



**Comando Generale dell'Arma dei Carabinieri**  
**IV Reparto - Direzione Lavori del Genio**  
*Reparto Lavori Genio (Area Sud)*

**PROGETTO ESECUTIVO**  
**LOTTO n.1**



**LOCALITA':**

**POTENZA - CASERMA "LUCANIA"**

**OGGETTO DEL LAVORO:**

Ristrutturazione degli ambienti interni dell'edificio "B" della Caserma "Lucania"  
Palazzina Comando - piani terra e secondo per la realizzazione delle sedi di: Nucleo Operativo Radio Mobile; Infermeria Presidiaria; Uffici dello SM/Serv. Amministrativo/Reparti Operativi; camere alloggiative per militari celibi. Rifacimento della cabina elettrica asservita all'intero compendio e relativi collegamenti elettrici

*Identificativo elaborato:*

**CSA**

**Capitolato Speciale d'Appalto**

**AMMINISTRATIVI**

**IL PROGETTISTA**  
(Arch. Pietro Ianero)

**IL COMANDANTE**  
(Col. t.SFP. g Donato Ing. Mazzaro)

*Visto: per la verifica e validazione*  
**IL RESPONSABILE DEL PROCEDIMENTO**  
**PER LA FASE DI PROGETTAZIONE**  
(Gen. B. Berardino Abbruzzese)

Codice Identificativo Gara (C.I.G.): 9305235AD5

Codice Unico di Progetto (C.U.P.): D32I17000070002

Rev.	Data	Descrizione	Redattore
00	Aprile 2023	Prima emissione	
01	Giugno 2023	Seconda emissione	
02	Luglio 2023	Terza emissione	
03	Dicembre 2023	Quarta emissione	

# Comando Generale dell'Arma dei Carabinieri

DBQKUP MBUP "TQFDKBMF"E (BQQBMUP

MP UUP "2

**OGGETTO;**

Sjt usvuvsbEjprof "ef hrjl bn c jf ouj" jof soj" ef mri ejgdj" "C" QbrtEjob" Dpn boep ef mto "Dbtf sn b" Mvdojb" jo" Vjlb" Djddpuj-" 3" b" Qpuf oEb/" Hrjl jof swf ouj sjhvbsef sboop"j"qjboj"uf ssa" f "tf dpoep-"qf s"ra"sf brjEjprof "ef mri"ovpwf "tf ej ef rhOvdrfp" P qf sbujvp" Sbejp" Npcjrn-" ef mri"og sn f sjb" Qsf tjejsjb" ef hrjl Vggdj ef mri"TN OTf sw" Bn n jojtusbujvpOSf qbsuj" P qf sbujvj" f "ef mri" dbn f sf "brmhhjbjwf qf s" n jrjbsj" df rjcj/" Sjdjdn f oup" ef mto" dbcjob" f rfuasjd" bt tf swjlb" brmouf sop dpn qf ejp" f "sf rduvj" dprmhbn f ouj" f rfuasjd/"MP UUP "2

**COMMITTENTE;**

Dpn boep" Hf of sbrf" ef mri" Sn b" ef j" Dbsbcjof sj". "KWSf qbsup" Ejsf Ejprof "ravpsj ef rHf ojp

**Codice CUP;**

E43K28111181113

**Codice CIG;**

aaaaaaaaaaaaaaaa

Spn b-"Ejdf n csf "3134

**IL TECNICO**

Bsdi /"Qjf usp" kbof sp

# CAPITOLO 1

## OGGETTO, FORMA E AMMONTARE DELL'APPALTO - AFFIDAMENTO E CONTRATTO - VARIAZIONI DELLE OPERE

### Art 1.1 OGGETTO DELL'APPALTO

Mbqqbrp" i b" qf s" phhf up" rfi tf dvEjpop" ej" wuf" rfi" pqf sf" f" qspwjt uf" pddpsf ouj" qf s" f tf hvjsf" f" ebsf dpn qrfubn f ouf "vrgn buj"j" rtwpsj"ej; **Ristrutturazione degli ambienti interni dell'edificio "B" Palazzina Comando della "Caserma Lucania" in Via Ciccotti, 2 a Potenza. Gli interventi riguarderanno i piani terra e secondo, per la realizzazione delle nuove sedi del Nucleo Operativo Radio Mobile, dell'Infermeria Presidiaria degli Uffici dello SM/Serv. Amministrativo/Reparti Operativi e delle camere alloggiative per militari celibi. Rifacimento della cabina elettrica asservita all'interno compedio e relativi collegamenti elettrici. LOTTO 1**

Tpop" dpn qsf tj" of mbqqbrp" wuj" j" rtwpsj" rfi" qsf t ubEjpoj" rfi" gsojw sf" f" rfi" qspwjt uf" of df ttbsjf" qf s" ebsf" jm rtwpsj" dpn qrfubn f ouf " dpn qjv up" tf dpoep" rfi" dpoejEjpoj" t ubc jrf" ebrhqsf tf ouf " dbajurub" t qf djbrfi" e (bqqbrp- dpo" rfi" dbsbuf sjt udi f" uf dojdi f" -" r vbrjubujw" f" r vboujubujw" qsf wjt uf" ebrhqsphf up" f tf dvujw" ef rtwpsj" sb" f" sf rtwpsj" brrhbuj" ef j" r vbrjubujw" bqqbrp" upsf " ejdi jbsb" ej" bw" s" qsf tp" dpn qrfub" f" e" f" t bub" dpopt df oE/

Tpop" bnsf tE dpn qsf tj" tf" sf df qj" ebn" TubEjpop" bqqbrp" ouf" -" j" n jhrjpsbn f ouj" f" rfi" qsf wjt jpoj" n jhrjpsbujw" f" bhjvujw" f" dpouf ovuf" of rtwpsj" sub" uf dojdb" qsf tf oubu" ebn" bqqbrp" upsf" -" tf oE" vnf sjpsj" pof sj" qf s" rfi" TubEjpop bqqbrp" ouf /

Mf tf dvEjpop" ef j" rtwpsj" a" tf n qsf" f" dpn vor vf" f" qf wubub" tf dpoep" rfi" sf hprfi" ef rtwpsj" f" rfi" bqqbrp" upsf" ef wf dpogpsn bstj" brrhbuj" n bttjn b" ejjmf oE" of rtwpsj" n qjn f oup" ef j" qspqj" pccrjmi j/

Bj" goj" ef rtwpsj" 4" d" 6" ef rtwpsj" M24703121" f" jrrDpejdf " jef oujdbujw" ef rtwpsj" hbsb" )DKH\* sf rtwpsj" brrhbuj" ouf svf oup" a \_\_\_\_\_ " f" jrrDpejdf " Vojdp" ej" Qsphf up" )DVQ\* ef rtwpsj" ouf svf oup" a **D32I17000070002/**

### Art 1.2 FORMA DELL'APPALTO

Krhqsf tf ouf "bqqbrp" a" ebu" b; **a Corpo** dpo" pgg sub" b **Offerta tecnica**

Of mbqqbrp" b" dpsqj" jrrdpssjt qf uijw" dpot jt uf" jo" vob" t pn n b" ef uf sn jobub" -" gttb" f" e" jowbsjbcjrfi" sjg sjub hrrcbm f ouf " brrhbuj" sb" of rtwpsj" dpn qrfubn p" wwf sp" brrhbuj" Dbuf hpsjf" ) p" Dpsqj" e (pqf sb" dpn qf ouj/

Of mbqqbrp" b" n jt vsb" -" jowf df" -" jrrdpssjt qf uijw" dpot jt uf" of rtwpsj" jwv bEjpop" ej" vo" qsf E" qf s" phoj" vojw" ej n jt vsb" ej" rtwpsj" Ejpop" p" ej" pqf sb" gojub" -" eb" bqqbrp" upsf " brrhbuj" r vboujubujw" f tf hvjuf " ej" rtwpsj" Ejpop" p" ej" pqf sb" / Qf subou- rjn qpsup" ej" vo" bqqbrp" b" n jt vsb" sjt vrb" wbsjbcjrfi/

Ko" rjof b" hf of sbrfi" -" tj" i boop" j" tf hvf ouj" dsjuf sj" ej" pgg sub" jo" c btf " brrhbuj" jqprrhjb" ej" bqqbrp;

Tipo di appalto	Criteri di offerta
B"NKTVSB	P qf sub" dpo" vojdp" sjc btt p
	P qf sub" b" qsf E" vojubsj
B"DP SQP	P qf sub" dpo" vojdp" sjc btt p
	P qf sub" b" qsf E" vojubsj
B"DP SQP " F" NKTVSB	P qf sub" b" qsf E" vojubsj

Of rtwpsj" cjup" ef rtwpsj" dpoubcjrfi" Ejpop" ej" ubrj" jqprrhjf" ej" bqqbrp" qptt pop" dpn vor vf" dpouf n qrrbstj" bodi f f wf oubrj" t pn n f" b" ejt qptjEjpop" qf s" rtwpsj" jo" f dpopn jb" -" rfi" dvj" dpoubcjrfi" Ejpop" a" ejt djqrj" ouf ebrh" t vdf ttjw b" sjdprp" **Opsn f "Hf of sbrj"** qf s" rfi" n jt vsbEjpop" f" wbrubEjpop" ef j" rtwpsj/

Mjn qpsup" b" c btf" ef rtwpsj" jwv bEjpop" qf s" rfi" tf dvEjpop" ef rtwpsj" rtwpsjEjpoj" ) dpn qsf otjw" ef rtwpsj" qf s rtwpsjEjpop" ef j" Qboj" ej" Tjdv sf E" a" tjouf uEjpop" dpn f" tf hvf ;

Quadro economico di sintesi	
b**Qf s'rbwpsj"b"DP SQP	Fvsp
c**Qf s'rbwpsj"b"N KTVSB	Fvsp"1/11
d**Qf s'rbwpsj"jo"FDPOP NKB	Fvsp"1/11
<b>Totale dei Lavori</b>	<b>Euro 4 591 448,76</b>
<i>di cui per costi della sicurezza</i>	Fvsp"32: "733-3:

Mb" tub€jpop" bqqbrnbouf " brhgof " ej" ef uf sn jobsf " rjn qpsup" ej" hbsb-" i b" joprusf " joejwjevbu" j" dptuj" ef nbn bopepqf sb"tvnbn"cbtf "ej"r vboup"qsf vjtup"bnbn"52-"d/"24" "25"ef rhr/hnt/"4703134/-"qf s"vo"upbrfr"ej"djsdb; **1 503 227,52**-"qbsj"br"42-56& "ef j"rbwpsj/

### Art 1.3 AMMONTARE DELL'APPALTO

Mjn qpsup" dpn qrfnttjvp" ef j" rbwpsj" ftdmtp" ej" pof sj" f e" KMB-" bn n poub" be" Fvsp" **4 811 071,05**" )Fvsp r vbuspnr jrjpojpuPDF oupvoejdn jrtf ubowop016\*/

Ubrfr" wbrpsf " à" ebup" ebrnbn qpsup" upbrfr" ef j" rbwpsj" qbsj" be" Fvsp" **4 591 448,76**" )Fvsp r vbuspnr jrjpojdr vf df oupopwbouopn jrtf vbuspdr oup vbouup087\*-"f " ebrnbn qpsup" upbrfr" ef hrjlpof sj" qf s" rbtjdvf €€b" )opo" tphhf uj" b" sjcbbtp\*-" bj" tf otj" ef nbn" 211" ef rhr/hnt/"9203119-" ej" Fvsp" **219 622,29**" )Fvsp evf df oupejdjboopwf n jrtf jdf oupw oujev f 03: \*/

Tpop" sjdpoptdjuj-" b" wbrpsf " tvnbn tpn n f" b" ejtqptj€jpop" ef nbn tub€jpop" bqqbrnbouf " joejdbuf " of j" r vbesj f dpopn jdj" ef nbn ouf swf oup" f "-" pwf " of dfttbsj-" vuj€boep" bodi f" rfr" f dpopn jf " ef sjwboj" ebj" sjcbbtj" e"btub-" j n bhjpsj" dptuj" ef sjwboj" ebrnbn ef hvbn foup" f " ebrnbn ouf hsb€jpop "-" eb" qbsu" ef rhdppsejobpsf " ef nbn" tjdvf €€b" jo dtf "ej" f tf dv€jpop "-" ef rhtjpop" ej" tjdvf €€b" f " dppsejobn f oup/

Mpqf sbpsf " f dpopn jdp" joejdb-" b" qf ob" ej" ftdmtjpop "-" j" dptuj" ef nbn n bopepqf sb" f " hrjlpof sj" b€j f oebrij" qf s rbn ef n qjn foup" ef nbn ejtqptj€jpoj" jo" n buf sjb" ej" tbrmf " f " tjdvf €€b" tvj" mphi j" ej" rbwpsf " f ddf up" di f " of nbn gsojwsv " tf o€b" qptb" jo" pqf sb" f " of j" tf sw€j" ej" obwsb" jof nbn upbrfr-" dpt ddn f " sdi jf tup" ebrnbn" 219-" d/": "-" ef m e/rht/"4703134/

M "dbuf hpsj" ej" rbwpsf " qsf vjtuf " of nbn bqqbrn "-" ftdmtj" hrjln qpsu" f rbwpsj" nbn" tjdvf €€b- " tpop" rfr" tf hvf ouj;

#### a) CATEGORIA PREVALENTE

Cod.	Descrizione	Importo (Euro)		
		in cifre	in lettere	%
<b>OG2</b>	<b>RESTAURO E MANUTENZIONE DEI BENI IMMOBILI SOTTOPOSTI A TUTELA AI SENSI DELLE DISPOSIZIONI IN MATERIA DI BENI</b>	3/737/39: -22	evf n jrjpojtf jdf oupwf outf jn jrbev f df oupou bopwf 022	68-31

#### b) CATEGORIE SCORPORABILI E SUBAPPALTABILI

Cod.	Descrizione	Importo (Euro)		
		in cifre	in lettere	%
<b>OS28</b>	<b>Impianti termici e di condizionamento</b>	994/474-61	puPDF oupoubusf n jrbusf df ouptf tt boubusf 06 1	2: -35

Cod.	Descrizione	Importo (Euro)		
		in cifre	in lettere	%
OS30	Impianti interni elettrici, telefonici, radiotelefonici e televisivi	2/192/8: 7-26	von jirjof pubowopn jrtbf uf df oupopwoubt f j026	34-67

K'rtwpsj"bqqbsuf of ouj"brn0f "dbuf hpsj0f "ejwf st b0f "eb"r vf rnt"qsf wbrfouf "dpo"j"sf rbtvj"jn qpsj-"t pop"sjqpsubj of rnt"bcf rnt"t pqs/"Ubrj"rtwpsj"t pop"t dpsqpsbcjrtf -"b"t df rnt"ef rnt"bqqbrntbupsf -"qsf wf oujwbn f ouf "bvupsj00bub"ebntb t ub0jpop " bqqbrntbousf -" qptt pop" f ttf sf " tvcbqqbrntbousf " tf dpoep" rnt" dpoej0jpoj" ef rntDpejdf " ef hijl bqqbrntj" f " ef m esj tf ouf "dbajurrtup"tqf djbrf/

Sf t ubop"ft dntj"ebntbqqbrntj"rtwpsj"di f "rnt"t ub0jpop "bqqbrntbousf "tj"sjt f swb"ej"bggebsf "jo"uwup"pe"jo"qbsuf "be bntb"ejub"tf o0b"di f "rnt"bqqbrntbupsf "qptt b"0sf "brntvob"fd df 0jpop "p"sjdi jf ef sf "dnp qf ot p"brntvop/

**Art. 1.4  
AFFIDAMENTO E CONTRATTO**

Ejwf ovub"fgjdbdf "rntbhjvejdb0jpop -"bj"tf otj"ef rntbsu/"28"d/"6"ef rnt/rnt/"4703134-"f "0up"t brnt"rnt tf sdj0j"ef j qpuf sj"ej"bvupwf rnt"jrt0pousbup"vjf of "t uqvrntup"j"t vddf ttvj"71"hjpsoj-"bodi f "jo"qf oef o0b"ej"dpouf o0jpt p-"t brntvop ejwf st p"uf sn jof ;

- 2/ qsf vjt up"of rnt boep"p"of rntjovjup"b"pggsj f <
- 3/ of rntjapuf tj"ej"ejgf sjn f oup"dpodpsebup"dpo"rntbhjvejdbubsjp" f "n pujwub"jo"cbt f "brntjof sf ttf "ef rnt t ub0jpop "bqqbrntbousf "p"ef rnt"ouf "dpodf ef ouf <
- 4/ of rntdbt p"ej"sjdpst p" f "b"t f hvjup"ej"opujgdb0jpop "ef rntj lbo0b"dbvuf rntsf -"jrt0pousbup"opo"qvi "f ttf sf t uqvrntup"of j"uf sn joi"t pqs"joejdbj-"gop"b"r vboep"opo"t bsl"qvccrntbup"jrt0spwfw ejn f oup"dbvuf rntsf "ej qsjn p"hsbep"p"jrt0jpt jujwp"p"rnt"t f ouf o0b"ej"qsjn p"hsbep-"jo"dbt p"ej"ef djt jpop "ef rnt f sjup"brntvejf o0b dbvuf rntsf ")bsu"29"d/"3-"rntu"b" \*f "d/"5"ef rntdpejdf \* <
- 5/ ej"dpousbuj"ej"jn qpsup"jogf sjpsf "brnt"t phrjfi "f vspqf f -"bj"tf otj"ef rntbsu/"66-"d/"3"ef rntdpejdf /

K'rt0pousbup-"jo"phoj"dbt p-"opo"vjf of "t uqvrntup"qsjn b"ej"46"hjpsoj"ebntjovjup"ef rntvrtjn b"ef rnt"dpn vojdb0jpoj ef rnt0spwfw ejn f oup"ej"bhjvejdb0jpop /"Ubrf"uf sn jof "ejrtupsj"opo"tj"bqqbrntb"of j"dbtj;

- 2/ ej" qspdf evsb" jo" dvj" à" t ubub" qsf tf oubub" p" bn n fttb" vob" tprnt" pgf sub" f " opo" tpop" t ubuf uf n qf t uqvrntup" f ouf "qspqpt uf "jn qvhob0jpoj"ef rnt boep"p"ef rnt"rntu"sb"ej"jovjup-"p"rnt"jn qvhob0jpoj"t pop hjU"t ubuf "sf tqjouf "dpo"ef djt jpop "ef goj jwb <
- 3/ ej"bqqbrntj"cbt buj"t v"vo"b ddpsep"r vbesp <
- 4/ ej"bqqbrntj"tqf djgdj"cbt buj"t v"vo"t jt uf n b"ejobn jdp"ej"bdr vjt 0jpop <
- 5/ of rntdbt p"ej"sjdpst p" f "b"t f hvjup"ej"opujgdb0jpop "ef rntj lbo0b"dbvuf rntsf -"jrt0pousbup"opo"qvi "f ttf sf t uqvrntup"of j"uf sn joi"t pqs"joejdbj-"gop"b"r vboep"opo"t bsl"qvccrntbup"jrt0spwfw ejn f oup"dbvuf rntsf "ej qsjn p"hsbep"p"jrt0jpt jujwp"p"rnt"t f ouf o0b"ej"qsjn p"hsbep-"jo"dbt p"ej"ef djt jpop "ef rnt f sjup"brntvejf o0b dbvuf rntsf ")bsu"29"d/"3-"rntu"b" \*f "d/"5"ef rntdpejdf \* <
- 6/ ej"dpousbuj"ej"jn qpsup"jogf sjpsf "brnt"t phrjfi "f vspqf f -"bj"tf otj"ef rntbsu/"66-"d/"3"ef rntdpejdf /

Tf "jrt0pousbup"opo"vjf of "t uqvrntup"of j"uf sn joi"t pqs"joejdbj-"qf s"0up"jn qvbcjrtf"brnt"t ub0jpop "bqqbrntbousf - rntbhjvejdbubsjp" qvi " t djphrjfi stj" eb" phoj" vjodpnt" dpousbuwbrfnt" p" 0s" dpot ububsf " jrt0jrt0j0j" jobef n qjn f oup n f ejb0f "bup"opujgdbup/"Ko"ubrntdbt p"brntbhjvejdbubsjp"opo"tqf ub"brntvob"joef o0j00p-"t brntvop"jrt0jrt0j cpst p"ef rnt tqf tf "dpousbuwbrij

Mbhjvejdb0jpop "qvi "f ttf sf "t f n qsf "sf wpcub"of rntdbt p"ej"n bodub"t uqvrntup"ef rnt0pousbup"of rnt sn jof "gtt bup qf s"0up"jn qvbcjrtf"brntbhjvejdbubsjp/

Brnt pn f oup"ef rnt"t uqvrntup"ef rnt0pousbup"rntbqqbrntbupsf "à"uf ovup"b"wf st bsf "vojn qpt ub"eb"cpnt"ej" f vsp"361- tf dpoep"r vbop"joejdbup"of rnt"bcf rnt"ej"dvj"brntbhjvejdbub"K5"ef rntE/Mnt/"4703134-"ej"t f hvjup"sjqpsubj/

Fascia di importo contratto (valori in euro)	Imposta (valori in euro)
= "51/111	f t f ouf
≥ "51/111" = "261/111	51
≥ "261/111" = "2/111/111	231
≥ "2/111/111" = "6/111/111	361
≥ "6/111/111" = "36/111/111	611

**Art. 1.5  
FORMA E PRINCIPALI DIMENSIONI DELLE OPERE**

Mb" gpsn b" f " rñ" ejn f otjpoj" ef rññ" pqf sf -" phhf up" ef rññ" bqqbrp-" sjt vrbop" ebj" ejt f hoj" brññhby" brñdpousbup-  
sf ebuj"jo"dpogpsn jU"brññ"opsn f "VOK"vjhf ou"jo"n buf sjb/"Koprusf "w uf "rñ"joejdbEjpoj"ej"hsboef EEB"qsf tf ouj"tvhrjn  
f rñc psbj"ej"qspfh up"t pop"dpogpsn j"brññ"opsn f "VOK'DFK'KTP"91111.2" f "VOK'DFK'KTP"91111.7/

Ej"tf hvjup"tj"sqpsub"vob"ef tdsjEjpoj" tpn n bsjb"ef rññ"pqf sf "dpo" rññ"joejdbEjpoj" ef rññ" rñcbrjU" f "rñ"qsjodjqrjn  
ejn f otjpoj;

Kññpup"goEjpojbrñ"o/2-"phhf up"ef rññ"qsf tf ouf "bqqbrp-"qsf wf ef "j"rñwpsj"ej"sjt usvuw sbEjpoj" ef rññ" dpoep"qjbop-  
ef rññ"pupuf up-"ef rññ"bsf f "f t uf sof "f "ef j" dpsaj"t dbrñ-"qf s"vo"jn qpsup"eb"r vbesp" f dpoen jdp" hf of sbrñ" qbsj" b  
%/6/71: /725-22/" Ej" dpotf hvf oEB" sf t ubop" f t dmtj" ebrñpup" o/2" j" rñwpsj" ej" sjt usvuw sbEjpoj" ef rññ" qpsEjpoj" ef m  
qjbop" uf ssb-"rñ"t pt ujuEjpoj" ef "w u j" hrñjogt t j" f t uf soj-"rñ" gsojuw sb" ef j" hsqaj" ej" dpoujovjU" b" t f swEjpoj" ef j" Sbd " ej  
t f upsf "brñqjbop" f "rñ" gsojuw sf "ef rññ" VUB" qsf vjt uf "qf s" jññ" f swEjpoj" Bn n jojt usbuyp-" Mphjt ujd" f " Boujdsjn jof /" Dpo" jm  
rñpup" o/3" ej" dñ qññbn f oup-" opo" phhf up" ef rññ" qsf tf ouf "bqqbrp-" tbsboop" dñ qññbu j" j" rñwpsj" opo" qsf vjt u j" of m  
rñpup" goEjpojbrñ" o/2/

Of rññ" t qf djgdp;

" . " brñqjbop" t f dpoep-" tbsboop" sf brññ" bn c jf ouj" eb" ef t u jobsf " be" vggdj" qf s" jññ" f swEjpoj" Mphjt ujd" qf s" jm  
Tf swEjpoj" Bn n jojt usbuyp-" qf s" rñ" T f E j p o f " Boujdsjn jof -" qf s" hrñlvggdj" Opf " f " rñ" Dbn f s f uf " brññhbjuyw" qf s" n jññbsj  
d f rñc j <

" . " brñ qjbop" t p u p u f u p " t b s b o o p " b r ñ ñ h j b u f " r ñ " v o j u " e j " u s b u b n f o u p " b s j b " e f h r ñ j n q j b o u j " e j  
s j t d b r e b n f o u p d p o e j E j p o b n f o u p " b " t f s w E j p o j " e f h r ñ b n c j f o u j " q j b o p " u f s s b " f " t f d p o e p " p h h f u p " e j " s j t u s v u w s b E j p o j /  
Q f s " p h o j " v r ñ s j p s f " t q f d j g d b " t j " s j n b o e b " b r ñ ñ " S U H a " S f r ñ E j p o j " U f d o j d b " H f o f s b r ñ i " . M p u p " 2 /

**Art. 1.6  
MODIFICHE E VARIANTI IN CORSO DI ESECUZIONE**

Kññdpousbup"ej"bqqbrp-"bj"tf otj"ef rññ"231"ef rññ"/4703134-"vjf of "n pejgdbup"tf oEB"sjdpsf sf "be"vob  
ovpwb"qspdf evsb"ej"bggebn f oup"tf ;

b/"rñ"n pejgdi f "t pop"qsf vjt uf "jo"drñvt prñ"qsf djt f "f e"jof r vjwpdbcjññ"of j"epdvn f ouj"ej"hsb"jojEjbrñ"bodi f "jo  
drñvt prñ"ej"pqEjpoj \* <

c/"tj"sf oepop"of df tt bsj" rñwpsj" t v q q r ñ n f o u b s j " o p o " j o d m t j " o f r ñ b q q b r p " j o j E j b r ñ " q f s " j " r v b r j l v o " d b n c j b n f o u p  
ef rññ"pousbf ouf " sjt vrb" jn qsbujdbcjññ" qf s" n p u j v j " f d p o p n j d j " p " u f d o j d j -" p " d p n q p s u j " o p u f w p r j l e j t b h j " p " v o  
j o d s f n f o u p " e f j " d p t u j " q f s " r ñ " t u b E j p o j " b q q b r ñ b o u f " " " " i n q u e s t o c a s o i l c o n t r a t t o p u ò e s s e r e m o d i f i c a t o s o l o  
s e l ' a u m e n t o d i p r e z z o n o n e c c e d e i l 5 0 % d e l v a l o r e d e l c o n t r a t t o i n i z i a l e ( l a l i m i t a z i o n e s i a p p l i c a a l  
v a l o r e d i c i a s c u n a m o d i f i c a n e l c a s o d i p i ù m o d i f i c h e s u c c e s s i v e ) <

d/"tj"sf oepop"of df tt bsj" "n pejgdi f "jo"dpst p"ej"tf dvEjpoj" "b"dbvt b"ej" djsdpt uoEB" jn qsf wf e j c j j l e b " q b s f  
ef rññ" t u b E j p o j " b q q b r ñ b u f " e f o p n j o b u f " w b s j b o u j " j o " d p s t p " e " p q f s b " " S j f o u s b o p " j o " r v f t u f " d j s d p t u o e B " o v p w f  
e j t q p t E j p o j " r h j t r u j w f " p " s f h r ñ b n f o u b s j " p " q s p w w f e j n f o u j " t p q s b w w f o v u j " e j " b v u p s j u " p " f o u j " q s f q p t u j " b r ñ ñ  
u f r ñ " e j " j o u f s f t t j " s j r ñ w b o u j " " " " i n q u e s t o c a s o i l c o n t r a t t o p u ò e s s e r e m o d i f i c a t o s o l o s e l ' a u m e n t o d i  
p r e z z o n o n e c c e d e i l 5 0 % d e l v a l o r e d e l c o n t r a t t o i n i z i a l e ( l a l i m i t a z i o n e s i a p p l i c a a l v a l o r e d i c i a s c u n a  
m o d i f i c a n e l c a s o d i p i ù m o d i f i c h e s u c c e s s i v e ) <

e/"vo"ovpwp"dpousbf ouf "t pt ujujt df "rññh jve jdbusj" ef rññ" bqqbrp" of rññ" t p " e j ;

- n pejgdi f "t phhf u j w f " j n q r j a l b o u j " r ñ " t p t u j u E j p o j " e f r ñ ñ p o u s b f o u f " p s j h j o b s j p " q s f v j t u f " j o " d r ñ v t p r ñ  
d i j b s f -" q s f d j t f " f e " j o f r v j w p d b c j r j l o f j " e p d v n f o u j " e j " h s b <
- t v d d f t t j p o f " e j " v o " b r ñ p " p q f s b u p s f " f d p o p n j d p " d i f " t p e e j t g " h r ñ j o j E j b r j l d s j u f s j " e j " t f r ñ E j p o j " \* " q f s  
d b v t b " e j " n p s f " p " j o t p m r f o e b " p " b " t f h v j u p " e j " s j t u s v u w s b E j p o j " t p d j f u b s j f " e f r ñ ñ h j v e j d b u s j p -" q v s d i è  
d j i " o p o " j n q r j a l j " v r ñ s j p s j " n p e j g d i f " t p t u b o E j b r j l b r ñ ñ p o u s b u p " f " o p o " t j b " g o b r j e b u p " b e " f r ñ e f s f  
r ñ b q q r j a l E j p o j " e f r ñ ñ p e j d f " ) t b r ñ p " b s u " 2 3 5 " e f r ñ ñ p e j d f \* <
- b t t v o E j p o j " e f h r ñ j p c c r j m i j " e f r ñ ñ p o u s b f o u f " q s j o d j q b r ñ i " e b " q b s f " e f r ñ ñ " t u b E j p o j " b q q b r ñ b o u f " o f j  
d p o g s p o u j " e f j " t v p j " t v c b q q b r ñ b u s j /

f /"jññwbrpsf"ef rññ"n pejgdb"à"brñej"t p u p"ef rññ"t phrñ"ej"sjrñwboEB" f vspqf b"ej"dvj"brññ"25"ef rññ"pejdf <

g/"jññwbrpsf"ef rññ"n pejgdb)1\* à="26"& "ef rññwbrpsf"jojEjbrñ"ef rññ"dpousbup/

"h/"rñ"n pejgdi f "opo"t pop"t pt uoEjbrj2\*/

M "n peigdi f " f " rñ" wbsj bouy" tpop" bvupsjēēbūf " ebrñSVQ" t f dpoep" r vbouy" qsf vjt up" ebrñpsejobn f oup" ef rñb tubēj pof " bqqbrñbouf -" t f oēb" of df ttjū" ej" qspdf ef sf " be" vob" ovpw b" qspdf evsb" ej" bgjebn f oup" f " qv sdi à" rñb t usvuw sb" ef rñdpousbup" f " rñqf sbēj pof " f dpopn jdb" be" f ttp" dprññhbub" sjn bohobp" jobrñf sbūf /

Tf "jo" dpst p" ej" f t f dvēj pof " t j" s f oef " of df ttbsj p" vo" bvn f oup" p" vob" ejn jovej pof " ef rññ" qsf tubēj pof" gop" b dpodpsf oēb" ej" 206" ef rññ qpsup" dpousbūw brññ<sup>3\*</sup> -" rñb" tubēj pof " bqqbrñbouf " qvī " jñ qpsf " bññbqqbrñbupsf " rññ t f dvēj pof ef rññ" qsf tubēj pof" bññ" dpoejēj pof" psjh jobsjbn f ouf " qsf vjt uf /" Ko" r vf t up" dbt p" rñbqqbrñbupsf " opo" qvī " gbs" wbrñsf " rñb sjt p mēj pof " ef rñdpousbup /

Kñdpousbup" à" t f n qsf " n pejgdbcj rññ" bj" t f otj" ef rññbsy" : )<sup>4\*</sup> ef rñdpējdf " f " of rñsjt qf up" ef rññ dñv t p rññ" ej sjof hpēj bēj pof /" Of rñdbt p" jo" dvj" r vf t uf " opo" t j bop" qsf vjt uf -" rñb" sdi jf t ub" ej" sjof hpēj bēj pof " w b" bwboēbub" t f oēb s j b s e p " f " opo" h j v t u j g d b -" e j " q f s " t è -" r ñ b " t p t q f o t j p o f " e f r ñ ñ t f d v ē j p o f " e f r ñ d p o u s b u p /" KñSVQ" qspw f ef " b" g p s n v r ñ s f r ñ b " q s p q p t u b " e j " v o " o v p w p " b d d p s e p " f o u s p " v o " u f s n j o f " o p o " t v q f s j p s " b " 4 " n f t j /" O f r ñ d b t p " j o " d v j " o p o " t j " q f s w f o h b " b m o v p w p " b d d p s e p " f o u s p " v o " u f s n j o f " s b h j p o f v p r ñ -" r ñ b " q b s f " t w b o u b h h j b u b " q v i " b h j s f " j o " h j v e j ē j p " q f s " p u f o f s f r ñ b e f h v b n f o u p " e f r ñ d p o u s b u p " b r ñ ñ r v j r c s j p " p s j h j o b s j p -" t b r w b " r ñ b " s f t q p o t b c j r j u l " q f s " r ñ b " v j p r b e j p o f " e f r ñ p c c r j h p " e j s j o f h p ē j b e j p o f /

Of j" dbt j" ej" n pejgdb" ef rñdpousbup" qsf vjt u j" bññ" rññ u f s f " c \* f " d \* -" r ñ b " t u b ē j p o f " b q q b r ñ b o u f " q v c c r j a b " v o " b w j t p " e j j o u f s w f o v u b " n p e j g d b " t v r ñ b " H b e e f u b " v g g d j b r ñ " e f r ñ b " S f q v c c r j a b " j u b r j b o b /

KñSVQ" d p n v o j d b " f " u s b t n f u f " b r ñ b O B D " r ñ ñ " n p e j g d i f " p " w b s j b o u y " j o " d p s t p " e ( p q f s b " e f r ñ d p o u s b u p " j o e j v j e v b u j /" O f m d b t p " j o " d v j " r ñ b O B D " b d d f s u j " r ñ ñ h j u j n j u l " e f r ñ b " w b s j b o u f " j o " d p s t p " e ( p q f s b " b q q s p w b u b -" f t f s d j u b " j " q p u f s j " e j " d v j " b r ñ b s y / 333" e f r ñ d p e j d f /" Ko" d b t p " e j " j o b e f n q j n f o u p " b h r j l p c c r j h i " j " e j " d p n v o j d b e j p o f " f " u s b t n j t j p o f " e f r ñ ñ " n p e j g d i f " f " e f r ñ ñ " w b s j b o u y " j o " d p s t p " e ( p q f s b " q s f v j t u j " e b r ñ b r ñ ñ h b u p " K / 25 ) <sup>5\*</sup> e f r ñ d p e j d f -" t j " b q q r j a b o p " r ñ ñ " t b o e j p o j " b n n j o j t u s b u j w f q f d v o j s j f " e j " d v j " b r ñ b s y " 333 -" d / " 24 " e f r ñ d p e j d f /

M "wbsj bēj pof" tpop" wbrñbub" jo" c b t f " b j " q s f e e j " e j " d p o u s b u p " b j " t f o t j " e f r ñ b r ñ ñ h b u p " K / 25 " b s y " 6 " d / 8 " f " 9 -" u w b v j b - t f " d p n q p s u b o p " d b u f h p s j f " e j " r ñ w p s b e j p o j " o p o " q s f v j t u f " p " t j " e f c c b o p " j n q j f h b s f " n b u f s j b r j l q f s " j " r v b r j l o p o " s j t v r ñ b g i t t b u p " j r ñ q s f e e p " d p o u s b u w b r ñ -" t j " q s p w f e f " b r ñ b " g p s n b e j p o f " e j " o v p w j " q s f e e j /" K " o v p w j " q s f e e j " e f r ñ ñ " r ñ w p s b e j p o j " p n b u f s j b r j l t p o p " w b r ñ b u j ;

- e f t v n f o e p r j l e b j " q s f e e b s j " e j " d v j " b r ñ b s y " 52 " e f r ñ d p e j d f -" p w f " f t j t u f o u j <
- s j d b w b o e p r j l u p u b m f o u f " p " q b s e j b m f o u f " e b " o v p w f " b o b r j u j " f g f u w b u f " b w f o e p " b " s j g f s j n f o u p " j " q s f e e j f r ñ ñ f o b s j " e j " n b o p " e " p q f s b -" n b u f s j b r j l o p r j l f " u s b t q p s u j " b r ñ b " e b u b " e j " g p s n v r ñ b e j p o f " e f r ñ p g f s u b - b u s b w f s t p " v o " d p o u s b e e j u p s j p " u s b " j r ñ e j s f u p s f " e f j " r ñ w p s j " f " r ñ ñ t f d v u p s f -" f " b q q s p w b u j " e b r ñ b S V Q /

R v b r p s b " e b j " d b r d p r j l f g f u w b u j " s j t v r j o p " n b h h j p s j " t q f t f " s j t q f u p " b r ñ ñ " t p n n f " q s f v j t u f " o f r ñ r v b e s p " f d p o p n j d p -" j q s f e e j -" q s j n b " e j " f t t f s f " b n n f t t j " o f r ñ b " d p o u b c j r j u l " e f j " r ñ w p s j -" t p o p " b q q s p w b u j " e b r ñ b " t u b e j p o f " b q q b r ñ b o u f -" t v q s p q p t u b " e f r ñ S V Q /

Tf " r ñ ñ t f d v u p s f " o p o " b d d f u b " j " o v p w j " q s f e e j " d p t e ' e f u f s n j o b u j " f " b q q s p w b u j -" r ñ b " t u b e j p o f " b q q b r ñ b o u f " q v i j o h j v o h f s h r j l r ñ ñ t f d v e j p o f " e f r ñ ñ " r ñ w p s b e j p o j " p " r ñ b " t p n n j o j t u s b e j p o f " e f j " n b u f s j b r j l t v r ñ b " c b t f " e j " e f u j " q s f e e j - d p n v o r v f " b n n f t t j " o f r ñ b " d p o u b c j r j u l < p w f " r ñ ñ t f d v u p s f " o p o " j t d s j w b " s j t f s w b " o f h r j l b u j " d p o u b c j r j " j " q s f e e j " t j j o u f o e p o p " e f g o j j v b n f o u f " b d d f u b u j /





# CAPITOLO 2

## DISPOSIZIONI PARTICOLARI RIGUARDANTI L'APPALTO

### Art. 2.1

#### OSSERVANZA DEL CAPITOLATO SPECIALE D'APPALTO E DI PARTICOLARI DISPOSIZIONI DI LEGGE

Kfhdqjuprbup" t qf djbrn" e(bqqbrp" à" ejvjt p" jo" evf " qbsj-" vob" dpouf of ouf " r" ef tdsjēpof " ef rñ" rāwpsbēpof" f rñob" r" t qf djbēpof " ef rñ" qsf t dsjēpof" f dojdi f " f " ef rñ" qsf t bēpof" f ttp" jmt usb" jo" ef ubhrj;

- of rñ" qsjn b" qbsf " uuj" hñf rñn f ouj" of df ttbsj" qf s' vob" dñn qjvub" ef gojēpof " f dojdb" f e f dpopn jdb" ef rñphf up" ef rñbqqbrp-" bodi f " b" jof hsbēpof " ef hñ" bt qf uj" opo" qj obn f ouf ef evdj jñ" ebhñf rñcpsbj" hsbgdj" ef rñqsf up" f tf dvjwp<
- of rñ" tf dpob" qbsf " rñ" n pebrñ" j" ej" f tf dvēpof " f " rñ" opsn f " ej" n jtvsbēpof " ej" phoj" rāwpsbēpof -" j sf r vjt j" ej" bdf ubēpof " ej" n buf sbrñ" f " dñn qpof ouj- " rñ" t qf djbdi f " ej" qsf t bēpof " f " rñ" n pebrñ" j" ej" qspw" opodi è- " pwf " of df ttbsj- " jo" sf rñēpof " bñ" n dñsbu f sjt ydi f " ef rñ" ouf svf oup- " rñ" psejof " eb f of stj" of rñ" t vprñj n f oup" ej" t qf djbdi f " rāwpsbēpof" f of rñ" dbt p" jo" dvj" jñ" qsf up" qsf wf ef " rñ" qj hñp ej" dñn qpof ouj" qsf dñc sdbj- " of " t pop" qsf dñt bu f " rñ" dñsbu f sjt ydi f " qsjodj qbrñ" ef t dsjujw" f qsf t ubēpobrñ" rñ" epdv n f oubēpof " eb" qsf tf oubs" jo" psejof " bñ" n prphbēpof " f " bñ" t jup" ej" qspw ej" rñcpsbupsj" opodi è" rñ" n pebrñ" j" ej" bqqspwbēpof " eb" qbsf " ef rñ" ejs upsf " ef j" rāwpsj- " tf ouj p" jñ qsf up" jñ" t b- " qf s" btt jdv ssof " rñ" sjt qpoef oēb" bñ" n t df rñ" qsf up" vbrñ

Mbqqbrp" à" t phhf up" bñ" t bub" pttf swboēb" ej" uuf " rñ" dpoejēpof" t bñc jñ" f " of rñ" qsf tf ouf " Dbqjuprbup" Tqf djbrn e(Bqqbrp" f " of rñ" Dbqjuprbup" Hf of sbrñ" e(Bqqbrp/

Mbqqbrpupsf " à" u ovup" bñ" n qj ob" f " ejs ub" pttf swboēb" ej" uuf " rñ" opsn f " vñf ouj" ef sjwouj" tjb" eb" rñhñ" di f eb" ef dsf j- " dñsdrñs" f " sf hprñn f ouj" dpo" qbsj dñrñs" sjhvseb" bj" sf hprñn f ouj" f ejrñ" e" hñf of -" ej" qprñ" vscbob- ef j" dbwj" t usbebrñ" bñ" n opsn f " tvrñ" dñsdrñs" f " t usbebrñ- " b" r vñ" rñ" t vñ" t jdv sf ēēb" f e" hñf of " ef rñ" wpsp" vñf ouj" bñ n pn f oup" ef rñ" t dvēpof " ef rñ" p qf s" ) tjb" qf s' r vobup" sjhvseb" jñ" qf stpobrñ" ef rñ" Mbqqbrpupsf " t f ttp- " di f " ej f wf oubrñ" t vcbqqbrpupsj- " dpujn jt u" f " rāwpsbupsj" bvupopn j\* " bñ" n ejt qpt jēpof" jñ qbsujf " ebñ" n BVTM" bñ" n opsn f DFK" VOK" DOS/

E pwsboop" joprusf " f ttf sf " pttf swb f " rñ" ejt qpt jēpof" ej" dvj" brñe/rñt/"9203119-" jo" n buf sjb" ej" uuf rñ" ef rñ" t bñ" f " ef rñ" t jdv sf ēēb" of j" mphi j" ej" rāwpsp- " ej" tf hobrñ" jdb" ej" t jdv sf ēēb" t vñ" rñt up" ej" rāwpsp- " opodi è" rñ" ejt qpt jēpof" ej dvj" brñe/Q/D/N/"2" n bēp" 2 : 2" sjhvsebouj" j" qñ jñ" n bttjn j" ej" f t qpt jēpof " brñ" svn psf " of hñ" bn cñf ouj" bcjubujw" f of rñ" n cñf ouf " f t f sop% bñ" n M5580: 6") M hñf " r vbesp" tvrñ" or vjobn f oup" bdv t jdp" \*f " sf rñ" uujw" ef dsf j" buwbujw" -" bñ e/n "4803119") Sf hprñn f oup" dpodf sof ouf "/// bujvjb( " ej" jot ubrñ" ēpof " ef hñ" jñ qjboj" bñ" ouf sop" ef hñ" f ejgdj\* " bñ e/rñt/"26303117") Opn f " jo" n buf sjb" bn cñf oubrñ" \*f " bñ" n brñs " opsn f " vñf ouj" jo" n buf sjb/

### Art. 2.2

#### DOCUMENTI CHE FANNO PARTE DEL CONTRATTO E DISCORDANZE

Tpop" qbsf " jof hsof " ef rñ" dpousbup" ej" bqqbrp- " prñs " brñ" qsf tf ouf " Dbqjuprbup" t qf djbrn" e(bqqbrp- " jñ" Dbqjuprbup hf of sbrñ" e(bqqbrp- " ej" dvj" brñe/n /"25603111" qf s' r vobup" opo" jo" dpousbt up" dpo" jñ" qsf tf ouf " dbqjuprbup" p" opo qsf vjt up" eb" r vñ" t vñ" jñ p- " f " rñ" t f hvf ouf " epdv n f oubēpof ;

- b\* rñ" rñodp" ef j" qsf ēēj" vojbsj- " pwf sp" jñ" rñ" pevñ" dñn qjrbup" f " qsf tf oup" ebñ" Mbqqbrpupsf " jo" dbt p" ej" p qf sub qsf ēēj<
- c\* jñ" rñ" spopqspñsbn n b<
- d\* rñ" qprñ" ēēf " ej" hsbōējb<
- e\* jñ" Qj bop" ej" Tjdv sf ēēb" f " ej" Dppsej obn f oup" f e" j" qjboj" ej" dvj" bñ" psj/"211" ef rñe/rñt/"o/"9203119" f " t/n /j/<
- f \*rñ" wf oubrñ" p qf sub" f dojdb" ef rñ" Mbqqbrpupsf -" jo" dbt p" ej" qspdf evsb" dpo" P FQW" di f " rñ" qsf wf eb<
- g\* j" t f hvf ouj" f rñcpsbj" ej" qsf up" ef rñ" MP UUP "2;

	AMMINISTRATIVI	
2/	DBQJUP MBUP "TQF DKBMF" E" BQQBMUP	CSA
3/	SFMB[ KP OF" DBN	R-CAM
4/	SFMB[ KP OF" HF TU KP OF" E FMF" N BUFSKF	RGM
5/	QBOP "E K'N BOVUFO[ KP OF" E FMMP QFSB	PMO

6/	QBOP "E KTKDVSF [ [ B" F" DP P SE KOB NFOUP ") MBZP VU" E K'DBOUKFSF "" GBTDKD MP EFMMP QFSB "" BOBMKTKEFKSKTDI K*	PSC
7/	DSP OP QSP HSBNN B" MBWPSK	CRP
8/	DP NQVUP "N FUSKDP "FTUKNBUKAP "MBWPSK	CMEL
9/	DP NQVUP "N FUSKDP "FTUKNBUKAP "TKDVSF [ [ B	CMES
:/	BOBMKTQSF [ [ K	AP
21/	FMFODP "QSF [ [ K	EP
22/	TUKNB" MBWPSK	SL
23/	KODKEFO [ B" EFM B" NBOPEP QFSB	IM
24/	RVBESP "FDP OP N KDP "HFOFSBMF	QEG
25/	TDI FN B" E K'DP OUSBUUP	SC

<b>ARCHITETTONICO</b>		
26/	SFMB [ KP OF "UFDOKDB" HFOFSBMF	RTG
27/	BOUF "P QFSB Na QMBOKN FUSK B" HFOFSBMF ; "BSFF" E "KOUFSWFOUP	01PL
28/	BOUF "P QFSB Na SKMFVP "UP QP HSBGDP "F" QMBOKN FUSK B" HFOFSBMF "TP UUP TFSW [ K	02PL
29/	BOUF "P QFSB Na QMBOKN FUSK B" HFOFSBMF "CP OKGDB" P SE KHOK "CFMMDK	03PL
2:/	BOUF "P QFSB Na QMBOKN FUSK B" HFOFSBMF "VCKDB [ KP OF "VUFO [ F. KN QBOUK	04PL
31/	BOUF "P QFSB Na QBOP "TFDP OEP -"RVP UBUP -"N BUFSKBM" F" BCBDP "TFSSBNFOUK	01AR
32/	BOUF "P QFSB Na QBOP "TP UUP UFUUP -"RVP UBUP "F" N BUFSKBM	02AR
33/	BOUF "P QFSB Na QSP TQFUUK" F" TF [ KP OK "RVP UBUP "F" N BUFSKBM	03AR
34/	QP TU "P QFSB Na QBOP "TFDP OEP -"RVP UBUP -"N BUFSKBM" F" BCBDP "TFSSBNFOUK	04AR
35/	QP TU "P QFSB Na QBOP "TP UUP UFUUP -"RVP UBUP -"N BUFSKBM" F" BCBDP "TFSSBNFOUK	05AR
36/	QP TU "P QFSB Na TF [ KP OK "RVP UBUP "F" N BUFSKBM	06AR
37/	QP TU "P QFSB Na QBOP "UFSSB" F" TFDP OEP -"DP OUSP TP GGJUK	07AR
38/	QP TU "P QFSB Na QBOP "UFSSB" F" TFDP OEP -"QBSFUK	08AR
39/	QP TU "P QFSB Na QBOP "UFSSB" F" TFDP OEP -"UKOP MP HKB "QBWN FOUK" F" WFTQBK	09AR
3:/	QP TU "P QFSB Na TDBM" 2-"3-4" F" 5-"RVP UBUP -"N BUFSKBM" F" BCBDP "TFSSBNFOUK	10AR
41/	QP TU "P QFSB Na QBOP "UFSSB" F" TFDP OEP "F" TP UUP UFUUP aE FNP M [ KP OK "F" SKDP TUSV [ KP	11AR
42/	QP TU "P QFSB Na QBOP "UFSSB" F" TFDP OEP -"SBQQP SUK" B FSP KMM/N KOBOUK	12AR
43/	QP TU "P QFSB Na QMBOKN FUSK B" HFOFSBMF "TDBW" DBWKE P UUK "KN QBOUK" F" UVCB [ KP OK GP HOBSK	13AR
44/	BOUF "P QFSB Na QBOUB" DP QFSUVSF	14AR

<b>IMPIANTI ELETTRICI</b>		
45/	QP TU "P QFSB Na QMBOKN FUSK B" HFOFSBMF aTDBW" KN QBOUK	001IE
46/	QP TU "P QFSB Na QMBOKN FUSK B" HFOFSBMF "DBWKE P UUK	00IE
47/	QP TU "P QFSB Na QBOP "TFDP OEP aKN QBOUK" KMM/N KOB [ KP OF "F" GN	01IE
48/	QP TU "P QFSB Na QBOP "TFDP OEP aKN QBOUK" KMM/N KOB [ KP OF "F" GN aVGGDKP "MP HKTUKDP	01IEa
49/	QP TU "P QFSB Na QBOP "TFDP OEP aKN QBOUK" KMM/N /"F" GN aTFSW [ KP "BN N KOKTUSBUKAP	01IEb
4:/	QP TU "P QFSB Na QBOP "TFDP OEP aKN QBOUK" KMM/N /"F" GN aTF [ KP OF "BOUKDSKN KO	01IEc
51/	QP TU "P QFSB Na QBOP "TFDP OEP aKN QBOUK" KMM/N KOB [ KP OF "F" GN aDBN FSFUUF	01IEd
52/	QP TU "P QFSB Na QBOP "TFDP OEP aKN QBOUK" KMM/N KOB [ KP OF "F" GN aVGGDKP "OP F	01IEe
53/	QP TU "P QFSB Na QBOP "TP UUP UFUUP aKN QBOUK" KMM/N KOB [ KP OF -"GN" F" E BUK	02IE
54/	QP TU "P QFSB Na DBSQ OUF SKB" GSP OUF "RVBESK" F" TDI FN K" VOKG MBSK	03IE
55/	DBMDP M" KMM/N KOP UFDOKDK	CI
56/	SFMB [ KP OF "E K'DBMDP MP " KN QBOUK" FMUUSKDK	RCIE
57/	SFMB [ KP OF "UFDOKDB" KN QBOUK" FMUUSKDK" F" TQDKBMK	RTES
58/	SFMB [ KP OF "UFDOKDB" WSKGDB" GVMN KOB [ KP OF	RVF

<b>IMPIANTI SPECIALI</b>		
59/	QP TU "P QFSB Na QBOP "TFDP OEP aKN QBOUK" SKWFM [ KP OF "GN" K" F UFSNP SFHMB [ KP OF	01IS
5:/	QP TU "P QFSB Na QBOP "TFDP OEP aKN Q" SKWFM" /"GN" K" F" UFSNP SFHaVGGDKP "MP HKTUKDP	01ISa
61/	QP TU "P QFSB Na QBOP "TFDP OEP aKN Q" SKWFM" /"GN" K" F" UFSNP SFHaTFSW [ KP BN N KOKTUSBUKAP	01ISb

62/	QP TU" P QFSBNaQBOP "TFDP OE P aKN Q"SKWFM"GVN K'F"UFSNP SFHaTFSWKL KP BOUKDSKNKOF	<b>01ISc</b>
63/	QP TU" P QFSBNaQBOP "TFDP OE P aKN Q"SKWFM"GVN K'F"UFSNP SFHaDBNFSFUUF	<b>01ISd</b>
64/	QP TU" P QFSBNaQBOP "TFDP OE P aKN Q"SKWFM"GVN K'F"UFSNP SFHaVGGOK'OP F	<b>01ISe</b>
65/	QP TU" P QFSBNaQBOP "TP UUP UFUUP aKN QBOUK'SKWFMB[ KP OF"GVN K'F UFSNP SFHMB[ KP OF	<b>02IS</b>

<b>IMPIANTI MECCANICI</b>		
66/	QP TU" P QFSBNaQBOP "TFDP OE P aKN QBOUP "DP OE K[ KP OBNF OUP	<b>01IM</b>
67/	QP TU" P QFSBNaQBOP "TFDP OE P aKN QBOUP "DP OE K[ KP OBNF OUP aVGGOK' MP HKTUKDP	<b>01IMa</b>
68/	QP TU" P QFSBNaQBOP "TFDP OE P aKN QBOUP "DP OE K[ KP OBNF OUP aTFSWKL KP BN N KOKTUSBUKWP	<b>01IMb</b>
69/	QP TU" P QFSBNaQBOP "TFDP OE P aKN Q"DP OE K[ KP OBNF OUP aTF[ KP OF"BOUKDSKNKOF	<b>01IMc</b>
6:/	QP TU" P QFSBNaQBOP "TFDP OE P aKN QBOUP "DP OE K[ KP OBNF OUP aDBNFSFUUF	<b>01IMd</b>
71/	QP TU" P QFSBNaQBOP "TFDP OE P aKN QBOUP "DP OE K[ KP OBNF OUP aVGGOK' OP F	<b>01IME</b>
72/	QP TU" P QFSBNaQBOP "TP UUP UFUUP aKN QBOUP "DP OE K[ KP OBNF OUP	<b>02IM</b>
73/	QP TU" P QFSBNaTDI FN K'B"CMDDI K'KN QBOUP "DP OE K[ KP OBNF OUP	<b>03IM</b>
74/	QP TU" P QFSBNaQBSUKDP MBSK'VOKJB"USBUUBNF OUP "BSKB	<b>04IM</b>
75/	QP TU" P QFSBNaQBSUKDP MBSF"QP N Q"E K'DBMP SFaQVI Z.Q311-361-411ZOX .B3" F DBI WS561ZB.I QC	<b>05IM</b>
76/	QP TU" P QFSBNa"QBSUKDP MBSF"QP N Q"E K'DBMP SFaQVI Z.Q561-611ZTOX .B3	<b>06IM</b>
77/	QP TU" P QFSBNa"QBSUKDP MBSF"QP N Q"E K'DBMP SFaQVI Z.Q761ZTX .B3	<b>07IM</b>
78/	QP TU" P QFSBNaQBOP "TFDP OE P aDBOBM[ [ B[ KP OK'BFSBVM DI F	<b>08IM</b>
79/	QP TU" P QFSBNaQBOP "TP UUP UFUUP aDBOBM[ [ B[ KP OK'BFSBVM DI F	<b>09IM</b>
7:/	SFMB[ KP OF"E K'DBMDP MP "DP OE K[ KP OBNF OUP	<b>RCC</b>
81/	SFMB[ KP OF"UFDOKB"FY"MFHHF"21	<b>REL10</b>
82/	SFMB[ KP OF"UFDOKB"KN QBOUK'N FDDBOKDK'QFS "KMDP OE K[ KP OBNF OUP	<b>RTMC</b>
83/	SFQP SU" TQFDKBMKTUKDP "E K'TKTUFNB"V6W	<b>RVRV</b>

<b>IMPIANTI FOGNARIO</b>		
84/	QP TU" P QFSBNaQBOKNFUSKB"HFOFSBM"GP HOB	<b>01IF</b>
85/	QP TU" P QFSBNaQBOP "UFSSBaKN QBOUP "GP HOBSKP	<b>02IF</b>
86/	QP TU" P QFSBNaQBOP "TFDP OE P aKN QBOUP "GP HOBSKP	<b>03IF</b>
87/	QP TU" P QFSBNaQBOP "TFDP OE P aKN QBOUP "GP HOBSKP aVGGOK' MP HKTUKDP	<b>03IFa</b>
88/	QP TU" P QFSBNaQBOP "TFDP OE P aKN QBOUP "GP HOBSKP aTFSWKL KP "BN N KOKTUSBUKWP	<b>03IFb</b>
89/	QP TU" P QFSBNaQBOP "TFDP OE P aKN QBOUP "GP HOBSKP aTF[ KP OF"BOUKDSKNKOF	<b>03IFc</b>
8:/	QP TU" P QFSBNaQBOP "TFDP OE P aKN QBOUP "GP HOBSKP aDBNFSFUUF	<b>03IFd</b>
91/	QP TU" P QFSBNaQBOP "TFDP OE P aKN QBOUP "GP HOBSKP aVGGOK' OP F	<b>03IFe</b>
92/	QP TU" P QFSBNaQBOP "TP UUP UFUUP aKN QBOUP "GP HOBSKP aBDRVF"OFSF"FEK DP OE FOTB	<b>04IF</b>
<b>IMPIANTI IDRICO-SANITARIO</b>		
93/	QP TU" P QFSBNa"QBOP "TFDP OE P aKN QBOUP "E K'DBSKDP	<b>01II</b>
94/	QP TU" P QFSBNa"QBOP "TFDP OE P aKN QBOUP "E K'DBSKDP aVGGOK' MP HKTUKDP	<b>01IIa</b>
95/	QP TU" P QFSBNa"QBOP "TFDP OE P aKN QBOUP "E K'DBSKDP aTFSWKL KP "BN N KOKTUSBUKWP	<b>01IIb</b>
96/	QP TU" P QFSBNa"QBOP "TFDP OE P aKN QBOUP "E K'DBSKDP aTF[ KP OF"BOUKDSKNKOF	<b>01IIc</b>
97/	QP TU" P QFSBNa"QBOP "TFDP OE P aKN QBOUP "E K'DBSKDP aDBNFSFUUF	<b>01IId</b>
98/	QP TU" P QFSBNa"QBOP "TFDP OE P aKN QBOUP "E K'DBSKDP aVGGOK' OP F	<b>01IIe</b>
99/	QP TU" P QFSBNa"QBOP "TP UUP UFUUP a"KN QBOUP "E K'DBSKDP	<b>02II</b>
9:/	QP TU" P QFSBNaTDI FN B"GO[ KP OBM"BDT	<b>03II</b>
: 1/	SFMB[ KP OF"KN QBOUP "KESKDP .TBOKUBSKP "F"GP HOBSKP	<b>RIF</b>

<b>STRUTTURALI</b>		
: 2/	SFMB[ KP OF"UFDOKB"KMM/TUSBUKWB	<b>RTI</b>
: 3/	QP TU" P QFSBNa"QBOP "TFDP OE P aBEFHVBNFOUP "TDBM"5	<b>01ST</b>
: 4/	QP TU" P QFSBNa"QBOP "TFDP OE P aMBZ.PVU"BCFSUVSB"WBSDI K	<b>02ST</b>
: 5/	QP TU" P QFSBNa"TDI FNBUK[ [ B[ KP OF"GBTK'MBWP SBUKWF"BCFSUVSB"WBSDI K	<b>03ST</b>
: 6/	QP TU" P QFSBNa"QBOP "TFDP OE P aDFSDI KBUSVB"BCFSUVSB"WBSDI K	<b>04ST</b>
: 7/	QBOP "E K'NBOVUFO[ KP OF	<b>PM</b>

: 8/	SFMB[ KP OF"E K'DBMDP MP	RC
: 9/	EFGOK[ KP OF"E FM'N P EFMP "E K'SKGF SKNFOUP "QFS"MF"BOBMKT	RDM
: : /	SFMB[ KP OF"HFP UFDOKDB	RG
211/	SFMB[ KP OF"N BUFSKBMK	RM
212/	QSP WF"E K'DBSKDP "TP MBK	PCS

PREVENZIONE INCENDI		
213/	SFMB[ KP OF"QSFWFO[ KP OF"KODFOE K". "E QS"1201903122"O/262	RPI
214/	QP TU"P QFSBNa"QMBOKNFUSKB"HFOFSBMF-"QBOP "UFSSB" F"QSKN PaQSFWFO[ KP OF KODFOE K	01PI
215/	QP TU"P QFSBNa"QBOP "TFDP OEP "F"TP UUP UFUUP aQSFWFO[ KP OF"KODFOE K	02PI
216/	QP TU"P QFSBNa"TF[ KP OK'BB"CC"DD"EE"FF"	03PI
217/	QP TU"P QFSBNa"DP NQBSUKNF OUB[ KP OF"TP MBK "QBOP "TFDP OEP	04PI

Brdvoj"epdvn f ouj"tpqsb" f rnodby"qpttpop" bodi f "opo" f ttf sf "n buf sjbm f ouf "brnhbu" -"doup" t bwp" jrbqjuprbup t qf djbrf" e(baqbrnp" f " rfi rnodp" qsf €€) vojbsj" qvadi è" dpotf svbu" ebnt" tub€jpop" baqbrnbouf " f " dpousp gsn buj" ebj dpousb ouj/

Tpop" dpousbuwbrn f ouf "vjodprbu" qf s" rfi" Qbsj" rfi" rfhhj" f " rfi" opsn f "vjhf ouj" jo" n buf sjb" ej" rlvpsj" qvccrjdi" f " jo qbsj dprbsf ;

- jrdpejdf "ef j" dpousbu" . "e/rnt/" o/"4703134<
- rfi" rfhhj" -"j" ef dsf u" -"j" sf hprbn f ouj" f " rfi" djsdprbsj" n jojt uf sbrjtf n bobuf "f " vjhf ouj" bnt" eub" ej" f tf dv€jpop" ef j rlvpsj" opodi à" rfi" opsn f "vjodprbu" jo" t qf djgdj" bn cju" uf ssjpsjbrj" r vbrj" rlvpsj" hfpof -"Qspwjodjb" f " Dpn vof "jo dvj" tj" f tf hvpop" rfi" pqf sf " phhf up" ef rlvpsj" -"ef rlvpsj" -" qbsf sj" f " ef uf sn job€jpoj" f n bobuf "ebnt" vupsjw Ob€jpopbrf" BoujDpssv€jpop" )BOBD\* <
- rfi" opsn f "uf dojdi f " f n bobuf "eb" D/O/S/ -"V/O/K/ -"D/F/K/

Rvbrpsb" vop" tuf ttp" bup" dpousbuwbrf" epwftt" sjqpsbsf " ef rfi" ejtqptj€jpoj" ej" dbsbuf sf " ejt dpsebouf - rlvpsj" rlvpsj" of " dpu" phhf up" eijn n f ejub" tf hobr€jpop" t dsjub" bnt" tub€jpop" baqbrnbouf " qf s" j" dpotf hvf ouj qspwv ejn f ouj" ej" n pejgdb/

Ko" dbtp" ej" ejt dpseboeb" usb" j" wbsj" f rlvpsj" ej" qspfh up" vbrf" rlvpsj" p€jpop" "qjò" bef sf ouf "brn" gobrjw" qf s" rfi" rlvpsj" jrbqjup" à" tubup" qspfh ubup" f " dpn vor vf " r vf rlvpsj" n f hrijp" sjtqpoef ouf "bj" dsjv sj" ej" sbhjpop wprlvpsj" f " ej" cvpob uf dojdb" f tf dvjwb/

Of rlvpsj" t" j" sjt dpousbttf sp" ejt qptj€jpoj" ejt dpsebouj" usb" j" ejwv st" j" buj" ej" dpousbu" -" f sn p" sf tuboep" r vbouj tubcjrjup" of rlvpsj" tf dpoeb" qbsuf " ef rlvpsj" df ef ouf " dbqpwv stp" -" rlvpsj" rlvpsj" sjt qf uf s" -" of rlvpsj" -" r vf rfi" joejdbuf ebhrijlvpsj" tf hvf ouj" " dpousbu" . " dbqjuprbup" t qf djbrf" e(baqbrnp" . " f rnodp" qsf €€) pwwv sp" n pevrv" jo" dbtp" ej" pgf sub qsf €€\* . " ejt f hoj/

Of rlvpsj" ej" ejt dpseboef " usb" rfi" ef t dsj€jpoj" sjqpsbuf " jo" f rnodp" qsf €€) vojbsj" f " r vf rfi" csf vj" sjqpsbuf " of m dpn qvup" n f vjdp" f tuj bujv" -" tf " qsf tf ouj" -" à" eb" joul oef st" j" qsf vbrfouf " r vbouj" qsf t dsjup" of rfi" rlvpsj" qsf €€- bodi f "jo" sf rlvpsj" "brlvpsj" di f "brf" f rlvpsj" bvsj" vbrfouf " dpousbuwbrf" jo" tf ef "ej" tujvrv" -" ejwv olboep" brnhbu brrlvpsj/

Rvbrpsb" hrijlvpsj" dpousbuwbrjlvpsj" wv ef ttf sp" ef rfi" t p€jpop" brf sobujv" -" sf tub" f t qsf t tbn f ouf " tubcjrjup" di f " rlvpsj" tdf rlvpsj" t qf uf s" -" ej" opsn b" f " bwp" ejwv st b" t qf djgdj -" bnt" E" sjf €jpop" ef j" rlvpsj/

Mbaqbrnbupsf " epvsv" dpn vor vf " sjt qf ubsf " j" n jojn j" joef sphbcjrjlvpsj" ebrlvpsj" t f ouf " Dbqjuprbup" bvf oep" hrijlvpsj" t f ttj" -" qf s" f t rlvpsj" tubu" vj€jpop" -" dbsbuf sf " ej" qsf vbrfouf " sjt qf up" brn" ejwv st f " p" n jopsj" qsf t dsj€jpoj" sjqpsbuf of hrijlvpsj" buj" dpousbuwbrjlvpsj/

### Art. 2.3

### QUALIFICAZIONE E REQUISITI PER GLI ESECUTORI DI LAVORI<sup>(1)</sup>

Qf s" j" rlvpsj" joejdbuf" ebrlvpsj" t f ouf " Dbqjuprbup" rlvpsj" tub€jpop" baqbrnbouf " wv sjgdj" rlvpsj" oeb" ej" dbvtf " ej" f t dvtjpop -" bj" t f otj" ef hrijlvpsj" : 5" f " : 6" e/rnt/" 4703134" -" f " jrbqpttfttp" ef j" sf rlvpsj" ej" qbsuf djq€jpop" ef rlvpsj" sbpsf f dpopn jdp" dpotvrvboep" jrbqptdprp" vjswbrf" ej" dvj" brnsvj dprp" 35" f " hrijlvpsj" epdvn f ouj" brnhbu" -" usbn juf rlvpsj" spqf sbcjrjw" dpo" rlvpsj" qjbulbgsn b" ejhjubrifi" ob€jpopbrifi" ebu" ej" dvj" brnsvj dprp" 61. uf s" ef rlvpsj" dpejdf ef rlvpsj" n jojt us€jpop" ejhjubrifi" . " e/rnt/" 9303116" . " f " dpo" rfi" cbodi f " ebu" ef rfi" qvccrjdi f " bn n jojt us€jpop/

Of rlvpsj" ubhrijp" -" rlvpsj" sbpsf " f dpopn jdp" ef wv " qptt ef sf " rlvpsj" tub€jpop" ej" rlvpsj" vbrjgdj€jpop" tf dpoe" r vbouj ejt qptup" ebnt" vjlvpsj" 211" d/5" ef rlvpsj/

Hrijlvpsj" pqf sbpsj" f dpopn jdi" tpop" rlvpsj" buj" qf s" dbuf hpsj" f " ej" pqf sf " hf of sbrij" qf s" dbuf hpsj" f " ej" pqf sf t qf djbrf" eub -" opodi è" qf s" qsf tub€jpop" ej" tprlvpsj" dpt us€jpop" f " qf s" qsf tub€jpop" ej" qspfh ub€jpop" f " dpt us€jpop/

### Tabella A

### Categorie di opere generali

<b>OG 1</b>	Fejgdi"diwiri"foevtusjbrn
<b>OG 2</b>	Sf tubvsp"fn bovf oEjpop"ef j"cf oj"jn n pcjrt pupqpt u"b"uwuf r"b"j"t f otj"ef nri"ejt qpt jEjpoj"jo"n buf sjb"ej"cf oj dvrw/sbrif"bn cif oubrn
<b>OG 3</b>	Tusbef -"bvupt usbef -"qpoj-"vjbepeuj-"g sspwif -"rjof f "usbowjsjif -"n f uspqprjbof -"g ojdpribsj-"f "qjt uf "bf spqpsu/brija" f rhuwif "paf sf "dgn qirfn f oubsj
<b>OG 4</b>	Paf sf "e(bsuf "of r"t pupt vpp
<b>OG 5</b>	Ejhi f
<b>OG 6</b>	Bdr vf epui-"hbtepuj-"prfpepuj-"paf sf "ei"ssjhEjpop" f "ei" f wbdv bEjpop
<b>OG 7</b>	Paf sf "n bsiuin f "f "rhwpsj"ej"esbhbhjip
<b>OG 8</b>	Paf sf "qmwibrj"ej"ejf tb-"ej"t juf n bEjpop "jesvriab" f "ei"cpojgdb
<b>OG 9</b>	Kn qibou"af s"ra"aspevEjpop" ei" f of shj b" f rhusjdb
<b>OG 10</b>	Kn qibou"qf s"ra"usbt qsn bEjpop "brbOn f ejb"uf otjpop" f "qf s"ra"ejt usjcvEjpop" ei" f of shj b" f rhusjdb"jo"dpssf ouf brf sobub" f "dpojovb" f "jn qibou"ei"qvccriab"imn jobEjpop
<b>OG 11</b>	Kn qibou"uf doprhjdi
<b>OG 12</b>	Paf sf "f "in qibou"ei"cpojgdb" f "aspf Ejpop"bn cif oubrn
<b>OG 13</b>	Paf sf "ei"johf hof sib"obusbrituab

### Categorie di opere specializzate

<b>OS 1</b>	Mwpsj"jo"uf ssb
<b>OS 2-A</b>	Tvaf sgj"ef dpsuf "ej"cf oj"jn n pcjrtlef r"qbusjn poj"dvw/sbrif" f "cf oj"dvw/sbrj"n pcjrtlej"jof sf ttf "t upsjdp-bsut uab-"bsdi f prnhjdp" f e" f wopbouspqrphjdp
<b>OS 2-B</b>	Cf oj"dvw/sbrj"n pcjrtlej"jof sf ttf "bsdi jwituab" f "rjcsbsjip
<b>OS 3</b>	Kn qibou"iesidp.tboubsjip-"dvdi of -"rhwboef sij
<b>OS 4</b>	Kn qibou" f rhuspn f ddboidj"usbt qpsubpsi
<b>OS 5</b>	Kn qibou"qof vn buidj" f "boujovstjpop
<b>OS 6</b>	Goiwuf "ej"paf sf "hf of sbr"jo"n buf sibrin"hof j-"qrat udi-"n f ubriidj" f "vf uspt j
<b>OS 7</b>	Goiwuf "ej"paf sf "hf of sbr"lei"obusb" f ejrnf" f "uf dojdb
<b>OS 8</b>	Paf sf "ei"jn qf sn f bcjriEjpop
<b>OS 9</b>	Kn qibou"qf s"ra"t f hobrnuab"mn joptb" f "ra"t jdvf E"ef rhusqjdb
<b>OS 10</b>	Tf hobrnuab"tusbebrf"opo"mn joptb
<b>OS 11</b>	Bqabsf ddi jbusf "tuswv/sbrif"t qf dibrn
<b>OS 12-A</b>	Cbssif sf "tusbebr"lei"t jdvf E
<b>OS 12-B</b>	Cbssif sf "qbsbn bttj-"qf sn bof wf "f "tjn jrn
<b>OS 13</b>	Tuswvuf "asf dpcscsibuf "jo"df n f oup"bsn buj
<b>OS 14</b>	Kn qibou"ei"tn brjn f oup" f "sf dvaf sp"sjqvuj
<b>OS 15</b>	QvriE"ej"bdr vf "n bsjof -"rbdvt usi-"qmwibrn
<b>OS 16</b>	Kn qibou"af s"df ousbr"lei"aspevEjpop" f of shj b" f rhusjdb
<b>OS 17</b>	Mof f "uf rhpoidj f "f e"jn qibou"ei"uf rhpoidj
<b>OS 18-A</b>	Dpn apof ou"t uswv/sbrif"jo"bddjbjp
<b>OS 18-B</b>	Dpn apof ou"qf s"qddjibuf "dpojovf
<b>OS 19</b>	Kn qibou"ei"sf u"ei"uf rhdpn voidbEjpop" f "ei"usbt n jttjpop"ebu
<b>OS 20-A</b>	Sirfwnb f ou"lqaphsbqjdi
<b>OS 20-B</b>	Koebhjoj"hf phoptudi f
<b>OS 21</b>	Paf sf "tuswv/sbrif"t qf dibrn
<b>OS 22</b>	Kn qibou"ei"qubcjrEjpop" f "ef avsbEjpop
<b>OS 23</b>	Ef n prEjpop"ei"paf sf
<b>OS 24</b>	Wf sef "f "bssf ep"vscbop
<b>OS 25</b>	Tdbw"bsdi f prnhjdi
<b>OS 26</b>	Obwin f ouEjpop" f "tpwst uswvuf "t qf dibrn
<b>OS 27</b>	Kn qibou"af s"ra"usbejpop" f rhusjdb
<b>OS 28</b>	Kn qibou"uf sn jdi" f "ei"dpoeiEjpopbn f oup
<b>OS 29</b>	Bsn bn f oup"qf sspwbsjip
<b>OS 30</b>	Kn qibou"jof soi" f rhusjdi-"uf rhpoidj-"sbejpu f rhpoidj" f "uf rfwit jw
<b>OS 31</b>	Kn qibou"af s"ra"n pcjrtu"tptaf tb
<b>OS 32</b>	Tuswvuf "jo"rfhob
<b>OS 33</b>	Dpaf svuf "t qf dibrn
<b>OS 34</b>	Tjt uf n j"boujvn psf "af s"joqst uswvuf "ei"n pcjrtu
<b>OS 35</b>	Kof swf ou"b"cbttp"n abuw"bn cif oubrn

Mf "dbuf hpsjif "t pop" drtt jgdbuf "tf dpoep"j" rjw rj"ej"jn qpsup" sjqpsubj"br"ou"3" d/"5" ef n"on"nhbup"K/23" ef m dpejdf /

**Classifiche**

- a) "K" "gop" "b" "f" "vsp" "369/111" <
- b) "KK" "gop" "b" "f" "vsp" "627/111" <
- c) "KKK" "gop" "b" "f" "vsp" "2/144/111" <
- d) "KKK" "cjt;" "gop" "b" "f" "vsp" "2/611/111" <
- e) "KW" "gop" "b" "f" "vsp" "3/693/111" <
- f) "KW" "cjt;" "gop" "b" "f" "vsp" "4/611/111" <
- g) "W" "gop" "b" "f" "vsp" "6/276/111" <
- h) "WK" "gop" "b" "f" "vsp" "21/43: /111" <
- i) "VK" "gop" "b" "f" "vsp" "26/5: 5/111" <
- l) "VKK" "pnsf" "f" "vsp" "26/5: 5/111/

Mb"r vbrjgdb"epof "jo"vob"dbuf hpsjb"bcjrjb"r"pqf sbupsf "f dpopn jdp"b"qbsuf djqbsf "brn"hsbf "f "b" "f" "t" "f" "hvjsf" "j" "r" "wpsj of j"rjm" j"ef n" "qspqsb" "drbt" "tjgdb" "jods" n f oubub"ej"vo"r"vjoup/

Mbuftub"epof "ej" r vbrjgdb"epof -"sjrat"djbb"tf dpoep"ra"qspdf evsb"qsf vjtub"ebn"brn"hbup"K/23-"dptujwjt df dpoe"epof "of df ttbsjb" "f" "tv" "gdj" "ouf" "qf s" "ra" "ejn ptusb"epof "ef n" "tvttjt" "uf oeb" "ef j" "sf r vjtj" "ej" "dbqbdj" "uf dojdb" "f" "goboe" "jsjb" "bj" "goj" "ef n" "ogjebn" "f" "oup" "ej" "r" "wpsj" "qvccr" "oj/

K"sf r vjtj" "ej" "psejof" "t" "qf" "djbrn" "of" "df" "ttbsj" "qf" "s" "pu" "of" "sf" "ra" "r" "vbrjgdb" "epof" "t" "pop;

- r"jepof j" "qspg" "ttj" "pobr" <
- ra"dbqbdj" "f" "dpopn" "jdb" "f" "goboe" "jsjb" <
- rn"dbqbdj" "uf" "dojdi" "f" "f" "qspg" "ttj" "pobrj/

Qf subop-"r"pqf sbupsf "f dpopn jdp" "ef w" "qptt" "ef sf" "ra" "r" "vbrjgdb" "s" "di" "j" "f" "t" "ub" "ebr" "cboep" "ej" "hbsb" -"ebn" "w" "wjt" "p" "p" "ebn" "owj" "p" "b" "qbsuf" "djqbsf" "sf" "ebup" "ebn" "Tub" "epof" "Bqqbr" "bouf" "f" "ejt" "djqr" "obup" "ebr" "Dpej" "df" "Bqqbr" "j" "f" "ebn" "opsn" "b" "vjhf" "ouf" /

Cat.	Descrizione	Importo	Classifica	% sul totale
<b>OG2</b>	<b>RESTAURO E MANUTENZIONE DEI BENI IMMOBILI SOTTOPOSTI A TUTELA AI SENSI DELLE DISPOSIZIONI IN MATERIA DI BENI CULTURALI E AMBIENTALI</b>	3/737/39: -22	KW	68-31
<b>OS28</b>	<b>Impianti termici e di condizionamento</b>	994/474-61	KKK	2: -35
<b>OS30</b>	<b>Impianti interni elettrici, telefonici, radiotelefonici e televisivi</b>	2/192/8: 7-26	KKK	34-67

### 2.3.1) AVVALIMENTO

Mbwbrjm foup"à"jrdpousbup" dpo"jnr"vbrn"vob"p"qjò"jn qsf tf "bvtjrbjsj" "tj" "pccrjmbop" "b" "n" "f" "uf" "sf" "b" "ejt" "qptj" "epof" "ej" "vo" "pqf" "sbupsf" "f" "dpopn" "jdp" -"di" "f" "dpodpssf" "jo" "vob" "qspdf" "evsb" "ej" "hbsb" -"epub" "epoj" "uf" "dojdi" "f" "f" "sjt" "pst" "f" "vn" "bof" "f" "t" "usvn" "f" "oubrij" "qf" "s" "wub" "ra" "evsbub" "ef" "n" "bqbr" "p" -"bj" "t" "f" "otj" "ef" "n" "os" "215" "d" "2" "ef" "rte" "rnt" / "4703134/

Mpqf sbupsf "f dpopn jdp" "qspvdf" "sf hprtsf" "dpousbup" "ej" "bwbrjm" foup" "1" "dpodvrt" "p" "dpo" "r" "qf" "sf" "tb" "bvtjrbjsj" "di" "f" "hrj" "dpo" "g" "sjt" "df" "epub" "epoj" "uf" "dojdi" "f" "f" "sjt" "pst" "f" "vn" "bof" "f" "f" "t" "usvn" "f" "oubrij" "qf" "s" "wub" "ra" "evsbub" "ef" "n" "bqbr" "p" -"brhgof" "ef" "n" "dr" "vjt" "epof" "ej" "vo" "sf" "r" "vjtj" "ep" "qbsuf" "djq" "epof" "2" "0" "br" "oj" "ef" "j" "n" "jhrjpsbsf" "r" "p" "qf" "sub" "f" "dpopn" "jdb/

Mpqf sbupsf "f dpopn jdp" -"qf subop-"brn"hb"brn"epn boeb"ej"qbsuf djq"epof ;

- jrdpousbup"ej"bwbrjm foup"jo"psjhjobrnf"p"dpqjb"bvlf oujdb-"t"qf djgdboep"t"f "tj"à"bwbrtp"ef n"sjt"pst"f brsvj"qf s"bdr vjtj"sf "vo"sf r vjtj"ep"qbsuf djq"epof "p"n jhrjpsbsf "ra"qspqsb"p"qf sub<
- ra"df sjgdb"epof "sjrat"djbb"ebn"TP B"p"ebn"BOBD/

Qf s"j"goj"tpqsb"joejdbj-"r"qf qsf tb"bvtjrbjsj"ef w"ejdi jbsbsf "b"r vf tub"tub"epof "bqqbr"bouf ;

- ej"f"ttf"sf"jo"qptt"t"p"ef"j"sf"r"vjtj"ep"psejof"hf"of"sb"r"n" <
- ej"jn"qf"hbost"j"wf"stp"r"pqf"sbupsf" "f" "dpopn" "jdp" "f" "f" "w" "stp" "ra" "t" "uf" "ttb" "tub" "epof" "bqqbr" "bouf" "b" "n" "f" "uf" "sf" "b" "ejt" "qptj" "epof" "qf" "s" "wub" "ra" "evsbub" "ef" "n" "bqbr" "p" "r" "sjt" "pst" "f" "phhf" "up" "ef" "r" "dpousbup" "ej" "bwbrjm" foup/

Mjn qsf tb" bvtjrbjsj" "ubtn" "f" "uf" "ra" "qspqsb" "buftub" "epof" "ej" "r" "vbrjgdb" "epof" "3" "n" "gobrie" "ebub" "bn" "dr" "vjt" "epof" "ef" "n" "sf" "r" "vjtj" "ep" "qbsuf" "djq" "epof" "brn" "qspdf" "evsb" "ej" "bh" "hvejdb" "epof" "ef" "j" "r" "wpsj/

Mpqf sbupsf "f dpopn jdp" "f" "r" "qf" "sf" "tb" "bvtjrbjsj" "tpop" "sf" "t" "qpot" "bcj" "j" "jo" "t" "prj" "ep" "of" "j" "dpog" "spouj" "ef" "n" "tub" "epof" "qbh" / "24

bqqbrnbof "jo"sf rbejpf "brn"qsf t ubejpoj"phhf up"ef rdpousbup/"Hrjppccrjmi j"qsf vjt u"ebn"opn bujwb"boujn bgb"b djsdp" ef rnpqf sbpsf " f dpopn jdp" tj" bqqrbop" bodi f " of j" dpogspouj" ef rhtphhf up" bvtjrbjbp-" jo" sbhjpf ef rfn qpsp"ef rnbqqbrn"qpt up"b"cbtf "ej"hsb-"bj"tf otj"ef rnsu"215"d/8"ef rtdpejdf /

Mb"t ubejpf "bqqbrnbof "jo"dpst p"(f tf dvejpf "f gf uwb"ef rni"wf sjgd f "tpt ubejbrj"dsdb" rfi gf ujwp"qptt f t p ef j" sf r vjtj" f " ef rni" sjt pst f " phhf up" ef rnbwbrjm foup" eb" qbsf " ef rfn qsf tb" bvtjrbjbp-" opodi è" rfi gf ujwp jn qjf hp"ef rni"sjt pst f "n ef tj n f "of rni"tf dvejpf "ef rnbqqbrn"/"B"brjgof "jrSVQ"bddf sub"jo"dpst p"(pqf sb"di f "rni qsf t ubejpoj" phhf up" ej" dpousbup" tjbop" t wprf " ejsf ubn f ouf " ebn" sjt pst f " vn bof " f " t usv n f oubrj" ef rfn qsf tb bvtjrbjbp" di f " jrhujprbsf " ef rdpousbup" vujrbb" jo" bef n qjn foup" ef hrj pccrjmi j" ef sjvbouj" ebrdpousbup" ej bwwbrjm foup/

## Art. 2.4 ATTIVITÀ DEL DIRETTORE DEI LAVORI

Mb"t ubejpf " bqqbrnbof -" qsjn b" ef rnbwbrjm" ef rni" qspdf evsb" qf s" rbggebn foup-" opn job-" tv" qspqpt ub" ef m sf t qpotbcjrj"vojdp"ef rntqshf up")SVQ\*"vo"ejf upsf "ef j"rhwpsj"qf s"ra"ejf eipof "f "jrtpouspmp"ef rni"tf dvejpf "ef j dpousbuj"sf rhuwj"b"rhwpsj"/"Mbujvjl"ef rrejsf upsf "ef j"rhwpsj"à"ejtdjrbobub"ebnrnrbhup"K/25"ef rre/rnt/"4703134/

Krhejsf upsf " ef j" rhwpsj" à" qsf qpt up" brh dpouspmp" uf dojdp-" dpoubcjrj" f " bn n jojt usbjwp" ef rni"tf dvejpf ef rnbouf swfoup-" pqf sb" jo" qjf ob" bvupopn jb" f " of rhtj qf up" ef rni" ejt qpt j eipof" ej" tf swj eip" jn qbsjuf " ebrhSVQ bggodi à"j"rhwpsj"tjbop"ftf hvju"b"sf hprb"e(bsf "f "jo"dpogsn ju"brhqsphf up"f "brdpousbup"/"Of rtdbt p"ej"jouf swf ouj qbsjdrbsn f ouf "dnp qrfittj-"qvi "f ttf sf "tvqqpsbup"eb"vo"vggijp"ej"ejf eipof "rhwpsj"bttvn f oeptj-"qf subou-"rbs sf t qpotbcjrj"ef rtdppsejobn foup"ef rni"tvqf swjtjpf "ef rni"sf rhuwj "bujujl/

Kouf srpr vjtdf -"jopnsf -"jo"vjb"ftdmtjwb"dpou"rni"tf dvupsf "dvj"jn qbsjtdf "ordini di servizio"sjhvbsep"bhrijlbt qf uj uf dojdj"ef "f dpopn jdj"ef rni"hf t jupof "ef rnbqqbrn"rni"tf dvupsf "à"uf ovup"be"vojpsn bstj"brn"ejt qpt j eipof"sjdf wuf - duwb"t bmb"ra"gdpru"ej"jt dsjv sf "rni"qspqsf "sjt f swf /

Of rtef ubhrijp-"jrhejsf upsf "ef j"rhwpsj;

- qsjn b"ef rni"dpotf hob"ef j"rhwpsj-"sf ejhf "f "srjrt djb"brhSVQ"vo(buf t ubejpf "tvmp"tubup"ef j"mphi j"dpou sjf sjn foup" bnrdbdf ttjcrju" ef rni" bsf f " f " ef hrj jn n pcjrj"jouf sf ttbu" ebj" rhwpsj" f " bnrdbdf oeb" ej jn qf ejn f ouj"brn"sf brjbb"ef rntqshf up<
- dpotf hob"j"rhwpsj-"bddf sub"rjepof ju"ef j"mphi j-"of rni"n pebrju"qsf vjt u"ef rnsu"jdrp" [Dpotf hob"ef j" rhwpsj](#)<
- qspwef ef "brn"dbdf ubejpf "ef j"n buf sbrj" f " dnp qpof ouj"n f ttj"jo"pqf sb" f "jo"dbtp"dpousbjp-"f n f uf n puwbup"sjvup<
- jn qbsjtdf "hrjppsejoj"ej"tf swj eip<sup>1)</sup>"brn"tf dvupsf "qf s"cpsojshrijt usveipof"sf rhuwj "bhrijlbt qf uj"uf dojdj"ef f dpopn jdj"ef rnbqqbrn"brj"ejt qpt j eipof"t pop"dn vojdbuf "brhSVQ" f "sjqpsbop"rni"sbhjpoj"uf dojdi f "f "rni gobrju"qf stf hvju<
- bddf sub" di f " jrhef qptjup" ef j" qspdf u" t usv n sbrj" ef rni" dpt usveipof" tjb" bwwf ovup" of rhtj qf up" ef rni opn bujwb" vjhf ouf " f " di f " tjb" t ub" srjrt djbub" ra" of df ttbsjb" bvupsjbb"ef rni" "jo" dbtp" ej" jouf swf ouj sjdbef ouj"jo"epof "tphhf uf "b"sjt di jp"tjt n jdp<
- bddf sub" di f " j" epdvn f ouj" uf dojdj-" rni" qspwef " ej" dbouj f " p" ej" rncpsbupsj" f " rni" df sjgdbeipof" cbtbuf tvn"obrij"ef rhdjrp"ej"vjub"ef rntqshf up")MDB\*"sf rhuwj "b"n buf sbrj" rhwpsbeipof" f " bqqbsf ddi jbwsf jn qj boujt di f " sjt qpoepop" bj" sf r vjtj" ej" dvj" brh qj bop" e"beipof " obejpobrni" qf s" ra" tpt uf ojcjrju bn cij oubrni"ef j"dpotvn j"ef rni"qvccrjbb"bn n jojt usbeipof <
- wf sjgdb" qf sjpejdbn f ouf "jrhtptt f t p" f " ra"sf hprbsju"eb"qbsf " ef rni"tf dvupsf " f " ef rntvcbqqbrnbof upsf - ef rni"epdvn f oubeipof "qsf vjt ub"ebn"rnhhj"vjhf ouj"jo"n buf sbrj"ej"pccrjmi j"of j"dpogspouj"ef j"ejqf oef ouj<
- dpouspni" f " wf sjgdb" jrhtj qf up" ef j" uf n qj" ej" f tf dvejpf " ef j" rhwpsj" joejdbuj" of rhdspopqshsbn n b brnrbhup"brhqsphf up"ftf dvjwp"ftvddf ttjwbn f ouf "ef ubhrijbu"of rntqshsbn n b"ej"tf dvejpf "ef j"rhwpsj )quando si utilizzano i metodi e gli strumenti di gestione informativa digitale delle costruzioni, di cui all'articolo 43 e all'allegato I.9 del codice, la direzione dei lavori si avvale di modalità di gestione informativa digitale delle costruzioni\* <
- ejt qpof " u wuj" j" dpouspni" f " rni" qspwef " qsf vjt u" ebn" vjhf ouj" opn f " obejpobrj" f e" f vspqf f -" ebrhqbop e"beipof "obejpobrni"qf s"ra"tpt uf ojcjrju"bn cij oubrni"ef j"dpotvn j"ef rni"qvccrjbb"bn n jojt usbeipof "f "ebm dbqjuprbup" tqf djbrni" e"bqqbrn-" sf ejhf oepof -" jo" dbtp" ej" bddf subn foup-" bqqptjup" wf sbrni" eb usbn f uf sf "brhSVQ")quando si utilizzano i metodi e gli strumenti di cui all'articolo 43 e all'allegato I.9 del codice, il direttore dei lavori si avvale di modalità di gestione informativa digitale per la redazione del predetto verbale\* <
- wf sjgdb-"dpou"rntvtrjpp"ef rntvggijp"ej"ejf eipof -"ra"qsf tf oeb"jo"dbouj f " ef rni"jn qsf tf "tvcbqqbrnbof upsf - opodi è" ef j" tvcdpousbf ouj-" bddf sboep" rfi gf ujwp" t wprj n foup" ef rni" qbsf " ej" qsf t ubejpoj" b" f ttj bggebb"of rhtj qf up"ef rni"opn bujwb"vjhf ouf "f "ef rdpousbup"tjvqrbup"/"Krhejsf upsf "ef j"rhwpsj"sf htusb rni"sf rhuwj "f "ef wf oubrj"dpouf t ubejpoj"ef rni"tf dvupsf "tvn"sf hprbsju"ef j"rhwpsj"ftf hvju"jo"tvcbqqbrnbof - sjrhw"ftf hobrni"brhSVQ"rni"wf oubrni"jopt f swboeb<
- tvqqpsb"jrhSVQ"of rni"t wprj n foup"ef rni"bujujl"ej"wf sjgdb"ef j"sf r vjtj"ej"dbqbdju"uf dojdb"of rtdbt p"ej

bwwbrjm foup"ef rñtf dvpsf <

- dpouspnta"ra"t wjmqap"ef j"ravpsj" f "jn qbsjtdf "ejt qptjēpoj" qf s" rñtf dvējpod "f ousp" j" rñm juj" ef j" uf n qj" f ef rñ" tpn n f "bvupsjēb" / "Tpop" dñ qsf tf "jo" ubrñ" bujvjw" rñ" vjt jf "qf sjepejdi f "brñdbouj sf "evsbouf "jm qf sjepej" ej" tpt qf otjpod "ef j" ravpsj" qf s" bddf subsf "rñ" dpoejēpoj" ef rñ" pqf sf "f" rñ wf oubrñ" qsf tf oēb" ej n bopepqf sb" f "ej" n bddi jobsj" f "qf s" jn qbsjtsf "rñ" ejt qptjēpoj" of dfttbsj" b" dpouf of sf "n bddi jobsj" f n bopepqf sb" of rñ" n jtvsb" tuf ubn f ouf "of dfttbsj" qf s" f vjubsf "eboo"j" bñ" pqf sf "hj" f tf hvjuf "f" qf s gōdjñbsf "rñ" sjqsf tb" ef j" ravpsj <
- dñ qjrb" sf rñēpoj" eb" usbt n f uf sf "brñSVQ" tf "of rñdpst p" ef rñtf dvējpod "ef j" ravpsj" t" j" wf sjgdbop" tjojt usj bñ" qf stpod "p" eboo"j" bñ" qspqsf w" f "sf ejhf " qspdf ttp" wf scbrñ" bñ" qsf tf oēb" ef rñtf dvpsf " qf s ef uf sn jobsf "rñ wf oubrñ" joef oōjēp" jo" dbtp" ej" eboo"j" dbvt by" eb" gōsb" n bhjpsf <
- gōsojtdf " brñ SVQ" rñvjtjñ" jtusvupsj" f " dpotvñwp" of dfttbsj" qf s" hñ bddf subn f ouj" gobrñēbuj bñ" rñepējpod "ej" n pejgdi f "wbsjēpoj" f "wbsjōuj" dpousbuwbrñ" g sn b" sf tboep" rñ" qpttjējñ" ej" ejt qpsf n pejgdi f " ej" ef ubhñp" opo" dñ qpsbouj" bñ f oup" p" ejn jōvējpod " ef rñ" qpsup" dpousbuwbrñ- dñ vojdbōpñ" qsf wf oujbn f ouf "brñSVQ<
- ef uf sn job" j" ovpj" qsf ēj" ef rñ" ravpsjēpoj" f "ef j" n buf sbrñ" opo" qsf vjt u" ebrñdpousbuw" jo" dpousbejupsj dpo" rñtf dvpsf <
- sbrñt djb" hñt ubj" e" bwboēbn f oup" ef j" ravpsj" f ousp" jñt sn jof "gñt buw" of rñ" epdñ f ouējpod "ej" hbsb" f "of m dpousbuw- bñ" gōj" ef rñ" n jtjpod "ef j" df sjgdbuj" qf s" jñt qbhbñ f oup" ef hñ" bddpōuj" eb" qbsf "ef rñSVQ<
- qspdf ef "bñ" dpot ubējpod "tvñp" t ubup" ej" dpot jtu of oēb" ef rñ" pqf sf -"jo" dpousbejupsj" dpo" rñtf dvpsf - f e" f n f uf " jñt df sjgdbup" ej" vñjñ bējpod <sup>33</sup> "ef j" ravpsj" eb" usbt n f uf sf "brñSVQ" di f "of " sbrñt djb" dpqjb dpogsn f "bñ" tf dvpsf \* <
- wf sjgdb" qf sjepejdn f ouf "rñ" wbrñejw" ef rñ" qspshbn n b" ej" n bovuf oējpod -"ef j" n bovbrñe (vtp" f "ef j" n bovbrñ ej" n bovuf oējpod -" n pejgdbōepof "f" bhjpsobōepof "j" dpouf ovj" b" ravpsj" vñjñ buj") *quando si utilizzano i metodi e gli strumenti di cui all'articolo 43 e all'allegato I.9 del d.lgs. 36/2023, il direttore dei lavori assicura la correlazione con i modelli informativi prodotti o aggiornati nel corso dell'esecuzione dei lavori sino al collaudo* \* <
- hf tjt df "rñ" dpouf t ubējpod tv" bt qf u" j" f dojdj" sjt f swf -" buf of oepj" bñ" sf rñujw" ejt djqjōb" qsf vjt ub" ebrñt ubējpod "bqqbrñouf "f" sjqpsub" of rñ" bñqjuprñ" e" bqqbrñp <
- gōsojtdf " di bjsñ f ouj" -" tqjf hbējpod" f " epdñ f ouj" bñ" shbop" ej" dñ" rñvep- " bttjt u oep" r vft u vñjñ p of rñ" tqrñbn f oup" ef rñ" pqf sbējpod" f " bqqspwōep- " qsf vjñ" f tbn f -" jñqspshbn n b" ef rñ" qspw" ej dñ" rñvep" f " n f ttb" jo" tf swēj" ef hñ" jñ qjōuj <
- tvñrñf "rñ" gōējpod" ej" dppsejōbpsf " qf s" rñ" tjdvsf oēb" jo" dñt f "ej" f tf dvējpod ") DTF\* -" tf "jo" qptt ttp" ef j sf r vjt j" sdi jf tuj" ebrñ" opsn bujw" vjhf ouf " tvñ" tjdvsf oēb" . " nel caso di contratti di importo > 1 milione di euro e comunque in assenza di lavori complessi e di rischi di interferenze <
- r vboep" t j" vñjñēp" j" n f pej" f " hñt usvñ f ouj" ej" dvj" bñ" bñs j dñ" 54" f " bñ" bñhñbup" K: " ef rñ" rñt / " 4703134- jñdppsejōbpsf " ef j" gñttj" jōgpn bujw" bttjdvs" di f " tjbop" vñjñēbuj" jo" n pep" jōf spqf sbc jñ" dpo" hñt usvñ f ouj" sf rñujw" bñ" jōgpn bujw" bñ" ējpod " ef rñ" hf tujpod " ef rñ" dpoubcjñ" ef j" ravpsj" / Kñejsf upsf " ef j ravpsj" qv -" bñ" rñ" tē" vñjñēb" " t usvñ f ouj" ej" sbddpñ" f " ej" sf hñt ubējpod " ef j" ebu" ej" dñ qf uf oēb" jo n bojf sb" t usvñ sbub" f " jōf spqf sbc jñ" dpo" rñ" hf tujpod " jōgpn bujw" ejh jbrñ <
- dpouspnta" rñ" tqf tb" rñhñb" bñ" tf dvējpod " ef rñ" pqf sb" p" ef j" ravpsj- " dñ qjrbōep" j" epdñ f ouj" dpoubcjñ" B ubrñgōf " qspw ef " b" dñt t jgdbf " f " n jtvsb" f " rñ" ravpsjēpoj" f tf hvjuf -" opodi è" b" usbt g sjsf " j" sñjñ vj f gñ wvuj" tvñrñf hñt usp" ej" dpoubcjñ" f " qf s" rñ" dpot f hvf ouj" pqf sbējpod" ej" dñ" rñ" di f " dpot f oupōp" ej jōejvjevbsf " jñ" qspshf ejsf " ef rñ" tqf tb" <sup>33</sup> /

### 2.4.1) UFFICIO DI DIREZIONE LAVORI

Ko" sf rñējpod " bñ" dñ qñttjw" ef rñ" jōf swf oup- " jñejsf upsf " ef j" ravpsj" qv " f ttf sf " tvqqpsubup" eb" vo" vggdjñ" ej ejsf ējpod " ef j" ravpsj- " dpt ujujup" eb" vop" p" qjō" ejsf upsj" pqf sbujw" eb" jt qf upsj" ej" dbouj sf -" f e" f wf oubrñ f ouf " eb ghvsv " qspg ttjōbrñ dñ qf uf ouj" jo" n buf sbrñ" jōgpn bujw /

" Kñejsf upsf " ef j" ravpsj- " dpo" rñ" vggdjñ" ej" ejsf ējpod " ef j" ravpsj- " à" qsf qpt u" brñdpouspñ" uf dojdp- " dpoubcjñ" f bn n jōt usvujw" ef rñ" tf dvējpod " ef rñ" jōf swf oup- " bodi f " n f ejbōf " n f upej" f " t usvñ f ouj" ej" hf tujpod " jōgpn bujw ejh jbrñ" f " rñ" dpt usvējpod" ej" dvj" bñ" bñhñbup" K: " ef rñ" dpejdf -" qf s" f tf hvjuf " j" ravpsj" b" sf hñ" rñ" e (bsf " f " jo" dpogpn jñ" bñ" qsp hf up" f " brñdpousbuw" / Rvboep" t j" vñjñēp" n f pej" f " t usvñ f ouj" ej" hf tujpod " jōgpn bujw" ejh jbrñ" ef rñ" dpt usvējpod- " ej" dvj" bñ" s j" 54" f " bñ" bñhñbup" K: " ef rñ" dpejdf -" bñ" jōf sop" ef rñ" vggdjñ" ej" ejsf ējpod " ef j" ravpsj" à opn jōbup" bodi f " vo" dppsejōbpsf " ef j" gñttj" jōgpn bujw < ubrñ" svpñ" qv " f ttf sf " tvñrñ" ebrñejsf upsf " ef j" ravpsj pww sp" eb" vo" ejsf upsf " pqf sbujw" hj" jōdbsjdbup- " tf " jo" qptt ttp" ej" bef hvbūf " dñ qf uf oēf /

### Direttori operativi

Hñj bttjt u ouj" dpo" gōējpod " ej" ejsf upsj" pqf sbujw" dñ" rñ" psbop" dpo" jñejsf upsf " ef j" ravpsj" of rñ" wf sjgdbf " di f " rñ" ravpsjēpoj" ej" t jōhñ" qbsuj" ef j" ravpsj" eb" sf bñ" ēb" f " tjbop" f tf hvjuf " sf hñ" rñ" f ouf " f " of rñ" ttf swboēb" ef rñ" dñvtrñ" dpousbuwbrñ" " sjt qpōepop" ef rñ" rñ" sp" bujvjw" ejsf ubn f ouf " brñejsf upsf " ef j" ravpsj /



Bj'ejfs upsf "pqf sbujw"t pop"ef n boebuj"j"tf hvf ouj"dpn qju"eb"qbsuf "ef r'ejfs upsf "ef j"r'awpsj;

- wf sjgdb"di f "r'f tf dvpsf "t vprhb"uwuf "r'f"qsbujdi f "ej"r'fhhf "sf rbujwf "brnb"ef ovodjb"ef j"dbrdprj"ef r'n t uvwvuf <
- qspshbn n b'ejpof "f "dppsejobjn f oup"ef r'n"bujuv"ef r'f"qf upsf "ef j"r'awpsj<
- bhbjpsobn f oup"ef r'adspopqspshbn n b"hf of sbrf"qbsujdprhsf hhjbu"ef j"r'awpsj"dp"joejdb"ejpof "ef r'n f wf ouvbrj"ejpops j"l"sjt qf up"br'n"qsf vjt poj"dpousbuwbrijf "ef j"of df ttbsj"jouf swf ouj"dpssf ujuv<
- bttjt uf oeb"br'ejfs upsf "ef j"r'awpsj"of r'f"oujgbsf "hrj"jouf swf ouj"of df ttbsj"b"rjm jobsf "ejf uj qspfh uvbrj"p"tf dvjuv<
- joejvjevbe"ejpof "f "bobrtj"ef r'n"dbvtf "di f "jogvjt dpop"of hbuwb n f ouf "t vnb"r vbrj"ef j"r'awpsj"ef r'n sf rbujwf "bejpoj"dpssf ujuv <
- bttjt uf oeb"bj"dpnavebupsj"of r'f"tqrubn f oup"ef r'n"pqf sb'ejpoj"ej"dpnavep<
- f tbn f "f "bqqspwbe"ejpof "ef r'qspshbn n b"ef r'n"qspw"ej"dpnavep"ef n f ttb"jo"tf sv'ejp"ef hrj"jn qjboj<
- ejfs "ejpof "ej"r'awpsbe"ejpoj"t qf djbrj"tdi f /

K'ejfs upsf "pqf sbujw"t vprhb" r'n"gr'ojpoj"ej"dppejobjupsf "qf s'rb"t jdvf "eb"jo"gtf "ej"t tf dv'ejpof ")DTF\*-"t f "jm ejfs upsf "ef j"r'awpsj"opo"qptj ef "j"sf r vjtj". *nel caso di contratti di importo > 1 milione di euro e comunque in assenza di lavori complessi e di rischi di interferenze.*

### Ispettori di cantiere

Hrj"bttjt uf ouj"dp"gr'ojpoj"ej"jt qf upsj"ej"dbouj sf "dpnrcpsob"dp"j'r'ejfs upsf "ef j"r'awpsj"of r'n"t pswf hrjboeb ef j"r'awpsj-"sjt qpoepop"ef r'n"r'p"bujuv"ejfs ubn f ouf "br'ejfs upsf "ef j"r'awpsj"t pop"qsf tf ouj"b"uf n qp"qj f op evsbof "j'r'qf sjep"ej"t vprhb"n f oup"ej"r'awpsj"di f "sjdi jf epop"vo"dpouspmp"r vpuejbop-"opodi è"evsbof "r'n"gtj"ej dpnavep"ef "ej"r'f ouvbrj"n bovuf o'ejpoj/

Mb"ghvsb"ef r'f"qf upsf "ej"dbouj sf "à"t vcpsejobub"b"r vf r'n"ef r'ejfs upsf "pqf sbujw/"Mb"ejgf sf oeb"t pt ubo'ejbrf usb"r'n"sjt qf ujuv "n bot poj"dpotjt uf "of r'gub"di f "-n f ouf "r'f"qf upsf "ej"dbouj sf "t vprhb"bujuv"qspqsb n f ouf qsbujdi f "-dpn f "r'n"t pswf hrjboeb"jo"dbouj sf "j'r'ejfs upsf "pqf sbujw"pddvqb"vo"svpr"qjò"hf t ypobr"usb"j"dpn qjuj ef r'ejfs upsf "pqf sbujw"vj"à-"jogub"-r vf r'n"ej"qspshbn n bsf "f "dppsejobjf "r'n"bujuv"ef r'f"qf upsf "ej"dbouj sf

Bhrj"jt qf upsj"ej"dbouj sf "t pop"ef n boebuj"j"tf hvf ouj"dpn qju"eb"qbsuf "ef r'ejfs upsf "ef j"r'awpsj;

- wf sjgdb"ef j"epdvn f ouj"ej"bddpn qbhb n f oup"ef r'n"gpsojuv"ef "ej"n buf sbrj"qf s"bttjdvbsf "di f "tjbop dpogpsn j"br'n"qsf tds'ejpoj"ef "bqqspwbu"eb"r'n"t uvwvuf "ej"dpouspmp"ej"r vbrj"ef r'gsojuvuf <
- wf sjgdb-"qsjn b"ef r'n"n f ttb"jo"pqf sb-"di f "j"n buf sbrj"r'n"bqqbsf ddi jbw"sf "f "hrj"jn qjboj"bccjbop tvqf sbup"r'n"gtj"ej"dpnavep"qsf tdsjuv "ebr'hdpouspmp"ej"r vbrj"p"ebr'n"opsn bujwf "vjhf ouj"p"ebr'n qsf tds'ejpoj"dpousbuwbrij"jo"cbt f "br'n"r vbrj"t pop"t ubj"dpvsvjuv<
- dpouspmp"t vnb"bujuv"ef j"t vcbqqbrubupsj<
- dpouspmp"t vnb"sf hr'bsf "f tf dv'ejpof "ef j"r'awpsj"dp"sjhvbsep"bj"ejt f hoj"f "br'n"t qf djgdi f "uf dojdi f dpousbuwbrij<
- bttjt uf oeb"br'n"qspw"ej"r'acpsbupsj<
- bttjt uf oeb"bj"dpnavej"ef j"r'awpsj"ef "br'n"qspw"ej"n f ttb"jo"tf sv'ejp"ef "bddf ub'ejpof "ef hrj"jn qjboj<
- qsf ejt qptj'ejpof "ef hrj"bu"dpoubcjrij"ef "f tf dv'ejpof "ef r'n"n jt vsb'ejpoj<
- bttjt uf oeb"br'adppsejobjupsf "qf s'rb"t tf dv'ejpof /

### 2.4.2) ACCETTAZIONE DEI MATERIALI

K'ejfs upsf "ef j"r'awpsj"i b"j'r'adpn qju"ef r'adddf ub'ejpof "ef j"n buf sbrj"qsf vjtj"ebr'qspfh up-"tjb"qsjn b"di f "epqp r'n"n f ttb"jo"pqf sb;"br'n pn f oup"jo"dvj"wf ohpop"jouspeuj"jo"dbouj sf "wbrub"r'n"t ubup"f "r'n"sf rbujwb epdvn f ou'ejpof ")bddf ub'ejpof "qsf rjm jobsf \*-"r'adddf ub'ejpof "ejw ou"ef gojuv"t prp"tvddf ttjvbn f ouf "br'n"qpt b jo"pqf sb"<sf t ubop"gf sn j"j'ejjuj"ef "j"qpuj sf"ef r'n"t ub'ejpof "bqqbrubouf "jo"tf ef "ej"dpnavep/

Of r'ef ubhrj"qsjn b"ef r'n"n f ttb"jo"pqf sb-"j"n buf sbrj"wf ohpop"dbn qjboj"ef "t pupqptj"br'n"bqqspwbe"ejpof "ef m ejfs upsf "ef j"r'awpsj-"dpn qruj"ef r'n"t di f ef "uf dojdi f "ej"sjf sjn f oup"ef "ej"uwuf "r'n"df sujgdb'ejpoj"jo"hsbep"ej hjvt ujdbsof "r'n"qsf t ub'ejpoj/"ko"ubr'n"gtf "j'r'ejfs upsf "ef j"r'awpsj"sjgv"r vf r'n"ef qf sjuj"p"opo"dpogpsn j"br'n ops n bujwb"uf dojdb-"ob'ejpobr'n"p"ef r'n"v'ojpof "f vspqf b-"br'n"dbsbuuf sjtjdi f "uf dojdi f "joejdbu"of j"epdvn f ouj br'n"hbuj"br'hdpousbu"jovjboep"r'n"t dvpsf "b"sjn vpwf s'j'lebr'hdouj sf "f"t ptjuv"sj"dp"br'n"b"qspqsf "t qf tf /"Km sjgv"à"usbtdsjup"t vr'hjpsobr'n"ef j"r'awpsj"p-"dpn vor vf "-of r'qsjn p"bup"dpoubcjrij"vujr'n"t f r'n"t dvpsf "opo qspdf ef "br'n"sjn p'ejpof "of r'f sn jof "qsf t dsjuv"ebr'ejfs upsf "ef j"r'awpsj-"r'n"t ub'ejpof "bqqbrubouf"qv"qspwef ef svj ejfs ubn f ouf "b"t qf tf "ef r'n"t dvpsf "-b"dsjdp"ef r'hr vbr'n"sf t ub"bodi f "r vbr'jtj"pof sf "p"eboop"di f "qpt b ef sjwshrij"qf s'f gf up"ef r'n"sjn p'ejpof "f tf hvjwb"evgdj/

K'ejfs upsf "ef j"r'awpsj"wf sjgdb"bodi f "j'r'ejt qf up"ef r'n"opsn f "jo"uf n b"ej"t pt uf ojcjru"bn c'f oubr'n"usb"dvj"r'n n pebrj"l"qpt uf "jo"bup"ebr'n"t dvpsf "jo"n f sjup"br'isjvt"p"ej"n buf sbrj"ej"t dbwp"ef "br'isjvdj"p"ousp"r'n"t uf ttp"dpogof ej"dbouj sf /

Ko"phoj"dbtp-"j"n buf sbrj"r'f"j"n bovubuj"qpsbu"jo"dpoubcjru"sjn bohpop"b"sjt di jp"ef "qf s'j'p"ef r'n"t dvpsf "f t pop"sjgvubuj"ebr'ejfs upsf "ef j"r'awpsj"of r'adddf ub'ejpof "ef j"r'awpsj"ef "br'n"qspw"ej"n f ttb"jo"tf sv'ejp"ef "bddf ub'ejpof "ef r'n"n jt vsb'ejpoj

n buf sbrjfl ejwf stj" eb" r vf rjfl qsf tdsjuj" dpousbuwbrn f ouf " p" di f -" epqp" rta" rpsp" bddf ub€jpf " f " n f tt b" jo" pqf sb bccjbop" sjw rhu" ejf u" p" jobef hvbu€ / " Kt'hsjgvu" à" usbt dsju" tvrthjpsobrfn" ef j" rhu" p" -" dpn vor vf -" of rhu" qsn p bup" dpoubcjrjfl" vjrfn" f oup" 26" hjspsj" ebm" t dpqf sub" ef rta" opo" dpogpsn jU/

Kogof -" j' rhu" upsf " ef j" rhu" p" rhu" shbop" ej" dprhu" vep" ejt qpop" qspw" p" bobrj" j" vnf sjps" sjt qf up" b" r vf rhu" qsf vjt u" f " ebm" rhu" hf " p" ebrhu" dbajurhu" t qf djbrfn" e" bqqbrn" gobrhu" €bu" b" t ubcjrjfl" rhu" jepof jU" ef j" n buf sbrjfl p" ef j dpn qpof ouj" f " sjf ovuf " of df tt bsjfl " ebm" t ub€jpf " bqqbrn" bouf -" dpo" t qf tf " b" dbrjdp" ef rhu" tf dvpsf /

### 2.4.3) DOCUMENTI CONTABILI

Mb" dpoubcjrjfl" ef j" rhu" p" à" f gf wvbu" n f ejbouf " rhu" j€p" ej" tuvn f ouj" f rhu" spojdj" t qf djgdj" 1\* -" di f " vt bop qjbuwbrn f -" bodi f " uf rhu" bujdi f -" jof spqf sbcjrjfl" n f €p" ej" gsn buj" b qf suj" opo" qspqsf ujsj/

K'epdvn f ouj" dpoubcjrjfl" qsf ejt qpt u" j" f " ovu" ebrhu" jsf upsf " ef j" rhu" p" ebj" ejsf upsj" pqf sbujw" p" ebrhu" jt qf upsj ej" dbouj f " ef rhu" buj" ebm" t u" t p" 2\* -" f " gsn buj" dpouf twbrn f ouf " bnta" dpn qjru€jpf " t f dpoep" rta" dspoprhj" ebj jof f sjn f oup" ef j" ebu" t pop;

- 2/ j' rhu" jpsobrfn" ef j" rhu" p" <
- 3/ j' rhu" sf u" j" ej" n jtv sb <
- 4/ j' rhu" sf hjt usp" ej" dpoubcjrjfl <
- 5/ rhu" t ubu" ej" bwbo€bn f oup" rhu" p" (TBM\* <
- 6/ j' rhu" dpou" gobrfn/

2/ K'giornale dei lavori" sjqpsub" qf s" djbt dvo" hjsop;

- rhu" sejof -" j' rhu" pep" f " rhu" u" jw" dpo" dvj" qspqsf ejt dpo" rhu" rhu" p" €jpoj <
- rhu" r vbrjgd" f " j' rhu" ovn f sp" ef hjrhu" pqf sbj" jn qj f hbu <
- rhu" usf €buw" u" f dojdb" jn qj f hbu" qf s" rhu" tf dv€jpf " ef j" rhu" p" <
- rhu" rhu" odp" ef rhu" qspwjt u" f " gsoj u" f " ebm" t f dvpsf -" epdvn f ouf " ebm" t sjt qf u" jw" f " ghuw" f " r vj f ubo€bu" f -" opodi è" r vbuwbrn" jof sf tt j" rhu" boebn f oup" u" f dojdp" f e" f dpopn jdp" ef j" rhu" p" -" jw" dpn qsf tj" rhu" j f w" ou" brjfl w" ou" j" jogsu" ojt u" j <
- rhu" jru€jdb€jpf " ef rhu" djsdpt ubo€f " f " ef hjrhu" bw" ojn f ouj" f " rhu" u" jw" bj" rhu" p" di f " qptt bop" jogsu" f " tvj n f ef tjn j" jof sf oepw" rhu" ptt f sw€jpoj" n f u" f psprhjdj f " f " jespn f usjdi f -" rhu" jru€jdb€jpoj" tvrhu" obuw" ef j" u" f ssf o" j" f " r vf rhu" qbsjdp rhu" jw" di f " qptt pop" f tt f sf " v u" j <
- rhu" ejt qpt j€jpoj" ej" t f sw€jpoj" f " hjrhu" p" sejoj" ej" t f sw€jpoj" ef rhu" SVQ" f " ef rhu" jsf upsf " ef j" rhu" p" <
- rhu" sf rhu" jru€jdb€jpoj" jru€jdb€jpoj" f " brhu" SVQ <
- j" qspdf tt j" w" f sbrjfl" bddf subn f oup" ej" ghu" jw" p" ej" f t qf sjn f oup" ej" qspw <
- rhu" dpouf t ub€jpoj" -" rhu" t pt qf otjpoj" f " rhu" sjqsf t f " ef j" rhu" p" <
- rhu" vbsjbu" jw" brn f ouf " ejt qpt u" f -" rhu" n pejgdj f " p" bhjvof " bj" qsf €j <

3/ K'libretti di misura (3) " ef rhu" rhu" p" €jpoj" f " ef rhu" qspwjt u" f " dpouf ohpop" rta" n jtv sb€jpf " f " dntt jgd€jpf " ef rhu" rhu" p" €jpoj" f gf wvbu" ebrhu" jsf upsf " ef j" rhu" p" / K' rhu" jsf upsf " ef j" rhu" p" dv sb" di f " j' rhu" sf u" j" t j bop" bhjpsobu" j n f ejbu" n f ouf " gsn buj" ebm" t f dvpsf " p" ebrhu" f dojdp" ef rhu" t f dvpsf " di f " i b" bttjt u" jw" brhu" jrfwbn f oup" ef rhu" n jtv sf /

K' rhu" sf u" j" ef rhu" n jtv sf " qptt pop" bodi f " dpouf of sf " rhu" ghv" f " r vpbu" f " ef rhu" rhu" p" €jpoj" f t f hvju" -" j" qspgjrl" f " j" qjboj r vpbu" j" sbqj hvsbu" rhu" t ubu" ef rhu" dpt f " qsn b" f " epqp" rhu" rhu" p" €jpoj" -" p" rhu" f " bnta" n f n psj f " f t qjru" bujw" brhu" jof " ej ejn pt usf " di jbsn f ouf " f e" f t bubn f ouf -" of rhu" t v" f " vbsj f " qbsj -" rta" gsn b" f " j' rhu" pep" ej" f t f dv€jpf /

4/ K'registro di contabilità (4) " à" j' rhu" epdvn f oup" di f " sjbttvn f " f " bddf ou" b" rhu" jof sb" dpoubcjrjfl" €jpoj" ef rhu" qf sb- jo" r vbou" b" djbt dvo" r vbu" jw" ej" rhu" p" €jpoj" f t f hvju" f " f " sf hjt usbu" of rhu" rhu" jsf up" ej" n jtv sb" btt pdjb" j dpssjt qpoef ouj" qsf €j" dpousbuwbrn" jo" n pep" ubrhu" eb" ef u" sn jobsf " rhu" bwbo€bn f oup" ef j" rhu" p" opo" t p" rhu" bou" t pup j' rhu" qspgjrl" ef rhu" r vbu" jw" f t f hvju" n b" bodi f " t pup" r vf rhu" ef rhu" dpssjt qf u" jw" n buwbrn" ebm" t f dvpsf / K' rhu" sf hjt usp" à" t pup qpt u" brhu" t f dvpsf " qf s" rhu" t v" b" t pup t dsj€jpf " jo" pddbtjpf " ej" phoj" TBM

5/ M"stato di avanzamento lavori" SAL \* " sjbttvn f " wu" f " rhu" rhu" p" €jpoj" f " wu" f " rhu" t pn n jout usb€jpoj" f t f hvju" ebrhu" jsjodjqp" ef rhu" bqqbrn" t jop" be" bnta" s" à" sjdbwbu" ebrhu" f hjt usp" ej" dpoubcjrjfl" f " sjrhu" djbu" of j" u" f sn joi" f n pebrhu" j" jru€jdbu" of rhu" epdvn f oup€jpf " ej" hsb" f " of rhu" dpousbu" ej" bqqbrn" -" bj" goj" ef rhu" qbhn f oup" ej" vob sbu" ej" bddpou" / K' rhu" TBM" sjqpsub;

- j' rhu" dpssjt qf u" jw" n buwbrn <
- hjrhu" bddpou" j' rhu" j' u" dpssjt qpt u <
- rhu" n poubsf " ef rhu" bddpou" eb" dpssjt qpoef sf -" tvrhu" cbt f " ef rhu" ejgf sf o€b" usb" rhu" qsn f " evf vpdj/

K' rhu" jsf upsf " ef j" rhu" p" usbn f u" f " jn n f ejbu" n f ouf " j' rhu" TBM" brhu" SVQ" j' rhu" vbrhu" f n f u" f " j' rhu" t f sjgdub" ej" qbhn f oup/ Qf wj" w" sjgdub" ef rhu" sf hrhu" sjw" dpousjv u" w" ef rhu" t f dvpsf -" j' rhu" SVQ" jowj" j' rhu" f sjgdub" ej" qbhn f oup" bnta

tu b'epof "bqqrubouf "qf s' r' n jttj pof "ef r'n boebup"ej"qbhbn f oup<phoj"df sujgdbup"ej"qbhbn f oup"n f ttp"ebm SVQ"à"boopubup"of r'hsf hjt usp"ej"dpoubcjruj/

6/" jr' **conto finale** " ef j' r'wvpsj" vj of " d'pn qjrbup" ebr'hejsf upsf " ef j' r'wvpsj" b" tf hvjup" ef r'n" df sujgdb'epof ef r'n r'n b'epof "ef j' r'wvpsj" f "usbt n f ttp"br' SVQ"vojubn f ouf "b"vob"sf r'w'epof "-jo"dvj"tpop"joejdbuf "r'n"vjdf oef br'n"r' vbrj"r' tf dv'epof "ef r'wvpsj" à"tphhf ub-"br'n"hoep"uub"r'n"sf r'w'w"epdvn f oub'epof )5/ K'rdpoup" gobr'n"vj of "t puupt dsjup" ebr'n" tf dv'upsf /"B'ndoup"ef r'n" gsn b-"r' n" tf dv'upsf "opo"qv1 "jt dsjw sf "epn boef qf s' phhf up" p" qf s' jn qpsup" ejw sf "eb"r' v' r'n" gsn vrbuf "of r'hsf hjt usp"ej"dpoubcjruj" evsbouf "r'n" t wpr'njn f oup ef j' r'wvpsj-"n b"ef w' r'n" jubst j" b" d'pog sn bsf "r'n" s'jt f swf "hj'j"t dsjuf "of hj'j"bu j"dpoubcjruj" T'f r' n" tf dv'upsf "opo"gsn b j'rdpoup" gobr'n" of r'uf sn jof "bt tf hobup-"opo"tvqf sjpsf "b"41" h'jpsoj" p" tf "r'n" t puupt dsjw "tf o'eb" d'pog sn bsf "r'n" epn boef "hj'j" gsn vrbuf "of r'hsf hjt usp"ej"dpoubcjruj" j'rdpoup" gobr'n" t j' j'ouf oef "ef gojwbn f ouf "bddf ubup/" Km SVQ" f oup" j' t vddf t t j' vj "71" h'jpsoj" sf ejhf "vob" qspqsb" sf r'w'epof "gobr'n" s'jt f swbub" of r'n" r' vbr'n" f t qsjn f "qbsf sf n puwbup" t v' r'n" goebuf "eb" ef r'n" epn boef "ef r'n" tf dv'upsf /

**Art. 2.5**

**PROGRAMMA DI ESECUZIONE DEI LAVORI - CRONOPROGRAMMA - PIANO DI QUALITÀ**

Qsjn b"ef r'w'epof "ef j' r'wvpsj" r' n" tf dv'upsf "qsf tf oub" b'n" t ub'epof "bqqrubouf "vo" qspshbn n b" ej" f tf dv'epof "ef j' r'wvpsj" ef ub' h'jup" bj" tf otj" ef r'w'epof "43" d/" : " ef r'n" h'jup" K/8" ef r' h' e/r' n" /" 4703134-" joejqf oef ouf " ebm dspopqspshbn n b-" of r' r' vbr'n" tpop" sjqpsubuf "-" qf s' phoj" r'wvpsb'epof "-" r'n" qsf vjt'poj" sjhvbsep" jr' qf sjep" ej f tf dv'epof "-" r'n" n poubsf " qsf tvoup "-" qbs'ejbr'n" f " qspshf t jwp "-" ef r'w'epof "vob" f oup" ef j' r'wvpsj" br'n" t d'bef o'ef dpousubw/bm f ouf "t ubcjr'uf "qf s' r' n" j' vjeb'epof "ef j' df sujgdbj"ej"qbhbn f oup/

**Cronoprogramma**<sup>1\*</sup>

K'rqsp'up" f tf dv'jwp" à" d'pssf ebup" ef r'ndspopqspshbn n b-" d'p'ujwup" eb" vo" e'jshbn n b" di f " sbqqsf tf oub hsb'gdbn f ouf "-" jo" gsn b" di j'bsbn f ouf " r'n" h'jup" r'n" uuf "r'n" g'bt j" buw'bjw" ef r'n" ouf swf oup "-" jw' d'pn qsf tf "r'n" g'bt j" ej sf eb'epof "ef r'qsp'up" f tf dv'jwp "-" ej" bqqs'w'epof "ef r'qsp'up" ej" b'g'ebn f oup" ef j' r'wvpsj "-" ej" f tf dv'epof "ef j' r'wvpsj" opodi è "ej" d'p'w'ep" p" ej" f n jttj pof "ef r'ndf sujgdbup" ej" sf h'p'asf "f tf dv'epof "ef j' r'wvpsj" p'w" qsf vjt'uj" tf d'poe r'w'opsn bujw" jo" n buf sjb "-" f "qf s' d'jbt dvob" g'bt f "joejdb" j' sf r'w'w'uf n qj" ej" buw'epof /

K'rdspopqspshbn n b-" jop'asf "-" sjqpsub "-" jo" qbs'j'p'asf "-" r'n" t f r' v' o'eb" ef r'n" r'wvpsb'epoj" di f " b'g'f s'jt d'pou" b'n" g'bt f ej" f tf dv'epof " ef j' r'wvpsj "-" d'pou" r'n" q'bojgdb'epof " ef r'n" r'wvpsb'epoj" hf t'j'c'j' b'vopn bn f ouf "-" f " qf s' d'jbt dvob r'wvpsb'epof "sbqqsf tf oub" hsb'gdbn f ouf "j' sf r'w'w'uf n qj" ej" f tf dv'epof "f "j' sf r'w'w'uf n qj" d'p'uj/

Of r'nd'p'asf" ef r'uf n q'p' dpousubw'br'n" ef w' "uf of st j' dpou" ef r'n" qsf w' e'j'c'j' r'n" j'od'jef o'eb" ef j' h'jpsoj" ej" boebn f oup t ub'j'pobr'n" t g'w'psf v'p'r'n/

Of j' d'bt j' jo" dvj" j' r'wvpsj" t j' bop" b'g'ebj" t v' r'n" c'bt f " ef r'qsp'up" ej" g'w'j'c'j' r'n" t f d'poe" r' v' bop" qsf vjt'up" ebm d'pejdf "-" j' r'ndspopqspshbn n b" à" qsf tf oubup" ebr'n" d'p'asf ouf "jot j' f n "d'pou" r'w'epof sub/

B" ub' r'n" n pef r'n" ej" dpousubw' "hf t'ujpof "ef r'qsp'up" ttp" ej" sf b'g'eb'epof "ef r'n" ouf swf oup" qv1 "f ttf sf "bt t'p'd'j'up r'w'ep" ej" n f upej" f "t usv n ouj" ej" hf t'ujpof "jogsn bujw" e'j' h'j'br'n" ef r'n" d'p'usv'epoj" ej" dvj" b'n" r'w'epof "54" ef r'nd'pejdf - opodi è "ej" uf dojdi f "qf d'j'gdi f "ej" hf t'ujpof "j'ouf hsbub" ef r'n" ouf swf oup/

**Piano di qualità di costruzione e di installazione**<sup>2\*</sup>

M'f tf dv'upsf "sf ejhf "jr'qj' bop" ej" r' vbr'n" u' ej" d'p'usv'epof "f "ej" jot ub'epof "bj" tf otj" ef r'w'epof "43" d/" 6" ef r'n" h'jup" K/8" ef r' h' e/r' n" /" 4703134-" di f "qsf w' ef "-" q'bojgdb" f "qspshbn n b" r'n" d'poej'epoj "-" t f r' v' o'ef "-" n p'eb'ruj" t usv n f oub'epoj- n f "e'j" e" p'qf sb" f "g'bt j" ef r'n" bujw' u' ej" dpousubw' ef r'n" g'bt f "f tf dv'jwb" /" K'rqj' bop" à" t ubup" bqqs'w'up" ebr'hejsf upsf "ef j' r'wvpsj" f " ef gojt df " j" dsjuf sj" ej" w' m'ub'epof " ef j' n buf s'j'br'j' f " ef j' "qsp'epuj" jot ub'epoj" f " j" dsjuf sj" ej" w' m'ub'epof " f s'jt p'w'epof "ef j' w' ou'br'j' l'opo" d'pogsn j' u/

**Art. 2.6**

**CONSEGNA DEI LAVORI**

Qsjn b"ej" qspdf ef sf "b'n" d'pot f hob-"j' r'hejsf upsf "ef j' r'wvpsj" buf t ub' r'n" t ubup" ef j' r' m'phi j' w' s'j'g'd'boep;

- r'nddf t t j'c'j' r'n" ef r'n" bsf f "f "ef h'j'j'n n p'c'j'j' j'ouf sf t t buj" e'j' r'wvpsj "-" t f d'poe" r'n" joejdb'epoj" s'jt v'rbouj" e'bh'j'n f r'nc'psuj" qsp'hf u'v'br'j'c;
- r'ntt f o'eb" ej" jn qf ejn f ouj" b'n" sf b'g'eb'epoj" ef r'qsp'up "-" t p'qsbw'f ouj" s'jt qf up" b'hr'j' bddf subn f ouj f g'f u'v'uj" qsjn b"ef r'nd'qsp'w'epof "ef r'qsp'up" n ef t jn p/

M'bu'j'w' u' à" epdvn f oubub" busbw' st p" bqqt'jup" w' s'c'br'n" ej" t p'qsb'w' m'p'hp" di f "vj' of "usf bt n f ttp" br' SVQ/

M' d'pot f hob" ef j' r'wvpsj" phhf up" ef r'nd'q'q'br'up "-" b'n" tf dv'upsf "bw'j' of "eb" qbsuf "ef r'hejsf upsf "ef j' r'wvpsj" qsf vj' b' e'j' t'q'p'j'epof "ef r' SVQ" bj" tf otj" ef r'w'epof "4" ef r'n" h'jup" K/25" ef r' h' e/r' n" /" 4703134-" opo" p'asf "56" h'jpsoj" e'br'n" e'ub" ej

sf hjt usbEjpopf "bmb" Dpsuf "ef j" dpouj"ef rtf dsf up"ej"bqqspwEjpopf "ef rtdpousbup"-f "opo"praf "56"hjpsoj"ebmb"ebub"ej bqqspwEjpopf "ef rtdpousbup" r vboep"rb"sf hjt usbEjpopf "ef rmb" Dpsuf "ef j" dpouj"opo"à"sjdi jf t ub"qf s'rhnhf <of hjrbrnsj dbtj"jrtuf sn jof "ej"56"hjpsoj"ef dpssf "ebmb"ebub"ej"t uqvrta"ef rtdpousbup/

Krhejs upsf "ef j" Mbwpsj-"dnp vojdb" dpo" dpohsvp" qsf bwjtp" bmb"tf dvupsf "-"jrhjpsop" f "jrhvphp" jo" dvj"ef wf qsf tf oubstj-"n vojup"ef rtaf st pobrn"jepof p-"opodi è"ef rmb"busf Eebwuf "f"ef j"n buf sbrj"lof df ttbsj"qf s"tf hvjsf -pwf "pddpsb-"jrhvbdjbn f oup"ef j"rhwpsj"tf dpoep"qjboj-"qspgjt"ef j"hoj"ej"qspfh up/

Bwuf ovub"rb" dpotf hob-"jrhjsf upsf "ef j" rhwpsj" f " rft tf dvupsf " tpupt dsjwpop" bqaptjup" wf scbrn" di f " vjf of usbt n f ttp"brtSVQ-"ebmb"dvj"ebub"ef dpssf "jrtuf sn jof "qf s"jrtupn qrnubn f oup"ef j"rhwpsj/

Krtwf scbrn"dpouj of ;

- rft"dpoejEjpopj" f "djsdpt uboE" "t qf djbrj"rtdbrj"tsjdpopt djvuf "f"rft"pqf sbEjpopj"tf hvjuf "-"dnp f "j"usbddjbn f ouj-hjrtbdf subn f ouj"ej"n jtvsb-"j"dpnrdn f ouj"ej"t bhpn f "f"dbqjt bræj<
- rtoejdbEjpopf "ef rmb"bsf f "-"ef j"rtdbrj"ef rmb"dpoejEjpopj"ej"ejt qpojcjru"ef j"n f Ee"pqf sb"qf s'rhnhf tf dvEjpopf ef j" rhwpsj" ef rmb"tf dvupsf "-"opodi è"ef rmb"cjdbEjpopf "f"ef rmb" dbqbdjw" ef rmb" dbwf "f"ef rmb" ejtdbsjdi f dpodf ttf "p"dpn vor vf "b"ejt qptjEjpopf "ef rmb"tf dvupsf "tuf ttp<
- rb"ejdi jbsbEjpopf "di f "rbsf b"tv"dvj"ef wpop"tf hvjstj"j"rhwpsj"à"rtaf sb"eb"qf st pof "f" dptf "f"jo"phoj dbtp-"di f "rt"tubup"buwbrn"à"brn"eb"opo"jn qf ejsf "rhwvjw" f "rb"qsptf dvEjpopf "ef j"rhwpsj/

Tpop"b"dsjdp"ef rmb"tf dvupsf "hrtj"pof sj"qf s'rhnhf"qf tf "sf rhuwv" bmb" dpotf hob-"bmb"wf sjgdb" f "brtdpn qrnubn f oup ef rhusddjbn f oup"di f "gttf "tubup"hjU" f tf hvjup"b"dvub"ef rmb"tubEjpopf "bqqbrubouf /

Mf tf dvupsf "eU"joEjpop"bj"rhwpsj" f oup"56"hjpsoj"ebmb"t uqvrta"ef rtdpousbup" f "tj"qf wf ef "di f "rvtgn bEjpopf "ef rmb pqf sf "bqqbrubouf "bwuf ohb" f oup"jrtuf sn jof "ej"hjpoj"540 ef dpssf ouj"ebmb"ebub"ef rtwf scbrn"ej" dpotf hob/

**Mancata consegna**

- Of rtdbt p"jo" dvj"tj"sjt dpousjop"ejgf sf oE" qsb"rft"dpoejEjpopj"rtdbrj" f "jrtqspfh up"tf dvujw-"opo"tj"qspdf ef bmb" dpotf hob" f "jrhjsf upsf "ef j" rhwpsj" of "sjg sjt df "jn n f ejbubn f ouf "brtSVQ-"joejdboep" rft" dbvtf "f rjn qpsboE"ef rmb"ejgf sf oE" sjt dpousbup"sjt qf up"bhrtbdf subn f ouj" f gf uwby"jo"tf ef "ej"sf ebEjpopf "ef m qspfh up"tf dvujw" f "ef rmb"t vddf ttjw" wf sjgdi f "-"qspqof oep"j"qspwv ejn f ouj"eb"bepubsf /
- Of rtdbt p"jo" dvj" rft tf dvupsf "opo"qsf oE" qbsf "bmb" dpotf hob"ef j"rhwpsj-"t oE" hjvt ugdub"n puw-"rb tubEjpopf "bqqbrubouf " qv" gt tbsf "vob"ovpw"ebub" ej" dpotf hob-"g sn b"sf t uboep"rb" ef dpssf oE"ef m uf sn jof " dpousbuwbrn" ebmb" ebub" ef rmb" qsn b" dpowdbEjpopf "-" pqqvsf " sjt p wsf " jrh dpousbup" f e jodbn f sbf "rb"dbvEjpopf /
- Mb" dpotf hob" qv" "opo" bwuf ojsf " qf s" dbvtb" jn qvubcjrn" bmb" tubEjpopf " bqqbrubouf " f e" jo" brtdbt p rft tf dvupsf "qv" "di jf ef sf "jrtf df ttp"ef rtdpousbup/ Tf "rft uboE"ej"sf df ttp"vjf of "bddpnb-"rft tf dvupsf "i b"ejjup"brtsjn cpst p"ef rmb"t qf tf "dpousbuwbrn f gf uwjbn f ouf "tpt uf ovuf "f" epdvn f oubuf "-"dbrdrup" tvnrtjn qpsup" of up" ef rmb"bqqbrubouf" jo" n jtvsb"opo tvqf sjpsf "bmb"qf sdf ouwbrj"sjqpsubuf "brtdpn n b"23"ef rtaf ef up"bsu" 4;

- 2-11& "qf s'rb"qbsuf "ef rmb" qpsup"jop"b"369/111" f vsp<
- 1-61& "qf s'rtf ddf ef oE"jop"b"2/65: /111" f vsp<
- 1-31& "qf s'rb"qbsuf "f ddf ef ouf "2/65: /111" f vsp/

Mb"sjdi jf t ub"ej"qbhbn f oup"ef rmb"t qf tf "-"ef cjubn f ouf "r vbojgdbub-"à"joprusub"b"qf ob"ej"ef dbef oE f oup"71"hjpsoj"ebmb"ebub"ej"sjdf vjn f oup"ef rmb"dpn vojdbEjpopf "ej"bddphrjm f oup"ef rmb"uboE"ej sf df ttp" f e"à"qpsn vrub"b"qf ob"ej"ef dbef oE"n f ejbouf "sjt swb"eb"jt dsjw sf "of rtwf scbrn"ej" dpotf hob ef j"rhwpsj" f "dpog sn bsf "of rtsf hjt usp"ej"dpoubcjru/

Of rtdbt p"ej"bqqbrubouf"ej"qspfh ubEjpopf "f e" f tf dvEjpopf "-"rft tf dvupsf "i b"bruf t'ejjup"brtsjn cpst p"ef rmb t qf tf "-"of rmb" qpsup"r vbojgdbub"of j"epdvn f ouj"ej"hsb" f "ef qvsbup"ef rtsjcbt ttp"pgf sup-"ef j"rtwv rjlej qspfh ubEjpopf "ebmb"tuf ttp"sf ebuj" f "bqqspwuj"ebmb"tubEjpopf "bqqbrubouf /

Tf "rft uboE"ej"sf df ttp"opo"vjf of "bddpnb"2\*-"tj"qspdf ef "bmb"consegna tardiva"ef j"rhwpsj-"rft tf dvupsf i b"ejjup"brtsjtsdjn f oup"ef j"eboo"dbvt by"ebrtsj bsep-"qbsj"brtjof sf ttf "rhhbrn"dbdrup"tvnrtjn qpsup dpssjt qpoef ouf "bmb"qspevEjpopf "n f ejb"hjpsobrj"sb"qsf vjt ub"ebrtsj bsep"qspqspshbn n b"of rtaf sjep"ej sjbsep-"dbdrup"ebrhjsop"ej"opygdb"ef rmt uboE"ej"sf df ttp"jop"bmb"ebub"ej" f gf uwjbn" dpotf hob"ef j rhwpsj/

**Sospensione**

Bwuf ovub"rb" dpotf hob-"rb" tubEjpopf "bqqbrubouf "qv" "tpt qf oE sf "j"rhwpsj"qf s"sbhjpoj"opo"ej"qpsE"n bhjpsf -qvdi è"rb"tpt qf otjpopf "opo"tj"qspubhhb"qf s"qjò"ej"71"hjpsoj/"Usbdpstp"jovujm f ouf "brn"uf sn jof "-"rft tf dvupsf qv" "di jf ef sf "rb"sjt p wEjpopf "ef rtdpousbup"bmb"tuf ttp"n pep"ef rtdbt p"ej" dpotf hob"ubsejwb"qf s"dbvtb"jn qvubcjrn bmb"tubEjpopf "bqqbrubouf /

**Consegna parziale**

Il direttore dei lavori provvede alla **consegna parziale** dei lavori nei casi di temporanea indisponibilità delle aree e degli immobili ed, in contraddittorio con l'appaltatore, sottoscrive il verbale di consegna parziale dei lavori.

Al riguardo, l'esecutore presenta, a pena di decadenza dalla possibilità di iscrivere riserve per ritardi, un programma di esecuzione dei lavori che preveda la realizzazione prioritaria delle lavorazioni sulle aree e sugli immobili disponibili. Tuttavia, se le cause di indisponibilità permangono anche dopo che sono stati realizzati i lavori previsti dal programma, si applica la disciplina relativa alla sospensione dei lavori.

Nel caso di **consegna d'urgenza**, il verbale di consegna indica, altresì, le lavorazioni che l'esecutore deve immediatamente eseguire, comprese le opere provvisoriale.

## **Art. 2.7 SOSPENSIONI E TERMINE DI ULTIMAZIONE LAVORI**

È disposta la sospensione dell'esecuzione<sup>(1)</sup> ai sensi dell'art. 121 del d.lgs. 36/2023:

- quando ricorrono circostanze speciali che non erano prevedibili al momento della stipulazione del contratto e che impediscono in via temporanea che i lavori procedano utilmente a regola d'arte - il direttore dei lavori compila il verbale di sospensione e lo inoltra al RUP entro 5 giorni;
- per ragioni di necessità o di pubblico interesse - da parte del RUP.

Il direttore dei lavori dispone la sospensione dei lavori, redigendo, con l'intervento dell'esecutore o di un suo legale rappresentante, il verbale di sospensione - ai sensi dell'art. 8 c. 1 dell'allegato II.14 del codice - riportando:

- le ragioni che hanno determinato l'interruzione dei lavori;
- lo stato di avanzamento dei lavori e delle opere la cui esecuzione rimane interrotta e le cautele adottate al fine della ripresa dell'intervento e della sua ultimazione senza eccessivi oneri;
- la consistenza del personale impiegato e dei mezzi d'opera presenti in cantiere al momento della sospensione.

La sospensione si protrae per il tempo strettamente necessario.

Se la sospensione supera 1/4 della durata complessiva prevista per l'esecuzione dei lavori, il RUP dà avviso all'ANAC; contrariamente, l'ANAC irroga una sanzione amministrativa alla stazione appaltante ai sensi dell'art. 222 c.13 del codice.

In questo caso - sospensione > 1/4 o 6 mesi della durata complessiva prevista per l'esecuzione - l'esecutore può chiedere la risoluzione del contratto senza indennità; se la stazione appaltante si oppone, l'esecutore ha diritto alla rifusione dei maggiori oneri derivanti dal prolungamento della sospensione oltre i termini suddetti.

Cessate le cause di sospensione, il RUP ordina la ripresa dell'esecuzione dei lavori ed indica un nuovo termine contrattuale. Entro 5 giorni dalla disposizione di ripresa dei lavori, il direttore dei lavori redige il verbale di ripresa dei lavori, sottoscritto anche dall'esecutore, con indicazione del nuovo termine contrattuale. Se l'esecutore ritiene che siano cessate le cause che hanno determinato la sospensione temporanea dei lavori, ma il RUP non ha ancora disposto la ripresa dei lavori, l'esecutore può diffidarlo e dare le opportune disposizioni per la ripresa al direttore dei lavori; la diffida è condizione necessaria per poter iscrivere riserva all'atto della ripresa dei lavori.

Quando, a seguito della consegna dei lavori, insorgono circostanze che impediscono parzialmente il regolare svolgimento dei lavori per cause imprevedibili o di forza maggiore, l'esecutore prosegue le parti di lavoro eseguibili, mentre si provvede alla sospensione parziale dei lavori<sup>(2)</sup> non eseguibili, dandone atto in apposito verbale.

Le contestazioni dell'esecutore riguardo alle sospensioni dei lavori, comprese anche quelle parziali, sono iscritte, a pena di decadenza, nei verbali di sospensione e di ripresa dei lavori. Se la contestazione riguarda esclusivamente la durata della sospensione, è sufficiente l'iscrizione della stessa nel verbale di ripresa dei lavori; nel caso in cui l'esecutore non firma i verbali, deve farne espressa riserva sul registro di contabilità.

Se le sospensioni dei lavori, totali o parziali, sono disposte dalla stazione appaltante per cause diverse da quelle sopra individuate, l'esecutore può chiedere, previa iscrizione di specifica riserva, a pena di decadenza, il risarcimento dei danni subiti, quantificato sulla base di quanto previsto dall'articolo 1382 c.c. e secondo i criteri individuati dall'art. 8 c.2 dell'allegato II.14 del codice:

$$1. \quad O_{sgj,max} = 0,65 \left( \square_c - U_i - S_{gg} \right) \square_{sosp} / T_{contr}$$

dove:

- $O_{sgj,max}$  = limite massimo per il risarcimento dovuto ai maggiori oneri per le spese generali

jogsvujgf sf

- Ki">"jn qpsup"dpousbuwbrfn
- Vj">"vujrf"ej"jn qsf tb">"21& "K
- Tn">"tqf tf "hf of sbjrl">"26& "K
- Udpous">"uf n qp"dpousbuwbrfn
- htpq>"hjpsoj"tptqf otjpod

3/"rntjpod "ef nrvjrf"dpodjef ouf "dpo"rb"sjubsebu"qf sdf efpof "ef nrvjrf"ej"jn qsf tb"-of nbn"n jtvsv"qbsj"bhjn joul sf ttj"rnhbjr"ej"n psb"ej"dvj"bnbsu/3-"d"/2-"rfu"/f \*-"ef rre/rnt/"34203113-"dpo qvubj"tvnb"qf sdf ouwbrfn ef r21"& "-sbqqpsub"bnb"evsbub"ef nrvjrf"ej"jn b"tptqf otjpod <

4/"n bodbu"bn n psbn f oup"sf usjv"epoj"jovujm f ouf "dpsjt qpt uf "sjg sjj"sjtqf ujbv f ouf "brvbrpsf"sf brfn-brnbup"ef nbn"tptqf otjpod "-ef j"n bddi jobsj"tjt uf ouj"jo"dbouj sf "f"bnb"dpotjt uf oeb"ef nbn"n bopepqf sb bddf subj"ebrtejsf upsf "ef j"rhwpsj<

5/" ef uf sn jobepof "ef nbn n psbn f oup" tvnb" cbt f " ef j" dpf ggdj f ouj" boovj" gttbu" ebrfn" opsn f " gtdbrj vjhf ouj/

Mf tf dvpsf "vrgj b"j"rhwpsj"of ruf sn jof "tbcjrup"ebhrij"bu"dpousbuwbrfn"ef dpssf ouf "ebnb"ebub"ef ruf scbrfn"ej dpotf hob"pqqvsvf "-jo"dbtp"ej"dpotf hob"qbsjbrfn"-ebnrvjrf"p"ef j"vf scbjr"ej"dpotf hob"ef "dpo vojdb"qf s"jtdsjup"bm ejf upsf "ef j"rhwpsj"r"vrgj b"epof /"Ktejsf upsf "ef j"rhwpsj"qspdf ef "brfn"of df ttbsj"dpot ubub"epoj"jo"dpousbeejupsj/ Mf tf dvpsf "opo"i b"ejjup"brn"tdjphjm f oup"ef rhdousbu"oè"be"brdvob"joef oojw"tf "j"rhwpsj-"qf s"r vbrtjbtj dbvtb"opo"jn qvbcjrf"brn"tubepof "bqqbrubouf "-opo"tjop"vrgj bu"of ruf sn jof "dpousbuwbrfn"r vbmor vf "tjb"jm n bhjps"uf n qp"jn qjf hbup/

Mf tf dvpsf "di f "-qf s"dbvtf "b"rvj"opo"jn qvbcjrf"opo"tjb"jo"hsbep"ej"vrgj bsf "j"rhwpsj"of ruf sn jof "gtdbup-qv" "sidi jf ef sof "rb"qspshb"dpodpohsv"bouj"qpt"sjtqf up"bnb"t dbef oeb"ef ruf sn jof "dpousbuwbrfn/

Tvnt uboeb"ej"qspshb"ef djef "-f oup"41"hjpsoj"ebrtvp"sjdf vjn f oup"jrtSVQ"tf ouj"jrtjsf upsf "ef j"rhwpsj"3\*/

#### Art. 2.8

### ESECUZIONE DEI LAVORI NEL CASO DI PROCEDURE DI INSOLVENZA

Goup"tbmp"rvboup"qsf vjtup"ebj"dpn n j"5" f "6" ef nbsu"235" ef rre/rnt/"4703134-"jo"dbtp"ej"rj vjebepof hvejbrfn-"ej"rj vjebepof "dpub"ef "dpodpsebu"qsf wf oujwp-"pqqvsvf "ej"sjt pme"epof "ef rhdousbu"bj"tf otj"ef nbsu/233"p"ej"sf df tt"p"ebrhdousbu"bj"tf otj"ef nbsu"99-"d"/5. uf s-"ef rhdpejdf "ef nbn"rnhj"bouj bgb"ef "ef nbn"n jtvsvf "ej qsf wf oepof "-ej"dvj"brte/rnt/"26: 03122-"pqqvsvf "jo"dbtp"ej"ejdi jbsbepof "hvejbrfn"ej"jof ggdjdb"ef rhdousbu-"rb tubepof "bqqbrubouf "joul qsf nbn"qspshf ttjvbn f ouf "j"tphhf uj"di f "i boop"qbsf djabup"brn"sjhjobsj"qspdf evsb"ej hsb-"sjtvubou"ebnb"sf rhujb"hsbevupsj"-qf s"tjvqrbsf "vo"ovpwp"dpousbu"qf s"rhwpsj"epof "ef nbn"tf dvepof "p ef rhdn qrnbn f oup"ef j"rhwpsj-"tf swj"p"qsojwsvf "-tf "uf dojdbn f ouf "f e"ef dpopn jdbn f ouf "qpttjcjrf/

Mbgjebn f oup" bwwj of "brfn" n f eftjn f "dpoej"epoj" hju" qspqpt uf "ebn"sjhjobsj" bhjvejdbusj" jo" tf ef "ej pgf sub"1\*/

Kth dvsubpsf "ef nbn" qspdf evsb" ej" rj vjebepof " hvejbrfn-"bvupsj"ebub" ebrh hvejdf "ef rnhbu" brn"tf sdj"ep qspwjt psj" ef nbn" qsf tb"- tjqvrb" jh dpousbu"2\*/ r vbrpsb" rnh hvejdbepof "tjb" joul sw ovub" qsjn b" ef nbn ejdi jbsbepof "ej" rj vjebepof " hvejbrfn" f e" f tf hvf "jhdousbu" hju" tjqvrbup" ebrn" qsf tb" bttphhf ubub" brn rj vjebepof "hvejbrfn/

#### Art. 2.9

### RISOLUZIONE DEL CONTRATTO

Mb"tubepof "bqqbrubouf "sjt pme"jhdousbu"ej"bqqbrubouf"-tf oeb"rj juj"ej"uf n qp"-tf "sjdpsf "vob"ef nbn"tf hvf ouj dpoej"epoj;

b\*/n pejgdb"tptubepof"ef rhdousbu-"bj"tf otj"ef nbsu"231"d"/7"ef rre/rnt/"4703134<

c\*/n pejgdi f "ef ubuf "ebnb"of df ttjw"ej"rhwpsj"tvqqrhn f oubsj"opo"jodntj"of nbn"bqqbrubouf"ef "wbsjbu"jo"dpst p e(pqf sb)"bsu/"231"d"/2"rfu"/c \*-"d\*-"ef rhdpejdf \*of rhdtp"jo"dvj"rhn f oup"ej"qsf eep"df df "jrt61"& "ef m vbrpsf "ef rhdousbu"jojbrfn<

d\*/n pejgdb"ef rhdousbu"tvqf sb"rnt"phrj "ej"sjrnb"vob"ef vspqf b")bsu"25"ef rhdpejdf \*<

e\*/n pejgdb"tvqf sb"jrt26& "ef rhwbrpsf "jojbrfn"ef rhdousbu"qf s"j"dpousbu"ej"rhwpsj<

f \*sjdpsf "vob"ef nbn"dbvtf "ej"ftdntjpod "bvupn bujdb"qsf vjt uf "ebn"bsu": 5"d"/2"ef rhdpejdf <

g\*/vjrbepof "ef hrj"pccrjmi "j"ef sjvbu"ebj"usbubj"-dpo f "sjdpopt djvup"ebnb"Dpsf "ej"hjvt ujeb"ef nrvj"epof f vspqf b"jo"vo"qspdf ejn f oup"-bj"tf otj"ef nbsu"369"ef rUUVF<

h\*/ef dbef oeb"ef nbn"tubepof "ej"r vbrjdbepof "ef nbn"tf dvpsf "ef j"rhwpsj"b"dbvtb"ej"brnb"epdvn f ouepof p"ejdi jbsbepoj"n f oebdj<

i \*qspwvf ejn f oup"ef gojvwp"di f "ejtqof "rhwqrbepof "ej"n jtvsvf "ej"qsf wf oepof /

Kf'pousbup"ej"bqqrnp"qv" f ttf sf "sjtprnp"qf s"hsbw" jobef n qjn f oup"ef rñ"pccrñhbējpoj"dpousbuwbrjleb"qbsf ef rñ"bqqrnpbupsf -"brñ"eb"dpn qspn f uf sf "rñ"cvpob"sjvdjub"ef rñ"qsf t ubējpoj<"jo"r vf t up"dbtp-"jñhejsf upsf "ef j rñwpsj-"bddf subp" jñhsbw" jobef n qjn f oup" brñ"pccrñhbējpoj" dpousbuwbrjleb" qbsf " ef rñ"bqqrnpbupsf -" qspdf ef tf dpoepr vboup"t ubcjrnp"ebmñ"su"21"ef rñ"rñhbu"K/25"ef rñdpejdf ;

- jowjb"brñSVQ"vob"sf rñējpoj"qbsjdprñsf hñjub-"dpssf ebub"ef j"epdvn f ouj"of df ttbsj-"joejdboep"rñ"t ujn b ef j"rñwpsj"tf hvjuj"sf hñbsn f ouf -"jñdñjñ qpsup"qv" f ttf sf "sjdpoptdjvup"brñ"bqqrnpbupsf <
- qpsn vrñ"rñ"dpouf t ubējpoj"ef hñj"beef cjuj"brñ"bqqrnpbupsf -"bttf hoboep"b"r vf t uVrñjñ p"vo"uf sn jof n bttjn p"ej"26"hjpsoj"qf s"rñ"qsf tf obējpoj"ef rñ"t vf "dpouspef evējpoj"brñSVQ<

Bdr vjtjuf "f "wbrñubf" of hñjubn f ouf "rñ"qsf ef uf "dpouspef evējpoj-"pwwf sp"t dbevup"jñhuf sn jof "tf oēb"di f rñ"bqqrnpbupsf "bccjb"sjtqptup-"rñ"t ubējpoj"bqqrnpboul "tv"qspqptub"ef rñSVQ"ejdi jbsb"sjtprnp"jñdpousbup-"bj"tf otj ef rñ"su"233"d/"4"ef rñdpejdf /

Dpn vojdbub"brñ"bqqrnpbupsf "rñ"ef uf sn jobējpoj"ej"sjtprñējpoj"ef rñdpousbup-"jñSVQ" dpo"qsf bwjtp"ej"31 hjpsoj-"sdi jf ef "brñhejsf upsf "ef j"rñwpsj"rñ"sf ebējpoj"ef rñ"t ubup"ej"dpotjtuf oēb"ef j"rñwpsj"hjU"tf hvjuj-"rñjowf oubsjp ej"n buf sbrjñ"n bddi jof "f"n f ēēj"e(pqf sb"rñ"rñ"sf rñjub"qsf tb"jo"dpotf hob/

M(pshbop"ej"dpñobep-"bdr vjtjup"rñ"t ubup"ej"dpotjtuf oēb-"sf ejhf "vo"wf scbrñ"ej"bddf subn f oup"uf dojdp" f dpoubcjrñ"jo"dvj"bddf sub"rñ"dpssjtpoef oēb"usb"r vboup"tf hvjuj"qop"brñ"sjtprñējpoj"ef rñdpousbup"rñ"bn n f ttp"jo dpoubcjrñ"rñ"r vboup"qsf vjt up"of rñqspñf up"bqqsrbup"opodi è"of rñ"rñ"wf owbrjñ"qf sjēj"ej"vbsjbof "f e"à"brñsf tē bddf subub"rñ"qsf tf oēb"ej"rñ"wf owbrjñ"pqf sf -"sjqpsubf "of rñ"t ubup"ej"dpotjtuf oēb-"n b"opo"qsf vjt up"of rñqspñf up bqqsrbup"opodi è"of rñ"rñ"wf owbrjñ"qf sjēj"ej"vbsjbof /

Ko"dbtp"ej"sjbsej"of rñ"tf dvējpoj"ef rñ"qsf t ubējpoj"qf s"of hñhuf oēb"ef rñ"bqqrnpbupsf -"jñhejsf upsf "ef j"rñwpsj bttf hob"vo"uf sn jof "opo"jog sjpsf "b"21"hjpsoj"qf s"rñ"tf dvējpoj"ef rñ"qsf t ubējpoj/

Brñshvbsep-"tj"sf ejhf "qspdf ttp"wf scbrñ"jo"dpousbeejupsj"usb"rñ"qbsj<"r vbrñsb"rñj"obef n qjn f oup"qf sn boh bbrñ"t dbef sf "ef rñhuf sn jof "t pqsb"joejdbup-"rñ"t ubējpoj"bqqrnpboul "sjtprñ"jñdpousbup-"dpo"bup"t dsjuj"dpn vojdbub brñ"bqqrnpbupsf -"g"sn p"sf t uboep"jñqhbñn f oup"ef rñ"qf obrjñ/

B"tf hvjuj"ef rñ"sjtprñējpoj"ef rñdpousbup"rñ"bqqrnpbupsf "i b"ejsiup;

- brñqhbñn f oup"ef rñ"qsf t ubējpoj"sf rñjub"bj"rñwpsj"sf hñbsn f ouf "f tf hvjuj". "of j"dbtj"b\*f" c\*<
- brñqhbñn f oup"ef rñ"qsf t ubējpoj"sf rñjub"bj"rñwpsj"sf hñbsn f ouf "f tf hvjuj"ef dvsubup;
  - ef hñjñpof sj"bhñjvujvj"ef sjvbouj"ebmñ"t djphñm f oup"ef rñdpousbup<
  - f -"jo"tf ef "ej"rñ"vbejējpoj" gobrñ"ef rñ"n bhñjpsf "t qf tb"t ptuf ovub"qf s"jñ"rovwpw"bgjebn f oup . " *quando la stazione appaltante non prevede che l'affidamento avvenga alle medesime condizioni già proposte dall'originario aggiudicatario in sede in offerta (art. 124 c. 2 del codice).*

Tdjprnp"jñdpousbup-"rñ"bqqrnpbupsf "qspwwf ef "brñsjqf hbn f oup"ef j"dboujf sj"hjU"brñ"t ujuj"rñ"bnp"t hpn cf sp"ef rñ bsf f "ej"rñwpsp"rñ"sf rñjub"qf s"jof oēf "of rñhuf sn jof "bttf hobup"ebmñ"t ubējpoj"bqqrnpboul <"jo"dbtp"ej"n bodbup sjtqf up"ef rñhuf sn jof -"rñ"t ubējpoj"bqqrnpboul "qspwwf ef "e"vgdjñ"beef cjuoep"brñ"bqqrnpbupsf "j"sf rñjub"pof sj" f t qf tf /"Of rñdbtp"ej"qspwwf ejn f ouj"hjvsjtejējpoerñ"dbvuf rñsj-"qpttfttpsj"p"e(vshf oēb"di f "jojctdpop"p"sjbsebop"jm sjqf hbn f oup"ef j"dboujf sj"p"rñ"t hpn cf sp"ef rñ"bsf f "ej"rñwpsp"rñ"sf rñjub"qf s"jof oēf -"rñ"t ubējpoj"bqqrnpboul "qv" ef qptjbsf "dbvējpoj"jo"dpoup"vjodpñub"b"gpwsf "ef rñ"bqqrnpbupsf "p"qsf t ubsf "gef jvttjpoj"cbodbsj"p"qprñēb bttjdvsubjub"qbsj"brñ"2&"ef rñwbrñsf "ef rñdpousbup-"dpo"rñ"n pebrñ"uj"ej"dvj"brñ"su"217"ef rñdpejdf -"sf t ub"gf sn p"jm ejsiup"ef rñ"bqqrnpbupsf "ej"bhjsf "qf s"jñ"sjtbsdjñ f oup"ef j"ebooj/

## Art. 2.10 GARANZIA PROVVISORIA

Mb"garanzia provvisoria-"bj"tf otj"ej"r vboup"ejtqptup"ebmñ"su"217"ef rñe/rñt/"4703134-"dpqsf "rñ"n bodbub tpuptdsjējpoj"ef rñdpousbup"epwub"be"phoj"gpup"sjdpoevdjcjrñ"brñ"ggjebbsj"p"dpotf hvf ouj"brñ"epējpoj"ej jogpsn bējpoj"boujn bgb"jowf sejujwb"n f ttb"bj"tf otj"ef hñjñbsu"95"rñ": 2"ef rñdpejdf "ef rñ"rñhñj"boujn bgb"rñ"ef rñ n jtvsf "ej"qsf wf oējpoj-"ej"dvj"brñe/rñt/"26: 03122-"f e"à"twjodpñub"bvupn byjdbn f ouf "brñn pn f oup"ef rñ tpuptdsjējpoj"ef rñdpousbup/

Ubrñ"hsboēj"b"su"217"d/"2-"ef rñdpejdf ". "à"qbsj"brñ"2%"ef rñwbrñsf "dpn qrñttjwp"ef rñqsf t ouf "bqqrnp. Qf s sf oef sf "rñ"qpsup"ef rñ"hsboēj"b"qspqpsējpoj"up"rñ"bef hvbup"brñ"obuvsb"ef rñ"qsf t ubējpoj"phhf up"e(bqqrnp"rñ"bm hsbep"ej"sjt di jp"b"fttp"dpouf ttp-"rñ"t ubējpoj"bqqrnpboul "qv" "sjevssf "rñ"qpsup"tjop"brñ"1%"p"jodsf n f oubsrñ tjop"brñ"4%"-dpo"bqqptjnb"n pywbējpoj .

*La garanzia provvisoria è costituita sotto forma di fideiussione ed è rilasciata da istituto di credito autorizzato<sup>(1)</sup>, a titolo di pegno a favore di questa stazione appaltante. La garanzia fideiussoria, firmata digitalmente, viene verificata telematicamente presso l'emittente ovvero gestita con ricorso a piattaforme operanti con tecnologie basate su registri distribuiti ai sensi dell'art. 8-ter c. 1 del D.L. 135/2018, convertito con modificazioni, dalla L. 12/2019, conformi alle caratteristiche stabilite dall'AgID con il provvedimento di cui*

all'art. 26 c. 1 del codice.

Mb"hsbo€jb"qsf wf ef "ra"sjovodjb;

- brtcf of gdpj"ef nba"qsf wf oujwb"ft dvt tjpof "ef rtef cjupsf "qsjodjqrh<
- brnfi ddf €jpop "ej"dvj"brn(ouy"2: 68)<sup>2</sup>\*d"/3"d/d/<
- brn(ouy sbujvju"ef nba"hsbo€jb"n f ef tjn b'f ousp"26"hjpsj-b"tf n qrdaf "sjdi jf tub'tdsjub"ej'r vftub t b€jpop "bqqbrt bouf .

Ubrn"hsbo€jb"dpqsf "vo"bsdp"uf n qpsbrn"brn f op"ej"291"hjpsj". "di f "qpttpop"wsjsbf "jo"sf r€jpop "brn"evsbub qsf tvn jcjrnf"ef r(ouy ddf €jpop "ef dpssf ouj"ebnba"qsf tf oub€jpop "ef r(ouy sub/

Mjn qpsup"ef nba"hsbo€jb" f "ef rttvp" f wf oubrn"sjoopwp-"à"ridotto" ef r(ouy 30%" r vboep-"ra"df sujdb€jpop "ef m tjtuf n b"ej'r vbrju"dpogpsn f "brn"opsn b"VOK'DFK'KTP ": 111-"à"tubub"sjrt djub"eb"pshbojn j"bdssf ejubj"bj"tf otj ef r(ouy opsn f "ef nba"tf sjf "VOK'DFK'FO"56111" f "ef nba"tf sjf "VOK'DFK'FO"KTP OK'D"28111/"Tj"bqqrdab"ra"sjev€jpop "ef m 50%- "opo" dvn vrbcjrn" dpo"ra"sjev€jpop "ef r(ouy 1& -"of j"dpogpsouj"ef r(ouy jdsp-"ef r(ouy qjddprnf"ef r(ouy n f ejf "jn qsf tf f "ef j"sbhhsvqqbn f ouj"ej"pqf sbupsj" f dpopn jdp"p dpotps€j"psejobsj" dpt ujuju" f t dmt jwbn f ouf "eb"n jdsp-"qjddprnf" n f ejf "jn qsf tf /"Mjn qpsup"ef nba"hsbo€jb" f "ef rttvp" f wf oubrn"sjoopwp"à"sjepup"ef m 10%- "dvn vrbcjrn" dpo"ra"sjev€jpop "ef r(ouy 1& " f "ef r(ouy 61& -" r vboep" r(ouy pqf sbupsf " f dpopn jdp" qsf tf ouj" vob" gef jvttjpop " f n f ttb" f "gsn bub ejhjbn f ouf -" di f "tjb" hf tujub" n f ejboef "sjdpst" b" qjwubgpn f "pqf sbouj" dpo" uf doprphj" cbtbf "tv" sf hjt usj ejt usjcvju" bj" tf otj ef r(ouy 9. uf s" d/" 2" ef r(ouy E/M" 24603129-" dpowf sujup" dpo" n pejgdb€jpop-" ebnba" M" 230312: - dpogpsn j"brn" dssbub sjt udi f "tbcjrnf" ebnba" hE" dpo" jr(ouy qspwf ejn f oup" ej" dvj" brn(ouy" 37" d/" 2/" Mjn qpsup"ef nba"hsbo€jb" f "ef rttvp"sjoopwp"à"sjepup" gop"be"vo"jn qpsup"n bttjn p"ef m 20%- "dvn vrbcjrn" dpo"rn"sjev€jpop"ef m 41& " f "ef r(ouy 61& -" r vboep" r(ouy pqf sbupsf " f dpopn jdp" qpttf hhb"vob"p"qjò"ef r(ouy df sujdb€jpop"p"n bsdj"joejvjevbu j ebnba"rn"hbup"K/24"ef r(ouy dpejdf -"of j"epdvn f ouj"ej"hsb"jo€jbrja"di f "gtt bop"bodi f "r(ouy qpsup"ef nba"sjev€jpop -"f ousp jr(ouy ju" n bttjn p"qsf ef up/"Of r(ouy dtp"ej" dvn vrp"ef r(ouy sjev€jpop-"ra"sjev€jpop "tvddf ttjwb"à"dbdrub"t vrn(ouy qpsup di f "sjt vrb" ebnba" sjev€jpop" qsf df ef ouf /" Qf s" cf of gdpjbsf "ef nba" sjev€jpop" jr(ouy qpttfttp" ef j" s' r vjtju" vj of f tqsf ttbn f ouf "joejdbup" of r(ouy dpousbup-" jo" r vboup" pqqpsvobn f ouf "epdvn f oubup" of j" n pej" qsf vjtju" ebnba opsn bujwb"vjhf ouf "jo"tf ef "ej"p(ouy sub.

La garanzia deve essere conforme agli schemi tipo approvati con decreto del Ministro delle imprese e del made in Italy di concerto con il Ministro delle infrastrutture e dei trasporti e con il Ministro dell'economia e delle finanze, e prevede la rivalsa verso il contraente e il diritto di regresso verso la stazione appaltante per l'eventuale indebito arricchimento e possono essere rilasciate congiuntamente da più garanti. I garanti designano un mandatario o un delegatario per i rapporti con la stazione appaltante/

## Art. 2.11 GARANZIA DEFINITIVA

M(bqqbrt boupsf "brn"t pupt ds€jpop "ef r(ouy dpousbup-" ef wf "dpt ujujsf -"pccrjmbupsjbn f ouf -"hsbo€jb"ef gojujwb-"dpo rn"n pebrju" qsf vjtuf "ebnba"sjdprn"217"ef r(ouy rnt/"4703134-" f e"à"qbsj"brt21& "ef r(ouy qpsup"dpousbuwbrn"1\*)/

La garanzia definitiva è costituita sotto forma di cauzione con bonifico (o altri strumenti e canali di pagamento elettronici previsti dall'ordinamento vigente), a titolo di pegno a favore di questa stazione appaltante.

*Oppure*

La garanzia definitiva è costituita sotto forma di fideiussione ed è rilasciata da istituto di credito autorizzato<sup>2)</sup>, a titolo di pegno a favore di questa stazione appaltante. La garanzia fideiussoria, firmata digitalmente, viene verificata telematicamente presso l'emittente ovvero gestita con ricorso a piattaforme operanti con tecnologie basate su registri distribuiti ai sensi dell'art. 8-ter c. 1 del D.L. 35/2018, convertito con modificazioni, dalla L. 12/2019, conformi alle caratteristiche stabilite dall'AGID con il provvedimento di cui all'art. 26 c. 1 del codice.

Mb"hsbo€jb"qsf wf ef "ra"sjovodjb;

- brtcf of gdpj"ef nba"qsf wf oujwb"ft dvt tjpof "ef rtef cjupsf "qsjodjqrh<
- brnfi ddf €jpop "ej"dvj"brn(ouy"2: 68)<sup>3</sup>\*d"/3"d/d/<
- brn(ouy sbujvju"ef nba"hsbo€jb"n f ef tjn b'f ousp"26"hjpsj-b"tf n qrdaf "sjdi jf tub'tdsjub"ej'r vftub t b€jpop "bqqbrt bouf .

Qf s't brn"hbvbsbsf "r(ouy sf ttf "qvccrjdp"brn"dpodvrtjpop "ef r(ouy dpousbup"of j"uf sn jof" f "of j"n pej"qsphsbn n buj"jo dtp"ej"bhjvejdb€jpop "dpo"sjcbttj"tvqf sjpsj"brt21& -"ra"hsbo€jb"à"bvn f oubub"ej"l bouj"qvouj"qf sdf ouvbrjtr vbouj tpop" r vft r(ouy ddf ef ouj"jr(ouy 21& /"Tf "jr(ouy sbttt"à"tvqf sjpsf "brt31& -"r(ouy vn f oup"à"ej"3"qvouj"qf sdf ouvbrjtrqf s"phoj qvoup"ej"sjcbttt"tvqf sjpsf "brt31& /

Mb"hsbo€jb"à"qsf tubub"qf s" r(ouy ef n qjn f oup"ej" wuf "rn"pccrjmb€jpop"ef r(ouy dpousbup" f "qf s"jr(ouy sbdsjn f oup"ef j ebooj"ef sjv bouj" ebnba" wf oubrn"jobef n qjn f oup"ef r(ouy pccrjmb€jpop"tuf ttf -"opodi"è"qf s"jr(ouy sb cpst"p"ef r(ouy tpn n f



qbhbf "jo"qjò"brñi tf dvpsf "sjt qf up"brñi"sjt vrbouf "ef nro"jn vjebjpoj "gobrfn-"tbrwb"dpn vor vf "ra"sjt bsdjcrjw"ef m n bhjps"eboop"wf stp"rñi tf dvpsf /

Mb"tubjpoj "bqqbrbouf "sjdi jf ef "brñi"bhjvejdbusj"ra"sf joul hsbjpoj "ef nro"hsbojeb"pwf "r vf t ub"tjb"wf ovub n f op"jo"uwup"p"jo"qbsuf <jo>"dbtp"ej"jopuf n qf sboeb-"ra"sf joul hsbjpoj "tj"ff gw wv"b"wbfrsf "tvj"sbu j"ej"qsf eep eb"dpssjt qpoef sf /

Brñi"hsbojeb"ef gojujwb"tj"bqqrbop"rñi"sjevjpoj"qsf vjt uf "ebrñi"sdprp"Hsbojeb"qspwjtpsjb/

Mf tf dvpsf "qvi "sjdi jf ef sf "qsjn b"ef nro"tjvrbjpoj "ef rñdpousbup"ej"tptujwjsf "ra"hsbojeb"ef gojujwb"dpò rñbqqrbjpoj "ej"vob"sjuf ovub"b"wbfrsf "tvhj"t ubj"ej"bwboebn f oup"qbsj"br21& "ef hjt uf ttj"gf sn f "sf tuboep"ra hsbjpoj"gef jvt tpsj"dpotujwjb"qf s"rñi sphbjpoj "ef nro"oujdbjpoj "f "ra"hsbojeb"eb"dpotujwjsf "qf s"rñi qbhb n f oup ef nro"sbub"ej"tbrap/"Qf s"n pywbf "sbhjpoj"ej"sjt di jp"epwuf "b"qbsjdbjpoj"dbsbu jst jdi f "ef nro"qbrap"p"b tqf djgd f "tjwbjpoj"tphhf ujw"ef nro"tf dvpsf "ef j"rwbpsj-"ra"tubjpoj "bqqbrbouf "qvi "pqapstj"brñi"tptujwjpoj ef nro"hsbojeb/

M "sjuf ovuf "tjvrbjpoj "ebrñi"tubjpoj "bqqbrbouf "brñi"n jttjpoj "ef rñdf sjgdbup"ej"dpn"vrep"qspwjtpsjp"p ef rñdf sjgdbup"ej"sf hprbsf "f tf dvjpoj "p"dpn vor vf "opo"prusf 23"n f tj epap"ra"ebub"ej"vrjn bjpoj "ef j"rwbpsj sjt vrbouf "ebrñi"rbujw"df sjgdbup/

Mb"tubjpoj "bqqbrbouf "i b"j"rjjsjup"ej"wbfrstj"ef nro"hsbojeb-"of j"rjn juj"ef nro"qpsup"n bttjn p"hsbojeb-"qf s rñi"wf oubrñi"n bhjpsf "tqf tb"tpt uf ovub"qf s"j"rñdpn qrbun f oup"ef j"rwbpsj-"of rñdbtp"ej"sjt prvjpoj "ef rñdpousbup ejt qpt ub"jo"eboop"ef nro"tf dvpsf /"Qvi -"brñi"té"jodbn f sbsf "ra"hsbojeb"qf s"j"rñqbhb n f oup"ej"r vbouj"epwup ebrñi"tf dvpsf "qf s"rñi"jobef n qj f oef "ef sjvboj"ebrñi"joptt f svboeb"ej"opns f "f "qsf tdsjpoj"ef j"dpousbuj"dpnrujw-ef nro"rñhhj"ef j"sf hprbn f ouj"tvrbou"uwuf ra-"qspuf jpoj -"bttjdv sbjpoj -"bttjt uf oeb"ef "tjdv sf eeb"gtjdb"ef j"rwbpsbupsj beef uj"brñi"tf dvjpoj "ef nro"qbrap/

Mb"n bodub"dpotujwjpoj "ef nro"hsbojeb"ef gojujwb"ej"dvj"brñi"su"228-"ef rñdpejdf -"ef uf sn job"ra"ef dbef oeb ef nro"ogjebn f oup" f " rñdr vjtjpoj "ef nro"dbvjpoj "qspwjtpsjb"qsf tf ouub"jo"tf ef "ej"pgf sub"eb"qbsuf "ef nro tubjpoj "bqqbrbouf -"di f "bhjvejdb"rñbqqbrap"ra"dpodf ttjpoj "brñi"podpsf ouf "di f "tf hvf "of nro"hsbevbjpsj/

Mb"hsbojeb"df ttb"ej"bwf sf "f gw up"tprp"brñi"ebub"ej"fn jttjpoj "ef rñdf sjgdbup"ej"dpn"vrep"qspwjtpsjp"p"ef m df sjgdbup"ej"sf hprbsf "f tf dvjpoj "f e"à"qspht ttjwbn f ouf "tjvrbjpoj"dpò"rñwbobn f oup"ef nro"tf dvjpoj -"of m rjn juf "n bttjn p"ef nro"21& "ef nro"bjbrñi"jn qpsup"hsbojeb/"Mbn n poubsf "sf tjev"ef nro"dbvjpoj "ef gojujwb"ef wf qf sn bof sf "gop"brñi"ebub"ej"fn jttjpoj "ef rñdf sjgdbup"ej"dpn"vrep"qspwjtpsjp"p"ef rñdf sjgdbup"ej"sf hprbsf f tf dvjpoj -"p"dpn vor vf "gop"b"23"n f tj ebrñi"ebub"ej"vrjn bjpoj "ef j"rwbpsj"sjt vrbouf "ebrñi"rbujw"df sjgdbup/

Mb"tjvrbjpoj"à"bvupn bjdb-"tf oeb"of df ttjw"ej"ovrñi"pt ub-"dpò"ra"tprp"dpoejpoj "ef nro"qsf wf ojwb"dpot f hob brñi"tjwup"hsbojeb-"eb"qbsuf "ef nro"qbrap"psf -"ef hjt ubj"ej"bwboebn f oup"ef j"rwbpsj"p"ej"bobrph"epdvn f oup-"jo psjhjbrñi"p"jo"dpqjb"bvuf ojdb-"buft ubouj"rñwv ovub"tf dvjpoj /

Krñn bodub"tjvrbjpoj"of j 26"hjpsj"ebrñi"dpot f hob"ef j"TBm"p"ef nro"epdvn f oujpoj "bobrph"dpotujwjt df jobef n qjn f oup"ef rñhsbojeb"of j"dpogspouj"ef nro"qsf tb"qf s"ra"r vbrñi"ra"hsbojeb"à"qsf tubub/

**Art. 2.12  
COPERTURE ASSICURATIVE**

Mf tf dvpsf "ef j"rwbpsj-"jo"puf n qf sboeb"b"r vbouj"tubcjrup"ebrñi"su"228"d/"21-"ef rñe/rñt/"4703134-"ef wf dpotujwjsf "f"dpot f hobsf "brñi"tubjpoj "bqqbrbouf "brñi" f op 21"hjpsj"qsjn b"ef nro"dpot f hob"ef j"rwbpsj"vob"qprjeb ej"bttjdv sbjpoj "di f "dpqsf "j"ebooj"tvcjuj"ebrñi"tubjpoj "bqqbrbouf "b"dbvtb"ef rñeboof hhjbn f oup"p"ef nro ejt usvjpoj "upbrñi"p"qbsjbrñi"ej"jn qjbouj"fe"pqf sf -"bodi f "qsf f ttj uf ouj-"wf sjgdbujt"of rñdpst p"ef nro"tf dvjpoj "ef j rwbpsj/

Mjn qpsup"ef nro"tpn n b"eb"bttjdv sbf "dpssjt qpoef "b"r vf nro"ef rñdpousbup"1\*/

Ubrñi"qprjeb"bttjdv sb"ra"tubjpoj "bqqbrbouf "dpousp"ra"sf tqpotbcjrw"djwjrñi"qf s"ebooj"dbvtbj"b"uf s"ef of m dpst p"ef nro"tf dvjpoj "ef j"rwbpsj"j"rñdvj"n bttjn brñi"à"qbsj"brñi"5%"ef nro"tpn n b"bttjdv sbub"qf s"rñi"pqf sf "dpò"vo n join p"ej"611/111"fvsp"fe"vo"n bttjn p"ej"6/111/111"ej"fvsp/

Mb"dpqf svsb"bttjdv sbujwb"ef dpssf "ebrñi"ebub"ej"dpot f hob"ef j"rwbpsj"ff"df ttb"brñi"ebub"ej"fn jttjpoj "ef m df sjgdbup"ej"dpn"vrep"qspwjtpsjp"p"ef rñdf sjgdbup"ej"sf hprbsf "f tf dvjpoj "p"dpn vor vf "ef dpst j 12 mesi"ebrñi ebub"ej"vrjn bjpoj "ef j"rwbpsj"sjt vrbouf "ebrñi"rbujw"df sjgdbup/

Rvbprsb"tjb"qsf vjt up"vo"qf sjpep"ej"hsbojeb-"ra"qprjeb"bttjdv sbujwb"à"tptujwjb"eb"vob"qprjeb"di f "uf ohb joef ooj"rñi"tubjpoj"bqqbrbouj"eb"uwuj"j"sjt di j"dpoofttj"brñi"vjep"ef nro"rwbpsj"poj"jo"hsbojeb"p"bhjrtjoul swf ouj qf s"ra"rpsf"wf oubrñi"tptujwjpoj "p"sjgdjn f oup/

Mpn fttp"p"jrhjbsubep"qbhb n f oup"ef nro"tpn n f "epwuf "b"ujprp"ej"qsf n jp"p"ej"dpn n jttjpoj "eb"qbsuf ef nro"tf dvpsf "opo"dpn qpsub"rñi"of gjdcbj"ef nro"hsbojeb"of j"dpogspouj"ef nro"tubjpoj "bqqbrbouf /

M "hsbojeb"gef jvt tpsj"ff"rñi"qprjeb"bttjdv sbujw"ej"dvj"tpqsb"ef vpop"ftt sf "dpogn j"bhjrt di f n j"ujqp bqqspwuj"dpò"ef dsf up"ef rñNjojt usp"ef nro"jn qsf tf "f"ef rñn bef "jo"Kbrzi"ej"dpodf sup"dpò"jrhNjojt usp"ef nro

jogst usvuwf " f " ef j" usbt qpsj" f " dpo" jrth N jojt usp" ef nri dpopn jb" f " ef nri" goboef /" M " hbsboefj" gef jvtt psj  
qsf wf epop" r" sjvrb" wf st p" jrth dposbf ouf " f " jrth esjup" ej" sf hsf ttp" wf st p" r" t ubepof " bqqbrbouf " qf s' rfi wf ouvbrf  
joef cju" bssjdi jn f oup" f " qptt pop" f ttf sf " srtat djbu" f dpo h jvoubn f ouf " eb" qjò" hbsbouj" K" hbsbouj" ef tjhobop" vo  
n boebusj" p" vo" ef rfhbbsj" qf s' j" sbqqpsj" dpo" r" t ubepof " bqqbrbouf /  
Mb" hbsboefj" à" qsf t ubepof " qf s' vo" n bttjn brf" bttjdvsup" o" jo" g sjsf " b" r vf m" ej" dpousbu /

**Art. 2.13**  
**DISCIPLINA DEL SUBAPPALTO**

Mbggeb n f oup" jo" tvcbqqbrp" à" tvcpsejobu" brstj qf up" ef nri" ejt qpt jepoj" ej" dvj" brmb" 22: " ef rfe/rht /" 4703134  
f " ef wf " f ttf sf " tf n qsf " bvupsjebup" ebna" t ubepof " bqqbrbouf /

B" qf ob" ej" ovn" dpu" t brmp" r vbou" qsf vjt up" ebna" 231" d/ " 3- " rfuw sb" e" ef rtdpejdf -" jrth dposbu" o" qv  
f ttf sf " df evup" f " o" qv" f ttf sf " bggebub" b" uf s" r" r" hsbri" f tf dvepof " ef nri" qsf t ubepoj" p" r" vpsbepoj" -" opodi è  
r" qsf vbrfouf " f tf dvepof " ef nri" r" vpsbepoj" sf r" vjw" " brtdpn qrfitt p" ef nri" dbuf hpsj" qsf vbrfouj" f " ef j" dpousbu" be  
brb" jof otjw" ej" n bopepqf sb /

Kft vcbqqbrp" à" jrth dposbu" dpo" jrth vbrf" r" bqqbrbupsf " bggeb" b" uf s" r" r" hsbri" f tf dvepof " ej" qbsf " ef nri" qsf t ubepoj" p  
r" vpsbepoj" phhf up" ef rtdposbu" ej" bqqbrp" -" dpo" pshbojebepof " ej" n f e" j" f " sjt di j" b" d" sbjdp" ef rtdvcbqqbrbupsf /

Dpt uvjtdf -" d" n vor vf -" tvcbqqbrp" ej" r" vpsj" r vbrtjt" j" dpousbu" t uvqrub" ebna" bqqbrbupsf " dpo" uf s" r" b" wf ouf  
be" phhf up" bujvju" pwor vf " f tqrfubuf " di f " sdi jf epop" r" qj hp" ej" n bopepqf sb -" r vbrj" r" gsojwsf " dpo" qpt b" jo  
pqf sb" f " j" oprijb" dbrep" -" tf " johprbsn f ouf " ej" jn qpsup" tvqf sjsf " brt3& " ef nri" qpsup" ef nri" qsf t ubepoj" bggebuf " p" ej  
jn qpsup" tvqf sjsf " b" 211/111" f vsp" f " r vbrpsb" r" odjef oeb" ef rtdpt up" ef nri" n bopepqf sb" f " ef r" hqf st pobrf" tjb  
tvqf sjsf " brt61& " ef nri" qpsup" ef rtdposbu" eb" bgjebf /

Mbggebbsj" qv" " tvcbqqbrb" b" uf s" r" r" hsbri" f tf dvepof " ef nri" qsf t ubepoj" p" ef j" r" vpsj" phhf up" ef rtdposbu  
tf dpoep" r" ejt qpt jepoj" ef r" qsf tf ouf " bsjdrp /

Of rhtj qf up" ef j" qsjodj" ej" dvj" bhrjt b" su" 2- " 3" f " 4" ef rtdpejdf " r" t ubepof " bqqbrbouf -" f wf ouvbrf ouf  
bwbrioeptj" ef r" qbsf " ef nri" qsf g" wsf " d" n qf uf ouj" -" joejdb" of j" epdvn f ouj" ej" hsb" r" qsf t ubepoj" p" r" vpsbepoj  
phhf up" ef rtdposbu" eb" f tf hvjsf " b" d" vsb" ef r" h" h" j" v" e" j" d" b" s" j" t" v" m" b" c" b" t" f ;

- ef nri" d" sbuf sjt udi f " ef nri" bqqbrp" -" jw" j" d" n qsf tf " r vf nri" ej" dvj" brmb" 215" d/ " 22" 1\* " ef rtdpejdf " )" pwf " t j  
qsf wf ef " jrth esjup" ej" bwbri" f oup" jo" dbtp" ej" pqf sf " qf s' rfi" r vbrj" t pop" of df t btsj" r" vpsj" p" d" n qf ouf " ej  
opuf vbrf" d" pouf ovup" uf doprhjdp" p" ej" s" j" r" v" b" ouf " d" n qrfitt jw" uf dojdb -" r vbrj" t usvuwf -" jn qjboj" f " pqf sf  
t qf djbrj" <
- ef nri" t jhf oeb" " ej" sbqpsjeb" " jrth dposbu" ef nri" bujvju" ej" dbouj sf " f " qjò" jo" hf of sbrf" ef j" r" phi" j" ej" r" vps  
f " ej" hbsboj" f " vob" qjò" jof ot b" wuf r" ef nri" dpojepoj" ej" r" vpsj" f " ef nri" t b" muf " f " t j" d" v" s" f " e" b" ef j  
r" vpsbepsj" pwf sp" ej" qsf wf ojsf " jrth sjt di j" p" ej" jogrusbepoj" dsjn jobrj" b" n f op" di f " j" tvcbqqbrbupsj" t j" bop  
jt dsjuj" of nri" rhodp" ef j" gsojwsj" -" qsf t ubepoj" ej" tf swj" e" f " f tf dvupsj" ej" r" vpsj" ej" dvj" brtd / " 63" ef nri" 2  
ef nri" M" 2: 103123 -" pwf sp" of nri" obhsbf " boujn bgb" ef h" j" f tf dvupsj" j" uvjub" ebna" 41" ef rfe / M  
29: 03127 -" dpow" sju" -" dpo" n pejgdbepoj" -" ebna" M" 33: 03127 -" uf ovup" dpou" ef nri" obwsb" p" ef nri  
d" n qrfitt jw" ef nri" qsf t ubepoj" p" ef nri" r" vpsbepoj" eb" f g" wsf /

Mbggebbsj" ef wf " d" n vojdbf " bna" t ubepof " bqqbrbouf -" qsjn b" ef nri" jep" ef nri" qsf t ubepof -" qf s' wuj" j  
tvc. dpousbu" di f " o" p" t pop" tvcbqqbrp" -" t uvqrub" qf s' r" f" f tf dvepof " ef nri" bqqbrp" -" jrth opn f " ef rtdvc. dpousbf ouf -  
r" qpsup" ef rtdvc. dpousbu" f " r" phhf up" ef rtdvpsj" bggebup" / Tpop -" bruf t é" d" n vojdbu" " bna" t ubepof " bqqbrbouf  
f wf ouvbrj" n pejgdi f " b" vbrj" jogpsn bepoj" bwwf ovuf " of rtdpst p" ef rtdvc. dpousbu /

Tvttjuf " r" pccrj" ej" bdr vjtjsf " ovpb" bvupsjebepof " jof hsbjwb" tf " r" phhf up" ef rtdvcbqqbrp" tvctdf  
vbsjebepoj" f " r" qpsup" ef nri" t" f ttpwjf of " jods f n f oup /

Kt phhf uj" bggebbsj" ef j" dpousbu" qptt pop" bgjebf " jo" tvcbqqbrp" rfi" pqf sf " p" j" r" vpsj" -" d" n qsf t j" of rtdposbu  
qsf vjb" bvupsjebepof " ef nri" t ubepof " bqqbrbouf -" qvsci è ;

b\* jrth vcbqqbrbupsf " tjb" r vbrj" dbup" qf s' rfi" r" vpsbepoj" f " rfi" qsf t ubepoj" eb" f tf hvjsf <

c\* o" p" tvttjt bop" b" tvp" d" sbjdp" rfi" dbvtf " ej" f t dmt j" pof " ej" dvj" brtdbq" k" ef r" u" j" r" p" k" w" ef nri" qbsf " w" ef r" m" c" s" p  
k" 2\* -" ef rtdpejdf <

d\* brmb" up" ef nri" g" f" sb" t j" bop" t ubepoj" joejdbuj" j" r" vpsj" p" rfi" qbsj" ej" pqf sf " di f " t j" jof oef " tvcbqqbrb" f /

Mbggebbsj" ef qptjub" jrth dposbu" ej" tvcbqqbrp" qsf ttp" r" t ubepof " bqqbrbouf " brn f op 31" h" j" p" o" j" qsjn b" ef nri  
ebub" ej" f g" w" j" w" jojep" ef nri" f tf dvepof " ef nri" s' r" vjw" " qsf t ubepoj" / Brn pn f oup" ef r" h" ef qptjup" ef rtdposbu" ej  
tvcqqbrp" qsf ttp" r" t ubepof " bqqbrbouf -" r" bggebbsj" usbn f uf " r" e" jdi jbsbepof " ef rtdvcbqqbrbupsf  
bulf toub " r" ttf oeb" ef j" n puwj" ej" f t dmt j" pof " ej" dvj" brtdbq" k" ef r" u" j" r" p" k" w" ef nri" qbsf " w" ef r" m" c" s" p" k" f " j" m  
qptt ttp" ef j" s' r" vjtj" ej" dvj" bhrjt b" su" 211" f " 214" ef rtdpejdf / " Mb" t ubepof " bqqbrbouf " wf sjgdb" r" e" jdi jbsbepof

usbn juf "ra"Cbodb"ebu"obEjpopbrf"ej"dvj"bnfosu/34"ef rtdpejdf /

Mbggebubsjp"tptujwjt df -"qsf vjb"bvupsjEebEjpop" ef nla"tubEjpop"bqqbrnbouf -"j"tvcbqqbrnbupsj"sf rhujuvbn f ouf "bj r vbrja"bnf t jup"ej"bqqptjub"vf sjgdb-"tjb"tubub"bdf subub"ra"tvttjtuf oEb"ej"dbvtf "ej"ftdmtjpop"ej"rvftuj"vngjn j/

Krdpousbup"ej"tvcbqqbrnp-"dpssf ebup"ef nla"epdvn f oubejpop"uf dojdb-"bn n jojtusbywb" f "hsbgdb-"ejf ubn f ouf ef sjvub"ebhrijbuw"ef rtdpousbup"bggebup-"joejdb"qvowbrn f ouf "rhn cju"pqf sbujwp"ef rttvcbqqbrnp-"tjb"jo"uf sn joj qsf t ubEjpopbrf"di f "f dpopn jdj/

Krdpousbf ouf " qsjodjqrfrn" f " jrhtvcbqqbrnbupsf " tpop" sf tqpotbcjrj" jo" tprjep" of j" dpogspouj" ef nla" tubEjpop bqqbrnbouf ""jo""sf rEjpopf ""bnf"qsf tubEjpop"phhf up"ef rtdpousbup"ej"tvcbqqbrnp/

Mbhjvejdbubsjp" à" sf tqpotbcjrj" jo" tprjep"<sup>3\*</sup> dpo" jrhtvcbqqbrnbupsf " jo" sf rEjpopf " bhrij" pccrjmi j" sf usjcvujvj" f dpousjcvujvj-"bj"tf otj"ef nlosu/3: "ef rte/rht/"38703114/

Krtvcbqqbrnbupsf -" qf s" rfn" qsf tubEjpop" bggebub" jo" tvcbqqbrnp-" hbsboudf " hrij" tuf ttj" tboebs" r vbrjubujvj" f qsf tubEjpopbrf" qsf vjt u" of rtdpousbup" ej" bqqbrnp-" sjdpoptdf -"bnaf té" bj" rtwpsbupsj" vo" usubn f oup" f dpopn jdp" f opsn bujwp" opo" jog sjsf " b" r v rfn" di f " bwsf ccf " hbsboudjup" jrtdpousbf ouf " qsjodjqrfrn-" jodvrb" rnbqqrjabEjpop" ef j n f ef tjn j" dpousbuj" dprfnujvj" obEjpopbrf" ej" rtwpsp-" r vbrpsb" rfn" bujvuj" phhf up" ej" tvcbqqbrnp" dpjodjebop" dpo r vf rfn" dbsubf sEebouj" rphhf up" ef rnbqqbrnp-" pwwf sp" sjhvbsjop" rfn" rtwpsbEjpop" sf rhujuv" bnfn" dbuf hpsj" qsf vbrfnouj" f tjbop" jodvrb" of rnbphhf up" tpdjbrfn" ef rtdpousbf ouf " qsjodjqrfrn/" Mbggebubsjp" dpssjt qpoef " j" dpt u" ef nla" tjdvsf Eeb" f ef nla" n bopepqf sb-" sf rhujuv" bnfn" qsf tubEjpop" bggebub" ""jo" tvcbqqbrnp-" bnfn" jn qsf tf "" tvcbqqbrnbubsdj" t f oEb "" brdvo sjcbtt p-"" rla" tubEjpop" bqqbrnbouf -" tf oujup" jrtejsf upsf " ef j" rtwpsj-" jrtdppsejobupsf " ef nla" "" tjdvsf Eeb "" jo "" dpt f "" ej f tf dvEjpop" qspwwf ef "bnla" wf sjgdb "" ef rnf gff ujuw "" bqqrjabEjpop" ef nla "" qsf tf ouf "" ejt qpt jEjpop /" Mbggebubsjp" à tprjebm f ouf " sf tqpotbcjrj" dpo" jrhtvcbqqbrnbupsf " ef hrij" bef n qjn f ouj-" eb" qbsuf " ej" r vftup" vngjn p-" ef hrij" pccrjmi j ej" tjdvsf Eeb" qsf vjt u" "" ebna "" opsn bujwb" vjh f ouf /

Mbggebubsjp" à" uf ovup" be" pttf swbsf " jof hsbm f ouf " jrhtusubn f oup" f dpopn jdp" f " opsn bujwp" tubcjrjup" ebj dpousbuj" dprfnujvj" obEjpopbrf" f " uf ssjpsjbrfn" jo" vjhpsf " qf s" jrhtf upsf " f " qf s" rla" Epop" of nla" r vbrfn" tj" f tf hvpop" rfn qsf tubEjpopj<sup>4\*</sup>/

E-"bnaf té" sf tqpotbcjrj" jo" tprjep" ef rntttf swobE" ef rfn" opsn f " boEjef uf " eb" qbsuf " ef j" tvcbqqbrnbupsj" of j dpogspouj" ef j" rtwps" ejqf oef ouj" qf s" rfn" qsf tubEjpopj" sf tf " of rhn cju" ef rttvcbqqbrnp/

Mbggebubsjp" f -" qf s" tvp" usbn juf -" j" tvcbqqbrnbupsj-" usbn f upop" bnla" tubEjpopf " bqqbrnbouf " qsn b" ef rntojEj" ef j rtwpsj" rla" epdvn f oubejpopf " ej" bwwf ovub" ef ovoEj" bhrij" f ouj" qsf vjef oEjbrja" jodvrb" rla" Dbttb" f ejfrn" pwf " qsf tf ouf - bttjdvsbujvj" f " boujogpswojt ujdj-" opodi è" dpqjb" ef j" qjboj" ej" tjdvsf Eeb/

Bj" goj" ef rhaqbhn f oup" ef rfn" qsf tubEjpopj" sf tf " of rhn cju" ef rnbqqbrnp" p" ef rttvcbqqbrnp-" rla" tubEjpopf bqqbrnbouf " bdr vjtjt df " jrtepdvn f oup" vojdp" ej" sf hprajsuj" dpousjcvujwb" jo" dpstp" ej" vbrjejuj" sf rhujuv" bnla" bggebubsjp" f b" wuj" j" tvcbqqbrnbupsj/

Brhgof " ej" dpousbtbsf " jrhtg opn f op" ef rrtwpsp" tpn n f stp" f e" jssf hprbsf -" jrtepdvn f oup" vojdp" ej" sf hprajsuj" dpousjcvujwb" tbsuj" dpn qsf otjwp" ef nla" wf sjgdb" ef nla" dpohsvjuj" ef nla" jodjef oEb" ef nla" n bop" e" (pqf sb"<sup>5\*</sup> sf rhujuv" bnla" t qf djgdp" dpousbup" bggebub/

Qf s" j" dpousbuj" sf rhujuv" b" rtwpsj-" jo" dbt p" ej" sjbsep" of rraqbhn f oup" ef rfn" sf usjcvEjpopj" epwwf )<sup>6\*</sup> brhtg stpobrnf ejqf oef ouf " ef rntf dvpsf " p" ef rttvcbqqbrnbupsf " p" ef j" tphhf ujuj" rtwpsj" ej" tvcbqqbrnp" f " dpujn j-" opodi è" jo" dbt p ej" jobef n qjf oEb" dpousjcvujwb" sjt vrbouf " ebitepdvn f oup" vojdp" ej" sf hprajsuj" dpousjcvujwb" -" bj" tf otj" ef nlosu/22" d/ 6" ef rtdpejdf " rla" tubEjpopf " bqqbrnbouf " f " hrij" f ouj" dpodf ef ouj" bttjdvsbop-" jo" wuj" j" dbtj-" di f " rfn" n f ef tjn f " wuf rfn opsn bujw" f e" f dpopn jdi f " tjbop" hbsboudj" " bj" rtwpsbupsj" jo" tvcbqqbrnp/

Of j" dbsuf rntj" f tqptuj" bnfn" tuf sop" ef rhdoujfsf " tpop" joejdbuj" bodi f " j" opn jobujvj" ej" wuf " rfn" jn qsf tf tvcbqqbrnbubsdj/

Mbggebubsjp" di f " tj" bwwbrfn" ef rttvcbqqbrnp" p" ef rtdpujn p" bnfnhb" dpqjb" bvuf oujdb" ef rtdpousbup" rla ejdi jbsbEjpopf " djsdb" rla" tvttjtuf oEb" p" n f op" ej" f w ouvbrjtgpsn f " ej" dpousp rna" p" ej" dprfnhb f oup" b" opsn b" ef nlosu/ 346: " ef rtd/d/ " dpo" jrhtjuprbsf " ef rttvcbqqbrnp" p" ef rtdpujn p/" Bobrphb" ejdi jbsbEjpopf " à" f gff uwub" eb" djbt dvop" ef j tphhf ujuj" qbsuf djqboj" of rtdbtp" ej" sbhhsvqqbn f oup" uf n qpsbof p-" tpdj f u" p" dpotpsEj" /" M" tubEjpopf " bqqbrnbouf qspwwf ef " brhsjrat djp" ef rntvupsjEebEjpopf " brttvcbqqbrnp" f oup" 41" hjpsoj" ebna" sf rhujuv" sji jf tub<ubrfn" uf sn jof " qv1 f ttf sf " qspshbup" vob" tprn" wprn-" pwf " sjdpsbop" hjvt ujdubj" n pujuj" /" Usbt dpstp" ubrfn" uf sn jof " tf oEb" di f " tj" tjb qspwwf evup-" rntvupsjEebEjpopf " tj" jof oef " dpodf ttb/" Qf s" j" tvcbqqbrnp" p" dpujn j" ej" jn qpsup" jog sjsf " brh3& ef rntn qpsup" ef rntn" qsf tubEjpopj" bggebub" p" ej" jn qpsup" jog sjsf " b" 211/111" f vsp-" j" uf sn jof" qf s" jrhtjrat djp ef rntvupsjEebEjpopf " eb" qbsuf " ef nla" tubEjpopf " bqqbrnbouf " tpop" sjepuj" ef nla" n f u/

Bj" tf otj" ef hrijbsu/29-" d/2-" rfnu/ v\* " 31-" d/4" f " bsu/37-" d/9-" ef rte/rht/" 9203119-" opodi è" ef nlosu/6-" d/2-" ef nla M/24703121-" rnbqqbrnbupsf " à" pccrjmbup" b" gposjsf " b" djbt dvo" tphhf up" pddvqub" jo" dhoujfsf " vob" bqqptjub" uf ttf sb ej" sjdpopt djn f oup-" jn qf sn f bcjrj" f e" f tqptub" jo" gsn b" vjtjcrj-" dpssf ebub" ej" guphsbgb-" dpouf of ouf " rfn hf of sbrjuj" ef rrtwpsbupsf -" j" ebuj" jef oujgdbujvj" ef rthbupsf " ej" rtwpsp" f " rla" ebub" ej" bttvoEjpopf " ef rrtwpsbupsf / Mbgqbbrnbupsf " sjt qpoef " ef rna" tuf ttp" pccrjmb" bodi f " qf s" j" rtwpsbupsj" ejqf oef ouj" ebj" tvcbqqbrnbupsj" bvupsjEebuj

di f "ef wf "sjqpsubsf "hrijf t us n j"ef nrvpsj"ef"ef"pof "brtvcbqqbrnp/"Ubrfn"pccrjhp"hsbw"bodi f "jo"dbqp"bj"rhwpsbupsj  
bvpopn j"di f "f tf sdjrbop"ejf ubn f ouf "ra"qspqsb"bujuj"of rfn f ef tjn p"mphp"ej"rhwpsp-"j"r vbrjt"pop"uf ovuj"b  
qspwvf ef swj"qf s'qspqsjp"dpoup/

Mb"tub"ef"pof "bqqbrnbouf "joejdb"of j"epdvn f ouj"ej"hsb"rn"qsf tub"ef"poj"p"rhwpsb"ef"poj"phhf up"ef rhdousbup"ej  
bqqbrnp" di f "-" qvs" tvcbqqbrnb"ef"poj"opo" qptt"pop" gsn bsf " phhf up" ej" vnf sjsf " tvcbqqbrnp-" jo" sbhj"pof " ef rfn  
tqf djgdi f " dbsb"uf sjt"udj f " ef rfn"bqqbrnp" f " ef rfn"tjhf oeb-" uf ovup" dpoup" ef rfn"obuvsb" p" ef rfn" dpn qrfitt"j"ef rfn  
qsf tub"ef"poj" p" ef rfn" rhwpsb"ef"poj" eb" f gf uwbsf "-" ej" sbggs"ef"sf " jrhdpousp"ef"ef" rfn" bujuj" ef" dbouj"sf " f " qjò" jo  
hf of sbrfn"ef j"mphi j"ej"rhwpsp"p"ej"hsbouj"sf "vob"qjò"jouf otb"uuf ra"ef rfn"dpoej"ef"poj"ej"rhwpsp"ef "ef rfn"tbrmf "f  
tjdv"sf "ef"ef"j"rhwpsbupsj"pqqvsf "ej"qsf wf ojsf "jrh"sjt"di jp"ej"jogrnb"ef"poj"dsjn jobrj/

K"qjboj"ej"tjdv"sf "ef"ef"dvj"brte/rht/"9203119"t"pop"n f ttj"b"ejt"qpt"ef"pof "ef rfn"bvupsj"ef" dpn qf uf ouj"qsf qpt"uf  
brfn" wf sjgdi f " jt"qf ujuv" ef" dpousp"ef"ef" dbouj"sj" Mbgjeb"ub"sjp" à" uf ovup" b" dvsbsf " jrhdp"psejobn f oup" ej" wuj" j  
tvcbqqbrnb"upsj"pqf sbouj" of rhdouj"sf "-" brhgof " ej" sf oef sf " hrij"tqf djgdi" qjboj"sf ebu"ej"tjohp"rj"tvcbqqbrnb"upsj  
d"pn qbu"cj"j"l"sb"r"p"sf " dpf sf ouj"dp"jrh"qjboj"qsf tf oubp/

Krtejsf upsf "uf dojdp"ej"dbouj"sf "à"sf tqpotbcjrfn"ef rht"qf up"ef rht"qjboj"eb"qbsf "ej"uwuf "rfn"jn qsf tf "jn qf hobuf  
of rfn"tf dv"ef"pof "ef j"rhwpsj/

Of rht"qf up" ej" sbhhs"vqqbn f oup" uf n qpsbof p" p" ej" dpot"p"ef"p" ef up" pccrjhp" jodpn cf " brhn boeb"ub"sjp/" Km  
ejf upsf "uf dojdp"ej"dbouj"sf "à"sf tqpotbcjrfn"ef rht"qf up"ef rht"qjboj"eb"qbsf "ej"uwuf "rfn"jn qsf tf "jn qf hobuf  
of rfn"tf dv"ef"pof "ef j"rhwpsj/"Dpo"sjg"sjn f oup"bj"rhwpsj"bgjeb"uj"jo"tvcbqqbrnp-"jrh"ejf upsf "ef j"rhwpsj-"dpo"rht"v"j"rj  
ef j"ejf upsf"pqf sbouj"ef "ef hrij"tqf upsf"ej"dbouj"sf "-"pwf "opn jobu"-"t"v"rht"ef"rfn"tf hvf ouj"gy"of"ef"poj;

b\*"wf sjgdb"ra"qsf tf oeb"jo"dbouj"sf "ef rfn"jn qsf tf "tvcbqqbrnb"ub"sjp"bvupsj"ef"ub"-"opodi è"ef j"tvcb"dpousb"ouj-"di f  
opo"t"pop"tvcbqqbrnb"ub"sjp-"j"dvj"opn jobu"v"t"pop"t"bu"j"dn vojdbu"j"brn"t"ub"ef"pof "bqqbrnbouf <

c\*"dpousp"ra"di f "j"tvcbqqbrnb"ub"sjp"ef"j"tvcb"dpousb"ouj"t"v"rht"bop"ef gf ujuvbn f ouf "ra"qbsf "ej"qsf tub"ef"poj"be"fttj  
bgjeb"ub"of rht"qf up"ef rfn"opn bujw"vjhf ouf "f"ef rht"dpousbup"t"uqvrubp/

**Art. 2.14**

**PENALI E PREMI DI ACCELERAZIONE**

Bj" tf otj" ef rfn"ub" 237" d/" 2" ef rht/rht/" 4703134-" j" dpousbu" ej" bqqbrnp" qsf wf epop" qf obrj" qf s" jrh"sb"se  
of rfn"tf dv"ef"pof " ef rfn" qsf tub"ef"poj" dpousbu"vbrj"eb" qbsf " ef rfn"bqqbrnb"ub"sf " dpn n jtvsb"uf " bj" hjpsoj" ej" sjb"se  
qspqps"ef"pob"rj"sjt"qf up"brn" qpsp"ef rht"dpousbup"p"ef rfn"qsf tub"ef"poj"dpousbu"vbrj/

M"qf obrj"lep"wf "qf s"jrh"sb"se"bef n qjn f oup"t"pop"db"ub"ouf "jo"n jtvsb"hjpsob"rj"sb"dpn qsf tb"usb"ra"1-4'  
f "ra" "ef rfn"on n poubsf "of up"dpousbu"vbrn"eb"ef uf sn jobsf "jo"sf rht"ef"pof "brn"ouj"ef rfn"dpot"hf hvf oef "rhn"ub" "bm  
sjb"se-" f " opo" qptt"pop" dpn vor"vf" tvqf sbsf "-" dpn qrfitt"jwbn f ouf "-" jrh 21& " ej" ef up" bn n poubsf " of up  
dpousbu"vbrn/

Kò"dbt"p"ej"n bodbu"p"sjt"qf up"ef rht"sn jof "t"ub"cj"up"qf s"r"v"rjn b"ef"pof "ef j"rhwpsj-"vjf of "bqqrj"ub"vob"qf obrn  
hjpsob"rj"sb"ej"2" ")f vsp"vop"ef "df ouf tjn j"ef sp"phoj"n jrn"ef rfn"qpsp"of up"dpousbu"vbrn/

Uvuf " rfn" qf obrj"t"pop" dpoubc"j"ef"ub" jo" ef ub"ef"pof "-" jo" pddbt"j"pof " ej" phoj" qbhb"n f oup" jn n f ejb"ub"n f ouf  
tvddf ttj"v"brn"wf sjgdb"st"j"ef rfn"sf rhu"v"b"dpoej"ef"pof "ej"sjb"se-"f "t"pop"jn qvub"uf "n f ejb"ouf "sjf ovub"t"v"rjn qpsp  
ef rfn"sb"ub"ej"t"brap"jo"tf ef "ej"dpn"v"ep"j"ob"rj/

Tf "r"v"rjn b"ef"pof " ef j"rhwpsj" bwvjf of "jo" bouj"q"p"sjt"qf up"brn"ub"sn jof "gtt"bup" dpousbu"vbrn f ouf "-" ra"t"ub"ef"pof  
bqqbrnbouf "qv" "qsf wf ef sf "of rht"boep"p"of rht"v"j"p"ej"joej"ef"pof "ef rfn"hsb"vo"qsf n jp"ej"bddf rfn"sb"ef"pof "qf s"phoj  
hjpsop"ej"bouj"q"p-"bj"tf otj"ef rfn"ub" 237"d/"3"ef rht"p"ef"j/

Krtqsf n jp"à"ef uf sn jobu"p"tv"rnb"cbt"ef "ef hrij"t"uf ttj"dsj"uf sjt"ub"cj"up"qf s"rht"ub"ub"ef" rfn"qf obrn"ef e"à"dpssit"qpt"up"b  
tf hvjup"ef rfn"qspw"ub"ef"pof "eb"qbsf "ef rfn"t"ub"ef"pof "bqqbrnbouf "ef rht"uf sjgdb"up"ej"dpn"v"ep-"v"uj"ef"boep-"of j"rjm juj  
ef rfn"sjt"p"st"ef"ejt"qpo"j"cj"r"r"n"t"pn n f "joej"dbuf "of rht"v"besp"ef dpopn jdp"ef rfn"ouf swf oup"sf rhu"v"v"bhrij"jn qsf vjt"uj/

Mb"tub"ef"pof "bqqbrnbouf "qv" "qsf wf ef sf "of j"epdvn f ouj"ej"hsb"jo"ej"brj"vo"qsf n jp"ej"bddf rfn"sb"ef"pof "bodi f "of m  
dbt"p"jo"dvj"jrh"ub"sn jof "dpousbu"vbrn"t"jb"rhn"ju"jn bn f ouf "qsp"sp"hbup"ef "r"v"rjn b"ef"pof "ef j"rhwpsj"bwvf ohb"jo"bouj"q"p  
sjt"qf up"brn"ub"sn jof "qsp"sp"hbup/"Ubrfn"uf sn jof "t"j"dpn qvub"eb"rnb"ebub"psjh"jobsjbn f ouf "qsf vjt"ub"of rht"dpousbup/

**Art. 2.15**

**SICUREZZA DEI LAVORI**

Mbqqbrnb"ub"sf "à"uf ovup"be"ptt"fwbsf "rfn"ejt"qpt"ef"pof"ef rht"qjboj"ej"tjdv"sf "ef"ef"dp"psejobn f oup"ef wf ouw"bm f ouf  
qsf ejt"qpt"up"ebrn"dp"psejob"ub"sf "qf s"ra"tjdv"sf "ef"ef"jo"gtf"ef"ej"qsp"hf ub"ef"pof")DTQ\*"f "n f tt"p"b"ejt"qpt"ef"pof "eb"qbsf  
ef rfn"tub"ef"pof "bqqbrnbouf "-"bj"tf otj"ef rfn"ub"sjd"p"211"ef rht/rht/"o/"9203119/

Mpccrjhp"à"ftuf tp"brn"ub"wf ouw"brj"n pejgdi f "f"jouf hsb"ef"poj"ejt"qpt"uf "bvpopn bn f ouf "ebrn"dp"psejob"ub"sf "qf s"rhn  
tjdv"sf "ef"ef"jo" gt"ef" ej" ftf dv"ef"pof " )DTF\*" jo" tf hvjup" b" tpt"ub"ef"brj"v"sb"j"ef"poj" brn" dpoej"ef"poj" ej" tjdv"sf "ef"ef  
tpqsbwvf ovuf "f"brn"ub"wf ouw"brj"n pejgdi f "f"jouf hsb"ef"poj"bqqspw"ub"p"bddf ubuf "ebrn"t"uf tt"p"DTF/"K"opn jobu"v  
ef rfn"wf ouw"brn"DTQ"ef "ef rht"DTF"t"pop"dpn vojdbu"j"brn"jn qsf tf "f"tf dv"ub"sjd"ef "joej"dbu"of rht"ub"sf "ra"ej"dbouj"sf "b"dv"sb  
ef rfn"tub"ef"pof "bqqbrnbouf /

Mbqqrubupsf -"qsjn b"ef nldpotf hob"ef j"rhwpsj" f -"bodi f "jo"dbtp"ej"dpotf hob"e(vshf oeb-"epwsl"qsf tf ousf brtDTF")bj"tf otj"ef nbsu"211"ef rte/rnt/": "bqsjrn"3119-"o"/9\*"rnf" f wf owbrj"qspqpt uf "ej"jouf hsbepjof "brtQjbop"ej Tjdvf eeb" f "Dppsejobn f oup"brnhbup"brtqspfh up/

Mbqqrubupsf "epwsl" sf ejhf sf "jrhQjbop" P qf sbujvp" ej" Tjdvf eeb" )QP T\*:"jo" sjg sjn f oup" brhtjohprn" dbouf sf jouf sf ttbup-"eb"dpotjef sbf "dnp f "qjbop"dpn qrn f ousf "ej"ef ubhrrp"ef r"qjbop"ej"tjdvf eeb"tqsb'n f oejpobup/ KfQP T"ef wf "f ttf sf "sf ebup"eb"djbt dvob"jn qsf tb"pqf sbouf "of r"bouf sf "f "dpotf hobup"brnt"ubepjof "bqqrubouf - qf s"jrhbun juf "ef mbqqrubupsf -"qsjn b"ef nbsu"ef j"rhwpsj"qf s"jr vbrjff ttp"à"sf ebup/

Rvbrpsb"opo"tjb"qsf vjt up"Qjbop"ej"tjdvf eeb" f "Dppsejobn f oup")QTD\*-"brtqqrubupsf "qpus"j" ttf sf "sdi jf t ub r"sf ebepjof "ej"vo"Qjbop"ej"tjdvf eeb"tptjvujvp")QTT\*"ef r"Qjbop"ej"tjdvf eeb" f "Dppsejobn f oup"dpogpsn f "bj dpouf ovuj"ef nbsu"YVWef rte/rnt/": "bqsjrn"3119-"o"/92/

Of j"dbtj"jo"dvj"à"qsf vjt ub"r"sf ebepjof "ef r"Qjbop"ej"tjdvf eeb" f "Dppsejobn f oup"qsjn b"ef nbsu"ef j"rhwpsj- pwwf sp"jo" dpst p"e(pqf sb-"rnf"jn qsf tf "f tf dvusdj" qpttpop" qsf tf ousf -"qf s"n f eep"ef rnf qsf tb"bgjebubsj-"bm Dppsejobupsf "qf s"rnf tf dvepjof "ef j"rhwpsj"qspqpt uf "ej"n pejgdbepjoi"p"jouf hsbepjoi"brtQjbop"ej"tjdvf eeb" f "ej Dppsejobn f oup"rps"usbt n f ttp"brtjof "ej"bef hvbsof "j"dpouf ovuj"brnt"uf doprhj"qspqsj"ef mbqqrubupsf "f "qf s hsboujsf "jrhstqf up"ef rnf opsn f "qf s"r" qsf wf oepjof "ef hjt jogpswoj" f "r" u w uf r"ef nbsu"tbruf "ef j"rhwpsbupsj f wf owbm f ouf "ejtbuf tf "of r"qjbop"tuf ttp/

Krhqjbop" ej" tjdvsf eeb" epwsl" f ttf sf "sjtqf ubup"jo" n pep" sjhpspt p/" È" dpn qjup" f "pof sf "ef mbqqrubupsf puf n qf sbf "b" u w uf "rnf" ejt qptjepjoi" opsn bujw" vjhf ouj"jo" dbn qp"ej"tjdvf eeb" f e"jhj of "ef r"rhwps"di f "hjn dpodf sopop" f "di f "sjhvbsbep"rnf" qspqsj" n bf t uboef -"n f eep"e(pqf sb" f e" f wf owbrj"rhwpsbupsj"bvupopn j" dvj sjf ohb"ej"bgjebf -"bodi f "jo"qbsf -"rhwpsj"p"qsf t ubepjoi"qf djbrtjdi f "jo"fttj"dpn qsf tj/

Bj"tf otj"ef nbsudprp": 1"ef rte/rnt/"o"/9203119"of j"dbouf sj"jo"dvj"à"qsf vjt ub"r" qsf tf oeb"ej"qjò"jn qsf tf f tf dvusdj-"bodi f "opo"dpouf n qpsbof b-"vjf of "ef r"jhbop"jrhdpsejobupsf "qf s"r"qspfh ubepjof")DTQ\*"-"qsjn b ef nbsu"ef nbsu"ef j"rhwpsj"jrhdpsejobupsf "qf s"rnf tf dvepjof "ef j"rhwpsj")DTF\*"jo"qpttfttp"ef j"sf r vjtjy"ej"dvj nbsudprp": 9"ef rte/rnt/"o"/9203119"Mb"ejt qptjepjof "ej"dvj"brtqf sjep"qsf df ef ouf "tj"bqqrub"bodi f "of r"dbtp"jo dvj-"epq"r"bgjebn f oup"ef j"rhwpsj"b"vo(vojdb"jn qsf tb-"rnf tf dvepjof "ef j"rhwpsj"p"ej"qbsf "ej"fttj"tjb"bgjebub"b vob"p"qjò"jn qsf tf /

Bodi f "of r"dbtp"ej"bgjebn f oup"ef j"rhwpsj"be"vo(vojdb"jn qsf tb-"tj"qspdf ef sl"brnt"tf hvf ouj"wf sjgd f "qsjn b ef nbsu"dpotf hob"ef j"rhwpsj;

b\*" wf sjgd" ef nbsu"epof jw" uf dojdp.qspg ttjopbrn" ef rnf"jn qsf tf "bgjebubsj" -"ef rnf"jn qsf tf "f tf dvusdj" f "ef j rhwpsbupsj"bvupopn j"jo"sf r"epjof "brnt"gvopjoi"p"bj"rhwpsj"eb"bgjebf -"dpo"rnf"n pebrjw"ej"dvj"brnt"brnhbup YVKK"ef rte/rnt/"o"/9203119"Of j"dbouf sj"r"dvj" f oujw"qsf t vob"à"jogf sjpsf "b"311"vpn joj.hjpsop" f "j"dvj rhwpsj"opo" dpn qpsbop"sjt di j"qbsudprpsj"ej" dvj"brnt"brnhbup"YK"jrhf r vjtjup"tj"dpotjef sb"tpeejt duup n f ejbouf "qsf tf obepjof "eb"qbsf "ef rnf"jn qsf tf "f "ef j"rhwpsbupsj"bvupopn j"ef r"df sjgdub"ej"jt dsjepjof brnt"Dbn f sb"ej"dpn n f sdj-"joevt usj" f "bsjhjjobup" f "ef r"epdvn f oup"vojdp"ej"sf hprajsjw"dpousjcvjwb-dpsf ebup"eb"bvupdf sjgdubepjof "jo"psejof "brtqpttfttp"ef hjtbrnsj"sf r vjtjy"qsf vjtjy"ef nbsu"brnhbup"YVKK<

c\*" ejdi jbsbepjof "ef nbsu"shbojdp"n f ejp"boovp-"ejtjoup"qf s"r vbrjgd-"dpsf ebub"ebhrtf t usf n j"ef rnf"ef ovodf ef j"rhwpsbupsj" f qf u w uf "brnt"juv up" obepjobrnt" ef nbsu" qsf vjef oeb"tpdjbrnt")KQQT\*"brnt"juv up" obepjobrnt bttjdvseepjof "jogpswoj"tvhrhwps")KOBKM" f "brnt" dbttf " f ejrj" opodi è" vob" ejdi jbsbepjof "sf r"ujwb"bm dpousbup" dprnrujvp" tjqvrub" ebrnt" pshbojebepjoi" tjoebdrj"dpn qbsujvbn f ouf "qjò" sbqqsf tf obujw - bqqrubup"bj"rhwpsbupsj"ejqf oef ouj"Of j"dbouf sj"r"dvj" f oujw"qsf t vob"à"jogf sjpsf "b"311"vpn joj.hjpsop" f "j" dvj"rhwpsj"opo" dpn qpsbop"sjt di j"qbsudprpsj"ej" dvj"brnt"brnhbup"YK"jrhf r vjtjup"tj"dpotjef sb"tpeejt duup n f ejbouf "qsf tf obepjof "eb"qbsf "ef rnf"jn qsf tf "ef r"epdvn f oup"vojdp"ej"sf hprajsjw"dpousjcvjwb-"qub tbrnt" r"dr vjtjepjof "e(vgdj" eb" qbsf "ef rnf" t ubepjoi" bqqrubouj" qvccrjdi f -" f "ef nbsu"vupdf sjgdubepjof sf r"ujwb"brtdpousbup"dprnrujvp"bqqrubup<

d\*" dpqjb" ef nbsu" opujgd" qsf rjn jobsf -"tf" sjdpsf "jrhdbtp" ej" dvj" nbsudprp" : : "ef rte/rnt/" o"/ 9203119" f ejdi jbsbepjof "buf t bouf "r"owf ovub"wf sjgd"ef nbsu"epdvn f obepjof "ej"dvj"brnt"rnuw sf "b\*"f "c\*/

Brnt"up"ef nbsu"ep"ef j"rhwpsj-"f"qpttjcjm f ouf "of r"hwf scbrnt"ej"dpotf hob-"r"qqrubupsf -"f"qf s"tv"usbn juf "j tvcbqqrubupsj-"epwsoop"ejdi jbsbsf "f tqqrubun f ouf "ej"ftt sf "b"dpoptdf oeb"ef r"sf hjn f "ej"tjdvf eeb"ef r"rhwpsp- bj"tf otj"ef rte/rnt/": "bqsjrn"3119-"o"/92-"jo"dvj"tj"dpn"db"r"qqrubup" f "djpa;

- jrhpn f "ef r"tdpn n juf ouf "p"qf s"ftt"jo"qpsf"ef rnf"dpn qf uf oef "busjcvjuf hjr"r"qf stpob"di f "rp sbqqsf tf oub<
- jrhpn f "ef r"sf tqpotbcjrn"ef j"rhwpsj-"f wf owbm f ouf "jodbsjdbup"ebrtveef up"Dpn n juf ouf")bj"tf otj ef nbsu"9: "e/rnt/": "bqsjrn"3119-"o"/92\*<
- di f "j"rhwpsj"bqqrubuj"sjf ousbop"of rnf"tphrj"gttbf "ebrnt"su": 1"ef rte/rnt/": "bqsjrn"3119-"o"/92-"qf s"r"b opn job"ef j"Dppsejobupsj"ef nbsu"tjdvf eeb<
- jrhpn f "ef r"Dppsejobupsf "ef nbsu"tjdvf eeb"jo"qptf "ej"qspfh ubepjof <
- jrhpn f "ef r"Dppsejobupsf "ef nbsu"tjdvf eeb"jo"qptf "ej"ftt dvepjof <
- ej"bwf s"qsf tp"vjtjop"ef r"Qjbop"ej"tjdvf eeb" f "Dppsejobn f oup"jo"r vbou"qdf ouf "qbsf "ef r"qspfh up" f ej"bwf svj"bef hvbup"rnf"qspqsj "p"qf s" -"uf of oep"dpou"di f "j"sf r"ujw"pof sj-"opo"tphhf uj"b"sjcbtt p"e(btub-

bttpn n bop"brn qpsup"ej"Vvsp"219 622,29/

Of rnt" gdtf " ej" sf brn"ef"epof " ef rnt"qf sb" jrhdppsejobupsf " qf s" rnt"tf dv"epof " ef j" rtwpsj" pwf " qsf vjt up" bj" tf otj ef rnt"su": 3"e/rnt/": "bqsjrn"3119-"o"/92;

- wf sjgd f sU"usbn ju"pqapsuof "b"epoj"ej"dppsejobn f oup"ef "dpouspmp-"rnt"bqqrnt"epof "eb"qbsuf "ef rnt"jn qsf tf "bqqrnt"usjdj"jf "tvcbqqrnt"usjdj"ef "ef j"rtwpsbupsj"bvupopn j"ef rnt"ejt qpt j"epoj"dpouf ovuf "of m Qjbop"ej"tjdvf "ef" "Dppsejobn f oup"ej"dvj"brnt"su"211-"e/rnt/": "bqsjrn"3119-"o"/92"pwf "qsf vjt up<
- wf sjgd f sU"rnt"epof jU"ef j"Qjboj"p qf sbujw"ej"tjdvf "ef"<
- bef hvf sU"jrt"jboj"ep"tjdvf "ef" "dppsejobn f oup"pwf "qsf vjt up" f "jrt"jboj"ep"jo"sf rnt"epof "brnt"vprnt"epof ef j"rtwpsj"ef "brnt"ef wf ouvbrnt"n pejgd f <
- pshboj"ef sU"usbn"uwuf "rnt"jn qsf tf "qsf tf ouj"b"vbsj"ujuprnt"jo"dbouj sf -"rnt"dppqf sb"epof "f e"jm dppsejobn f oup"ef rnt"buwvjw"qf s"rnt"qsf wf o"epof "f "rnt"qspuf "epof "ebj"sjt di j<
- tpwsjof oef sU"brnt"buwvjw"jogpsn buwb"ef "gpsn buwb"qf s"j"rtwpsbupsj"ef tqrfub"eb"rnt"vbsj"jn qsf tf <
- dpouspmp"rnt"dpss uf "bqqrnt"epof -"eb"qbsuf "ef rnt"jn qsf tf -"ef rnt"qspdf evsf "ej"rtwpsp"ef -"jo"dbt p dpousbjsj-"buwv sU"rnt"b"epoj"dpss ujw"qjò"ef "ggdbdj<
- tf hobrnt"brnt"dpn n ju"ouf "p"brnt"sqpot bcjrn"ef j"rtwpsj"qsf vjb"dpouf t ub"epof "tdsjub-"rnt"jobef n qj"of ef eb"qbsuf "ef rnt"jn qsf tf "f"ef j"rtwpsbupsj"bvupopn j<
- qspqpsu"rnt"tpt qf otj"epof "ef j"rtwpsj-"rnt"poubobn f oup"ef rnt"jn qsf tf "p"rnt"sjt p"epof "ef rnt"dpousbup/

Of rnt"bt p"jo"dvj"rnt"tub"epof "Bqqrnt"ouf "p"jrt"sqpot bcjrn"ef j"rtwpsj"opo"bepujop"brnt"vo"qspwv"ef jn f oup-"tf oeb gposj"jepof b"n puw"epof -"jrt"DTF"qspwv ef "b"eb"sf "dpn vojdb"epof "ef rnt"jobef n qj"of oeb"brnt"BTM"ef "brnt"E"js"epof Qspvjodjbrnt" ef rh"mvpsp/" Ko" dbt p" ej" qf sjdprnt" hsbw" f e" jn n jof ouf -" ej"sf ubn f ouf " sjt dpousbup-" f hjrt" qpusU tpt qf oef sf " rnt" tjohprnt" rtwpsb"epoj-" gop" brnt" wf sjgd" ef hjrt" bwv ovuj" bef hvbn f ouj" f gf uwvuj" eb"rnt" jn qsf tf jof sf ttbf /

K"qjboj"ej"tjdvf "ef"epwsboop"dpn vor vf "f ttf sf "bhjpsobuj"of rnt"dbt p"ej"ovpw"ejt qpt j"epoj"jo"n buf sjb"ej tjdvf "ef" f "ej"jhjf of " ef rnt"rtwpsp-" p"ej"ovpw" djsdpt uboef " jof svf ovuf " of rnt"dpst p" ef rnt"bqqrnt"opodi è" phoj r vbrnt"rnt"bqqrnt"upsf "jof oeb"bqapsbsf "n pejgd f "brnt"n jt vsf "qsf vjt uf "p"bj"n bddi jobsj"ef e"busf "ef busf "eb jn qj" hbsf /

M"bqqrnt"upsf "epws"j"qpsbsf "b" dpot df oeb"ef rnt"qf st pobrnt"jn qj" hbu"jo"dbouj sf "f"ef j"sbqqsf tf ouboj"ef j rtwpsj"qf s"rnt"tjdvf "ef"jrt"jboj"ep"tjdvf "ef" f "jhjf of "ef rnt"rtwpsp"ef "hjrt"wf ouvbrnt"tvdff ttjw"bhjpsobn f ouj-"brnt"tdpqp"ej"jogpsn bsf "f "gpsn bsf "ef up"qf st pobrnt"tf dpoe"rnt"ej"sf ujw" f wf ouvbrnt" f ouf "f n bobuf "ebrnt"dpsejobupsf qf s" rnt"tf dv"epof " ef j" rtwpsj/"Bj"tf otj"ef rnt"usjdprnt"22: -"d"/23-"ef rnt"/rnt/"4703134-"rnt"ggjebusj"à"t prjebm f ouf sf tqpot bcjrn"dpot"j"tvcbqqrnt"upsf"qf s"rnt"jrt"be"n qjn f ouj-"eb"qbsuf "ej"r vft up"vrtjn p-"ef rnt"pccrnti j"ej"tjdvf "ef qsf vjt uj"eb"rnt"opsn buwb"vjhf ouf /

M"hsbvj"p"sjqf uwuf "vjprnt"epoj"ef j"qjboj"ej"tjdvf "ef"eb"qbsuf "ef rnt"bqqrnt"upsf -"dpn vor vf "bddf sbuf -"qsf vjb gpsn brnt"dpot ujw"epof "jo"n psb"ef rnt"jof sf ttbup-"dpt ujwjt dpot"dbvt b"ej"sjt p"epof "ef rnt"dpousbup/

**Art. 2.16**

**OBBLIGHI DELL'APPALTATORE RELATIVI ALLA TRACCIABILITÀ DEI FLUSSI FINANZIARI**

M"bqqrnt"upsf "bttvn f "uwuj"rnt"pccrnti j"ej"usddjbcjrn"ef j"gvnt"j"jgoboe"jsj"ej"dvj"brnt"su"4"ef rnt"m"24703121-b"qf ob"ej"ovrnt"U"ef rnt"dpousbup/

Uwuj"j"n pvjn f ouj" gobo"jsj" sf rtwjw" brnt"jof svf oup" qf s" qbhb" f ouj" b" dpwv" ef rnt"bqqrnt"upsf -" p" ej" uwuj" j tphhf uj" di f " f tf hvpop" rtwpsj-" gposjt dpot" cf oj" p" qsf tubop" tf sv"ej" jo" sf rnt"epof " brnt"jof svf oup-" bwv ohpop n f ejbof " cpojgd" cbodbsj" p" qpt ubrnt"pwv sp"brnt"n f "ep"di f "tjb"bn n f ttp"ebrnt"sejobn f oup"hjvsjejd"jo r vbop"jepof p"bj"goj"ef rnt"usddjbcjrn"U"Ubrnt"qbhb" f ouj"bwv ohpop"vuj"epoe"j"dpou"dpssf ouj"ef ejdbuj/

M" qsf tdsj"epoj" tvjoejdbuf "tpop" sjqpsb" bodi f " of j" dpousbuj" tpupt dsuj" dpot" tvcbqqrnt"upsf" f Qp tvcdpousb"ouj"b"r vbrnt"j"ujuprnt"jof sf ttbuj"brnt"jof svf oup/

M"bqqrnt"upsf "tj"jn qf hob-"joprnt"-" b" ebsf "jn n fejbub" dpn vojdb"epof " brnt"tub"epof " bqqrnt"ouf " f e" brnt"qsf gf uwv"vggdj"uf ssjpsjbrnt"ef rnt"hpv sop"ef rnt"qspvjodj"pwv ""i b""tf ef ""rnt"tub"epof ""bqqrnt"ouf -"ef rnt"opuj"eb ef rnt"jobef n qjn f oup" ef rnt"qspqsb" dpousqbsuf ")tvcbqqrnt"upsf Qvcdpousb"ouf \*i"brnt"pccrnti j"ej" usddjbcjrn"U gobo"jsj"K"m bodbup"vuj"ep"ef rnt"cpojgd"cbodbsj"p"qpt ubrnt"pwv sp"ef rnt"brnt"t usv" f ouj"jepof j"b"dpotf ouj"sf rnt"qj" ob"usddjbcjrn"U"ef rnt"pqf sb"epoj"dpot ujwjt df "dbvt b"ej"sjt p"epof "ef rnt"dpousbup/

**Art. 2.17**

**ANTICIPAZIONE - MODALITÀ E TERMINI DI PAGAMENTO DEL CORRISPETTIVO**

Bj"tf otj" ef rnt"su" 236" ef rnt"/rnt/" 4703134-" tvrhwb"upsf " ef rnt"dpousbup" e(bqqrnt" vj" of " dbrnt"up" rnt" qpsup ef rnt"oujdb"epof "ef rnt"qsf "ep"qbsj"brnt"1& "-jods n f obcjrnt"gop"brnt"1& -"eb"dpssjt qpoef sf "brnt"bqqrnt"upsf "f oup 26"hjpsoj"ebrnt"gf ujw"joj"ep"ef rnt"qsf tub"epof /

Mf sphb"epof "ef rnt"oujdb"epof -"dpotf ouj"bodi f "of rnt"dbt p"ej"dpotf hob"jo"vjb"e(vshf oeb-"bj"tf otj"ef rnt"su" 28-"d"/9" f " : " ef rnt"dejd" f "à"tvcpsejobub"brnt"dpot ujw"epof " ej" hbsbo"eb"gef jvt tpsj"cbodbsj"p" bttjdv"sbujw"ej

jn qpsup" qbsj" bntoujdqbejpop" n bhjpsbup" ef rthbtp" ej" jof sf ttf " rhhbrn" bqqrbub" brhf sjep" of df ttbsj" bm sf dvqf sp" ef rthbtp" tuf ttb" tf dpoep" jrhdspopqspshbn n b" ef rthb" qsf t ubejpop /" Mb" qsf ef ub" hbsboejb" à srtat djub" eb" jn qsf tf "cbodbsj" "bvupsjebuf "bj"tf otj"ef rthb"217" d/4"ef rthbpejdf -"p"bttdjvdsbujv -"bvupsjebuf "brn dpqf sv"sb"ef j"stid j"bj"r vbrjtj"sgf stjdf "rthbtdjvdsbejpop" f" di f "stqpoepop"bj"sf r vjtju"ej"tpwjcjrj"qsf vjtju"ebrn rhhj" di f "of "ejtdqrbop" r"stjdf ujb" bujwjl/" Mb" hbsboejb" qv" f ttf sf -"brsf té" srtat djub" ebhrtj" jof sn f ejbsj goboebjsj" jt dsjuj" of rthb" ef hrtj" jof sn f ejbsj" goboebjsj" ej" dvj" brnbsj/" 217" ef rthb/rthb/" 49602: : 4" di f "twpthpop f tdrvtjwb" f ouf "bujwjl"ej" srtat djp" hbsboejf" f "t pop"t pupqptj" b"sf vjtjpop" dpoubcjrf/

Mb" hbsboejb" gef jvttpsjb" à" f n f ttb" f " gsn bub" ejhjubm f ouf " f e" à" wf sjgdbcjrf" uf rthb bydbn f ouf " qsf tt p rthb n juf ouf -" pwwf sp" hf tujb" n f ejbouf " sdpst p" b" qjbubgpn f " pqf sbouj" dpo" uf doprphjf " cbtbf " tv" sf hjt usj ejt usjcvj" bj" tf otj" ef rthb" 9. uf s" d/" 2-" ef rthb/E/M/" 24603129-" dpowf sujup-" dpo" n pejgdbepoj-" ebrn" M/" 230312: - dpogpn j" brn" dbsuf stj udi f "t ubcjrj" ebrn" hje" dpo" jrthspwef ejn f oup" ej" dvj" brnbsj/" 37" d/" 2" ef rthbpejdf /

Mjn qpsup" ef rthb" hbsboejb" à" hsebvbn f ouf " f " bvupn bydbn f ouf " sjepup" of rthdpst p" ef rthb" qsf t ubejpop -" jo sbqqpsup" brthspshf ttjvp" sf dvqf sp" ef rthb" qbsf "ef rthb" t ubejpop "bqqbrnbouf /" Kthf of gdbjsj" ef dbej ebrn" t ubejpop -" dpo" pccrthp" ej" sf tjuv" t ubejpop -" tf " rthb" tf dv" t ubejpop "ef rthb" qsf t ubejpop "opo" qspdf ef -" qf s" sjubsej" b" rthb jn qvbcjrj" tf dpoep" j" f n qj" dpousubwbrj" Tvrn" t pn n f "sf tjuv" t ubejpop "epwuj" hrtj" jof sf ttj" rthb" j" dpo" ef dpsf oeb ebrn" eub" ej" f sphbejpop "ef rthb" boujdqbejpop /

Mbqqbrnbup" bwsj" ejsjup" b" qbhn f ouj" jo" bddpou" jo" dpst p" e" pqf sb-" phoj" r vbrtvp" rthb" jrtvp" dsf ejup-" brthf up ef rthb" btt p" e" (bt ub" f "ef rthb" qsf t dsjuj "sjuf ovuf -" sbhhjvohb" rthb" djsb" ej" Fvsp" 611/111-11/

Of j" dpousub" ej" rthb" qbhbn f ouj" sf rthb" bhrtj" bddpou" ef rthb" spst qf ujb" t pop" f gf uwbuj" of rthb" sn jof "ej" 41 hjpsj" ef dpsf ouj" ebrn" bep" ej" phoj" TBM" t brn" di f "tjb" f tqsf ttbn f ouf "dpodpsebup" of rthb" dpousub" vo" ejw" st p uf sn jof -" dpn vor vf " opo" tvqf sjps" b" 71" hjpsj" f " qvsci è" dji " tjb" phhf ujb" n f ouf " hjt ujbub" ebrn" obwsb qbsjdrthf" ef rthb" dpousub" p" eb" brn" of "tvf " dbsuf stj udi f /

Kthb" sdbwub" ebrn" hje" hrtj" up" ej" dpoubcjrj" à" srtat djub" of rthb" n pebrj" f "of j" f sn jof" joejdbuj" of rthb" dpousub/" B ubrtj" of -" jrthjsf upsf " ef j" rthb" bddf sb" tf oeb" joevhj" jrthsbhhjvohj" f oup" ef rthb" dpoej" dpousubwbrj" Ko n bodboeb" r" dpn vojdb" rthb" tf dvpsf " ef j" rthb" Dpouf twbn f ouf " brn" t jup" qptjuv" ef rthb" ddf sbn f oup-" pqqvsf dpouf twbn f ouf " brthsf vjn f oup" ef rthb" dpn vojdb" ef rthb" tf dvpsf -" jrthjsf upsf " ef j" rthb" bep" jrtb" r" r" usbn f uf "brthSVQ/

Ko" dbtp" ej" ejgpn jw" us" rthb" wbrn" t ubejpop" ef rthb" upsf " ef j" rthb" f " r vf rthb" ef rthb" tf dvpsf " jo" n f sjup" bm sbhhjvohj" f oup" ef rthb" dpoej" dpousubwbrj" qf s" rthb" ef rthb" jrtb" rthb" upsf " ef j" rthb" b" tf hvjup" ej uf n qf tjuv" dpousubwbrj" dpo" rthb" tf dvpsf -" bsd" jwb" rthb" dpn vojdb" ef rthb" pqqvsf " bep" jrtb" r" r" usbn f uf jn n f ejbub" f ouf "brthSVQ/

K" df sjgdbuj" ej" qbhn f oup" 3\* sf rthb" bhrtj" bddpou" ef rthb" spst qf ujb" t pop" f n f ttj" ebrthSVQ" dpouf twbn f ouf brn" bep" ej" phoj" TBM" f " dpn vor vf " f oup" vo" uf sn jof "opo" tvqf sjps" b" 8" hjpsj/" Kthb" qsf vj" wf sjgdb" ef rthb" sf hrtj" dpousubwbrj" ef rthb" tf dvpsf " f " ef j" tvcbqqbrnbup" jowj" jrthf sjgdbuj" ej" qbhn f oup" brn" t ubejpop bqqbrnbouf -" rthb" r vbrn" qspdf ef " brthqbhn f oup/" Mf tf dvpsf " f n f uf " gubwsb" brn" pn f oup" ef rthb" bep" ef m df sjgdbuj" ej" qbhn f oup/

Kthb" srtat djub" jrthf sjgdbuj" ej" qbhn f oup" sf rthb" "sbub" ej" t brep" brn" t jup" qptjuv" ef rthb" rthb" ef j" rthb" f " dpn vor vf " f oup" vo" uf sn jof "opo" tvqf sjps" b" 8" hjpsj" ebrn" n jt t jup" ef j" sf rthb" df sjgdbuj/" Kthb" qbhn f oup" à f gf uwbuj" of rthb" sn jof "ej" 41" hjpsj" ef dpsf ouj" ebrn" t jup" qptjuv" ef rthb" rthb" -" t brn" opo" tjb" dpodpsebup" vo ejw" st p" uf sn jof "of rthb" opo" tvqf sjps" b" 71" hjpsj" f " qvsci è" dji " tjb" phhf ujb" n f ouf " hjt ujbub" ebrn" obwsb" qbsjdrthf" ef rthb" dpousub" p" eb" brn" of "tvf " dbsuf stj udi f /

Kthb" sjgdbuj" ej" qbhn f oup" opo" dptjuv" df " qsf t voejpop" ej" bddf ubejpop "ef rthb" qf sb-" bj" tf otj" ef rthb" 2777" d/ 3" ef rthb/

Ko" dbtp" ej" sjubsep" of j" qbhn f ouj" tj" bqqrbub" hrtj" jof sf ttj" n psbupsj" ej" dvj" bhrtj" bsu/" 6" f " 7" ef rthb/rthb/ 34203113/

Mf " qjbubgpn f " ejhjubrtj" ej" dvj" brnbsj/" 36" ef rthbpejdf -" bttjdvsop" rthb" sdpoev drcjrj" ef rthb" gubwsf " f rthb" pojdi f bhrtj" bddpou" dpst qpoef ouj" bj" TBM" f " b" uwbuj" qbhn f ouj" ef j" t johpjrj" dpousubuj" hbsouf oep" rthb" jof spqf sbcjrj" dpo" j tjt uf n j" df osbrtj" dpoubcjrj" qvccrthb/" Mf " qsf ef uf " qjbubgpn f " t pop" jof hsbu" dpo" rthb" qjbubgpn b" uf doprphjdb qf s" rthb" jof sdpoof ttjpop" f " rthb" jof spqf sbcjrj" us" rthb" qvccrthb" f " bn n jojt ubejpop" f " j" qsf t ubepsj" ej" tf swj" ej qbhn f oup" bcjrj" qsf vjtub" ebrnbsj/" 6" ef rthbpejdf "ef rthb" n jojt ubejpop "ejhjubrtj" ej" dvj" brnbsj/" 9303116/

Bj" tf otj" ef rthb" 22" d/" 7" ef rthbpejdf -" jo" dbtp" ej" jobef n qj" oeb" dpousubwbrj" stj vrbouf " ebrn" rthb" f oup" vojdp" ej sf hrtj" dpousubwbrj" sf rthb" b" qf st pobrtj" ejqf oef ouf " ef rthb" gubwsb" p" ef rthb" vcbqqbrnbup" p" ef j" t phhf ujb ujb" rthb" ej" tvcbqqbrn" f " dpouj" j" jn qj" hbup" of rthb" tf dv" t ubejpop "ef rthb" dpousub" rthb" t ubejpop " bqqbrnbouf " usbu" of " ebrn df sjgdbuj" ej" qbhn f oup" rthb" qpsup" dpst qpoef ouf " brn" jobef n qj" oeb" qf s" jrthvddf ttjvp" w" stbn f oup" ejsf up" bhrtj f ouj" qsf vjef oeb" rthb" " bttjdvsbuj" dpn qsf tb-" of j" rthb" rthb" dbttb" f ejrf/

Ko" phoj" dbtp" tvrtj" qpsup" of up" qspshf ttjvp" ef rthb" qsf t ubejpop" à" pqf sbub" vob" sjuf ovub" ef rthb" 1-61& < rthb" sjuf ovuf " qptt pop" f ttf sf " tvjodpouf " t rthb" jo" tf ef " ej" rthb" vjeb" rthb" gobrth" epq" rthb" qspw" rthb" bep" eb" qbsf "ef rthb" t ubejpop " bqqbrnbouf " ef rthb" sjgdbuj" ej" rthb" rthb" p" ej" wf sjgdb" ej" dpogpn jw" qsf vj" srtat djp" ef rthb" rthb" f oup" vojdp ej" sf hrtj" dpousubwbrj/

Ko" dbtp" ej" sjubsep" of rthb" qbhn f oup" ef rthb" sf usjcv" rthb" epwuf " brthf st pobrtj" jrthb" rthb" jowjub" qf s" jt dsjuj" jrthb" phhf up

jobef n qjf ouf -"f e" jo" phoj" dbtp" rbggebubsp-" b" qspw ef swj" f oup" j" tvddf ttjw" 26" hjpsoj/" P wf " opo" tjb" tubub  
dpouf tubub" gsn bmf ouf "f " n puwbubn f ouf " r" goebuf eeb" ef r" sdi jf tub" f oup" j" ruf sn jof " tqsb" bttf hobup-" r  
tubepof " bqqrubouf " qbhb" bodi f " jo" dpstp" e" pqf sb" ejsf ubn f ouf " bj" r" wpsubspj" r" sf usjcvEjpoj" bssf usbf -  
ef usbf oep" j" ruf r" uwp" jn qpsup" ebrn" tpn n f " epwuf " b" rbggebubsp" ef r" dpousbup" pwwf sp" ebrn" tpn n f " epwuf " b" m  
tvcbqqbrubpsf " jobef n qjf ouf " of r" dbtp" jo" dvj" tjb" qsf vjt up" j" r" qbhb n f oup" ejsf up/

**Art. 2.18**  
**CONTO FINALE - AVVISO AI CREDITORI**

Tj" tubcjrjtdf " di f " j" r" dpouf " gobrnf " vj of " dpn qjr" up" f oup" 41" hjpsoj" ebrn" eub" ef r" vrgn bEjpoj " ef j" r" wpsj/

K" r" dpouf " gobrnf " ef j" r" wpsj" " a" dpn qjr" up" ebrn" Ejsf upsf " ef j" r" wpsj" b" t" f hvjup" ef r" d" f sujgdbEjpoj " ef r" vrgn bEjpoj  
ef hrj" tuf ttj" f " usbt n f ttp" brhSVQ" vojubn f ouf " be" vob" sf r" Ejpoj -" jo" dvj" tpop" joejdbuf " r" vjdf oef " b" r" r" vbrj  
r" r" tf dvEjpoj " ef r" wpsj" " a" tubub" t" phhf ub- " b" r" hboep" uub" r" sf r" uwb" epdvn f oup" Ejpoj /

K" r" dpouf " gobrnf " ef j" r" wpsj" " a" tpuptdsjup" ebrn" tf dvpsf / " B" r" up" ef r" gsn b- " r" tf dvpsf " opo" qv" j" tdsjw sf  
epn boef " qf s" phhf up" p" qf s" jn qpsup" ejw sf " eb" r" v" r" r" gsn vrbuf " of r" hsf hjt usp" ej" dpoubcjrj" evsbof " r  
twp" r" jn f oup" ef j" r" wpsj- " f " ef w" dpog sn bsf " r" s" j" f swf " hj" j" tdsjw " t" jop" b" r" v" r" r" pn f oup" of hrj" buj" dpoubcjrj" " T  
r" qqbrubpsf " opo" gsn b" j" r" dpouf " gobrnf " of r" hsf sn jof " joejdbup- " opo" tvqf sjpsf " b" 41" hjpsoj- " p" t" f " r" tpuptdsjw  
tf oeb" dpog sn bsf " r" epn boef " hj" gsn vrbuf " of r" hsf hjt usp" ej" dpoubcjrj" j" r" dpouf " gobrnf " tj" jof oef  
ef gojvbn f ouf " bddf ubup/

Gsn bup" ebrn" tf dvpsf " j" r" dpouf " gobrnf " p" t" dbevup" j" r" hsf sn jof " tqsb" bttf hobup- " j" r" SVQ" f oup" j" tvddf ttjw" 71  
hjpsoj- " sf ejhf " vob" qspqsb" sf r" Ejpoj " gobrnf " s" j" f svub" of r" vbrn" f t" qsn f " qbsf sf " n puwbup" tvub" goebuf eeb" ef r  
epn boef " ef r" tf dvpsf " qf s" r" vbrj" opo" t" jop" jof swf ovj" r" usbot bEjpoj " p" r" ddpsep" c pobsj/

B" r" up" ef r" sf ebEjpoj " ef r" d" f sujgdbup" ej" vrgn bEjpoj " ef j" r" wpsj" j" r" SVQ" eU" bwj" p" b" r" t" joebdp" p" b" j" t" joebdj" ef m  
dpn vof " of r" dvj" f " s" s" j" p" t" j" f t" f hvjsboop" j" r" wpsj- " j" r" vbrj" d" v" s" op" r" qvccjrj" bEjpoj " ej" vo" bwj" p" dpouf of ouf  
r" uwp" qf s" d" r" p" s" j" r" vbrj" w" boujop" dsf ejj" w" st" p" r" tf dvpsf " qf s" jof c" j" f " pddvqbEjpoj" ej" bsf " p" t" ubcjrj" f " ebooj  
bsf dbj" of r" tf dvEjpoj " ef j" r" wpsj- " b" qsf t" f oubsf " f oup" vo" f sn jof " opo" tvqf sjpsf " b" 71" hjpsoj" r" sbhjpoj" ef j" r" psp  
dsf ejj" f " r" sf r" uwb" epdvn f oup" Ejpoj / " Usbt dpst" p" r" v" t" up" f sn jof " j" r" t" joebdp" usbt n f uf " brhSVQ" j" s" j" vrbuj  
ef r" oEjef up" bwj" p" dpo" r" qspw " ef r" b" w" w" ovuf " qvccjrj" bEjpoj" f " e" j" sf d" r" j" f w" owbmf ouf " qsf t" f oubj" / " K" r" SVQ  
jovjub" r" tf dvpsf " b" t" peejt gsf " j" dsf ejj" eb" m" j" s" j" d" p" o" t" djv" f " r" v" j" o" e" j" s" jn f uf " b" r" d" p" r" v" e" b" u" p" s" f " j" epdvn f ouj" s" j" d" f w" u  
ebrt" joebdp" p" ebj" t" joebdj" jof sf t" t" b" j" b" h" j" v" o" h" f" oep" j" r" t" v" p" qbsf sf " jo" n f s" j" up" b" djbt d" v" o" u" j" p" r" ej" dsf ejj" f e  
f w" owbmf ouf " r" qspw " ef r" b" w" w" ovuf " b" d" j" b" Ejpoj/

B" r" dpouf " gobrnf " j" r" ejsf upsf " ef j" r" wpsj" b" r" h" b" r" t" f hvf ouf " epdvn f oup" Ejpoj ;

- j" r" v" f" scbrnf " p" j" w" scbrj" e" j" dpotf hob" ef j" r" wpsj <
- hrj" buj" ej" dpotf hob" f " s" j" d" potf hob" ej" n f E" j" e" (pqf sb- " bsf f " p" dbw" ej" qsf t" u" j" p" d" potf ttj" jo" v" t" p  
b" r" tf dvpsf <
- r" f" w" owbrj" qf s" j" f " ej" w" s" j" bouf -" d" po" hrj" f" t" usf n j" ef r" j" o" u" f" swf ovub" bqqspswEjpoj <
- hrj" f" w" owbrj" l" o" v" p" w" j" qsf E" j" f " j" s" f" r" u" j" w" v" scbrj" e" j" dpodpsebn f oup- " buj" ej" t" pu" p" n" j" t" j" p" o" f " f " buj  
b" h" j" v" o" u" j" v" j- " d" po" hrj" f" t" usf n j" ej" bqqspswEjpoj " f " ej" sf hjt usEjpoj <
- hrj" p" se" j" o" j" ej" t" f swEj" p" jn qbsuj <
- r" b" t" j" o" u" f" t" j" ef r" o" e" bn f oup" f " ef r" p" t" w" j" r" q" q" p" ef j" r" wpsj" d" po" r" j" o" e" j" d" b" E" j" p" o" f " ef r" f" w" owbrj" s" j" t" f" swf " f " r" b  
n f oEjpoj " ef r" f" w" owbrj" l" s" bot bEjpoj" f " b" d" p" se" j" c" p" o" b" s" j" j" o" u" f" swf ovj- " opodi e" v" o" b" sf r" Ejpoj  
s" j" t" f" svub" sf r" u" j" w" b" b" r" n" s" j" t" f" swf " ef r" r" tf dvpsf " opo" b" o" d" p" s" b" ef gojuf <
- j" w" scbrj" e" j" t" p" t" qf o" t" j" p" o" f " f " s" j" q" s" f" t" b" ef j" r" wpsj- " j" r" d" f" s" u" j" g" d" b" u" p" ej" vrgn bEjpoj " ef j" r" wpsj" d" po  
r" j" o" e" j" d" b" E" j" p" o" f " ef j" s" j" b" s" e" j" f " ef r" f" s" f" r" u" j" w" v" " d" b" v" t" f <
- hrj" f" w" owbrj" t" j" o" j" t" u" s" j" p" e" b" o" o" j" b" qf s" t" p" o" f -" b" o" j" n" b" r" i" p" d" p" t" f " d" po" j" o" e" j" d" b" E" j" p" o" f " ef r" f" q" s" f" t" v" n" j" c" j" r" j" d" b" v" t" f " f  
ef r" f" s" f" r" u" j" w" v" " d" p" o" t" f" hvf oEj <
- j" q" s" p" d" f" t" j" w" scbrj" e" j" b" d" d" f" s" b" n" f oup" ej" g" b" u" j" p" ej" f" t" qf s" jn f oup" ej" qspw <
- r" h" s" d" i" j" f" t" u" f " ej" q" s" p" s" p" h" b" f " r" f" s" f" r" u" j" w" v" " ef u" f" s" n" j" o" b" E" j" p" o" j" ef r" SVQ- " b" j" t" f" o" t" j" ef r" o" s" j" d" p" r" 232- " d" p" n" b" 9-  
ef r" t" d" e" j" d" f <
- hrj" buj" dpoubcjrj" p" t" t" j" b" j" r" c" s" u" j" ef r" f" h" j" t" v" s" f " f " j" r" h" s" f" h" j" t" u" s" p" ej" dpoubcjrj" <
- w" u" p" d" j" " di f " qv" j" o" u" f" s" t" t" b" s" f " r" b" t" u" p" s" j" b" d" s" p" o" r" p" h" j" d" b" ef r" r" tf dvEjpoj -" b" h" j" v" o" h" f" oep" u" w" u" f " r" f" o" p" u" j" e" f  
u" f" d" o" j" d" i" f " f" e" f" d" p" o" p" n" j" d" i" f " di f " q" p" t" t" p" o" p" b" h" f" w" r" a" s" f " j" r" d" p" r" v" e" p/

**Art. 2.19**  
**ULTIMAZIONE LAVORI - COLLAUDO TECNICO-AMMINISTRATIVO**



K'hejsf upsf "ef j" r'awpsj-"b"tf hvjup"ef r'na" d'pn vojdb'ejpof "ef r'nf"tf dv'upsf "ej"bwf ovub"vr'njn b'ejpof "ef j" r'awpsj-qspdf ef "b'na"dpot ub'ub'ejpof "t'v'm"t'ubup"ej"dpot j't'uf o'eb"ef r'nf"pqf sf "jo"dpousbeeju'psj" d'po"r'nf"tf dv'upsf -"f n f uf"j'm df s'jgd'ubup"ej"vr'njn b'ejpof "ef j" r'awpsj" f "r'p"jow'jb"br'fSVQ-"j'r'v v'br'n"of "s'j'at d'jb"dp'q'jb"dpog'sn f "b'na"tf dv'upsf /"Ubr'n df s'jgd'ubup" d'p't'uj'jt' d'f "u'j'p'r'a"t'j'b"qf s"r'na"q'q'j'ub'ejpof "ef r'nf"qf ob'r'j'l'qsf v'j't'uf "of r'na"dpous'bu'p"qf s"j'r'hd'bt'p"ej"sj'b'se'bu'b f'tf dv'ejpof -"t'j'b"qf s"r'na"t't'f h'ob'ejpof "ej"vo"uf sn j'of "qf s'f ou'psj"qf s"r'nf"tf dv'ejpof "ej" r'awpsj"ej"qj'dd'r'a" f'ou'j'w"opo jod'jef ou'j't'v'm't'p" f "r'na" g'o'ej'pob'r'j'w"ef r'nf"pqf sf /

Opo"pr'af "7"n f't'j'eb'm'vr'njn b'ejpof "ef j" r'awpsj)1\*"j'r'na"p'avep"v'j'f of "d'pn q'r'n'ubup"t'f d'p'oep"r'n"ej't'q'p't'j'ej'p'oj"sj'q'ps'bu'b b'na"su"227" f "b'na"t'f'ej'pof "K'K"ef r'na"b'na"hbup"K'K/25"ef r'na"r'na"/4703134/

K'na"p'avep"sb'q'q'sf t'of ub"r'na"u'j'w"j'w"ej"v'f s'j'gd'ub" g'ob'r'n"ef j" r'awpsj" f e"à" g'ob'r'n"ubup" b"df s'j'gd'ub" j'r'hs'jt'q'f up"ef r'nf d'bs'bu'f s'j't'j'di f "uf do'j'di f -"f d'p'op'n j'di f "f"r"v'b'r'j'ub'j'w"ef j" r'awpsj" f "ef r'nf"q'sf t'ub'ej'p'oj-"op'odi è"ef h'j'l'p'c'j'f u'j'w"j'w"ef j' u'f n qj-"jo" d'p'og'sn j'w"ef r'nf"q'sf v'j't'p'oj" f "q'bu'w'j'ej'p'oj" d'p'ous'bu'w'b'r'j'a" f "d'pn q'sf o'ef" w'uf "r'n"v'f s'j'gd' f "uf do'j'di f q'sf v'j't'uf "eb'r'na"o'ps'n b'uj'w"ef j't'f upsf /

Of r'na"ef ub'h'r'j'p-"j'r'na"p'avep"i b"r'na"p'c'j'f u'j'w"j'w"ef j't'f s'j'gd'ub" di f ;

- r'na"p'q'f sb"p"j'r'na"p'avep"t'j'bop"t'ub'j'f t'f hv'j'j"b"sf h'p'r'a"e'bs'f -"t'f d'p'oep;
  - j'r'na"q'sp'h'f up"b'q'q'sp'w'bu'p" f "r'n"sf r'na"u'j'w" q'sf t'ds'j'ej'p'oj"uf do'j'di f <
  - r'n"v'f w'f ou'w'b'r'j'l'q'f s'j'ej'f "ej"v'bs'j'bu'of <
  - j'r'na"dpous'bu'p" f "h'r'j'f w'f ou'w'b'r'j'l'bu'j"ej"t'p'up'n j't'j'p'of "p"b'h'h'j'v'ou'j'w"ef c'j'ubn f ou'f "b'q'q'sp'w'bu'j"<
- j'eb'j's'j't'v'm'b'ou'j'eb'r'na"dp'ou'bc'j'r'j'w" g'ob'r'n" f "eb'j"ep'dv'n f ou'j'h'j'v't'uj'gd'ub'j'w" d'p'ss'j't'q'p'o'eb'op"q's'b"r'p'sp" f "d'po"r'n' s'j't'v'm'b'ou'f "ej" d'bu'p-"op'o"t'p'r'p"q'f s'ej'n f ot'j'p'oj-"g'sn b" f "r"v'b'ou'j'w"-n b"b'odi f "q'f s'r"v'b'r'j'w"ef j'n bu'f s'j'b'r'a ef j'd'pn q'p'of ou'j'f "ef r'nf"q'sp'w'j't'uf <
- r'n"q'sp'df ev'sf "f t'q's'q's'j'bu'j'w" q'p't'uf "b"db's'j'd'p"ef r'nf"tf dv'upsf "t'j'bop"t'ub'uf "f t'q'r'n'ub'uf "uf n q'f t'uj'w'n f ou'f "f ej'j'm'f ou'f n f ou'f /

Ko"ub'r'n"tf ef "w'f oh'p'op" f t'bn j'ob'uf "b'odi f "r'n" s'j't'f sw'f "ef r'nf"tf dv'upsf -"t'v'm"r"v'b'r'j'l'op'o"t'j'b"j'U"j'ou'f sw'f ov'ub"v'ob s'j't'p'r'aj'ep'of "ef go'j'j'w'b"jo"v'j'b"bn n j'oj't'us'bu'j'w'b"-t'f "j't'ds'j'uf "of r'na"sf h'j't'us'p"ej"dp'ou'bc'j'r'j'w" f "of r'na"dp'ou'p" g'ob'r'n"of j'uf sn j'oj'f of j'n pe'j't'ub'c'j'r'j'w"eb'r'na"b'na"hbup"K'K/25"ef r'na"r'na"pe'j'df /

M"pq'f sb'ej'p'oj"ej" d'na"p'avep"uf sn j'ob'op" d'po"r'nf"n j't'j'p'of "ef r'na"df s'j'gd'ubup"ej" d'na"p'avep"bu'f t'ub'ou'f "r'na" d'na"p'ave'bc'j'r'j'w" ef r'na"p'q'f sb" di f -"jo" b'r'ad'vo'j" d'bt'j"- qv'i " f t't'f s'f "t'p't'uj'w'j'up" eb'r'na"df s'j'gd'ubup" ej" s'f h'p'r'bs'f " f t'f dv'ejpof "s'j'at d'j'ubup" eb'm ej'sf upsf "ef j" r'awpsj/

**Collaudo tecnico - amministrativo**

- Ko"q'sjn p"m'p'h'p-"j'r'na"SVQ"us'bt'n f uf "b'na"p'sh'op"ej" d'na"p'avep)2\*-"jo"q'sn bu'p"db's'ub'df p"p"ej'h'j'ub'r'n";
- dp'q'jb"dp'og'sn f "ef r'na"dpous'bu'p"e(b'q'q'b'r'p" f "ef j'ep'dv'n f ou'j'b'na"b'na"hb'j"-op'odi è"j'r'na"q'sp'w'f ej'n f ou'p"ej b'q'q'sp'w'ej'p'of "ef r'na"q'sp'h'f up<
  - f w'f ou'w'b'r'j'l'q'f s'j'ej'f "ej"v'bs'j'bu'of "f "t'v'q'q'r'f'uj'w" -"d'po"r'n"sf r'na"u'j'w" b'q'q'sp'w'ej'p'oj"j'ou'f sw'f ov'uf "f "dp'q'jb"ef j' s'f r'na"u'j'w"j'w"ej"t'p'up'n j't'j'p'of "p"b'h'h'j'v'ou'j'w"<
  - dp'q'jb"ef r'na"q'sp'h's'bn n b"ej"t'f dv'ejpof "ef j" r'awpsj"sf eb'up"eb'r'na"tf dv'upsf "f "s'f r'na"u'j'w"j'w" f w'f ou'w'b'r'j' b'h'h'j'p's'ob'n f ou'j'b'q'q'sp'w'bu'j"eb'r'na"ej'sf upsf "ef j" r'awpsj<
  - w'f sc'b'r'n"ej"dp'ot'f h'ob"ef j" r'awpsj<
  - ej't'q'p't'j'ej'p'oj"ef r'na"SVQ" f "p'se'j'oj"ej"t'f sw'ej'p" f "sb'q'q's'j"q'f s'j'p'ej'dj" f n f t't'j'eb'r'na"ej'sf upsf "ef j" r'awpsj<
  - f w'f ou'w'b'r'j'l'w'f sc'b'r'j'ej"t'p't'q'f ot'j'p'of "f "s'j'q'sf t'b"r'awpsj<
  - d'f s'j'gd'ubup"ej"vr'njn b'ejpof "r'awpsj<
  - p's'h'j'ob'r'j'ej"u'j'w"j'w"ep'dv'n f ou'j'dp'ou'bc'j'r'j'w" h'j'v't'uj'gd'ub'j'w"q'sf t'ds'j'uj"eb'r'na"b'na"hbup"K'K/25"ef r'na"r'na"pe'j'df <
  - w'f sc'b'r'j'ej"q'sp'w'b"t'v'j'n bu'f s'j'b'r'a"op'odi è"r'n"sf r'na"u'j'w" d'f s'j'gd'ub'ej'p'oj"ej"r"v'b'r'j'w"<
  - dp'ou'p" g'ob'r'n"ef j" r'awpsj<
  - s'f r'na"ej'p'of "ef r'na"ej'sf upsf "ef j" r'awpsj"jo"b'd'd'pn q'b'h'ob'n f ou'p"b'r'na"dp'ou'p" g'ob'r'n"-s'f r'na"u'j'w"ep'dv'n f ou'b'ej'p'of b'na"b'na"hb'ub"op'odi è"r'n"t'j'up"ef r'na"ow'j't'p"b'j"ds'f ej'ps'j"ej"dv'j"b'na"su"j'd'p'r'a" D'p'ou'p" g'ob'r'n". "B'w'j't'p"b'j"ds'f ej'ps'j" <
  - s'f r'na"ej'p'of "ef r'na"SVQ"t'v'r'na"dp'ou'p" g'ob'r'n<
  - s'f r'na"ej'p'oj" s'j't'f sw'bu'f "t'j'b"ef r'na"ej'sf upsf "ef j" r'awpsj"-di f "ef r'na"SVQ"t'v'm" f w'f ou'w'b'r'j'l' s'j't'f sw'f "b'w'bo'eb'uf eb'r'na"tf dv'upsf "ef j" r'awpsj"opo"ef go'j'uf "jo"dp'st'p"e(p'q'f sb<
  - d'f s'j'gd'ub'j"ej"dv'j"b'na"su"29"d"/33"ef r'na"b'na"hbup"K'K/23"ef r'na"r'na"pe'j'df -"r'j'm j'ub'bn f ou'f "b'j"r'awpsj"sf r'na"u'j'w"j'w" b'na" d'bu'f h'p's'j'b" P T"23. B<
  - db'q'j'up'r'ub'p"j'og'sn bu'j'w'p-"q'j'bop"ej"hf t'uj'p'of "j'og'sn bu'j'w'b"-s'f r'na"ej'p'of "t'q'f d'j'b'r'j't'uj'd'b"t'v'm"n p'ef r'na"ej'p'of j'og'sn bu'j'w"di f "bu'f t'uj'j'r'hs'jt'q'f up" f "r'na"b'ef n q'j'n f ou'p"ej"r"v'b'ou'p"q'sf t'ds'j'up"of r'na"db'q'j'up'r'ub'p"j'og'sn bu'j'w'p" of r'na"q'j'bop"ej"hf t'uj'p'of "j'og'sn bu'j'w'b"-n p'ef r'na"j'og'sn bu'j'w"j'w"b'h'h'j'p's'ob'uj"ev's'bu'of "r'na"tf dv'ejpof "ef r'na"p'q'f sb" f d'p'ss'j't'q'p'o'ef ou'j'b"r"v'b'ou'p"sf b'r'na"ub'up". of r'na"ub'p"jo"dv'j't'j'v'uj'w"eb'op"j'n f u'p'ej'f "h'r'j't'us'v'n f ou'j'ej"hf t'uj'p'of j'og'sn bu'j'w"ej'h'j'ub'r'n"ef r'na"dp't'us'v'ej'p'oj"-ej"dv'j"b'na"su"54" f "b'na"b'na"hbup"K'K: "ef r'na"r'na"pe'j'df <

M'p'sh'op"ej" d'na"p'avep"-ep'q'p"b'w'f s'f t'bn j'ob'uf "f w'f s'j'gd'ubup"r'na" d'pn q'r'n'ub'uf "ef j'ep'dv'n f ou'j"b'd'r'v'j't'j'j"-d'pn voj'd'b b'r'na"SVQ" f "b'r'na"ej'sf upsf "ef j" r'awpsj"j'r'na"j'p's'op"ef r'na"v'j't'j'ub"ej" d'na"p'avep/

Kitejsf upsf "ef j" rlvpsj" n f uf "brtppsf ouf "rftf dvpsf -"jrtqf st pobrf" jodbsjdbup" ef nlt pswf hrbobf "ef nlt dpoabcjru" ef j" rlvpsj" f -"pwf "of df ttbsj- "hrtf wf owbrjtqf jodbsjdbu" ef nlt tjt uf oeb" hjsobrfi sb" ef j" rlvpsj- "bggodi è joul swf ohbop" bnt" vjtjub" ej" dntavep/

Kitejsf upsf "ef j" rlvpsj" b" rtpccrjnp" ej" qsf tf oejbsf "bnt" vjtjub" ej" dntavep < n f ouf -"tf "rftf dvpsf "opo" tj qsf tf oub- "nt" vjtjub" ej" dntavep" vj" of "f tf hvjub" bnt" qsf tf oeb" ej" evf "uf tujn poj" f tusbof j" bnt" tubejpof "bqqbrboub f "rt" sf rlvjw" tqf tb" à" qptub" b" dbsjdp" ef nltf dvpsf /

Ko" phoj" dbtp" rftf dvpsf "n f uf "b" ejtqptj" ejpof "ef nltshbop" ej" dntavep- "b" qspqsb" dvsb" f "tqf tf -" hrt" paf sbj" f "j n f eej" e" (pqf sb" of df ttbsj) "b" f tf hvjsf "rft" pqf sb" ej" poj" ej" sjt dposp- "rft" f tqpsb" ej" poj- "hrt" dboebhrt" hrtf tqf sjn f ouj- dnt qsf tp" r vboup" of df ttbsj- "brt" dntavep" tubjdp/

Evsbof "rt" vjtjub" ej" dntavep" vj" of "sf ebup" bqqptjup" qspdf ttp" wf scbrf- "gsn bup" ebnt" ghvsf "di f" i boop" qsf tp qbsf "bnt" vjtjub- "jo" dvj" tpop" ef tdsj; j;

- j" srtf vj" dnt" ebntshbop" ej" dntavep <
- rft" johprf" pqf sb" ej" poj" f "rft" wf sjgdi f "dnt" qjvuf <
- jrtovn f sp" f "rt" qspgoejw" ef j" t bhhj" f gfw" vj" j" sjt vrbuj" puf ovuj" . j" qvouj" ej" f tf dv" ej" pof "ef j" t bhhj tpop" sjqpsubj" t vj" ejt f hoj" ej" qspfhf up" p" di jbsbn f ouf "joejvjev" vj" b" wf scbrf/

Krtqspdf ttp" wf scbrf" sjqpsub" rft" f hvf ouj" joejdb" ej" poj;

- vob" t joul vjdb" ef tdsj" ej" pof "ef nlt" pqf sb" f "ef nlt" tvb" vcjdb" ej" pof <
- j" qsjodj" brij" f tusf n j" ef nlt" bqqbrp <
- hrtf tusf n j" ef rlvpsw" ejn f oup" ej" opn job" ef nltshbop" ej" dntavep <
- jrt" hjsop" ef nlt" vjtjub" ej" dntavep <
- rft" hf of sbrijw" ef hrt" joul swf ovuj" bnt" vjtjub" f "ej" dnt" psp" di f -" tf ccf of "jovjvuj- "opo" tpop" joul swf ovuj/

Dpogspoub" j" ebu" ej" gup" sjt vrbuj" ebrtqspdf ttp" wf scbrf" ej" vjtjub" dpo" j" ebu" ej" qspfhf up- "ef nlt" vbsjboj bqqspwbf "f" ef j" epdvn f ouj" dpoabcjru" f "gsn vrb" rft" qspqsj" dpotjef sb" ej" poj" t vnt" f dv" ej" pof "ef j" rlvpsj" jo" sbqqpsub bnt" qsf tdsj" ej" poj" dposubw" brij" f "bnt" ejtqptj" ej" poj" jn qbsjuf "ebrt" ejf upsf "ef j" rlvpsj/ "Brtshjvbsbp- "uf of oep" dpoup bodi f "ef j" qbsf sj" ef rltSVQ- "vbmub;

- tf "jrt" rlvpsp" à" dntavebcjru <
- b" r vbrj" dpoej" ej" poj" f "sf tusj" ej" poj" t j" qv" dntavebsf <
- j" qspw" ejn f ouj" eb" qsf oef sf "tf" "opo" à" dntavebcjru <
- rft" n pejgdb" ej" poj" eb" jouspevtj" of rlv" dpoup" gobrf <
- jrt" dsf ejup" p" rft" wf owbrf" ef cjup" n bwsbup" ebnt" f tf dvpsf /

Ftqsn f -"joprasf -" rft" qspqsj" dpotjef sb" ej" poj" t vnt" n pebrjw" ej" dpoev" ej" pof "ef j" rlvpsj" eb" qbsf "ef nlt" f dvpsf "f ef rltvcbqqbrbupsf " f " sf ejhf " bqqptjub" sf rlv" ej" pof " sjt f swbub" jo" dvj" f tqpof " jrt" qspqsj" qbsf sf " tvnt" sjt f swf " f epn boef "ef nlt" f dvpsf "f tvnt" f wf owbrjtqf obrjtqf s" rft" r vbrj" topo" tjb" hjw" joul swf ovub" vob" sjt prv" ej" pof "ef gojvjb/

Ko" dbtp" ej" ejt dpeboeb" sb" rlt" dpoabcjru" f "rt" tubup" ej" gup- "rvtshbop" ej" dpouspmp" bddf sb" rft" dbvt f " bqqpsub rft" pqqpsu" of "sf wjgdi f "brt" dpoup" gobrf/

Tf "rft" ejt dpeboef "t pop" ej" opuf wprf" f oujw- "rvtshbop" ej" dntavep" tptqf oef "rft" pqf sb" ej" poj" f "of "sjg" sjt df "brtSVQ" qsf tf oub" ephrtj" rft" tvf" " qspqptuf < jrtSVQ" usbn f uf " bnt" tubejpof " bqqbrboub" " rlt" sf rlv" ej" pof " f" rft" qspqptuf ef nltshbop" ej" dntavep/

Qv" "dbqjbsf" di f "rvtshbop" ej" dntavep" joejvjev" rlvpsb" ej" poj" n f sjf wprj" ej" dntavep- "n b" opo" qsf wf oujbn f ouf bvpsj" eebuf < jo" ubrt" dbtp" rft" bn n f uf "jo" dpoabcjru" t pmp" tf "rft" sjuf of "joejt" qf otbcjrtqf s" rft" f dv" ej" pof "ef nlt" pqf sb" f tf "rft" qpsup" upbrf" ef nlt" pqf sb- "dnt" qsf t j" j" rlvpsj" opo" bvpsj" eebuj- "opo" f ddf ef "jrt" jv" ef nlt" tqf tf "bqqspwbf" )3\*- "f usbn f uf "rft" qspqsj" vbmub" ej" poj" bnt" tubejpof " bqqbrboub" -" di f "bvpsj" eebuf " rlt" dsj" ej" pof "ef nlt" rlvpsb" ej" poj" sjuf ovuf joejt qf otbcjrt/

Brt" f sn jof " ef nlt" wf sjgdi f -" rvtshbop" ej" dntavep" f n f uf " jrt" df sujgdbup" ej" dntavep" opo" praf " 7" n f tj ebnt" vrtjn" b" ej" pof "ef j" rlvpsj/

Krt" f sujgdbup" ej" dntavep" opo" vj" of "n f ttp" tf "rvtshbop" ej" dntavep" sjrtwb" ejg" vj" p" n bodboef "ej" f oujw" ubrf eb" sf oef sf "jrt" rlvpsp" btt p" mubn f ouf "jobddf ubcjrft" < jo" ubrt" dbtp" j" rlvpsj" opo" tpop" dntavebcjru" rvtshbop" ej" dntavep jopgn b" rlt" tubejpof " bqqbrboub" " usbn f uf oep- " usbn juf "jrtSVQ" qspdf ttp" wf scbrf- " opodi è" vob" sf rlv" ej" pof "dpo" rft qspqptuf "ef j" qspw" ejn f ouj/

## 2.19.1) CERTIFICATO DI COLLAUDO

Krt" f sujgdbup" ej" dntavep" dpouj of "bm f op" rft" f hvf ouj" qbsj;

b\* **INTESTAZIONE PRELIMINARE**- "of nlt" r vbrf" tpop" sjqpsubj;

2\* jrt" dnt n juf ouf "f" rlt" tubejpof " bqqbrboub <

3\* jrt" joejvjev" b" ej" pof "ef nlt" pqf sb" busbw" st p" rlt" ef tdsj" ej" pof "ef nlt" phhf up" f "ef nlt" vj" qprphj" b" ef nlt" joul swf oup <

4\* rlt" rtdbrjw" f "rt" qspvjodj" b" joul sf t tbuf <

5\* rlt" ebu" f " rlt" qpsup" ef rlv" qspfhf up- "ef nlt" f wf owbrjt" vddf ttwj" "vbsjboj" f "ef nlt" sf rlvjw" " bqqspw" b" ej" poj <

6\* rft" qsf tubejpof- "hrt" pcj" f vjv" f "rft" dbsuf sjt vj" di f "uf dojdi f -" f dpopn jdi f "f" r vbrjvujw" qsf vjtuf "of m



6\*tj'df sujgdb'di f "jo'uf sn joi"ej"qsf t ubEjpoj-"pcjf uwjv" f "dbsbuf sjt udi f "uf dojdi f -"f dpopn jdi f "f r vbrjubv" "rnf"pqf sf "sf brjEebuf "sjt qf ubop"rnf"qsf vjt jpoj"qsf vjt uf "of rnsphf up" f "rnf"qbuvEjpoj dpousbuwbrj/

K'rdf sujgdbup" ej" dntavep" i b" dbsbuf sf " qspwjt psjp" f " bttvn f " dbsbuf sf " ef gojuv" epqp" 3" booj" ebnta" tvb f n jttjpoj / "Ef dpt p"ubrf"uf sn jof -"jrdntavep"tj"jof oef "bdjbn f ouf "bqqspwbu/

Gboop" f ddf Ejpof "j"tf hvf ouj"dbtj;

- evsbof "ra"vjtjub"ej"dntavep"tj"sjrnbop"ejgf uij"p"n bodboef "sjhvbsep"brnf tf dvEjpoj "ef j"ravpsj"di f "opo qsf hvejbop"ra"t ubcjrj"ef rnf"qf sb" f "ra"sf hprbsj"ef rnf" svEjpoj"dvj"rnf"ouf swf oup"à"t usv f oubrf". rnfshbop"ej"dntavep"ef uf sn job-"of rnf" n jttjpoj "ef rnf" sujgdbup-"ra"t pn n b"di f -"jo"dpot f hvf oeb"ef j sjt dpousbu"ejgf uij-"ef wf "ef usbstj"ebrndf ejup"ef rnf" tf dvupsf /
- Evsbof "ra"vjtjub"ej"dntavep"tj"sjrnbop"ejgf uij"p"n bodboef "sjhvbsep"brnf tf dvEjpoj "ef j"ravpsj"ej tdbstb" f ouj" f "sjqbsbcjrj"jo"csf wf "uf n qp". rnfshbop"ej"dntavep"qsf tdsjv" rnf"t qf djdi f "ravpsEjpoj"eb f tf hvjsf -"bttf hoboep"brnf tf dvupsf "vo"dpohsvp"uf sn jof "qf s"ra"rns"sf brjEebjpoj / "K'rdf sujgdbup"ej dntavep"opo"vjf of "sjrat djub"godì à"eb"bqqptjub"ejdi jbsEjpoj "ef rnejf upsf "ef j"ravpsj-"dpoç sn bub ebrnSVQ-"sjt vng"di f "rnf" tf dvupsf "bccjb"dpn qrfubn f ouf "f"sf hprbsn f ouf "f"tf hvjup"rnf"pqpsuv of ravpsEjpoj-"gf sn b"sf tboep"ra"gdpru"ef rnfshbop"ej"dntavep"ej"qspdf ef sf "ejf ubn f ouf "brn"sf rjubv wf sjgdb/
- Of rntpst p"ef rnf" jf oojp"tvddf ttjvp"brnf n jttjpoj "ef rnf" sujgdbup"ej"dntavep-"f n f shpop"vjEj"p"ejgf uij ef rnf"qf sb". "jrdSVQ"ef ovodjbr"vjEj"p"jrdjgf up" f -"tf ouj"jrdjgf upsf "ef j"ravpsj" f "rnfshbop"ej"dntavep-bddf sub-"jo"dpousbeejupsj" dpo"rnf" tf dvupsf -"tf"t pop"dbvtbj"eb"dbsf oef "of rnf"sf brjEebjpoj "ef rnf"qf sb/ Ko"ubrdt p"qspqof "brn"t ubEjpoj "bqqbrnbouf "ej"gsf "f"tf hvjsf "ebn"tf dvupsf -"p"jo"tvp"eboop-"j of dfttbsj"jof swf ouj"Evsof "jrdveef up"cjf oojp"rnf" tf dvupsf "à"uf ovup"brn"hsboEj"qf s"rnf"ejggsn j" f "j"vjEj"ef rnf"qf sb-"joejqf oef ouf n f ouf "ebn"jof swf ovub"jrdvjbEjpoj "ef rnf"brap/

Epqp" bwf s" f n fttp" jrdhf sujgdbup" ej" dntavep" qspwjt psjp-" rnfshbop" ej" dntavep-" qf s" usbn juf " ef rnfSVQ" rnsbnt f uf " brn"tf dvupsf " qf s" ra" tvb" bddf ubEjpoj -" jrdh vbrf" ef wf " b" tvb" wprn" tpuptdsjv sra" f oup" 31" hjpsoj/ Brn"ou" ef rnf" gsn b" rnf" tf dvupsf " qv" " gsn vrbas" f " hjvt yjgbsf " rnf" qspqsf " dpodmt jpoj" sjt qf up" brn"pqf sbEjpoj" ej dntavep-< dpousbjbn f ouf -"tf" o" tpuptdsjv " jrdhf sujgdbup" ej" dntavep" of rnf" sn jof "joejdbup-" p" rnf" tpuptdsjv tf oeb" gsn vrbas" pttf swEjpoj" p" sdi jf tuf -" jrdhf sujgdbup" tj" jof oef "ef gojuvbn f ouf " bddf ubup/

**2.19.2) CERTIFICATO DI REGOLARE ESECUZIONE**

rnf" sujgdbup" ej" dntavep" uf dojdp. bn n jojt usbu" qv" f ttf sf "tpt ujuv" ebrndf sujgdbup" ej" sf hprbsf "f"tf dvEjpoj tf ;

- ra"t ubEjpoj "bqqbrnbouf "tj"bwbrf"ej"ubrf"gdpru"qf s"ravpsj"ej"jn qpsup"<"2"n jrdpof "ej" f vsp<
- qf s"ravpsj"ej"jn qpsup" A "2"n jrdpof "ej" f vsp" f " = "brn"t phrjb"ej"sjrnbob" f vspqf b"ej" f vsp"6/493/111-"ej dvj"brn"ou" / "25" d/ "2" rnu" / "b" \*ef rnf"pejdf -"qv sdi à"opo"tj"usbu"ej"vob"ef rnf"tf hvf ouj" yjgprphj" ej"pqf sf "p jof swf ouj;
  - pqf sf "ej"ovpwb"sf brjEebjpoj "p" f tjt uf ouj-"drat jgdbcjrj"jo"drat f "e"vt p"KKK" f "KW"bj"t f otj"ef rnf vjhf ouj"opsn f "uf dojdi f "qf s"rnf"dpt usvEjpoj-"b" f ddf Ejpof "ef j"ravpsj"ej"n bovuf oEjpoj <
  - pqf sf "f"ravpsj"ej"obuwb"qsf wbrn"ouf n f ouf "t usvuwbrn"r vboep"r vf t y"tj"ejt dpt yop"ebn" vt vbrj" yjgprphj" "p" qf s"ra"rns"qbsjdprbs" dpn qrfnt j"t usvuwbrn" sdi jf ebop"qjò"bsjdprbu f dbrdprbEjpoj" f "wf sjgdi f <
  - ravpsj"ej"n jrdpsbn f oup" p" bef hvbn f oup" tjt n jdp<
  - pqf sf "ej"dvj"brn"Mcsp"KW"Qbsuf "KK"Ujup"KW"Qbsuf "KK"Qbsuf "KW" f "Qbsuf "VK"ef rnf"pejdf <
  - pqf sf "f"ravpsj"of j"r vbrj"jrdSVQ"t vprnf "bodi f "rnf" gvoEjpoj"ej"qspfhf ujt ub"p"ejf upsf "ef j"ravpsj/

K'rdf sujgdbup" ej" sf hprbsf "f"tf dvEjpoj "à" f n fttp" ebrnejf upsf "ef j"ravpsj" f oup" 4" n f tj" ebnta" eub" ej" vngj bEjpoj ef j"ravpsj" f "dpouj of "brn" f op" j"tf hvf ouj" f rnf" f ouj;

b\* f tuf n j"ef rnf"dpousbu" f "ef hjrf wf oubrj"bu" bhjv oujv<

c\* joejdbEjpoj "ef rnf" tf dvupsf <

d\* opn jobujv"ef rnejf upsf "ef j"ravpsj<

e\* uf n qp"qsf tdsjup"qf s"rnf" tf dvEjpoj "ef rnf"qsf t ubEjpoj" f "ebuf "ef rnf"bu"vjw"ej" f g" ujbv" f tf dvEjpoj

ef rnf"qsf t ubEjpoj<

f\* jn qpsup"ubrf-"pwwf sp"jn qpsup"b"tbrap"eb"qbhbsf "brn"tf dvupsf <

g\* df sujgdbEjpoj "ej"sf hprbsf "f"tf dvEjpoj /

B"tf hvjup" ef rnf" n jttjpoj -"vjf of "jn n fejbun f ouf "usbn fttp" brnSVQ" di f "of" qsf oef "bup" f "of" dpoç sn b" ra dpn qrfnuf Eeb/

**Art. 2.20**

**ONERI ED OBBLIGHI DIVERSI A CARICO DELL'APPALTATORE  
RESPONSABILITÀ DELL'APPALTATORE**

Tpop" b" dbsdj" ef n"oqqbrubpsf "-" hrijl pof sj" f " hrijl pccrjmi j" ej" dvj" brhe/n /" 2560311" Dbqjuprtup" Hf of sbrn e(Bqqbrubp-"brn"vjhf ouf "opns bujvb" f "brtqsf tf ouf "Dbqjuprtup" Taf djbrn" e(Bqqbrubp-"opodi è" b" r vboup" qsf vjt up" eb wuj" j" qjboj" qf s" rfn" n jtvsvf "ej" tjdvsf "E" gtjdb" ef j" rlvpsbupsj-"bhrijl pccrjmi j" jo" n buf sjb" bn cjb oubrn-"tpdjbrn" f " ef m rlvpsp" tbcjruj" ebna" opns bujvb" f vspqf b" f " obEjopobrfr-" ebn" dpousbu" j" dprnrujvj" p" ebna" ejt qpt jEjpoj" joul sobEjopobrj f rnodbf " of rlvpsp" hbu" Y" brn" ejsf ujb" 31250350V" ef rlvpsp" f oup" f vspqf p" f " ef rlvpsp" jhrj" ef rlvpsp" g ccsbjp 3125<jo" qbsjdprtsf "bodi f "hrijl pof sj" ej" tf hvjup" f rlvpsp;

- ra" opn job-" qsjn b" ef n"oqqbrubpsf" ef j" rlvpsj-" ef rlvpsp" Ejsf upsf " uf dojdp" ej" dbouj sf "-" di f " epvsl" f ttf sf qspg ttjopbrn f ouf "bcjruj" f e" jt dsjup" brn" rlvpsp" qspg ttjopbrn" f " epvsl" gsojsf "brn" Ejsf Ejpof " ef j" Mvpsj bqqptjub" ejdi jbsEjopof " ej" bddf ubEjopof " ef n"oqqbrubpsf" ef rlvpsp" upsf " uf dojdp" ej" dbouj sf <
- j" n pvjn f ouj" ej" uf sss" f e" phoj" brus" pof sf " sf rlvpsp" brn" gsn bEjopof " ef rlvpsp" f " jo" sf rlvpsp" brn" ouj" ef rlvpsp" sb-" dpo" wuj" j" qjò" n pef soj" f e" bwboEj" jn qjboj" qf s" bttjdvsbsf " vob" qf sf ub" f " sbqjeb f tf dvEjopof " ej" wuf " rlvpsp" qf sf " qsf tbcjruj" <
- ra" sf djoEjopof " ef rlvpsp" f " dpo" tprj" p" tuf ddbup" jo" n buf sbrn" jepof p-" tf dpoep" rlvpsp" qsf tdsEjopof" ef rlvpsp" ej Tjdvsf "E" pwr sp" ef rlvpsp" Ejsf Ejpof " ef j" Mvpsj-" opodi è" ra" qvrjeb" f " ra" n bovuf oEjopof " ef rlvpsp" f - rlvpsp" jbjbn f oup" pwr " qpttjcrj" f " ra" tjtuf n bEjopof " ef j" tvpj" qf scpst" jo" n pep" eb" sf oef sof " tjdvsj" rlvpsp" jup f " ra" djsdprtsf " ef j" vj dprj" f " ef rlvpsp" qf stpof <
- ra" tpsvf hrvpsp" tjb" ej" hpsop" di f " ej" opuf " ef rlvpsp" f " ej" wuj" j" n buf sbrn" jo" f ttp" f tjtuf ouj-" opodi è" ej wuj" j" cf oj" ej" qspqsf w" ef rlvpsp" tbcjruj" f " ef rlvpsp" qjboj" hpoj" dpotf hobuf "brn" Bqqbrubpsf /" Qf s" ra dvtupejb" ej" dbouj sj" brn" ouj" qf s" ra" sf brn" Ejpof " ej" paf sf " qvccrj" f "-" rlvpsp" epvsl" tf svjst" j" ej qf stpobrfr" beef up" " dpo" ra" r vbrjeb" ej" hvbsejb" hrvpsp" <
- ra" dpt usvEjopof " f oup" ra" sf djoEjopof " ef rlvpsp" f " of j" rlvpsp" j" di f " tbsboop" ef tjhobu" ebna" Ejsf Ejpof " ef j Mvpsj" ej" rlvpsp" be" vt p" vgdj" ef rlvpsp" stpobrfr" ef rlvpsp" Ejsf Ejpof " f e" bttjtuf oEj" tvgdj" ouf n f ouf " bssf ebuj- jrn jobu" f " sjt dbrubj-" dpn qsf tb" ra" sf rlvpsp" n bovuf oEjopof /" Ubrj" rlvpsp" epvpsp" f ttf sf " epubj" ej bef hvbuj" tf svjst" j" hif ojdj" dpo" sf rlvpsp" jn qjboj" ej" t dbsdj" g" oEjopobouj <
- ra" gsojw sb" f " n bovuf oEjopof " ej" dbrubj" rlvpsp" p-" ej" dbrubj" t" f hobrEjopof " opvwsob" of j" qvuj" qsf tdsjw f " ej" r vboup" brus" w" ojt" f " qbsjdprtsf n ouf " joejdbup" ebna" Ejsf Ejpof " ef j" Mvpsj" p" ebna" Dppsejobpsf " jo gtf " ej" f tf dvEjopof "-" brn" tdpq" ej" n jhrpsbsf " ra" tjdvsf "E" ef rlvpsp" f <
- jhrn bouf ojn f oup-" gop" brn" rlvpsp" ef rlvpsp" dpojovjw" ef hrijl dprj" ef rlvpsp" bdr vf " f " ef rlvpsp" jup" tvrn" vj" p tf ouj sj" qvccrj" p" qsjwuj" rlvpsp" rlvpsp" rlvpsp" qf sf " eb" f tf hvjsf <
- ra" gsojw sb" ej" bdr vb" qpubcjrj" qf s" rlvpsp" f <
- rlvpsp" svboEj" ef rlvpsp" opns f "-" rlvpsp" f " ef dsf u" vjhf ouj-" sf rlvpsp" brn" vbsj" bttjdvsEjopof" ef hrijl paf sbj" qf s qsf vjef oEj-" qsf w" oEjopof " jogswoj" f " bttjtuf oEj" tbojwsbj" di f " qpusboop" joul svf ojsf " jo" dpst p" ej" bqqbrubp <
- ra" dpn vojdbEjopof " brn" vgdj" eb" dvj" j" rlvpsp" ejqf oepop- " f oup" j" uf sn joj" qsf gttbu" ebna" tuf ttp- " ej" wuf " rlvpsp" opuj" f " sf rlvpsp" brn" qj" hp" ef rlvpsp" n bopepqf sb <
- rlvpsp" svboEj" ef rlvpsp" opns f " dpouf ovuf " of rlvpsp" vjhf ouj" ejt qpt jEjpoj" tvrn" qvrjeb" n jof sbsjb" ej" dvj" brhe/Q/S/ 23906: " f " t/n /j/ <
- rlvpsp" qf tf " qf s" ra" sf brn" Ejpof " ej" guphsbj" ef rlvpsp" paf sf " jo" dpst p" of j" vbsj" qf sjepej" ef rlvpsp" of rlvpsp" f sp joejdbup" ebna" Ejsf Ejpof " ef j" Mvpsj <
- rlvpsp" tjdvsEjopof " di f " dpqsb" j" ebooj" tvcj" ebna" tbcjruj" bqqbrubouj" b" dbvtb" ef rlvpsp" hrvpsp" f oup" p" ef rlvpsp" ejt usvEjopof " upbrn" p" qbsEjbrn" ej" jn qjboj" f e" paf sf "-" bodi f " qsf tjtuf ouj <
- jhrqhbhn f oup" ef rlvpsp" bttf " f " ej" brus" pof sj" qf s" dpodf ttjpoj" dpn vobrj" l" uprj" bcjruj" vj" qf s" ra" dpt usvEjopof - rlvpsp" dbrubj" f " uf n qpsob" b" ej" tvrj" qvccrj" p-" qbtj" dbrubj" f cd/\*" opodi è" jhrqhbhn f oup" ej" phoj" bttb qsf tf ouf " f " gwsb" jof sf ouf " j" n buf sbrn" f " f Ejsf (paf sb" eb" jn qj" hbstj-" pwr sp" brn" tuf ttf " paf sf " gojuf - f tdrvtj-" of j" Dpn voj" jo" dvj" f ttj" tpop" epwuj- " j" ejsuj" qf s" hrijl brn" ddbn f ouj" f " hrijl dbsdj" j <
- ra" qvrjeb" rlvpsp" vjebob" ef j" rlvpsp" jo" dpt usvEjopof " f " ef rlvpsp" vj" " ej" usbotjup" ef rlvpsp" f " dprhvf stpobrfr of dfttbsj-" dpn qsf tp" rlvpsp" thpn cf sp" ef j" n buf sbrn" rlvpsp" sjgvup" rlvpsp" djbu" ebna" f " ejuf <
- jhrjcf sp" bddf ttp" f e" jhrusbotjup" of rlvpsp" f " f " tvrn" paf sf " f tf hvjuf " pe" jo" dpst p" e" f tf dvEjopof "-" brn" qf stpof " beef uf " f e" b" rlvpsp" vbrvrf " brus" jn qsf tb" brn" rlvpsp" vbrn" tjbop" tbcjruj" bgejbu" rlvpsp" qf s" dpou" ejsf up ef rlvpsp" tbcjruj" f " bqqbrubouf <
- rlvpsp" hsbujup" qbsEjbrn" p" upbrn- " b" sdi jf tbcjruj" ef rlvpsp" Ejsf Ejpof " ef j" Mvpsj-" eb" qbsf " ej" ef uf " jn qsf tf " p qf stpof "-" ef j" qpouj" ej" tf svjst" j" n qbrubpsf "-" dpt usvEjopof" qspwjt psj" f e" bqqbsf ddi j" ej" tprn" wbn f oup- qf s" wuj" rlvpsp" n qp" pddpsf ouf " brn" t" dvEjopof " ef j" rlvpsp <
- jhrjdf vjn f oup-" rlvpsp" t dbsdj" f e" jhrusbotjup" jo" dbouj sf " f " of j" rlvpsp" j" ej" ef qptjup" p" b" qjà" e" (paf sb-" b" tvb" dvsb f " tqf tf "-" tf dpoep" rlvpsp" ejt qpt jEjpoj" ef rlvpsp" Ejsf Ejpof " ef j" Mvpsj" opodi è" brn" cvpob" dpotf swbEjopof " f e" brn" qf sf ub" dvtupejb-" ef j" n buf sbrn" f " ef j" n bovuf u" f tdrvtj" ebna" qsf tf ouf " bqqbrubp" f " qspwjt u" pe" f tf hvjuf" eb brus" f " ejuf " qf s" dpou" ef rlvpsp" tbcjruj" f " K" ebooj" di f " qf s" dbvtf " ejqf oef ouj" p" qf s" tvb" of hrijl f oEj gttf sp" bqqpsbu" b" brn" n buf sbrn" f " n bovuf u" epvpsp" f ttf sf " sjqbsuj" b" dbsdj" f tdrvtjup

- ef m(b)qqbrnbupsf <
- ra" qsf ejt qpt j(€)pof -" qsjn b" ef m(€)j(€)p" ef j" r(€)wpsj- ef r(€)h(€)j(€)bop" ef r(€)n" n jtvsf " qf s' ra" tjdvsf €€b" gtjdb" ef j r(€)wpsbupsj"ej"dvj"br(€)nsy"22: "d/"22"ef r(€)e/r(€)nt/"4703134<
- r(€)p(€)j(€)pof -"of r(€)n"tf dv(€)pof "ej"uwuj"j"r(€)wpsj-"ef j"qspdf ejn f ouj"ef ef r(€)n"dbvuf r(€)n"of df ttbsjf "qf s"hsbouysf "ra" tbrmf "f"ra"tjdvsf €€b"ef j"r(€)wpsbupsj" f "ef j"uf s(€)j-"opodi è" qf s'f vjbsf "eboo"bj"cf oj"qvccr(€)j" f "qsjwbj- pttf svboep" r(€)n" ejt qpt j(€)poj" dpouf ovuf "of r(€)e/r(€)nt/": "bqsjr(€)n"3119-"o/"92" f "t/n /j/" f "ej"uwuf "r(€)n"opsn f "jo vjhsf "jo"n buf s(€)j"ej"tjdvsf €€b<
- jr(€)dpotf otp"br(€)vtp"bouj(€)qbup"ef r(€)n"pqf sf "r vbrpsb"wf ojt(€)tf "s(€)j" jf t(€)p"ebn(€)Ejsf (€)pof "ef j"m(€)wpsj-"tf o(€)b di f "r(€)qqbrnbupsf "bccjb"qf s(€)j" "ejsjup"b"tqf djbr(€)dpn qf otj/"Fh(€)j"qpus(€)qf s(€)j" -"s(€)j" jf ef sf "di f "tjb"sf ebup bqaptjup"vf s(€)br(€)n" djs(€)b"r(€)n"t ubup"ef r(€)n"pqf sf -"qf s'f ttf sf "hsboujup"ebj"qpttj(€)j"eboo"di f "qpusf ccf sp ef sjwbsf "ebn(€)vtp<
- ra" g(€)soj(€)wsb" f "qptb"jo"pqf sb"of r(€)dbouj(€)sf -"b"tvb"dv(€)sb" f "tqf tf -"ef r(€)n"bqaptjuf "bcf r(€)n"joejdbujw" ef j r(€)wpsj-"bodi f "bj"tf otj"ej"r vbouj"qsf wjtup"ebn(€)nsy"22: "d/"24"ef r(€)e/r(€)nt/"4703134<
- ra"usbt(€)n jttj(€)pof "br(€)n"tub(€)j(€)pof "bq(€)qbrnbouf -"b"tvb"dv(€)sb" f "tqf tf -"ef h(€)j(€)f w(€) ou(€)br(€)j"dpousbu"ej"tvcbq(€)qbrn(€)p di f "epwf ttf "t(€)j(€)vbr(€)sf -"br(€)n" f op" 31" h(€)j(€)soj" qsjn b" ef r(€)n"ebub" ej" f g(€)f u(€)jw" jo(€)j(€)p" ef r(€)n"tf dv(€)pof "ef r(€)n" sf r(€)ujw" qsf t(€)ub(€)j(€)poj-"bj"tf otj"ef r(€)nsy"22: "d/"6"ef r(€)e/r(€)nt/"4703134/"M"ejt qpt j(€)pof "tj"bq(€)q(€)j(€)db"bodi f "bj op(€)r(€)b"db(€)r(€)p" f e"bj"dpousbu"tjn jr(€)bsj<
- ra" ejt dj(€)q(€)rob" f "jr(€)hcv(€)po" p(€)s(€)j(€)of "ef j"dbouj(€)sj/"M(b)qqbrnbupsf "à" sf tq(€)potbcj(€)r(€)n" ef r(€)n" ejt dj(€)q(€)rob" f "ef r(€)hcv(€)po p(€)s(€)j(€)of "of r(€)dbouj(€)sf "f"i b"r(€)pccr(€)j(€)p"ej"pttf svbsf "f"q(€)s"pttf svbsf "br(€)t(€)spq(€)sj"qf st(€)pobr(€)n"r(€)n"opsn f "ej"r(€)h(€)hf f "ej"sf h(€)r(€)bn f oup/"M(b)qqbrnbupsf -"usb(€)n juf "jr(€)t(€)jsf upsf "ej"dbouj(€)sf -"bttj(€)dv(€)sb"r(€)psh(€)boj(€)€€b(€)j(€)pof -"ra"hf t(€)j(€)pof uf doj(€)db" f "ra" dp(€)ev(€)j(€)pof "ef r(€)dbouj(€)sf /" M" ejsf (€)pof "ef r(€)dbouj(€)sf "à" bttv(€)oub" ebr(€)t(€)jsf upsf "uf doj(€)dp ef r(€)n" qsf tb"p"eb"br(€)usp"uf doj(€)dp"gsn br(€)n" f ouf "jod(€)bsj(€)bup"ebn(€)qqbrnbupsf /"Ko"dbt(€)p"ej"bq(€)qbrn(€)p"bg(€)j(€)ebup"be btt(€)p(€)j(€)b(€)j(€)pof "uf n qps(€)bof b"ej"jn qsf tf "p"b"dpot(€)ps(€)j(€)p-"r(€)jod(€)bsj(€)p"ef r(€)n"ejsf (€)pof "ej"dbouj(€)sf "à"busj(€)cvjup n f ej(€)bof "ef r(€)h(€)b" dpog(€)sjb" eb" uwuf "r(€)n"jn qsf tf "pqf sbouj" of r(€)dbouj(€)sf < ra" ef r(€)h(€)b" ef w" joej(€)db(€)sf tqf dj(€)g(€)dbn f ouf "r(€)n"busj(€)cvj(€)poj"eb"tf s(€)j(€)bsf "ebr(€)t(€)jsf upsf "bodi f "jo"sb(€)q(€)psup"b"r"vf r(€)n"ef h(€)j(€)l(€)br(€)s(€)j"t(€)ph(€)hf u(€)j pqf sbouj" of r(€)dbouj(€)sf /" M" Ejsf (€)pof "ef j" m(€)wpsj" i b" jr(€)h ejsjup-" qsf vj(€)b" n p(€)j(€)wb" dpn voj(€)db(€)j(€)pof br(€)qqbrnbupsf -"ej" f t(€)j(€)hf sf "jr(€)h(€)bn cjb(€)n f oup"ef r(€)t(€)jsf upsf "ej"dbouj(€)sf "f"ef r(€)qf st(€)pobr(€)n"qf s"joej(€)t(€)dj(€)q(€)rob- jod(€)bq(€)bdj(€)p"hsbw" of h(€)j(€)hf o(€)b/"M(b)qqbrnbupsf "à"dpn vor vf "sf tq(€)potbcj(€)r(€)n"ef j"eboo"dbvt(€)by"ebn(€)n"qf s(€)j(€)b p"ebn(€)n"of h(€)j(€)hf o(€)b"ej"ef u(€)j"t(€)ph(€)hf u(€)j" f "sjt(€)p(€)oef "of j"dpog(€)spouj"ef r(€)n" n jojt(€)usb(€)j(€)pof "dpn n juf ouf "qf s'ra" n br(€)g ef "p"ra"gs(€)p ef j"n f ef tjn j"of r(€)n" qj(€)f hp"ef j"n buf s(€)j(€)r(€)j

K(€)h(€)dpssj(€)qf u(€)jw" qf s" uwuf" h(€)j(€)l pccr(€)j(€)hi j" f e" pof s(€)j" t(€)p(€)qs" tqf dj(€)g(€)dbj" à" dpohr(€)p(€)cbup" of j" qsf €€" ef j" r(€)wpsj" f of r(€)n" w(€) ou(€)br(€)n"dpn qf otp"ej"dvj"br(€)nsy"22: "Bn n p(€)ubsf "ef r(€)qqbrnbup"ef r(€)qsf tf ouf "Db(€)qj(€)r(€)bup"Ef up" f w(€) ou(€)br(€)n" dpn qf otp" à" gtt(€)p" f e" jow(€)bsj(€)bcj(€)r(€)n" f ttf oep" t(€)ph(€)hf up" t(€)p(€)nbou" br(€)n" s(€)j(€)v(€)j(€)pof " sf r(€)ujwb" br(€)p(€)g(€)f sup" sjcbtt(€)p dpousbuw(€)br(€)n/

M(b)qqbrnbupsf "tj" pccr(€)j(€)hb" b" h(€)sbouysf "jr(€)hsu(€)b(€)n f oup" ef j" ebu" bdr vjt(€)j" jo" n f sjup" br(€)n" pqf sf "bq(€)qbrnbu" -"jo dpog(€)sn j(€)w"b"r" vbouj"qsf wjtup"ebr(€)t(€)sf h(€)r(€)bn f oup"/VF\*3127078: "ef r(€)Q(€)sr(€)n f oup" f vspqf p" f "ef r(€)D(€)potj(€)h(€)j(€)p"ef r(€)88 bqsjr(€)n"3127"€FHP MBNFOUP "HFOFSBMF"TVMMB"QSP UF[ KP OF"EFK"EBUK" f "ebr(€)e/r(€)nt/"41" h(€)j(€)hop"3114-"o/"2: 7 €D(€)pej(€)d" jo"n buf s(€)j"ej"qsp(€)f (€)pof "ef j"ebu"qf st(€)pobr(€)n" f "t/n /j/

**Art. 2.21  
CARTELLI ALL'ESTERNO DEL CANTIERE**

M(b)qqbrnbupsf "i b"r(€)pccr(€)j(€)p"ej"q(€)ps(€)jsf "jo"pqf sb"b"tvb"dv(€)sb" f "tqf tf "f"ej" f tq(€)pssf "br(€)n"t uf sop"ef r(€)dbouj(€)sf -"dpn f ejt q(€)pof "ra" Djs(€)p(€)r(€)bsf "Njo/"M/QQ"2" h(€)j(€)hop"2: : 1-o/"283: 0/M"evf "dbsf r(€)j(€)ej"ejn f otj(€)poj"opo"jog(€)sjsj"b"n /"2-11 )r(€)hs(€)i f €€b"qf s'n /"3-11")br(€)f €€b"jo"dvj"ef w(€)pof ttf sf "joej(€)dbuj"ra"tub(€)j(€)pof "bq(€)qbrnbou" -"r(€)p(€)h(€)hf up"ef j"r(€)wpsj-"j opn job(€)ujw"ef r(€)n" qsf tb-"ef r(€)Q(€)sphf ujt(€)ub-"ef r(€)n"Ejsf (€)pof "ef j"m(€)wpsj" f "ef r(€)n"t(€)t(€)j(€)f ouf "bj"r(€)wpsj-"jo"ef u(€)j"db(€)sf r(€)n"bj tf otj" eb(€)nsy" 22: " d/" 24" ef r(€)e/r(€)nt/" 4703134-" tpop" joej(€)dbuj-" br(€)nsf t(€)j" opn job(€)ujw" ej" uwuf " r(€)n" jn qsf tf tvcbq(€)qbrnb(€)usj(€)podi è"uwuj"j"ebu"sj(€)di jf t(€)j"ebn(€)n"vj(€)hf ouj"opsn bujw"ob(€)j(€)pobr(€)j(€)f "r(€)p(€)br(€)j

**Art. 2.22  
PROPRIETÀ DEI MATERIALI DI ESCAVAZIONE E DI DEMOLIZIONE**

Ko" buw(€)b(€)j(€)pof "ef r(€)nsy" 47" ef r(€)Db(€)qj(€)r(€)bup" hf of s(€)br(€)n" e(b)q(€)qbrn(€)p e/n /" 25603111-"j" n buf s(€)j(€)r(€)j" qspw(€) o(€)j(€)f ouj" eb f t(€)dbw(€)b(€)j(€)poj"p"ef n p(€)r(€)j(€)poj"t(€)pop"ej"qspqsjf w"ef r(€)n"tub(€)j(€)pof "bq(€)qbrnbouf / M(b)qqbrnbupsf "ef w" usbt(€)qps(€)bsj(€)r(€)j" f "sf h(€)r(€)bsn f ouf "b(€)db(€)ub(€)t(€)bsj(€)r(€)j"of r(€)t(€)jup"ej"t up(€)db(€)h(€)j(€)p"joej(€)dbup"ebn(€)n"tub(€)j(€)pof bq(€)qbrnbouf "j(€)ouf oef oep(€)t"ej"dj" "dpn qf ot(€)bup"dpj"qsf €€"ef h(€)j(€)t(€)dbw"j" f "ef r(€)n"ef n p(€)r(€)j(€)poj"sf r(€)ujw / Rvbrpsb" ef u(€)j" n buf s(€)j(€)r(€)j"tj(€)bop" df ev(€)j"br(€)qqbrnbupsf -"jr(€)h(€)qsf €€"be" f t(€)tj" dpow(€)f o(€)j(€)pobr(€)n" f ouf "busj(€)cvjup"ef w(€) f ttf sf " ef epup" eb(€)n"qpsup" of up" ef j" r(€)wpsj-" tbr(€)p" di f "ra" ef ev(€)j(€)pof "opo" tjb" tub" h(€)j(€)u" g(€)ub" of r(€)n" ef uf sn job(€)j(€)pof "ef j"qsf €€"ej"dpousbu(€)p/

**Art. 2.23**

## RINVENIMENTI

Of rtdbt p"ra"vf sjgdb"qsf wf oujwb"ej"jouf sf ttf "bsdi f prphjdp-"ej"dvj"brn"onrhbup"K/9"ef rte/rnt/"4703134-"sjt vndttf of hbywb-"brhtvddf ttjwp" f wf ouvbrn" sjowf ojn f oup" ej" wuj" hrj phhf uj" ej" qsf hjp" jousjotf dp" f e" bsdi f prphjdp f tjtuf ouj" of rfn" ef n prjpoj-"of hrjtdwbj" f "dnp vor vf "of rna"Epob"ef j" rlvpsj-"tj"bqqrbub" r"bsy"46"ef rtdbqjuprbup hf of sbrn"e(bqqbrup)"e/n /"25603111" \*<f ttjt"qf ubop"ej"qjf op"ejjsup"brn"tubepof "bqqrbubouf -"tbrmp"r vboup"tv"ej f ttj"qpttb" dnp qf uf sf "brn" Tubup/"M(bqqrbubupsf "epwsl" ebsf "jn n f ejbup"bwjtp"ef j" rpsp"sjowf ojn f oup-"r vjoej ef qptjbsrj of hrj"vgdj" ef rna" Ejsf Epof "ef j" Mlvpsj-"pwwf sp" of rhtjup" eb" r vf tuj" joejdbup-" di f " sf ejhf " sf hprbsf wf sbrn"jo"qspqptjup"eb"usbt n f uf sf "brn" dnp qf uf ouj"bvupsjU/

M(bqqrbubupsf "i b" ejsjup" brhsjn cpstp" ef rfn" tqf tf "tptuf ovuf " qf s" ra" rpsp" dpotf swbEpof " f " qf s" rfn" tqf djbrn pqf sbEpof" di f "t pop"tubuf "f tqsf ttbn f ouf "psejobuf "brtjof "ej"bttdvsbsof "r"ouf hsjU" f e"jrtjrhf ouf "sf dvqf sp/

M(bqqrbubupsf "opo" qv1 " ef n prjsf " p" dnp vor vf "brf sbsf "j" sf qf sj-" oè" qv1 " sjn vpwf srj"tf oEb"bvupsjEpof ef rna"tubepof "bqqrbubouf /

Qf s'r vboup"ef up-"qf si -"opo"tbsboop"qsf hvejdbuj"ejjsuj"tqf ubouj"qf s'rhhf "bhj"lvupsj"ef rna"tdpqf sub/

### Art. 2.24

## BREVETTI DI INVENZIONE

K' sf r vjtjy" uf dojdj" f " gvoEpobrij" ef j" rlvpsj" eb" f tf hvjsf " qpttpop" sjg sstj" bodi f " brn" tqf djgdp" qspdf ttp" ej qspevEpof "p"ej" f tf dvEpof "ef j" rlvpsj-" b"dpoejEpof "di f "tjbop" dprnhbj"brn"phhf up"ef rtdpousbup" f "dnp n jtvsubj brhwrpsf " f "bhj"pcj uf ujj"ef rna"tuf ttp/"B" n f op"di f "opo"tjbop" hvtujgdbuj" eb"rphhf up"ef rtdpousbup-"j"sf r vjtjy uf dojdj" f " gvoEpobrij" opo" dpoop" sjg sjn f oup" b" vob" dcccjdbEpof " p" qspwf oj f oEb" ef uf sn jobub" p" b" vo qspdf ejn f oup" qbsjdrbsf " ef j" qspeuj" p" ef j" tf swj" gsojy" eb" vo" ef uf sn jobup" pqf sbupsf " f dpopn jdp-" oè" b n bsdi j-"csf wf uj-"ujj"p"b"vob"qspevEpof "tqf djgdb" di f "bvswf ccf sp" dnp f "f gf up"r vf rna"ej" dlvpsjsf "p" f rjn jobsf ubwof "jn qsf tf " p" ubwoj" qspeuj/" Ubrn" sjg sjn f oup" à" bvupsjEpup-" jo" vjb" f ddf Epobrn" of rtdbt p" jo" dvj" vob ef tdsjEpof " tvgdj" ouf n f ouf " qsf djt b" f " jouf rnhjcrj" ef rphhf up" ef rtdpousbup" opo" à" qpttjcrj;" vo" tjgdup sjg sjn f oup"tbsl" bddpn qbhubup" eb"rtqsf ttjopof "o" p" f r vjvbrnouf 1/4

Of rtdbt p" ra" tubepof " bqqrbubouf " qsf tdsjwb" rjn qjf hp" ej" ejtqptjEpof" p" tjtuf n j" qspuf uj" eb" csf wf uj e(jowf oEpof -"pwwf sp" r(bqqrbubupsf "vj" sjdpsb"ej" qspqsb" j"ojEjbuwb" dpo" jrtdpotf ot p" ef rna" Ejsf Epof " ef j" Mlvpsj- r(bqqrbubupsf " ef wf " ejn ptusbsf " ej" bwf s" qbhubup" j" epwuj" dbopoj" f " ejsjuy" f " ej" bwf s" bef n qjvup" b" wuj" j" sf rlvujy pccrjmi j"ej"rhhf /

### Art. 2.25

## GESTIONE DELLE CONTESTAZIONI E RISERVE

Mf tf dvpsf -" à" tf n qsf " uf ovup" be" vojgpn bstj" brn" ejtqptjEpof" ef rhesf upsf " ef j" rlvpsj-" tf oEb" qpuf s tptqf oef sf " p" sjbsebsf " jrtf hprbsf " tvjwqap" ef j" rlvpsj-" r vbrn" di f "tjb" ra" dpouf tubepof " p" ra" sjt f swb" di f " f hrj jt dsjwb" of hrj"bu" dpoubcjryj

M" sjt f swf "t pop" jt dsjuf " b" qf ob" ej" ef dbef oEb" tvrhqsn p" bup" ef rna"qbrup" jepof p" b" sjdf wf srfn-" tvddf ttjwp brn"ot pshf oEb" p" brn" df ttbEpof " ef rtdpou" di f "i b" ef uf sn jobup" jrtqsf hvejEj" ef rna" tf dvpsf /" Ko" phoj" dbtp- tf n qsf " b" qf ob" ej" ef dbef oEb-" rfn" sjt f swf "t pop" jt dsjuf " bodi f " of rtsf hjt usp" ej" dpoubcjryj" brn" up" ef rna" gsn b jn n f ejbubn f ouf " tvddf ttjwb" brhvf sjgdbstj" p" brhdf ttbsf " ef rtdpou" qsf hvejEj" vprn-" opodi è" ef rna" tpupt dsjEpof ef rtdf sjgdbup" ej" dprnvep" n f ejbouf " qsf djt b" f tqrdj bEpof " ef rna" dpouf tubepoj" djsdb" rfn" sf rlvujw" pqf sbEpof/" Km sf hjt usp" ej" dpoubcjryj" à" t pupqpt up" brn" tf dvpsf " qf s" ra" tvb" t pup dsjEpof " jo" pddbtjopof " ej" phoj" TBM/

M" sjt f swf "t pop" gsn vrbu" " jo" n pep" tqf djgdp" f e" joejdbop" dpo" qsf djtjopof " rfn" sbhjpoj" tvrnn" r vbrj" f ttf " tj goeobop/" Ko" qbsjdrbsf -" rfn" sjt f swf " dpouf ohpop" b" qf ob" ej" jobn n jtjcjryjU;

- ra" qsf djt b" r vboujgdbEpof <sup>1</sup>" ef rna" t pn n f " di f " rna" tf dvpsf " sjuf of " hrj"tjbop" epwuf <
- rjoejdbEpof " ef hrj"psejoj" ej" tf swjEj- " f n bobuj" ebrtjjsf upsf " ef j" rlvpsj-" di f "bccj bop" jodjtp" tvrnn n pebrjU" ej" f tf dvEpof " ef rna"qbrup <
- rfn" dpouf tubepoj" sf rlvujw " brn" tubuf Eeb" uf dojdb" ef rna" n pebrjU" dpt usvujw " qsf vjt uf " ebrt"dbqjuprbup tqf djbrn" e" bqqbrup" p" ebrtqshf up" f tf dvujwp <
- rfn" dpouf tubepoj" sf rlvujw " brn" ejggn jU" sjt qf up" brtdpousbup" ef rna" ejtqptjEpof" f " ef rna" jt usvEjpoj sf rlvujw " bhj"bt qf uj" uf dojdj" f e" f dpopn jdj" ef rna" hf tujopof " ef rna"qbrup <
- rfn" dpouf tubepoj" sf rlvujw " brn" ejtqptjEpof" f " jt usvEjpoj" ef rhesf upsf " ef j" rlvpsj" di f " qpusf ccf sp dnp qpsbsf " ra" sf tqpotbcjryjU" ef rna"qbrubupsf " p" di f " qpusf ccf sp" ef uf sn jobsf " vjEj" p" ejggn jU f tf dvujw " ef rna"qbrup/

Mf tf dvpsf -" brn" up" ef rna" gsn b" ef rtdpou" gobrn-" eb" bqqpsf " f oup" jrtuf sn jof " ej" 41" hjpsoj" eb" rjowjup" ef r"SVQ b" qsf oef sof " dphoEjEpof -" opo" qv1 " jt dsjuf sf " epn boef " ejw stf " qf s" phhf up" p" qf s" jn qpsup" eb" r vf rna" gsn vrbu" of rtsf hjt usp" ej" dpoubcjryjU" evsbouf " rna" t vprhjn f oup" ef j" rlvpsj-" f "i b" rna" of sf -" b" qf ob" ej" ef dbef oEb-" ej" dpog sn bsf rfn" sjt f swf " hjU" jt dsjuf " t jop" b" r vf rna" pn f oup" of hrj"bu" dpoubcjryjU" qf s' rfn" r vbrj" lopo" tjbop" jouf swf ovuf " qspdf evsf " ej dbsbuf sf " dpodjryjup/

Tf " rna" tf dvpsf " opo" gsn b" jrtdpou" gobrn" of rthf sn jof " ej" 41" hjpsoj" )bsy" 8-" d/" 5-" brn" hup" K/25-" ef rte/rnt/ qbh/" 49

4703134\*\*p"tf"rptuptdsjw"tf oeb"dpog sn bsf "rfrn"epn boef "hju"gsn vrbu"of rtsf hjt usp"ej"dpoubcjrju"jrtdpoup  
gobrfht"j"jof oef "dnp f "ef gojywb n f ouf "bddf ubup/

M"sjtf swf "opo"ft qsf ttbn f ouf "dpog sn buf "tvrtdpoup" gobrfht"j"jof oepop"sjovodjbu /

Of rtdbtp"jo"dvj"rftf dvupsf-"opo"gsn j"rthsf hjt usp-"à"jowjubu"b"gsn"p" f oups"jrtf sn jof "qf sf oupsjp"ej"26"hjpsoj" f -  
r vbrpsb"qf stj lb"of rntof otj pof "p"of rtsjgvu-"tf"of "g" f t qsf ttbn f oEj pof "of rtsf hjt usp/

Tf "rftf dvupsf-"i b"gsn bu"p" dpo"sjtf swb-"r vbrpsb" rftt qrtjbej pof "f" r" r vbojgdb"ej pof "opo"tjbop" qpttjcjrj"bm  
n pn f oup"ef rnt"gsn vrb"ej pof "ef rnt"tuf ttb-"f hjrtf qrtjbe"b"qf ob"ej"ef dbef oeb-"of rthf sn jof "ej"26"hjpsoj-"rnt"vf  
sjtf swf-"tdsjw oep" f "gsn boep"of rtsf hjt usp"rnt"dpssjtqpoef ouj"epn boef "ej"joef oojw" f "joejdb"ep" dpo"qsf djtj pof  
rnt"djgsf "ej" dnp qf ot p"dvj"dsf ef "bw" s"ej sjup-"f "rnt"sbhjpoj"ej"djbt dvob"epn boeb/

Krtejsf upsf "ef j"rtwpsj"of j"tvddf ttjw"26"hjpsoj" f t qpof "of rtsf hjt usp"rnt"tvf "n puwbu"ef ev"ejpoj"/Tf "jrtesf upsf  
ef j"rtwpsj" pn f uf "ej" n puwbsf "jo" n pep" f t bvsj"ouf "rnt" qspqsf "ef ev"ejpoj" f "opo" dpotf ouf "brnt" tub"ej pof  
baqbntouf "ej" sjdf wf sf "rnt" sbhjpoj" ptubjw" brh sjdpopt djn f oup" ef rnt" qsf uf tf "ef rnt" f dvupsf-" jodpsf " jo  
sf t qpotbcjrju" qf s" rnt" tpn n f "di f-" qf s" urnt" of hjrtf oeb-" rnt" tub"ej pof "baqbntouf" epwf ttf " f ttf sf " uf ovub" b  
tcpstbsf /

Of rtdbtp"jo"dvj"rftf dvupsf "opo"i b"gsn bu"p"rthsf hjt usp"of rthf sn jof "ej"dvj"tpqsb-"pqqvsf "rnt"i b"duup-"n b"rnt  
sjtf swf "opo" tpop" tubu" jt dsjuf " tf dpoep" rnt" n pebrju" tpqsb" joejdbu"-" j" ebu" sf hjt usbu" tj" jof oepop  
ef gojywb n f ouf "bddf subu" f "rftf dvupsf "ef dbef "ebrtejsjup"ej"gs" vbrfsf "rnt"tvf "sjtf swf "p"rnt"epn boef "di f "be  
f ttf "tj"sjg sjt dpop/

**Accordo bonario**

Rvbrpsb" jo"tf hvjup"brnt"dsj"ej pof "ej" sjtf swf "tvj" epdvn f ouj" dpoubcjrj" **l'importo economico dell'opera  
possa variare tra il 5 ed il 15% dell'importo contrattuale** tj"qv" qspdf ef sf "be"vo"bddpsep"cpobsjp"2\*/

Krthqspdf ejn f oup"ef rnt"bddpsep"cpobsjp"qv" f ttf sf "sf juf sbu" r vboep"rnt" sjtf swf "jt dsjuf-"vrtf sjpsj" f "ejw" stf  
sjtqf up"b"r vf rnt"rthj" f tbn jobu"-"sbhhjvohpop"ovpwb n f ouf "rnt" qpsup"ej"dvj"brtqf sjep"qsf df ef ouf-"of rnt"on cjup  
dnp vor vf "ej"vo"rthj juf "n bttjn p" dnp qrtttjw"ef rnt"26&"ef rnt" qpsup"ef rnt"dpousbu/

M"epn boef "di f "dooop" vbrfsf "qsf uf tf "hju" phhf up"ej" sjtf swb"opo"tpop"qspqpt uf "qf s"jn qpsj"n bhjpsj  
sjtqf up"b"r vf rnt"rthj vbojgdbu"of rnt"sjtf swf "tuf ttf /"Opo"t pop"phhf up"ej"sjtf swb"rthjbt qf u"j"qspfh uwbrjtdi f "tjbop  
tubu"phhf up"ej"wf sjgdb"bj"tf otj"ef rnt"su"53-"ef rnt"pejdf"4\*/

Qsjn b"ef rnt"qspwbej pof "ef rnt" sjgdbu"ej" dnt"v"ep"pwf sp"ef rnt" sjgdbu"ej"sf hprtsf "f tf dv"ej pof "-"r vbrmor vf  
tjb" rnt" qpsup" ef rnt" sjtf swf-" jrt SVQ" bujwb" rnt"bddpsep" cpobsjp" qf s" rnt" sjt p"ej pof "ef rnt" sjtf swf " f " vbrmb  
rnt" n jttcjrju" f "rnt"opo"n bojg tub"jogoebu" eeb"ef rnt"sjtf swf "bj"goj"ef rnt"gf u"jw"sbhhjvohjn f oup"ef rnt"rthj juf "ej  
vbrpsf "26&"ef rnt"dpousbu/

Krtejsf upsf "ef j"rtwpsj"e"j"n n f ejbu" dnp vojdb"ej pof "brt SVQ"ef rnt"sjtf swf-"lsbt n f uf oep"of rnt"j"csf wf "f n qp  
qpttjcjrj"vob"qspqsb"sf rnt"ej pof "sjtf swbu/

Krth SVQ" vbrmb" rnt" n jttcjrju" f " rnt" opo" n bojg tub" jogoebu" eeb" ef rnt" sjtf swf " bj" goj" ef rnt"gf u"jw  
sbhhjvohjn f oup"ef rnt"rthj juf "ef rnt" qpsup"tpqsb"sjqpsbu/

Fousp"26"hjpsoj"ebrnt"ebub"ej" dnp vojdb"ej pof "jrt SVQ"qv" "sdi jf ef sf "brnt"Dbn f sb"bsc jusbri"rnt"joejdb"ej pof "ej"vob  
rnt"ub"ej"6" f t qf su"bw ouj" dnp qf uf oeb"t qf djgdb"jo" sf rnt"ej pof "brnt"phhf up"ef rnt"dpousbu"epqp"bw s" bdr vjtjup" rnt  
sf rnt"ej pof "sjtf swbu"ef rnt"esf upsf "ef j"rtwpsj" f-"pw" dpt u"jw"up"ef rnt"shbop"ej" dnt"v"ep"/Krt SVQ" f "jrt phhf up"di f "i b  
gsn vrbu" rnt" sjtf swf " tdf rnt"pop" e"jof t b" rnt"t qf sup" jodbsjdbu" ef rnt" gsn vrbu"ej pof "ef rnt" qspqpt ub" n puwbu" ej  
bddpsep"cpobsjp-"tdf hjrt oep"of rnt"on cjup"ef rnt"rnt"ub"/Ko"dbtp"ej"n bodbu"jof t b"ub"jrt SVQ" f "jrt phhf up"di f "i b  
gsn vrbu" rnt"sjtf swf "f oups"26"hjpsoj"ebrnt"lsbt n jttj pof "ef rnt"rnt"ub" rnt"t qf sup"à"opn jobu"ebrnt"Dbn f sb"bsc jusbri  
di f "of "gitt b"odi f "jrt dnp qf ot p-"qsf oef oep" dnp f "sjg sjn f oup"j"rthj juf "tbcjrju"ebrnt"rnt"ub"ub" W2". "Dnp qf otj"ef hjrt  
bsc juj". "ef rnt"pejdf /"Mb" qspqpt ub"à" gsn vrbu"ebrnt"t qf sup" f oups": 1"hjpsoj"ebrnt"opn jobu"/Rvbrpsb"jrt SVQ"opo  
sdi jf eb" rnt"opn jobu" ef rnt"t qf sup-" rnt" qspqpt ub"à" gsn vrbu" eb" r vftu"vrtj p" f oups": 1"hjpsoj"ebrnt"ebub"ej  
dnp vojdb"ej pof /

Mf t qf sup-"r vbrpsb"opn jobu-"pwf sp"jrt SVQ;

- wf sjgdb"rnt"sjtf swf "jo"dpousbeejupsj" dpo"jrt phhf up"di f "rnt"i b"gsn vrbu" <
- f gf uw"b" f wf ouvbrjlvrtf sjpsj"bvej"ej poj<
- jt usvjt df "rnt"r vf t jupof "dpo"rnt"sbddpnt"ej"ebu" f "joggsn bejpoj" f "dpo"rnt"dr vjt"ej pof "ej" f wf ouvbrjlvrtf  
qbsf sj<
- gsn vrbu"wf sjgdbu"rnt"ejt qpojcjrju"ej"jepof f "sjt pstf "f dpopn jdi f-"vob"qspqpt ub"ej"bddpsep  
cpobsjp-"di f "à"lsbt n f ttb"brtejsjhf ouf "dnp qf uf ouf "ef rnt"tub"ej pof "baqbntouf" f "brnt"phhf up"di f  
i b"gsn vrbu" rnt"sjtf swf /

Tf "rnt"qspqpt ub"à"bddf ubu"ebrnt"qbsu" f oups"56"hjpsoj"ebrnt"v"p"sjdf vjn f oup-"rnt"bddpsep"cpobsjp"à"dpodvnt p" f  
vjf of "sf ebu"p"wf scbrnt"tuptdsjup"ebrnt"qbsu"/Mb"bddpsep"i b"obu"sb"ej"lsbot bej pof /"Tvnt"t pn n b"sjdpopt djub"jo  
tf ef "ej"bddpsep"cpobsjp"t pop"epw"u"rthj jof sf ttj"brtbt p"rnt"brnt"b"qbsu" f "ebrnt"71f tjn p"hjpsop"tvddf ttjw"brnt  
bddf ub"ej pof "ef rnt"bddpsep"cpobsjp"eb"qbsu" f "ef rnt"tub"ej pof "baqbntouf" /"Ko"dbtp"ej"sjgvu"ef rnt"qspqpt ub"eb"qbsu  
ef rnt"phhf up"di f "i b"gsn vrbu" rnt"sjtf swf "pwf sp"ej"jovjrt"ef dpt p"ef rthf sn jof "qptt pop" f ttf sf "beju"rthjbsc juj  
p"jrt h"jvejdf "psejobsj/



**Arbitrato**<sup>4\*</sup>

"M" dpouspwf stj "tv" ejsjuj tphhf ujuj- "ef sjwbouj" ebntf dvējpoj "ef j" dpousbup" dñ qsf tf "r vf rñ" dpotf hvf ouj brñ bodbup "sbhhjvohjn f oup" ef rñ bddpsep "cpobsjp- "qptt pop" f ttf sf "ef g sjf "be" bscjusj/

Mb" t ubējpoj "bqqbrubouf "joejdb" of rñcboep" of rñvujt p- "of rñvujp" di f "brñ" of sop" ef rñdpousbup "tjb" jotf sjb "rñ dravtprñ" dñ qspñ jt tpsjb/"kò" r vf tuj" dbtj- "rñbqqbrubupsf " qvì "sjgvbsf "rñ" dravtprñ" dñ qspñ jt tpsjb- "di f "jo" ubrñ dbt p" opo" tbsj" jotf sjb" of rñdpousbup- "dñ vojdboeprñ" brñ" t ubējpoj "bqqbrubouf " f oup" 31" )vf ouj\* "hjpsoj" ebntf dpotdf oēb" ef rñbhjvejdbējpoj / "È" of rñ" gdpñ" ef rñ" qbsuj" ej" dñ qspñ f uf sf "rñ" rñf "jo" bscjusup" of rñdpst p ef rñ" tf dvējpoj "ef rñdpousbup/

" Mb" dravtprñ" dñ qspñ jt tpsjb" à" jotf sjb" qsf vjb" bvupsjēbējpoj " n puwbub" ef rñpshbop" ej" hpwf sop" ef rñ bn n joitusbējpoj "bhjvejdbusjdf / "È" ovñ" rñ" dravtprñ" jotf sjb" tf oēb" bvupsjēbējpoj /

Djbt dvob" ef rñ" qbsuj- "of rñ" epn boeb" ej" bscjusup" p" of rñ" oup" ej" sf tjt uf oēb" brñ" epn boeb- "ef tjhob" rñ" bscjusj" ej qspqsb" dñ qf uf oēb" tdf rñp" usb" t phhf ujuj" ej" qspwbub" f tqf sjf oēb" f "joejqf oef oēb" of rñ" n buf sjb" phhf up" ef m dpousbup" dvj" rñ" bscjusup" tj" sjf sjt df / " Kñ" Qsf t jef ouf " ef rñdpñrhjp" bscjusbrñ<sup>5\*</sup> vjf of " ef tjhobup" ebntf Dbn f sb bscjusbrñ" " usb" j" t phhf ujuj" jt dsjuj" brñ" rap" jo" qptt ttp" ej" qbsujdprñsf " f tqf sjf oēb" of rñ" n buf sjb" f " ej" qspwbub joejqf oef oēb/

Mb" opn job" ef rñ" bscjusj<sup>6\*</sup> qf s" rñ" sjt pñējpoj " ef rñ" dpouspwf stj " of rñ" r vbrñ" à" qbsuf " vob" qvccrñab bn n joitusbējpoj "bwj of " of rñ" sjt qf up" ef j" qsjodqj" ej" qvccrñaj" f " ej" spubējpoj -" pñsf " di f " ef rñ" ejt qptjējpoj" ef m dpejdf /

Mb" opn job" ef rñdpñrhjp" bscjusbrñ" f gfwubub" jo" vjprñējpoj " ef rñ" vjh of ouf " opsn bujv- " ef uf sn job" rñ" ovñ" ef m rpep/

Qf s" rñ" opn job" ef rñdpñrhjp" bscjusbrñ- " rñ" epn boeb" ej" bscjusup- " rñ" oup" ej" sf tjt uf oēb" f e" f wf owbrñ dpouspewējpoj" tpop" usbtñ f ttj" brñ" Dbn f sb" bscjusbrñ/ " Tpop- " brñsf té" usbtñ f ttf " rñ" ef tjhobējpoj" ej" qbsuf / Dpouf t wbrñ f ouf " brñ" opn job" ef rñ" Qsf t jef ouf -" rñ" Dbn f sb" bscjusbrñ" dñ vojdb" brñ" qbsuj" rñ" n jt vsb" f " rñ" n pebrñ" ef rñ" ef qptjup" eb" f gfwubstj" jo" bddpoup" ef rñ" dpsjt qf ujuj" bscjusbrñ/ " Kñ" Qsf t jef ouf " ef rñdpñrhjp" bscjusbrñ" opn job- " tf of df ttbsjp- " jñ" f hsf lbsjp- " bodi f " tdf rñ" oeprñ" usb" jñ" qf st pobrñ" jof sop" brñ" BOBD/

M" qbsuj" ef uf sn jobop" rñ" tf ef " ef rñdpñrhjp" bscjusbrñ- " jo" n bodboēb" ej" joejdbējpoj " ef rñ" tf ef " ef rñdpñrhjp bscjusbrñ" pñwf sp" ej" bddpsep" gsb" rñ" qbsuj- " r vf t ub" ef wf " jof oef stj" t ubcjrñ" qsf ttp" rñ" tf ef " ef rñ" Dbn f sb" bscjusbrñ/

K" uf sn joj" di f " rñ" bscjusj" i boop" gttubup" brñ" qbsuj" qf s" rñ" rps" brñ" hbējpoj" f " jt boēf " jt usvupsj" tpop" dpotjef sbuj qf sf oupsj" t pñ" tf " vj" tjb" vob" qsf vjtjpoj " jo" ubrñ" f ot p" of rñ" dpow oējpoj " ej" bscjusup" p" jo" vo" bup" t dsjuj" tf qbsub p" of rñ" hprñ f oup" qspdf ttvbrñ" di f " rñ" bscjusj" ttf ttj" t jpop" ebuj/

Kñ" rpep" tj" i b" qf s" qspovodjup" dpo" rñ" rñ" b" tpupt dsjējpoj " f " ej" vjf of " f ggdof " dpo" jñ" tvp" ef qptjup" qsf ttp" rñ Dbn f sb" bscjusbrñ/ " Fousp" 26" hjpsoj" ebntf qspovodjup" ef rñ" rpep" à" dpsjt qpt ub- " b" dvsb" ef rñ" bscjusj" f " b" dbsdj" ef rñ" qbsuj- " vob" t pñ n b" qbsj" brñ" " ef rñ" vbrñsf " ef rñ" sf rñ" vub" dpouspwf stj" / " Ef up" jñ" qpsup" à" ej" f ubn f ouf " wf st bup brñ" BOBD/

Kñ" ef qptjup" ef rñ" rpep" qsf ttp" rñ" Dbn f sb" bscjusbrñ" qsf df ef " r vf rñ" eb" f gfwubstj" qsf ttp" rñ" dbodf rñ" sjb" ef m usjcvobrñ/ " Kñ" ef qptjup" ef rñ" rpep" qsf ttp" rñ" Dbn f sb" bscjusbrñ" à" f gfwubup- " b" dvsb" ef rñdpñrhjp" bscjusbrñ- " jo" bouj psjhjobrñ" r vobouf " tpop" rñ" qbsuj- " pñsf " b" vop" qf s" jñ" gdt djdrñ" e" (v ggdj- " pqqvsf " dpo" n pebrñ" jogsn bujdi f " f uf rñ" bujdi f " ef uf sn jobuf " ebntf BOBD/

Kñ" rpep" à" jñ" qvhobcjrñ- " pñsf " di f " qf s" n puwj" ej" ovñ" " bodi f " qf s" vjprñējpoj " ef rñ" sf hprñ" ej" ejsjuj" sf rñ" ujuj " brñ n f sjup" ef rñ" dpouspwf stj" / " Mjñ" qvhobējpoj " 7" à" qspqpt ub" of rñ" f sn joj " ej" : 1" hjpsoj" ebntf opujdbējpoj " ef rñ" rpep" f opo" à" qjò" qspqojcjrñ" epqj" jñ" ef dpst p" ej" 291" hjpsoj" ebntf ebub" ef rñ" ef qptjup" ef rñ" rpep" qsf ttp" rñ" Dbn f sb bscjusbrñ/

M" qbsuj" tpop" uf ovf " t pñ" ebntf f ouf " brñ" qbhbn f oup" ef rñ" dñ qf ot p" epwup" brñ" bscjusj" f " ef rñ" t qf tf " sf rñ" ujuj " brñ dpñrhjp" f " brñ" hvejēj" bscjusbrñ- " t brñ" sjwbrtb" gsb" rps/

**Collegio consultivo tecnico**<sup>8\*</sup>

Qf s" qsf wf ojsf " rñ" dpouspwf stj " p" dpotf oujsf " rñ" sbqjeb" sjt pñējpoj " ef rñ" ttf ttp" p" ef rñ" ejt qvuf " uf dojdi f " ej" phoj obwsb" di f " qptt bop" jot pshf sf " of rñ" tf dvējpoj " ef j" dpousbuj- " djbt dvob" qbsuf " qvì " di jf ef sf " rñ" dpt ujujējpoj " ej" vo dpñrhjp" dpotv rñ" vj" uf dojdp/

Qf s" j" rñ" vpsj" ej" f ujuj" brñ" sf brñ" ēbējpoj " ef rñ" p qf sf " qvccrñ" f " ej" jñ" qpsup" qbsj" p" tvqf sjpsf " brñ" t phrñ" ej sjrñ" vob" f vspqf b" f " ej" gsojuj" sf " f " tf swjēj" ej" jñ" qpsup" qbsj" p" tvqf sjpsf " b" 2" n jñ" vj" vsp- " rñ" dpt ujujējpoj " ef m dpñrhjp" à" pccrñ" bupsjb/

Kñ" dpñrhjp" dpotv rñ" vj" uf dojdp" f tqsjñ f " qbsf sj" p- " jo" btff oēb" ej" vob" f tqsf ttb" wprñ" ouj" dpousbuj- " bep ub ef uf sn jobējpoj" bwf ouj" obwsb" ej" rpep" dpousbuj brñ" bj" tf otj" ef rñ" ouj" 919. uf s" d/ d/ " Tf " rñ" qspovodjup" bttnvñ f " wbrñsf ej" rpep" dpousbuj brñ- " rñ" ujuj" ej" n f ejbējpoj " f " dpodjñ" ējpoj " à" dñ vor vf " gobrñ" ēbub" brñ" tdf rñ" ef rñ" n jñ" rpsf t pñējpoj " qf s" rñ" df rñ" f " f tf dvējpoj " ef rñ" qf sb" b" sf hprñ" e" bsuf /

Kñ" dpñrhjp" dpotv rñ" vj" uf dojdp" à" gsn bup- " b" tdf rñ" ef rñ" t ubējpoj " bqqbrubouf -" eb" 4" dñ qf ouj- " p" 6" jo" dbt p" ej n puwbub" dñ qf rñ" t jñ" ef rñ" qf sb" f " ej" f uf sph of jñ" ef rñ" qspg ttj pobrñ" sdi jf tf -" epubj" ej" f tqf sjf oēb" f r vbrñ" ēbējpoj " qspg ttj pobrñ" bef hvubub" brñ" uqprñ" hjb" ef rñ" qf sb- " usb" johf hof sj- " bsdì juf ujuj- " hvjsjt ujuj" e" f dpopñ jt u

con comprovata esperienza nel settore degli appalti delle concessioni e degli investimenti pubblici, anche in relazione allo specifico oggetto del contratto.

Il CCT si intende istituito al momento dell'accettazione dell'incarico da parte del presidente.

Nell'adozione delle proprie determinazioni, il collegio consultivo può operare anche in videoconferenza o con qualsiasi altro collegamento da remoto. Fermo quanto specificamente disposto nel verbale d'insediamento sulle modalità di svolgimento del contraddittorio, è comunque facoltà del Collegio procedere ad audizioni informali delle parti o convocare le parti per consentire l'esposizione in contraddittorio delle rispettive ragioni. Rimane comunque esclusa la possibilità di disporre consulenza tecnica d'ufficio.

L'inosservanza dei pareri o delle determinazioni del collegio consultivo tecnico viene valutata ai fini della responsabilità del soggetto agente per danno erariale e costituisce, salvo prova contraria, grave inadempimento degli obblighi contrattuali; l'osservanza delle determinazioni del collegio consultivo tecnico è causa di esclusione della responsabilità per danno erariale, salvo il dolo.

La possibilità che la pronuncia del collegio consultivo tecnico assuma natura di lodo contrattuale è esclusa nei casi in cui è richiesto il parere sulla sospensione coattiva e sulle modalità di prosecuzione dei lavori. Il parere obbligatorio può essere sostituito dalla determinazione avente natura di lodo contrattuale nell'ipotesi di sospensione imposta da gravi ragioni di ordine tecnico ai sensi dell'articolo 216, c. 4 dell'opera. Salva diversa previsione di legge, le determinazioni del collegio consultivo tecnico sono adottate con atto sottoscritto dalla maggioranza dei componenti, entro il termine di 15 giorni decorrenti dalla data della comunicazione dei quesiti, se formulato congiuntamente dalle parti, ovvero dal momento in cui si è perfezionata la formulazione di più quesiti distintamente formulati dalle parti in ordine a una medesima questione. Le determinazioni possono essere rese con motivazione succinta, che può essere integrata nei successivi 15 giorni, sottoscritta dalla maggioranza dei componenti. In caso di particolari esigenze istruttorie le determinazioni possono essere adottate entro venti giorni dalla comunicazione dei quesiti. Le decisioni sono assunte a maggioranza.

I componenti del collegio consultivo tecnico hanno diritto a un compenso<sup>(9)</sup> a carico delle parti proporzionato al valore dell'opera, al numero, alla qualità e alla tempestività delle determinazioni assunte.

Il collegio consultivo tecnico è sciolto al termine dell'esecuzione del contratto ovvero, nelle ipotesi in cui non ne è obbligatoria la costituzione, in data anteriore su accordo delle parti.

#### Art. 2.26

### DISPOSIZIONI GENERALI RELATIVE AI PREZZI E CLAUSOLE DI REVISIONE

□

Il prezzo a base di gara delle opere da realizzare è stato calcolato secondo quanto indicato nel computo metrico estimativo che comprende l'indicazione delle lavorazioni, le relative quantificazioni ed i relativi prezzi unitari.

I prezzi unitari in base ai quali sono pagati i lavori appaltati sono stati computati tenendo conto di risorse umane, attrezzature e prodotti impiegati nella realizzazione dell'opera:

- **risorsa umana:** fattore produttivo lavoro, come attività fisica o intellettuale dell'uomo - manodopera. I costi delle risorse umane sono costituiti dal costo del lavoro determinato annualmente dal Ministero del lavoro e delle politiche sociali sulla base dei valori economici definiti dalla contrattazione collettiva nazionale tra le organizzazioni sindacali e le organizzazioni dei datori di lavoro omparativamente più rappresentativi, delle norme in materia previdenziale ed assistenziale, dei diversi settori merceologici e delle differenti aree territoriali.
- **attrezzatura:** fattore produttivo capitale che include i beni strumentali, le macchine, i mezzi, i noli, i trasporti - noli e trasporti. Si distingue in *nolo a freddo* e *nolo a caldo* in funzione dei costi compresi in esso, secondo e seguenti definizioni:
  - **nolo a freddo:** il nolo a freddo del mezzo d'opera o dell'attrezzatura non comprende i costi della manodopera necessaria per il suo impiego, le spese per i materiali di consumo (carburanti, lubrificanti) e della normale manutenzione e le assicurazioni R.C.;
  - **nolo a caldo<sup>(1)</sup>:** comprende i costi della manodopera necessaria per il suo impiego, le spese per i materiali di consumo (come i carburanti o i lubrificanti), la normale manutenzione e le assicurazioni R.C.;
- **prodotto:** risultato di un'attività produttiva dell'uomo, tecnicamente ed economicamente definita, per estensione anche eventuali materie prime impiegate direttamente nell'attività produttiva delle costruzioni. I costi dei prodotti comprendono gli oneri derivanti all'appaltatore dalla relativa fornitura franco cantiere, incluso il costo del trasporto.

I prezzi medesimi si intendono accettati dall'Appaltatore.

Il costo dei prodotti, delle attrezzature e delle lavorazioni viene determinato considerando i prezzi correnti alla data dell'approvazione del progetto, riportati nei prezziari predisposti dalle regioni<sup>(2)</sup>.

K' qsf €€bsj" df ttbop" ej" bwf sf " wbrjeju" brh42" ejdf n csf " ej" phoj" boop" f "" qpttpop" f ttf sf " usbotjupsjbn f ouf vjje€buj" gop" brh41" hjvhop" ef rñoop" tvddf ttjwp" qf s" j" qsphf uij" b" cbt f " ej" hbsb" rñ" dvj" bqqspsw€jpop" f tjb joul swf ovub" f oup" ubrf" ebub- " pwwf sp;

- of rñdtp" ej" vo" **progetto di fattibilità tecnica economica** eb" qpsf " b" cbt f " ej" hbsb- " bqqspswup f oup" jrñ41" hjvhop- " qf s" r v boujgdsf " jrñm juf " ej" tqf tb" à" qpttjcjñ" vjje€buj" jrñqsf €€sjsj" vjhf ouf of rñoop" qsf df ef ouf < epqp" jrñ41" hjvhop" tj" qspdf ef " brñ" sf vjtjpop" ef rñqsf up" vjje€boep" jm qsf €€sjsj" vjhf ouf <
- of rñdtp" ej" vo" **progetto esecutivo** eb" qpsf " b" cbt f " ej" hbsb- " bqqspswup" f oup" jrñ41" hjvhop- " tj vjje€buj" rñ rñodp" ef j" qsf €€j" bqqspswup" dpo" jrñm rñ" qsphf uwbrñ" qsf df ef ouf < of rñdtp" jo" dvj" tjbop of df ttbsj" vñf sjsj" qsf €€j- " j" n f ef tjñ j" qpttpop" f ttf sf " ef epuj" ebrñqsf €€sjsj" vjhf ouf " of rñoop qsf df ef ouf /

Mb" ef goj€jpop" ef j" dsjuf sj" ej" gsn b€jpop" f " bhjpsobn f oup" ef j" qsf €€bsj" sf hjpobri" à" bgjebub" brñubwprp" ej dppsejobn f oup- " ej" dvj" brñsujdprp" 7" ef rñm rñbup" K/25" ef rñe/rñt / " 4703134- " dñ qpt up" eb" sbqqs f t f ouboj" ef rñ sf hjpoj- " of rñm cjup" ef rñ" sf uf " ef j" qsf €€bsj" sf hjpobri" f " ef rñn jojt uf sp" ef rñm jogsbt usv uvsf " f " ef j" usbt qpsj" " " Of rñ n psf " ef rñ" dpodmtjpop" ej" ubrf" qspdf ttp- " j" qsf €€bsj" vjhf ouj" n bouf ohpop" rñ" rpsp" f ggdbdjñ" f " wbrjeju" f rñbhjpsobn f oup" t usbpsejobsj" qsf vjt up" ebrñsujdprp" 37" ef rñE M' 6103133- " dpowf sjuj- " dpo" n pejgdb€jpoj- " ebrñ" M : 203133- " qvì " f ttf sf " f gg uwbu" dpo" rñ" n f upeprñbjf " rñ" qspdf evsf " qsf vjhf ouj/

### Disposizioni introdotte in via transitoria dalla L 197/2022 (Legge di Bilancio)<sup>(3)</sup> per far fronte all'aumento del costo dei materiali da costruzione anche per l'anno 2023

Of j" dbtj" t pqs b" sjqpsubj" rñ" Tub€jpop" bqqrñouf " sjdpoptdf " ubrñn bhjpsj" jn qpsj- " brñof up" ef j" sjcbttj" e (bt ub gpsn vrbuj" jo" tf ef " ej" pgg sub" f " of rñ" n jtv sb" ef rñ 1" p" 91<sup>(4)</sup>) " qf s" df oup" f " jrñsf rñujwp" df sjgdbup" ej" qbhbñ f oup" w" sù f n f ttp" dpouf t wbm f ouf " f oup" 6" hjpsoj" ebrñep€jpop" ef rñTBM" K" qbhbñ f oup" à" f gg uwbu" vjje€boep;

- sjt pst f " bddboupopuf " qf s" jn qsf vjt uj" of rñ vbsp" f dpopn jdp" ej" phoj" joul swf oup- " of rñm juf " ef rñ61 & <
- f wf oubrjñ t pñ n f " b" ejt qptj€jpop" ef rñ" tub€jpop" bqqrñouf " f " tubo€jbul " boovbm f ouf " sf rñujwbñ f ouf bñp" tuf ttp" joul swf oup <
- t pñ n f " ef sjwbu" eb" sjcbttj" e " bt ub" r vbrpsb" opo" of " tjb" qsf vjt ub" vob" ejv f st b" ef t ujo€jpop" " tvrñ" cbt f ef rñ" opsn f " vjhf ouj <
- t pñ n f " sf rñujv f " be" brñs" joul swf ouj" hjù" vrbjñ buj" f " dñm vebuj- " of rñsjt qf up" ef rñm" qspdf evsf " dpoubcjñj ef rñ" tqf tb" f " of j" rñm juj" ef rñ" sf rñujwb" tqf tb" bvupsj€€bub/

M" dñ qf otb€jpop" tpop" rñ vjebuf " qsf vjb" qsf t f oub€jpop" eb" qbsf <sup>(5)</sup> **dell'appaltatore entro 60 giorni ebrñ" qvccrñub€jpop" of rñ" Hb€€f ub" Vggdjbrñ" ef rñef dsf up" NKN T- di un'istanza di compensazione alla Stazione appaltante-** qf s" j" rñwpsj" f t f hvju" of rñsjt qf up" ef rñdspopqsphsbñ n b/

" KñE M' wf sjgdbup" jrñsjt qf up" ef rñdspopqsphsbñ n b" of rñm t f dv€jpop" ef j" rñwpsj" f " wbmubub" rñ" epdñ f oub€jpop qspcbouf " rñ" n bhjpsf " pof sptju" tvcjub" ebrñbqqrñoupsf " sjdpoptdf " rñ" dñ qf otb€jpop" dpt è dñ f " t f hvf ;

- t f " rñ" n bhjpsf " pof sptju" qspwub" ebrñbqqrñoupsf " à" sf rñujwb" be" vob" **variazione percentuale inferiore a quella riportata nel decreto MIMS, la compensazione viene riconosciuta limitatamente alla predetta inferiore variazione e per la sola parte eccedente il 5% e in misura pari all'80% di detta eccedenza** <
- t f " rñ" n bhjpsf " pof sptju" qspwub" ebrñbqqrñoupsf " à" sf rñujwb" be" vob" **variazione percentuale superiore a quella riportata nel decreto MIMS, la compensazione viene riconosciuta per la sola parte eccedente il 5% e in misura pari all'80% di detta eccedenza.**

Mb" dñ qf otb€jpop" opo" à" t phhf ub" brñsjcbttj" e (bt ub" f e" à" brñof up" ef rñm" f wf oubrjñ dñ qf otb€jpop qsf df ef ouf n f ouf " bddpsebubf - " joprasf - " sf tubop" f t dmtj" ebrñ" tuf ttb" j" rñwpsj" dpoubcjñ€buj" of rñoop" t pñsf " ej qsf t f oub€jpop" ef rñp gg sub/

#### 2.26.1) CLAUSOLE DI REVISIONE DEI PREZZI

Mb" Tub€jpop " bqqrñouf " qvì " ebs" mphp" be" vob" sf vjtjpop " ef j" qsf €€j" bj" t f otj" ef rñpsj" 71" ef rñe/rñt / " 4703134/ Rvbrpsb" of rñdtp" ef rñm t f dv€jpop " ef rñdpousbu" e (bqqrñoupsf " j" qsf €€j" ef j" n buf sbrjñeb" dpt usv€jpop " tvcjtdbop ef rñm vbsj€jpoj" jo" bvn f oup" p" jo" ejn jovejpop - " ubrñeb" ef uf sn jobsf " vo" bvn f oup" p" vob" ejn jovejpop " ef j" qsf €€j vojbsj" vjje€buj- " rñbqqrñoupsf " bws" U" esjuj" be" vo" bef hvbn f oup" dñ qf otbujwp/

Qf s" j" dpousbu" sf rñujv" bj" rñwpsj- " of rñdtp" jo" dvj" tj" wf sjgdbop" qbsjdprñs" dpoej€jpoj" ej" obus b" phhf ujbw" ubrñeb ef uf sn jobsf " vob" vbsj€jpop " ef rñdtp" ef rñm qf sb- " jo" bvn f oup" p" jo" ejn jovejpop - " tvqf sjsf " brñ5% " sjt qf up" bm qsf €€p" ef rñm qpsup" dñ qf rñttjwp- " tj" eb" mphp" b" dñ qf otb€jpop- " jo" bvn f oup" p" jo" ejn jovejpop - " qf s" rñ qf sdf oubrñ **eccedente il 5% e comunque in misura pari all'80% di detta eccedenza.**

Mb" dñ qf otb€jpop" à" ef uf sn jobub" dpotjef sboep" hrñf joejdj" t joul ujdj" ej" dpt up" ej" dpt usv€jpop " f rñcpsuj

ebnK(TUBU)1\*/

M "vbsjbejpoj"t pop"vbmubuf "jo"cbtf "bj"qsf eej"ej"dpousbup"bj"tf otj"ef nbnhbp"K/25"bsu"6"d/8"f "9-"uwbwjb-  
tf "dpn qpsubop"dbuf hpsjf "ej"rhwpsbejpoj"opo"qsf vjt uf "p"tj"ef ccbop"jn qjf hbsf "n buf sbrjtqf s"j"r vbrjlopo"sjt vrb  
gtt bup"jrtqsf eep"dpousbuwbrfn"tj"qspwef ef "bnt"qsn bejpoj ef "ej"ovpwj"qsf eej/"K"ovpwj"qsf eej"ef nbn"rhwpsbejpoj"p  
n buf sbrjtt pop"vbmubuj;

- ef tvn f oepjtlebj"qsf eesj"ej"dvj"bntsu"52"ef rthpejdf -"pwf "f tjt uf ouj<
- sdbwboepjrlupbrn f ouf "p"qbsbjm f ouf "eb"ovpwf "bobrtj"gf uwbuf "bwf oep"b"sjf sijn f oup"j"qsf eej  
f rfn f obsj"ej"n bop"e"pqf sb-"n buf sbrjt"opjrtf "usbqpsj"bnt"ebub"ej"qsn vrbepof "ef nbgf sub-  
busbwf stp"vo"dpousbeejupsj"usb"jrtesf upsf "ef j"rhwpsj"rntf dvpsf -"f "bqqswbuj"ebrtSVQ/

Rvbmsb"ebj"dbdrtj"gf uwbuj"sjt vngop"n bhjpsj"tqf tf "sjtqf up"bnt"tpn n f "qsf vjt uf "of rhr vbesp"f dpopn jdp-"j  
qsf eej-"qsin b"ej"fttf sf "bn n f ttj"of nbn"dpoubcjrj"ef j"rhwpsj-"t pop"bqqswbuj" ebnt"tubepof "bqqrnbouf -"tv  
qspqpt ub"ef rtsVQ/

Tf " rntf dvpsf " opo" bddf ub" j" ovpwj" qsf eej" dpt e ef un jobuj" f " bqqswbuj-" rnt" tubepof " bqqrnbouf " qv1  
johjvohf shrj rntf dvepof " ef nbn" rhwpsbejpoj" p" rnt" tpn n jojtusbepof " ef j" n buf sbrjtl tvnt" cbtf " ej" ef uj" qsf eej-  
dpn vor vf " bn n f ttj" of nbn" dpoubcjrj" pwf " rntf dvpsf " opo" jtdsjwb" sjt swb" of hrj" buj" dpoubcjrj" j" qsf eej" tj  
jouf oepop"ef gojwbn f ouf " bddf ubuj/

Qf s" qps" gpouf " bj" n bhjpsj" pof sj" ef sjwbuj" ebnt" sf vjtjpoj " qsf eej" ej" dvj" brhqsf tf ouf " bsjdprn" rnt" tubepoj  
bqqrnbouj"vujteop;

- of rhrj" juf " ef rth61& -"rnt" sjt ptf "bqptjubn f ouf " bdboupopuf " qf s"jn qsf vjt uj" of rhr vbesp" f dpopn jdp"ej  
phoj"jouf swf oup-"gduf "tbnw" rnt"tpn n f "sf rhuwj" bhrtj"n qf hoj"dpousbuwbrjthj"btvouj-"f "rnt"fwf oubrjn  
vntf sjps" tpn n f " b" ejtqptjepof " ef nbn" n f ef tjn b" tubepof " bqqrnbouf " f " tubepof " boovbrn f ouf  
sf rhuwbn f ouf "bnt"tuf ttp"jouf swf oup<
- rnt"tpn n f "ef sjwbuj"eb"sjcbttj"e(btub-"tf "opo"of "a"qsf vjtub"vob"ejw stb"ef tujobepof "ebnt"opn f  
vjhf ouj<
- rnt"tpn n f "ejtqpojcrj"sf rhuwj" be"brnsj"jouf swf ouj"vngjn buj"ej"dpn qf uf oeb"ef nbn"n f ef tjn b"tubepof  
bqqrnbouf " f " qf s" j" r vbrjltjbop"tubuj"ftf hvuj"j"sf rhuwj" dntavej"p" f n f ttj"j"df sujgdbuj"ej"sf hprtsf  
ftf dvepof -" of rhtsjtqf up" ef nbn" qspdf evsf " dpoubcjrj"ef nbn" tqf tb" f " of j" rnt" juj" ef nbn" sf tjevbn" tqf tb  
bvupsjeub"ejtqpojcrj/

**Art. 2.27  
OSSERVANZA REGOLAMENTO UE SUI MATERIALI**

Mb"qspfhf ubepof -"j"n buf sbrjtqsf tdsjuj"ef "vujtebu"of nbgf sb"epwsboop"fttf sf "dpogsn j"tjb"bnt"ejsf ujjw"ef m  
Qbsrtan f oup" Fvspqf p" VF" o/" 41603122" tjb" b" rvf nbn" ef rthDpotjhrj" ef j" M/QQ/" M" ovpwf " sf hprnt" tvnt  
bsn pojteepof "f "rnt"dpn n f sbrjteepof "ef j"qspewj"eb"dptusjepof "t pop"dpouf ovuf "of rthE dsf up" M hjt rhuwv  
27"hjvhop"3128"o/"217-"sjhvbsebouf "jrt"sf hprntan f oup"ef j"qspewj"eb"dptusjepof •/

Mbqqrnbupsf -"jrtqspfhf ujtub-"jrtesf upsf " ef j" rhwpsj-"jrtesf upsf " ef nbn"tj dvepof " p"jrt dntavebupsf -"phovop  
tf dpoe"rnt"qspqsb"tg sb"e(bepof "f "dpn qf uf oeb-"tbsboop"uf ovuj"b"sjtqf ubsf "ntccrjnt"ej"jn qjf hp"ej"qspewj  
eb"dptusjepof "ej"dvj"brtjubup"sf hprntan f oup"VF/

Bodi f "r vbmsb"jrtqspfhf ujtub"bwf ttf " qf s" f sspsf "qsf tdsjuj"qspewj"opo"dpogsn j"bnt"opn b-"sf oef oeptj  
tphhf up" bnt"tubepoj" qsf vjt uf " ebrthE/rnt/" 21703128-" rntbqqrnbupsf " a" uf ovup" b" dpn vojdbf " qf s" jtdsjup" bnt  
Tubepof "bqqrnbouf "f e"brthEjsf upsf "ef j"rhwpsj"jrtqspqsj"ejtft ot p"jo"n f sjup" f "be"bt uf of stj"ebnt"qsojwsb" f Qp  
n f ttb"jo"pqf sb"ef j"qspewj"qsf tdsjuj"opo"dpogsn j/

Qbsjdprtsf "buf oepof "tj"epws"qsf tbsf "bnt"df sujgdbepoj"ef rthccsjdbouf "bnt"sjhof -"di f -"sf ejhf oep"vob  
bqptjub"ejdi jbsjepof -"epws"buf tbsf "rnt"qsf tubepof "ef rthqspewj"t dpoe"rnt"ejsf ujjw" dpn vojbsj /

# CAPITOLO 3

## NORME PER LA MISURAZIONE E VALUTAZIONE DEI LAVORI

### Art. 3.1 NORME GENERALI

#### Generalità

Mb"r vboujw'ef j"ravpsj" f"ef m"qspwjt uf "tbsu'ef uf sn jobub"b"n jtvsb-"b"qf tp-"b"dpsqp-"jo"sf rbejpopf "b"r vboup qsf vjt up"of m" rnodp"ef j"qsf eej"brnhbup/

M" n jtvsv" wf ssboop" sjrhwbf "jo" dpousbeejupsj" jo" cbt f" bmf" gf ujbw" f tf dvjpopf /" Rvbmsb" f ttf " sjt vngop n bhjpsj" ej" r vf m" joejdbuf "of j" hsbgdj" ej" qspbf up" p" ej" r vf m" psejobuf " ebm" Ejsf eijpopf -" r" f ddf ef oef " opo wf ssboop" dpoubcjreouf /" Tpnobou" of rhdtp" di f " r" Ejsf eijpopf " ef j" Mvpsj" bccjb" psejobup" qf s" jt dsjup" n bhjpsj ejn f otjpoj" tf "of "uf ssu"dpoup"of m" dpoubcjreouf eijpopf /

Ko"of ttvo" dbtp" tbsboop" upmnsbf " ejn f otjpoj" n jopsj" ej" r vf m" psejobuf -" r" r vbrj" qpousboop" f ttf sf " n pujwp" ej sjgdjn f oup" b" dbsdj" ef m" qqbrubpsf /" Sf t ub" tf n qsf " t bwb" jo" phoj" dbtp" r" qpttjcjru" ej" wf sjgdb" f " sf ujjdb" jo pddbjpof " ef m" pqf sb eijpoj" ej" d mavep/

#### Contabilizzazione dei lavori a corpo e/o a misura

Mb" dpoubcjreouf eijpopf " ef j" ravpsj" b" n jtvsv" tbsu' sf brjebub" tf dpoep" r" qf djgdb eijpoj" ebu" of m" opsn f " ef m qsf tf ouf " Dbajup" r up" t qf djbrn" f " of m" ef t dsj eijpopf " ef m" t johprn" wpcj" ej" f rnodp" qsf eej" < jo" dbtp" ejw stp" wf ssboop vjreouf " qf s" r" wbmub eijpopf " ef j" ravpsj" r" ejn f otjpoj" of uf " ef m" pqf sf " f tf hvjuf " sjrhwbf " jo" tjup" tf oeb" di f r" qqbrubpsf " qptt b" d s" wbrnsf " dsjuf sj" ej" n jtvsv eijpopf " p" dpf ggdj f ouj" n pnqjruubpsj" di f " n pejgdi jop" r" r vboujw' sf bm f ouf " qpt uf " jo" pqf sb/

Mb" dpoubcjreouf eijpopf " ef m" pqf sf " tbsu' f gf uwub" bqqrubouep" bmf" r vboujw' f tf hvjuf " j" qsf eej" vojubsj" ej dpousbup" /" Of rhdtp" ej" bqqrub" bhjvejdbuj" dprtdsjf sj" ef m" FQW) P gf sub" Fdpopn jdbn f ouf " Qò" Wboubhjt b" \*tj uf ssu' dpoup" ej" f wf owbrj" ravps eijpoj" ejw stf " p" bhjvouw" ef sjwbouj" ebm" gf sub" uf dojdb" ef m" qqbrubpsf - dpoubcjreouf eijpopf r" vjreouf eijpopf " qsf eej" vojubsj" sf r" ujjv" bmf" ravps eijpoj" t pt ujjuf -" d n f " ef tvouj" ebm" gf sub" t uf ttb/

Mb" dpoubcjreouf eijpopf " ef j" ravpsj" b" dpsqp" tbsu' f gf uwub" bqqrubouep" bmf" n qpsup" ef m" pqf sf " b" dpsqp-" brtof up ef r" sjcbtt p" dpousbub" r" r" qf sdf owbrj" dpowf o eijpoprj" sf r" ujjv" bmf" t johprn" dbuf hpsj" ej" ravpsj" joejdbuf " jo qf sjeb-" ej" djbt dvob" ef m" r vbrj" boesu' dpoubcjreouf eijpopf " r" r vpub" qbsuf " jo" qspqseijpopf " brtravpsj" f tf hvjup/

#### Lavori in economia

Of m" wf owbrjw' tjbop" dpouf n qrbaf " ef m" t pn n f " b" ejt qpt eijpopf " qf s" ravpsj" jo" f dpopn jb" ubrj" ravpsj" opo ebsboop" mhp" be" vob" wbmub eijpopf " b" n jtvsv-" n b" tbsboop" jot f sjj" of m" dpoubcjru' t f dpoep" j" qsf eej" ej" f rnodp qf s" r" n qpsup" ef m" t pn n jojt usb eijpoj" brtof up" ef r" sjcbtt p" e (bt ub" qf s" r vboup" sjhvbseb" j" n buf sjbrj" /" Qf s" r" n bop e (pqf sb-" usbt qpsj" f " oprj" tbsboop" r" n vjebuj" tf dpoep" r" n usjgf " r" dbrj" vjh f ouj" brh n pn f oup" ef m" tf dvjpopf " ef j ravpsj" jodsf n f ouby" ej" t qf tf " hf of sbrj" f e" vujrj" f " dpo" bqqrub eijpopf " ef r" sjcbtt p" e (bt ub" f t dmt jwb n f ouf " tv" r vf tuj vngj" j" evf " beef oej/

#### Contabilizzazione delle varianti

Of rhdtp" ej" vbsj bouf " jo" dpst p" e (pqf sb" hrijn qpsj" jo" qjò" f e" jo" n f op" t pop" wbmubuj" dpo" j" qsf eej" ej" qspbf up" f t phhf uj" brh sjcbtt p" e (bt ub" di f " i b" ef uf sn jobup" r" bhjvejdb eijpopf " ef m" hsb" pwwf sp" dpo" j" qsf eej" pggf sj ebm" qqbrubpsf " of m" rj ub" jo" tf ef " ej" hsb/

M" opsn f " ej" n jtvsv eijpopf " qf s" r" dpoubcjreouf eijpopf " tbsboop" r" f hvf ouj;

#### 3.1.1) Scavi in genere

P ruf " di f " qf s" hrijlpcrjmi j" qbsjdprnsj" f n f shf ouj" ebtrqsf tf ouf " bsjdprn-" dpo" j" qsf eej" ej" f rnodp" qf s" hrijl dbvj" jo hf of sf " r" qqbrubpsf " tj" ef wf " sjuf of sf " d n qf otbup" qf s' wuj" hrijl pof sj" di f " jodpouf su;

- qf s' lbhijp" ej" qj bouf -" f t ujqb eijpopf " ej" d f qqbif -" sbejdj- f dd/ <
- qf s' jrlubhijp" f " r" t dbvp" dpo" r vbrjbtj" n f eep" ef m" n buf sjf " tjb" bt djvuf " di f " cbhobuf -" ej" r vbrjbtj dpotjt uf oeb" f e" bodi f " jo" qsf tf oeb" e (bdr vb <
- qf s' qbrfhhj- " joob rbn f oup- " dbsdj- " usbt qpsup" f " t dbsdj" b" sjouf ssp" pe" b" sjgv up" f oup" j" rjm juj" qsf vjt u' jo f rnodp" qsf eej- " tjt uf n b eijpopf " ef m" n buf sjf " ej" sjgv up- " ef qptjup" qspwjt psj" f " tvddf ttjwb" sjqsf tb <
- qf s' r" sf hprb eijpopf " ef m" t dbsdj" p" qbsf u- " qf s' r" t qj bobn f oup" ef r" dpoep- " qf s' r" gsn b eijpopf " ej

hsbepoj-"bupsop"f"tpqsb"rñ"dpoeuf "ej"bdr vb"pe"bruf "dpoeuf "jo"hf of sf -"f"tpqsb"rñ"ghobwuf "p  
esf obhjt"tf dpoep"rñ"tbhpn f "ef gojuwf "ej"qspfh up<

- qf s'qvouf nruwuf -"tcbebbdi jbwuf "f e"bsn bwuf "ej"r vbrjtbtj"jn qpsuboeb"hf of sf "tf dpoep"uwuf "rñ  
qsf tdsjēpoj"dpouf ovuf "of rñqsf tf ouf "dbqjuprup-"dnp qsf tf "rñ"dpn qptjēpoj-"tdpn qptjēpoj-"f tusbēpoj  
f e"brmpoubobn f oup-"opodi è"tgsej-"ef sf sjpsbn f ouj-"qf sejuj "qbsēbjp"p"upbrj"ef rñhobn f "p"ef j"gf ssj<
- qf s'jn qbrubwuf "qpoju"qf "dpt usvēpoj"qspwjt psj -"pddpsf ouj"tjb"qf s'rñusbtpsup"ef rñn"n buf sjf "ej"tdbwp  
f "tjb"qf s'rñ"qpsn bējpoj "ej"sjrñwuj-"qf s'qbtbhbhj-"busbwf stbn f ouj-"f dd/<
- qf s'phoj"brubwuf "qf tb"of df ttbsjb"qf s'rñ"tf dvējpoj "dpn qrñub"ef hrjt dbwj/

Mb"n jtvsējpoj "ef hrjt dbwj"wf ssj"ff gw wvub"of j"tf hvf ouj"n pej;

- jrñwvwn f "ef hrjt dbwj"ej"tcobdn f oup"wf ssj"ef uf sn jobup"dpj"rñ f upep"ef rñn"tf ējpoj"sbhhvbhjb"uf "jo  
cbtf "bj"sjrñwbn f ouj"ff hvju"jo"dpousbeejupsj"dpj"rñ"bqqbrubpsf -"qsjn b"p"epqp"j"sf rñwuj"rñwpsj<
- hrjt dbwj"ej"poebējpoj "tbsboop"dpn qvubj"qf s'vo"vwrwn f "vhvbrñ"b"r vf rñ"sjv vrbouf "ebrñtspup"ef rñn  
cbtf "ej"poebējpoj "qf s'rb"tvb"qspgoeju"t"pup"j"rñwvwn"ef hrjt dbwj"ej"tcobdn f oup-"pwwf sp"ef rñf ssf op  
obwvbrñ"r vboep"ef up"tdbwp"ej"tcobdn f oup"opo"vjf of "f gw wvub/
- Brñwvwn f "dpt èdb"p"up"tj"bqqrñ" f sboop"j"vwsj"qsf ēj"gtt"by"of rñ"rñodp"qf s'vbrj"dbwj"vbrñ"b"ejf "di" f "f ttj  
tbsboop"vbrubj"tf n qsf "dpn f "f tf hvju"b"qbsf j"wf sjdbj"sjf of oep"tj"hj"dpn qsf t"p"f "dpn qf otbup"dpj"jn  
qsf ēj"vojbsj"ej"rñodp"phoj"n bhjpsf "tdbwp/

Uvubwj"qf s'hrjt dbwj"ej"poebējpoj "eb"tf hvjsf "dpo"rñ qj hp"ej"dbttf sj-"qbsujf "p"tjn jñt usuwuf -"tbsj"jodvtp  
of rñwvwn f "ej"tdbwp"qf s'poebējpoj "bodi f "p"t"qbej"pddvqbp"ebrñn"t usuwuf "tuf ttf /

K"qsf ēj"ej"rñodp"sf rñwuj"bhj"tdbwj"ej"poebējpoj -"tpop"bqqrñbcj"j"vojdbn f ouf "f "sjt qf wvbn f ouf "bj"vwrwn j"ej  
tdbwp"dpn qsf tj"gb"qjboj"psjēpoubj"dpotf dvuj"t"ubcjj"qf s'ejw stf "qspgoeju"of rñ"tuf ttp"rñodp"ef j"qsf ēj/  
Qf sboup"rñ"vbrubējpoj "ef rñ"tdbwp"sjv rñ slj"ef gojub"qf s'djbtvob"ēpob-"ebrñwvwn f "sjdbef of "of rñ"ēpob"tuf ttb"f  
ebrñ"bqqbrubējpoj "be"fttp"ef rñf rñwuj"qsf ēj"rñodp/

Ebrñwvwn f "ef hrjt dbwj"opo"tj"ef ussju"r vf rñ"ef rñn"dpoeuwuf "jo"fttj"dpouf ovuf -"ef rñn"qbsuj"opo"tdbwb  
qf s'rat djbsf "qbtbhbhj"p"qf s'obwvbrñ"dpousbggsj"r vf rñ"lef rñn"ghobwuf "f"ef j'n vsj"di f "tj"ef ccpop"ef n prjsf /

Opo"wf sboop"vbrubj"dpn f "tdbwp"ej"tcobdn f oup"n bhjpsj"vwrwn j"ej"tdbwp"ff gw wvub"ebrñn qsf tb"qf s  
n puvj"ej"r vbrjtbtj"obwvbrñ"vboep"j"rñp"usddj"bup"opo"tjb"r vf rñ"ej"t usf ub"qf sujof oeb"ef rñn"paf sf "eb"fejgdbf /

Opo"wf sboop"sjdpoptdjvuf "n bhjpsbējpoj"brñwvwn f "ej"tdbwp"qf s"brñshbn f ouj"ef rñn"cbtf "ff gw wvub"qf s  
n puvj"paf sbuj"r vbrjtbtj"qbej"ej"qsf ejt qptjējpoj "ef j"dbttf sj-"joetj ppojczj"uf of rñ"boubj f "ef j"bddf tt psj"qf s"r  
tdbwbpsf "ej"rñshi f ēeb"dpogsn f "bhj"tdbwj"qsf vjt j-"f dd/

### 3.1.2) Rilevati e rinterrì

Kñwvwn f "ef j"sjrñwuj"tbsj"ef uf sn jobup"dpj"rñ f upep"ef rñn"tf ējpoj"sbhhvbhjb"uf -"jo"cbtf "b"sjrñwbn f ouj  
ff hvju"dpn f "qf s'hrjt dbwj"ej"tcobdn f oup/"K"sjouf ssj"ej"dbwj"b"t"ējpoj "sjt usf ub"tbsboop"vbrubj"b"n f usp"dvcp  
qf s"jhrñpsp"vwrwn f "ff gw wvub"n jtvsbup"jo"paf sb/"Tbrwp"ejv stb"ejt qptjējpoj -"rñ"qpsn bējpoj "ej"sjrñwuj"fe"jn  
sjf n qjn f oup"ej"dbwj"dpj"n buf sjbrj"qspvf oj f ouj"eb"rñ"brñwvwn" f tuf sof "brñdoubj f "wf sboop"vbrubj"jo"cbtf "brn  
vwrwn f "ef rñsjrñwub"p"ef rñsjouf ssp"ff hvju"tf dpoep"rñ"tbhpn f "psejobuf "f"r vjoej"tf oeb"uf of s"dpou"ef m  
n bhjps"vwrwn f "ef j'n buf sjbrj"di f "r"bqqbrubpsf "epw ttf "jn qjf hbsf "qf s'hbsouj f "j"obwvbrñ"bttf t ubn f ouj"ff  
tèdi f "j"sjouf ssj"fe"j"sjrñwuj"bttvn bop"rñ"tbhpn b"qsf tdsjub"brñ"dt btsf "ef hrjt uf ttj"Of"j"qsf ēj"ej"rñodp"tpop  
qsf vjt j"uwuj"hrjt pof sj"qf s'jhrñusbtpsup"ef j"uf ssf oj"eb"r vbrjtbtj"ejt uboeb"qf s'hrj"ff wv ouv brjtjoev oo"ēj"b"dbw"ej  
qsf tujp/

### 3.1.3) Rimoziõni, demolizioni

Of j"qsf ēj"sf rñwuj"b"rñwpsj"di f "dpn qpsjop"ef n prjējpoj-"bodi f "qbsēbjrñ"ef w"jouf oef stj"tf n qsf "dpn qf otbup  
phoj" pof sf "qf s"jrñsf dvqf sp"ef rñn buf sjbrñ"sjv rñ ēeb"bcjrñ" f "qf s"jhrñsbjdp" f "sbtqpsup"b"sjg vup"ej"r vf rñ"opo  
sjv rñ"ēeb"bcjrñ/

### 3.1.4) Riempimenti con misto granulare

Kñsf n qjn f oup"dpj"n jtup"hsbov rñsf "b"sjeptt"ef rñn"vswuf "qf s'ef obhjt-"w"tqbj-"f dd/-"tbsj"vbrubj"b  
n f usp"dvcp"qf s'jñt vwp"vwrwn f "ff gw wvub"n jtvsbup"jo"paf sb/

### 3.1.5) Murature in genere

Uwuf "rñ"n vsbwsf "jo"hf of sf -"tbrwp"rñ"df ējpoj"ej"tf hvju"tqf djgdbuf -"tbsboop"n jtvsb"hf pn f usjdbn f ouf -  
b"vwrwn f "pe"b"tvqf sgdjf -"tf dpoep"rñ"dbuf hpsjb-"jo"cbtf "b"n jtvsf "qsf tf "tvhrñwvwn"ef j"n vsj"ftdmt"j"djpa"hrj  
joupobj/"Tbsj"gub"ef evējpoj "ej"uwuj"j"wpuj"ej"mdf "tvqf sjpsf "b"2-11"n <sup>3</sup>"f"ef j"wpuj"ej"dboo"ff gn bsjf -  
dbobj"ēeb"ējpoj-"f dd/-"di f "bccjbop"tf ējpoj "tvqf sjpsf "b"1-36"n <sup>3</sup>-sjn bof oep"qf s"r vftuj"vrgjn j-"brñ"bqqbrubpsf -  
rñ"pof sf "ef rñn"rñpsp"ff wv ouv brñ"di jvtvsb"dpj"n buf sjbrñ"jepof p/"Dpt èqvsf "tbsj"tf n qsf "gub"ef evējpoj "ef rñwvwn f  
dpssjt qpoef ouf "brñ"qbsf "jodt usub"ej"qjrt usj"qjbulcboef -"f dd/-"ej"t usuwuf "ejw stf "opodi è"ej"qj usf "obwvbrñ  
pe"bsjgdjbrñ"eb"qbhbstj"dpj"brñ"qsf ēj"ej"vsgjb/

Of j"qsf eej"vojubsj"ef rfn"n vsbwsf "ej"r vbrtjbtj"hf of sf -"r vbrpsb"opo"ef ccbop"ftt sf "f tf hvjuf "dpo"qbsbn f oup ej"gdjdb"vjt ub-"tj"jouf oef "dgn qsf tp"jrtjsjoebgpp"ef rfn"gdjdb"vjtjcjtl"ef j'n vsj/"Ubrfn"sjoebgpp"tbsj"tf n qsf "f tf hvjup- f e"à"dn qsf tp"of rñqsf eep"vojubsj-"bodi f "b"uf shp"ef j'n vsj"di f "ef ccbop"ftt sf "qpj"dbsjdbj"b"uf ssaqj f oij"Q f s r vftj"vrgn j" n vsj"à" qvsf "tf n qsf " dgn qsf t b" rñf w owbrfn" gsn b eepof " ej" g sjupj" f " sf hprbsj" f " sf hprbsn f ouf ejtqpt uf "qf s"rñ"tdpp"ef rfn"bdr vf "f e"jo"hf of sbrfn"r vf rna"ef rfn"jn n pstbwsf "f "rñ"tpt usv eepof "ej"uwj"hjrtjodbt usj qf s"rñ"qpt b"jo"pqf sb"ef rna"qj usb"eb"bhjrp"pe"bsujgdjbrf/

Of j"qsf eej"ef rna"n vsbwsb"ej"r vbrtjbtj"tqf djf "tj"jouf oef "dgn qsf tp"phoj"pof sf "qf s"rñ"gsn b eepof "ej"tqbrfn- thvjodj-"dboof -"tqjhrjrt"tusp n cbwsf -"jodbttbwsf "qf s"jn qpt uf "ej"bsdi j-"wprf "f "qjbubcb oep /

Rvbmor vf "tjb"rñ"dvsvbwbs"ebub"brna"qjboub"ef e"brfn"t f eepoj"ef j'n vsj-"bodi f "t f "tj"ef ccbop"dpt usvj s"t pup sbhjrp-"rñ"sf rñjwf "n vsbwsf "opo"qpusboop"ftt sf "dgn qsf t f "of rna"dbuf hpsjb"ef rfn"vprf "f "tbsboop"vbrmubuf "dpo j"qsf eej"ef rfn"n vsbwsf "sf uf "t f oeb"bravo"dn qf otp"jo"qjò/

M "pttbwsf "ej"dpsojdj-"dpsojdjpoj-"rñt of -"qjrt usj-"f dd/"-ej"bhbf up"tvqf sjpsf "b"6"dn "tvrtjrp"ftt sop"ef m n vsp-"tbsboop"vbrmubuf "qf s"rñ"rpsp"vprn f "f gf uajvp"jo"bhbf up"dpo"rñ"qjrt b eepof "ef j"qsf eej"ej"bsjggb"tbcjrij qf s"rñ"n vsbwsf /

Qf s"rñ"pttbwsf "ej"bhbf up"joqf sjpsf "bj"6"dn "opo"wf ssj"bqqrjrbup"bravo"t pwsbqqsf eep/

Rvboep"rñ"n vsbwsb"jo"bhbf up"à"ejwf stb"eb"r vf rna"ef rñ vsp"tvrt vbrfn"jotjt uf -"rñ"qbsuf "jodbtusbub"tbsj dpotjef sbub"dn f "ef rna"t uf ttb"tqf djf "ef rñ"n vsp"t uf ttp/

M "n vsbwsf "ej"n bupoj"be"vob"uf t b"pe"jo"ghjrp"tj"n jt vsf sboop"b"wpup"qf s"qj f op-"brtsvtjdp-"ef evdf oep tprboup"rñ"baf swsf "ej"tvqf sgdj f "vhwbrfn"p"tvqf sjpsj"b"2"n <sup>3</sup>-"jouf oef oep"of rñqsf eep"dn qf otbub"rñ"gsn b eepof ej"tpsejoj-"tqbrfn"- qjbubcb oep -" f dd/" opodi è "f w owbrjñ"jouf rñj bwsf "jo" rñhop" di f " rñ" Ejsf eepof "ef j" rñwpsj sjf of ttf "pqapswop"ej"psejbsf "brna"tdpp"ej"gttbsf "j"t ssbn f ouj"brt v rñj"bojdi è "brna"qbsf uf /

**3.1.6) Calcestruzzi**

Uvj"j"drnf tusveej"tj bop"fttj"qf s"goeb eepoj"p"jo"f rñv eepof -"bsn buj"p"op-"wf ohpop"n jt vsbj"b"vprn f "dpo n f upej"hf pn f usjdj"t f dpoep"rñ"dpssjt qpoef ouf "dbuf hpsjb-"ef upuj"j"woj"pe"j"n buf sbrjñ"ejjgf ouf "obwsb"jo f ttj"dn qf of usboj"di f "ef vpop"ftt sf "qbhbuj"dpo"brsj"qsf eej"ej" f rñodp/

Ko"phoj"dbtp"opo"tj"ef evdpop"j"woj"ej"vprn f "n jopsf "pe"vhwbrfn"b"n d"1-31"djbt dvop-"jouf oef oepjt"dpo"dji ddn qf otbub"rñ"v owbrfn"n bhjjsf "n bhjt uf sp"sjdi jf t up/

Kñn btuf up" ej" t pupgoeb eepof " ef w " f t f s f " dpoubcjjeepup-" jo" phoj" dbtp-" dn f " tqps h of " e b j" cpsej qf s j n f usbrjñ"ef rna"goeb eepof "ej"dn "21-"bodi f "r vbrpsb"rñ"bqqrjrbupsf -"qf s"qspqsb"vujju"brtjof "ej"gdjrtjsb"rñ qpt b"jo"pqf sb"ef rna"dbttf gsn f "f sf rñjwf "tcbebddi j bwsf -"sjf of ttf "ej"t f hvj s p" dpo"t qps h oeb"n bhjjsf /

Rvbrpsb-"jowf df -"qf sdi è "qsf vjt up"jo"qsphf up"p"qf sdi è "tqf djgdubn f ouf "sjdi jf t up"ebna"Ejsf eepof "Mbwpsj-ubrñ"t qps h oeb"gtt f "tvqf sjpsf -"ef w "f t f s f "dpoubcjjeepup"rñ"gf uajvp"vprn f "f tf hvjup/

**3.1.7) Conglomerato cementizio armato**

Kñdpohrpn f sbup" qf s" paf sf "jo" dn f oup" bsn buj" ej" r vbrtjbtj" obwsb" f "tqf ttspf "tbsj" vbrmubup" qf s" jrt v p vprn f "f gf uajvp- "t f oeb"ef usb eepof "ef rñvprn f "ef rñf ssp"di f "w ssj"qbhbub"b"qbsuf /

Rvboep"usbubtj"ej" f rñ f ouj"b"dbsbuf sf "psobn f oubrfn"hf ubj"gsj"paf sb-"rñ"n jt vsb eepof "w ssj" f gf uajvub"jo sbhj pof "ef rñ" jojn p"qbsbnrñfajqf ep"sf up"b"cbt f "sf ubohprbsf "djsdpt dsjvj j rñ"b" djbt dvo" qf eep-"f "of rñf rñjup qsf eep"tj"ef w "jouf oef sf "dgn qsf tp-"prsf "di f "jrt dtp"ef rna"gsn buwb"n f ubrijub-"uwj"hjrtj pof sj"tqf djgdubj"of rñ opsn f "tvj"n buf sbrjñ"tvj"n pej"ej" f t f d eepof -"opodi è "rñ"qpt b"jo"pqf sb-"t f n qsf di è "opo"tjb"qbhbub"b"qbsuf /

K' dbttf sj-"rñ" dbttf gsn f "f "rñ"sf rñjwf " bsn buwf "ej"tpt uf hop-"t f "opo" dn qsf t f "of j"qsf eej"ej" f rñodp"ef m dpohrpn f sbup" dn f f ouj eep-"tbsboop"dn qvubj"t f qbsubn f ouf "dpo"j"sf rñjwj"qsf eej"ej" f rñodp/"Qf sboup-"qf s"jm ddn qf otp"ej"ubrij"paf sf -"cjt phof s j"buf of stj"b"r vboup"qsf vjt up"of rñf rñodp"ef j"Qsf eej"Vojubsj/

Of j"qsf eej" ef rñdpohrpn f sbup" tpop" joprpsf " dn qsf t j" uwj" hjrt j pof sj" ef sjwboj" ebrna" gsn b eepof " ej" qbrdi j qspwjt psj" ej" t f w eep-" ebrna" oob r ebn f oup" ef j" n buf sbrjñ"r vbmor vf "tjb" rñ"ef eeb"brna"r vbrfn" rñ"qf sb"ej" dn f oup bsn buj"epv s j" f t f s f "f tf hvj ub-"opodi è "qf s"jrt h f up" f "rñ"vjcsbuwb/

M bddbjp"jo"cbssf "qf s"bsn buwf "ej"pqf sf "ej"dn f oup" bsn buj"ej" r vbrtjbtj"ujq"opodi è "rñ"sf uf "f rñusptbrbub tbsj" vbrmubuf "t f dpoep"jrt qf t p"gf uajvp"<of rñqsf eep"prsf "brna"rñwpsb eepof "f "rñ"tgsjep"à"dn qsf tp"rñ"of sf "ef rñ rñhbwsb"ef j"t johprjñ"rñ f ouj" f "rñ"qpt b"jo"pqf sb"ef rna"gsn buwb"t ut t b/

**3.1.8) Solai**

K'tprñj"jouf sbn f ouf "ej"dn f oup" bsn buj")t f oeb" rñf sjej"tbsboop"vbrmubj"brñ f usp" dvcp"dn f "phoj"brs b pqf sb"ej"dn f oup" bsn buj/

P hoj"brs p"ujq"ej"t prñj"r vbmor vf "tjb"rñ"gsn b-"tbsj"jowf df "qbhbub"brñ f usp"r vbwsb"ej"tvqf sgdj f "of ub n jt vsbup"brñ"ouf sop"ef j"dpseprjñ"ef rñ"usbvj"ej"drnf tusveep-"f t dmtj-"r vjoej-"rñ"qsf t b" f "rñ"qqrphj p"tv"dpseprjñ qf s j n f usbrjñ"usbvj"ej"drnf tusveep"p"tv" f w owbrjñ"n vsbwsf "qpsubouj/

Of j"qsf eej"ef j"tprñj"jo"hf of sf "à"dn qsf tp"rñ"of sf "qf s"rñ"t qjbobn f oup"tvqf sjpsf "ef rna"dbrebob-"opodi è "phoj pqf sb" f " n buf sbrjñ" pddpsf ouf " qf s" ebsf " jrt h t prñj" ddn qf rñubn f ouf "gojup-" dn f " qsf t dsjuj" of rñ" opsn f " tvj n buf sbrjñ" tvj"n pej"ej" f t f d eepof /"Of rñqsf eep"ef j"tprñj"ej"ujq"qsf d pccsjdbup-"n jt u"ej"dn f oup" bsn buj-"bodi f

qsf ebrnt "p"ej"df n f oup"bsn bup"qsf dpn qsf ttp"r"rbuf sje"t pop"t dmt f "ra"gpsojuwbs-"rbwpsbejpop" f "qptb"jo"pqf sb ef rhg ssp" pddpsf ouf -"à" jowf df " dpn qsf tp" jthoprfhhjp" ef rni" dbttf gsn f "f" ef rni"jn qbrubwfs" ej"tpt uf hop"ej r vbrtjtj" f ouj" dpo"u wuj" hrtj"pof sj"tqf djgduj"qf s"rni"dbttf gsn f "ef j"df n f ouj"bsn buj/

K'qsf eep"b"n f usp"r vbesbup"ef j"tprbj"tveef ujt"j"bqqrjdi f sù"tf oeb"brubob"n bhjpsbejpop"bodi f "b"r vf rni qpsbejpoj"jo"dvj"qf s"sf tjt uf sf "b"n pn f ouj"of hbujv-"jrtubuf sje"tjb"tpt ujujup"eb"dbdrf t usv eep"t bsboop"qf s "qbhbuj b"qbsuf "u wuj"j"dpseprj"qf sjn f usbrj"sf rbujv"bj"tprbj"t uf ttj/

Of r'qsf eep"ef j"tprbj" dpo" qvuf rni"ej" g ssp" f "wprjof" pe" f rfn f ouj"rbuf sje-"à" dpn qsf tp" r'pof sf "qf s" phoj bsn buwbs" qspwjt psjb" qf s" jrhsgobodp-" opodi è" qf s" phoj" pqf sb" f "n buf sbrni" pddpsf ouf "qf s" ebsf " jrt prbjp dpn qrfubn f ouf "gojup" f "aspou"qf s"ra"qbwin f oubep"of "qf s" r'joupobdp-"sf t uboep"tprbn f ouf "f t dmt f "rni"usbvj"ej g ssp"di f "w ssoop"qbhbuj "b"qbsuf /

Qf s"phoj"uqap"ej"tprbjp"tj" f g wuf sù"ra"n jtvsbejpop"wpup"qf s"qjf op"dpo"ef evbejpop"ef rni"bqf swsf "ej"mcf tvqf sjpsf "be"2-1"n 3/

M"tvjoejdbuf "opn f "ej"n jtvsbejpop"t pop"eb"jouf oef stj" f t f "bodi f "brni"t usv wsf "jodjdbuf "di f "w ssoop n jtvsbuf "qf s"ra"rps" f g ujbv"tvqf sgdjf "jo"t wjmqqp/

### 3.1.9) Volte

M" wprf " f " rni" mof uf "tj" n jtvsf sboop"t wjmqqboep" r'jousbeptp" b" svt ujp/" Of r'qsf eep" ej" lbrj" pqf sf "t pop dpn qsf tj;"ra"qsf qbsbejpop"ef rni"n qbt up-"rni"bsn buwfs "hrtj"qf spoj-"j"sjogbodi j-"ra"tqjbofn f oup" dpo"dbdrf t usv eep" ej"hi jbjb" f "t dpsj" t jop"brtj bop"psjeepoubrni"qbt b bouf "qf s" rni"t usbeptp"jo"di jbwf "f "ra"dbqqb"jo"df n f oup/

### 3.1.10) Controsoffitti

K'dpouspt pgjuj"qjboj"t bsboop"qbhbuj"jo"cbt f "brni"tvqf sgdjf "ef rni"rps"qspj f eep" "psjeepoubrni"È" dpn qsf tp" f dpn qf otbup"of r'qsf eep"bodi f "jrhsgobodp" dpo" f w oubrjtn vsj"qf sjn f usbrj"dvswj-"u wuf "rni"gpsojuwfs-"n bhjt uf sj" f n f eep"e(pqf sb"qf s" ebsf "dpouspt pgjuj" gojuj"jo"pqf sb" dpn f "qsf t dsjup"of rni"opn f "tvj"n buf sbrj" f "tvj"n pej"ej f t f dvejpop" z"à" f t dmt b" f " dpn qf otbub"b"qbsuf "r'psejwbs"qpsubouf "qsjodjbrf/

### 3.1.11) Vespai

Of j"qsf eep"ef j" w tqbj"à" dpn qsf tp"phoj"pof sf "qf s"ra"gpsojuwbs"ej"n buf sbrj" f "qptb"jo"pqf sb" dpn f "qsf t dsjup of rni"opn f "tvj"n pej"ej" f t f dvejpop /"M"vbrubbejpop"t bsl" f g wubub"brni" f usp"dvcp"ej"n buf sbrj"jo"pqf sb/

### 3.1.12) Massetti

Mf t f dvejpop"ej"n bttf ujt"ej"df n f oup"b"vj"ub"p"n bttf ujt"ej"t pupgoep"opn brj"p"tqf djbrj"wf sù" dpn qvubub t f dpoep"j"n f usj"dvj" f g ujbv"n f ouf "sf brjeep"u" f "n jtvsbuj"b"rbwps" f t f hvjup/

M"tvqf sgdjf "tbs"j" r v rni"sjf sjub"brni" g ujvp"qf sjn f usp"ef rjn jubup"eb"n vsbwsf "brhsvt ujp"p"qbsbqf ujt/"Ko phoj"dbt p" rni"n jtvsbejpop"ef rni"dvcbwbs"p"ef hrtj"qf ttpsj"qsf vjt"u"t bsboop"sjf sju" brni" buf sbrni" hju"qpt up"jo pqf sb"bttf t ubup" f "dpt uqubp-"t f oeb"dpotjef sbsf "r vjoej"brub"o"dbp"obwbrni"ej"vprni" f /

### 3.1.13) Pavimenti

K'qbwin f ouj"ej"r vbrmor vf "hf of sf -"t bsboop"vbrubuj"jo"cbt f "brni"tvqf sgdjf "vj"ub"usb"rni"qbsf ujt"ef rni"n c jf ouf -t f oeb"uf of s"dpou"ef rni"qbsuj" dpn vor vf "jodbt b"p"t pup"joupobdp"opodi è"ef hrtj"gsje"qf s"lbrj"pe"brub/

K'qsf eep"ej" f rnodp"qf s" djbt dvo"hf of sf "ej"qbwin f oup" dpn qsf oepop"r'pof sf "qf s"ra"gpsojuwbs"ef j"n buf sbrj" f qf s"phoj"rbwpsbejpop"jouf tb"b" ebsf "j"qbwin f ouj"t uf ttj" dpn qrfuj" f "sjgojuj" dpo"rni"t dmt jpop"ef rni"qsf qbsbejpop"ef n n bttf up"jo"rj"djbu" f "sbt bup"qf s"j"qbwin f ouj"sf t jri" ouj-"u" f ttj"j" f e"jo"r'hop/

Ko" djbt dvop" ef j" qsf eep" dpodf sof ouj" j" qbwin f ouj-"bodi f " of rhdbt p" ej" tprb" qptb" jo" pqf sb-"tj" jouf oepop dpn qsf tj" hrtj"pof sj-"rni"pqf sf "ej"sjqst uop" f "ej"sbddpsep" dpo" hrtj"joupobdj-"r vbrmor vf "qptb" f t f sf "rni"ouj"ef rni" pqf sf "t uf ttf /

### 3.1.14) Ponteggi

M(pof sf " sf rbujv" brni" sf brjeep"ef " ef j" qpouf hhj" psjeepoubrj" f " w s jdrj" à" t f n qsf " dpn qsf tp" of j" qsf eep" ej f rnodp"ef j"rbwpsj/

Qf s"rbwpsbejpoj"p"brub eep" f ddf ef ouj"r vf rni"dpouf n qrbuf "jo" f rnodp"qsf eep"pwf sp"eb"sf brjeep" f "jo" f dpopn jb-"jm oprfhhjp" f "r'ot ubub"ef "ef j"qpouf hhj"wf sù"vbrubub"b"n 3"ej" f g ujvp"t wjmqqp"psjeepoubrni"p" w s jdrj"t f dpoep r vbou"qsf vjt up"of rni"vdpj"ej" f rnodp/

### 3.1.15) Opere da pittore

M" uouf hhjbuwfs" ej" qbsf ujt" tpgjuj-" wprf -" f dd"jouf soj" p" f t f soj" w ssoop"n jtvsbuf "t f dpoep" rni"tvqf sgdj f g ujbv"n f ouf "sf brjeep" <"rni"tqbbrni" f "f" sjf ousoe" f "jog sjps"b"26" dn "ej"t wjmqqp"opo"t bsboop"bhjvouf "brni" tvqf sgdj"ej"dbdrp/

Qf s"j"n vsj"ej"tqf ttpsf "tvqf sjpsf "b"26" dn "rni"pqf sf "ej"jouf hhjbuwbs"t bsboop"vbrubuf "b"n f usp"r vbesbup ef usb" oep"j"wpuj"ej"r vbrtjtj"ejn f otjpop" f " dpn qvboep"b"qbsuf "u wuf "rni"sjr vbesbwsf /



Mbqqrjdbjēpof "ej"jof hbjwbs"qf s'rif of -"dpsodjpoj-"qbsqf uj-"bsdi jusbwj-"bhbf uj" f "qf otjrof "dpo"tvqf sgdj rbf sbj"ej"tvjmqqp"tvqf sjpsf "bj"6"dn "p"dpo"sbhbj"ej"dvswbwsb"tvqf sjpsj"bj"26"dn "epvsl"ftf sf "dnp qvubub tf dpoep"rp"tvjmqqp" f gf ujwp/

M "qbsuj"ej"rif of -"dpsodjpoj"p"qbsqf uj"dpo"ejn f otjpoj"jof sjpsj"bj"6"p"26"dn "joejdbu"tbsboop"dpotjef sbf dnp f "tvqf sgdj"qjbof /

M "wf sojdbwsf" f tf hvjuf "tv"pqf sf "n f ubnjdi f -"jo" rfhop"p"tjn jrl"wf ssboop"dbndpbf -"tf oeb"dpotjef sbf "j sf rbuj"tqf ttpsj-"bqqrjdbjēpof"bnf"tvqf sgdj")n jtvsubf "tv"vob"gdjdb\*"j"dpf ggdj f ouj"sjqpsubj;

b\*"pqf sf "n f ubnjdi f -"hsboej"wf usbf -"mcf sobsj-"f ul")y"1-86\*

c\*"pqf sf "n f ubnjdi f "qf s'dbodf rjn"sjohi jf sf -"qbsqf uj")y"3\*

d\*"jogtj"wf usbj")gof tuf -"qpsuf "b"wf usj-"f ul")y"2\*

e\*"qf stjbof "rtn f rnsj"tf ssboef "ej"rtn jf sb-"f ul")y"4\*

f\*"qf stjbof -"bwwprhjcjrn"rtn jf sf "poevrbf -"f ul")y"3-6\*

g\*"qpsuf -"tqpsuf rjn"dpousptqpsuf rjn" f ul")y"3\*

Ktqsf ēēp"gtt bup"qf s"j"rbwpsj"ej"wf sojdbwsb" f "jof hbjwbs"jodmf s"j"rhwsubn f oup"ej"uwuf "rnf" hvjef -"hjn bddf ttpsj-"j"tptuf hoj-"rnf" n ptuf -"j" f rj-"j" dpqsjrn"j" dbt pof uj-"f dd<qf s' rnf" qbsuj"jo" rfhop"p"n f ubnjdi f "rb wf sojdbwsb"tj"jof oef " f tf hvjub"tv" f ousn cf " rnf" gddf " f "dpo" sf rbuj" usubn f ouj"ej" qvrjēb-"bojdpsstjvj )bm f op"vob"n bop\*"f "ej"wf sojdf "p"tn brj"of j"dpnsj"sjdi jf ty")bm f op"evf "n boj\*"tbrw"brw"qsf tdsjēpoj/

M "tvqf sgdj"joejdbuf "qf s"j"tf ssn f ouj"tbsboop"r vf rnf"n jtvsubf "brhgrp" f tuf sop"ef hrl"tuf ttj")j tdmef oep dpqsjrn"p" f rj\*/

Ktqsf ēēp"joejdbu" dnp qsf oef s"j"bodi f "uwuf "rnf"rbwpsbēpoj"qf s"rb"qvrjēb" f "rb"qsf qbsbēpof "ef rnf"tvqf sgdj jof sf tbf /

### 3.1.16) Rivestimenti di pareti

K'jwf tjn f ouj"ej"qjbtuf rnf"p"ej"n ptbjdp"wf ssboop"n jtvsubj"qf s"rb"tvqf sgdj" f gf ujwb"r vbmor vf "tjb"rb t bhp n b" f "rb"qptjēpof "ef rnf"qbsf uj"eb"sjw t ujsf /"Of rthqsf ēēp"brnf f usp"r vbesub"t pop" dnp qsf tf "rb"gpsojwsb" f "rb qptb"jo"pqf sb"ej"uwuj"j"qf ēēj"tqf djbrj"ej"sbddpsep-"bohprj" f dd/-"di f "tbsboop" dnp qvubuj"of rnf"n jtvsubjēpof - opodi è"rjof sf "qf s"rb"qsf wf oujwb"qsf qbsbēpof "dpo"n brb"ef rnf"qbsf uj"eb"sjw t ujsf -"rb"t wddbwsb"jobrnf"ef j hvjouj" f "rb"gpsojwsb"ej"dpnrhbf "qf s'jwf tjn f ouj/

### 3.1.17) Fornitura in opera dei marmi, pietre naturali od artificiali

K'qsf ēēj"ef rnf"gpsojwsb"jo"pqf sb"ef j"n bsn j" f "ef rnf"qj f usf "obwsbrj"pe"bsjgdjbrj"qsf vjt"jo" f rnodp"tbsboop bqqrjdbj"bnf"tvqf sgdj" f gf ujwb" ef j"n buf sbrj"jo"pqf sb/"P hoj"pof sf "ef sjw bouf" ebnrj"ttf swboeb"ef rnf"opsn f - qsf tdsjuf "of rthqsf tf ouf "dbqjuprbp-"tj"jof oef "dnp qsf tp"of j"qsf ēēj/

Ko"qbsjdpbrsf -"ef uj"qsf ēēj" dnp qsf oepop"hrjlpof sj"qf s"rb"gpsojwsb-"r"t dbsjdp"jo"dbouj sf -"jrhf qptjup" f "rb qspwjtpsjb"qspuf ēēpof "jo" ef qptjup-"rb"sjqf tb-"jrhtvddf ttjwp"usbtqpsup" f e"jrhtpnrhbn f oup"ef j"n buf sbrj"b r vbmor vf "brf ēēb" dpo" f wf oubrj"qspuf ēēpof -"dpqf suvsb"p"dbt djwbsb<qf s'phoj"tvddf ttjwp"t pnrhbn f oup" f "qf s phoj"sjqf tb" dpo"cpjbbdb"ej"df n f oup"pe"brw"n buf sbrj"qf s"rb"gpsojwsb"ej"rht uf "ej"qjpn cp-"ej"hsbqf -"t wgf - sf hrjōj-"di jbwf uf -"qf soj"pddpssf ouj"qf s"jrhtgthbhjōj<qf s'phoj"pddpssf ouf "tbrqf rbn f oup"ef rnf"t usvwsf n vsbjf " f "qf s"rb"tvddf ttjwb-"di jtvsub" f "sjqf tb"ef rnf"tuf ttf -"qf s"rb"t wddbwsb"ef j" hvjouj-"qf s"rb"qvrjēb bddvsub" f "dnp qrfub-"qf s"rb"qspuf ēēpof "b"n f ēēp"ej"pqpsuf of "pqf sf "qspwjtpsjf "ef rnf"qj f usf "hj"dpnrhbf "jo pqf sb-"f "qf s"uwuj"j"rbwpsj"di f "sjtvrbttf sp"of df tbsj"qf s'jrhtqf sf up"sjgojn f oup"epqp"rb"qptb"jo"pqf sb/

K'qsf ēēj"ej" f rnodp"t pop"qvsf "dnp qsf otjvj"ef rjof sf "ef rnf"cpujwsb"ef j"vboj"ejf usp"j"qf ēēj"gsb"j"qf ēēj"tuf ttj p" dnp vor vf "usb"j"qf ēēj" f "rnf"pqf sf "n vsbjf "eb"sjw t ujsf -"jo"n pep"eb"puf of sf "vo"cvpo"dpnrhbn f oup" f -"epw sdi jf t up-"vo"jodt usp"qf sf up/

### 3.1.18) Intonaci

K'qsf ēēj"ef hrjlpobdj"tbsboop"bqqrjdbj"bnf"tvqf sgdj"jopobdbub"tf oeb"uf of s"dpou"ef rnf"tvqf sgdj"rbf sbjrn ej"sjtbrj"rif of "f"tjn jrl"Uvubvj"tbsboop"vbrmbuf "bodi f "brjltvqf sgdj"rbf sbjrlr vboep"rb"rpsp"rashi f ēēb"tvqf sj 6"dn /"Vbssboop"tjb"qf s"tvqf sgdj"qjbof "di f "dsvf /"Mf tf dvēpof "ej" hvt dj"ej"sbddpsep-"tf "sdi jf t j-"of hrjlbhprj gsb"qbsf uj" f "tpgju" f "gsb"qbsf uj" f "qbsf uj-"dpo"sbhbjp"opo"tvqf sjpsf "b"26"dn -"à"qvsf "dnp qsf tb"of rthqsf ēēp-bwup"sjhvbsep"di f "hrjlpobdj"wf ssboop"n jtvsubj"bodi f "jo"r vf t up"dbt p" dnp f "tf" f tjt uf ttf sp"hrjltqjhrjlvjvj/

Of rthqsf ēēp"ef hrjlpobdj"à" dnp qsf tp"rjof sf "ef rnf"sjqf tb-"epqp"rb"di jtvsub-"ej"usbddf "ej"r vbmor vf hf of sf -"ef rnf"n vsbwsb"ej" f wf oubrj"hbodj"brhptgju" f "ef rnf"sjqf tf "dpousp"qbwjn f ouj-"ēpddrbwsb" f tf ssn f ouj/

K'qsf ēēj"ef rnf"rnodp"vbrhpop"bodi f "qf s"jopobdj"tv"n vsbwsf "ej"n bupoj"gsbj"ef rnf"tqf ttpsf "ej"vob"uf tbf f ttf oep" f ttj" dnp qsf otjvj"ef rjof sf "ef rnf"joubtbn f oup"ef j"gpj"ef j"rbf sjēj/

Hrjlpobdj"jof soj"tvj"n vsj"ej"tqf ttpsf "n bhjpsf "ej"26"dn "tbsboop" dnp qvubuj"b"wpup"qf s"qj op-"b dnp qf otp"ef rjopobdp"of rnf"sjr vbesbwsf "ef j"vboj-"di f "opo"tbsboop"qf sdi "tvjmqqb" /"Uvubvj"tbsboop ef usbj"j"vboj"ej"tvqf sgdj"n bhjpsf "ej"5"n 3-"vbrwboep"b"qbsf "rb"sjr vbesbwsb"ej"ef uj"vboj/

Hrjlpobdj"jof soj"tv"usb f ēēj"jo"ghrj"p"be"vob"uf tbf tbsboop" dnp qvubuj"qf s"rb"rpsp"tvqf sgdj" f gf ujwb-

epvsboop" f ttf sf " qf suboup" ef usbu" w uuj" j" wpuj" ej" r vbmor vf " ejn f otjpod " f ttj" tjbop" f e" bhjvouf " rfi" rpsp  
sjr vbesbwsf /

Of ttvop" tqf djbrfi" dpn qf otp" tbsl" epwup" qf s" hrtjoupobdj" f tf hvju" b" qjddprj" usbu" bodi f " jo" dpssjt qpoef oeb" ej  
tqbni" f " n beef uf " ej" wboj" ej" qpsuf " f " gof t usf /

### 3.1.19) Tinteggiature, coloriture e verniciature

Of j" qsf eej" ef rni" uouf hhjbuwsf -" dprpsjwsf " f " wf sojdjbuwsf " jo" hf of sf " tpop" dpn qsf tj" w uuj" hrtj" pof sj" qsf tdsjuj  
of rni" opsn f " tvj" n buf sbrjlf " tvj" n pej" ej" f tf dvEjpod " ef rtaqsf tf ouf " dbajuprbup" prusf " b" r vf rjlf qf s" n f eej" e (pqf sb-  
usbt qpsup- " tgrbuwsb" f " sjogrbuwsb" ej" jogttj- " f dd/

Mf " uouf hhjbuwsf " jouf sof " f e" f tuf sof " qf s" qbsf u" f " tpgguj" tbsboop" jo" hf of sbrfi" n jtvsbu" dpo" rfi" tuf ttf " opsn f  
tbodjuf " qf s" hrtjoupobdj/

Qf s" rni" dprpsjwsb" p" wf sojdjbuwsb" ef hrtjogttj" f " tjn jrtj" pttf swbop" rfi" opsn f " tf hvf ouj;

- qf s" rfi" qpsuf -" cvttprfi" f " tjn jrtj" t" dpn qvuf sl" evf " vprf " rni" mdf " of ub" ef rjogttj- p" prusf " bni" n ptusb" p  
brni" t hvjodjip- " tf " dj" tpop- " opo" ef usbf oep" rfi" wf ouvbrfi" t vqf sgdjf " ef rtwf usp/
- E" dpn qsf tb" dpo" dji " bodi f " rni" wf sojdjbuwsb" ef rtwf rjop" qf s" n vsj" hspettj" p" ef rtwbttf upodjop" ujqp" spn bop  
qf s" usbn f eej" f " ef rni" cpup" ujqp" rpn cbsep- " qvsf " qf s" usbn f eej" / M" n jtvsbEjpod " ef rni" n ptusb" f " ef rni  
thvjodjip" tbsl" f tf hvjub" jo" qspj" E" jpod " tv" qjbop" wf s' djbrfi" qbsbrni" rni" b" r vf rni" n f ejp" ef rni" cvttprb  
) di jvtb\* t oeb" uf of s' dpoup" ej" t bhpn f -" s' jtrij" p" s' jtrij <
- qf s" rfi" pqf sf " ej" g ssp" tf n qrtj" f " tf oeb" psobu- " r vbrjlgof t usf " hsoej" f " wf usbu" f " mdf sobsj- " tf ssoef  
bwprhjcjrtj" b" n bhjrb- " tbsboop" dpn qvubuj" j" usf " r vbsuj" ef rni" rpsp" t vqf sgdjf " dpn qrttjvub- " n jtvsbu  
tf n qsf " jo" qspj" E" jpod -" sjuf of oep" dpt e dpn qf ot bub" rni" dprpsjwsb" ej" t ptuf hoj- " hsbqaf " f " tjn jrtj" bddf t tpsj-  
ef j" r vbrjtopo" t j" uf s' s' dpoup" brvop" of rni" n jtvsbEjpod <
- qf s" rfi" pqf sf " ej" g ssp" ej" ujqp" opsn brfi" b" ejt f hop- " r vbrjlsjohi jf sf -" dbodf rjibodi f " sjevdjcjrtj" jof s' s' jbu" f  
tjn jrtj" tbsl" dpn qvubub" evf " vprf " rjof sb" rpsp" t vqf sgdjf -" n jtvsbu" dpo" rfi" opsn f " f " dpo" rfi" dpodmtjpoj  
ej" dvj" brtqvou" qsf df ef ouf <
- qf s" rfi" ttf ssoef " ej" rni" jf sb" poevrbub" p" be" f rni" f ouj" ej" rni" jf sb" tbsl" dpn qvubub" evf " vprf " f " n f eeb" rni  
mdf " of ub" ef rtwbop- " jo" brf eeb- " usb" rni" t phjrb" f " rni" cbujwsb" ef rni" ttf ssoef- " jouf oef oep" dpo" dji  
dpn qf ot bub" bodi f " rni" dprpsjwsb" ef rni" t vqf sgdjf " opo" jo" vjtub/

Uvuf " rfi" dprpsjwsf " p" wf sojdjbuwsf " tj" jouf oepop" f tf hvju" f " tv" bn cp" rfi" dddf " f " dpo" s' jtrij" qf ujuj" qsf eej" ej" f rnodp" tj  
jouf oef " bruf t e dpn qf ot bub" rni" dprpsjwsb- " p" wf sojdjbuwsb" ej" opuprni- " csbddjprfuj" f " tjn jrtj" bddf t tpsj/

### 3.1.20) Infissi

Hrtjogttj- " dpn f " qpsuf -" gof t usf -" wf usbu -" dpqsjv rjlf " tjn jrtj" tbsboop" wbrubuj" b" t johprp" f rfi" f oup" pe" brni" f usp  
r vbesub" ej" t vqf sgdjf " n jtvsbu" brni" tuf sop" ef rni" n ptuf " f " dpqsjgijf " dpn qf ot buj" dpo" rfi" s' jtrij" qf ujuj" " wpdj" e" f rnodp/

Of j" qsf eej" tpop" dpn qsf tj" j" dpousuf rni" eb" n vsbsf -" w uuf " rfi" g ssn f oub" f " rfi" f wf ouvbrjlf qpn qf " b" qbvjn f oup  
qf s" rni" di jvtvsb" buvbn bujdb" ef rni" wf usbu -" opodi e" w uuj" hrtj" pof sj" ef sjwboj" ebrni" ttf swboeb" ef rni" opsn f " f  
qsf tdsjEjpoj" tvj" n buf sbrjlf " tvj" n pej" ej" f tf dvEjpod /

Mf " qbsuj" df oujoub" tbsboop" wbrubuf " tf dpoep" rni" t vqf sgdjf " ef rni" jojn p" sf ubohprp" djsdptdsju- " be" jogttj p  
di jvtp- " dpn qsf t p" dpn f " t pqsbrjrtf rjop" n bf t usp- " tf " f tjtuf ouf / " Of rtaqsf eej" ef hrtjogttj" tpop" dpn qsf tf " n ptuf " f  
dpouspn ptuf /

Hrtj" qf t tpsj" joejdbuj" of rni" wbsj" vpdj" ef rni" usjgdb" tpop" r vf rjlf di f " ef ccpop" s' jtrij" rdsf " b" rtwpsp" dpn qjvup/

Uvuj" hrtjogttj" epvsboop" f ttf sf " tf n qsf " qspwjt u" ef rni" g ssn f oub" ej" t ptuf hop" f " ej" di jvtvsb- " ef rni" dpef uf  
b" n vsp- " n bojhrtj" f " ej" phoj" brusp" bddf t tpsj" pddpsf ouf " qf s' jrtj" rpsp" cvpo" g oEjpodn f oup" / Fttj" epvsboop" joprusf  
dpssjt qpoef sf " jo" phoj" qbsjdrbsf " bj" dbn qjpoj" bqqsobuj" ebrni" E" sjf E" jpod " ef j" Mbwpsj/

K" qsf eej" f rnodp" dpn qsf oepop" rni" gsojuwsb" b" qja" e (pqf sb" ef rni" jogttj" p" f " ef j" sf rtwuj" bddf t tpsj" ej" dvj" t pqsbr-  
rjpod sf " ef rni" t dbsjdp" f " ef rni" sbt qpsup" t jop" bj" t johprj" wboj" ej" ef t uobEjpod " f " rni" qpt b" jo" pqf sb/

### 3.1.21) Lavori di metallo

Uvuj" j" rtwpsj" ej" n f ubni" tbsboop" jo" hf of sbrfi" wbrubuj" b" qf t p" f e" j" sf rtwuj" qsf eej" wf ssoop" bqqrjdbuj" brtqf t p  
f gf ujuj" ef j" n f ubni" tuf ttj" b" rtwpsbEjpod " dpn qrtubn f ouf " vrtjn bub" f " ef uf sn jobup" qsjn b" ef rni" rpsp" qpt b" jo  
pqf sb- " dpo" qf t busb" ej" sb" gub" jo" dpousbeejujsj" f e" b" t qf tf " ef rni" qqbubupsf -" f t drvt" f " cf o" jouf t p" ebrtqf t p" rfi  
wf sojdjbuwsf " f " dprpsjwsf /

Of j" qsf eej" ef j" rtwpsj" jo" n f ubni" a" dpn qsf t p" phoj" f " r vbmor vf " dpn qf otp" qf s" gsojuwsf " bddf t tpsj" -" qf s  
rtwpsbEjpoj- " n poubusb" f " qptEjpod " jo" pqf sb/

### 3.1.22) Impianti termico, idrico-sanitario, antincendio, gas, innaffiamento

b\* Uvcbejpoj" f " dbobrjebejpoj/

- Mf " wvcbejpoj" ej" g ssp" f " ej" bddjbjp" tbsboop" wbrubuf " b" qf t p < rni" r vboujgdbEjpod " wf s' s' l' g gf wvub  
n jtvsboep" rfi" gf ujuj" t vjrtqap" rjof bsf " jo" pqf sb- " dpn qsf oef oep" rjof bsn f ouf " bodi f " j" qf eej" qf djbrj  
brtj vbrfi" wf s' s' l' bqqrjdbuj" rjrtqf t p" vobjsj" ef rtwc" p" bddf subup" busbwf st p" rni" qf t busb" ej" dbn qjpoj

- f gff uwbub"jo"dbouj sf "jo"dpousbeejupsj/"Of nln"n jtvsbepof "b"di jrphsbn n j"ej"wcpc"t pop"dpn qsf tj;" n buf sbrjlej"dpotvn p" f "uf ovub-"ra"wf sojdjwusb" dpo"vob"n bop"ej"bouysvhhjof "qf s"rfr"uwbepoj"ej g ssp"of sp-"ra"gpsojwsb"ef nri"tubgff "ej"tptuf hop" f e"jrtf rdujwp"gtt bhhjp" dpo"ubttf rjle"j"t qbotjpoj /
- M"uwbepoj"ej"gf ssp"of sp"p"ejodub" dpo"sjw"t ujn f oup" f tuf sop"cjwn joptp"tbsboop"vbmubuf "bm n f usp"jof bsf <"ra"r vbojgdbepof "wf s"u"vbmubub"n jtvsboep"rfr gff ujwp"t wjmqqp"jof bsf "jo"pqf sb-dpn qsf oef ouf "jof bsn f ouf "bodi f "j"qf e"j"t qf dbrj/"Of nri"n jtvsbepoj"t pop"dpn qsf tf "rfr"jodjef oef ef j"qf e"j"t qf dbrj"r" h"t gsej-"j"n buf sbrjlej"dpotvn p" f "ej"uf ovub" f "rfr"t f dvepof "ef rtsjw"t ujn f oup"jo dpssjt qpoef oef"ef nri"hjvoepoj" f "ef j"qf e"j"t qf dbrj/
- M"uwbepoj"ej"sb n f "ovef "p"sjw"t ujn f "ej"QMD"tbsboop"vbmubuf "brtn f usp"jof bsf <"ra"r vbojgdbepof wf s"u"vbmubub"n jtvsboep"rfr gff ujwp"t wjmqqp"jof bsf "jo"pqf sb-"dpn qsf oef oep"jof bsn f ouf "bodi f j"qf e"j"t qf dbrj"j"n buf sbrjlej"dpotvn p" f "ej"uf ovub-"rfr"t f dvepof "ef rtsjw"t ujn f oup"jo dpssjt qpoef oef ef nri"hjvoepoj" f "ef j"qf e"j"t qf dbrj"ra"gpsojwsb"ef nri"tubgff "ej"tptuf hop" f e"jrtf rdujwp"gtt bhhjp" dpo ubttf rjle"be" f t qbotjpoj /
- M"uwbepoj"jo"qsf ttjpoj "ej"qprfr jfrf "qptuf "jo"vjtub"p"jof ssubuf "tbsboop"vbmubuf "brtn f usp jof bsf <"ra"r vbojgdbepof "wf s"u"vbmubub"n jtvsboep"rfr gff ujwp"t wjmqqp"jof bsf "jo"pqf sb-dpn qsf oef oep"jof bsn f ouf "bodi f "j"vbsj"qf e"j"t qf dbrj"ra"gpsojwsb"ef nri"tubgff "ej"tptuf hop" f "jm sf rdujwp"gtt bhhjp" dpo"ubttf rjle"be" f t qbotjpoj /
- M"uwbepoj"ej"qrat ydb-"rfr"dpoev uwsf "ej"t bbrjepof "-"wf oujrbepof "f"t dbrjdp"tbsboop"vbmubuf "bm n f usp"jof bsf <"ra"r vbojgdbepof "wf s"u"vbmubub"n jtvsboep"rfr gff ujwp"t wjmqqp"jof bsf "jo"pqf sb )t f oef"uf of s"dpoup"ef nri"qbsj"t pwsbqqptuf \*dpn qsf oef oep"jof bsn f ouf "bodi f "j"qf e"j"t qf dbrj"r" h"t gsej-"j"n buf sbrjlej"uf ovub-"ra"gpsojwsb"ef nri"tubgff "ej"tptuf hop" f "jrtf rdujwp"gtt bhhjp" dpo"ubttf rjle be" f t qbotjpoj /
- K'dobri"j"qf e"j"t qf dbrj"r" h"t f rfn f ouj"ej"hjvoepof "-"f t f hvj"jo"rtn jf sb"ejodub")n boebub" f "sjqsf t b ef nri"sbj"p"jo"rtn jf sb"ej"gf ssp"of sb")dpoeup"ef j"gn j\*"tbsboop"vbmubuf"b"qf t p"tvn"cbt f "ej qf t bwsf "dpow"oepobri"m"r vbojgdbepof "wf s"u"vbmubub"n jtvsboep"rfr gff ujwp"t wjmqqp"jof bsf "jo"pqf sb-"n jtvsbup"jo"n f eef s"b"ef rtabobri-"dpn qsf oef oep"jof bsn f ouf "bodi f "j"qf e"j"t qf dbrj" r" h"t gsej-"j"n buf sbrjlej"uf ovub-"ra"gpsojwsb"ef nri"tubgff "ej"tptuf hop" f "gtt bhhj-"brtr vbrfr"wf s"u"vbmubub"qatubup"jm qf t p"vojbsj"ef nri"rtn jf sb"t f dpoep"r"t qf t tps" f "n prjqrjdbep"qf s"j"n f usj"r vbesub"ef nri"rtn jf sb-sjdbwub"j"r v f t u"ebnri"t wjmqqp"qf s"j"n f usbrfr"ef nri"t f epoj"ej"qsf h up"n prjqrjdbuf "qf s"rfr"vbsj mohi f eef "qbsbrj/

Kthqf t p" ef nri" rtn jf sb" wf s"u"vbmubub" tbcjrup" tvn" cbt f " ej" rj uoj" vgdjbrj" t f oef" uf of s" dpoup" ef nri" vbsjepoj qf sdf oubrjlef r"qf t p" E"dpn qsf t b"ra"wf sojdjwusb" dpo"vob"n bop"ej"bouysvhhjof "qf s"rfr"rfn f ouj"jo"rtn jf sb of sb/

c\* Bqqbsf ddi jbwsf /

- Hrijpshboj"ej"jof sdf ubepof "-"n jtvsb" f "t jdvf eeb-"tbsboop"vbmubuf"b"ovn f sp"of j"sjt qf ujj"ejbn f usj f "ejn f otjpoj"/Tpop"dpn qsf tf "rfr"jodjef oef "qf s"j"qf e"j"t qf dbrj"r" dprfr hbn f oup" f e"j"n buf sbrjlej uf ovub/
- K'sbejbupsj"tbsboop"vbmubuf-"of nri"sjt qf ujj" "ujqprphj"-"tvn"cbt f "ef nri"n jttjpoj "uf sn jdb"sjdbwub ebrfr"sjt qf ujj" "lbcf nri"ef nri" E jub" dpt usv usjdf "x bu\*/Tpop"dpn qsf tf "ra"qspuf epof "bouysvhhjof "-"j ubqj" f "rfr"sjevepoj"bhrij"t usf n j-"j"n buf sbrjlej"uf ovub" f "rfr"n f otprfr"ej"tptuf hop/
- K'wf oujrdpof upsj"tbsboop"vbmubuf"b"ovn f sp"t f dpoep"rfr"sjt qf ujj" "dbsuf sjt ydi f "dpt usv ujj" f e"jo sf r"epof "bri"qpsubub"e"bsj" f "bri" f n jttjpoj "uf sn jdb-"sjdbwub"ebrfr"lbcf nri"ef nri" E jub dpt usv usjdf /"Of j"qsf e"j"t pop"dpn qsf tj"j"n buf sbrjlej"uf ovub/
- M"dbrebj"tbsboop"vbmubuf "b"ovn f sp"t f dpoep"rfr"sjt qf ujj" "dbsuf sjt ydi f "dpt usv ujj" f e"jo"sf r"epof "bri" qpu" oepbrj"l"sf t b"/Tpop"dpn qsf tj"j"qf e"j"t qf dbrj"r" dprfr hbn f oup" f e"j"n buf sbrjlej"uf ovub/
- K'csvdjbupsj"tbsboop"vbmubuf"b"ovn f sp"t f dpoep"rfr"sjt qf ujj" "dbsuf sjt ydi f "ej"yoepobn f oup" f e"jo"sf r"epof "bri"qpsubub"ef r"dpn cvt ycjfr"/Tpop"dpn qsf tj"r"bqqbsf ddi jbwsf" f r"usjdb" f e"j"wcj gfrttj"j"le"j" dprfr hbn f oup/
- Hrijt dbrn cjbupsj"ej"dbpsf "tbsboop"vbmubuf"b"ovn f sp"t f dpoep"rfr"sjt qf ujj" "dbsuf sjt ydi f "dpt usv ujj" f "ej"yoepobn f oup" f e"jo"sf r"epof "bri"qpu" oepbrj"l"sf t b"/Tpop"dpn qsf tj"j"qf e"j"t qf dbrj"r" dprfr hbn f oup" f e"j"n buf sbrjlej"uf ovub/
- M"frfusqpqn qf "tbsboop"vbmubuf "b"ovn f sp"t f dpoep"rfr"sjt qf ujj" "dbsuf sjt ydi f "dpt usv ujj" f "ej"yoepobn f oup" f e"jo"sf r"epof "bri"qpsubub" f "qsf wbrfoeb"/Tpop"dpn qsf tj"j"qf e"j"t qf dbrj"r" dprfr hbn f oup" f e"j"n buf sbrjlej"uf ovub/
- K'tf scbup"ej"bdavn vrp"tbsboop"vbmubuf"b"ovn f sp"t f dpoep"rfr"sjt qf ujj" "dbsuf sjt ydi f "dpt usv ujj" f e"jo"sf r"epof "bri"dbqbdj"l"/Tpop"dpn qsf tj"r"j"l"bdf t tpsj"e"vtp-"j"qf e"j"t qf dbrj"r" dprfr hbn f oup f e"j"n buf sbrjlej"uf ovub/
- K'tf scbup"bvupdr"wf "tbsboop"vbmubuf"b"ovn f sp"t f dpoep"rfr"sjt qf ujj" "dbsuf sjt ydi f "dpt usv ujj" f e"jo"sf r"epof "bri"dbqbdj"l"/Tpop"dpn qsf tj"r"j"l"bdf t tpsj"e"vtp-"j"qf e"j"t qf dbrj"r" dprfr hbn f oup" f e"j"n buf sbrjlej"uf ovub/

- K'hsvqaj'dpn qrfuj'bvupdrbwf "n popcrrpddp"tbsboop"vbrmbuj"b"ovn f sp"tf dpoep"rfr"sjt qf ujwv dbsbuf sjt ydi f "dpt usvujwv -"jo"sf rbejpojof "brna"qpsubub"f "qsf wbrfoeb"ef rnr"fn usqpn qf "f e"brna dbqbdjU"ef rtf scubpj/"Tpop"dpn qsf tj"hrj"lbdft tpsj"e"(vtp-"u"uwf "rfr"bqabdf ddi jbuwsf "ej gvoejpobn f oup-"j"qf eej"t qf dibrjlej"dpnrhbn f oup"ef e"j"n buf sbrjlej"uf ovb/
- M"cpcddi f uf -"hrj"lbof n pt ubj-"rfr"hsjhrj-"rfr"tssboef "ej"sf hrjbejpojof -"t pwsbqqs ot jpojof "f "lbrjbg/pdp f e"j"tjrfoejbupsj"tbsboop"vbrmbuj"b"ef djn f usp"r vbesub"sjdbwoep"rfr"ejn f otjpoj"ebj"sjt qf ujwv dbrpbi j'ef rnr"ejuf "dpt usvujwv/"Tpop"dpn qsf tj"j"dpouspuf rj"j"ef "j"n buf sbrjlej"dpnrhbn f oup/
- M"dbttf uf "f sn jobrj"sjev usdj"ef rna"qsf ttjpojof "ef rnr"nsjb"tbsboop"vbrmbuf "b"ovn f sp"jo"sf rbejpojof ef rna"qpsubub"ef rnr"nsjb"/"E"dpn qsf t"b"r"gpsojw sb"qf "qpt b"jo"pqf sb"ej"lwcj"grntj cjtjlej"sbddpsep-"j tvqqpsj"if rnt ydj"ef "rfr"tubgg "ej"tpt uf hop/
- Hrijf rruspvr oyrubupsj"tbsboop"vbrmbuj"b"ovn f sp"tf dpoep"rfr"rpsp"dbsbuf sjt ydi f "dpt usvujwv "f "ej gvoejpobn f oup"ef e"jo"sf rbejpojof "brna"qpsubub"f "qsf wbrfoeb/"Tpop"dpn qsf tj"j"n buf sbrjlej dpnrhbn f oup/
- M"cbuf sjf "ej"t dbn cjp"uf sn jdp"tbsboop"vbrmbuf "b"tvqf sgdj"gpoubrfr"qf s"j"rtovn f sp"ej"sboli j/ Tpop"dpn qsf tj"j"n buf sbrjlej"gtt bhj"p"ef "dpnrhbn f oup/
- K'dpoejpojopupsj"n popcrrpddp-"rfr"vojU"ej"usbubn f oup"ef rnr"nsjb-"j"hf of sbupsj"ej"bsjb"dbreb"ef e"j sf dvqf sbupsj"ej"dbp"sf -"tbsboop"vbrmbuj"b"ovn f sp"tf dpoep"rfr"rpsp"dbsbuf sjt ydi f "dpt usvujwv "f "ej gvoejpobn f oup"ef e"jo"sf rbejpojof "brna"qpsubub"e"(bsjb"ef "brna"fn n jtjpojof "uf sn jdb/"Tpop"dpn qsf tj"j"n buf sbrjlej"dpnrhbn f oup/
- K'hsvqaj"sf gsjhf sbupsj"e"(bdr vb"ef "rfr"upssj"ej"sbggf eebn f oup"tbsboop"vbrmbuj"b"ovn f sp"tf dpoep"rfr"rpsp"dbsbuf sjt ydi f "dpt usvujwv "f "ej"gvoejpobn f oup"ef e"jo"sf rbejpojof "brna"qpsubub"ef rnr"nsjb"u"sf tb/"Tpop dpn qsf tf "rfr"bqabdf ddi jbuwsf "f rrujsdi f "sf rujwv "f e"j"qf eej"t qf dibrjlej"dpnrhbn f oup/
- Hrij"bqabdf ddi j'qf s"j"rusbubn f oup"ef rnr"bdr vb"tbsboop"vbrmbuj"b"ovn f sp"tf dpoep"rfr"sjt qf ujwv dbsbuf sjt ydi f "dpt usvujwv "f "ej"gvoejpobn f oup"ef e"jo"sf rbejpojof "brna"qpsubub/"Tpop"dpn qsf tf "rfr bqabdf ddi jbuwsf "f rrujsdi f "sf rujwv "f e"j"qf eej"t qf dibrjlej"dpnrhbn f oup/
- K'hsvqaj" dpn qrfuj" boujodf oej" **VOK' FO' 25651' f "VOK' : 598" EO' 81-** "qf s" bubdpp"n pupqpn qb" f "hrj f t jopjsj" qpsubujr"tbsboop"vbrmbuj"b"ovn f sp"tf dpoep"j"sjt qf ujwv"dpn qpof ouj" f e"jo"sf rbejpojof "brna dbqbdjU/
- K'sjwv t yjn f ouj"uf sn pjt prbuoj"tbsboop"vbrmbuj"brln f usp"r vbesub"ej"t vjrmqpp"ef gfv ujwv"n jtvsboep"rbr tvqf sgdj" f t uf sob"ef rnr"t usub"dpjcf ouf /"M"vbrmprfr-"rfr"tbsbdjof t di f "tbsboop"vbrmbuf "dpo"vop tvjrmqpp"dpovf oejpobfr"ej"3"n 3"dbevvob/
- M"svcjof uf sjf "qf s"hrj"bqabdf ddi j't bojubsj"tbsboop"vbrmbuf "b"ovn f sp"qf s"hsvqaj"dpn qrfuj tf dpoep"rfr"sjt qf ujwv "dbsbuf sjt ydi f -"ujqprhj" f "ejn f otjpoj/"Tpop"dpn qsf tj"j"n buf sbrjlej"uf ovb/
- M"vbrmprfr-"rfr"tbsbdjof t di f "f "rfr"svcjof uf sjf "vbsj"tbsboop"vbrmbuf "b"ovn f sp"tf dpoep"rfr sjt qf ujwv "dbsbuf sjt ydi f "f "ejn f otjpoj/"Tpop"dpn qsf tj"j"n buf sbrjlej"uf ovb/
- K'r vbesj"fr"rujsdj"sf rujwv"brln"df osbrj"j"lwcj"qspuf ujwv-"rfr"rjof f "f rrujsdi f "ej"brjm f oubjpojof "f "ej dpn boep"ef rnr"bqabdf ddi jbuwsf -"rfr"rjof f "ej"uf ssv"ef e"j"dpnrhbn f ouj"fr vjqpuf oejbrjlt pop"vbrmbuj"of m qsf eep"ej"phoj"bqabdf ddi jbuwsb"b"qja"e"(pqf sb"brjm f oubub"fr rrujsdbn f ouf /

**3.1.23) Impianti elettrico e telefonico**

b\* Dbobrjebejpoj" f "dbw/

- K'lwcj"ej"qspuf ejojof -"rfr"dbobrfruf "qpsubdbwj-"j"dpoeuwj"tcbssf -"jrtjbuap"ej"gf ssp"ejodbu"qf s"rfr"sf u"ej uf ssv-"tbsboop"vbrmbuj"brln f usp"rjof bsf "n jtvsboep"rfr"gf ujwv"t vjrmqpp"rjof bsf "jo"pqf sb/"Tpop dpn qsf tf "rfr"jodjef oe"qf s"hrj"t gsej" f "qf s"j"qf eej"t qf dibrjlej"ef rnr"nsjb"tbsboop"vbrmbuf "b"ovn f sp"tf dpoep"rfr"rpsp"dbsbuf sjt ydi f "dpt usvujwv -"jo"sf rbejpojof "brna"qpsubub"ef rnr"nsjb"u"sf tb/"Tpop dpn qsf tf "rfr"bqabdf ddi jbuwsf "f rrujsdi f "sf rujwv "f e"j"qf eej"t qf dibrjlej"dpnrhbn f oup/
- K'dbwj"n vnjqprbsj"p"vojqprbsj"ej"NU" f "ej"CU"tbsboop"vbrmbuj"brln f usp"rjof bsf "n jtvsboep"rfr"gf ujwv t vjrmqpp"rjof bsf "jo"pqf sb-"bhjvohf oep"2"n "qf s"phoj"r vbesp"brlr vbrfr"ttj"t pop"buf tubuj/"Of j"dbwj vojqprbsj"p"n vnjqprbsj"ej"NU" f "ej"CU"t pop"dpn qsf tf "rfr"jodjef oe"qf s"hrj"t gsej-"j"dbqj"dpseb" f "j n bsb"dbwj-"f t dmt j"j"uf sn jobrj"lef j"dbwj"ej"NU/
- K'luf sn jobrj"lef j"dbwj"b"NU"tbsboop"vbrmbuj"b"ovn f sp/"Of rrujsdi eep"ef j"dbwj"ej"NU"t pop"dpn qsf tj uuj"j"n buf sbrjlepdpssf ouj"qf s"rfr"t dvejpojof "ef j"uf sn jobrj"t uf ttj/
- K'dbwj"vojqprbsj"jt prbuoj"tbsboop"vbrmbuj"brln f usp"rjof bsf "n jtvsboep"rfr"gf ujwv"t vjrmqpp"jo"pqf sb-"bhjvohf oep"41"dn "qf s"phoj"t dbuprb"p"dbttf ub"ej"ef sjwbejpojof "f "31"dn "qf s"phoj"t dbuprb"eb"gvuyp/"Tpop"dpn qsf tf "rfr"jodjef oe"qf s"hrj"t gsej-"n pstrf uj"vrbouj"gop"brna"t ef ejojof "ej"7"n n 3-"n pstrf uj gttj"pusrf "ubrfr"t ef ejojof /
- M"t dbuprfr-"rfr"dbttf uf "ej"ef sjwbejpojof "f e"j"cpy"uf rfgpoj dj-"tbsboop"vbrmbuj"b"ovn f sp"tf dpoep"rfr sjt qf ujwv "dbsbuf sjt ydi f -"ujqprhj" f "ejn f otjpoj/"Of rnr"t dbuprfr"ej"ef sjwbejpojof "tubhof "t pop dpn qsf tj"uuj"hrj"lbdft tpsj"r vbrj"qbtt bdbwj"qbsf u"di jvtf -"qbsf u"j"bdpop-"hvbsojjejoj"ej"uf ovb-2"jo r vfr rnr"ef j"cpy"uf rfgpoj dj"t pop"dpn qsf tf "rfr"n pstrf uj sf /

c\* Bqabdf ddi jbuwsf "jo"hf of sbrfr" f "r vbesj"fr rrujsdj/

- M "bqqbsf ddi jbwsf "jo"hf of sbfrn"tbsboop"vbrmbuf "b"ovn f sp"tf dpoep"rfr"sjtqf ujwf "dbsbuf sjt ujd f -  
yqprphjf "f"qpsubub"fousp"j"dbn qj"qsf tbcjzjw/"Tpop"dpn qsf tj"uwj"hrj"bddf tt psj"qf s'ebf "jo"pqf sb  
rqqbsf ddi jbw sb"dpn qfrub"foe"j"pobouf /
- K'r vbesj"frusjdj"tbsboop"vbrmbuj"b"ovn f sp"tf dpoep"rfr"sjtqf ujwf "dbsbuf sjt ujd f "f"yqprphjf "jo  
goe"j"pof "ej";
  - t vqf sgdjf "gspoubrfr"ef rnt"dbsqf ouf sjb"ef "sf rhuyp"hsbep"ej"qspuf e"j"pof ")KQ\*<
  - ovn f sp"tf "dbsbuf sjt ujd f "ef hrj"jouf ssvupsj-"dpoubupsj-"gvtjcjrn" f dd/

Of j"r vbesj"rnt"dbsqf ouf sjb"dpn qsf oef s"l"rfr"df sojf sf -"rfr"n bojhjfr -"rfr"tf sswsf -"j"qboof rjrl usbgpsby"qf s  
dpouf of sf " rfr" bqqbsf ddi jbw sf -" rfr" f ujd f uf -" f dd/" Hrj" jouf ssvupsj" bvupn bydj" n bhof upf sn jdj" p  
ejgf sf oe"j"rj"t" f e"j"pobupsj" f e"j"dpoubupsj"eb"r vbesp-"tbsboop"ejt ujou"tf dpoep"rfr"sjtqf ujwf "dbsbuf sjt ujd f  
f "yqprphjf "r vbrj

- b\*jrtovn f sp"ef j"qprk<
  - c\*rnt"uf otj"pof "opn jobfrn<
  - d\*rnt"dpssf ouf "opn jobfrn<
  - e\*jrtupf sf "ej"jouf ssv"e"j"pof "tjn n f usdp<
  - f \*jrtup"ej"n poubhj"p")dpoubuj"bouf sjpsj-"dpoubuj"qpt uf sjpsj-"bt qpsubc"jzj"p"tf e"j"pobc"jzj"t"v"dbssf mp\*<
- dpn qsf oef sboop"rjodjef oe"ef j"n buf sbrj"pddpsf ouj"qf s"jrtbc"rhhj"p" f "rnt"dpouf ttj"pof "brfr"tcbssf "ef m  
r vbesp"r"r vbou"pddpsf "qf s"ebf "rjouf ssvupsf "goe"j"pobouf /
- K'dpsqj"rjn jobou"tbsboop"vbrmbuj"b"ovn f sp"tf dpoep"rfr"sjtqf ujwf "dbsbuf sjt ujd f -"yqprphjf "f  
qpf oe"j"rj"l/"Tpop"dpn qsf tf "rfr"rnt qbef -"j"qpsubub qbef "f"uwj"hrj"bddf tt psj"qf s'ebf "jo"pqf sb  
rqqbsf ddi jbw sb"dpn qfrub"foe"j"pobouf /
  - K'gsvuj"frusjdj"ej"r vbrjbtj"yqpr"tbsboop"vbrmbuj"b"ovn f sp"ej"gvup"n pouup/"Tpop" f tdrvt "rfr  
t dbrfr-"rfr"qrbddi f "f"hrj"bddf tt psj"ej"gtt bhj"p"di f "tbsboop"vbrmbuj"b"ovn f sp/

### 3.1.24) Opere di assistenza agli impianti

M "pqf sf "f"hrj"pof sj"ej"bttjt uf oe"ef"uwj"hrj"jn qjboj"dpn qf otbop" f "dpn qsf oepop"rfr"tf hvf ouj"qsf tbe"j"pof;

- t dbsdj"ebhrj"bvupn f e"j"dpn"db"e"j"pof "jo"rnp"dpn qsf tp"jrtj"sp"jo"brp"bj"vbsj"qjboj" f "tjt uf n be"j"pof "jo  
n bhbe"j"pof"ej"uwj"j"n buf sbrj"qf s"jof ouj"bhj"jn qjboj<
- bqf svsb" f "di jvtvsb"ej"usbddf -"qsf ejtqpt"e"j"pof "f"qsn be"j"pof "ej"qpsj" f e"bt prfr"tv"n vsbwsf "f"t usvwsf  
ej"dbrd"t usv"e"j"pof "bsn bup<
- n vsbwsb"ej"t dbrfr-"dbttf uf -"t qpsf rj"dpousp"rj"ej"cpddi f uf -"tf ssoef "f"hsjhrj -"hvje" f "qpsf  
btdf otpsj<
- gtt bhj"p"ej"bqqbsf ddi jbw sf "jo"hf of sf "bj"sf rhuyp"cbtbn f ouj" f "tvqqpsj<
- qsn be"j"pof "ej"cbtbn f ouj"ej"dbrd"t usv"e"j"pof "p"n vsbwsb" f -"pvr "s"jdi jf t up-"rnt"jouf sqpt"e"j"pof "ej"t usbup  
jt prouf -"cbhhj"rj"b"odpsbhj"ej"poebe"j"pof "f"ojdi jf <
- n bopvbr"oe"ef" f "n f e"j"e"(pqf sb"jo"bjvup"bj"n poubpsj"qf s"rnt"n pvjn f oub"e"j"pof "jof sf ouf "brnt"qpt b"jo  
pqf sb"ej"r vf j"n buf sbrj"di f "qf s"jrt"sp"qf tp" f Qp"vprn f "f"tjhpop"lbrj"qsf tbe"j"pof<
- j"n buf sbrj"ej"dpotvn p" f e"j"n f e"j"e"(pqf sb"pddpsf ouj"qf s"rfr"qsf tbe"j"pof"ej"dvj"t pqs b<
- jrtusb"qpsp"brnt"ejt dbsdj"ef j"n buf sbrj"ej"sjt vrb"ef rfr"rnt"vpsbe"j"pof<
- tdbwj" f "sjouf ssj"sf rhuyp"b"ucbe"j"pof"pe"bqqbsf ddi jbw sf "qpt uf "jouf ssubf <
- qpouf hhj"ej"tf sv"e"j"pof"jouf soj" f e" f t uf soj/

M "pqf sf "f"hrj"pof sj"ej"bttjt uf oe"ef"bhj"jn qjboj"epwsboop" f ttf sf "dbrdr"rnt" "jo"psf "rnt"vps"tvnt"cbt f "ef rnt  
dbuf hpsjb"ef rnt"n bopepqf sb"jn qjf hsb" f "ef rnt"r vbouj"l"ej"n buf sbrj"of df ttbsj" f "sjf sjj"b"djbt dvo"hsvqqp"ej  
rntvps/

### 3.1.25) Manodopera

Hrj"pqf sbj"qf s"j"rntvpsj"jo" f dpou"jb"epwsboop" f ttf sf "jepof j"brntvps"qf s"jrt"vbrfr"t pop"sjdi jf tuj" f "epwsboop  
f ttf sf "qspwj"t u"ef j"of df ttbsj"busf e"j/

M Bqqbrubpsf "à"pccrjhb"p-"tf oe"ef"dpn qf ot p"brd"op-"b"tpt ujujsf "uwj"r vf hrj"pqf sbj"di f "opo"tpeejt gop"rnt  
Ejsf e"j"pof "ef j"rntvpsj/

Djsdb"rnt"qsf tbe"j"pof"ej"n bop"e"(pqf sb"tbsboop"ptt f svbf "rfr"ejtqpt"e"j"pof" f "dpowf oe"j"pof"tbcjzjw" ebrfr"rfrhhj" f  
ebj"dpousbuj"dpnruj"vj"ej"rntvps/

Of rfr"tf dv"e"j"pof "ef j"rntvpsj"di f "qsn bop"phhf up"ef rtaqsf tf ouf "bqqbrub"rntvps"pccrjhb"be"bqqbrubsf  
jouf hsbm f ouf "uwf "rfr"opn f "dpouf ovf "of rntvps"dpnruj"vj"ob"e"j"pof"rfr"ej"rntvps"qf s"hrj"pqf sbj"ejqf oef ouj  
ebrfr"be"j"oef "joevt usjbrj"ejrj" f e"bgj" f "of hrj"bdddpsj"rntvps"jouf hsbuj"vj"ef rnt"tuf ttp-"jo"vjhpsf "qf s"jrt" n qp" f  
of rnt"rntvps"jo"dvj"tj"vprntvps"vj"rntvps"boe"j" f uj/

M Bqqbrubpsf "tj"pccrjhb"brnt"t"be"bqqbrubsf "jrtvps"p" f "hrj"bdddpsj"n f ef tjn j"bodi f "epqp"rnt"t dbe"ef" f  
gop"brnt"tpt uju"e"j"pof "f -"tf "dppqf sbuj" -"bodi f "of j"sbqqpsj"dpou"j"t pdj/

K'tveef uj"pccrjhb"j"vjodprnt"rntvps"p"bodi f "tf "opo"tjb"bef sf ouf "brnt"btt pdj"e"j"pof"t uju"v"p"sf df eb  
eb" f ttf "f"joeqf oef ouf n f ouf "ebrnt"obvwsb"joevt usjbrfr"ef rnt"tuf ttf "f"eb"phoj"brnt"t v"b"r vbrj"db"e"j"pof "hjsvje"jdb-

f dpopn jdb"p"tjoebdbfrf/

**3.1.26) Noleggi**

M "n bddi jof "f "hrjlbwsf €€"ebu"b"oprnhhj"ef wpop"fttf sf "jo"qf sf up"tubup"ej"ftf sf €€"f e"fttf sf "qspwjt uj ej"uwuj"hrjlbddf ttpsj"of df ttbsj"qf s"jrhpsp"sf hprbsf "gvo€jpopbn f oup/

Tpop"b"dbsjdp"ftdmtjwp"ef n(Bqqbrubpsf "ra"n bovuf o€jpop"ef hrjlbwsf €€"f "qsf €€"ej"oprnhhj"ej"n f ddbojtn j jo"hf of sf -"tj"jouf oepop"dpssjt qpt uj"qf s"uwup"jrhf n qp"evsbouf "jrh vbrf"jn f ddbojtn j"sjn bohpop"b"qjà"e(pqf sb"b ejtqptj€jpop" ef n(Bn n jojtusb€jpop -" f " djpà" bodi f " qf s' rfi" psf " jo" dvj" j" n f ddbojtn j" tuf ttj" opo" gvo€jpopobop-bqqbruboeptj"jrhqsf €€"qsf t ubcjrup/

Of rhqsf €€"ej"oprnhhj"t pop"dpn qsf tj"hrjlpof sj" f "wuf "rfi"tqf tf "qf s"jrhstbpsup"b"qjf "e(pqf sb-"n poubhjptn poubhjpt" f e"brmpoubobn f oup"ej"ef uj"n f ddbojtn j/

Qf s"jrhoprnhhj"ej" dbssj" f e"bvupdbssj"jrhqsf €€" wf ssù" dpssjt qpt up"tprubou" qf s' rfi" psf " ej" f gf ujwp" rhvpsp-sjn bof oep"ftdmt p"phoj"dpn qf otp"qf s'r vbrtjbtj"brub"dbvtb"p"qf sejb"ej"uf n qp/

**3.1.27) Trasporti**

K'usbtpsq"ej"uf ssf "p"brub"n buf sjbrf"tdjrup"wf ssboop"vbrubuj"jo"cbtf "brhvrpn f "qsjn b"ef mp"tdbwp-"qf s'rfi n buf sjf "jo"avn vrp"qsjn b"ef rhbsjdp"tv"n f €€-"tf o€b"uf of s"dpoup"ef n(Bvn f oup"ej"vprn f "brubou"ef mp"tdbwp"p ef rhbsjdp-"pqqvsf "b"qf tp"dp"sjf sjn f oup"brub"ejt ubo€b/"Rvbrpsb"opo"tjb"ejwf stbn f ouf "qsf djt bup"jo"dpousbup-tbsù" dpn qsf tp"jrhbsjdp" f "rp"tdbsjdp" ef j"n buf sjbrf" f e"phoj"tqf tb"qf s" ebsf "jrh f €€"ej" usbtqpsup"jo"qjf ob f ggdjfo€b/" Dpo" j" qsf €€" ef j" usbtqpsu" tj"jouf oef " dpn qf otub" bodi f " ra" tqf tb" qf s' n buf sjbrf"ej" dpotvn p-"jm tf sv€j"ef rhvpoevdf ouf -"f "phoj"brub"tqf tb"pddpsf ouf /

K' n f €€" ej" usbtqpsup" qf s' j" rhvpsj" jo" f dpopn jb" ef ccpop" f ttf sf " gsojuj" jo" qjf op" tubup" ej" f ggdjfo€b" f dpssjt qpoef sf "brub"qsf t dsjuf "dbsuf sjt udi f /

**Art. 3.2  
MATERIALI A PIÈ D'OPERA**

Qf s'ef uf sn jobuj"n bovduj"jrhvuj"vbrpsf "à"tvqf sjpsf "brub"tqf tb"qf s'ra"n f ttb"jo"pqf sb-"jrhqsf €€"b"qjà"e'pqf sb f e"jrhv"bdds f ejubn f oup"jo"dpoubcjrup"qsjn b"ef rna"n f ttb"jo"pqf sb"à"tubcjrup"jo"n jtvsb"opo"tvqf sjpsf "brub n f w'ef rhqsf €€"tuf tt p"eb"vbrubstj"b"qsf €€"ej"dpousbup"p-"jo"ejf up-"brub"qsf €€"ej"qspfh up/

K'qsf €€"qf s"j"n buf sjbrf"b"qjà"e(pqf sb"tj"ef uf sn jof sboop"of j'tf hvf ouj"dbtj;

b\* brub"qspwjt uf "ef j"n buf sjbrf"b"qjà"e(pqf sb"di f "r(Bqqbrubpsf "à"uf ovup"b"qsf "b"sjdi jf tub"ef rna"Ejsf €jpop ef j" rhvpsj-" dpn qsf tf " rfi" tpn n jojtusb€jpop" qf s' rhvpsj" jo" f dpopn jb-"brub" dvj" f tf dv€jpop " qspwef ef ejsf ubn f ouf "ra"tub€jpop "Bqqbrubouf <

c\* brub"vbrub€jpop" ef j"n buf sjbrf"bddf ubcjrup"of rhdbtp"ej"ftf dv€jpop "ej"v ggdj"p" f " of rhdbtp"ej"sf t djttjpopf dpbujvb"pqqvsf "ej"tdjphjm f oup"ej"dpousbup<

d\* brub"vbrub€jpop" ef rna"n buf sjbrf"qf s'rhvpsj"ejubn f oup"ef rhpsp"jn qpsup"of j"qbhbn f ouj"jo"bddpoup<

e\* brub"vbrub€jpop" ef rna"n qspwjt uf "b"qjà"e(pqf sb"di f "tj"epwf ttf sp"sjrhvbsf "ebrub"tub€jpop "Bqqbrubouf r vboep"qf s'vbsj€jpop"eb"fttb"jouspeuf "opo"qpufttf sp"qjà"uspwsf "jn qjf hp"of j"rhvpsj/

Ko"ef uj"qsf €€"ef j"n buf sjbrf"à"dpn qsf tb"phoj"tqf tb"bddf ttpsjb"qf s'ebf "j"n buf sjbrf"b"qjà"e(pqf sb"tvrrhphp ej"jn qjf hp-"ra"tqf tf "hf of sbjrhf e"jrhf of gdj"ef n(Bqqbrubpsf /

# CAPITOLO 4

## QUALITA' DEI MATERIALI E DEI COMPONENTI

### Art. 4.1

#### NORME GENERALI - IMPIEGO ED ACCETTAZIONE DEI MATERIALI

Rvbrfn"sf hprb"hf of sbrfn"tj"jof oef "di f "j"n buf sbrfn"j"qspewuj"fe"j"dpn qpop ouj"pddpssf ouj"qf s"rb"dpusvEjpop ef rfn"pqf sf -"qspwf ssboop"eb"ejuf "gsojusdij"p"eb"dbwf "f "rpdbrjw"di f "rBqqbrubpsf "sjuf ssU"ej"tvb"dpowf ojf oEb-qvsdi è-"be"jotjoebdcbjrfn"hjvejejp"ef rnb"Ejsf Ejpof "ef j"mvpsj-"sjt qpoebop"brfn"dbsbuf sjt ydi f Qqsf t ubEjpoj"ej"dvj bj"tf hvf ouj"bsujdprij/

K'n buf sbrfn"j"j"dpn qpop ouj" ef wpop" dpssjt qpoef sf "brfn" qsf t dsEjpoj" ej" rfnhf "f" ef rñqsf tf ouf " Dbqjuprbup Tqf djbrfn"fttj"epwsboop"ftt sf "ef rnb"n hjrpsf "r vbrjw"di f "rBqqbrubpsf "sjuf ssU"ej"tvb"dpowf ojf oEb-qvsdi è-"be"jotjoebdcbjrfn"hjvejejp"ef rnb"Ejsf Ejpof "ef j"mvpsj/

Sf t ub"tf n qsf "brfn" qsf tb"rb"qjf ob"sf tqpotbcjrnw"di f "rBqqbrubpsf "sjuf ssU"ej"tvb"dpowf ojf oEb-qvsdi è-"be"jotjoebdcbjrfn"hjvejejp"ef rnb"Ejsf Ejpof "ef j"mvpsj/

K'n buf sbrfn"epwsboop"uspwbstj-"brfn"pn f oup"ef rñqsf tf ouf "Dbqjuprbup Tqf djbrfn"fttj"epwsboop"ftt sf "ef rnb"n hjrpsf "r vbrjw"di f "rBqqbrubpsf "sjuf ssU"ej"tvb"dpowf ojf oEb-qvsdi è-"be"jotjoebdcbjrfn"hjvejejp"ef rnb"Ejsf Ejpof "ef j"mvpsj/

Bodi f "epqp"rBqqbrubpsf "sjuf ssU"ej"tvb"dpowf ojf oEb-qvsdi è-"be"jotjoebdcbjrfn"hjvejejp"ef rnb"Ejsf Ejpof "ef j"mvpsj/

Mf tf dvpsf "di f -"ej"tvb"joEjbywb-"bccjb"jn qjf hbp"n buf sbrfn"j"dpn qpop ouj"ej"dbsbuf sjt ydi f "tvqf sjpsj"b r vf rfn" qsf t dsjuf "of j" epdvn f ouj" dpousbrfn"p"ftf hvjup"vob" rBqqbrubpsf "sjuf ssU"ej"tvb"dpowf ojf oEb-qvsdi è-"be"jotjoebdcbjrfn"hjvejejp"ef rnb"Ejsf Ejpof "ef j"mvpsj/

Hijl bddf sbn f ouj"ej" rBqqbrubpsf "sjuf ssU"ej"tvb"dpowf ojf oEb-qvsdi è-"be"jotjoebdcbjrfn"hjvejejp"ef rnb"Ejsf Ejpof "ef j"mvpsj/

Mb"Ejsf Ejpof "ef j"mvpsj"p"rBqqbrubpsf "sjuf ssU"ej"tvb"dpowf ojf oEb-qvsdi è-"be"jotjoebdcbjrfn"hjvejejp"ef rnb"Ejsf Ejpof "ef j"mvpsj/

Qs"r vbou"opo"ftqsf ttp"of rñqsf tf ouf "Dbqjuprbup" Tqf djbrfn"sf rBqqbrubpsf "sjuf ssU"ej"tvb"dpowf ojf oEb-qvsdi è-"be"jotjoebdcbjrfn"hjvejejp"ef rnb"Ejsf Ejpof "ef j"mvpsj/

Koprus"jo"puf n qf sboeb"brfn"di f "j"n buf sbrfn"j"qspewuj"fe"j"dpn qpop ouj"pddpssf ouj"qf s"rb"dpusvEjpop ef rfn"pqf sf -"qspwf ssboop"eb"ejuf "gsojusdij"p"eb"dbwf "f "rpdbrjw"di f "rBqqbrubpsf "sjuf ssU"ej"tvb"dpowf ojf oEb-qvsdi è-"be"jotjoebdcbjrfn"hjvejejp"ef rnb"Ejsf Ejpof "ef j"mvpsj/

### Art. 4.2

#### ACQUA, CALCI, CEMENTI ED AGGLOMERATI CEMENTIZI, POZZOLANE, GESSO

b\*"Bdr vb". "M(bdr vb)qf s"rBqqbrubpsf "sjuf ssU"ej"tvb"dpowf ojf oEb-qvsdi è-"be"jotjoebdcbjrfn"hjvejejp"ef rnb"Ejsf Ejpof "ef j"mvpsj/

c\*"Dbrj". "M(dbrj)bf sf f "f"e"jesbvrdj"di f "epwsboop"sjt qpoef sf "brfn" qsf t dsEjpoj" dpouf ovuf "of rnb" rfnhf 6: 6076")Dbsbuf sjt ydi f "uf dojdi f "f"sf r vjtjy"ef j" rñqsf tf ouf "Dbqjuprbup" Tqf djbrfn"sf rBqqbrubpsf "sjuf ssU"ej"tvb"dpowf ojf oEb-qvsdi è-"be"jotjoebdcbjrfn"hjvejejp"ef rnb"Ejsf Ejpof "ef j"mvpsj/

d\*"Df n f ouj"qf "bhhfn" f sbuj"df n f ouj"qf

2/ Ef wpop"jn qjf hbstj"ftdmtjwbn f ouf "j"df n f ouj"qf vjtjy"eb"rBqqbrubpsf "sjuf ssU"ej"tvb"dpowf ojf oEb-qvsdi è-"be"jotjoebdcbjrfn"hjvejejp"ef rnb"Ejsf Ejpof "ef j"mvpsj/

- 37)n bhbjp"2: 76"o/"6: 6"f "opns f "bsn pojebuf "ef nltf sjf "FO"2: 8\*-"epubj"ej"buf tubup"ej  
 dpogpsn jU"bj"tf otj"ef nfn"opns f "**VOK'FO"2: 8.2" f "VOK'FO"2: 8.3/**
- 3/ B"opns b"ej"r vboup"qsf vjt up"ebrtE f dsf up"23"mhjrp"2: : -"o/"425")Sf hprbn f oup"sf dbouf "opns f "qf s  
 jrtjrt djp"ef nltf tubup"ej"dpogpsn jU"qf s"j"df n f ouj\*"j"df n f ouj"ej"dvj"bnltf"2"rnu f sb"B\*ef nltf  
 rnhhf "6: 6076" f "djpà"df n f ouj"opns brt f "be"bnltf"sf tjt uf oeb"qpsuboe-"qpeprbojdp" f "e"brnpgsop\*"tf  
 vjrtubj"qf s"dpogf ejpobsf "jrtjrt pohn f sbup"df n f ouj"opns brn-"bsn bup" f "qsf dpn qsf ttp-"ef wpop  
 f ttf sf "df sujdbuj"qsf ttp"j"rtcpsbupsj"ej"dvj"bnltf"7"ef nltf rnhhf "6: 6076" f "bnltf"6: "ef rte/Q/S/  
 49103112" f "t/n /j/"Q s"j"df n f ouj"ej"jn qpsubepof -"rt"qspdf evsb"ej"dpousnrt" f "ej"df sujdbuejpo f "qpusj  
 f ttf sf "twpnt"of j"mphi j"ej"qspvejpo f "eb"bobrphi j"rtcpsbupsj" f tuf sj"ej"bobrjrtj/  
 4/ K'df n f ouj" f "hrtbhhrpn f sbuj"df n f ouj"epwsboop" f ttf sf "dpotf swbuj"jo"n bhbejpoj"dpqf sj-"cf o  
 sqbsbuj"ebnrt n jejuj" f "eb"bnrt"bhf ouj"dbqbdj"ej"ef hsebsrt"qsjn b"ef nrt qj f hp/

e\*"Qpeprbof " . "M" qpeprbof "tbsboop" sjdbwuf "eb"tusbuj" n poej" eb" dbqqf nltf djp" f e" f tf ouj" eb"tptuboef  
 f uf sphf of f "p"ej"qbsuj"jof suj<r vbmorf v"tjb"rt"qspwf ojf oeb"epwsboop" sjt qpoef sf "b" wuj"j"sf r vjtjy"qsf tdsuj  
 ebntf"opns f "lf dojdi f "vjhf ouj/

f\*"Hf ttp". "Kthf ttp"epwsj" f ttf sf "ej"sf df ouf "dpuwsb-"qf sf ubn f ouf "bt djvup-"ej"jof "n bdjoejpo f "jo"n pep  
 eb"opo"rt djbsf "sf tjevj"tvrt" tubddj"ej"67"n bhrtf "b"df ouj n f up"r vbesbup-"df wsp"eb"n buf sjf "f uf sphf of f "f  
 tf oeb"qbsuj"bnrt sbuf "qf s" f tjoejpo f "tqoubof b/"Kthf ttp"epwsj" f ttf sf "dpotf swbuj"jo"rt brtj"dpqf sj-"cf o"sjqbsbuj  
 ebntf n jejuj" f "eb"bhf ouj"ef hsebouj/"Qf s"rtddf ubejpo f "vrtjrt"j"dsj f sj"hf of sbjrt"ef nltf sjdrt"o"Norme Generali -  
 Accettazione Qualità ed Impiego dei Materiali" f "rt"dpoejpoj"ej"bdf ubejpo f "tbcjrt" f "ebntf"opns f "vjhf ouj/

g\*"Tbccj" . "M"tbccj"epwsboop" f ttf sf "bttprubn f ouf "qsjw"ej" f sss-"n buf sjf "pshbojdi f "p"bnrt" n buf sjf  
 opdjw" -" f ttf sf "ej" uqap"tjrt"p")p"jo"tvcpsjof "r vbsjpt-"hsbojdp"p"dbrtbsf p\*"bwf sf "hsbob"pn phf of b-"f  
 qspwf ojsf "eb"spddf "dpo" f rfwub"sf tjt uf oeb"bnltf"dpn qsf ttpof /"Tpuqaptub"bnltf"qspwb"ej"ef dboubejpo f "jo"bdr vb-  
 rt"qf sejb"jo"qf tp"ef nltf tbccj"opo"epwsj"tvqf sbsf "jrt& /

M"tbccj" vjrtubj" qf s"rt" n vsbwf -"qf s" hrtjrtjoupobdj-"rt"twddbwf -"rt" n vsbwf "b"gdjrt" vjt ub" f "qf s"j  
 dpohn f sbuj"df n f ouj"epwsj" f ttf sf "dpogpsn f "b"r vboup"qsf vjt up"ebrtE/N/"28"hf oobj"3129" f "ebntf"sf rtujw  
 opns f "vjhf ouj/

M"hsbovrt n f usj"epwsj" f ttf sf "bef hvub"bnltf"ef tjoejpo f "ef rthf up" f e"bnrt"dpoejpoj"ej"qptb"jo"pqf sb/"È  
 bttprubn f ouf "vjf ubup"rtvtp"ej"tbccj"n bsjob/

K'n buf sjrtjrtepwsboop"uspvstj-"bnrt pn f oup"ef nrtvtp"jo"qf sf up"tubup"ej"dpotf swbujpo f /"Kthrtsp"jn qj f hp"of nltf  
 qsf qbsuejpo f "ej"n brt f "dpohn f sbuj"df n f ouj"epwsj"bwf ojsf "dpo"rtotf swboeb"ef nrt"n jrtjrt"sf hprn"e"bsf /

Qf s"r vboup"opo" f tqsf tbn f ouf "dpouf n qrtub-"tj"sjowj"bnltf"tf hvf ouf "opns bujw"lf dojdb;"**VOK'FO"56: ". "VOK  
 FO"2: 8: "VOK'FO"KTP"8138.2: "VOK'FO"524: "VOK: 267: "VOK: 717/**

Uvuj"j"qspewj" f Qp"n buf sjrtjrt"ej" dvj"brtqsf ttf ouf "bsjdrp-"r vbrps"qpttbop" f ttf sf "epubj"ej"n bsdwub"DF  
 tf dpoepr"rt"opns bujw"lf dojdb"vjhf ouf -"epwsboop" f ttf sf "n voj"ej"ubrt"n bsdj jp/

**Art. 4.3  
 MATERIALI INERTI PER CONGLOMERATI CEMENTIZI E PER MALTE**

2\*"Uvuj" hrtjrt jof suj" eb"jn qj f hbsf " of nltf" gsn bejpo f "ef hrtjrt jn qbtuj"ef tjoebuj"bnltf" f ttf dvjpo f "ej"pqf sf "jo  
 dpohn f sbup"df n f ouj"opns f "qjrt"pe"bsn bup"ef wpop"dpssjtqpoef sf "bnrt"dpoejpoj"ej"bdf ubejpo f "tbcjrt" f  
 ebntf"opns f "vjhf ouj"jo"n buf sjb/

3\*"Hrtjrt bhhsf huj" qf s"dpohn f sbuj"df n f ouj"opns -"obwsrtjrt" f "ej"gsbow n bejpo f -"ef wpop" f ttf sf "dptujwuj"eb  
 f rfn f ouj"opo"hf rtwj" f "opo"gsjbcjrt"qsjw"ej"tptuboef "pshbojdi f -"rtm ptf "f e"bshjrt" f -"ej"hf up-"f dd/"jo"qspqpsjpo  
 opo"opdjw"bnrtjoevsjn f oup"ef rtdpohn f sbup"p"bnltf"dpotf swbujpo f "ef nrt"bsn bwf /"M"hi jrbj"p"jrtjrt usjrt  
 ef wpop"bwf sf "ejn f otjpo"n bttjn f "dpn n jtvsub"bnrt"dbsbw f sjtjdi f "hf pn f usjdi f "ef nltf"dbsqf ouf sjb"ef rthf up  
 f e"bnrtjohpn csp"ef nrt"bsn bwf /"M"tbccj" qf s"n brt"epwsj" f ttf sf "qsjw"ej"tptuboef "pshbojdi f -"f usptf "p  
 bshjrt" f -"f e"bwf sf "ejn f otjpo"n bttjn b"ef j"hsboj"ej"3"n n "qf s"n vsbwf "jo"hf of sf -"ej"2"n n "qf s" hrtjrtjoupobdj" f  
 n vsbwf "ej"qbsbn f oup"p"jo"qj f usb"eb"lbrtjrt/

Tpo"jepof j"bnrt"qspvejpo f "ej"dbrt" f tsvv"qf s"vtp"t svv"sbnt" hrtjrtbhhsf huj"puv ovuj"ebntf"rtwpsbejpo f "ej  
 n buf sjrtjrt obwsrtjrt" bsjrtjrt"pqqv"sf "qspwf ojf ouj" eb"qspdf tjt"ej"sjdrp"dpogpsn j"bnltf"opns b" f vspqf b  
 bsn pojebub **VOK'FO"23731** f -"qf s" hrtjrtbhhsf huj" rnhhf sj-"bnltf"opns b" f vspqf b"bsn pojebub **VOK'FO"24166**/"È  
 dpotf ouj"rtvtp"ej"bhhsf huj"hsptt"qspwf ojf ouj"eb"sjdrp"tf dpoepr"jrtm juj"ej"dvj"brtqvoup"22/3:/3"ef rte/N/"28  
 hf oobj"3129" b"dpoejpoj" f "di f "rt" n jtdf rt"ej"dbrt" f tsvv-"dpogf ejpobup" dpo"bhhsf huj"sjdrt" w ohb  
 qsf rtm jobsn f ouf "r vbrtjrt" f "epdvn f oubub-"opodi è"bdf ubub"jo"dbujf sf -"busbwf st"p"rt"qspdf evsf "ej"dvj"bnrt  
 djub"opns f /



Qf s' r vboup" sjhvseb" j" dpousprnj" ej" bddf ubējpoj" ef hrij bhhsf hby" eb" f gf wvbstj" b" dvsb" ef rEjsf upsf " ef j Mwpsj" r vf tuj" tpop" gobrēj" bnf op" bnf wf sjgdb" ef rnf" dbsbuf sjtjdi f "uf dojdi f "sjqpsubf "brtqvoup"22/3/: /3" ef m E/N/"28"hf oobjp"3129/

4\*Hrij beejvj" qf s'jn qbtuj" df n fouēj" dnf "eb" opsn b"VOK'FO": 45-"tj" jof oepop" drbtjgdbuj" dnf "tf hvf ; gviejgdbouj" b'f sbouj" s'jvsebouj" bddf rnsbouj" gviejgdbouj. b'f sbouj" gviejgdbouj. s'jvsebouj" gviejgdbouj. bddf rnsbouj" bouhf r. tvqf sgvejgdbouj/" Qf s' rnf" n pebrjū" ej" dpousprnj" f e" bddf ubējpoj" r" Ejsf ējpoj" ef j" Mwpsj qpusū" gbs" f tf hvjsf "qspw" "pe" bddf ubsf "tf dpoep" j" dsjv sj" ef rnf" opsn b"VOK'FO": 45-"VOK'FO"591") wbsjf "qbsj\*/ Impiego dei Materiali" rnf" ubējpoj" ej" dpogpsn jū" bnf" opsn f "VOK'FO": 45-"VOK'FO"591") wbsjf "qbsj\*/

5\* K' dpohrpn f sbuj" df n fouēj" qf s' tsvwsvf "jo" df n foup" bsn bup" epwsboop" sjtqf ubsf "wuf" rnf" qsf tdsjēpoj" ej dvj" brtE/N/"28"hf oobjp"3129" f "sf rlvjw" "djsdprnsj" f tqrdlbyw /

Qf s' r vboup" opo" f tqsf ttbn f ouf "dpouf n qrbup" tj" sjowj" bnf" tf hvf ouf "opns bujwb" uf dojdb; "VOK'FO": 45") wbsjf qbsj\*-"VOK'FO"591") wbsjf "qbsj\*-"VOK'FO"24166.2/

Uvuj" j" qspepuj" f Qp" n buf sbrjēj" dvj" brtqsf tf ouf "bsjdprn" r vbrpsb" qpttbop" f ttf sf "epubj" ej" n bsdwsv" DF tf dpoep" rnf" opsn bujwb" uf dojdb" vjhf ouf "epwsboop" f ttf sf "n vojū" ej" lbrfn" n bsdj /

#### Art. 4.4

### ELEMENTI DI LATERIZIO E CALCESTRUZZO

Hrij f rfn f ouj" sf tjtuf ouj" bsjgdjbrj" eb" jn qjf hbsf " of rnf" n vsbwsvf " )f rfn f ouj" jo" rlvjw sēj" f e" jo" dbrdf tsvēēp\* qpttpop" f ttf sf "dptujwvj" ej" rlvjw sēj" opsn brfn" rlvjw sēj" brfnhfhf sjup" jo" qbtub" dbrdf tsvēēp" opsn brfn" dbrdf tsvēēp brfnhfhf sjup/

Rvboep" jn qjf hby" of rlvjw" dptsvējpoj" ej" n vsbwsvf " qpsbouj" f ttj" ef cpop" sjtqpoef sf " brfn" qsf tdsjēpoj dpouf ovuf "of rE/N/"28"hf oobjp"3129" of rnf" sf rlvjw "djsdprnsj" f tqrdlbyw " f "opns f "vjhf ouj/

Of rlvjw" ej" n vsbwsvf " opo" qpsbouj" rnf" tveef uf " qsf tdsjēpoj" qpttpop" dptujwjsf " vjrfn" sjg sjn foup" jotjfn f "b r vf rnf" ef rlvjw" opsn b"VOK'FO"882/

Hrij f rfn f ouj" sf tjtuf ouj" ej" rlvjw sēj" f "ej" dbrdf tsvēēp" qpttpop" dpouf of sf "gbswsvf " sjtqpoef ouj" brfn" qsf tdsjēpoj ef rlvjw" dbrdf tsvēēp" E/N/"28"hf oobjp"3129" f "brfn" sf rlvjw" opsn f "vjhf ouj/

M"sf tjtuf oēb" n f ddbojdb" ef hrij f rfn f ouj" ef w" f ttf sf "ejn ptusbw" busbwv stp" df sujgdbējpoj" dpouf of ouj" sjt vrbuj ef rnf" qspw" f " dpoepuf " eb" rbcpsbupsj" vgdjbrj" of hrij tbcjrm f ouj" ej" qspevējpoj" -" dpo" rnf" n pebrjū" qsf vjtuf " of m E/N/"ej" dvj" tppqb/

Uvuj" j" qspepuj" f Qp" n buf sbrjēj" dvj" brtqsf tf ouf "bsjdprn" r vbrpsb" qpttbop" f ttf sf "epubj" ej" n bsdwsv" DF tf dpoep" rnf" opsn bujwb" uf dojdb" vjhf ouf "epwsboop" f ttf sf "n vojū" ej" lbrfn" n bsdj /

E" gdpndū" ef rlvjw" Ejsf ējpoj" ef j" Mwpsj" sji jf ef sf "vo" dpousprnj" ej" bddf ubējpoj" -" bwf ouf "rnf" tdpqp" ej" bddf ubsf "tf hrij f rfn f ouj" eb" n f uf sf "jo" pqf sb" bccjbop" rnf" dbsbuf sjtjdi f "ejdi jbsuf "ebrtqspevupsf /

#### Art. 4.5

### VALUTAZIONE PRELIMINARE CALCESTRUZZO

Mbqqbrnbupsf "-" qsjn b" ef rlvjw" ej" ef rlvjw" dptsvējpoj" ef rlvjw" qf sb" ef w" f gf wvbsf " jepof f " qspw" qsf rjm jobsj" ej tvej" f e" bdr vjtjsf " jepof b" epdvn foubējpoj" sf rlvjw" bj" dnf qpof ouj" qf s' djbt dvob" n jt df rlvjw" pn phf of b" ej dbrdf tsvēēp" eb" vjrfn" b'f rlvjw" of "ej" puf of sf "rnf" qsf tsvēēp" sji jf tuf "ebrtqsf up/

Of rlvjw" ej" gsojwsvf " qspw" ojf ouj" eb" jn qjbou" ej" qspevējpoj" joevt usjbrēj" dpo" df sujgdb" ej" dpousprnj" ef rlvjw" qspevējpoj" jo" gpcsjdb" lbrfn" epdvn foubējpoj" "à" dptujwjb" eb" r vf rlvjw" ej" jef oujgdbējpoj" -" r vbrjgdbējpoj" f " dpousprnj" ef j" qspepuj" eb" gsojsf /

KrhEjsf upsf " ef j" Mwpsj" i b" rlvjw" ej" bdr vjtjsf "-" qsjn b" ef rlvjw" ej" ef rlvjw" dptsvējpoj" -" rlvjw" epdvn foubējpoj sf rlvjw" bnf" vbrnbupsf " qsf rjm jobsf " ef rnf" qsf tsvēēp" f "ej" bddf ubsf "rnf" vjqrphj" ej" dbrdf tsvēēp" eb" gsojsf "-" dpo gdpndū" ej" gbs" f tf hvjsf " vnf" sjpsj" qspw" " qsf rjm jobsj/

KrhEjsf upsf " ef j" Mwpsj" i b" dnf vorvf " rlvjw" ej" f tf hvjsf " dpousprnj" tjtuf n bujdi" jo" dpst" p" e" pqf sb" qf s wf sjgdbsf " rlvjw" dpstqpoef oēb" ef rnf" dbsbuf sjtjdi f " ef rlvjw" dptsvēēp" gsojup" sjtqf up" b" r vf rlvjw" tbcjrm" n bsdj qsf up/

## 4.6 MATERIALI E PRODOTTI PER USO STRUTTURALE

### Generalità

K'n buf sbrjēj" e" j" qspepuj" qf s' vtp" tsvwsvf rlvjw" vjrfn" of rnf" pqf sf "tphhf uf "brtE/N/"28"hf oobjp"3129" ef vpop sjtqpoef sf "bj" sf r vjtjū" joejdbuj" of rlvjw" hvjup/

K'n buf sjbrjff "qspewuj"qf s'vtp'tusvwsbrfn"ef wpop"fttf sf ;

- *identificat*/'vojwvdbn f ouf "b"dvsv"ef r'pccsjdbouf -"tf dpoep"rnf"qspdf evsf "bqqrjabcjrx<
- *qualificat*/'t'pup"rnf"sf tqpotbcjrnj"ef r'pccsjdbouf -"tf dpoep"rnf"qspdf evsf "ej"tf hvjup"sjdi jbn buf <
- *accettat*/' ebrhEjsf upsf " ef j" r'wvpsj" n f ejbouf " bdr vjtj'epof " f " wf sjgdb" ef r'na" epdvn f oub'epof " ej jef oujgdb'epof "f"r vbrjgdb'epof -"opodi è"n f ejbouf "f wf ouvbrj'qspw"ej"bddf ub'epof /

Qf s'phoj"n buf sjbrfn"p"qspewup"jef oujgdbup"r"vbrjgdbup"n f ejbouf "Nbsdbwsv"DF"à"pof sf "ef r'Ejsf upsf "ef j Mwvpsj-"jo" dptf "ej" bddf ub'epof -" bddf substj" ef r'pqtftt"p" ef r'na" n bsdbwsv" tuf ttb" f " sji jf ef sf " dpqjb" ef r'na epdvn f oub'epof "ej"n bsdbwsv"DF"ef r'na"Ejdi jbsb'epof "ej"Qsf tub'epof "ej"dvj"br'Dbqp"KK'ef r'Sf hprbn f oup"VF 41603122-"opodi è"r'vbrpsb"sjf ovup"of df ttbsjp-"bj"goj"ef r'na"wf sjgdb"ej"r vbou"t'pqs"b". "dpqjb"ef r'ndf sjgdbup"ej dpt uboeb"ef r'na"qsf tub'epof "ef r'qspewup"p"ej"dpogsv jll"ef r'ndpousrnp"ef r'na"qspew'epof "jo"pccsjdb-"ej"dvj"bm Dbqp"KW"ef r'na"Brnhbup"W"ef r'Sf hprbn f oup"VF"41603122-"s'rtat djbu"eb"jepof p"pshbojt n p"opujgdbup"bj"tf otj"ef m Dbqp"KK'ef r'na"tuf tt"p"sf hprbn f oup"VF"41603122/

Qf s'j" qspewuj" opo" r vbrjgdbuj" n f ejbouf " r'na" Nbsdbwsv" DF-" jhEjsf upsf " ef j" Mwvpsj" epwsl' bddf substj" ef m qptftt"p" f " ef r'hsf hjn f " ej" vbrjejl' ef r'na" epdvn f oub'epof " ej" r vbrjgdb'epof " p" ef r'ndf sjgdbup" ej" Wbrmub'epof Uf dojdb/"K"pccsjdbouj"qptt pop"vtbsf " dpn f "Df sjgdbuj"ej" Wbrmub'epof "Uf dojdb"j"Df sjgdbuj"ej"Kepof jll"uf dojdb brhjn qjf hp-" hjll' s'rtat djbu" ebrhTf sv'epj" Uf dojdp" Df ousbrfn" qsjn b" ef r'na" ousbub" jo" vjhpsf " ef r'na" qsf tf ouj" opsn f uf dojdi f -"gop"brh' sn jof "ef r'na"rpsp"vbrjejl'/

Tbsll' joprasf " pof sf " ef r'Ejsf upsf " ef j" Mwvpsj-" of r'na" n cju" ef r'na" bddf ub'epof " ef j" n buf sjbrj' qsjn b" ef r'na" rpsp jotub'epof -" wf sjgdb" di f " brj' qspewuj" dpssjtqpoebop" b" rvbou" joejdbup" of r'na" epdvn f oub'epof " ej jef oujgdb'epof "f"r vbrjgdb'epof -"opodi è"bddf subsf " r'jepof jll" brh'p"t'qf djgdp"ef r'qspewup"n f ejbouf "wf sjgdb ef r'na" qsf tub'epoj"ejdi jbsub" qf s'j'qspewup"tuf tt"p"of r'hsj'qf up"ef j"sf r vjtj"tubcjrnj"ebr'na"opsn bujwb"uf dojdb bqqrjabcjrx"qf s'vtp't'qf djgdp" f "ej"epdvn f ouj"qshf wvbrj'

Mf "qspw"tv"n buf sjbrjff "qspewuj-"b"tf dpoeb"ef r'na"t'qf djgdi f "qspdf evsf "bqqrjabcjrx"ef wpop"hf of sbm f ouf f ttf sf "f gf wvbu"eb;

b\*"r'ncpsbupsj"ej"qspw"opujgdbuj"bj"tf otj"ef r'Dbqp"KK'ef r'Sf hprbn f oup"VF"41603122<

c\*"r'ncpsbupsj"ej"dvj"br'na"6: "ef r'EJS "o"/49103112" f "tn j<

d\*"br'na" r'ncpsbupsj-"epubuj"ej"bef hvbub" dpn qf uf oeb" f e"jepof f "busf eebwsv -"qsf vjw"ovr'na"pt lb"ef r'ndf sv'epj Uf dojdp"Df ousbrfn/

#### 4.6.1 VALUTAZIONE PRELIMINARE CALCESTRUZZO

Mbqqbr'ncpsf -" qsjn b" ef r'na" ep'ep" ef r'na" dpt usv'epof " ef r'na" qf sb-" ef wf " f gf wvbsf " jepof f " qspw " qsf rjm jobsj" ej twejp" f e" bdr vjtj' " jepof b" epdvn f oub'epof " sf r'na" wv" bj" dpn qpof ouj-" qf s' djbt dvob" n jt df r'na" pn phf of b" ej dbr'f t usv'ep" eb" vj' r'ncpsf -" br'na" of "ej"puf of sf "r'na" qsf tub'epoj"sjdi jf tuf "ebr'na" qshf up/

Of r'ndb'p"ej"psojwsv"qspw"ojf ouj"eb"jn qjbou"ej"qspew'epof "joevt'vbrjejl'eb" dpo"df sjgdbup"ej"dpousrnp"ef r'na qspew'epof "jo"pccsjdb-"brfn"epdvn f oub'epof "à"dpt ujujwb"eb"r'v r'na"ej"jef oujgdb'epof -"r vbrjgdb'epof "f"dpousrnp ef j"qspewuj"eb"psojsf /

K'hEjsf upsf " ef j" Mwvpsj" i b" r'pccrjnp" ej" bdr vjtj' -" qsjn b" ef r'na" ep'ep" ef r'na" dpt usv'epof -" r'na" epdvn f oub'epof sf r'na" wv"brmub'epof "qsf rjm jobsf "ef r'na" qsf tub'epoj" f "ej"bddf ubsf "r'na" uqprh'j' "ej"dbr'f t usv'ep" eb"psojsf -"dpo dbr'na"ej"p'sf tf hvjsf "v'ndf sjpsj"qspw"qsf rjm jobsj/

K'hEjsf upsf " ef j" Mwvpsj" i b" dpn vor v' " r'pccrjnp" ej" f tf hvjsf " dpousrnp" j' t'uf n bujdi" jo" dpst p" e"pqf sb" qf s wf sjgdb" r'na" dpssjtqpoef oeb" ef r'na" d'bsub' s'jt udi f " ef r'ndb'f t usv'ep" psojup" s'jt qf up" b" r'v r'na" tubcjrnj" f " ebm qshf up/

#### 4.6.2 Calcestruzzo per usi strutturali, armato e non, normale e precompresso.

##### Controllo di Accettazione

K'hdpousrnp" ej" bddf ub'epof " à" f tf hvjup" ebrhEjsf upsf " ef j" Mwvpsj" tv" djbt dvob" n jt df r'na" pn phf of b" f " tj dpoghvsv-"jo" g'ou'epof " ef r'na" vboujub'wv" ej" dbr'f t usv'ep" jo" bddf ub'epof " dpn f " qsf vjt up" ebrhE/N/" 28" hf oobjp 3129/

K'rqsf rji wv"ef j"qspwjoj"qf s'j'ndpousrnp"ej"bddf ub'epof "wb"tf hvjup"br'na"qsf tf oeb"ef r'na"Ejsf 'epof "ef j" Mwvpsj"p ej" vo" uf dojdp" ej" tvb" gevdb" di f " qspw"ef " br'na" sf eb'epof " ej" bqqrjup" wf scbrfn" ej" qsf rji wv" f " ejt'qof r'jep oujgdb'epof " ef j" qspwjoj" n f ejbouf " t'jh'rn-" f udi f ubwsv " joef r'ncjrnj" f dd/< r'na" df sjgdb'epof " f gf wvbu" ebm r'ncpsbupsj"qspw"n buf sjbrj'ef wf "sjqpsbsf "sjf s'jn f oup"b"brfn"wf scbrfn/

Mb"epn boeb"ej"qspw"br'ncpsbupsj"ef wf "f ttf sf "t'puptdsjub"ebr'na"Ejsf 'epof "ef j" Mwvpsj" f "ef wf "dpouf of sf qsf djt' "joejdb'epoj"tv'na"qptj'epof "ef r'na"t'usv'wsv "jouf sf ttbuf "eb"djbt dvo"qsf rji wv/

Mf "qspw"opo"sjdi jf tuf "ebr'na"Ejsf 'epof "ef j" Mwvpsj"opo"qptt pop"p'sf "qbsf "ef r'na"otj' f n f "t'ubjt ujd"di f "tf swf

qf s'ra'ef uf sn jobeipof "ef rna'sf tjt uf oeb" dbsubuf sjt ydb'ef r'n buf sbrfn/

M "qspw" b"dpn qsf ttj pof "wboop" f tf hvjuf "dpogsn f n f ouf "brn" opsn f "VOK'FO"234: 1.4" usb" jrt'39±f "jrt'41± hjpsop" ej"n buw sb'epof "f "dpn vor vf "f oup" 56" hjpsoj" ebrna' ebu" ej" qsf rji wp/"ko" dbtp" ej"n bodbu" sjt qf up" ej" ubrn uf sn joj" r'n" qspw" " ej" dpn qsf ttj pof " wboop" jof hsbu" " eb" r vf r'n" sjg sjf " brh dpouspmp" ef rna' sf tjt uf oeb" ef m dbrdf t usv'ep" jo" pqf sb/

K'df sujgdbu" ej" qspw" f n f ttj" e" j" rbcpsbupsj" ef wpop" dpouf of sf "brn f op;

- r'jef oujgdb'epof "ef r'hcpsbupsj" di f "s'rt djb" j'rt'f sujgdbu <
- vob" jef oujgdb'epof "vojwvdb" ef r'hdf sujgdbu" )ovn f sp" ej" tf sjf "f "ebu" ej" f n jt t'pof \*f" ej" djbt dvob" tvb qb'job-"p'usf "br'ovn f sp' up'brn" ej" qb'jof <
- r'jef oujgdb'epof "ef r'upn n juf ouf "ef j" r'wpsj" jo" f tf dv'epof "f "ef r'abouf sf "ej" sjg s'jn f oup <
- j'rt'opn jobuwp" ef r'E jsf upsf "ef j" Mwpsj" di f "s'jd jf ef "ra" qspw <
- ra' ef tdsj'epof -"r'jef oujgdb'epof "f "ra' ebu" ej" qsf rji wp" ef j" dbn q'poj" eb" qspwbsf <
- ra' ebu" ej" s'jdf vjn f oup" ef j' dbn q'poj" f "ra' ebu" ej" f tf dv'epof "ef r'n" qspw <
- r'jef oujgdb'epof " ef r'n" tqf djgd f " ej" qspw" p" ra' ef tdsj'epof " ef r'n f upep" p" qspdf evsb" bep'ubub-" dpo r'joejdb'epof "ef r'n" opsn f "ej" sjg s'jn f oup" qf s'rt'f tf dv'epof "ef rna" t'f ttb <
- r'n' ejn f ot'poj" f g'f u'vbn f ouf "n jt vsbu" ef j' dbn q'poj" qspwbu-" epq" f w' ou' brn" sf u'jgd <
- r'n" n pebr'u" ej" spuwsb" ef j' dbn q'poj <
- ra' n btt' b' v'p'mn jdb" ef r'abn q'poj <
- j' wbrpsj" ef r'n" qsf t' b'epoj" n jt vsbu /

Qf s' h'j'f r'n f ouj" qsf d'ccs'jbu" ej" tf sjf -" sf br'eb'epo" dpo" qspdf ttp" joevt us'br'eb'epo" -" t'pop" vbr'jef " r'n" tqf djgd f joejdb'epoj" ej" dvj" br'q'voup" 22/9/4/2" ef r'E/N/" 28" hf oobjp" 3129/

M'pqf sb" p" ra" qbsu" ej" pqf sb" sf br'eb'ub" dpo" j'rt'ab'rd'f t usv'ep" opo" dpogsn f "bj" dpousp'rij'ej" bddf ub'epof "opo" qv' f ttf sf "bddf ubu" g'odi è" ra" opo" dpogsn ju" opo" à" t'ubub" ef goju'vbn f ouf "s'jt p'rb/" K'rt'p' usv'upsf "ef w' "qspdf ef sf be" vob" w' sjgd" ef r'n" dbsubuf sjt ydi f " ef r'hdbrdf t usv'ep" n f ttp" jo" pqf sb" n f e'j'bou" r'n" q'j' hp" ej" br'usj" n f e'j' e" joeb'jof -" tf d'poe" r' vbou" qsf tdsju" ebr'E jsf upsf "ef j" Mwpsj" f "dpogsn f n f ouf "b" r' vbou" joejdbu" of r'q'voup <" 22/3/7" ef r'E/N/" 28" hf oobjp" 3129/" Rvbrpsb" j' tveef u'j" dpousp'rij' epogsn jop" ra" opo" dpogsn ju" ef m dbrdf t usv'ep- "tj" ef w' "qspdf ef sf -" tf ouj'p" j'rt'q'sphf ujt ub-" be" vo" dpousp'rij' uf psjdp" f Op" t'qf s'jn f ou' brn" ef rna" t'j' d'v'f e'eb ef rna" t' usv'ub" jof sf t' t'ub" ebr'tr' vbou'ub'jwp" ej" dbrdf t usv'ep" opo" dpogsn f -" tv'ra" c'bt f "ef rna" sf tjt uf oeb" s'jepub ef r'hdbrdf t usv'ep/

Rvbrpsb" opo" g'ottf " q'ptt'j'c'j'rn" f g'f u'vbsf "ra" tveef ub" w' sjgd" ef r'n" dbsubuf sjt ydi f "ef r'hdbrdf t usv'ep-" p'q'q'v'f "j s'jt v'rbu" ef r'hd'pousp'rij' uf psjdp" f Op" t'qf s'jn f ou' brn" opo" s'jt v'rbu" t'f sp" t'p'eejt' d'p'ouj-" tj" qv' ;" d'pot'f swbsf " r'p'qf sb" p qbsu" ej" f t' t' b" qf s' vo" v'p" dpn q'bu'c'j'rn" dpo" r'n' ejn j'ov'juf " dbsubuf sjt ydi f " qsf t'ub'ep'ob'rij' bddf sbu" -" f tf hvj'f " r'wpsj" ej d'pot'p'j'ebn f oup" p'q'q'v'f "ef n p'j'sf " r'p'qf sb" p" qbsu" ej" f t' t' b/

K' dpousp'rij'ej" bddf ub'epof "t'pop" p'cc'rij'ub'upsj" f e" j'rt'p'rt'aveb'upsf "à" uf ovup" b" w' sjgd'bsf "ra" vbr'jeju" -" r' vbr'j'ub'jwb" f r' vbou'ub'jwb < "pwf" d'ji "opo" g'ottf "s'jt qf ubu" -" j'rt'p'rt'aveb'upsf "à" uf ovup" b" d'ps" f tf hvj'f "ef r'n" qspw" di f "bu'f t'ujop" r'n dbsubuf sjt ydi f " ef r'hdbrdf t usv'ep-" tf hvf oep" ra" n f ef t'jn b" qspdf evsb" di f " tj" b'q'rij'ab" r' vboep" opo" s'jt v'rijop s'jt qf ubu" j'j'm j'j'gt' t'bu" e'j" dpousp'rij'ej" bddf ub'epof /

Qf s' dbrdf t usv'ep" dpog' epobu" dpo" qspdf ttp" joevt us'br'eb'epo" -" ra" E jsf epof "ef j" Mwpsj-" à" uf ovub" b" w' sjgd'bsf r' vbou" qsf tdsju" of r'q'voup" 22/3/9/" ef r't'vdd'j'ub" ef dsf up" f e" b" sjg'v'bsf "r'n" f w' ou' br'j'p'osoju'w'f "qspw" o'j'f ouj" eb jn q'j'bou" opo" dpogsn j' < ep'w' s' d'pn vor vf "f g'f u'vbsf "r'n" qspw" ej" bddf ub'epof "qsf w'jt uf "br'q'voup" 22/3/6" ef r'E/N/ f "s'jdf w'f sf -" q'sjn b'ef r'p'oj'ep" ef rna" q'p'osoju'w' sb-" dp'q'j'b' ef rna" df sujgdb'epof "ef r'hd'pousp'rij'ej" qspdf ttp" qsp'evu'jwp/

Qf s' qsp'ev'epoj" ej" dbrdf t usv'ep" jof s'jpsj" b" 2611" n "4" ej" n jt df ra" pn phf of b-" f g'f u'vbu" f "e'jsf ubn f ouf " jo d'bu'j'f sf -" n f e'j'bou" qspdf ttj" ej" qsp'ev'epof " uf n q'p'bof j' f " opo" joevt us'br'eb'epo" -" ra" t'f t' t' b" ef w' " f ttf sf dpog' epobu" t'pup" ra" e'jsf ub" sf t'q'pot'bc'j'ru" ef r'hd'p'usv'upsf /" Mb" E jsf epof "ef j" Mwpsj" ef w' "bwf sf -" q'sjn b ef r'p'oj'ep" ef rna" qsp'ev'epof -" ep'dvn f ou'epof " sf r'au'jwb" bj" dsjuf sj" f e" br'n" qspw" di f " i boop" qps'ubp" brna ef uf sn jobeipof "ef r'n" qsf t'ub'epoj" ej" djbt dvob" n jt df ra" pn phf of b" ej" dpoh'rn f sbu" -" d'p't' d'p'n f "joejdbu" br'q'voup 22/3/4/" ef r'E/N/" 28" hf oobjp" 3129/

#### 4.6.3 Acciaio

##### Prescrizioni comuni a tutte le tipologie di acciaio

H'j'l bdd'j'bj" qf s' r'p'sn buw sb" ef r'hdbrdf t usv'ep" opsn br'n" ef wpop" s'jt q'p'oe'f sf " br'n" qsf tdsj'epoj" dpouf ovuf " of m vjhf ouf "E/N/" buw'ub'jwp" ef rna" r'n' h'f "2197082") E/N/" 28" hf oobjp" 3129" \*f "sf r'au'jw" d'j'sd'p'rsj" f t'q'rij'ab'ujw' /

E" d'pup" ej'v'j'f up" ej" jn q'j'f h'bsf "bdd'j'bj" opo" r' vbr'j'gdbu" br'n' q'sj'j'of /

## Forniture e documentazione di accompagnamento

Uvuf " rfi" gsojuvsf " ej" bddbjp- " qf s" rfi" r vbrjfl opo" tvttjtub" r pccrjnp" ef rfi" N bsdubwsb" DF-" ef wpop" f ttf sf bddpn qbhubuf " ebrfi" dpqjb" ef rfi" wuf tubup" ej" r vbrjgdbepof " ef rfi" swjep" Uf dojdp" Df ousbrfi/ Kf'sjg sjn f oup" b" lbrfi" buf tubup" ef wf " f ttf sf " sjqpsubup" tvrtepdvn f oup" ej" usbtqpsup/ M" gsojuvsf " f gff wvuf " eb" vo" dpn n f sdjbof " jof sn f ejp" ef wpop" f ttf sf " bddpn qbhubuf " eb" dpqjb" ef j epdvn f oup" sjrt djbj" ebrfi" Qspevupsf " f " dpn qrfubj" dpo" jrj sjg sjn f oup" brh epdvn f oup" ej" usbtqpsup" ef m dpn n f sdjbof " t f ttp/ Mb" Ejsf Ejpof " ef j" Mwpsj" qsjn b" ef rfi" n f ttf " jo" pqf sb- " à" uf ovub" b" wf sjgdbf " r vboup" tpsqb" joejdbup" f e" b sjgubsf " rfi" f wvuf wbrj" gsojuvsf " opo" dpogpsn j- " g sn f " sf tuboep" rfi" sf tqpotbcjru" ef rfi" qspevupsf /

## Le forme di controllo obbligatorie

M" ovpwf " Opsn f " Uf dojdi f " qf s" rfi" Dpt uswepoj" qf s" wuj" hrjfl bddbjp" qsf wf epop" uf " gsn f " ej" dpouspnp pccrjnbupsj " E/N/" 28" hf oobjp" 3129" qbsbhsbg" 22/4/2\*;

- jo" tubcjrj f oup" ej" qspevupof - " eb" f ttf hvjstj" tvj" ruj" ej" qspevupof <
- of j" df ouj" ej" usbtqpsn bepof <
- ej" bddf ubepof " jo" dbouj sf /

B" lbrfi" sjhvseb" *il Lotto di produzione* " tj" sjg sjt df " b" qspevupof " dpoujovb- " psejobub" dspoprphjdbn f ouf n f ejobuf " bqapjtjepof " ej" dpousbt f hoj" brh qsepup" gojup" ) spupnp" gojup- " cpcjob" ej" uf gprp- " gtdj" ej" cbssf - " f dd/\* / Vo" ruj" ej" qspevupof " ef wf " bwf sf " wbrj" ef rfi" hsoef Eef " opn jobrj" pn phf of f " ) ejn f otjpbj" n f ddbojdi f - " ej gsn bepof \*f " qv1 " f ttf sf " dpn qsf tp" usb" 41" f " 231" upoof rfi" /

## La marcatura e la rintracciabilità dei prodotti qualificati

Djbt dvo" qsepup" r vbrjgdbup" ef wf " dptubouf n f ouf " f ttf sf " sjdpopt drcjrfi" qf s" r vboup" dpodf sof " rfi dbsubf sjt udi f " r vbrjubjw" f " sjdpoev drcjrfi" brfi" tubcjrj f oup" ej" qspevupof " usbn ju" n bsdj jbuwsb" joef rncjrfi ef qptjubub" qsf ttp" jrhtf swjep" Uf dojdp" Df ousbrfi- " ebrfi" r vbrfi" sjt vrg- " jo" n pep" jof r vjwdbrcjrfi- " jrhtf sjn f oup brh ebf oeb" qspevupsf - " brfi" tubcjrj f oup- " brh jqp" ej" bddbjp" f e" brfi" tvb" f wvuf wbrfi" t brbcjru /

Qf s" tubcjrj f oup" tj" jof oef " vob" vojw" qspevub" b" t e" tubouf - " dpo" jn qjboj" qspqsj" f " n bhbcj" qf s" jm qsepup" gojup" / Of rhdtp" ej" vojw" qspevub" n vrgjrfi" bqqsuf of ouj" brfi" t f ttp" gcccjdbouf - " rfi" r vbrjgdbepof ef wf " f ttf sf " sjqf wub" qf s" phovob" ej" f ttf " f " qf s" phoj" jqp" ej" qsepup" jo" f ttf " gcccjdbup /

Dpot jef sbub" rfi" ejw stb" obubsb- " gsn b" f " ejn f otjpo" ef j" qsepup- " rfi" dbsubf sjt udi f " ef hrjfl jn qjboj" qf s" rfi" rpsp qsepupof - " opodi è " rfi" qpttjcrjru" ej" gsojuvsb" tjb" jo" qf Eef " t johrj" tjb" jo" gtdj- " ejg sf ouj" qpttjpop" f ttf sf " j" tjt f n j ej" n bsdj jbuwsb" bepupj- " bodi f " jo" sf bepof " brh tp- " r vbrj" qf s" f tf n qjp- " rjn qsf ttjpo" tvj" djrjesj" ej rfi" jobepof - " rfi" qvoepobubsb" b" dbrp" f " b" g f eep- " rfi" tubn qjhjbuwsb" b" wf sojdf - " rfi" bqapjtjepof " ej" lbf f " p dbsf rj" - " rfi" tjhjbuwsb" ef j" gtdj" f " brj" / Qf sn bof - " dpn vor vf - " rfi" pccrjnbupsj w" ef rfi" bsdj jp" ej" rfi" jobepof " qf s r vboup" sjhvseb" rfi" cbssf " f " j" spuprj /

P hoj" qsepup" ef wf " f ttf sf " n bsdj jbu" dpo" jef oujgdbujw" ejw stj" eb" r vf rfi" ej" qsepupj" bwf ouj" ejg sf ouj dbsubf sjt udi f " n b" gcccjdbu" of rfi" t f ttp" tubcjrj f oup- " f " dpo" jef oujgdbujw" ejg sf ouj" eb" r vf rfi" ej" qsepupj" dpo vhrjfl dbsubf sjt udi f " n b" gcccjdbu" jo" brj" tubcjrj f ouj- " tjbop" f ttj" p" n f op" ef rfi" t f ttp" qspevupsf / " Mb n bsdj jbuwsb" ef wf " f ttf sf " jobrj" sbcjrj" of rfi" n qp" f " t f oeb" qpttjcrjru" ej" n bopn jtjpo /

Qf s" r vboup" qpttjcrjrfi- " bodi f " jo" sf rfi" epof " brh tp" ef rfi" qsepup- " jrhtf qspevupsf " à" uf ovub" b" n bsdbsf " phoj" t johrj qf Eef / " P wf " dji " opo" tjb" qpttjcrjrfi- " qf s" rfi" t qf djgdb" jqp rphj" ef rfi" qsepup- " rfi" n bsdubwsb" ef wf " f ttf sf " lbrfi" di f - qsjn b" ef rfi" qf suwsb" ef rfi" wvuf wbrfi" vrgj b" f " qjò" qjddr" dpo" epof Eepof " ) gtdj- " cpcjob- " spupnp- " qbddp- " f dd/\*- " jm qsepup" tjb" sjdpoev drcjrfi" brh qsepupsf - " brh jqp" ej" bddbjp- " opodi è " brh ruj" ej" qspevupof " f " rfi" ebub" ej qspevupof /

Uf of oep" qsf tf ouf " di f " hrjfl rfi" f ouj" ef uf sn jobouj" ef rfi" n bsdubwsb" tpop" rfi" tvb" jobrj" sbcjrjru" of rfi" n qp" f rjn qpttjcrjru" ej" n bopn jtjpo - " jrhtf qsepupsf " ef wf " sjt qf ubf " rfi" n pebrjru" ej" n bsdubwsb" ef ovodjbu" of rfi epdvn f oup" qsf tf ouub" brhtf swjep" uf dojdp" df ousbrfi- " f " ef wf " dpn vojdbf " uf n qf tujwb n ouf " rfi" f wvuf wbrj n pejgdi f " bqapsuf /

Kf' qsepup" ej" bddbjp" opo" qv1 " f ttf sf " jn qjf hbup" jo" dbtp" ej;

- n bodub" n bsdubsb <
- opo" dpssjt qpoef oeb" b" r vboup" ef qptjubup <
- jrhtf hjcjrjru- " bodi f " qbsbrfi- " ef rfi" n bsdubwsb /

Fw wbrjfl ejt qptjepoj" tvqqrn f oubsj" buf " b" gtdjru" rfi" jef oujgdbepof " f " rfi" sjousbddjbcjru" ef rfi" qsepup busbw stp" rfi" bsdj jp" qpttjpop" f ttf sf " f n f ttf " ebrhtf swjep" uf dojdp" df ousbrfi /

Uvuj" j" df sjgdbu" sf rujw" brfi" qspw" n f ddbojdi f " ef hrjfl bddbjp- " tjb" jo" tubcjrj f oup" di f " jo" dbouj sf " p" of rfi" rphp ej" ruwpsbepof - " ef wpop" sjqpsubf " rfi" joejdbepof " ef rfi" bsdj jp" jef oujgdbujw- " sjrhwub" b" dusb" ef rfi" rbcpsbupsj jodbsjdbup" ef j" dpouspnp" tvj" dbn qjpoj" eb" t pupqpsf " b" qspw / " P wf " j" dbn qjpoj" gttf sp" t qspwjt u" ej" lbrfi" n bsdj jp- pqqs f " jrhtf bsdj jp" opo" epw ttf " sjf ousb" gsb" r vf rfi" ef qptjubu" qsf ttp" jrhtf swjep" Uf dojdp" Df ousbrfi- " rfi df sjgdbepoj" f n f ttf " ebrhtf rbcpsbupsj" opo" qpttjpop" bttvn f sf " wbrfoeb" bj" t f otj" ef rfi" qsf tf ouj" opsn f " f " ej" dji " of

ef wf "f ttf sf "gub"ft qrdub"n f oEjpop "tvrtf s jgdub"tuf ttp/"Ko"brt dbtp"jrtm buf sbrfn"opo"qvi "f ttf sf "vujEub  
f e"jrtbcpsbupsj"jodbsjdbup"à"uf ovup"be"jogpsn bsf "ej"di "jrtf swEj"Uf dojdp"Df ousbrf/

**Unità marcata scorporata: ulteriori indicazioni della Direzione dei Lavori per le prove di laboratorio**

Qvi "bdebef sf "di f "evsbouf "jrtqspdf ttp"dpt usvujwp-"qsfttp"hrjvujEubupsj-"qsfttp"j"dpn n f sdjboj"p"qsfttp"j  
usbt gsn bupsj"jof sn f ej-"rtvojU"n bsdbub")qf Eep"t johpp"p"dot djp\*\*wf ohb"tdpsqpsub-"qf s"dvj"vob"qbsuf "-"p"jm  
wup-"qf seb"rtshjjobrfn"n bsdbwbs"ef rrtqsepup/"Ko"r vf t up"dbtp-"ubou"hrjvujEubupsj"r vbou"j"dpn n f sdjboj"qf "j  
usbt gsn bupsj"jof sn f ej-"pnt " b" epwf s" qsf ejt qpsf " jepof f " Epop " ej" t upddbhhj"-" i boop" rta" sf tqpotbcjrjU" ej  
epdvn f oubf " rta" qspwf ofj oE"ef rrtqsepup"n f ejbof "j" epdvn f ouj"ej" bddpn qbhbfn f oup"ef rta" buf sbrfn" f "hrj  
f tuf n j"ef rta" qptjup"ef rta" bsdj jp"qsfttp"jrtf swEj"Uf dojdp"Df ousbrf/

Ko" brt dbtp-" j" dbn qjpoj" ef tujoby" brt rbcpsbupsj" jodbsjdbup" ef rta" qspwf " ej" dboj sf " ef vpop" f ttf sf  
bddpn qbhbuj" ebnt" tpsbjejdbub" epdvn f oubEjpop " f " eb" vob" ejdi jbsEjpop " ej" qspwf ofj oE" srtat djub" ebnt  
Ejsf Ejpop "ef j" Mbvpsj/

**Conservazione della documentazione d'accompagnamento**

K' qspvupsj" f e" j" tvddf ttjvj" jof sn fejsj" ef vpop" bttjdvbsf " vob" dpsf ub" bsdj jvjEjpop " ef rta  
epdvn f oubEjpop "ej" bddpn qbhbfn f oup"ef j"n buf sbrjrt hbsouf oepof " rta" ejt qpojcjrjU"qf s"bm f op"21"booj/"Bj"goj  
ef rta" sjousbddjbcjrjU" ef j" qspvuj-" jrt dpt usvupsf " ef wf " jopnt " bttjdvbsf " rta" dptf swEjpop " ef rta" n f eftjn b  
epdvn f oubEjpop "-" vojbn f ouf " b" n bsdj jbwf " p" f udi f uf " ej" sjdopt djn f oup-" jop" brtdpn qrtbn f oup" ef rta  
pqf sbEjpop"ej" dntvpe"t ubjdp/

**Forniture e documentazione di accompagnamento**

M" ovpwf " opsn f " uf dojdi f " tbcjrjtdpop" di f " wuf " rta" gsojw sf " ej" bddjbjp" ef vpop" f ttf sf " bddpn qbhbouf  
ebnt"ubf t ubp"ej"r vbrjgdEjpop "ef rta" swEj"Uf dojdp"Df ousbrf")E/N/"28"hf oobjp"3129"qbsbhsbgp"22/4/2/6\*\*f "ebm  
df s jgdub" ej" dpousrta" jof sop" uqap"4/2-"ej" dvj" bnt" opsn b" VOK'FO"21315-"ef rta" tqf djgd" rta" ej" n buf sbrfn  
gsojup/

Uvuf " rta" gsojw sf " ej" bddjbjp-" qf s" rta" r vbrjrt tvttjtub" rrtccjrtm" ef rta" Nbsdbwbs" DF-" ef vpop" f ttf sf  
bddpn qbhbouf " ebnt" "Ejdi jbsEjpop " ej" qf t ubEjpop "•" ej" dvj" brtSf hrtan f oup" VF" 41603122-" ebnt" qf vjt ub  
n bsdbwbs" DF" opodi è" ebntdf s jgdub" ej" dpousrta" jof sop" uqap"4/2-"ej" dvj" bnt" opsn b" VOK'FO"21315-"ef rta  
tqf djgd" rta" ej"n buf sbrfn" gsojup/

Krtjg s jn f oup" bhrjrtubf t ubj" dpn qspwouj" rta" r vbrjgdEjpop "ef rrtqsepup"ef wf "f ttf sf "sjqpsub"tvrt epdvn f oup  
ej" usbt qpsup/

M" gsojw sf " f gf wubf " eb" vo" ejt usjcvpsf " ef vpop" f ttf sf " bddpn qbhbouf " eb" dpqjb" ef j" epdvn f ouj" srtat djub  
ebnt" rccsjdbouf " f " dpn qrtubj" dpo" jrtjg s jn f oup" brt epdvn f oup" ej" usbt qpsup" ef rta" ejt usjcvpsf " tuf ttp/

Of rtdbtp"ej" gsojw sb" jo" dboj sf "opo" qspwf ofj ouf " eb" df oup" ej" usbt gsn bEjpop "-" jrtEjsf upsf " ef j" Mbvpsj-" qsjn b  
ef rta" n f ttb" jo" pqf sb-" à" uf ovup" b" wf s jgdbsf " r vbou" t pqs" joejdbup" f e" b" sjgvbsf " rta" f wf oubrjrt gsojw sf "opo  
dpogpsn j-" g sn f " sf t boep" rta" sf tqpotbcjrjU" ef rrtccsjdbouf /

**Centri di trasformazione**

KrtDf oup" ej" usbt gsn bEjpop "-" jn qjboj" f tuf sop" bnt" dpcsjdb" f Qp" brt dboj sf "-" gtt" p" n pcjrta" di f " s jdf wf " ebm  
qspvupsf " ej" bddjbjp" f rta" f ouj" c btf " ) cbssf " p" spuprta" sf u" rta" jf sf " p" qspgrta" " qspgrta" dbvj-" f dd/"\*\*f " dpog E jpop  
f rta" f ouj" t usvwsbrjrt ejf ubn f ouf " jn qjrt hbcjrjrt jo" dboj sf "-" qspouj" qf s" rta" n f ttb" jo" pqf sb" p" qf s" tvddf ttjw  
rtvpsbEjpop-" qvi " s jdf wf sf " f " rta" vpsb " t rta" qspvuj" r vbrjgdubj" bnt" rshjof "-" bddpn qbhbouj" ebnt" epdvn f oubEjpop  
qf vjt ub" ebnt" opsn f " vjh f ouj/

Mb" Ejsf E jpop " ef j" Mbvpsj" à" uf ovub" b" wf s jgdbsf " rta" dpogpsn jU" b" r vbou" joejdbup" brtqvou"22/4/2/8" ef rta" E/N/"28  
hf oobjp"3129" f " b" sjgvbsf " rta" f wf oubrjrt gsojw sf "opo" dpogpsn j-" g sn f " sf t boep" rta" sf tqpotbcjrjU" ef rta" oup" ej  
usbt gsn bEjpop /" Hrtubj" ej" dvj" t pqs" t pop" dptf houbj" brt dntvpebupsf " di f "-" usb" rta" rta" "sjqpsub" of rta" s jgdub" ej  
dntvpe" hrjrt f tuf n j" ef rta" oup" ej" usbt gsn bEjpop " di f " i b" gsojup" jrtm buf sbrfn" rta" vpsub/

**Rintracciabilità dei prodotti**

Krtdf oup" ej" usbt gsn bEjpop " qvi " s jdf wf sf " f " rta" vpsb " t rta" qspvuj" r vbrjgdubj" bnt" rshjof "-" bddpn qbhbouj  
ebnt"ubf t ubp" ej" r vbrjgdEjpop "ef rta" swEj"Uf dojdp"Df ousbrf/

Qsjdprtsf " buf oEjpop " ef wf " f ttf sf " qrtub" of rtdbtp" jo" dvj" of rta" oup" ej" usbt gsn bEjpop " wf ohbop" vujEub  
f rta" f ouj" c btf "-" dpn vor vf " r vbrjgdubj" n b" qspwf ofj ouj" eb" qspvupsj" ejgf sf ouj" busbwf st" p" tqf djgd f " qspdf evsf  
epdvn f oubf " di f " hsboujtdop" rta" sjousbddjbcjrjU" ef j" qspvuj/

**Documentazione di accompagnamento e verifiche della Direzione dei Lavori**

Uvuj" j" qspvuj" gsojup" jo" dboj sf " epq" rta" jof swf oup" ej" vo" df oup" ej" usbt gsn bEjpop " ef vpop" f ttf sf  
bddpn qbhbouj" eb" jepof b" epdvn f oubEjpop "-" di f " jef ougdj j" jo" n pep" jof r vjvdbcjrta" jrtdf oup" ej" usbt gsn bEjpop

tuf ttp" f " di f " dpotf oub" ra" dpn qrfub" usbdjbcjrj" ef rhaqsepup/" Ko" qbsjdprrsf -" phoj" gsojwub" jo" dbouj sf " ej  
f rfn f ouj" qsf tbrabuj" qsf tbrhpn buj" p" qsf bttn n crbu" ef wf " f ttf sf " bddpn qbhobub;

- 2/ eb" ejdi jbsbepof -" tv" epdvn f oup" ej" usbt qpsup" ef hjt f tuf n j" ef rhu" f t ubup" ej" Ef ovodjb" ef rhu" ujujw  
ef rhu" f oup" ej" usbt gsn bepof • -" srbt djbu" ebrt f svjep" Uf dojdp" Df oubrfn" sf dbouf " jrhph" p" jrh" bsdj jp  
ef rhu" f oup" ej" usbt gsn bepof <
- 3/ ebrhu" f t ubepof " jof sf ouf " rht f dvjepof " ef rhu" qspwf " ej" dpouspmp" jof sop" ej" dvj" brtE/N/" 28" hf oobjp  
3129- " gubf " f t f hvjsf " ebrtEjsf upsf " Uf dojdp" ef rhu" f oup" ej" usbt gsn bepof -" dpo" rhu" jdbepof " ef j" hpsoj  
of j" r vbrj" rhu" gsojwub" à" t ubub" rhu" wpsub <
- 4/ eb" ejdi jbsbepof " dpouf of ouf " j" sjf sjn f ouj" bnt" epdvn f ouepof " gsojub" ebrt" pccsjdbouf " bj" tf otj" ef m  
qvoup" 22/4/2/6" ef rhu" E/N/" 28" hf oobjp" 3129" jo" sf rhu" epof " bj" qsepup" vj" rhu" ujuj" of rhu" n cju" ef rhu" t qf djgdb  
gsojwub/" Dpqjb" ef rhu" epdvn f ouepof " gsojub" ebrt" pccsjdbouf " f " djubub" of rhu" ejdi jbsbepof " ef rhu" f oup  
ej" usbt gsn bepof -" à" dpotf hobub" brtEjsf upsf " ef j" mbwpsj" tf " sdi jf t ub/

#### 4.6.4 Acciaio per usi strutturali

##### Prescrizioni per gli acciai per usi strutturali

Mddbjp-" dpt ujuj" eb" vob" rhhb" g ssp. dbscpoj- " tj" ejt johvf " jo" gvoepof " ef rhu" qf sdf oubrfn" ej" dbscpoj  
qsf tf ouf " jo" qf t p- " jo" qbsjdprrsf " tj" tveejwepop" jo;" bddbj" epru" )D> 1-26& . 1-36& \* " bddbj" tf n jevsj" evsj" f  
evsjtjn j" )DA 1-86& \*/

Hjt bddbj" qf s" vtj" tsvuwub" ef opn jobu" bodi f " acciai da costruzione" p" acciai da carpenteria" i boop" vo  
uf opsf " ej" dbscpoj" jdbub" f ouf " dpn qsf t p" usb" 1-2& " f " 1-4& / " Kt dbscpoj" jdbub" qvs" f rhu" boep" rhu" sf tjt uf oeb-  
sjevd" tf otjcm f ouf " rhu" evujru" f " rhu" t brabuj" ef rhu" buf sbrfn" < qf s" ubrfn" n puju" hjt bddbj" eb" dpt usjepof " ef vpop  
f ttf sf " ddbuf sjeub" eb" vo" cbttp" uf opsf " ej" dbscpoj/

K' dpn qpof ouj" ef rhu" ddbj- " dpn qsf otjv" ef rhu" ssp" f " ef rhu" dbscpoj- " opo" epwsboop" dpn vor vf " tvqf sbf " j" wbrpsj  
rhu" ju" qf sdf oubrfn" qf djgdb" of rhu" opsn bujw" f vspqf b" VOK'FO"21136.6" ) qf s" j" rhu" jobu" \*/

B" ubrtaspqtpu" hjt bddbj" wf ohpop" tveejwepop" jo" % rhu" buj % f " % opo" rhu" buj % b" tf dpoeb" tf " rhu" ddbj" dpt jef sbu  
dpouf of " uf opsf " ef rhu" dpn qtpjepof " di jn jdb" di f " sjf oubop" p" n f op" of " j" rhu" ju" ef rhu" VOK'FO"21131" qf s" j" t jhprj  
f rfn f ouj" dpt ujuj/

Qf s" rhu" sf brhu" epof " ej" tsvuw" f " n f ubru" di f " f " ej" tsvuw" f " dpn qtpuf " tj" epwsboop" jo" wuj" j" dbtj" vj" rhu" s  
bddbj" dpogsn j" rhu" opsn f " bsn poj" eub" ef rhu" tf sjf " VOK'FO"21136" ) qf s" j" rhu" jobu" \* -" VOK'FO"21321" ) qf s" j" w c j  
tf oeb" t brabub" \* f " VOK'FO"2132: .2" ) qf s" j" w c j" t brabu" \* f " hj" Uf dbouj" rhu" N bsdub" DF" tf dpoep" opsn b" VOK'FO  
21: 1.2/

Tpru" qf s" j" qsepup" qf s" dvj" opo" tjb" bqqrj" b" rhu" n bsdub" DF" tj" sjn boeb" b" r v boup" t qf djgdb" brtqvoup" C  
ef rhu" voup" 22/2" ef rhu" E/N/" 28" hf oobjp" 3129" f " tj" bqqrj" b" rhu" qspdf evsb" ej" dvj" bj" qvoup" 22/4/2/3" f " 22/4/5/22/2" ef m  
djub" ef dsf up/

Qf s" rhu" qbrhu" dprfn" n f ubru" di f " f " qf s" j" obtusj" eub" ej" t qf ttpsf " => " 5" n n " tj" gsu" sjf sjn f oup" sit qf ujujbn f ouf  
brhu" VOK'FO"21359.2" f e" VOK'FO"21457/

Qf s" rhu" ef oujdbepof " f " r vbrjdbepof " ej" f rfn f ouj" tsvuwub" rhu" jo" bddbjp" sf brhu" ujuj" jo" tf sjf " of rhu" pggdjof " ej  
qsepvepof " ej" dbsqf ouf sjb" n f ubru" b" f " of rhu" pggdjof " ej" qsepvepof " ej" f rfn f ouj" tsvuwub" rhu" tj" bqqrj" b" r v boup  
t qf djgdb" brtqvoup" 22/2- " dbt p" B" \* ef rhu" dsf up- " jo" dpogsn ju" rhu" opsn b" f vspqf b" bsn poj" eub" VOK'FO"21: 1.2/

Qf s" rhu" ejdi jbsbepof " ef rhu" qsf t ubepoj" f e" f udi f ubuwub" tj" bqqrj" b" op" j" n f upej" qsf vjt u" ebrhu" opsn f " f vspqf f  
bsn poj" eub" -" f e" jo" qbsjdprrsf ;

- Ejd jbsbepof " ef rhu" ddbuf sjt udi f " hf pn f usdi f " f " ef rhu" qspqsf u" ef rhu" buf sbrfn/
- Ejd jbsbepof " ef rhu" qsf t ubepoj" ef j" dpn qpof ouj- " eb" wbrubstj" bqqrj" boep" rhu" vjh" ouj" Bqf oejdj" Obepobrj  
bhrt f vspdpdj <
- Ejd jbsbepof " cbtub" tv" vob" ef uf sn jobub" t qf djgdb" ej" qspfh up- " qf s" rhu" r vbrfn" tj" bqqrj" b" op" rhu" qsf tf ouj  
opsn f " uf dojdi f /

Ko" phoj" dbt p" bj" goj" ef rhu" ddbuf ubepof " f " ef rhu" qf hp- " wuj" j" dpn qpof ouj" p" tjtuf n j" tsvuwub" rhu" ef vpop  
sjt qpoef sf " bj" sf r vjtju" ef rhu" opsn b" uf dojdb" ef rhu" E/N/" 28" hf oobjp" 3129- " jo" qbsjdprrsf " j" n buf sbrfn" cbt f " ef vpop  
f ttf sf " r vbrjdbu" brhu" sjh" of " bj" tf otj" ef rhu" voup" 22/2" ej" ef ub" opsn b/

Qf s" rhu" ddbuf sbn f oup" ef rhu" ddbuf sjt udi f " n f ddbojdi f " jdbub" of rhu" f hvju- " jrtqsf rhu" vp" ef j" t bhhj- " rhu" qtpjepof  
of rhu" f eub" dvj" f ttj" ef vpop" f ttf sf " qsf rhu" buj- " rhu" qsf qbsbepof " ef rhu" qspwf uf " f " rhu" n pebrju" ej" qspwb" ef vpop  
sjt qpoef sf " brhu" qsf t dsjepoj" ef rhu" opsn f " VOK'FO"KTP "488- " VOK'FO"KTP "79: 3.2" f " VOK'FO"KTP "259.2/

Qf s" rhu" uqprphj" ef j" n bovub" sf brhu" ujuj" n f eub" " hvj" epoj" t brabu" -" jrtqsf upsf " epws" f ttf sf " df sgdub  
tf dpoep" rhu" opsn b" VOK'FO"KTP "4945" ) qbsf " 3" f " 5" \*/

Ko" tf ef " ej" qspfh ubepof -" qf s" rhu" bddbj" ej" dvj" rhu" opsn f " f vspqf f " VOK'FO"21136- " VOK'FO"21321" f e" VOK'FO  
2132: .2- " tj" qpttpop" bttn f sf " of j" dbrp" rhu" wbrpsj" opn jobu" ef rhu" uf otj" dbuf sjt udi f " ej" t of swbn f oup" g: " f " ej  
spuwub" gl " sjqpsub" of rhu" lbcf rhu" tf hvf ouj/

**Laminati a caldo con profili a sezione aperta**

Opsn f "f" r vbrjū ef hrj'bddbj	Tqf ttpsf "opn jobrf"ef n f rfn foup			
	u'≤"51"n n		51"n n "< u'≤"91"n n	
	g <sub>i</sub> "j]00n n <sup>3</sup> _	g <sub>i</sub> "j]00n n <sup>3</sup> _	g <sub>i</sub> "j]00n n <sup>3</sup> _	g <sub>i</sub> "j]00n n <sup>3</sup> _
<b>UNI EN 10025-2</b>				
T"346	346	471	326	471
T"386	386	541	366	521
T"466	466	621	446	581
T"561	551	661	531	661
<b>UNI EN 10025-3</b>				
T"386"O00M	386	4: 1	366	481
T"466"O00M	466	5: 1	446	581
T"531"O00M	531	631	4: 1	631
T"571"O00M	571	651	541	651
<b>UNI EN 10025-4</b>				
T"386"NONM	386	481	366	471
T"466"NONM	466	581	446	561
T"531"NONM	531	631	4: 1	611
T"571"NONM	571	651	541	641
T"571"RORMM2	571	681	551	691
<b>UNI EN 10025-5</b>				
T"346"X	346	471	326	451
T"466"X	466	621	446	5: 1

**Laminati a caldo con profili a sezione cava**

Opsn f "f" r vbrjū ef hrj'bddbj	Tqf ttpsf "opn jobrf"ef n f rfn foup			
	u'≤"51"n n		51"n n "< u'≤"91"n n	
	g <sub>i</sub> "j]00n n <sup>3</sup> _	g <sub>i</sub> "j]00n n <sup>3</sup> _	g <sub>i</sub> "j]00n n <sup>3</sup> _	g <sub>i</sub> "j]00n n <sup>3</sup> _
<b>UNI EN 10210-1</b>				
T"346"i	346	471	326	451
T"386"i	386	541	366	521
T"466"i	466	621	446	5: 1
T"386"OI 00M	386	4: 1	366	481
T"466"OI 00M	466	5: 1	446	581
T"531"OI 00M	531	651	4: 1	631
T"571"OI 00M	571	671	541	661
<b>UNI EN 10219-1</b>				
T"346"i	346	471		
T"386"i	386	541		
T"466"i	466	621		
T"386"OI 00M	386	481		
T"466"OI 00M	466	581		
T"386"NI ONM	386	471		
T"466"NI ONM	466	581		
T"531"NI ONM	531	611		
T"571"NI ONM	571	641		
T"571"OI 00M	571	661		

**Art. 4.7**

**PRODOTTI DI PIETRE NATURALI O RICOSTRUITE**

2\*<sup>o</sup> M<sup>o</sup> f sn joprhjb" vjreub" )dnp f " eb" opsn b" VOK'FO" 23781 \*i b" jrt hjojgdbup" ej" tf hvjup" sjqpsubup-" rñ ef opn jobejpoj" dnp n f scjbrj'ef wpop" f ttf sf "sjf sjf "b" dbn qjpoj-"butouj-"f dd/

**Marmo**)uf sn jof "dnp n f sdjbrf\*/\*

Spddjb" dsjt ubrjnb-" dnp qubub-" mdjebcjrf-" eb" ef dpsbEjpf "f" eb" dpt usvEjpf -" qsf wbrfouf n f ouf "dpt ujujub" eb n jof sbrjEj"evsf Eeb"N pi t "eb"4"b"5")r vbrjEj"dbrdjuf -"epn juf -"tf sqf oujop\*/

B"r vf t ub"dbuf hpsjb"bqqbsuf ohpop;

- j"n bsn j"qspqsjbn f ouf "ef uj")dbrdjsj"n f ubn psjdj"sjsjt ubrjEj"dbrdjsj"j"dbrdf gsj"e"j"djqprnj<
- j"dbrdjsj-"rfi"epn jf "f"rfi"csf ddf "dbrdbsf f "mdjebcjrf<
- hrj"brtcbt usj"dbrdbsf j<
- rfi"tf sqf oujop<
- pgdbrdjuf/

**Granito**)uf sn jof "dnp n f sdjbrf\*/\*

Spddjb" dfof sp.dsjt ubrjnb-" dnp qubub-" mdjebcjrf-" eb" ef dpsbEjpf "f" eb" dpt usvEjpf -" qsf wbrfouf n f ouf dpt ujujub"eb"n jof sbrjEj"evsf Eeb"N pi t "eb"7"b"8")r vbrjEj"vbsEj-"g ret qbu-"g rtaqubujej\*

B"r vf t ub"dbuf hpsjb"bqqbsuf ohpop;

- j"hsboju"qspqsjbn f ouf "ef uj")spddf "n bhj bujdi f "jousvtjwf "bdjef "dfof spdsjt ubrjnb-"dpt ujujub"eb"r vbsEj-"g ret qbu"tpejdp"qubtttjdj"n jdi f \*<
- bruf "spddf "n bhj bujdi f "jousvtjwf "ejpsju-"hsbojejsju-"tjf ouj-"hbccsj-"f dd/\*<
- rfi"dpssjt qf ujuv"spddf "n bhj bujdi f "f gytjwf -"b"t usvwsb"qpsgsjdb<
- brdvo"spddf "n f ubn psjdi f "ej"bobrphb"dnp qptjEjpf "dnp f "hof jtt" f "tf sjEj/

**Travertino**

Spddjb"dbrdbsf b"tf ejn f ousjbe"ej"ef qptjup"di jn jdp"dpo"dbsbuuf sjt ujb"t usvwsbrfi"wbvprbsf -"eb"ef dpsbEjpf f "eb"dpt usvEjpf <brdvo"vbsjf W"t pop"mdjebcjrf/

**Pietra**)uf sn jof "dnp n f sdjbrf\*/\*

Spddjb"eb"dpt usvEjpf "f Qp"eb"ef dpsbEjpf -"ej"opn b"opo"mdjebcjrf/

B"r vf t ub"dbuf hpsjb"bqqbsuf ohpop"spddf "ej"dnp qptjEjpf "n jof sbrphjdb"t vbsjbuittjn b-"opo"jotf sjcjrjEj"brdvo"dbtttjgdbEjpf /

Fttf "t pop"sjdpoevdjEj"be"vop"ef j"evf "hsvqqj"tf hvf ouj;

- spddf "uf of sf "f Qp"qdp"dnp qbuuf <
- spddf "evsf "f Qp"dnp qbuuf /

Fttf n qj" ej" qj uf " ef rhqsjn p" hsvqqp" tpop;" vbsj" spddf " tf ejn f ousjbe" )dbrdbsf ouj-" bsf obsj" b" df n f oup dbrdbsf p-"f dd/\*-"vbsj" spddf "qjspdrt udi f -")qf qf sjoj-"wg-"f dd/\*<brttf dpoep"hsvqqp"bqqbsuf ohpop"rfi"qj uf "b" t qbddp" obwsbrfi" )r vbsEj-" n jdbt djt u-" hof jtt" rtt uspjej-" bsef tjf -" f dd/\*" f " ubrnof " wwrboju" )cbt brj-" usbdi ju-rfv djju-"f dd/\*/

Qf s" hrjEj brsj" uf sn jof" vt buj" qf s" ef gojsf " jrhqspepup" jo" cbt f " brfi" gsn f -" ejn f otjpoj-" uf dojdi f " ej rlvpsbEjpf "f e"brfi" dpoegsn bEjpf "hf pn f usjdb-"wbrfi"r vboup"sjqpsubup"of rti"opn b"VOKFO"23781" f "VOKFO 25729/

3\*"Kqspepuj"ej"dvj"t pqsbe"ef wpop"sjt qpoef sf "b"r vboup"tf hvf ;

b\* bqqbsuf of sf "brti"ef opn jobEjpf "dnp n f sdjbrf" f Qp"qf usphsbjdb"joejdbub"of rhqsphf up-"dnp f "eb"opn b VOKFO"23518"pqqvsv "bw sf "psjhjof "ef rttbdjop"ej" f t usvEjpf "p"Epob"hf phsbjdb"sjdi jf t ub"opodi è" f ttf sf dpoegsn j" be" f wf ouvbrjEj dbn qjpoj" ej" sjf sjn f oup" f e" f ttf sf " f tf ouj" eb" dsf qf -" ejt dpoujovjW-" f dd/" di f sjevdop"rt"sf tjt uf oEb"p"rt"gyoEjpf <

c\* bw sf " rlvpsbEjpf " tvqf sgjbrfi" f Qp" gojuvsv " joejdbuf " of rhqsphf up" f Qp" sjt qpoef sf " bj" dbn qjpoj" ej sjf sjn f oup<bw sf "rfi"ejn f otjpoj"opn jobEjdpodpsebu" f "rfi"sf rlvjwf "uprnsboE" <

d\* ef rfi"tf hvf ouj"dbsbuuf sjt udi f "jrhqspepup"ej" jbsf sU"j"vbrpsj"n f ej")f e"j"vbrpsj"n jojn j" f Qp"rt"ejt qf stjpf qf sdf ouvbrfi\*;

- n bttb"vprmn jdb"sf brfi" f e"bqqbsf ouf -"n jtvsub"tf dpoep"rt"opn b"VOKFO"24866" f "VOKFO 25728.2 <
- dpf ggdj of "ej"jn cjcEjpf "ef rti"n bttb"tf ddb"joEjbrfi-"n jtvsub"tf dpoep"rt"opn b"VOKFO"24866" f VOKFO"25728 <
- sf tjt uf oEb"b"dnp qsf ttjpf -"n jtvsub"tf dpoep"rt"opn b"VOKFO"2: 37" f "VOKFO"25728 <
- sf tjt uf oEb"b"grttjpf -"n jtvsub"tf dpoep"rt"opn b"VOKFO"23483" f "VOKFO"25728 <
- n pevri"ej" f rtt udiW-"n jtvsub"tf dpoep"rt"opn b" f "VOKFO"25257 <
- sf tjt uf oEb"brti"csbtjpf -"n jtvsub"tf dpoep"rfi"ejt qptjEjpf"ef rtsf hjp"Ef dsf up"334504: "f "VOKFO 25728 <

e\* qf s"rfi"qsf tdsjEjpf" dnp qrfn f ousjbe"eb" dpotjef sbf "jo"sf rlvEjpf "brti"ef t jobEjpf "e(vt p")t usvwsbrfi"qf s



n vsbwsf -"qbwjn f oub€jpoj-"dpqf swsf -"f dd/\*tj"sjowjb"bhjfbqaptju"bsjcdprj"lef r'qsf tf ouf "dbqjuprbup"fe"brn  
qsf tds€jpoj"ej"qspfh up/

K'wbrpsj"ejdi jbsbu"tbsboop"bddf ubu"ebn"tEjsf €jpop"ef j"bvwpsj"bodi f "jo"cbtf "bj"dsjuf sj"hf of sbrj"lef n"tbsjcdpr  
sf rbujwp"bj"n buf sbrj"tjo"hf of sf "fe"jo"sjg sjn f oup"brn"opsn f "VOKFO"23168"VOKFO"23169/

Qf s'r vboup"opo"ftqsf ttbn f ouf "dpouf n qrbup-"tj"sjowjb"brn"tf hvf ouf "opsn bujwb"uf dojdb;"VOKFO"25728"VOK  
FO"23518". "VOKFO"24866". "VOKFO"2: 37". "VOKFO"23483". "VOKFO"25257/

Uvuj"j"qspewuj"f Op"n buf sbrj"tj"dvj"br'qsf tf ouf "bsjcdpr"r vbwps"qpttbop"fttf sf "epubj"ej"n bsdwbs"DF  
tf dpoup"rb"opsn bujwb"uf dojdb"vjhf ouf -"epwboop"fttf sf "n vojju"ej"lbrn"n bsdj jp/

## Art. 4.8 PRODOTTI PER PAVIMENTAZIONE

2" . "Tj" ef gojt dpop" qspewuj" qf s" qbwjn f oub€jpop" r vf rj" vuj€bu" qf s" sf brj€bsf " r" tusbup" ej" sjwftujn f oup  
ef r'ouf sp'tjtuf n b"ej"qbwjn f oub€jpop /

K'qspewuj"vf ohpop"ej"tf hvjup"dpotjef sbu"brn pn f oup"ef n"tgsowjwsb<rb"tEjsf €jpop"ef j"bvwpsj"bj"goj"ef n  
rpsp"bddf ub€jpop-"qvi"qspdf ef sf "bj"dpousrj) bodi f "qbs€jbj"tv"dbn qjpoj"ef n"tgsowjwsb"pqqvsf "sjdi jf ef sf "vo  
buf t ubup"ej"dpogsn jw"ef n"tgsowjwsb"brn"qsf tds€jpoj"ej"tf hvjup"joejdbuf /

3" . "K' qspewuj" ej" rfhop" qf s" qbwjn f oub€jpop;" ubwpruf -" rj" upoj-" n ptbjdp" ej" rbn f r'n" crpddi f uj-" f dd/" tj  
jouf oepop"ef opn jobu"of r'n"rpsp"qbsu"dpotjuv ouj"dpn f "joejdbup"of n"rhuuf sbwbs"uf dojdb/

K'qspewuj"ej"dvj"tqsb"ef wpop"sjtqpoef sf "b"r vboup"tf hvf ;

b\* f ttf sf "ef n"tftf o€b"rnhoptb"bebub"brn"t"p" f "qsf tdsjub"of r'qspfh up<

c\* tpop"bn n f ttj"t"tf hvf ouj"ejg uj"vjtcjrtv"r'n"t"dd"jo"vjtb;

b1) r vbrjw"K;

- qjddprj"lopej"tboj"dpoejbn f usp"n jopsf "ej"3"n n "tf "ef r'p'psf "ef n"tqf djf ") n jopsf "ej"2"n n "tf "ej  
d'p'psf "ejw stp"qvsdi è"qsf tf ouj"tv"n f op"ef r'21& "ef hj'f rfn f ouj"ef r'p'up<
- jn qf s€ jpoj"ej"r'vwps€jpop"dpoejbn"n jopsf "ej"2"n n "f "qvsdi è"qsf tf ouj"tv"n f op"ef r'21&  
ef hj'f rfn f ouj<

b2) r vbrjw"K;

- qjddprj"lopej"tboj"dpoejbn f usp"n jopsf "ej"6"n n "tf "ef r'p'psf "ef n"tqf djf ") n jopsf "ej"3"n n "tf "ej  
d'p'psf "ejw stp"qvsdi è"qsf tf ouj"tv"n f op"ef r'31& "ef hj'f rfn f ouj"ef r'p'up;
- qjddprj"t"oejwsf <
- jn qf s€ jpoj"ej"r'vwps€jpop"dpn f "qf s"r'a"drbt"t"K<
- br'vsop"tf o€b"rjm jub€jpoj"n b"jn n vof "eb"r vbrjbtj"n bojg tup"bubddp"ej"jotf uj/

b3) r vbrjw"K;

- f tf ouj"eb"ejg uj"di f "qpttbop"dpn qsn f uf sf "r'n"qjfhp")jo"dbt"p"ej"evccjp"vbrhpop"r'n"qspw"ej  
sf tjtuf o€b"n f ddbojdb\*<
- br'vsop"tf o€b"rjm jub€jpoj"n b"jn n vof "eb"r vbrjbtj"n bojg tup"bubddp"ej"jotf uj<

d\* bwf sf "dpouf ovup"ej"vn jeju"usb"j'rt21" f "j'rt26& <

e\* up'n'isbo€f "tvn"ejn f otjpoj" f "gojuwsb;

d1) rj" upoj;"2"n n "tvn"tqf ttpsf <3"n n "tvn"r'ashi f €€b-<6"n n "tvn"r'mohi f €€b<

d2) ubwpruf ;"1-6"n n "tvn"tqf ttpsf <2-6& "tvn"r'ashi f €€b" f "r'mohi f €€b<

d3) n ptbjdp-"r vbepuj-"f dd/;"1-6"n n "tvn"tqf ttpsf <2-6& "tvn"r'ashi f €€b" f "r'mohi f €€b<

d4) r'n"t"dd"b"vjtb" f e"j"gbodi j"eb"bddf subsf "tbsboop"rj" dj<

f \* r'a"sf tjtuf o€b"n f ddbojdb"b"grttjpop -"r'a"sf tjtuf o€b"brn"qspow"fe"br'uf "dbsbuf sjtjdi f "tbsboop"of j"rjm ju  
tprjbn f ouf " sjt dpousbu" tvn"tqf djf " r'nhoptb" f " tbsboop" dpn vorvf " ejdi jbsbu" of r'ouf t ubup" di f  
bddpn qbhb"r'a"tgsowjwsb<qf s"j"n f upej"ej"n jtvsb"vbrhpop"r'n"qsf tds€jpoj"ef n"opsn f "vjhf ouj<

g\* j"qspewuj"ef wpop"fttf sf "dpouf ovuj"jo"bqaptju"jn cbn"di f "r'j"qspuf hhpob"eb"b€jpoj"n f ddbojdi f -"vn jeju  
of r'n"t"gtj"ej"sbtpqsp"ef qptjup" f "n bojqr'€jpop"qsn b"ef n"qptb/

Of r'n"cbn" vo" gphj" jogsu bujwp" joejdi f s'u" pr'uf "brhopn f " ef r'gsojupsf " f " dpouf ovup-" brn f op" r'n  
dbsbuf sjtjdi f "ej"dvj"bj"dpn n j"eb"b"be" f \*/

Of r'ubtp"tj"vuj€bu"qjbtuf n"ej"tvhi f sp"bhhrn f sbup"r'n"opsn f "ej"sjg sjn f oup"tpop"r'a"VOK'KTP"4921<

4" . "M" qjbtuf r'n" ej" df sbn jdb" qf s" qbwjn f oub€jpoj" epwboop"fttf sf " ef r'n buf sbrj"n" joejdbup" of r'qspfh up  
uf of oep" dpoup" di f " r'n" ej€jpoj" dpn n f sbrj" f Op" usbej€jpop" jdpup-" dpup" gsf -" hsf t-" f dd/\*" ef wpop" f ttf sf  
bttpdjuf "brn" drbt"tjgdb€jpop" ej" dvj"brn"opsn b"25522"cbtub"tv'r'n f upep"ej" gsn buwsb" f "tvn"t"tpscjn f oup  
e(bdr vb"tf dpoup"r'n"opsn f "VOK'FO'KTP"21656.3" f "21656.4/

b\* M "qjbt uf rñ" ej" df sbn jdb" f tsvtf "p" qsf ttbf "ej" qsjn b" tdf rñ" ef wpop" sjt qpoef sf "brñ" opsn b" VOK'FO 2522/

K' qspepuj" ej" tf dpoeb" tdf rñ" djpa" r vf rñ" di f " sjt qpoepop" qbsējbm f ouf "brñ" opsn f " qsf ef uf -" tbsboop bddf ubuj" jo" c btf "brñ" sjt qpoef oēb" bj" wbrpsj" qsf vjt u" ebrñ" qsphf up" f "jo" n bodboēb" jo" c btf "be" bddpsej" usb Ejsf ēj pof "ef j" Mbwpsj" f " gsojupsf /

c\* Qf s" j" qspepuj" ef gojuj" qjbof rñ" dpn voj" ej" bshjñ" qjbof rñ" qsf ttbf "f e" bsspubf "ej" bshjñ" buopof rñ" hsf jgdbuf "ebrñ" f hjp" E f dsf up" 334504: -" ef wpop" joprusf " f ttbf " sjt qf ubuf "rñ" qsf tdsējpoj" tf hvf ouj;

- sf tjtuf oēb" brñ" sup" 3" On ") 1-31" l hn \*n" jojn p<
- sf tjtuf oēb" brñ" gñtj pof "3-6" 00n n 3") 36" l h0dn \*3" n jojn p<
- dpf gñdjf ouf "ej" vtvsb" brñ" sjc pñ f usp" 26" n n " n bttjn p" qf s" 2" l n "ej" qf sdpst p/

d\* Qf s' rñ" qjbt uf rñ" dprñ" ) jvj" dpn qsf tf " wuf " rñ" qspevējpoj" bsyhj bobjñ" rñ" dbsbuf sjt ujd f " sjrñw bouj" eb n jtvsbsf "bj" goj" ej" vob" r vbrñ" dbēj pof "ef rñ" buf sjbrñ" tpop" rñ" ttf "joejdbuf " qf s' rñ" qjbt uf rñ" qsf ttbf "b ttf ddp" f e" f tsvtf -" qf s' dvj;

- qf s' rñ" vbouj" buj f of "bj" n f upej" ej" qspwb" t j" sñ boeb" brñ" opsn f "VOK'vjhf ouj<
- qf s' rñ" vbouj" buj f of "j" rñ" jvj" ej" bddf ubēj pof -" uf of oep" jo" epw up" dpouj" rñ" qbsbn f usp" sf rñ" wps brñ" ttpscjn f oup" e" (brñ" vb- "j" wbrpsj" ej" bddf ubēj pof "qf s' rñ" qjbt uf rñ" puf ovf " n f ejbouf " dprñw sb tbsboop" dpodpsebuj" gsb" qspevupsf " f e" brñ" vjsf ouf -" tvrñ" c btf "ef j" ebuj" uf dojdj" qsf vjt u" ebrñ" qsphf up p" ejdi jbsuj" ebj" qspevupsj" f e" bddf ubuf "ebrñ" Ejsf ēj pof "ef j" Mbwpsj" of rñ" sjt qf up" ef rñ" opsn b" VOK'FO KTP "21656.2/

e\* K' qspepuj" ef wpop" f ttf sf " dpouf ovuj" jo" baqptjuj" jñ cbrñ" di f " rñ" qspuf hñbop" eb" bējpoj" n f ddbojdi f - t qpsdbw sb- " f dd/" of rñ" dñtj" ej" usbt qpsup- " ef qptjuj" f " n bojqprñ" ēj pof " qsjn b" ef rñ" qptb" f e" f ttf sf bddpn qbhouj" eb" gñrñ" jogsñ bujvj" sjqpsubouj" jñ hopn f " ef rñ" gsojupsf " f " rñ" sjt qpoef oēb" brñ" qsf tdsējpoj qsf ef uf /

5" . "K' qspepuj" ej" hpn n b" qf s" qbwn f oubējpoj" tpuj" gsn b" ej" qjbt uf rñ" f " spurñ" ef wpop" sjt qpoef sf " brñ" qsf tdsējpoj" ebuf " ebrñ" qsphf up" f e" jo" n bodboēb" f 0p" b" dpn qñn f oup" ef wpop" sjt qpoef sf " brñ" qsf tdsējpoj tf hvf ouj;

b\* f ttf sf "f tf ouj" eb" ejf u" vjtjcjñ" cprñ" -" hsb gñ- " n bddi jf -" brñ" -" f dd/" tvrñ" tvqf sgdj" ef tujobuf "b" sf tbsf "jo vjt ub") opsn b" VOK'9383.2\* <

c\* bwf sf " dptboēb" ej" dprñ" usb" j" qspepuj" ef rñ" ttf ttbf" gsojwsb< jo" dbtp" ej" dpouf t ubēj pof " ef w" sjt vñbsf f oup" rñ" dpousbt up" ef rñ" rñn f oup" o/" 5" ef rñ" t dbrñ" ef j" hsjh" ej" dvj" brñ" opsn b" VOK'9383.3/ Qf s" qjbt uf rñ" ej" gsojwsf " ejw" stf " f e" jo" dbtp" ej" dpouf t ubēj pof " wbrñ" jñ dpousbt up" ef rñ" rñodp" o/" 4" ef rñ" t dbrñ" ef j" hsjh<

d\* tvrñ" ejn f otjpoj" opn jobrñ" f e" psuphobñ" u" ef j" cpsej" tpop" bn n f ttf "rñ" uprñ" sboēf " tf hvf ouj;

- spurñ" rñ" mohi f ēēb", 2& -" rñ" shi f ēēb", 1-4& -" tqf ttpsf ", 1-3" n n <
- qjbt uf rñ"; rñ" mohi f ēēb" f " rñ" shi f ēēb", 1-4& -" tqf ttpsf ", 1-3" n n <
- qjbt uf rñ"; "t dpt ubn f oup" ebrñ" up" uf psjdp") jo" n jñjñ f usj\* f "opo" n bhñjpsf "ef rñ" qspepup" usb" ejn f otjpoj ef rñ" up") jo" n jñjñ f usj\* f "1-1123<
- spurñ" t dpt ubn f oup" ebrñ" up" uf psjdp" opo" n bhñjpsf "ej" 2-6" n n <

e\* rñ" evsf ēēb" ef w" f ttf sf "usb" 86" f "96" qvouj" ej" evsf ēēb" Ti psf "B") opsn b" VOK'FO"KTP "979\* <

f \* rñ" sf tjt uf oēb" brñ" c sbt j pof "ef w" f ttf sf "opo" n bhñjpsf "ej" 411" n n μ<

g\* rñ" t ubc jñ" u" ejn f otjpoj bñ" b" dbrep" ef w" f ttf sf "opo" n bhñjpsf "ef rñ" 1-4& " qf s' rñ" qjbt uf rñ" f " ef rñ" 1-5& qf s' j" spurñ<

h\* rñ" dñt tf "ej" sf bēj pof "brñ" y pdp" ef w" f ttf sf "rñ" qsjn b" tf dpoep" jñ E/N /" 37" hvjhop" 2: 95" f "t/n /j<

i \* rñ" sf tjt uf oēb" brñ" csv djw sb" eb" t jñbsf ub- "jof tp" dpn f "brñ" sbējpoj" ej" dprñ" qspepuf "ebrñ" dpn cvt ujpof - opo" ef w" psjhjbsf " dpousbt up" ej" dprñ" "vhvbrñ" p" n jopsf "brñ" /" 3" ef rñ" t dbrñ" ef j" hsjh" ej" dvj" brñ" opsn b VOK'9383.3/" Opo" tpop" joprusf "bn n f ttj" bgjpsbn f ouj" p" sjhpogbn f ouj<

j\* jñ qpuf sf " n bddi jbouf -" jof tp" dpn f " df ttj pof " ej" tptboēf " di f " t qpsdbop" rñ" phhf u" di f " w" ohpop" b dpou buj" dpo" jñ sñ w t ujn f oup- " qf s' j" qspepuj" dprñ" sbuj" opo" ef w" ebsf " psjhjof "be" vo" dpousbt up" ej" dprñ" n bhñjpsf "ej" rñ" ef rñ" rñn f oup" O4" ef rñ" t dbrñ" ef j" hsjh" ej" dvj" brñ" VOK'9383.3/" Qf s' j" qspepuj" of s' jñm dpousbt up" ej" dprñ" "opo" ef w" f ttf sf " n bhñjpsf "ef rñ" rñn f oup" O3<

ñ jñ dpouspñ" ef rñ" dbsbuf sjt ujd f " ej" dvj" bj" dpn n j" qsf df ef ouj" t j" jof oef " f gñ wv buj" tf dpoep" rñ" n pebrñ" u" joejdbuf "of rñ" qsf tf ouf "bsjdpñ" jo" dpogsn ju" brñ" opsn b" VOK'9383") wbsj f " qbsuj\* <

n \* j" qspepuj" ef wpop" f ttf sf " dpouf ovuj" jo" baqptjuj" jñ cbrñ" di f " rñ" qspuf hñbop" eb" bējpoj" n f ddbojdi f " f e" bhf ouj bun pt f sgdj" of rñ" dñtj" ej" usbt qpsup- " ef qptjuj" f " n bojqprñ" ēj pof " qsjn b" ef rñ" qptb/ Kñh gñrñ" ej" bddpn qbhojn f oup" joejdi f sU" prñ" sñ" brñ" hopn f " ef rñ" gsojupsf " brñ" f op" rñ" joejdbējpoj" ej" dvj" bj dpn n j' eb" b\* be" j\* /

6" . "K' qspepuj" ej" vjofñ- " pn phf of j" f "opo" f e" j" uqj" f w" ouw brñ" f ouf "dbsjdbuj" ef wpop" sjt qpoef sf " brñ" qsf tdsējpoj ej" dvj" brñ" opsn b" VOK'FO"21692/

K'dsjuf sj"ej"bddf ubEjpopf "t pop"r vf rjle f rtaqvoup"2"ef rtaqsf tf ouf "bsjdprrp/  
 K'qspepuj"ef wpop"fttf sf "dpouf ovuj"jo"bqqptjuj"jn cbnrjldi f "rj"lqspuf hhhbop"eb"bEjpoj"n f ddbojdi f "f e"bhf ouj  
 bun ptg sjdj"of rni"dbtj"ej"usbtqpsup-"ef qptjup"f "n bojqrprbEjpopf "qsjn b"ef rni"qptb/  
 K'qphrjpp"ej"bddpn qbhbobn foup"joejdi f sU"rni"dbsbuuf sjtjdi f "ej"dvj"brni"opsn f "qsf djubuf /

7" . "K' qspepuj" ej" sf tjob" )bqqrjdbuj" gvnej" pe" jo" qbtub\*" qf s" sjwftujn f ouj" ej" qbwjn f ouj" tbsboop" ef rhuqap  
 sf brjEebup;

- n fejbouf "jn qsf hobEjpopf "tf n qrdaf ")K2\* <
- b"t bwsbEjpopf ")K3\* <
- n fejbouf "gjn "dpo"tqf ttpsj"jop"b"311"n n ")G2\*p"dpo"tqf ttpsf "tvaf sjpsf ")G3\* <
- dpo"qspepuj"gvnej"dptjeef uj"bvuprjw rniouj")B\* <
- dpo"qspepuj"tqbuprjw")T\* /

M "dbsuuf sjtjdi f "tf hobuf "dpn f "tjhojgdbujw" of rtaqsf up"tf hvf ouf "ef wpop"sjtqpoef sf "brni"qsf tdsjEjpoj  
 ef rtaqspfh up/

K'wbrpsj"ej"bddf ubEjpopf "t pop"r vf rjlejdi jbsuj"ebrtqccsjdbouf "f e"bddf ubuj"ebnib"Ejsf Ejpopf "ef j"Mbwpjsj/  
 K'n f upej"ej"bddf ubEjpopf "t pop"r vf rjlejoejdbuj"of rtaqsf tf ouf "bsjdprrp"jo"dpogsn juw"brni"opsn b"VOK93: 9")wbsj f  
 qbsuj\*f"VOK21: 77/

DBSBUUF SKUKDI F	Hsbep"ej"tjhojgdbujw"sjtqf up"bj"vbsj"ujaj					
	K2	K3	G2	G3	B	T
Dprpsf	.	.	,	,	,	.
Kef oujgdbEjpopf "di jn jdp.gjtjdb	,	,	,	,	,	,
Tqf ttpsf	.	.	,	,	,	,
Sf tjt uf oEb"brni"cbstjpopf	,	,	,	,	,	,
Sf tjt uf oEb"brni"voEpopbn foup"ejobn jdp")vsup*	.	,	,	,	,	,
Sf tjt uf oEb"brni"voEpopbn foup"tubjdp	,	,	,	,	,	,
Dpn qpsubn foup"brni"dr vb	,	,	,	,	,	,
Sf tjt uf oEb"brni"qsf ttjpopf "jesptubjdb"jowf stb	.	,	,	,	,	,
Sf tjt uf oEb"brni"pdp	,	,	,	,	,	,
Sf tjt uf oEb"brni"csvdjbuwsb"ef rni"tjhbsf ub	.	,	,	,	,	,
Sf tjt uf oEb"brni"owf ddi jbn foup"uf sn jdp"jo"bsjb	.	,	,	,	,	,
Sf tjt uf oEb"n f ddbojdb"ef j"sqsjt uoj	.	.	,	,	,	,

, "Tjhojgdbujwb  
 ."Opo"tjhojgdbujwb

K'qspepuj"ef wpop"fttf sf "dpouf ovuj"jo"bqqptjuj"jn cbnrjldi f "rj"lqspuf hhhbop"eb"bEjpoj"n f ddbojdi f "f e"bhf ouj  
 bun ptg sjdj"of rni"dbtj"ej"usbtqpsup-"ef qptjup"f "n bojqrprbEjpopf "qsjn b"ef rni"qptb/  
 K'qphrjpp"jogpsn bujw"joejdi f sU"prnsf "brtpon" f "ef rtaqsojupsf -"rni"dbsbuuf sjtjdi f -"rni"bwf suf oE "qf s"rtaqtp" f "qf s  
 rni"tjdv sf Eeb"evsbouf "rtaqqrjdbEjpopf /

8" . "K' qspepuj" ej" dbrdf tusvEeb" qf s" qbwjn f oujEjpoj"b"tf dpoeb"ef rhuqap"ej" qspepuj"ef wpop"sjtqpoef sf "brni  
 qsf tdsjEjpoj"ef rtaqspfh up" f e"jo"n bodboEeb" f Op"dpn qrrubn foup"brni"tf hvf ouj"qsf tdsjEjpoj/

b/ Nbupof rni"ej"df n foup" dpo"p"tf oEb" dprpsbEjpopf "f "tvaf sgdjf "rhwjhbus<n bupof rni"ej"df n foup" dpo"p  
 tf oEb" dprpsbEjpopf "dpo"tvaf sgdjf "tusbub"p" dpo"jn qspoub<n bsn f uf "f "n bupof rni"b"n ptbjdp"ej"df n foup  
 f "ej"ef usuj"ej"qj f usb" dpo"tvaf sgdjf "rhwjhbus/"K'qspepuj"tqpsbdjuby"ef wpop"sjtqpoef sf "brni"sf hjp"E f dsf up  
 334504: " qf s" r vboup" sjhvbseb" rni" dbsbuuf sjtjdi f " ej" sf tjt uf oEb" brni"vsup-" sf tjt uf oEb" brni" gfttjpopf " f

dpf ggdjf ouf " ej" vtvsb" brhusjcpn f usp" f e" brn" qsf tdsjEjpoj" ef rthqspfh up/" M(bddf ubEjpoj" ef wf " bwwf ojsf  
tf dpoep"jrtqvoup"2"ef rthqsf tf ouf "bsujdprp"bwf oep"jrtSf hjp"Ef dsf up"t pqsbjdubup"r vbrn"sjgf sjn f oup/  
c/ N bttf rrtf ej" dbrdf tsvEep" qf s" qbvjn f oubEjpoj" tbsboop" ef gojuj" f " drtttjgdbuj" jo" cbrtf " brn" rpsp" gpn b-  
ejn f otjpoj-"dprpsf "f "sf tjtuf oEb" dbsbuf sjt ydb<2"qf s"rb"uf sn joprphjb"ef rrtf"qbsuj"dpn qpoef ouj"jrt n bttf rrtf" f  
ef rrtf" hf pn f usj" ej" qptb" puf ojcjrtf tj" sjovjb" brn" opsn b" VOK' FO" 2449/" Fttj" ef vpop" sjt qpoef sf " brn  
qsf tdsjEjpoj"ef rthqspfh up" f e"jo"n bodboEb"pe"b"rpsp"dpn qrtubn f oup"ef vpop"sjt qpoef sf "b"r vboup"tf hvf ;

- f ttf sf "f tf ouj"eb"ejgf uj"vjtjcjrtf" ej" gpn b"r vbrn"tqspwcf sboEf "-cbwf "-jodbw"di f "tvqf sjop"rtn  
uprnsboEf "ejn f otjpojbrn n f ttf /
- tvrtn"ejn f otjpoj"opn jobrtf"bn n f ttf"rt"uprnsboEf"ej"4"n n "qf s"vo"tjohprp"rfn f oup" f "3"n n  
r vbrn"n f ejb"ef rrtf"n jtvf "tvrtbn qjpoef "qsf rfvbup<
- rrtf"gdff "ej"vtvsb" f "ej"bqpphhj"ef vpop" f ttf sf "qbsbrnrtf"usb"rpsp" dpo"uprnsboEb"2 26& "qf s"jm  
tjohprp"n bttf rrtf" f "2 21& "tvrtf"n f ejf <
- rrtf"n bttb"vprn jdb"ef wf "tdptubstj"eb"r vf rrtf"opn jobrtf")ejdi jbsub"ebrt"pccsjdbouf \*"opo"qjò"ef m  
26& "qf s"jrtjohprp"n bttf rrtf" f "opo"qjò"ef r21& "qf s"rtf"n f ejf <
- jrtdpf ggdjf ouf "ej"usbt n jttjpoef "n f ddbojdb"opo"ef wf "f ttf sf "n jopsf "ej"r vf rrtf"ejdi jbsub"ebm  
pccsjdbouf <
- jrtdpf ggdjf ouf "ej"bef sf oEb"ef rrtf"gdff "rtuf sbrt"ef wf "f ttf sf "jrtvbrpsf "opn jobrtf" dpo"uprnsboEb"2 6&  
qf s"vo"tjohprp"rfn f oup" f "2 4& "qf s"rtf"n f ejb<
- rrtf"sf tjtuf oEb"dpowf oEjpoertf"brn"dpn qsf tjtjpoef "ef wf "f ttf sf "n bhjpsf "ej"61"00n n 3"qf s"jrtjohprp  
f rfn f oup" f "n bhjpsf "ej"71"00n n 3"qf s"rtf"n f ejb/

K'dsjf sj"ej" bddf ubEjpoj" tpop"r vf rrtf"sqpsubj"of rrtqvoup"2" dpo"sjgf sjn f oup"brn"opsn b"VOK'FO"2449/

K'qspepuj"tbsboop" gsojuj"tv"bqaptj"qbrnt"pqqsuvobn f ouf "rthby" f e" f wf oubrn f ouf "qspuf uj"ebrn" Ejpoj  
ej"tptboEf "tqpsdbouj/"Krtphrj"jogpn bujw"joejdi f sU-"brn" brrtfn f "ef rrtsojpsf "-brn f op" rrtf" dbsbuf sjt ydi f "ej  
dvj"t pqsb" f "rt"jt usEjpoj"qf s"rtf"n pvjn f oubEjpoj" -"tjdvf Eeb" f "qptb/

9". K'qspepuj"ej"qjf usf "obwsbrt"sjdpt usvjf "qf s"qbvn f oubEjpoj"tj"jof oepop"ef gojuj"dpn f "tf hvf ;

- f rfn f oup"rtqjef p"obwsbrt;"f rfn f oup"dptujwju"jof hsbm f ouf "eb"n buf sbrn"rtqjef p")tf oEb  
bhjvob"ej"rthby\* <
- f rfn f oup"rtqjef p"sjdptujwju")dpohrn f sbup\*;"f rfn f oup"dptujwju"eb"gsbn n f ouj"rtqjef j"obwsbrt  
rthby" dpo"df n f oup"p" dpo"sf tjoef <
- rrtf"usb"sjrtub;"f rfn f oup" dpo"rtf"ejn f otjpoj"gttbf "jo" g oEjpoj"ef rrtmphp"e(jn qjf hp"tprjbn f ouf  
dpo"vob"ejn f otjpoj"n bhjpsf "ej"71"dn "f "tqf ttpsf "ej"sf hprn"opo"n jopsf "ej"3"dn <
- n bsn f ub;"f rfn f oup" dpo"rtf"ejn f otjpoj"gttbf "ebrtqsevu" f e"joejqf oef ouj"ebrt"mphp"ej"qptb-  
tprjbn f ouf "dpo"ejn f otjpoj"n jopsf "ej"71"dn "f "dpo"tqf ttpsf "ej"sf hprn"n jopsf "ej"3"dn <
- n bsn f ub"dbrcsbub;"f rfn f oup"rtvpsub"n f ddbojdbn f ouf "qf s"n bouf of sf "rt"tqf ttpsf "f oup"rtn  
uprnsboEf "ejdi jbsubf <
- n bsn f ub"sf uvgdbub;"f rfn f oup"rtvpsub"n f ddbojdbn f ouf "qf s"n bouf of sf "rt"rtmohi f Eeb" f Qp  
rtshi f Eeb" f oup"rtf"uprnsboEf "ejdi jbsubf /

Qf s" rrtf"jt usEjpoj" sf rrtuf " brn" qspfh ubEjpoj" -" qptb" jo" pqf sb" f " n bovf oEjpoj" ej" sjw tujn f ouj" rrtqjef j" ej  
tvqf sgdj" psjEepoubrn" wf sdrjrtf " tpgjuj"tj"tf hvjsboop" rrtf"joejdbEjpoj" ef rrtf"opsn b" VOK'22825". "2/" Qf s" rrtf"brn  
uf sn joj"tqf djgdj"epwuj"brn"rtvpsubEjpoj-"gojuj"sf -"f dd/"gdsf "sjgf sjn f oup"brn"opsn b"VOK'FO"25729/

K'qspepuj"ej" dvj"t pqsb"ef vpop"sjt qpoef sf "brn" qsf tdsjEjpoj"ef rthqspfh up")ejn f otjpoj-"uprnsboEf "-btqf up-  
f dd/\*" f e"b"r vboup"qsf tdsjup"of rrtf"sqpsubj"qspepuj"ej"qjf usf "obwsbrt"sjdpt usvjf /"Ko"n bodboEb"ej"uprnsboEf "tv  
ejtf hoj" ej" qspfh up"tj"jof oef " di f " rrtf" rrtuf " hsf Eef " dpouf ohpop" rrtf" ejn f otjpoj" opn jobrtf" rrtf" rrtuf " gojuj-  
n bsn f uf -"f dd/"i boop"uprnsboEb"2"n n "tvrtf"rtshi f Eeb" f "rtmohi f Eeb" f "3"n n "tvrtf"tqf ttpsf ")qf s"qspepuj"eb  
jodprnsf "rtf"uprnsboEf "qsf ef uf "tbsboop"sjepuf \*<rtf" rrtuf "f e"j"r vbesf rrtf"n bsn p"p"ej"brn"qjf usf "epvsboop  
joprnsf "sjt qpoef sf "brn"sf hjp"Ef dsf up"334504: "qf s"r vboup"buif of "jrtdpf ggdjf ouf "ej"vtvsb"brhusjcpn f usp"jo"n n <

rtbddf ubEjpoj" bwwf ssu"tf dpoep"jrtqvoup"2"ef rthqsf tf ouf "bsujdprp/"M" gsojuj"sf "bwwf ssboop"tv"qbrnt" f e"j  
qspepuj"tbsboop"pqqsuvobn f ouf "rthby" f e" f wf oubrn f ouf "qspuf uj"ebrn" Ejpoj"ej"tptboEf "tqpsdbouj/

Krtphrj"jogpn bujw"joejdi f sU"brn f op" rrtf" dbsbuf sjt ydi f "ej"dvj"t pqsb" f "rt"jt usEjpoj"qf s"rtf"n pvjn f oubEjpoj" -  
tjdvf Eeb" f "qptb/

: ". K'qspepuj"uf ttjrtqf s"qbvn f ouj")n prvf uf t\*/

b\*Tj"jof oepop"uwuj"sjw tujn f ouj"of rrtf"rpsp"ejw stf "tprnEjpoj" dpt usvjw" f "djpa;

- sjw tujn f ouj"uf ttjrtf"wf rrtuf")of "jrtsp"t pudpdtj"wf rrtuf"ubhrjup-"wf rrtuf"sjddj-"wf rrtuf"vojrtf rrtf-  
wf rrtuf"qrsjrtf rrtf-"f dd/\*<
- sjw tujn f ouj"uf ttjrtf"qjbuj")uf ttvup-"opouf ttvup\*/

Ko"dbtp"ej"evccjp" f "dpouf tlbEjpoj"tj"gsu"sjgf sjn f oup"brn"drtttjgdbEjpoj" f "uf sn joprphjb"ef rrtf"opsn b"VOK  
9124.2<

c\*ij"qspepuj"ef wpop"sjtqpoef sf "brni"qsf tdsjejoj"ef rtaqsf up"ef e"jo"n bodboeb"p"dpn qrfubn f oup"b"r vboup  
tf hvf ;

- n bttb"bsf jdb"upbrn"ef npt"usub"ej"vujjebjepof <
- tqf ttps"upbrn"ef tqf ttps"ef nta"qbsv "vujri"ef npt"usub"ej"vujjebjepof <
- qf sejub"ej"tqf ttps"epaq"bqqjdbepof ")qf s"csf w"ef "mohb"evsbus\*ej"dbsjdp"tubjdp"n pef sbup<
- qf sejub"ej"tqf ttps"epaq"bqqjdbepof "ej"dbsjdp"ejobn jdp/

Ko"sf rbejepof "brni"on cjf ouf "ej"ef tujobepof "tbsboop"sjdi jf tuf "rnt"tf hvf ouj"dbsbuf sjt udi f "ej"dpn qpsubn f oup;

- uf oef oeb"brni"odv n vrp"ej"dbsjdi f "f rhuaptubjdi f "hf of sbuf "ebrtubraf tujp<
- ovn f sp"ej"gpddi f uij"qf s'vojuj"ej"mohi f eeb"ef "qf s'vojuj"ej"bsf b<
- gpeb"ej"tusbqqp"ef j"gpddi f uij<
- dpn qpsubn f oup"brni"v pdp/

d\*ij"dsjuf sj"ej"bddf ubepof "tpop"r vf rnt"qsf djt buj"of rtaqsf tf ouf "bsjdp"p<j"vbrpsj"tbsboop"r vf rnt"ejdi jbsuj"ebm  
gpcsjdbouf " f e" bddf ubuj" ebrni" Ejsf eepof " ef j" Mbwpsj/" M" n pebrjuj" ej" qspwb" eb" tf hvjsf " jo" dbtp" ej  
dpouf tubepof "tpop"r vf rnt"joejdbuf "of rnt"opsn b"VOK'9125")wbsj "qbsuj"<

e\*ij"qspepuj"tbsboop"gpsojuj"qspuf uij"eb"bqqptjuj"jn cbnri"di f "rnt"qspuf hhbop"eb"bejoj"n f ddbojdi f "eb"bhf ouj  
bun ptgf sjd" f e" brnsj" bhf ouj" ef hsbeboj" of rnt" gdtj" ej" usbtqpsp-" ef qptjup" f " n bojqrbejepof " qsjn b" ef rnt  
qptb/" Kthghrj" jogsn bujvp" joejdi f sU" jrhopn f " ef rtaqspevupsf -" rnt" dbsbuf sjt udi f " f rnodbuf " jo" c\* f " rnt  
jtuvjepoj"qf s'ra"qptb/

21" .M" n bupof rnt"ej"bt gorp;

- epwsboop"sjtqpoef sf "brni"qsf tdsjejoj"ef rtaqsf hjp"Ef dsf up"334504: "qf s'r vboup"sjhvbseb"rnt  
dbsbuf sjt udi f "ej"sf tjtuf oeb"brni"v sup;"5"On ")1-51"l hn "n jojn p<sf tjtuf oeb"brni"grnttjepof ;"4"OOn n 3  
)41"l hOdn 3\*n jojn p<dpf ggdj"ouf "ej"vtvsb"brnt"usjcpn f usj;"26"n n "n bttjn p"qf s'2"l n "ej"qf sdpstp<
- epwsboop"joprasf "sjtqpoef sf "brni"n f ef tjn f "qsf tdsjejoj"qsf vjtuf "qf s'j"cjwn j<
- qf s'j"dsjuf sj"ej"bddf ubepof "tj"gp"sjgf sjn f oup"b"r vboup"qsf djt buj"of rtaqsf tf ouf "bsjdp"p<j"o"dbtp"ej  
dpouf tubepof "tj"gp"sjgf sjn f oup"brni"opsn f "DOS"ef "VOK"bqqjdbepoj/

K'qspepuj"tbsboop"gpsojuj"tv"bqqptjuj"qbrnt" f e" f w" ouvbrn f ouf "qspuf uij"eb"bejoj"ef hsbeboj"epwuf "be  
bhf ouj"n f ddbojdj"di jn jdj"ef e"brnsj"of rnt" gdtj"ej" usbtqpsp-"ef qptjup" f " n bojqrbejepof " jo"hf of sf "qsjn b"ef rnt"qptb/  
Kthghrj" jogsn bujvp" joejdi f sU" brn f op"rnt"dbsbuf sjt udi f "ej"dvj"tqpsb"praf "brni"jtuvjepoj"qf s'ra"qptb/

22" . "K' qspepuj" ej" n f lbm" qf s" qbwjn f oubepoj" epwsboop" sjtqpoef sf "brni" qsf tdsjejoj" ebu" ebrni" opsn f  
vjhf ouj/"M" rnt jf sf "tbsboop"joprasf "f tf ouj"eb"ejf uij"vjtjcjijl)r vbrjt"dbhrjbuwsf -"cbwf -"dsf qf -"dsbuf sj-"f dd/\*"f "eb  
ejf uij"ej"qsn b")t w shprtn f oup-"poevrbepof -"f dd/\*"di f "of "qsf hjvejdi jop" rnt" qj hf p" f Qp" rnt" n f ttb"jo"pqf sb" f  
epwsboop"bwf sf "rnt" w ouvbrn"sjw tujn f oup"tvqf sgdjbrn"qsf tdsjup"of rtaqsf up/

23" . "K' dpohrpn f sbuj" cjwn joptj" qf s" qbwjn f oubepoj" f tuf sof " epwsboop" sjtqpoef sf "brni" dbsbuf sjt udi f  
tf hvf ouj;

- dpouf ovup"ej"rnt"houf "n jtvsub"tf dpoep"ra"opsn b"VOK'FO"237: 8.2<
- hsbovrpn f usjb"n jtvsub"tf dpoep"ra"opsn b"VOK'FO"237: 8.3<
- n bttb"vprn jdb"n bttjn b"n jtvsub"tf dpoep"VOK'FO"237: 8.6<
- dpn qbuvcjruj"n jtvsub"tf dpoep"ra"opsn b"VOK'FO"237: 8.21/

Qf s'r vboup"opo"ftqsf tbn f ouf "dpouf n qrbup-"tj"sjovjb"brni"tf hvf ouf "opsn bujwb"uf dojdb;"-VOK'FO"2927-"VOK  
FO"2928-"VOK'21: 77-"VOK'FO"232: : -"VOK'FO"25453-"VOK'FO"KTP "34: : : -"VOK'KTP "575: /

Uvuj"j"qspepuj" f Qp"n buf sjbrt"ej" dvj"brnt"qsf tuf ouf "bsjdp"p<j"vbrpsj"qpttbop"ftt sf "epubuj"ej"n bsdubw"DF  
tf dpoep"ra"opsn bujwb"uf dojdb"vjhf ouf -"epwsboop"ftt sf "n vojjuj"ej"ubrn"n bsdj jp/

#### Art. 4.9

### PRODOTTI DI VETRO (LASTRE, PROFILATI AD U E VETRI PRESSATI)

2" .Tj"ef gojtdpop"qspepuj"ej"wf usj"r vf rnt"di f "tpop"puf ovuj"ebnt"usbtqpsn bejoj" f "rnt"vpsbejoj"ef rnt"v usj/  
Fttj" tj" ejwepop" of rnt" tf hvf ouj" qsjodjbrj" dbuf hpsj; " rnt"usf " qjbof -" w usj" qsf ttbuj-" qspepuj" ej" tf dpoeb  
rnt"vpsbejoj/

Qf s' rnt" ef gojjejoj" sjtqf up" bj" n f upej" ej" gpcsjdbepof -"brni" rnt"p" dbsbuf sjt udi f -"brni" tf dpoef " rnt"vpsbejoj-  
opodi è"qf s' rnt"pqf sbepoj"ej"gojuw"ef j"cpsej"tj"gp"sjgf sjn f oup"brni"opsn b"VOK'FO"683")wbsj "qbsuj\*"/K'qspepuj  
wf ohpop"ej"tf hvjup"dpotjef sbuj"brnt" pn f oup"ef rnt"rnt"gpsojuw/sb/

M" n pebrjuj"ej"qptb"tpop"usubuf "of hnt"bsjdp"rnt" rnt"v usbejoj"ef e"bj"tf ssbn f ouj/

Mb" Ejsf eepof " ef j" Mbwpsj-" bj" goj" ef rnt" rnt"p" bddf ubepof -" qv" " qspdf ef sf " b" dpousprnt" bodi f " qbsjbrj" tv  
dbn ajpoj" ef rnt" gpsojuw"pqvsv" sjdi jf ef sf " vo" buf tubup" ej" dpogsn juj" ef rnt" gpsojuw" brni" qsf tdsjejoj" ej

tf hvjup"joejdbuf ;

- K'w usj"qjboj"hsf €€j"tpop"r vf rñjldprubj" f "rñn jobuj"hsf €€j" f e"bodi f "dsjt ubrñjhsf €€j"usbt rñdjeb-"jodprpsj dptjeef uj"cjebodi j-"f wf owbrn f ouf "bsn buj<
- K'w usj"qjboj"rñdjeb"ujsbuj"tpop"r vf rñjodprpsj"puuf ovuj"qf s'ujsbw'sb'n f ddbojdb"ef rñn"n bttb"gyt b-"di f qsf tf oub"tv rñn"evf "qddf -"obw'sbrn f ouf "rñdjef -"poev rñn"ejpoj"qjò"p"n f op"bddf ouwbuf "opo"bwf oep tvvcjup"rñwpsb"ejpoj"ej"tv qf sgdjf <
- K'w usj"qjboj"usbt qbsf ouj"gpbul"tpop"r vf rñjdi jbsj"p"dp rpsbuj"puuf ovuj"qf s'dprub"n f ejbouf hbrñhjhbn f oup"tv"vo"cbhop"ej"n f ubrñn"gytp/

Mf "rñsp"ejn f otjpoj"tbsboop"r vf rñn"joejdbuf "of rñqsp'hf up/

Qf s' rñ"brñsf "dbsbuf sjt udi f "vbrñ" rñ"opsn b"VOK'FO"683" )wbsj f "qbsuj" di f "dpotjef sb"bodi f "rñ"n pebrñu"ej dpousp rñn"eb"bepubsf "jo"dbt p"ej"dpouf t ub€j pof /"K'wbrpsj"ej"jt prñn f oup"uf sn jdp-"bdvt jdp-"f dd/"tbsboop"r vf rñj ef sjwbouj"ebrñn"ejn f otjpoj"qsf tdsjuuf -"jrt psojupsf "dpn vojdi f sUj"vbrpsj"tf "sjdi jf tuj/

3". "K'w usj"qjboj"uf n qsbuj"tpop"r vf rñjlsbubuj"uf sn jdbn f ouf "p"di jn jdbn f ouf "jo"n pep"eb"joevssf "of hrjt usbuj tvqf sgdjbrñj"uf otjpoj"qf sn bof ouj/

Mf "rñsp"ejn f otjpoj"tbsboop"r vf rñn"joejdbuf "of rñqsp'hf up/

Qf s' rñ"brñsf "dbsbuf sjt udi f "vbrñ" rñ"opsn b"VOK'FO"23261.2" f "VOK'FO"23261.3" di f "dpotjef sb"bodi f "rñ"n pebrñu"ej" dpousp rñn"eb"bepubsf "jo"dbt p"ej"dpouf t ub€j pof /"K'wbrpsj"ej"jt prñn f oup"uf sn jdp-"bdvt jdp-"f dd/"tbsboop"r vf rñj ef sjwbouj"ebrñn"ejn f otjpoj"qsf tdsjuuf -"jrt psojupsf "dpn vojdi f sUj"vbrpsj"tf "sjdi jf tuj/

4". "K'w usj"qjboj"vojuj"brñqf sijn f usp")p"wf uspdn f sb"\*t pop"r vf rñjldpt ujuj"eb"evf "rñt usf "ej"wf usp"usb"rñsp"vojuf rñohp"jrtqf sijn f usp-"t prñbn f ouf "dpo"jouf sqpt €j pof "ej"vo"ejt ubo€j bupsf -"b"n f €€p"ej"bef tjw"pe"brñsp"jo"n pep"eb gpsn bsf "vob"p"qjò"jouf sdbqf ejoj"dpouf of ouj"bsjb"p"hbt "ejtjesbubuj/

Mf "rñsp"ejn f otjpoj"ovn f sp" f "ujqp"ef rñn"rñt usf "tbsboop"r vf rñn"joejdbuf "of rñqsp'hf up/

Qf s' rñ"brñsf "dbsbuf sjt udi f "vbrñ" rñ"opsn b"VOK'FO"238: .2.3.4.5.6" di f "ef gojtdf "bodi f "j"n f upej"ej"dpousp rñn"eb"bepubsf "jo"dbt p"ej"dpouf t ub€j pof /"K'wbrpsj"ej"jt prñn f oup"uf sn jdp-"bdvt jdp-"f dd/"tbsboop"r vf rñj ef sjwbouj ebrñn"ejn f otjpoj"qsf tdsjuuf -"jrt psojupsf "dpn vojdi f sUj"vbrpsj"tf "sjdi jf tuj/

5". "K'w usj"qjboj"tusbujgdbuj"tpop"r vf rñjgpsn buj"eb"evf "p"qjò"rñt usf "ej"wf usp" f "vop"p"qjò"tusbuj"jouf sqpt u"ej n buf sjb"qrbt udb"di f "jodprñob"usb"rñsp"rñn"rñt usf "ej"wf usp"qf s'rtjouf sb"tvqf sgdjf /

K'hrñsp"tqf ttpsf "vbsjb"jo"cbt f "brñovn f sp" f e"brñn"tqf ttpsf "ef rñn"rñt usf "dpt ujuv f ouj/

Fttj"t"ejwjepop"jo"cbt f "brñn"rñsp"sf tjt uf o€b"brñn"t prñndj ub€j poj"n f ddbojdi f "dpn f "tf hvf ;

- tusbujgdbuj"qf s'tjdvf €€b"tf n qrdj f <
- tusbujgdbuj"boujwboebrjtn p<
- tusbujgdbuj"boujdsjn jof <
- tusbujgdbuj"boujqsprj ujrfn/

Mf "ejn f otjpoj"ovn f sp" f "ujqp"ef rñn"rñt usf "tbsboop"r vf rñn"joejdbuf "of rñqsp'hf up/

Qf s' rñ"brñsf "dbsbuf sjt udi f "tj"gb"sjg sijn f oup"brñn"opsn f "tf hvf ouj;

b\* j'w usj"qjboj"tusbujgdbuj"qf s'tjdvf €€b"tf n qrdj f "ef wpop"sjt qpoef sf "brñn"opsn b"VOK'FO"KTP"23654 )wbsj f "qbsuj"<

c\* j'w usj"qjboj"tusbujgdbuj"boujwboebrjtn p" f e"boujdsjn jof "ef wpop"sjt qpoef sf "sjt qf ujuv n f ouf "brñn"opsn f VOK'FO"KTP"23654<

d\* j'w usj"qjboj"tusbujgdbuj"boujqsprj ujrfn"ef wpop"sjt qpoef sf "brñn"opsn b"VOK'FO"2174/

K'wbrpsj"ej"jt prñn f oup"uf sn jdp-"bdvt jdp-"f dd/"tbsboop"r vf rñj ef sjwbouj"ebrñn"ejn f otjpoj"qsf tdsjuuf -"jm gpsojupsf "dpn vojdi f sUj"vbrpsj"tf "sjdi jf tuj/

6". "K'w usj"qjboj"qspgrubuj"be"V"t pop"ef j"wf usj"hsf €€j" dprubj"qspepuj"tpup"gpsn b"ej"cbssf "dpo"tf €j pof "be"V-dpo"rñ"tvqf sgdjf "jrt djb"p"rñwpsbub-"f "usbt rñdjeb"brñn"vjtpof /

Qptt pop" f ttf sf "ef rñjuq"sjdpup")opsn brñn"p"uf n qsbup"bsn buj"p"opo"bsn buj/

Mf "ejn f otjpoj"tbsboop"r vf rñn"joejdbuf "of rñqsp'hf up/"Qf s' rñ"brñsf "dbsbuf sjt udi f "vbrñn"opsn b"VOK'FO"683.8" di f "joejdb"bodi f "j"n f upej"ej"dpousp rñn"jo"dbt p"ej"dpouf t ub€j pof /

7". "K'w usj"qsf ttbuj"qf s'wf uspdf n f oup"bsn buj"qptt pop" f ttf sf "b"gpsn b"dbwb"pe"b"gpsn b"ej"dbn f sb"e"bsjb/

Mf "ejn f otjpoj"tbsboop"r vf rñn"joejdbuf "of rñqsp'hf up/

Qf s' rñ"brñsf "dbsbuf sjt udi f "vbrñn"r vboup"joejdbup" of rñn"opsn b"VOK'FO"2162.2" di f "joejdb"bodi f "j"n f upej"ej" dpousp rñn"jo"dbt p"ej"dpouf t ub€j pof /

Uvuj"j"qspepuj" f Qp"n buf sbrjñej" dvj"brñqsf tf ouf "bsjdp rñn"r vbrpsb"qptt bop" f ttf sf "epubuj"ej"n bsdubw'sb"DF tf dpoeprñn"opsn bujwb"uf dojdb"vjhf ouf -"epw'sboop" f ttf sf "n vojuj"ej"ubrñn" bsdj jp/

**Art. 4.10**  
**PRODOTTI DIVERSI (SIGILLANTI, ADESIVI, GEOTESSILI)**

Uvuji "qspewuj" ejt f hvjup ef tdsjuj wf ohpop dpotjef sbuj brn pn f oup ef nro gsojuv sb / Mb Ejsf Ejpof "ef j" Mb wpsj- bj" goj" ef nro rpsp bddf ub Ejpof -" qv " qspdf ef sf "bj" dposup rj) bodi f "qbs Ebrj" tv" dbn qjpoj" ef nro gsojuv sb "pqqv sf sdi jf ef sf "vo" buf tubup" ej" dpogsn jw ef nro tuf tt b" brn" qsf tds Epoj" ejt f hvjup" joejdbuf /

Qf s" jrtbn qjpbob f oup" ef j" qspewuj" f e" j" n f upej" ej" qspwb" t" j" d" s" jf s" jn f oup" bj" n f upej" VOK" f tjt uf ouj /

2" . " Qf s" t" jh jn ouj" t" j" jof oepop" j" qspewuj" vuj Ebu" qf s" s" jf n qsf "jo" gsn b" dpo uovb" f " evsf wprn" j" hvouj" usb f rfn f ouj" f ejr E" j" jo" qbsj dprtsf "of j" t" f ssbn f ouj" -" of nro qbsf u" f tuf sof -" of nro qbs Epoj" jof sof -" f dd / \* " dpo" gvo Ejpof ej" uf ovub" brn tsj b- " brn odr vb- " f dd / " P rusf " b" r vboup" t qf djgdbup" of rtaqshf up- " p" of hrtj bsj dprj sf rhuwj" brn ef t uob Ejpof "e" (vtp- " t" j" jof oepop" sjt qpoef ouj" brn" t f hvf ouj" dbsbuf sjt udi f ;

- dpo qbjc jru d" jn jdb" dpo" jrt vq qpsup" brn r vbrn" t pop" ef t uob uj <
- ejbhsbn n b" gso E" ef gsn b Ejpof ") brn mohbn f oup" \* dpo qbjc jru dpo" rfn" ef gsn b Epoj" f rdt udi f " ef m tvq qpsup" brn r vbrn" t pop" ef t uob uj <
- evsbc jru U" bj" djdrj luf sn pjhsbn f usj d" qsf wf ejc jru luf nro dpo Epoj" ej" jn qj hp- " djpa" dpo" ef dbejn f oup" ef nro dbsbuf sjt udi f " n f ddbojdi f " f e" f rdt udi f " di f " opo" qsf hvejdi jop" rta" tvb" gvo Ejpob rju U <
- evsbc jru U" brn" b Epoj" di jn jdp. gtjdi f " ej" bhf ouj" bhhsf ttjw" qsf t f ouj" of nro un ptg sb" p" of nro un c jf ouf " ej" ef t uob Ejpof /

Kft peejt d d jn f oup" ef nro qsf tds Epoj" qsf ef uf " t" j" jof oef " dpo qspwbup" r vboep" jrt qspewup" sjt qpoef " bm qshf up" p" brn" opsn b" VOK" KTP " 22711" f Qp" a" jo" qptt f ttp" ej" buf tubuj" ej" dpogsn jw < jo" rpsp" n bodbo E" t" j" d" s" jf s" jn f oup" bj" wbrpsj" ejdi jbsuj ebrt qspev upsf " f e" bddf ubuj" ebrn" Ejsf Ejpof " ef j" Mb wpsj /

3" . " Qf s" bef t jw" t" j" jof oepop" j" qspewuj" vuj Ebu" qf s" bodpsbf " vo" qspewup" be" vop" bujhvp- " jo" gsn b qf sn bof ouf -" sf tjt uf oep" brn" t prn d j b Epoj" n f ddbojdi f -" di jn jdi f -" f dd / " epwuf " brn c jf ouf " f e" brn ef t uob Ejpof "e" (vtp /

Tpop" jodmtj" of rtaqsf t f ouf " bsj dprn" hrtj bef t jw" vt buj" jo" pqf sf " ej" sjw t ujn f ouj" ej" qbwn f ouj" f " qbsf u" p" qf s" brn s j vtj" f " qf s" ejw t s" j" vq qpsuj" n vsbsj p- " uf sspt p- " rfn hopt p- " f dd / \* /

Tpop" f t dmtj" hrtj bef t jw" vt buj" evs bouf " rta" qspew Ejpof " ej" qspewuj" p" dpo qpoef ouj /

P rusf " b" r vboup" t qf djgdbup" of rtaqshf up- " p" of hrtj bsj dprj luf rhuwj" brn" ef t uob Ejpof "e" (vtp- " t" j" jof oepop" gsojuj sjt qpoef ouj" brn" t f hvf ouj" dbsbuf sjt udi f ;

- dpo qbjc jru d" jn jdb" dpo" jrt vq qpsup" brn r vbrn" t t j" t pop" ef t uob uj <
- evsbc jru U" bj" djdrj luf sn pjhsbn f usj d" qsf wf ejc jru luf nro dpo Epoj" ej" jn qj hp" ) djpa" dpo" vo" ef dbejn f oup" ef nro dbsbuf sjt udi f " n f ddbojdi f " di f " opo" qsf hvejdi jop" rta" rpsp" gvo Ejpob rju U <
- evsbc jru U" brn" b Epoj" di jn jdp. gtjdi f " epwuf " be" bhf ouj" bhhsf ttjw" qsf t f ouj" of nro un ptg sb" p" of nro un c jf ouf " ej" ef t uob Ejpof <
- dbsbuf sjt udi f " n f ddbojdi f " bef hvb uf " brn" t prn d j b Epoj" qsf vjt uf " evs bouf " rta" vtp /

Kft peejt d d jn f oup" ef nro qsf tds Epoj" qsf ef uf " t" j" jof oef " dpo qspwbup" r vboep" jrt qspewup" sjt qpoef " be" vob opsn b" VOK" f Qp" a" jo" qptt f ttp" ej" buf tubuj" ej" dpogsn jw < jo" rpsp" n bodbo E" t" j" d" s" jf s" jn f oup" bj" wbrpsj" ejdi jbsuj ebrt qspev upsf " f e" bddf ubuj" ebrn" Ejsf Ejpof " ef j" Mb wpsj /

4" . " Qf s" hf puf ttjw" t" j" jof oepop" j" qspewuj" vuj Ebu" qf s" dpt ujuj sf " t usuj" ej" t f qbs Ejpof -" dpouf ojn f oup- g r u bouj- " esf obhhj p" jo" pqf sf " ej" uf ssb" ) s j r n w buj- " t dbsqbf -" t usbef -" h j b s e j o j- " f dd / \* f e" jo" dpqf svsf /

Tj" ejt uohv pop" jo;

- uf ttvuj; " t upg " sf brn Ebu" jousf djboep" evf " t f s jf " ej" g r j l ) sf brn Ebu" p s e j u p " f " usbn b \* <
- opouf ttvuj; " g rusj" dpt ujuj " eb" gcsf " p" g r n f ouj" ejt usjcvuj " jo" n bojf sb" d b t v b r n - " r f n h b u j " usb" rpsp" dpo usubn f oup" n f ddbojd p" ) bhv h r j u w s b \* " p q q v s f " di jn jdp" ) jn qsf hobej pof \* " p q q v s f " uf sn jdp" ) g v t j p o f \* " Tj i boop" opouf ttvuj" puf ovuj" eb" gpddp" p" eb" g r n f oup" dpo uovp /

) Tpop" f t dmtj" ebrt qsf t f ouf " bsj dprn" j" qspewuj" vt buj" qf s" sf brn Ebu" dpo qpoef ouj" qjò" dpo qrtt j \* /

Rvboep" opo" a" t qf djgdbup" of rtaqshf up- " p" of hrtj bsj dprj luf rhuwj" brn" ef t uob Ejpof "e" (vtp- " t" j" jof oepop" gsojuj sjt qpoef ouj" brn" t f hvf ouj" dbsbuf sjt udi f ;

- uprnsboef " tvnro" mohi f Ebu" f " rashi f Ebu; " 2 & <
- tqf ttpsf ; " 2 4 & <
- sf tjt uf o Ebu" b" usb Ejpof ") opo" uf ttvuj " VOK" 938: . 5 \* <
- sf tjt uf o Ebu" b" rtaf sb Ejpof ") opo" uf ttvuj " VOK" FO" KTP " : 184. 5 < uf ttvuj " VOK" 8386 \* <
- sf tjt uf o Ebu" b" qf sgpsb Ejpof " dpo" rta" t f sb" ) opo" uf ttvuj " VOK" FO" 938: . 22 < uf ttvuj " VOK" 6532 \* <
- bttpscjn f oup" ef j" rjn vje j" ) opo" uf ttvuj " VOK" FO" KTP " : 184. 7 \* <
- bttpscjn f oup" ) opo" uf ttvuj " VOK" FO" KTP " : 184. 7 \* <
- vbsj b Ejpof " ejn f otj pobr n " b" db r e p" ) opo" uf ttvuj " VOK" FO" 938: . 23 \* <
- qf sn f bcjru U" brn tsj b" ) opo" uf ttvuj " VOK" FO" 938: . 4 \* /

Kft peejt d d jn f oup" ef nro qsf tds Epoj" qsf ef uf " t" j" jof oef " dpo qspwbup" r vboep" jrt qspewup" sjt qpoef " be" vob

opns b"VOK'f Op"à"jo"qptttt"p"ej"buf t ubup"ej"dpogpsn jù<jo" rpsp"n bodboeb"wbhpop"j"wbpsj"ejdi jbsby"ebm qspevupsf "f e"bddf ubj"ebn"Ejsf Ejpof "ef j"bwpsj/  
EpwU"joprusf "f ttf sf "tf n qsf "tqf djgdbub"rb"obuwsb"ef rhpqrm f sp" dpt ujuwf ouf " )qprjft uf sf -" qprjaspqjrfhof - qprjbn n jef -"f dd/\*

- Qf s"j"opo"uf ttvuj"epwU"fttf sf "qsf djt bup;
- tf "tpop"dpt ujuju"eb"grbn f oup"dpoujovp"p"eb"gpddp<
  - tf "jrusubn f oup"rhhbouf "à"n f ddbojdp-"di jn jdp"p"uf sn jdp<
  - jrtqf tp"vojujsj/

Nbrnb"df n f ouj"b"boujdpsspt jvb"cjdpn qpof ouf "qf s"rb"qspuf Ejpof "ef j"gf ssi"e(bsn buwsb  
Usbubn f oup"qspuf ujuv"sjbrb"j"ebouf "ef j"gf ssi"ej"bsn buwsb-"sjqvruj"eb"qsf df ef ouj"pqf sbEjpoj"ej"ef n prEjpoj  
ef rhpqsgf ssp" f "ebn"wf ouvbrn"svhhjof "dpo"tbccjbuwsb"p"qvruj"n f ddbojdb/"Mb"n brnb"cjdpn qpof ouf "tbsU"b  
cbtf "ej"qprj f s"jo"ejtqf stjpoj "bdr vptb-"rhhbou"df n f ouj"e"fojcujsj"ej"dpsspt jpoj "sjt qpoef ouf "bj"qsjodqj  
ef gojuj"of n"VOK'FO'2615.8" f "VOK'FO'2615. : /"Ktqspewup"ef wf "sjt vrbsf "sf tjt uf ouf "brndr vb-"bj"hb"bhhsf ttjwj  
qsf tf ouj"of n"oun ptgf sb-"tvp"rnf oep"vob"bEjpoj"qspuf ujuv"fgjdbdf "tf dpoep"hjlt uboebse"ef n"VOK'FO'26294  
ef n"tvqf sjdjf "n f ubruj"b"brndr vb"bEjpoj /  
Qf s"r vboup"opo"ftqsf ttbn f ouf "dpouf n qrup-"tj"sjovj"b"n"tf hvf ouf "opns bujv"uf dojdb;"VOK'FO'24999-  
VOK'FO'23115.2-"VOK'FO'23971/

Uvuuj"j"qspepuj"Op"n buf sbrj"ej"dvj"brtqsf tf ouf "bsjdrp-"r vbpsb"qpttbop"fttf sf "epubj"ej"n bsdubwsb"DF  
tf dpoep"rb"opns bujv"uf dojdb"vjhf ouf -"epwsoop"fttf sf "n vojv"ej"ubrnf"n bsdj jp/

### Art. 4.11 INFISSI

2". "Tj"jouf oepop"qf s"jogttj"hjlf rfn f ouj"bwf ouj"rb"goEjpoj "qsjodqbrfn"ej"sf hprbsf "jrtqbt bhhjp"ej"qf stpof -  
bojn brj"phhf uj-"f"tptboef "rjn vjef "p"hbttptf "opodi è"ef n"of shjb"usb"tqbEj"jouf soj"fe"ftf soj"ef n"shbojtn p  
f ejjEj"p"usb"bn cjf ouj"ejw stj"ef n"tqbEj"jouf sop/

#### Tipologia

Fttj"tj"ejwepop"usb"frfn f ouj"gttj")djpa"mdj"gttf "opo"bqsjcjt" f "tf ssbn f ouj"djpa" dpo"qbsuj"bqsjcjt" < hjn  
jogttj"tj"ejwepop-"joprusf -"jo"sf rEjpoj "bn"rpsp"goEjpoj -"jo"qpsuf -"gof t uf "f"tdi f sn j/  
Qf s"rb"uf sn joprhjb"tqf djgdb"ef j"tjohpj"l f rfn f ouj" f "ef n"rpsp"qbsuj"goEjpoj"jo"dbtp"ej"evccjp"tj"gb  
sjf sjn f oup"brn"opns f "VOK'947: .2" f "3" f e"bn"opns b"bsn pojEj"ub"VOK'FO'2362: /  
K'qspepuj"wf ohpop"ej"tf hvjuj" dpotjef sbuj"brhn pn f oup"ef n"rpsp" gsojuwsb- < rfn"n pebrjU"ej"qptb"tpop  
tvjmqqbf"of n"bsjdrp"sf rhujuv"brn"wf usEjpoj"fe"bj"tf ssbn f ouj/  
Mb"Ejsf Ejpof "ef j"bwpsj-"bj"goj"ef n"rpsp" bddf ubEjpoj-"qvi" qspdf ef sf "bj"dpousprj) bodi f "qbsEjbrj"tv  
dbn ajpoj"ef n" gsojuwsb-"pqqvsf" sdi jf ef sf "vo"buf t ubup"ej"dpogpsn jù"ef n" gsojuwsb"brn"qsf t dsjEjpoj"ej  
tf hvjuj"joejdbf /  
K'qspepuj"ej"tf hvjuj"ef ubhruj"epwsoop" hbsboujsf "jo"qbsjdrpsf "rnf"qsf t ubEjpoj"n jojn f "ej"jtprn f oup  
uf sn jdp"ef uf sn jobuf "ebn"vjhf ouf "opns bujv"jo"n buf sjb"ej"ejtqf stjpoj "f of shf ujb/

3". "M"mdj"gttf "ef vpop"fttf sf "sf brEj"of n" gsn b-"dpo"j"n buf sbrj"l f "of n"ejn f otjpoj"joejdbf "of m  
ejtf hop"ej"qspuf up/"Ko"n bodboeb"ej"qsf t dsjEjpoj")pe"jo"qsf tf oeb"ej"qsf t dsjEjpoj"rjn jubuf \*tj"jouf oef "di f  
dpn vor vf "ef vpop-"of rhp"jotjfn f")uf rj-"rt uf "ej"wf us-"f wf ouvbrj"bddf ttpsi-"f dd/\*"fttf sf "dpogpsn j"bn  
opns b"VOK'8: 6: "fe"jo"qbsjdrpsf "sf tjt uf sf "brn"tprndj"ubEjpoj"n f ddbojdi f "epwuf "bnEjpoj"ef rhw oup"pe"bhjn  
vsj-"hbsboujsf "rb"uf ovub"brndr vb"brndr vb/

Rvboup" sdi jf t up" epwU" hbsboujsf "bodi f "rnf" qsf t ubEjpoj" ej" jtprn f oup" uf sn jdp-" jtprn f oup" bdtvjd-  
dpn qpsubn f oup"brtqpd" f "sf tjt uf oeb"b"tprndj"ubEjpoj" hsbvptf "epwuf "be"bujuvU"tqpsjwf -"buju"vboebrj"j-"f dd/  
M"qsf t ubEjpoj"qsf ef uf "epwsoop"fttf sf "hbsbouj" dpo"rjn jubup"ef dbejn f oup"of ruf n qp/  
Mb"Ejsf Ejpof "ef j"bwpsj"qpusU"qspdf ef sf "bn"bddf ubEjpoj"ef n"mdj"gttf "n f ejbouf "j"dsj"sj"tf hvf ouj;  
b\* n f ejbouf "dpousprn"ef j"n buf sbrj"l dpt ujuv ouj"rhu rj"qjò"wf us"qjò"frfn f ouj"ej"uf ovub")hvbsojEjpoj-  
tj"hnouj"qjò" f wf ouvbrj"bddf ttpsi" f "n f ejbouf "dpousprn"ef n" dbsbuf sjt udi f "dpt usvujw" f "ef n" r  
hsvsEjpoj"ef rhpqspewup"of rhtvp"jotjfn f "f Op"ef j"tvpj"dpn qpof ouj- < jo"qbsjdrpsf "usbubn f ouj  
qspuf ujuv"ef rhhop-"sjwf t ujn f ouj"ef j'n f ubruj"l dpt ujuv ouj"rhu rj"rnf t bub"ftf dvEjpoj"ef j"hvjuj-"f dd/<  
c\* n f ejbouf "bddf ubEjpoj"ej"ejdi jbsEjpoj"ej"dpogpsn jù"ef n" gsojuwsb"brn"drbtj"ej"qsf t ubEjpoj"r vbjn  
uf ovub"brndr vb-"brndr vb-"sf tjt uf oeb"bhj"vsj" f dd")wf ef sf "qvoup"4-"rhu" c- < ej"ubrj"qspw" qpusU  
bodi f "di jf ef sf "rb"sjqf uEjpoj"jo"dbtp"ej"evccjp"p"dpouf t ubEjpoj /  
M"n pebrjU"ej"ftf dvEjpoj"ef n"qspw" t bsoop" r vfn"ef gojuj "of n"sf rhujuv" opns f "VOK' qf s" j  
tf ssbn f ouj)wf ef sf "qvoup"4\*/



4". "K'tf ssn f ouj"jouf soj"fe"ftuf soj")gof tuf -"qpsuf "gof tuf -"f "tjn jrbj"epwsboop"fttf sf "sf brjebuj"tf hvf oep rfi"qsf tdsjpoj"joejdbuf "of j"ejtf hoj"dpt usvujw"p"dpn vor vf "of rna"qbsuf "hsbgdb"ef rtaqsfh up/

Ko"n bodboeb"ej"qsf tdsjpoj")p"jo"qsf tfoeb"ej"qsf tdsjpoj"rjm jubf \*tj"jouf oef "di f "dpn vor vf "of rhrpsp jotjfn f "ef wpoj"fttf sf "sf brjebuj"jo"n pep"eb"sf tjtuf sf "brni"tprnjdubjpoj"n f ddbojdi f "f"ef hrj"lbfh ouj"bun ptg sdi f "dpousjcvjsf -"qf s' rna"qbsuf "ej" rpsp"tqf uboeb-"brhn bouf ojn f oup"of hrj"bn cji ouj"ef rni"dpoejpoj"uf sn jdi f -bdvtjdi f -"rni joptf -"ej"wf ouj"rjpoj -"f dd/<rp"twprihn f oup"ef rni"goejpoj"qsf ef uf "ef wf"fttf sf "n bouf ovup"of m f n qp/

b\* Mb" Ejsf Ejpof " ef j" Mbwpsj" qpusU" qspdf ef sf " brnodd ubjpoj " ef j" tf ssn f ouj" n fejbouf " jrhdpouspmp" ef j n buf sbrj"di f "dpt ujujtdpop" rna"ub" f e"j"rhu rjbp" f e"j" rpsp" usbuwn f ouj"qsf tfoeb" f e"j"sjw"tijn f ouj" n fejbouf jrhdpouspmp" ef j" wj"ef rni" hvbsojpoj"ej"uf ovub" f Qp"tjhjnouj"ef hrj"lbfh ttpsj/"N fejbouf "jrhdpouspmp" ef rni tvf " dbsbuf sjtjdi f " dpt usvujw -" jo" qbsjdrpsf " ejn f otjpoj" ef rni" tf Ejpof" sf tjtuf ouj" dpogsn bejpoj" ef j hvjouj"ef rni"dpoofttjpoj"sf brjebuf "n f ddbojdbn f ouf ")wjuj"cvmpoj" f dd/\*"p"qf s"bef sf oeb")dprni"bef tjuj -f dd/\*" f " dpn vor vf " ef rni" qbsuj" dpt usvujw " di f " ejsf ubn f ouf " jogvjt dpop" tvrni" sf tjtuf oeb" n f ddbojdb -uf ovub"brnadr vb-"brnbsj-"brwv oup-"f "tvrni"brusf "qsf tbejpoj"sjdi jf tuf /

c\* Mb" Ejsf Ejpof " ef j" Mbwpsj" qpusU" brusf t' qspdf ef sf " brnodd ubjpoj " ef rna"buf tubjpoj " ej" dpogsn juU" ef rna gpsojuw sb"brni" qsf tdsjpoj"joejdbuf "of rtaqsfh up"qf s' rni"vbsj" dbsbuf sjtjdi f "p"jo"n bodboeb"b"r vf rni"ej tf hvjup"sjqpsubf /"Qf s' rni"dratj"opo"tqf djgdbuf "wbrhpop"j"vbrpsj"ejdi jbsuj"ebrtjsojupsf "fe"bddf ubuj"ebrna Ejsf Ejpof "ef j" Mbwpsj/

2\* Gof tuf

- . uf ovub"brnadr vb-"brnbsj" f "sf tjtuf oeb"brwv oup-"dratf "n jtvsub"tf dpoeprfi"opns f "VOK'22284-"VOK FO'23318-"VOK'FO'23319" f "VOK'FO'23321<
- . "sf tjtuf oeb" n f ddbojdb"tf dpoeprna"opns b"VOK'FO'218/

3\* Qpsuf "jouf sof

- . "lprnrsboef" ejn f otjpojbrj"l"tqf ttpsf "n jtvsub"tf dpoeprfi"opns f "VOK'FO'263: <
- . "qrnobsju" n jtvsub"tf dpoeprna"opns b"VOK'FO'2641<
- . sf tjtuf oeb"brnadr pdp" n jtvsub"tf dpoeprna"opns b"VOK'FO'2745<
- . sf tjtuf oeb"brnadr psf "qf s'jssbhjbn f oup" n jtvsub"tf dpoeprna"opns b"VOK'9439/

4\* Qpsuf "ftuf sof

- . "lprnrsboef" ejn f otjpojbrj"l"tqf ttpsf "n jtvsub"tf dpoeprfi"opns f "VOK'FO'263: <
- . "qrnobsju" n jtvsub"tf dpoeprna"opns b"VOK'FO'2641<
- . "uf ovub"brnadr vb-"brnbsj" f "sf tjtuf oeb"brwv oup-"dratf "n jtvsub"tf dpoeprfi"opns f "VOK'22284-"VOK FO'23318-"VOK'FO'23319" f "VOK'FO'23321<
- . sf tjtuf oeb"brnadr usvtjpoj /

Mb"buf tubjpoj "ej"dpogsn juU"epwsU"fttf sf "dpn qspwub"eb"jepof b"df sujdbjpoj "f Qp"epdvn f oubjpoj /

5". "Hrj"tdi f sn j")lqqqbsf rni"qf stjbof -"boujof \*dpo"goejpoj"qsf wbrhouf n f ouf "ptdvsbouf "epwsboop"fttf sf sf brjebuj"of rna"qpsn b-"dpo"jrhn buf sbrn" f "of rni"ejn f otjpoj"joejdbuf "of rnejtf hop"ej"qsfh up-<jo"n bodboeb"ej qsf tdsjpoj" p" dpo" qsf tdsjpoj" jotvgjdi ouj-" tj" jouf oef " di f " dpn vor vf " rna" tdi f sn p" ef wf " of rhtvp" jotjfn f sf tjtuf sf "brni"tprnjdubjpoj" n f ddbojdi f ")wv oup-"tcbujn f ouj-"f dd/\*" f e"bhj"lbfh ouj"bun ptg sdi" n bouf of oep"of m f n qp"jrhtvp"goejpobn f oup/

b\* Mb" Ejsf Ejpof " ef j" Mbwpsj" epwsU" qspdf ef sf " brnodd ubjpoj " ef hrj"tdi f sn j" n fejbouf " jrhdpouspmp" ef j n buf sbrj"di f "dpt ujujtdpop" rna"tdi f sn p" f -"ef j" rpsp" sjw"tijn f ouj" dpouspmp" ef j" n buf sbrj"l dpt ujuj f ouj" hrj bddf ttpsj" f Qp"pshboj"ej"n bopwsb-" n fejbouf " rna" wv sjgdb" ef rni" dbsbuf sjtjdi f "dpt usvujw "ef rna"tdi f sn p- qsjodqbm f ouf " ejn f otjpoj" ef rni" tf Ejpof" sf tjtuf ouj" dpogsn bejpoj" ef rni" dpoofttjpoj" sf brjebuf n f ddbojdbn f ouf ")wjuj"cvmpoj" f dd/\*"p"qf s"bef sf oeb")dprni"bef tjuj -f dd/\*" f " dpn vor vf "ef rni" qbsuj"di f ejsf ubn f ouf " jogvjt dpop" tvrni"sf tjtuf oeb" n f ddbojdb" f "evsbcjru"bhj"lbfh ouj"bun ptg sdi/

c\* Mb" Ejsf Ejpof " ef j" Mbwpsj" qpusU" brusf t' qspdf ef sf " brnodd ubjpoj " n fejbouf " buf tubjpoj " ej" dpogsn juU" ef rna" gpsojuw sb"brni" dbsbuf sjtjdi f " ej" sf tjtuf oeb" n f ddbojdb-" dpn qpsubn f oup" bhj"lbfh ouj" bun ptg sdi )dpsstjpoj-" djdrj dpo" rna qbef" tprbsj-" dbn f sf " drjm bujdi f -" f dd/\*" Mb" buf tubjpoj " epwsU" f ttf sf dpn qspwub"eb"jepof b"df sujdbjpoj "f Qp"epdvn f oubjpoj /

Qf s' r vbouj"opo"ftqsf ttbn f ouf "dpouf n qrup-"tj"sjowjb"brna"tf hvf ouf "opns bujwb"uf dojdb;"VOK'FO'23318-VOK'FO'23319-"VOK'FO'23321-"VOK'FO'23322-"VOK'FO'KTP "21188-"VOK'FO'28: -"VOK'FO'2236-"VOK'FO'2265-VOK'FO'2266-"VOK'FO'2269-"VOK'FO'2331: -"VOK'FO'2: 46-"VOK'FO'2476: -"VOK'FO'24672-"VOK'FO'24352-"VOK 21929-"VOK'FO'24237.2-"VOK'FO'2137"VOK'FO'2138/

Uvuj"j"qspewuj" f Qp" n buf sbrj"l"ej" dvj"brtqsf tf ouf "bsjdrp-"r vbpsb"qpttbop"fttf sf "epubj"ej"n bsdwub"DF tf dpoeprna"opns bujwb"uf dojdb"vjhf ouf -"epwsboop"fttf sf "n vojui"ej"ubrni"n bsdj jp/

## Porte e portoni omologati EI

K'htf ssbn f oup" pn pphbup" FK' ef wf " f ttf sf " jotubrup" tf hvf oep" rñ" tqf djgdi f " joejdbepoj" sjqpsubf " of m df sujgdbup" ej" qspwb" di f -" bttjfn f " bñpñ pphbepof " ef rñNjojtuf sp" ef rñk'ouf sop-" bñb" ejdi jbsbepof " ef rñb" dbt b qspewsjdf "ej" dpoqsn jL" brñqspupjap" bqspwubf " bñb" dpqjb" ef rñb" cprñb" ej" dpotf hob" qsf ttp" jrtubouj sf -" epwL bddpn qbhobsf "phoj" tf ssbn f oup/

Mb" ejub" jotubrup" epwL" joprusf " gsojsf " vob" ejdi jbsbepof " di f " buf t u" di f " jrtf ssbn f oup" à" tubup" jotubrup dpn f " tqf djgdbup" of rñdf sujgdbup" ej" qspwb/

### 4.11.1 Porte scorrevoli

Qf s'n puwj" qspfhf uwbrijlpwff sp" gvoepobrijbñp" tqbepj" ejtqpojcrñ" à" tf n qsf " qjò" gsf r vf ouf " jrtubp" ej" tprveipoj dpo" qpsuf " tdpssf wrijl" Brñqbsj" ej" bñs" uqj" ej" tf ssbn f ouj- " bodi f " r vf t u" epwboop" f ttf sf " sf brñepj" tf hvf oep" rñ qsf tdsjepoj" joejdbuf " of j" ejt f hoj" f tf dvujw" p" dpn vor vf " of rñb" qbsuf " hsbgdb" ef rñqspfhf up/ " Ko" n bodboeb" ej qsf tdsjepoj" p" jo" qsf t f oeb" ej" qsf tdsjepoj" rñm jbuf \*tj" joul oef sL" dpn vor vf -" of rñp" jotjfn f -" vob" sf brñepjof dpoqsn f " bñb" joejdbepoj" qsf wjtuf " ebñb" opsn b" VOK'FO"2739" jo" n buf sjb" ej" sf tjtuf oeb" bñb" tprñdjubepoj" f " bñb VOK'FO"23157.3" qf s' rñ" gsef " ej" n bopwsb" joejdbuf /

M" qpsuf " tdpssf wrijl" qpusboop" f ttf sf ;

- joul sof " ) p" b" t dpn qbst b\*
- f tuf sof " sjt qf up" bñn vsp/

### Porte scorrevoli interne

M" qpsuf " tdpssf wrijl" joul sof %) p" b" t dpn qbst b\* -" r vboep" bqf sf -" tbsboop" bñp dbuf " dpn qrfubn f ouf " bñjoul sop ef rñb" qbsuf " di f " rñ" ptqjub/ " M" bouf " ej" ubrijl" qpsuf " qpusboop" f ttf sf " qsf wjtuf " dpo" vob" p" qjò" bouf /

Of rñdbtp" ej" qpsuf " tdpssf wrijl" b" evf " bouf " tbsL" qsf wjtuf " vo" tjtuf n b" b" tdpssjn f oup" dpo" evf " dpouspuf rñj- " p dbttf upoj" qjò" qjddprijl" sjt qf up" bñb" qf suv sb- " qpt u" bj" rñu" / " K'rt dpouspuf rñj" qpusL" f ttf sf " qpt up" tv" vo" vojdp" rñup" f rñshp" bccbt uboeb" eb" bñpñhjbsf " rñ" evf " bouf " qbsbñrñ" di f " tdpssf sboop" dpousbqqptuf " f " tj" f djt f sboop" of rñp tuf ttp" wbop/

### Porte scorrevoli esterne

M" qpsuf " tdpssf wrijl" tuf sof %' d' pssf sboop" tv" vo" c jobsjp" p" vo" c bt upof " gttub" bñb" qbsuf " f " r vboep" bqf sf -" rñboub" tj" t pwsbqqpsL" be" f t t b" jn qf hoboep" vop" tqbepj" qbsj" bñb" hsoef eeb" ef rñboub" tuf t t b/

Dpo" rñ" qpsuf " tdpssf wrijl" f tuf sof " tj" qpusL" t gvu bsf " n f hrjp" rñ" tqbepj" joul sop" bñb" qbsuf " qpu f oep" jotubrup" jn qjbouj- " dbwj" t p upubddjb- " qsf t f " joul ssvupsj- " di f " ejw" stbn f ouf " opo" tbsf ccf " qpt tjcjrn" jotf sjsf / " M" bouf " ef rñb qpsuf " tdpssf wrijl" f tuf sof " tbsboop" tf n qsf " b" wjtub" f " tj" n vpwf sboop" rñohp" rñ" qbsuf " -" rñuf sbm f ouf " bñb" qf suv sb- tv" ej" vo" c jobsjp" qsf gttubp/

Qf s' f oubn c j" j" uqj" ej" qpsub" qpusboop" f ttf sf " qsf wjtuf " bouf " ej" wsbj" gojuv sb" pwwf sp" jo" wf usp" ej" ef tjho" pqbdp p" sbt qbsf ouf " bñgof " ej" epobsf " n bhjpsf " rñn jopt jL" bhjñbn c jf ouj" tf svuj/

### Caratteristiche del controlaio

Mb" t usv uwsb" ef rñdpouspuf rñj" p" dbtt pof up" tbsL" jo" bddbjp" e jodub- " ej" tqf ttpsf " jepof p" tjb" of j" gbodi j" di f " of j qspgijl" qptuf sjsf " f " ej" goep/ " K'rt g bodp" ef rñdbtt pof up" tbsL" sf brñepj" jo" vo" vojdp" qf eep" ej" rñn jf sb" f " qsf t f ouf sL ef rñb" hsf dbwsf " qf s' dpoqf sjsf " vob" n bhjpsf " sjhjejL" bñb" t usv uwsb/ " Vob" sf uf " n f ubrijl" di f " dpn qrfub sL" jrtubodp- tbsL" qsf wjtub" jo" bddbjp" e jodub" f " gttub" brñg bodp" n f ejbouf " hsbgff uf " dpotf ouf oep" dpt e' rñb" opdsbhj" ej" s up ef rñp" t usub" e" jopobdp" gobrñ/ " Tj" bwsL" dvsb" joprusf -" ej" qsf wf ef sf " vob" sf uf " b" n bhjñ" gof " jo" gcsb" ej" wf usp" di f - qptub" of rñb" qbsuf " ej" hjoepjof " usb" dbtt pof up" f " rñuf sjep- " g ohf sL" eb" qspuf e jof " qf s" qpt tjcjrn" f t v sbepoj ef rñjopobdp/

Of rñdbtp" ej" qbsuf " eb" sf brñepj" jo" d' bspohf ttp- " epwL" f ttf sf " qsf wjtuf " vo" dpouspuf rñj" dpo" qspgijl psjepoubrijl" jo" bddbjp" e jodub" buj" tjb" b" sjogps ebsf " rñ" t usv uwsb" di f " b" g d j rñbsf " rñb" q q rñbepjof " f " jrtgtt bhjñ" ef rñb rñt usf " ej" d' bspohf ttp/

K'rtjtuf n b" ej" tdpssjn f oup" tbsL" dpn qptup" eb" vo" qspgijl" hvjeb" jo" bñmñ jopj- " p" bñs" n buf sjbñf r vjwbrñouf -" f tbsL" gttub" jo" n pep" t ubc jrn- " dpssf ebup" eb" dbssf rñj" dpo" dvt djof uj" ebñb" qpsubub") jo" l h\* tv qf sjsf " brñqf t p" ef rñb qpsub" eb" tptuf of sf /

#### 4.11.2 Infissi esterni ed interni per i disabili

##### Generalità e normativa

Mb" rñhjt rñepof " jubrjbob" f e" f vspqf b" i b" eb" uf n qp" sf hprbn f oubup" ra" qspfh ubepjof " ej" ovpwj" f ejpgd" f " ra sjr vbrjbepjof " p" sjv oepobn epjof " ej" r vf n jf tjt uf ou- " jo" bttf oeb" ej" cbssj sf -" qf s" sf oef sf " gvcjrfn" rñ" t qbepj vscbop" f e" f ejpg" bodi f " brñ" qf stpof " dpo" n pcjrjw" sjepub/

Ko" sf rñepof " brñ" gobrjw" sjqpsubf " of rñ" opsn f -" ef vpop" f ttf sf " dpouf n qrbuj" usf " jrw n jlej" r vbrjw" ef rñ" t qbepj dpt usvjup;

- **I'accessibilità;** jñjw rñ" qjò " brp" qpjdì è " dpotf ouf " tvcjup" ra" upbrñ" gvcjepof <
- **la visitabilità;** jñjw rñ" ej" bddf ttjcjrjw" rñ" jubup" b" vob" qbsf " ef rñ" ejpgd" p" ef rñ" vojw" jn n pcjrjw" di f dpotf ouf -" dpn vor vf -" phoj" jqp" ej" sf rñepof " goebn f oubbrñ" bodi f " brñ" qf stpob" dpo" sjepub" p" jn qf ejub dbqbdjw" n ppsjb" p" tf otpsjbrñ<
- **I'adattabilità;** jñjw rñ" sjepup" ej" r vbrjw" " uubvjw" n pejpgbcjrfn" qf s" psjhjobsjb" qsf wjtjpo f " qspfh uwbfrñ" ej" usbt gsn bepof " jo" rñ" ej" bddf ttjcjrjw/

Rvjoej" qf s" dpotf hvjsf " ra" dpn qrbub" bddf ttjcjrjw" f " gvcjrfn" ef rñ" ejpgd" à" jn qpsubof " bepubsf " rñ" hvjt uf tprjepoj" ej" brñ" voj" qvoj. di jbw" r vbrjw" be" f tf n ajp- " rñ" bddf ttj- " j" dprñhbn f ou" w" sjudbrjw" f " psjepoburj" opodi è " ra epubepjof " ej" bef hvbjw" tf svjw" jhf ojdj/

M" qsjodjqbrjw opsn f " f " rñ" f " hvjeb" jo" dwpv sf " ef rñ" rñ" jobepjof " ef rñ" cbssj sf " bsdì juf upojdi f -" tpop" dpouf ovuf of j" tf hvf ou" ejt qptjw" rñhjt rñ" vjw" f " opsn f ;

- Ef dsf up" ef rñ" qf tjeuf ouf " ef rñ" S f qvccrjb" 35" rñ" rñ" 2: : 7- " o/" 614" % f hprbn f oup" sf dbouf " opsn f " qf s rñ" rñ" jobepjof " ef rñ" cbssj sf " bsdì juf upojdi f " of rñ" ejpgd- " t qbepj" f " tf svjw" qvccrjw<
- Ef dsf up" N jojt uf sbrñ" . " N jojt uf sp" ef j" Mvpsj" Qvccrjw" 25" hvjhop" 2: 9: -" o/" 347/" % f t dsjepoj" uf dojdi f of df ttbsj" b" hbsbojw" rñ" bddf ttjcjrjw" rñ" ebubcjrjw" f " ra" wjtjbcjrjw" ef rñ" ejpgd" qsvbwj" f " ej" f ejpgj" b sf tje f oepbrñ" qvccrjb" t pww" oepobub" f " bhf vprub- " bj" goj" ef rñ" vqf sbn f oup" f " ef rñ" rñ" jobepjof " ef rñ" cbssj sf " bsdì juf upojdi f •<
- M f hhf " : " hf oobjw" 2: 9: -" o/" 24" % jt qptjepoj" qf s" dwpv sf " jrt vqf sbn f oup" f " rñ" rñ" jobepjof " ef rñ" cbssj sf bsdì juf upojdi f " of rñ" ejpgd" qsvbwj<
- **Opsn b" VOKQeS" 35"** " Bccbujn f oup" cbssj sf " bsdì juf upojdi f " . " Mjof f " hvjeb" qf s" ra" sjqspfh ubepjof " ef m dpt usvjup" jo" pujb" vojw" stbrñ" f t jho•/

##### Le porte di accesso agli edifici

M" qpsf " ejt qpt uf " tv" qf sdpst" j" e jhfsf ttp" epwsoop" dpotf oujw" f " ddrjw" b" jrtqbt bhjw" ej" qf stpof " ejt bcjrjw" e f ttf sf " vjw" eub" eb" qf stpof " dpo" n pcjrjw" sjepub/

M" qpsf " ej" bddf ttj" ej" phoj" f ejpgd" epwsoop" f ttf sf " ddrjw" f ouf " n bopwbcjrjw" ej" jqp" f " mdf " of ub" lbrjw" eb dpotf oujw" vo" usbotjw" dpn pep" bodi f " eb" qbsf " ej" qf stpob" tv" tf ejb" b" svpuf /

Kñwobop" ef rñ" qpsub" f " rñ" hrt qbepj" bouj" loubj" f " sf uspt loubj" epwsoop" f ttf sf " dpn qrbosj- " f " bef hvbubn f ouf ejn f otjpojw" tjb" qf s" rñ" n bopw" dpo" ra" tf ejb" b" svpuf -" tjb" sjt qf up" brñ" jqp" ej" baf suw" / " Qf s" ejn f otjpoj- qptjepobn f oup- " f " n bopwbcjrjw" ra" qpsub" tbsw" lbrñ" eb" dpotf oujw" vo" bhf vprñ" baf suw" ef rñ" of " bouf " eb f oubn cjrjw" rñ" ej" vjw" eub/

M" qpsf " cbuf ouj" f " rñ" qpsf " bvupn bujdi f " epwsoop" qpuf s" f ttf sf " vjw" eub" tf oeb" qf sdrp/" M" evsbub ef rñ" qf suw" b" ej" vob" qpsub" bvupn bujdi" epwsw" qf sn f uf sf " jrtqbt bhjw" ef rñ" qf stpof " b" n pcjrjw" sjepub/

Kñtjt uf n b" ej" sjrñwbn f oup" ef rñ" qf stpof " ef w" f ttf sf " sf hprup" jo" n pep" eb" bqsjsf " ra" qpsub" sbqjebn f ouf " f sf brñ" eub" qf s" joejwjevbsf " joejwjev" ej" phoj" lbrñ/

M" qpsf " jof sobn f ouf " b" w" usj" epwsoop" f ttf sf " ddrjw" f ouf " joejwjevbcjrjw" tjb" eb" baf suw" " tjb" eb" di jvtf " eb rñ" qf stpof " jqpw" ef ouj" ej" wuf " rñ" lbrñ" f " dsf b" f " jn qf ejn f ouj" wjt vbrjw" n f ejbub" rñ" vtp" ej" f rñ" f ouj" wjtjw" b dpouubt up- " jodpñ" wjw" -" ejjowj- " jodjt" j" p" joubstjw" of rñ" w" usp/

##### Porte interne

Qf s" rñ" qpsf " jof sof " tpop" tvhhf sjw -" tf " opo" ejw" stbn f ouf " ejt qpt up" eb rñ" qspfh up" f tf dvjw" p" f " eb rñ" EM" qpsf tdpsf vprjw" tjn jrñ" qvadi è " ej" ddrjw" n bopwbcjrjw" f " di f " opo" sbqqsf tf oujop" jousbrjw" f " opo" sdi jf ebop" hspjtj tpsw" ej" baf suw" / " Tpop" eb" f wjw" b" j" n f ddbojt n j" ej" sjpsop" bvupn bujdi- " of rñ" dbtp" opo" qsf w" ebop" tjt uf n j" ej g" sn p" b" gof " dpstb/

P hoj" qpsub" ef w" " bwf sf " vo" bohprñ" ej" baf suw" b" rñ" f op" qbsj" b" : 1÷/

Mb" rñ" shi f eub" ef rñ" qbt bhjw" vjw" epwsw" f ttf sf " n jtvsub" usw" jrtqbt ouf " baf sup" b" : 1÷" f " jrtqbt rñ" wjw" ef rñ" qpsub- n bojhjw" opo" dpn qf tb- " f " tbsw" opsn bñ" f ouf " qbsj" b;

- 1-94" n " qf s" vob" qpsub" eb" 1- : 1" n <
- 1-88" n " qf s" vob" qpsub" eb" 1-91" n /

Dpn vor vf " epwsoop" f ttf sf " qpt uf " jo" pqf sb" qpsf " ra" dvjw" rñ" shi f eub" ef rñ" t" johprñ" boub" opo" tjb" tvqf sjpsf " b 231" dn -" f " rñ" w" oubrjw" usj" tjbop" dprñ" wjw" b" vo" brñ" eub" ej" bñ" f op" 51" dn " eb rñ" jwob" ef rñ" wjw" n f oup/

M" n bojhjw" ef rñ" qpsf " epwsoop" f ttf sf " ddrjw" f ouf " jn qvhubuf " jo" qptjepojw" jo" qf ej" f " tf evup- " qf s" dvjw" ra

mpsp"brf €€b"epwš"fttf sf "dnp qsf tb"usb"96"f ": 6"dn -"r vf n"dpotjhrj"b"à"ej": 1"dn /  
Mf tuf n j"u"ef n"n bojhri "ef n"nqpsf "epwš"fttf sf "tjwbub"b"pnsf "1-51"n "eb"vo"bohpr"sjf ousbouf "p"eb"vo  
brsp" ptbdpr" b"n"vob"bn foup" ej" vob" tf ejb" b" spf n"n" Tpop" eb" qsf g sjsf " n bojhri " ef r"u"qap" b" rfwb  
pqapsuobn f ouf "bsspuobuf /  
Mf tuf otjpoj "ef n"n bojhri "tbs"vob"tpr"epof "sf b"€bcjri"n b"cjtphof s"u"dpn vor vf "wf sjgdbf "di f "r"t"pšep  
b"qf suv"tjb"jog sjsf "b"61"O"of r"qvo"ej"qsf tb"ef n"n bojhri "jo"qsf tf o"b"p"n f op"ej"vo"ejtqptjw"dp  
di jvtv"bvupn b"jdb/

### Infissi esterni

Epwšboop"fttf sf "jotub"uf "gof tuf "di f "hbsbouj"dbop"vob"cvpob"vjtcjri"tjb"b"di j"à"dptuf up"jo"qptj"epof  
tesbjb"tjb"b"di j"jo"dbss"€€ n"pttf swb"n"cn jf ouf "f tuf sop"eb"vob"qptj"epof "qjò"cbttb/  
Mb" tphri" usb"cb"pof "f" bn c"j"ouf "jof sop"opo" ef wf "bwf sf "vo"ejt"r"n" lbrn" eb" dptujwjsf "ptbdpr"bm  
qbtbhhj"ej"vob"qf stpob"t"v"tf ejb"b"svpf /  
Opo"tbs"qpttj"ri"jotub"uf "qpsf .gof tuf "dpo"usbw"stb"psj"€poubrn"b"qbwjn foup"bwf ouf "vo"brf €€b"lbrn"eb  
jn qf ejf "j"r"usbotj"ep"vob"tf ejb"b"svpf /  
K"tf ssn f ouj"dp"bouf "b"t"dpssj foup"psj"€poubrn"epwšboop"fttf sf "gdjri f ouf "n bopwš"uf"eb"l"uf "r"n"qf stpof  
b"dpoej"epof "di f "j"r"n"pvjn foup"opo" sdi jf eb"vob"pšep"tvqf sjsf "be"9" Lh" f "r"n" bojhri "tjb"tjwbub"be  
vo(brf €€b"bef hvbub"brn"qf stpof "jo"dbss"€€j)ob/  
Hij"jogt"j"bwf ouj"bouf "b"cjri"p"vbtjt"ub"epwšboop"fttf sf "gdjri f ouf "n bopwš"uf"eb"l"uf "r"n"qf stpof "qvšdì è  
opo" tjb" of dfttbsj" vo" n pvjn foup" vjprfoup"opo" tjb" qsf vjt"ub" vo"jodri"epof "f ddf ttjwb" f "r"n"wf oubrn  
n f ddbojt n p"b"r"fwb"tjb"b"epobc"ri"eb"bef hvbub"brf €€b/  
Mbrf €€b"ef n"n bojhri "p"ejtqptjw"ej"dpn boep-"epwš"fttf sf "dnp qsf tb"usb"dn /"211"f "241")tj"dpotjhrj"bop  
226"dn \*/  
Mb" n bojhri "epwš"fttf sf "b" rfwb<"jo" f t"jhf o"b"ej" n bhjpsf "pšep"tj" dpotjhrj" vob"n bojhri "b" rfwb" dpo  
n pvjn foup"wf sjdbri/  
Tj"epwšboop"qsf ejtqpsf "ef j"dpn boej"b"ejt"bo"b"qf s"wf oubrj"gof tuf "qjò"brf "p"ef j"tj"uf n j"ej"bqf suv  
bvupn b"jdb/

## Art. 4.12 PRODOTTI PER RIVESTIMENTI INTERNI ED ESTERNI

2". "Tj"ef gojt"dpop"qšepuj"qf s"sjwf tujn f ouj"r vf n"l"v"j"€€b"qf s"sf b"€€b" "j"tj"uf n j"ej"sjwf tujn foup"wf sjdbri  
)qbsf u". "gdjri" \*f e"psj"€poubrn"dpouspt"ggj" \*ef n"n"ejgdj/"K"qšepuj"tj"ejt"johvpop;  
b"tf dpoeb"ef n"mpsp"t"ub"gtjdp;  
. sjhjej"sjwf tujn f ouj"jo"qj"usb". "df sbn jdb". "wf usp". "brn"jojp". "hf ttp". "f dd/\*<  
. gfttjcjri"dbuf "eb"qbsuj". "l"ttvuj"eb"qbsuj". "f dd/\*<  
. gvjejp"p"qbtuptj"joupobdj". "wf sojdbouj". "sjwf tujn f ouj"q"rt"ujdj". "f dd/\*<  
b"tf dpoeb"ef n"mpsp"dpn"db"epof ;  
. qf s"ftuf sop<  
. qf s"jof sop<  
b"tf dpoeb"ef n"mpsp"dpn"db"epof "of r"tj"uf n b"ej"sjwf tujn foup;  
. "ej"goep<  
. jof sn f ej<  
. ej"gojwšb/  
Uvuj"j" qšepuj" ef tdsuj" of j" qvuj" di f "tf hvpop" wf ohpop" dpotjef sbuj" brn pn foup" ef n"n" pšojwšb/" Mb  
Ejsf "epof "ef j"mwpsj-"bj"goj"ef n"n"mpsp"bdf ub"epof -"qvì "qšp"ef sf "bj"dpousprj"bodi f "qbs"ejbrj"t"v"dbn qjpoj  
ef n"n"pšojwšb-"pqqvsf"sjdi jf ef sf "vo"bwf t"ub"ej"dpogsn j"u"ef n"n"t"uf t"b"brn"qsf tdsj"epoj"ej"tf hvjup"joejdbuf "f  
jo"hf of sf "dnp f "eb"opn b"VOK'9123/

3". "Qšepuj"sjhjej

K"vjb"psj"oub"ub"wbri"pop"r"n"qsf tdsj"epoj"ef n"n"opn b"VOK'22528")wšj"qbsuj\*/

b\* Qf s"r"n"qjbt"uf n"n"ej"df sbn jdb"wbri"r vboup"qsf tdsjup"eb"n"n"opn b"VOK'FO'21656" wšj"qbsuj" f "r vboup  
sjqpsub"of n"n"sjdpr"Qšepuj"qf s"Qbwjn foub"epof %"uf of oep"dpoup"t"pr"ef n"n"qsf tdsj"epoj"wbri"ef "qf s"r"n  
qjbt"uf n"n"eb"qbsf uf /

c\* Qf s"r"n"rt"uf "ej"qj"usb"wbri"r vboup"sjqpsub"of r"qšphf up"dsj"b"r"n"dbuf sjt"jdi f "qjò"tj"hojgdbujw" f "r  
r"vps"epoj"eb"bqapsuf /"Ko"n bodbo"b"p"be"jof hsb"epof "ef r"qšphf up"wbri"pop"j"dsj"sj"ej"bdf ub"epof  
hf of sbrj"joejdbuj"of n"n"sjdpr"sf r"ujw"bj"qšepuj"ej"qj"usb"jof hsbuj"eb"n"n"qsf tdsj"epoj"ebuf "of n"n"sjdpr  
Qšepuj" qf s" Qbwjn foub"epoj%"jo" qbsj"dp"sf "qf s" r"n" up"n"so"ef "ejn f otj"pobrj" f "r"n" n pebrj"uj" ej

jn cbmhhjhp\*/Tpop"dpn vor vf "eb"qsf wf ef sf "hrijlppqpsuwoj"jodbvj-"gpsi-"f dd/"qf s"jrtgtt bhjhp"bmn"qbsf uf "f hrijf wf owbrjlsbubn f ouj"ej"qspuf Ejpof /

d\* Qf s"hrjlf rfn f ouj"ej"n f ubmp"p"n buf sjb"qrat ydb"vbrnpop"rnf"qsf tdsjEjpoj"ef rttqspfh up/"M "rpsp"qsf t ubEjpoj n f ddbojdi f " )sf tjt uf oEb"bmn"vsup-"bcsbtjpoj"-"jodjtjpoj" \* "ej"sf bEjpoj" "f"sf tjt uf oEb"brtygpdp-"ej"sf tjt uf oEb bhrijl bhf ouj"di jn jdi" )ef uf shf ouj-"jor vjobouj" bhhsf ttjvj-"f dd/\*"f e"bmn"bEjpoj"uf sn pjhsn f usjd f "tbsboop r vf rnf"qsf tdsjuf "jo"opsn f "VOK"jo"sf rEjpoj "bmn"on cjf ouf" )jouf sopOf tuf sop\*"of rtr vbfrn"tbsboop"dpmpdbuj f e"bmn"rpsp"r vpub"ebrtqbwn f oup" )p"tvprp\*"pqqvsv"jo"rpsp"n bodboEb"vbrnpop"r vf rnf"ejdi jbsbvf "ebm gpcscjdbouf "f e"bddf ubuf "ebmn"Ejsf Ejpof "ef j" Mbvpsj/"Tbsboop"joprusf "qsf ejt qpt y"qf s"jrtgtt bhjhp"jo"pqf sb dpo"pqapsuwoj"gpsi-"jodbvj-"f dd/

Qf s"hrjlf rfn f ouj"wf sojdjby-"tn brtby-"f dd/"rnf"dbsbvf sjt ydi f "ej"sf tjt uf oEb"bmn"vt vsb-"bj"wsbhj"ej"dprrsf - f dd/"tbsboop"sgf sjf "bj"n buf sbrj"ej"sjw t yjn f oup/

Mb" gsn b" f " dpt yujEjpoj" ef rnf rfn f oup" tbsboop" ubrij eb" sjevsvf " brhn jojn p" g opn f oj" ej" wjcsbEjpoj - qspevEjpoj"ej"svn psf "uf ovup"bodi f "dpou"ef j"dsjv s"ej"gtt bhjhp/

e\* Qf s"rnf"rtt usf "ej"dbspohf tt p"tj"sjovjb"bmn"bsjdprp"tv"Qspepuj"qf s"Qbsf y"ft uf sof "f "QbsjEjpoj"Kouf sof %

f \* Qf s" rnf"rtt usf "ej" gcspdf n f oup"tj"sjn boeb"bmn"qsf tdsjEjpoj"ebuf "of nbsjdprp"Qspepuj"qf s" Dpqf svsvf Ejt dpo yovf %

g\* Qf s"rnf"rtt usf "ej"dbrdf tusvEep"vbrnpop"rnf"qsf tdsjEjpoj"hf of sbrj"ebuf "of nbsjdprp"tv"qspepuj"ej"dbrdf tusvEep dpo"jo"bhjvoub"rnf"dbsbvf sjt ydi f "ej"sf tjt uf oEb"bhrijl bhf ouj"bun pt g sjdj" )hf rpejt hf rps\*"f e"bhrijl rfn f ouj bhhsf ttjvj"usbtpsuby"ebmndr vb"qjpwob" f "ebm"tsjb/

Qf s"hrjlf rfn f ouj"qjddprj"n f ej" gop"b"2-3"n "dpn f "ejn f otjpoj"n bttjn b"tj"ef ccpop"sf brjEbsf "pqapsuwoj qvouj"ej"gtt bhjhp" f e"bhdbodjp/

4". Qspepuj"grttjcjij

b\* M" dbsuf "eb"qbsuj"ef wpop"sjt qf ubsf "rnf"uprnbsboef "ejn f otjpojbrj"ef r2-6& "tvnbn"rashi f Eeb" f "mohi f Eeb< hbsbouj"sf tjt uf oEb"n f ddbojdb" f e" bmn" rtdf sbEjpoj" )bodi f "of rnf" dpoEjEjpoj" vn jef " ej" bqqrjalbEjpoj" \* < bwf sf " ef gsn bEjpoj" ejn f otjpojbrj" be" vn jep" rjn jubuf < sf tjt uf sf " bmn" vbsjEjpoj" ej" dbrpsf " f -" r vboep sdi jf t up-"bwf sf "sf tjt uf oEb"bj"rwbhjhj" f "sf bEjpoj"p"sf tjt uf oEb"brtygpdp"bef hvbvf /

M" dpog Ejpoj"ef wpop"sjqpsubf "j"tf hoj"ej"sgf sjn f oup"qf s"rnf"tpvbsqaptjEjpoj-"brjof bn f ouj" )p"t gortbusb\* ef j"ejt f hoj-"f dd/< jowf stjpoj"ef j"t johprj"l rj" f dd/

c\* K'uf ttjij"qf s"qbsf y"ef wpop"sjt qpoef sf "bmn"qsf tdsjEjpoj" f rfnoduf "of rtdpn n b"b\*"dpo"bef hvbup"rjw rmp"ej sf tjt uf oEb" f "qptt ef sf "rnf"of dt tbsj" dbsbvf sjt ydi f "ej" f rnt ydjw" f dd/"qf s"rnf"qpt b"b"uf otjpoj /

Qf s" f ousbn cf "rnf"dbuf hpsj" )dsub" f "uf ttjij" rnt"sjt qpoef oEb"bmn"opsn f "VOK"FO"344-"VOK"FO"345-"VOK"FO 377-"VOK"FO"36: .2" f "VOK"FO"36: .3"à"dpotjef sbub"sjt qpoef oEb"bmn"qsf tdsjEjpoj"ef rttqsf tf ouf "bsjdprp/

5". Qspepuj"grviej"p"jo"qbtub/

b\* Koupobdj;" hrj" joupobdj" tpop" sjw t yjn f ouj" sf brjEebuj" dpo" n brnb" qf s" joupobdj" dpt yujjub" eb" vo" rnhbouf )dbrdf .df n f oup.hf tt p\*"eb"vo"jof suf" )tbccjb-"qprwv sf "p"hsbovrj"ej"n bsn p-"f dd/\*"f e"wf owbrn f ouf "eb qjhn f ouj"p"uf ssv"dprrsbouj-"beejuvj" f "sjogpsEbouj/

Hrij"joupobdj"ef wpop"qptt ef sf "rnf"dbsbvf sjt ydi f "joejdbuf "of rttqspfh up" f "rnf"dbsbvf sjt ydi f "tf hvf ouj;

- . dbqbdjw"ej"sjf n qjn f oup"ef rnf"dbvjw" f e" f hvbhjbn f oup"ef rnf"tvqf sgdj <
- . sf bEjpoj" brtygpdp" f Qp"sf tjt uf oEb"bmn"odf oejp"bef hvbub<
- . jn qf sn f bcjrw"bmn"odr vb" f Qp"gyoEjpoj"ej"cbssj"sb"bmn"odr vb<
- . f gf up" f tuf ydp"tvqf sgdjbrn"jo"sf rEjpoj"bj"n f Eej"ej"qpt b"vtbuj<
- . bef tjpoj"brtvtqpsup" f "dbsbvf sjt ydi f "n f ddbojdi f /

Qf s"j"qspepuj"gpsojy"qsf n jt df rby"rnt"sjt qpoef oEb"b"opsn f "VOK"à"tjopojn p"ej"dpogsn jw"bmn"qsf tdsjEjpoj qsf ef uf < qf s"hrj"brsj"qspepuj"vbrnpop"j"vbrpsj"ejdi jbsbuj"ebrtqsojpsf "f e"bddf ubuj"ebmn"Ejsf Ejpof "ef j Mbvpsj/

c\* Qspepuj" wf sojdjby;" j" qspepuj" wf sojdjby" tpop" qspepuj" bqqrjalbuj" bmn" tubup" grviej-" dpt yujjub" eb" vo rnhbouf" )obusbrn"p"tjouf ydp\*"eb"vob"dbsjdb" f "eb"vo"qjhn f oup"p"uf ssv"dprrsbouf "di f "-"qbtboep"bmn tubup"tprjep-"gpn bop"vob"qf rjapra"p"vop"tusbup"opo"qf rjaprasf "tvnbn"tvqf sgdj /

Tj"ejt yohvpop"jo;

- . yof -"tf "opo"gsn bop"qf rjapra" f "tj"ef qptjubop"tvnbn"tvqf sgdj <
- . jn qsf hobouj-"tf "opo"gsn bop"qf rjapra" f "qf of usbop"of rnf"qpsptjw"ef rttvtqpsup<
- . qjuwsv -"tf "gsn bop"qf rjapra" f e"i boop"vo"dprrsf "qspqsjp<
- . wf sojdj-"tf "gsn bop"qf rjapra" f "opo"i boop"vo"n bsbub"dprrsf "qspqsjp<
- . sjw t yjn f ouj"qrat ydj-"tf "gsn bop"qf rjapra"ej"tqf tt psf "f rfwbup"p"n prap" f rfwbup" )eb"2"b"6"n n "djsdb\* i boop"dprrsf "qspqsjp" f "ejt f hop"tvqf sgdjbrn"qjò"p"n f op"bddf owbup/

K'qspepuj"wf sojdjby"ef wpop"qptt ef sf "vbrpsj"bef hvbuj"ef rnf"tf hvf ouj"dbsbvf sjt ydi f "jo"gyoEjpoj"ef rnf qsf tubEjpoj"rpsp"sjdi jf tuf ;

- . ebsf "dprrsf "jo"n bojf sb"t ubcjrnf"bmn"tvqf sgdj "usbubub<

- . f ttf sf "usb tqsbouj"brwvqpsf "e(bdr vb<
- . bwf sf "gocjpf "jn qf sn f bcjjebouf <
- . jn qf ejsf "jrtqbt bhhjp"ef j"sbhhj"V/W<
- . sjevssf "jrtqbt bhhjp"ef nta"DP 3<
- . bwf sf "bef hvbub"sf bcejpf "f Qp"sf tjtuf oeb"brtyvdp")r vboep"sdi jf t up\*<
- . bwf sf "gocjpf "qbt tjv bouf "ef rtf ssp")r vboep"sdi jf t up\*<
- . sf tjtuf oeb"brfn"bcejpoj"di jn jdi f "ef hjt bhf ouj"bhhsf ttjvj")drjm buj dj-"jor vjobouj\*<
- . sf tjtuf sf ")r vboep"sdi jf t up\*"brwvtsb/

Cbssjf sb"qspuf ujbv"bouhsbggy"qf s'tvqf sgdj" f tuf sof

Fn vrtjpf "bdr vpt b"ej"df sf "qprjm f sdi f -"tqf djgdb"qf s'qspuf hhf sf "jo"n pep"sf wf stjcrfn"rntvqf sgdj"b"vjtub ebj"hsbggy/

Dpogpsn f "brfn"vbrubcejpoj"ef nta"opns b"VOK22357-"ta"cbssjf sb"epwsu'dprn bsf "j"qpsj"ef nta"tvqf sgdjf tf oeb"jn qf ejsf "ta"usb tqsbouj"dsf boep"vob"cbssjf sb"sf qf nfnouf "bhrtjprj"bntodr vb"di f "jn qf ejt df "bj hsbggj"ej"qf of usbsf "jo"qspgoejju"of rttvqpsp/

K' rjm juj" ej" bddf ubcejpf "tbsboop" r vf rjtl qsf tdsjuj" of rthqsf up" pe" jo" n bodboeb" r vf rjtl ejdi jbsuj" ebn gpcscjdbouf "f e"bddf ubj"ebnta"Ejsf cepof "ef j"mwpvj/ K'ebuj"tj"jouf oepop"qsf tf oubj"tf dpoep"rntopns f "VOK9868" f "VOK986: "f e"j"n f upej"ej"qspwb"tpop"r vf rjtl ef gojuj"of rntopns f "VOK/

Uvuj"j"qspewuj" f Qp"n buf sbrjtl"ej"dvj"brtqsf tf of "bsjdrp-"r vbrpsb"qpttbop" f ttf sf "epubj"ej"n bsdwub"DF tf dpoep"rntopns bujbv"uf dojdb"vjhf ouf -"epwsboop" f ttf sf "n vojuj"ej"ubrnt"n bsdj jp/

**Art. 4.13  
PRODOTTI PER ISOLAMENTO TERMICO**

2" . "Tj" ef gojtdpop" n buf sbrjtl jt prbouj" uf sn jdi" r vf rjtl buj" b" ejn jovjsf "jo" gpsn b"tf otjcrfn"jrtgvttp" uf sn jdp busbwf stp" rntvqf sgdj" tvrnt" r vbrjtl tpop" bqqrjbu" )wf ej" drttjgdbcejpf "tf hvf ouf \*/" Qf s" rta" sf brtcejpf ef nrtprbn f oup"uf sn jdp"tj"sjovjb"bhrtjbsjdrjtsf rbuuj"brnt"qbsuj"ef nrtnejgdj"p"jn qjbuuj/

K'n buf sbrjtlwf ohpop"ej"tf hvjup"dpotjef sbuj"brnt pn f oup"ef nta"gpsojwsb-<ta"Ejsf cepof "ef j"mwpvj-"bj"goj"ef nta rpsp"bddf ubcejpf -"qvi "qspdf ef sf "bj"dpousprjtl)bodi f "qbscejbrj"tv"dbn qjpoj"ef nta"gpsojwsb"pqqvsv"di jf ef sf "vo buf t ubup"ej"dpogpsn juj"ef nta"gpsojwsb"brnt"qsf tdsjcejpoj"ej"tf hvjup"joejdbuf /"Of rtdbt p"ej"dpouf t ubcejpf "qf s"rnt dbsbuf sjt jdi f "tj"jouf oef "di f "rta"qspdf evsb"ej"qsf rjtl vp"ef j"dbn qjpoj-"ef nrt"qspw" f "ef nta"vbrubcejpf "ef j sjt vrbuj"tjb"r vf nta"joejdbuf"of nrt"opns f "VOKFO"3: 576-"VOKFO"35: 77-"VOKFO"935" f "VOKFO"3: 579" f e"jo"rpsp n bodboeb"r vf rjtl ef nta"rntuf sbwub"uf dojdb")jo"qsn p"mphp"rntopns f "jouf sobcejpobrtj" e" f tuf sf \*/

K'n buf sbrjtljt prbouj"tj"drttjgdbop"dpn f "tf hvf ;

B\*N BUFSKBM'GBCCSKDBUK'KO'TUBCKMN FOUP ;")cnpddi j-"qboof rjtl"tat usf -"g rnsj" f dd/\*/

2\* N buf sbrjtl"df nrtbsj

- . dpn qptcejpf "di jn jdb"pshbojdb;"qrat ujdj"brwv prbsj<
- . dpn qptcejpf "di jn jdb"jopshbojdb;"wv usp"df nrtbsf -"dbrdf t usvcep"brwv prbsf "bv updrbwup<
- . dpn qptcejpf "di jn jdb"n jt ub;"qrat ujdj"df nrtbsj"dpn"qf sfn"ej"wf usp" f tqbotp/

3\* N buf sbrjtl"jcsptj

- . dpn qptcejpf "di jn jdb"pshbojdb;"gcsf "ej"rthop<
- . dpn qptcejpf "di jn jdb"jopshbojdb;"gcsf "n jof sbrjtl

4\* N buf sbrjtl"dpn qbuuj

- . dpn qptcejpf "di jn jdb"pshbojdb;"qrat ujdj"dpn qbuuj<
- . dpn qptcejpf "di jn jdb"jopshbojdb;"dbrdf t usvcep<
- . dpn qptcejpf "di jn jdb"n jt ub;"bhhrpn f sbuj"ej"rthop/

5\* Dpn cjobcejpf "ej"n buf sbrjtl"ej"vjf st b"t usvuwsv

- . dpn qptcejpf "di jn jdb"jopshbojdb;"dpn qptuj"qgcsf "n jof sbrjtl"qf srtj %"dbrdf t usvcep"rnt hhf sj<
- . dpn qptcejpf "di jn jdb"n jt ub;"dpn qptuj"qf srtj .gcsf "ej"df nrtprb-"dbrdf t usvcep"ej"qf sfn"ej"qprjtl usf of /

6\*N buf sbrjtl"n vrtj usup

- . dpn qptcejpf "di jn jdb"pshbojdb;"qrat ujdj"brwv prbsj"dpn"qbsbn f usj"pshbojdb<
- . dpn qptcejpf "di jn jdb" jopshbojdb;" bshjrn" f tqbotf "dpn" qbsbn f usj" ej" dbrdf t usvcep-" rnt usf " ej" hf ttp bttdpjbub "b"t usubup"ej" gcsf "n jof sbrjtl<
- . dpn qptcejpf "di jn jdb"n jt ub;"qrat ujdj"brwv prbsj"sjwf t uuj"ej" dbrdf t usvcep/

Mb"rnt hhf "3680: 3"vjf ub"rnt usvcep"ej"qspewuj"dpouf of ouj"bn jbouj"r vbrjtl"tat usf "qjbof "pe"poevrtub -"wcbcejpoj" f

canalizzazioni.

B) MATERIALI INIETTATI, STAMPATI O APPLICATI IN SITO MEDIANTE SPRUZZATURA.

- 1) Materiali cellulari applicati sotto forma di liquido o di pasta
  - composizione chimica organica: schiume poliuretatiche, schiume di ureaformaldeide;
  - composizione chimica inorganica: calcestruzzo cellulare.
- 2) Materiali fibrosi applicati sotto forma di liquido o di pasta
  - composizione chimica inorganica: fibre minerali proiettate in opera.
- 3) Materiali pieni applicati sotto forma di liquido o di pasta
  - composizione chimica organica: plastici compatti;
  - composizione chimica inorganica: calcestruzzo;
  - composizione chimica mista: asfalto.
- 4) Combinazione di materiali di diversa struttura
  - composizione chimica inorganica: calcestruzzo di aggregati leggeri;
  - composizione chimica mista: calcestruzzo con inclusione di perle di polistirene espanso.
- 5) Materiali alla rinfusa
  - composizione chimica organica: perle di polistirene espanso;
  - composizione chimica inorganica: lana minerale in fiocchi, perlite;
  - composizione chimica mista: perlite bitumata.

2 - Per tutti i materiali isolanti forniti sotto forma di lastre, blocchi o forme geometriche predeterminate, si devono dichiarare le seguenti caratteristiche fondamentali:

- a) dimensioni: lunghezza - larghezza, valgono le tolleranze stabilite nelle norme UNI, oppure specificate negli altri documenti progettuali; in assenza delle prime due valgono quelle dichiarate dal produttore nella sua documentazione tecnica ed accettate dalla Direzione dei Lavori;
- b) spessore: valgono le tolleranze stabilite nelle norme UNI, oppure specificate negli altri documenti progettuali; in assenza delle prime due valgono quelle dichiarate dal produttore nella sua documentazione tecnica ed accettate dalla Direzione dei Lavori;
- c) massa areica: deve essere entro i limiti prescritti nella norma UNI o negli altri documenti progettuali; in assenza delle prime due valgono quelli dichiarati dal produttore nella sua documentazione tecnica ed accettate dalla Direzione dei Lavori;
- d) resistenza termica specifica: deve essere entro i limiti previsti da documenti progettuali (calcolo in base alle relative norme vigenti) ed espressi secondo i criteri indicati nelle norme [UNI EN 12831-1](#) e [UNI 10351](#);
- e) saranno inoltre da dichiarare, in relazione alle prescrizioni di progetto le seguenti caratteristiche:
  - reazione o comportamento al fuoco;
  - limiti di emissione di sostanze nocive per la salute;
  - compatibilità chimico-fisica con altri materiali.

3 - Per i materiali isolanti che assumono la forma definitiva in opera devono essere dichiarate le stesse caratteristiche riferite ad un campione significativo di quanto realizzato in opera. La Direzione dei Lavori può inoltre attivare controlli della costanza delle caratteristiche del prodotto in opera, ricorrendo ove necessario a carotaggi, sezionamento, ecc. significativi dello strato eseguito.

4 - Entrambe le categorie di materiali isolanti devono rispondere ad una o più delle caratteristiche di idoneità all'impiego, tra quelle della seguente tabella, in relazione alla loro destinazione d'uso: pareti, parete controterra, copertura a falda, copertura piana, controsoffittatura su porticati, pavimenti, ecc.

CARATTERISTICA	UNITA' DI MISURA	DESTINAZIONE D'USO A B C D VALORI RICHIESTI
<b>Comportamento all'acqua</b> Assorbimento all'acqua per capillarità Assorbimento d'acqua per immersione Resistenza al gelo e al disgelo Permeabilità al vapore d'acqua	% % cicli □	
<b>Caratteristiche meccaniche</b> Resistenza a compressione a carichi di lunga durata Resistenza a taglio parallelo alle facce	N/mm <sup>2</sup> N	

<p>Sf tjt uf oE b"b"grtt jpf  Sf tjt uf oE b"br"voE pobn f oup  Sf tjt uf oE b"br"tpt uqbn f oup</p> <p><b>Caratteristiche di stabilità</b></p> <p>Tubc jru"ejn f otj pobrñ  Dpf ggdj f ouf "ej"ejnbubE jpf "h"of bsf  Uf n qf sbuvsb"jm juf "ej"tf f sjeEjp</p>	<p>o o o &amp;</p> <p>&amp; n n On ±D</p>	
<p>B"&gt; C"&gt; D"&gt; E"&gt;</p>		

Tf "opo"wf ohpop"qsf tdsjuj"wbpsj"qf s"br"vof "dbsbuf sjt udi f "tj"jouf oef "di f "rb"Ejsf E jpf "ef j" Mbwpj"bddf ub  
r vf nji"qspqpt u"ej"br"tsojupsf ;"j"n f upej"ej"dpouspmp"t pop"r vf nji"ef goju"of nñ"opsn f "VOK"Qf s"rñ"dbsbuf sjt udi f  
qpttf evuf "jousjotf dbn f ouf "ebrñ"buf sbrñ"opo"t pop"of df ttbsj"dpousprij

Uvuj"j"qspepuj" f Op"n buf sbrñ"ej" dvj"br"qsf tf ouf "bsjcdpmp"r vbpsb"qpttbop"fttf sf "epubj"ej"n bsdbuvsb"DF  
tf dpoe"rb"opsn bujvb"uf dojdb"vjhf ouf "-epvsboop"fttf sf "n vojuy"ej"brñ"n bsdi jp/



**Art. 4.13.1**  
**MATERIALI ISOLANTI NATURALI**

**4.13.1.1 Argilla espansa**

Qf s"bshjmb" f t qbot b" t (jouf oef "jrt" qspepup" dpoqsn f "bmb" Opsn b" VOKFO"25174.2/  
M" bshjmb" f t r" e j p o b u f " i b o o p " j o " h f o f s f " j r t " d r p " q s p e v u j w p " e f t d s j u p " e j " t f h v j u p /  
T p o p " f t u s b u f " e b " d b w f " f " h j b d j n f o u j - " w f o h p o p " g u f " t u b h j p o b s f " q f s " n f t j - " t v d d f t t j v b n f o u f " " u s b t q p s u b u f " j o  
t u b c j j m f o u p " f " n b d j o b u f - " n f t d p r u f " f " s f t f " h s b o v r b s j / " K " h s b o v r j e j " b s h j m b " w f o h p o p " s j t d b r e b y " j o " g p s o j " b e " b r f  
u f n q f s b u s f - " j o " d v j " ( b s h j m b " w f o f " q s j n b " f t t j d d b u b " f " q p j " s j t d b r e b u b " g o " r v b t j " b m b " g t j p o f - " q v o u p " j o " d v j " j o j e j b " j m  
q s p d f t t p " e j " f t q b o t j p o f / " M f t q b o t j p o f " à " e p w u b " b m b " d p n c v t u j p o f " e f m f " t p t u b o e f " p s h b o j d i f " w p r u j r j " q s f t f o u j  
o f m ( b s h j m b ) / " K " h s b o v r j f t q b o t j " w f o h p o p " q p j " s b g s f e e b u j " q f s " w f o u j r e j p o f / " K " t q f t p " t q f d j g d p " e f m ( b s h j m b " f t q b o t b " à  
d p n q s f t p " u s b " j " 4 6 1 " f e " j " 6 4 1 " l h 0 n " 4 " b " t f d p o e b " e f m b " h s b o v r p n f u s j b /

K' h s b o v r j t g y t j " e j " b s h j m b " f t q b o t b " e f w p o p " b w f s f " v o b " c v p o b " j o f s e j b " u f s n j d b " f " s f t j t u f o e b " b m b " d p n q s f t t j p o f /  
F t t f o e p " e j " p s j h j o f " n j o f s b r f - " e f w p o p " f t t f s f " j o d p n c v t u j c j r j " f " s f g s b u s j - " d i j n j d b n f o u f " j o f s u j " f " t u b c j j r j " o f m  
u f n q p - " j n n b s d f t d j c j r j " f " s f t j t u f o u j " b m f v n j e j u j / " K " t j o h p r p " h s b o v r p " à " j n q f s n f b c j r f " b m b " d r v b " f " b r h w b q p s f - " n b " j m  
n b u f s j b r f " b q a r j a b u p " à " b m b n f o u f " u s b t q j s b o u f /  
M ( b s h j m b " f t q b o t b " q v i " f t t f s f " b a q a r j a b u b " j o " h s b o v r j t g y t j " j o " j o u f s d b a f e j o j " e j " q b s f u j - " d p q f s u s f - " t p u p p o e j " e j  
q b w j n f o u j - " t p u p u f u j " o p o " q s b u j d b c j r j " f " d b o o f " g n b s j f / " Q v i " f t t f s f " b h h j v o u b " d p n f " j o f s u f " o f m b " s f b r e e j p o f " e j  
j o u p o b d j " s f t j t u f o u j " b r h g y p d p " f " b h h r p n f s b u j " b r n h h f s j u " u f s n p g o p j t p r b o u j " q f s " t p r b j " j o u f s a j b o p - " d p o u p u f s s b -  
t p u p u f u j " q s b u j d b c j r j " d p q f s u s f " q j b o f " f " b " g r e b " j o d r j o b u b / " K " h s b o v r j q p t t p o p " f t t f s f " v u j r e e b u j " b o d i f " d p n f " j o f s u j  
q f s " m b " s f b r e e j p o f " e j " c r p d d i j " j o " d b r f t u s v e e p " b r n h h f s j u p " f " q f s " s f b r e e b s f " t u s u j " e s f o b o u j " p " q s p u f u j w j " o f j  
h j b s e j o j /  
M ( b s h j m b " h s b o v r b s f " t g y t b " à " s j v u j r e e b c j r f " d p n f " j o f s u f " p " q v i " f t t f s f " t n b r u j b " j o " e j t d b s j d i f " t q f d j g d i f " q f s " n b u f s j b r j  
e b " d p t u s v e j p o f /

**4.13.1.2 Canna palustre**

M b " d b o o b " q b m t u s f " q s p w j f o f " e b m b " d p n j h r b " e f m f " h s b n j o b d f f " f e " à " n p r u p " e j g y t b " f " o b t d f " t q p o b o f b n f o u f " o f m f  
e p o f " q b m e p t f - " m o h p " r f " s j w f " e j " g v n j f " d b o b j f " b j " n b s h j o j " e f j " r b h i j / " " r v j o e j " v o " n b u f s j b r f " d i f " t j " s j h f o f s b " p h o j  
b o o p /

Q f s " r v u j r e e p " j o " f e j r e b " e f w p o p " f t t f s f " s b d d p r f " h j u " t f d d i f " f " q p j " r n h b u f " j o t j f n f " n f e j b o u f " g r p " e j " f s s p " e j o d b u p " p  
g r p " e j " o z p o < " j o " u r h n p e p " r f " d b w j u j " j o u f s o f " s j n b o h p o p " j o u f h s f " f " d p o u f o h p o p " b s j b " g s n b - " p u j n b " q f s  
r t p r t n f o u p " u f s n j d p / " M h b o e p " j o t j f n f " r f " d b o o f " v o b " b " v o b " w f o h p o p " q s p e p u f " t w p j f " q p s b j o u p o b d p /

K' m b u f s j b r f " j o " r v f t u j p o f " t j " q s f t f o u b " r v j o e j " t p u p " g s n b " e j " q b o o f m j e j " w b s j p " t q f t t p s f " f " q v i " f t t f s f " v u j r e e b u p  
d p n f " d b q q p u p " j o u f s o p " p " f t u f s o p " b m f e j g d j p - " d p n f " d p o u s p t p g j u p " p " b o d i f " b m f o u f s o p " e j " q b s f u j " e j w j t p s j f " j o u f s o f -  
t p r b j " f " d p q f s u s f " e j " t u s v u s f " j o " r n h o p / " M " d b o o b " q b m t u s f " o p o " u f n f " r v n j e j u j " f e i " b " v o " c v p o " d p n q p s u b n f o u p  
u f s n j d p " f e " b d v t u j d p - " à " u s b t q j s b o u f " f " s f t j t u f o u f " b m b " u b d d p " e j " n v g f " f " s p e j u p s j / " O p o " d p o u f o f " f " o p o " f n f u f  
t p t u b o e f " o p d j w f " j o " o f t t v o b " g t f " e f r t d j r p " e j " v j u b /

K' q b o o f m j " t f " j o u f h s j - " q p t t p o p " f t t f s f " s j v u j r e e b u j / " B r u j n f o u j - " f r j m j o b u p " j r t g r p " e j " g s s p - " q p t t p o p " f t t f s f " j o d f o f s j j  
p " d p n q p t u b u j / " T f " j o u p o b d b u j " e f w p o p " f t t f s f " t n b r u j b " j o " e j t d b s j d i f " q f s " j o f s u j /

**4.13.1.3 Fibra di canapa**

M b " g c s b " e j " d b o b q b " e f s j w b " e b m b " d b o b q b " e b " g c s b " u f t t j r f / " K " q b o o f m j j t p r b o u j " d p n v o f n f o u f " v u j r e e b u j " j o " f e j r e j b  
w f o h p o p " q s p e p u j " u s b u b o e p " r a " g c s b " e j " d b o b q b " d p o " t p e b " p " t b r j l e j " c p s p - " q f s " n j h r j p s b o s o f " j r t d p n q p s u b n f o u p " b m  
g y p d p - " r v j o e j " t p u p q p t u j " b " u f s n p g t t b h h j p " q f s " g o e f s f " b m b " g c s b " e j " d b o b q b " e f m f " g c s f " e j " q p r j f i t u f s f " d i f " g o o p  
e b " s j o g s e p " f " t p t u f h o p " e f r t q b o o f m p /  
K' q b o o f m j j o " g c s b " e j " d b o b q b " i b o o p " c v p o f " q s p q s j f u j " u f s n p b d v t u j d i f - " t p o p " u s b t q j s b o u j " f " j h s p t d p q j d j  
) q f s n f u p o p " r a " s f h r b e j p o f " e f m f v n j e j u j " q f s " h s b o u s f " v o " c v p o " n j d s p d r j m b " j o u f s o p \* / " O p o " e f w p o p " d p o u f o f s f  
t p t u b o e f " u p t t j d i f " f " o p o " e f w p o p " d p n q p s u b s f " s j t d i j " q f s " r a " t b m u f " o e " e v s b o u f " r f " g t j " e j " r a w p s b e j p o f - " o e " e v s b o u f  
r a " v j u b " v u j r f " e f r m b u f s j b r f / " M " d b o b q b " e f w f t t f s f - " j o p r u s f - " s f t j t u f o u f " b m b " n v g d - " b h r j l b u b d d i j " e b " q b s f " e j " j o t u j  
f " s p e j u p s j - " f " o p o " q v u s f t d j c j r f /

K'qboof n'le j' g'csb"ej"dbobqb"qpttpop"fttf sf "vuj'ēb"of n'f b'ēp"ēpof "ej"jouf sdbqf ejoj"ej"qbsf u"j'dpo"t'usv'v'sb  
jo"r'fhop"p"n vsb'v'sb-"ej"dpqf sv'sf "jo"r'fhop-"jo"r'bf spdf n f oup-"jo"qbsf u"j'ejv't'psj'f "jouf sof "-"dpouspt'p'g'uj-"p"jo  
t'pup'q'bvj'n f ou"q'f s'f"b'ccbu'jn f oup"ef r's'v'n psf "ej"db'q'f t'ujp/  
Mb"dbobqb"à"sj'vuj'ēb"cj'f'n"sj'dj'bc'j'f'n"bodi f "jo"q'j'o"q'spdf ttj<jogof "qvi" fttf sf "vuj'ēb"dpn f "dpn cvt'uj'c'j'f'n/"Km  
dpn qpt'ub'hh'j'p"à"j'ow'f d'f-"q'p'tt'j'c'j'f'n"t'p'p"q'f s'f"r'f'dbobqb"q'v'sb-"di f "opo"dpou'f of "g'csf"ej"q'p'r'i'f' t'f s'f /

**4.13.1.4 Fibra di cellulosa**

Mb" g'csb" ej" df n'mrptb" qvi " fttf sf " jn qj'f h'ub" qf s' r'a" dpj'cf ou'ēpof " ef h'ij'f f e'j'gdj" dpo" cv'pof " qsf t'ub'ēp'oj  
e'j't'p'f'n f oup" u'f sn p'bdv't'uj'dp" f " sj't'q'bs'n j'p" f of sh'f u'j'dp/"Mb"df n'mrptb"à"vo"j't'p'rou'f "di f "d'pot'f ou'f "b'm'i'n"q'bs'f u"j'ej  
sf t'q'j's'bs'f "-"b'tt'p's'cf oep" f "s'j'at'dj'boep"r'v'n j'e'j'U'of n'f'ō's'j'b-"f"sj'di j'f ef "q'pd'i j'tt'j'n b'f of sh'j'b"jo"q'f t'f "q's'p'ev'uj'v'b-"ebup  
di f "à"p'uf ov'ub"eb'r'f's'j'd'p"ef n'a"db's'b/

Mb"df n'mrptb"qvi "fttf sf "vuj'ēb"t'pup"q's'n b"ej"gp'ddi j'")'us'v'd'j'p'p"r'of \*'p"t'pup"q's'n b"ej"q'boof n'j'f'K'gp'ddi j't'j  
p'uf oh'p'op"q's'j'od'j'q'b'm f ou'f "eb"q'v's'b"db's'b"ej'h'j'p's'ob'j'f'di f "v'j'f of "n b'd'j'ob'ub" f "dpn q's'f t't'b-"us'b'ub"b"dp'o"t'br'j'c'p's'j'dj"jo  
n p'ep"eb"sj'ev's'of "r'j'og'b'n b'c'j'j'u'f "q's'f v'f o'j's'f "r'j'og'f t'ub'ēpof "eb"q'bs'f "ej"j'ot'f u'j'f "n v'g'f /

Mb" g'csb" ej" df n'mrptb" ef v'f "fttf sf "b'q'q'j'ub'ub" us'b'n j'f "j'rt'j'f n b"be" i'nsufflag'gid' of n'f'j'ou'f sdbqf ejoj"n vs'br'j'j'm  
n b'f s'j'br'f"q'vi "t'v'c'j's'f "-"of r'f'd'b't'p"ej"sj'f n q'j'n f ou"j'f v'f s'j'd'j'r'a"vo"op'uf v'p'f'n"b't't'f t'ub'n f oup"di f "d's'f b"ef j'w'p'uj-"q'f s  
r'v'f t'ub"sb'h'j'pof "ep'q'p"b'r'v'of "t'f u'j'n b'of "à"of d'f t't'bs'j'p"dp'ous'p'm'us'f "j'r'f'j't'v'rb'up" f e'f v'f ow'v'b'm f ou'f "b'h'h'j'v'oh'f s'f "ef m  
n b'f s'j'br'f"j'f'n b'f s'j'br'f"b't't'f t'ub'p"q'p'tt'j'f ef "v'ob"ef ot'j'U' d'j's'b"ef r'f'48.81"L h'0n d'k-"of j't'p'up'uf u'j'opo"q's'b'uj'd'bc'j'j'n  
of n'f'j'ou'f sdbqf ejoj"ej"db's'p'oh'f t't'p"q'f s'j'ob'w's'f "ej"r'f'h'op-"dp'ous'p't'p'g'uj-"t'pup'q'bv'j'n f ou"j'o"r'fh'op-"f dd"q'f s'f's'f b's'f  
q's'j'od'j'q'b'm f ou'f "vo"j't'p'f'n f oup" u'f sn p'bdv't'uj'dp"p'n ph'f of p/"B"r'ow'p's'p"v'uj'n b'up"j'g's'j"q's'b'uj'd'bu'j"q'f s'f'f'ot'v'g'f'oh'j'p  
v'f oh'p'op"p'q'q's'v'ob'n f ou'f "t'w'd'bu'j"q'f s'f'f'oe'f s'j'j'ow'j't'c'j'j'r'j'

H'ij'j'n q'j'f hi j'j'q'j'dj"ef j' p'annell'ej"df n'mrptb"t'p'op"j'r'f'f sn p'j't'p'f'n f oup"us'b"r'n"q'bs'f u"j'ef r'f'f' up" f "us'b"q'bs'f u"j'ejv't'psj'f /  
K'q'boof n'j'it'j"q's'f t'ub'op"bodi f "q'f s'j't'p'f'bs'f "g'd'd'j'bu'f "w'f ou'j'ru'f "f"u'f u'j'q'j'bo'j'f "dpn f "j't'p'f'n f oup"t'p'q's'b"r'n"us'v'j'j'Mb  
df n'mrptb"opo"e'U"sf b'ēp'oj"b'r'hd'p'ob'ub"dp'o"r'a"q'f n'f'f'opo"i b"of t't'v'ob"dp'od'f ou's'ēp'of "ej"t'p't'bo'ēf "op'd'j'v'f <i b  
db'q'bd'j'U'ej"b'tt'p's'c'j'n f oup" f "ej"sf h'p'f'ēp'of "ej"v'n j'e'j'U'<"à"j'ope's'f "-"f r'f'us'p't'ub'j'd'b'n f ou'f "f" f'f' r'f'us'j'd'b'n f ou'f "opo  
sf b'f'ou'f "f e"à"q's'j'v'b"ej"q'p'm'f' s'j'g'c's'p't'f "u'p't't'j'di f /

Beb'ub'c'j'j'U'"q's'b'uj'd'j'U'"v'f r'p'd'j'U'"f "q'v'j'ē'b"ej"b'q'q'j'ub'ēp'of "t'p'op"j'q'v'ou'j"ej"q'p's'ēb"ef n'f'j't'p'f'n f oup"dp'o"g'csb"ej  
df n'mrptb"/M"db's'bu'f sj't'j'di f "u'f do'j'di f "q's'j'od'j'q'br'j'f't'p'op"r'a"dp'oe'v'd'j'c'j'j'U'f sn j'd'b"ej"λ">"1-1148"X On L-"j'r'f'd'b'p's'f  
t'q'f d'j'g'd'p"3/211"K'U h'f"j'r'f'p'us'f "ej"sf t'j't'f of ēb"b'r'f'v'b'q'p's'f "μ">"2.3/

**4.13.1.5 Fibra di cocco**

Mb" g'csb" ej" dp'ddp"t'j'j'd'b'w'b"eb'r'f'n f t'p'd'b's'q'p-"r'a"q'bs'f "g'c's'p't'b"di f "s'd'p'q's'f "r'a"op'd'f "ej"dp'ddp"/Mb"t'us'ub"g'c's'p't'p"v'j'f of  
t'f q'bs'ub"eb'n'a"op'd'f "f"t'p'up'q'p't'p"be"vo"q's'p'd'f t't'p"ej"n b'd'f s'b'ēp'of "ej"d'j's'b"607"n f t'j'jo"b'd'r'v'b" f "d'oh'p-"q'f s  
n f ēp"ef r'f'r'v'br'f'n"t'v'c'j't'dp'op" r'a"n j'of s'br'f'ēp'of "-"w'f oh'p'op"q's'f t't'bu'f "jo"sp'uj'j'f "f" g' r'us'j" f "s'f t'j" s'f t'j't'f u'j' b'r'f'a  
q'v'us'f d'ēp'of "f e'j'n n b's'd'f t'd'j'c'j'j'f'op'odi è"n j'h'j'p's'ub'j'of n'a"db'q'bd'j'U'ej"sf t'j't'f of ēb"b'r'f'v'b'p'd'p/  
Mb" g'csb" ej" dp'ddp"ef v'f "b'w'f s'f "cv'pof "q's'p'q's'j'f"u'j'ej"j't'p'rou'f "u'f sn j'd'p" f "b'd'v't'uj'dp"/E"vo"n b'f s'j'br'f"q'f sn f b'c'j'f'n"b'm  
v'b'q'p's'f "-"opo"u'f n f "r'v'n j'e'j'U'f e"à"j'ob'ub'd'bc'j'f'n"eb"n v'g'f "-"q'bs't't'j'j'f" s'p'e'j'p's'j'/  
K' g' r'us'j" p" q'boof n'j'it'j' g'csb" ej" dp'ddp" q'p'tt'p'op" fttf sf "vuj'ēb" q's'j'od'j'q'b'm f ou'f "q'f s'f j't'p'f'bs'f "b'd'v't'uj'd'b'n f ou'f  
q'bv'j'n f ou"j'h'b'r'f'h'j'bo'j'j'/"Q'p'tt'p'op"j'op'us'f "fttf sf "vuj'ēb"q'f s'f"r'f'p'f'n f oup" u'f sn p'bdv't'uj'dp"ej"q'bs'f u"j"dp'q'f sv's'f  
v'f ou'j'ru'f "f"t'p'up'uf u'j'

Mb" g'csb" ej" dp'ddp"ef v'f "b'w'f s'f "vob"m'oh'b"ev's'bc'j'j'U'f "ef v'f fttf sf "s'j'd'j'bc'j'f'n"dpn f "be"f't'f n q'j'p"q'f s'f'ef ob'h'h'j'  
h'j'b's'e'j'oj"q'f ot'j'j'f'f "u'f s's'b'ēp"p"dpn f "s'j'og'p's'ēp"q'f s'f'us'f o'j'jo"q'p's'f "q'f o'ef of ēb"/E"gd'j'f'n"eb"q'p't'bs'f "f"r'a"t'v'b"t'us'v'v's'b  
q'f sn f u'f "vob"q'f s'f'ub"b'ef s'f of ēb"gs'b"j'q'bo'f n'j'it'j'b'd'd'p't'ub'uj"v'op"b'r'f'v'p's'p"q'f s'di è"r'n"g'cs'f "t'j'j'ou'f s't'f d'ob'op"gs'b"r'p's'p'  
d'p't'uj'v'f oep"vo"dp's'q'p"voj'dp"t'f of ēb"jou'f s's'v'ēp'of "ej"j't'p'f'n f oup" f "t'f of ēb"c'j't'p'hop"ej"dp'n'f'ou'j'/"Opo"e'bo'of h'h'j'b"r'a  
t'b'm'uf "ef n'v'p'n p"q'f s'di è"opo"e'U"p's'j'h'of "b"q'v'w'j't'p'p"oē"be"b'r'v'ob" f t'br'f'ēp'of "j's's'j'bo'uf "q'f s'f'r'a"q'f n'f'p"q'f s'f'n'v'j'f  
sf t'q'j's'b'p's'j'f /

**4.13.1.6 Fibra di legno**

K'q'boof n'j'it'jo" g'csb" ej" r'fh'op" w'f oh'p'op"q's'p'ep'uj"b'us'bw'f s't'p"r'a"r'ow'p's'ēp'of "ef r'f'f'f'h'ob'n f "ej"t'db's'ub"q's'p'w' o'j'f ou'f "eb  
t'f hi f s'j'f "-"t'j'w'j'd'p'us'v'b"t'p't'f o'j'c'j'f'n" f "eb'n'a"sj'q'v'j'v'us'v'b"ef j'c'p't'di j'f" Mb"n b'f s'j'b"q's'j'n b"v'j'f of "t'n j'ov'ēb'ub-"c'p'r'j'ub'  
t'g'cs'b'ub"n f d'bo'j'd'b'n f ou'f "p"b"v'b'q'p's'f /E"b'r'f'n'q'bt'up"ej"g'cs'f "p'uf ov'up" w'f oh'p'op"q's'n bu'j'ef j'f'g' r'us'j" d'uj'bt'd'j'v'h'bs'f

b"dbrep" f "r vjoej" rfhhf sn f ouf "dpn qsf ttj" "Mjodpnhhj" ef j" qboof njl bwj of "tprjbn f ouf "dpo" r" rjmojob/

K' qboof njl dpté qsepup- i boop" ef rni" cvpof " dbsbuf sjtjdi f " ej" jtprbn f oup" uf sn pbdvtjdp- " f e" vob" cvpob dbqbdjw" ej" bddvn vrp" ef rtdbrpsf -" di f "jo" f tubuf "tj" usbevdf "jo" vo" cvpo" rjw rnp" ej" sjobsep" of rtdbrpsf ef rtdbrpsf ebrni" f uf sop" bni" f uf sop" "K' qboof njl qpttpop" bttpscjsf "n prnb" bdr vb" tf oEb" n pejgdbsf "r" rpsp" tsvuwsv- "n b" qf s f tqrfubsf "r" rpsp" gvoEjpop" ef vpop" f ttf sf "bqqrjbu" b" tf ddp/

K' qboof njl jo" gcsb" ej" rfhop" w ohpop" drttjgdbj" b" tf dpoeb" ef rni" rpsp" ef otjw" jo;  
."qboof njl evsj" A ">" 911" Lh0n d  
."qboof njl tf n jevsj  
."qboof njl n pscje" = ">" 461" Lh0n d

K' qboof njl tj" vjjeEjpop" qf s" rjtprbn f oup" ej" jof sdbqf ejoj" ej" tsvuwsv "jo" rfhop" f " n vsbwsv- " dbqqpuj" f tf soj wf oujruj" f "opo- " sjw f tuj f ouj" jof soj- " dpqf swsf " jodjrbu" f " qjbof" f " tprbj" ej" vbsjp" uqap/

K' qboof njl pop" cjpef hsbecj" f " qpttpop" f ttf sf " vjjeEj" dpn f " dpn cvtjcrj" ) b" n f op" di f " opo" tjbop" usubuj dpo" cjwn f \*pqavsf " qpttpop" f ttf sf " sjdjrbu" qf s" aspevsv " ovpwj" n buf sbrj" jtprbouj/

Qf s" qboof njl jo" gcsb" ej" rfhop" t( jof oef "vo" aspepup" dpogsn f " bni" Opsn b" VOK'FO" 24282/

### 4.13.1.7 Fibra di legno mineralizzata

M" gcsf "ej" rfhop- "n bdjobuf "f "t gcsbuf "busbwf stp" qspdf ejn f ouj" n f ddbojdj- "w ohpop" jn qsf hobuf "dpo" n bhof tjuf p" df n f oup" qpsuboe" qf s" ef uf sn jobsof " r" n jof sbrjeEjpop -" di f " bqpsub" bni" gcsf " vob" opuf wprf" dpf tjpop " f dpn qbulf Eeb" tsvuwsvrj" / Nf t dprhoep" usvdjprj" ej" rfhop" b" gcsb" mohb" dpo" n bhof tjuf "tj" aspevdpop" ef j" qboof njl uf sn pjtprbouj/ " Of r" qspdf ejn f oup" dpo" df n f oup- " rjn qbtup" wj of " w stbup" jo" tubn qj" f " rtdjbu" t bhjpbosf " f " r" n jof sbrjeEjpop " bwj of " qf s" bttpscjn f oup" ef rfhof " M" gcsf " w ohpop" t pupqptuf " be" vo" usubn f oup n jof sbrjeEjpop " di f -" qvs" n bouf of oep" jobru" sbuf " r" qspqsf w" n f ddbojdi f " ef rfhop- " of " boovr" j" qspdf ttj" ej ef uf sjpsbn f oup" cjprhjd- " sf oef " r" gcsf " qf sf ubn f ouf " jof suj" f " boovr" r" sf tjt uf oEb" brjvdpd/

Opo" tj" ef w" puf of sf " of ttvo" jor vjobn f oup" oè" jo" gtf " ej" aspevEjpop -" oè" of rjn qj hp- " oè" of rni" w oubrf sjdjrbhhj" f " tn brjn f oup" ef j" sf tjevj" di f " qpttpop" f ttf sf " sf jn qj hbu" p" sjdjrbu/ " K' hqsepup" opo" ef w dpouf of sf " n f ubrj" opdjv- " opo" t vjmqqbsf " hbt" uptjdi- " opo" f ttf sf " sbejpbujvp- " opo" dpn cvtjcrj" ) jo" dbtp" ej jodf oejp" opo" ef w " ebsf " mphp" b" hpddjprbn f oup- " opo" t vjmqqbsf " gn j" p" hbt" uptjdi- " opo" qspqbhsf " gbn n b\* / Mb gcsb" ej" rfhop" n jof sbrjeEjpop" ef w" bwf sf " vo( rfwub" dbqbdjw" ej" bddvn vrp" uf sn jdp" f " ej" tn pEbn f oup" ef rni" gmvwEjpoj" ej" uf n qf sbwsv" jo" n pep" eb" hbsbousf " vo" dptbouf " n jdspdjm b" jof sop/ " Usbuoeptj" ej" vo" n buf sbrf usbtqsbouf " dpo" cvpof " dbsbuf sjtjdi f " bdtjdi f " qv " f ttf sf " jn qj hbu" tjb" dpn f " gopjtprbouf -" di f " dpn f gopbttpsc f ouf /

K' qboof njl jo" gcsb" ej" rfhop" n jof sbrjeEjpop" qpttpop" f ttf sf " vjjeEj" qf s" rjtprbn f oup" uf sn pbdvtjdp" f " r" qspuf Ejpop " ebrjvdpd" ej" qbsf u" qf s" jn f sbrj" f " ejwtpsf -" dpouptpgjuj- " dpqf swsf " f " tprbj" / " Qpttpop" vjjeEj" of rni" dpssf Ejpop " ef j" qpouj" uf sn jdi- " of rjt bbn f oup" ej" n vsbwsv " vn jef -" of rjtprbn f oup" ej" bn cij ouj" dpousp" uf ssv/ " M" gcsf " t gtf " ej" rfhop" n jof sbrjeEjpop" qpttpop" f ttf sf " vjjeEj" qf s" sf sbrjeEj" t pupgoej" f " n bttf uj" bni" hf sj" qf s tprbj" f " t pupuf uj/

K' qboof njl tf " jof hsj- " qpttpop" f ttf sf " svjjeEj- " n b" r" n jof sbrjeEjpop " of " sf oef " jn qpttjcrj" r" dpn cvtjcpof / Vob" gsn b" ej" sf dvqf sp" à" r" gboun Ejpop " f e" j" svjjeEj" dpn f " jof suf " qf s" rtdbrf tsvEep/

Qf s" qboof njl jo" gcsb" ej" rfhop" n jof sbrjeEjpop" t( jof oef "vo" aspepup" dpogsn f " bni" Opsn b" VOK'FO" 24282/

### 4.13.1.8 Fibra di lino

Mb" gcsb" ej" rjop" à" sdbwbub" eb" qjbof " qspw of j ouj" eb" dpnjwEjpoj" cjprhjdj f -" dpo" r" wpsEjpoj" opo" jor vjobouj" f " dpo tdbstb" sdi jf tub" f of shf ydb/ " Mb" n buf sjb" qsjn b" à" sbqqsf tf ouub" ebhrtj" uf rj ef rni" qjbolb- " qvrj" ej" ghrj" f dbqtvrf- " di f " w ohpop" uptubuj" qf s" rjof sbsf " r" gcsf " ebj" rfhobouj/ K' n buf sbrf" uf sn pjtprbouf " à" dptujwup" eb" gcsf " df rnrptjdi f " sf tf " t pup" gsn b" ej" n buf sbttjoj" ej" rjop" p" bodi f t gtp/ " Qf s" r" aspevEjpop " ej" qboof njl jtprbouj" r" gcsf " w ohpop" usubuf " dpo" tbrj" ej" cpsp" f -" jo" brdvoj" dbtj beejepobuf " dpo" vo" tvqqpsup" jo" gcsb" ej" qprj" tuf sf /

Mb"gcbsb"ej"rjop"ef wf "bwf sf "cvpof "qspqsif u"ej"jtprbn f oup"uf sn jdp"f e"bdvtjdp-"usbtqjsbouf "f "jhsptdpqjdb-"dpo vob"cbttb"dbjsdb"rfnuoptubjdb"f"opo"dpouf of sf "tptuboef "opdjw"qf s"rb"tbrmf /

K' qboof n" n pscjei" qpttpop" f ttf sf "vujeb" qf s" jtprbsf " uf sn jdbn f ouf " f e" bdvtjdbn f ouf " jof sdbqf ejoj" ej tusvuwsf " r"hof f "-" dbqqpuj" jof soj-" dbqqpuj" f tuf soj" wf oujruj-" dpqf suvsf " wf oujruj "-" qbsf u" ejwjt psjf " jof sof - dpousptpgjuj-"tpupqbwjn f ouj" f "tprbj/"K'qboof n"shhej"jo"gcbsb"ej"rjop"qpttpop" f ttf sf "vujeb"qf s"r"jtprbn f oup bdvtjdp"ej"tprbj"hbrrhhjhouj" f e"j"gpddi j"qf s"jrsj" n qjn f oup"ej"qjddprn" f ttf sf "eb"jtprbsf /

Mb"gcbsb"ej"rjop"bttprmb"à"svujeb"bcjrfn" f "sjdtrbcjrfn/

**4.13.1.9 Lana di pecora**

Gcbsb"uf ttjrfn"puf ovub"ebrhfq m"ej"qf dpsb-"vujeb"qf s"m"qjò"qf s"ra"qspevej"pof "ej"uf ttvuj/"Vob"wpnb"lbrhjbub vj of "rbwub" dpo"tpeb"qf s"sin vpwf sf "jrhsttp" f e" f w oubrjrn qvsjw/"Qf s"qspuf hhf s"ra"eb"ubn f " f "qbsbttj j wf ohpop" vujeb" hrttuf ttj" usubn f ouj" vujeb" of rtf upsf " uf ttjrfn" qf s"rbccjhjbn f oup/"Mb"rbob" vj of "qj dbsebub")qf ujobb" f "sjepub"jo"wf rjt puji" f "tpupqbtb"be"bhvhrjwub")n bddi jof "be"bhi j\*"qf s"dsf bsf "g nsj- spuprj" qboof n"ef otjw"ef tjef sbub/

Ko" f ejreb"vj of "vujeb"t djprb-"jo"spurn"jo"qboof n"ip"jo"n buf sbttjo"ej"vbsjp"tqf ttf sf / Mb"rbob" ej" qf dpsb" ef wf " bwf sf " cvpof " qspqsif u" ej" jtprbouf " uf sn pbdvtjdp-" usbtqjsbouf " f e" brbn f ouf jhsptdpqjdb/"Qv1 " bttpscjsf " hsbwej" r vboujw" ej" bdr vb" tf oeb" qf sef sf " jr"qspqsip" qpu sf " jtprbouf /" Ko" dbtp" ej jodf oejp" ef wf " f ttf sf " bvupf tujohvf ouf " f " opo" f n f uf sf " tptuboef " uptjdi f /" Mb"rbob" ej" qf dpsb" ef wf ttf sf n bof hhf wprn" jo" n pep" eb" f ttf sf " lbrhjbub" dpo" vob" tf n qjaf " gscjdf " f " bqqrbub" dpo" gbjrw/" Qv1 " f ttf sf jn qj f hbu"tpqsbuwup" qf s" r"jtprbn f oup" uf sn pbdvtjdp" ej" jof sdbqf ejoj-" qbsf u" f " dpqf suvsf " dpo" t usvuwsf " jo r"hop-"jo"dbqqpuj"jof soj" f e" f tuf soj"wf oujruj-"jo"qbsf u"ejwjt psjf "jof sof " f "dpousptpgjuj/"K'g nsj" dpo"n bhjpsf ef otjw"qpttpop" f ttf sf "vujeb"qf s"sjevsf "jrsv n psf "eb"drqf t up"br"ej"t pup"ej"qbwn f ouj"hbrrhhjhouj/"Qf s"jm sif n qjn f oup"ej"qjddprn"dbwjw"wf ohpop"vujeb"gpddi j"p"usf ddf "jo"rbob"ej"qf dpsb/

Mb"rbob"ej"qf dpsb"à"sjdtrbcjrfn" f "dnp qptubcjrnf"qvadi è"wf ohbop"sin ptjt" f wf oubrjrtvqqpsuj"jo"qprjqspqjrnof /"Tf usubub" dpo"tbrj"ej"cpso"opo"qv1 " f ttf sf "tn brjwb"jo"tju"ej" dnp qptubhhjp-"qpjdi è"dbvtf sf ccf "rtdjwbej"po"ef m uf ssf op/"K'svujeb"à"qpttjcrnf" f "jrn buf sjbrn"à"qvruj" f "opo"à"tubup"bubddub"eb"jotf u"j"p"n v gff /

**4.13.1.10 Lana di roccia**

Mb"rbob"ej"spddjb"à"vo"n buf sjbrn"obwsbrn" dpo"qf dvrbjsjw"uf sn jdi f " f e"bdvtjdi f -"jodpn cvtjcrnf-" f e"à"puf ovub ebna" gytj"pof " ef j" dnp qpof ouj" n jof sbrn" pqqpsuobn f ouf " t f r"epobuj" f " eptbuj/"Mjof sp" qspdf ttp" ej" gytj"pof " f gcsbhj"p"à"dpousprub"bnp"tdpq"ej"puf of sf "vo"qspepup"gojup"pn phf of p-"di jn jdbn f ouf "jof sf -"tubcjrnf"of m uf n qp/"Mb"qspevej"pof "ef rna"rbob"ej"spddjb"i b"joj"ep" dpo"ra" gytj"pof "ef rna"spddjb"wrdbojdb"be"brub"uf n qf sbwub epq"vob"bddsbb"t f r"epof "hf prphjdb"ef rna"n buf sjf "qsjn f ")jrtbrbsf -"rncsiddi f uf -"jrtpl f \*) Ebrna" gytj"pof " ef rna" spddjb" wrdbojdb-" di f " t j" usbtqsn b" jo" spddjb" gytb" )n f rna" t j" qspevdf " vob" gcbsb" jogjof tqsvub"ej"sf tjof" f e"prjp/

Qspepub" f e"jn qj f hbu"qsjodjbm f ouf "qf s"jrcvpo"jtprbn f oup"uf sn jdp" f e"bdvtjdp"di f "ef wf "qptt f ef sf -"ra"rbob ej"spddjb"à"vujrfn"qf s"ra"sjev"epof "ef hrtjohpn csj")m"tqf ttf sf "ef r"qspepup"dpotf ouf "ej"sjevsf "brn jojn p"ra qf sejub"ej"tvqf sjdjf "vujrfn"ef hrtjqtbe"jof soj" f "ra" gbjrw"ej"qptb"jo"pqf sb;"jr"qspepup"qv1 " f ttf sf "qptup"jo pqf sb"bodi f "qf bddpqjbu" dpo"qboof n"ej"brsp"n buf sjbrn"jtprbouf "sjhep" f "ef wf "hsbouj"sf tjtuf oeb"brj"lvsj f " brn" jejuw/" Mf wf oubrn" gsn bej"pof " ej" dpoef otb" jof stujbrn" qv1 " f ttf sf " sf hprub" ebna" qf t f oeb" ej vo(pqejpobrn"cbssj sb"brwbqpsf "jof hsbub"of r"qspepup"bddpqjbu/

Mb"rbob"ej"spddjb"eb"jn qj f hbsf "ef wf " f ttf sf "joopdvb"qf s"rb"tbrmf /

Qv1 " f ttf sf "jn qj f hbu"tpqsbuwup" qf s" r"jtprbn f oup" uf sn pbdvtjdp" ej" jof sdbqf ejoj-" qbsf u" f " dpqf suvsf " dpo tusvuwsf "jo"r"hop-"jo"dbqqpuj"jof soj" f e" f tuf soj"wf oujruj-"jo"qbsf u"ejwjt psjf "jof sof " f "dpousptpgjuj/

**4.13.1.11 Perlite espana**

Mb" qf sjuf " à" vob" spddjb" wrdbojdb" drttjgdbub" dnp f " rwb" ej" sf df ouf " f gytj"pof -" dbsbuf sjeub" eb" qpsj" ej

sjeputtjn f " ejn f otjpoj" f " df mrfn" di jvtf /" Tpupqptup" b" usubn f oup" uf sn jdp-" jrn jof sbrfn" qf sef " rbdv vb  
dvn cjobub" f "tj" f tqboef "eboep"psjhjof "be"vo"pujn p"n buf sbrfn"jo"qsn b"hsbovrbsf -"f tf ouf "eb"jn qvsjw"tuf sbrn  
f "di jn jdbn f ouf "jof suf /  
Mb" qf sbrfn" f tqbotb" ef wf " f ttf sf " usbtqjsbouf " f " dbqbd f " ej" sf hprbsf " rfn jeju" epubup" ej" cvpof " qspqsf w  
uf sn pjtprbouf" f " gopbttpsc f ouj/" Eub" r" tvb" psjhjof " n jof sbrfn" ef wf " f ttf sf " jodpn cvtucjrn" f " opo" f n f uf sf  
tptboef "upttjdi f -"oè"bubddbcjrn"eb"n vgf " f "spejupsj/

Mb"qf sbrfn" f tqbotb"qvi " f ttf sf "bqqrjdbub"tgytb"jo"jof sdbqf ejoj"ej"qbsf u"qf sijn f sbrfn"dpqf suvsf -"tpupuf u"j"opo  
qsbjdbcjrn"Kn qbtubub"dpobdr vb" f " dbrdf "jesbvjdb-"qvi " f ttf sf "vujneub"qf s"sf brjeb"sf "tpupgpoej" f "n btff u"j"jo  
tprbj"jof sqjbop" f "dpousuf ssb-"tpupuf u"j"qsbjdbcjrn"dpqf suvsf "qjbof " f "jodjrbuf /"Mb"qf sbrfn" b"hsbovrpn f usj"gof  
qvi " f ttf sf "vujneub"dpn f "jof suf "qf s"joupobj"uf sn pjtprbouf" gopbttpsc f ouj" f "sf tjtuf ouj"brtyvdp/"K"qboof m"lej  
qf sbrfn" ef vpop" f ttf sf "jodpn cvtucjrn"sf tjtuf ouj"bn"dpn qsf ttjopof " f "brfn jeju"qpttpop" f ttf sf "vujneub"of m  
dpqf suvsf "qjbof "dpn f "tvqapsup"ejf up"qf s"r"qptb"ej"n f n csbof "jn qf sn f bcjrn"K"qf tp"qf djgd"bqabf ouf  
ef m"qf sbrfn" f tqbotb"à"dpn qsf tp"usb"j"71" f e"j"231"l h0n 4/

Krn buf sbrfn"hsbovrbsf "tgytp"à"svujnebcjrn-"opo"à"dpn cvtucjrn-"n b"qvi " f ttf sf "vujneub"dpn f "jof suf "qf s  
dbrdf tusv"ep"p"tn brjup"jo"ejtdbsjdi f "qf s"tdbsj"ej"n buf sbrfn"ejj

#### 4.13.1.12 Pomice

Mb"qpn jdf "à"vob"spddjb" f gytjwb"qsn bbtj"qf s"r"qsf tf oeb"ej"wbqpsf "e"bdr vb" f "ej"htb"sbddi jvtj"of m"rwb/"Tj  
qsf tf oub"jo"vob"tusvwsb"brv prbsf "gof n f ouf "qpsptb-"tpup"qsn b"ej"hsbovrj"hsjhj"di jbsp/"Mb"qj f usb" f tusub  
vjf of "n bdjobub"qf s"puf of sf "ejv"stf "hsbovrpn f usj" f "qvi " f ttf sf "usubub"dpob"tptboef "jespgcf "qf s"sf oef srb  
jespsf qf rnof /

Mb"qpn jdf "ef wf ttf sf "usbtqjsbouf -"dpo"cvpof "qspqsf w" gopbttpsc f ouj" f e" f rfwub"sf tjtuf oeb"b"dpn qsf ttjopof /  
Ef wf " f ttf sf "jodpn cvtucjrn-"opo" f n f uf sf "gn" j"upttjdi"jo"dbtp"ej"jodf oejp" f "opo"dpouf of sf "tptboef "opdjw  
qf s" r" tbruf /" Mb" qpn jdf "à" di jn jdbn f ouf "jof suf -" r vjoej" ef wf " f ttf sf "tbcjrn" of rhu n qp-"jn n bsdf djcjrnf-  
sf tjtuf ouf "brfn jeju" f "brnbubddp"ej"n vgf -"jotf u"j" f "spejupsj/"Mb"tusvwsb"ef rn buf sbrfn"ef wf "sf oef srb" f rntjdp  
f "gdjrn f ouf "rwbpsbcjrn" f "dpo" f sjhj"cvpob"sf tjtuf oeb"n f ddbobjb/

Krn buf sbrfn"jo"hsbovrj"tgytj"qvi " f ttf sf "bqqrjdbub"jo"tpupgpoej"p"jo"bhjvoub"dpn f "jof suf "qf s"r"sf brjeb"epof  
ej" dbrdf tusv"ep"brnhhf sjj"uf sn ppopjprbouf"jo"tprbj"jof sqjbop" f "dpousuf ssb-"tpupuf u"j"qsbjdbcjrn"dpqf suvsf /  
Mb"qpn jdf "qvi " f ttf sf "joprus" vujneub"qf s"qpsvss" n brdf "ej"qptb-"di f "n jhjsbop"r"tprbn f oup"uf sn jdp"ef m  
n vsbwsf -"p"qf s"sf brjeb"sf "tqf djbrj"joupobj"uf sn pjtprbouf" f "sf tjtuf ouj"brtyvdp/

Mb"qpn jdf "opo"qpo"qspcrfn j"ej"tdbsj"upttjdi"tjb"of m"gtf ef m"qpsv"epof "di f "jo"r vf m"ej"vujnebcjrn"epof /

#### 4.13.1.13 Sughero

Krtvhi f sp"à"vo"n buf sbrfn"obwsbrfn-"sjdbwub"ebm"dpusf ddjb"ej"vo"qsbjdbprbsf "ujqp"ej"r vf sdjb"di f "qvs" f ttf oep  
ef dpsjdbub"opo"tvcjtdf "brv"vo"eboop"jo"r vbou"sjf tdf "b"sjhf of sbsf "jrtf ttvup"tvcf sptp"djsdb"phoj"opwf "booj/  
Epubup" ej" vob" f rfwub" f rntjdu" vob" opuf vprfn" sf tjtuf oeb" brfn" tprndjbejpoj" gtjdi f " f " di jn jdi f " f " pujn f  
qspqsf w"ej"jtrbn f oup"uf sn pbdvtjdp-"à"bodi f "vo"vbrjep"tdi f sn p"ebm"poef "f rhu spn bhof udi f "qspwf ojf ouj  
ebm" tusvwsf " n f ubrjdi f < "à" obwsbrfn f ouf " usbtqjsbouf " f " qf sn f bcjrn" brhwqpsf -" opo" tvcjtdf " vbsjbejpoj  
ejn f otjobjrj" f e"à"jobubddbcjrn"ebm"n bhjps"qbsf " ef hrj"bhf ouj"bdjej-" f "joejh"sjcjrnf"bhj"jotf u"j"-"spejupsj" f  
vprubjrn" Krtvhi f sp"joprus" f "à"jn qvuf djcjrnf"bodi f "jo"dpoejbejpoj"ej"vn jeju/"K"dbtp"ej"jodf oejp-"jrtvhi f sp  
obwsbrfn"csdjbr"rnoubn f ouf "jo"qsf tf oeb"ej"gbn n b-"opo"qspqbhb"r"gbn n b" f "tj" f tujohvf "eb"tè/"Krtvhi f sp"à  
qf sf ubn f ouf "sjdbrj" f "opo"dbvtb"qspcrfn j"ej"n brjn f oup/

Qvi " f ttf sf "vujneub"dpn f "jtrbouf "ej"tpup"dpqf suvsb"tf oeb"r"of df ttjw"ej"hvbjob"jn qf sn f bcjrn-"vjup"di f "à  
jespsf qf rnof /" Bqqrjdb"epoj" dpo" r"tp" ef rn tvhi f sp" tj" qpttpop" f gfwvbsf " bodi f " of m"on cjup" ef m  
qbvjn f oub"epoj-"dpn f "be" f tf n qjp-"jo"qjbtuf m"ej"tvhi f sp"sjdpqf suf "eb"tusub"ej"vtvsb"jo"qprjdrpsv"ej"vjojrn  
p"brsp")Wf ej"opsn b"VOKFO"766".VOKFO"23215".VOKKTP"4921"<

Krtvhi f sp"qvi " f ttf sf "vtbup"tpup"qsn b"ej"hsbovrub")be" f tf n qjp-"dpn f "sjf n qjn f oup"ej"jof sdbqf ejoj-"tuf tp  
p" rjw rnap" of j"tpupuf u"j" f " ej"n btff u"j" ej" qf oef oeb"jtrbouf" dpn f "jtrbouf" uf sn jdp" f " bdvtdjdp" ef j"qjboj"ej

dbnrf tujp" f "ej"dbnrf tusv"ej"brnfhf sjj\*"pqqv sf "t pup"gnsn b"ej"spurjip"qboof rj)w" ej"opsn b"VOK'FO"24196\*/  
Tf "vuj"ebup"jo"hsbovrj"qf s"jrhf n qjn f oup"ej"tusvwsf "w"sjdbrij"qv" ef uf sn jobsf "jrh"gnsn bstj"ej"qpouj"uf sn jdj  
)uf oef "be"bttf t ubstj"rt djboep"vw pu"jo"brp\*/

### I pannelli

Tf "vuj"ebup"jo"qboof rj"r vf tu"ef wpop"fttf sf "sf brj"ebuj"tprp" dpo"tvhi f sp"n bdjobup" f "dpn qsf ttp"b"dbnrf")j  
hsbovrj"lpt epuf ovj-"ebr"ejbn f usp"ej"3.4"n n "-"jrf sbuj"ebn"t dpsj"qpsptf "f "rnhoptf "-"w"ohpop"qptuj"jo"gnso"b  
qsf ttjpoj" f "sjt drabuj"be"vob"uf n qf sbuwsb"ej" djsdb"491"±D-"tf oeb"bravo"dpoubup" dpo"rnsjb<"r"qsf ttjpoj" f "r  
uf n qf sbuwsb" qspwdbop" r" gpsjvt djub" ef r" tvcf sjob-" vob" sf tjob" dpouf ovub" of rhn buf sjbrn" tuf ttp-" di f  
rj"vf gdf oepjt"eU"jo"ejp"brh"qpdf ttp"obuwsbrn"ej"bhhrmjyobn f oup" f "tbrabwsb"ej"hsbovrp" dpo"hsbovrp"Kogof  
wup"vjf of "dpn qsf ttp"gnsf n f ouf "usb n jf "vob"qsf ttb"jesbvrij"di f "ef uf sn job"r"tusvwsb"ef rnhhrn f sbup" f  
r"ejn f otjpoj"ej"phoj"tjohprp"qboof rj-"tf oeb"rnhhvjoub"ej"vo"beejujw"p"rnhbouj"bsujgdjbrj"/)w" ej"opsn b"VOK  
FO"24281\*

### 4.13.1.14 Vermiculite espansa

Mb"wf sn jdvrij"à"vo"n jof sbrn"ej"psjhjof "w"rdbojdb-)spddf "n jdbdf f\*"di f "t pupqptup"b"usbun f oup"uf sn jdp"eb  
psjhjof "be"vo"n buf sjbrn"hsbovrbsf "jof sf "-"t uf sbrn" f e"jobubdbbcjrn"eb"jotf uj" f "spejpsj/

Mb"wf sn jdvrij" f tqbotb" ef w" f ttf sf "usbqjsbouf " f "jhspsf hrubusjdf "-"bwf ouf "cvpof "qspqsjf u" uf sn pjtpribouj" f  
gopbttpsc f ouj-"jodpn cvt ucjrn" f "jn qvuf t djcjrj/

K'hsbovrj" qpttpop" f ttf sf "bqqrabuj" tgytj" jo" jof sdbqf ejoj" ej" qbsf uj" qf sijn f usbrn" dpqf svsf "-"t pupuf uj" opo  
qsbujdbcjrn" dboof "gn bsj" /"Ko"qspqptjup"tj"gdjdb"sjf sijn f oup"brn"opsn f "VOK'FO"25428.2". "VOK'FO"25428.3/  
Mb"wf sn jdvrij" jn qbtubub" dpo" bdr vb" f " rnhbouf "jesbvrij" qv" f ttf sf "vuj"ebub" qf s" sf brj"eb"sf "t pupgpoej" f  
n bttf uj"jo"tprb"j"jof sqjboj" f "dpousuf ssb-"t pupuf uj"qsbujdbcjrn"dpqf svsf "qjbof "f "b"drab"jodriobub/  
Mb"wf sn jdvrij"-"tf oeb"rnhbouj"p"dpohrn f sbub" dpo"rnhbouj"jopshbojdb-"uspwb"r"t vb"qsjodjbrn"pddvqbejpoj" dpn f  
jtprbouf "uf sn p. bdtjdp" of rnh"ejrb" /Tf svf "dpn f "cbtf" qf s" sf brj"eb"sf "t qf djbrj"joupobdj"bwf ouj" dbsbuf sjtjdi f  
gopbttpsc f ouj" f "boujodf oejp-"opodi è"qf s"hrj"joupobdj"qf n jt df r"uj"ef tujobuj"brn"joupobdbwsb"ef j"rdbrij

K'hn buf sjbrn"hsbovrbsf "tgytj"à"svuj"ebbcjrn-"brsjn f ouj"tn brnjup"jo"ejtdbsjdi f "qf s"t dbsuj"eb"dptusv"ejpoj /

### 4.13.1.15 Vetro cellulare

K'hwf usp"df rnhbsf "f tqbotp"vjf of "qspewup"qsjodjbrn f ouf "eb"wf usp"sjdtrub" f "qf s"r"sf t ubouf "qbsuf "eb"tbccjb  
r vbsptb"brn" r vbrn" w ohpop" beeiejpobuf "brsf "tptubo" f "t qf djf "jrhdbcpobup" ej" dbrjip-" g retqubp" qubttjdp-  
pttjep" f sptp-"dbscpobup"ej"tpejp/"E pqp"jrh"qpdf ttp"ej"sbgsf eebn f oup-"j"qboof rj)puf ovj" w ohpop"lbrjrbuj" f  
tveejvtj"of rnh"ejv"stf "hsboef /

K'qboof rj"ej"wf usp"df rnhbsf "-"dpogsn j"bj"sf r vjtj"joejdbuj"ebn"opsn b"VOK'FO"24278-"qpttpop"fttf sf "vuj"ebuj  
qf s"rj"tprbn f oup"qf sijn f usbrn"rnh"qbsf uj" f tuf sof "b"dpoubup" dpo"r"uf ssb-"jo" gpoeb"ejpoj "-"tv"uf ssb"ef "p"tv  
uf uj"qjboj" f "jo"hf of sbrn"jo"uwuf "rnh"qbsuj"ej" f ejdjip"b"dpoubup" dpo"r"v n jeju" dptujw" oep"vob"cvpob"brn" sobujvb  
bj"qboof rj"jo"qbtjdb/"Mb"rhwpsb"ejpoj"à" f ttf hvjub" dpo"t f hi f "b"n bop/"K'hwspewup"qpusf ccf "sjqpsbsf "ebooj"jo  
t f hvjub"b"tprn"jdb"ejpoj"n f ddbojdi f "evsbof "jrh"poubhhjip/  
K'hwf usp" df rnhbsf " ef w" f ttf sf "qf sf ubn f ouf " tubhop" brhwqpsf " f "brndr vb-" sf tjtuf ouf "brh"hf r" f "brn  
dpn qsf ttjpoj/" K' qboof rj"ef wpop"fttf sf "rnhhf sj-"opo" jogbn n bcjrn"opo" qvuf t djcjrj" f "sf tjtuf ouj"bj"tprw"ouj  
pshbojdb" f "bhj"lbdjej/  
K'hwf usp"df rnhbsf "qvsp"qv" f ttf sf "sjdtrub"tf oeb"bravo"qspcrfn b/

### 4.13.1.16 Cartongesso

Qf s"dbspohf ttp"tj"jof oef "jrh"spewup"dpogsn f "f e"vuj"eb"tf dpoep"rnh"Opsn f "VOK'FO"24: 26". "VOK'22535/  
K'qboof rj"tpop" dptujw"j"jo"hf ttp-"sjdbwub"ebn"dpwusb"ef rnh"spddj"ej"tprub"ej" dbrjip-"sjogsbup"eb"evf "gphrn  
ej"dbspof "sf tjtuf ouf "di f "gohpop"eb"bsn buwsb" f tuf sob/"Mb"tusvwsb"b"n jdsp" f "n bdsqpsj"sf oef "jrh"spewup"jo  
hsbep"ej"sf tjtuf ouf "brn"jeju"jo" f ddf ttp-"bttpscjsf "svn psj" f "wjsb"ejpoj" g sn p"sf tuboep"r"jodpn cvt ucjrn"u" qf s  
f ddf rnh"eb"ef j"qspewuj"vuj"ebuj/

Mf "rot usf "ej" dbspohf ttp" apttpop" f ttf sf "vujj" euf "jo" n pebrju" bddpqajub" dpo" brusj" n buf sbrjijt prbouj" f Qp" qf s'rb dpt ujuv euf "ej" qbsf u" jof sof -" dpousqbsf u- " dpouspt pgguj" f "tjn jrrj  
Of nra" qsjodjqrbrn" baqqrub euf -" rfi" qbsf u" jo" dbspohf ttp- "t pop" dpt ujuvuf "eb" vob" t usvuvsb" n pevrbaf "n f ubrjrb" jo rbn jf sb" e" bddbjp" e jodub" dpn qpt ub" eb" hvjef "be" "V" "psj" euf vqf sjpsj" f e" jof sjpsj" f "n pouboj" b" "D" "wf sydbjn b" dvj" wf ohpop" gt tbf "rft" rot usf "ej" hf ttp" qspuf up" f "rft" hvjovsf "usb" rfi" rot usf "f e" j" qvouj" epwf "t pop" t ubf "jotf sjf rfi" vuj" wf ohpop" t uwdubj" f "sbtuj" "M" "t qf ttpsf "gobrn" ef rfi" qbsf u" jo" dbspohf ttp" qv1 "vbsjbsf "hf of sbrn f ouf "eb 86" n n "b" 236" n n /

Mf " qbsf u" jo" dbspohf ttp" vboop" dptof hobuf " qspouf " qf s' s' jdf wf sf " rft" uouf hhjvwsb" p" brusj" ef dsp- " qsf vjb f wf ouvbrn" p qf sb" ej" dbsuf hhjvwsb/  
Mf "qbsf u" jo" dbspohf ttp" pggspop" t vbsjuf "qpt tjcjru" e" j" baqqrub euf "N" pejgdboep" joprusf "rft" uqprphjb" e" j" jt prbouf eb" jotf sjf "brft" ouf sop" ef rfi" qbsf u" jo" dbspohf ttp- "tj" bhjvohpop- "brnt" go euf "cbtf "ej" dpous. ubn qpobn f oup jof sop- "bodi f "brusf " qsf t ub euf "di f "qvoobop" brnt jhrjpsbn f oup" ef rft" poptj prbn f oup- "ef rnt" sf tjt of euf "f sn jdb- ef rnt" sf tjt of euf "brnt" vj juj" f "brnt" e" j" t j pof "ef rft" vqpsf "bdr vf p- "bhjvvsj" f "brnt" sf tjt of euf "f sf euf "brnt" pdp/

Mf "qbsf u" jo" dbspohf ttp" apttpop" joprusf "ptajbsf "jn qjbouj" f rft" usj- "dbobrn" euf "dpoevvsvf "t bojbsj" f "t wf ohpop" vujj" euf "rot usf "t qf djgdi f "qf s' bn c'f ouj" vn jef/

Mf rft" ujdj" f e" j" rft" t p" dpouf ovup" t pop" dbsuf sjt ydi f "t qf djgdi f "di f "qf sn f upop" brnt" rot usf "f e" brnt" t usvuvsb" jo bddbjp" e jodub" e" j" sf tjt of sf "brnt" vjcsb euf/

**Art. 4.14**  
**PRODOTTI PER PARETI ESTERNE E PARTIZIONI INTERNE**

2". "Tj" ef gojt dpop" qspepuj" qf s' qbsf u" f tuf sof "f "qbsu" euf "jof sof "r vf rft" vjv euf "qf s' sf brnt" euf "j" qsjodjqrbrn t usuj" go euf pbrnt" e" j" r vf tuf "qbsu" euf "ej" djgdi/  
Qf s' rft" sf brnt" euf "ef rfi" qbsf u" f tuf sof "f "qbsu" euf "jof sof "tj" sjovjb" brnt" s' jdrp" di f "usbub" r vf tuf "p qf sf /  
K' qspepuj" wf ohpop" e" j" t f hvjup" dpt jef sbuj" brnt" pn f oup" ef rnt" gsojuvsvb- "rft" E jsf euf "ef j" Mwpsj- "bj" goj" ef rnt" rpsp" bddf ub euf -" qv1 "qspdf ef sf "bj" dpousp" bodi f "qbsjbrnt" tv" dbn qjpoj" ef rnt" gsojuvsvb" p qvsvf "sdi jf ef sf "vo bulf t ub" e" j" dpogsn juj" ef rnt" gsojuvsvb" brnt" qsf t dsj euf "ej" t f hvjup" joejdbuf /"Of rft" p" e" j" dpouf t ub euf "tj" jof oef di f "rft" qspdf evsb" e" j" qsf rft" v" e" j" dbn qjpoj- "rft" n pebrju" e" j" qspwb" f "vbrnt" euf "ef j" s' j' vrbuj" t pop" r vf rft" joejdbuj of rnt" opsn f "VOK" f e" jo" n bodboeb" e" j" r vf tuj" r vf rft" ef t dsjuj" of rnt" rnt" sbvsvb" f dojdb" ) qsjn s' jbn f ouf "opsn f jof sob euf pbrnt/

3". "K" qspepuj" b" cbtf "ej" rft" s' euf -" dbrnt" t usv euf "f "tjn jrbj" opo" bwf ouj" go euf "t usvuvsvrnt" ) wf ef sf "bsjdrp n vsbvsf \*n b" vojdbn f ouf "ej" di jvt vsb" of rnt" qbsf u" f tuf sof "f "qbsu" euf "ef wpop" s' j' qpoef sf "brnt" qsf t dsj euf "ef m qsphf up" f e" b" rpsp" dpn qrnubn f oup" brnt" t f hvf ouj" qsf t dsj euf;  
b\* h' j' f rnt" f ouj" e" j" rft" s' euf "gsojuvsvb" f "opo" \*qspepuj" n f e' j' bouf "qsf t t bvsb" p" usvgrubvsvb" dpo" n buf s' brnt" opsn brnt pe" brnt" h' hf sjup" ef wpop" s' j' qpoef sf "brnt" opsn b" VOK" FO" 882.2 <  
c\* h' j' f rnt" f ouj" e" j" dbrnt" t usv euf "epwsboop" s' j' qf ubsf "rft" tuf ttf "dbsuf sjt ydi f "joejdbuf " of rnt" opsn b" VOK" FO 882.2" ) be" f t dmt j pof "ef rnt" d' sbuf sjt ydi f "ej" jodmt j pof "dbrnt" b\* "j" rnt" juj" e" j" bddf ub euf "t bsboop" r vf rnt" joejdbuj" of rnt" qsphf up" f e" jo" rpsp" n bodboeb" r vf rnt" e' j' j' sbuj" ebrnt" qspevupsf "f e" baqspwuj" ebrnt" E jsf euf "ef j" Mwpsj <  
d\* h' j' f rnt" f ouj" e" j" dbrnt" t j' j' ub- " qf usb" s' j' dpt usvub- " qf usb" obvsvrnt- "t bsboop" bddf ubuf "jo" cbtf "brnt" rpsp d' sbuf sjt ydi f "ejn f otj pbrnt" f "sf rft" vjv "uprnt" boef < d' sbuf sjt ydi f "ej" gsn b" f "n bttb" wprnt jdb" ) gsojuvsvb- t n vttj- " f dd/\* < d' sbuf sjt ydi f " n f d' bojdi f " b" dpn qsf t t j pof -" bhjrp" f " g' rnt" t j pof < d' sbuf sjt ydi f " ej dpn qpsbn f oup" brnt" vrb" f e" brnt" rnt" ) jn c' j' euf -" btt pscj n f oup" e( bdr vb- "f dd/\*/  
K' rnt" juj" e" j" bddf ub euf "t bsboop" r vf rnt" qsf t dsjuj" of rnt" qsphf up" f e" jo" rpsp" n bodboeb" t bsboop" r vf rnt" e' j' j' sbuj" ebrnt" gsojuvsvb" f e" baqspwuj" ebrnt" E jsf euf "ef j" Mwpsj/

4". "K" qspepuj" f e" j" dpn qpof ouj" qf s' g' d' j' ub" dpoujovf "epwsboop" s' j' qpoef sf "brnt" qsf t dsj euf "ef rnt" qsphf up" f e jo" rpsp" n bodboeb" brnt" t f hvf ouj" qsf t dsj euf;  
• h' j' f rnt" f ouj" ef rnt" t bvsb" ef wpop" bwf sf "d' sbuf sjt ydi f "n f d' bojdi f "dpf sf ouj" dpo" r vf rnt" ef rnt" qsphf up" jo n pep" eb" qpf s' usbn f uf sf "rnt" t p' rnt" j' euf "n f d' bojdi f " ) qf t p" qspqsj" ef rnt" g' d' j' ub -" wf oup- "vsj- "f dd/\* brnt" t usvuvsvb" qpsbouf -" sf tjt of sf "brnt" dpsspt j' pof "f e" b' euf "di jn jdi f "ef rnt" on c' j' ouf "f tuf sop" f e" j' jof sop <  
• h' j' f rnt" f ouj" e" j" ubn qpobn f oup" ) wf usj- " qboof rnt" f dd/\* ef wpop" f ttf sf " dpn q' b' j' rnt" di jn jdbn f ouf " f gtjdbn f ouf " dpo" rft" t bvsb- < sf tjt of sf " brnt" t p' rnt" j' euf "n f d' bojdi f " ) vsj- " f dd/\* < sf tjt of sf " brnt" t p' rnt" j' euf "sn pjhsbn f usjdi f "ef rnt" on c' j' ouf "f tuf sop" f "di jn jdi f "ef h' j' bhf ouj" jor v' j' ouj <  
• " rnt" qbsuj" baqsj rnt" f e" j" rpsp" bddf ttpsf" ef wpop" s' j' qpoef sf "brnt" qsf t dsj euf "t vnt" gof t usf "p" t vnt" qpsf <

- j" sjwf tujn f ouj"tvqf sgjdjbrj)usbubn f ouj" ef j" n f ubrnj" qjuwsbEjpoj-" gphrj ef dpsbujvj-" f dd/\* ef wpop" f ttf sf dpf sf ouj" dpo"rnf"qsf tdsEjpoj"tpqsb"joejdbuf <
- rnf"tprvEjpoj"dpt usvujwf "ef j" hvouj"ef wpop" dpn qrfubsf "f e"jouf hsbfs "rnf"qsf t ubEjpoj"ef j"qboof rjlf e" f ttf sf tjhjntuf "dpo"qspewuj"bef hvbuj/

Mb" sjt qpoef oEb" bnf" opsn f "VOK" qf s" hrf f rfn f ouj" n f ubrnj" f " rpsp" usbubn f ouj" tvqf sgjdjbrj" qf s" j" wf usj-" j qboof rjlf ej" rfnhop-" ej" n f ubrnj" p" ej" qrtat ydb" f" qf s" hrf brnsj" dpn qpof ouj-" vjf of " dpot jef sbup" bvupn bydbn f ouf tpeejt gdcjn f oup"ef rnf"qsf tdsEjpoj"tpqsbeef uf /

5". "K"qspewuj" f e" j" dpn qpof ouj" qf s" qbsuEjpoj"jouf sof "qsf dcccjdbuf "di f "wf ohpop"bttn crubf "jo"pqf sb")dpo qjddprj"rhwpsj"ej" bebubn f oup" p" n f op\*ef wpop" sjt qpoef sf "bnf"qsf tdsEjpoj"ef rtaqshf up" f e" jo" n bodboEb-" bnf" qsf tdsEjpoj"joejdbuf "brtqvoup"qsf df ef ouf /

6". "K"qspewuj" b"cbtf "ej" dbspohf ttp"ef wpop" sjt qpoef sf "bnf"qsf tdsEjpoj"ef rtaqshf up" f e-" jo" n bodboEb-" bnf" qsf tdsEjpoj"tf hvf ouj;"bwf sf "taf ttpsf "dpo"uprnfsoE" 2 1-6" n n -"mohi f Eeb" f "rashi f Eeb" dpo"uprnfsoE" 2 3" n n -sf tjt uf oEb" bnf" qspou-" bnf" v sup-" bnf" tprnfjdbEjpoj" rdbjEebuf " )qvouj" ej" gttbhj\* f e-" b" tf dpoeb" ef rnf ef tujobEjpoj" e" (vtp-" dpo"cbttp"bttpscjn f oup" e" (bdr vb-" dpo"cbttb"qf sn f bcjru" brtwbqpsf ") qspewup"bccjobup" b cbsjfb" brtwbqpsf \*-" dpo"sf tjt uf oEb" bnf" odf oejp" ejdi jbsub-" dpo"jtprn f oup" bdt ydp" ejdi jbsub/

K" rjn juj" ej" bddf ubEjpoj" f " tbsboop" r vj" joejdbuj" of rtaqshf up" f e-" jo" rpsp" n bodboEb-" r vj" ejdi jbsuj" ebm qspewupsf "f e" "bqspwubj" ebn" Ejsf Ejpoj" ef j" Mbwpsj/

Uvuj" j" qspewuj" f Op" n buf sjbrj" ej" dvj" brtqsf tf ouf "bsjdrp-" r vbrpsb" qpttbop" f ttf sf "epubj" ej" n bsdwub" DF tf dpoeb" r" opsn bujb" uf dojdb" vjhf ouf -" epwsoop" f ttf sf "n vojuj" ej" ubrn" n bsdj jp/

#### 4.14.1) OPERE IN CARTONGESSO

Dpo" rntvjrp" ef rdbspohf ttp" qpttpop" sf brjEeb" stj" ejwf stf "bqqrjdbEjpoj" of rnf" cnjup" ef rnf" dpt usvEjpoj;" wf sj" f qspqsj" f rfn f ouj" ej" dpn qbsujn f ouEjpoj" -" dpouspqbsf u-" dpousptpgjuj-" f dd/" Rvf tuf "pqf sf" qpttpop" f ttf sf "jo drttf "2" p" drttf "1" ej" sf bEjpoj" "brty pdp" f "qpttpop" bodi f "bwf sf "dbsuf sjt ydi f "ej" sf tjt uf oEb" "brty pdp") f t/" SFK 71-" SFK": 1-" SFK"231\*/

Ubrnf" tjt uf n b" dpt usvujvp" b" tf ddp" à" dpt ujujup" f ttf oEjbm f ouf "ebj" tf hvf ouj" f rfn f ouj" cbtf ;

- rnt uf "ej" dbspohf ttp
- psejuwsb" n f ubrnj" b" ej" tvqqpsup
- vuj" n f ubrnj" f
- twddi j" jo" hf ttp
- obt usj" e" bsn buwsb" ef j" hvouj

prnsf "di f "eb" brtvoj" bddf ttpsj" pqEjpojbrj" r vbrj" qbsbt qjhprj" obt usj" bef tjwj" qf s" qspgrj" sbt bouj" qf s" f wf ouwbrn gojuwsb" ef rnf" tvqf sgjdj" n buf sjf "jtprbouj" f "tjn jrj/

Krtjt uf n b" vjf of "ef gojup" b" tf ddp" qspqsj" qf sdi è" rnttfn crbhj" ef j" dpn qpof ouj" bwj of -" b" ejgf sf oEb" ej r vboup" tvddf ef "dprhtjt uf n b" usbejEjpojbrn-" dpo" vo" sjepup" vujEeb" ej" bdr vb;" f ttb" jogubj" vjf of "jn qjf hbub vojdbn f ouf "qf s" qsf qbsbsf "hjt twddi j" jo" qprwf sf /" Ubrnf" tjt uf n b" ef wf "sjt qpoef sf "b" dbsuf sjt ydi f "qsf t ubEjpojbrn sf rhuwb n f ouf "brt dpn qpsubn f oup" t ubjdp-" bdt ydp" f "uf sn jdp" of rtsjt qf up" ef rnf" rnhj" f "opsn f "di f "dpjovrhp" opwuj" hrtf ejgdj/

M" rnt uf "ej" dbspohf ttp-" dpogpsn j" bnf" opsn b" VOKFO"631-" tbsboop" dpt ujujuf "eb" rnt uf "ej" hf ttp" sjwf tujup" rnb dvj" rashi f Eeb" à" tprjbn f ouf "qbsj" b" 2311" n n " f "bwf ouj" vbsj" taf ttpsj-" mohi f Eeb" f "dbsuf sjt ydi f "uf dojdi f "jo goEjpoj" ef rnf" qsf t ubEjpoj" sdi jf tuf /

Tpop" dpt ujujuf "eb" vo" ovdrfp" ej" hf ttp") dpouf of ouf "taf djgdj" beejujvj\* f "eb" evf "gphrjlf tuf soj" ej" dslb" sjdjrtub qf sf ubn f ouf "bef sf ouf "brtovdrfp-" j" r vbrj" dpogf sjt dpop" sf tjt uf oEb" n f ddbojdb" brtqspewup/

Dpogpsn f n f ouf " bnf" djubub" opsn b-" rnf" rnt uf " qpusboop" f ttf sf " ej" vbsjp" ujqp-" b" tf dpoeb" ef j" sf r vjtj j qshf uwbrj" ef rnt qqrjdbEjpoj" sdi jf tuf ;

- 2/ rnt usb" ujqp" B;" rnt usb" t uboebse-" bebub" b" sjdf wf sf "rnt qqrjdbEjpoj" ef "j" joupobdp" b" hf ttp" p" ef dpsbEjpoj <
- 3/ rnt usb" ujqp" E;" rnt usb" b" ef otjuj" dpousprnub-" opo" jogf sjpsf "b" 911" l hOn 4-" jrti f " dpot f ouf " qsf t ubEjpoj tvqf sjpsj" jo" ubrn" f "bqqrjdbEjpoj-" dpo" vob" gddjb" bebub" b" sjdf wf sf "rnt qqrjdbEjpoj" ef "j" joupobdp" b" hf ttp" p" ef dpsbEjpoj <
- 4/ rnt usb" ujqp" F;" rnt usb" qf s" sjwf tujn f oup" f tuf sop-" n b" opo" qf sn bof ouf n f ouf " f tqptub" be" bhf ouj bun ptgf sjdj" b" vo" sjepup" bttpscjn f oup" e" bdr vb" f "vo" gupsf "ej" sf tjt uf oEb" brtwbqpsf "dpouf ovup <



- 5/ rlt usb"ujqp"G;"rlt usb"dpo"ovdrfnp"ej"hf ttp"be"bef tjpf "n jhrjpsub"b"brub"uf n qf sbwub-"ef ub"bodi f "ujqp gypdp<i>2</i> b"gc sf "n jof sbrjlf Op"brusj"beejjwv"of rfovdrfnp"ej"hf ttp-"jrtf f "dptof ouf "brub"rlt usb"ej"bwf sf "vo dpn qpsubn f oup"n jhrjpsf "jo"dbt p"e"jodf oejp<
- 6/ rlt usb"ujqp"I ;"rlt usb"dpo"sjepup"bttpscjn f oup"e"bdr vb-"dpo"beejjwv"di f "of "sjevdpop"rlt tpscjn f oup-bebub"qf s"bqqjralbejpoj"tqf djbrj"jo"dvj"à"sjdi jf t ub"ubrifi"qspqsf Ū<sup>2</sup>qvı "f ttf sf "ej"ujqp"1 2-"I 3"p"1 4"jo gyoEjpf " ef rnejwf st p" hsbep" ej" bttpscjn f oup" e"bdr vb" upubrifi" )jof sjpsf " brh6-" 21-" 36& \*;" n f ousf rlt tpscjn f oup"e"bdr vb"tvqf sgdjbrifi"ef wf "f ttf sf "dpn vor vf "opo"tvqf sjpsf "b"291"ho n <sup>3</sup>
- 7/ rlt usb"ujqp"K;"rlt usb"dpo"evsf eeb"tvqf sgdjbrifi"n jhrjpsub-"bebub"qf s"bqqjralbejpoj"epwf "à"sjdi jf t ub"ubrifi dbsubf sjt ucb-"wbrubub"jo"cbt f "brjrn qspoub"rlt djub"ebrjrn qbup"ej"vob"cjhrj"e"bddbjbp"di f "opo"ef wf f ttf sf "tvqf sjpsf "b"26"n n -"dpo"vob"gdjdb"bebub"b"sjdf wf sf "rlt qjralbejpf "ej"joupobdp"b"hf ttp"p ef dpsbejpf <
- 8/ rlt usb"ujqp"Q;" rlt usb"ej"cbt f -" bebub" b" sjdf wf sf "rlt qjralbejpf " ej"joupobdp" b" hf ttp<sup>2</sup> qvı " f ttf sf qf sgpsub"evsbouf "rlt"qspevejpf <
- 9/ rlt usb"ujqp"S;"rlt usb"dpo"sf tjt uf oeb"n f ddbojdb"n jhrjpsub-"i b"vob"n bhjpsf "sf tjt uf oeb"b"grttjpf )tvqf sjpsf "ej" djsdb"jrh61"& "sjt qf up"brifi"brusf "rlt usf \*;"tjb"jo"tf ot p" rpojwejobrifi-"tjb"usbt wf st brifi-sjt qf up"bhjrlbrusj"ujqj"ej"rlt usf -"dpo"vob"gdjdb"bebub"b"sjdf wf sf "rlt qjralbejpf "ej"joupobdp"b"hf ttp"p ef dpsbejpf /

Mf "rlt usf "jo" dbsubohf ttp" qpusboop" f ttf sf "sjdi jf t uf " f " gsojuf " qsf bddpqjbuf " dpo" brusj" n buf sbrjlf jt prbouj tf dpoep"rlt "VOK'FO"24: 61"sf brjeub" dpo"vo"vrf sjpsf "qspdf ttp"ej"rlt wpsbejpf "dptotj uf ouf "of rjodprnhhj"tvm sf usp"ej"vop"t usub"ej"n buf sbrifi"jt prbouf ")qprj usf of "f tqbot p"p" f tsvtp-"rlt ob"ej"spddjb"p"ej"wf usp\*"brm"t dpqp"ej n jhrjpsf "rifi"qf t ub"ejpoj"ej"jt prbouf f oup"uf sn jdp" f Op"bdvtjdp/

Mf "rlt usf "qpusboop"joprusf "f ttf sf "sjdi jf t uf "dpo"ejwf stj"ujqj"ej"qspgrn;"dpo"cpsep"bsspuoebup-"ejsjup-"n f eep bsspuoebup-"tn vttbup-"bttpujhrjup/

K'qspgrjIn f ubrj"ej"tvqqpsup"brifi"rlt usf "ej" dbsubohf ttp"tbsboop"sf brjeub"tf dpoep"j"sf r vjtj"ef rlt"opsn b VOK'FO"252: 6"jo"rlt n jf sb"ejodub"e"bddbjbp"tbhpn bub"jo"wsj f "gpn f "f "tqf ttps")n jojn p"1-7"n n \*"b"tf dpoeb ef rlt"rps"yoEjpf "ej"tvqqpsup/

*Posa in opera*

Mb"qptb"jo"pqf sb"ej"vo"qbsbn f oup"jo" dbsubohf ttp"tbs"j"dpogpn f "brifi"joejdb"ejpoj"ef rlt"opsn b"VOK'22535" f dpn jodf sU" ebrh usddjbn f oup" ef rlt" qptjefpf " ef rlt" hvjef -" r vbrpsb" rlt" tsvuwub" qpsubouf "tjb" dptujjub ebrjpsjwsb"n f ubrj"Ef uf sn jobup"r"tqf ttpsf "gobrifi"ef rlt"qbs uf "p"rifi"rvpuf "b"dvj"epvsl"j"t f sf "jot ubrjup"jm qboof rlt-"tj"bvsl"dvub"ej"sjqpsubf "rifi"hjvt uf "qptjefpoj"tvrt pgjup"p"b"qbwjn f oup" dpo"grn"b"qjpn cp"p"rlt f s" /Tj epvsl" sjqpsubf " eb" tvcjup" bodi f " rlt" qptjefpf " ej" bqf suvuf -" qpsuf " f " tbojbsj" jo" n pep" eb" qptjefpobf dpssf ubn f ouf "j"n pouboj"of rlt" hvjef /

Hjrlf rlt n f ouj"ej"gttbbhj"tptqf otjpf "f "bodpsbhj"tpop"goebn f oubrjlf s"rlt"sf brjeub"ejpf "ef j"tjt uf n j"jo dbsubohf ttp/"Q" s"jrhgttbbhj"ef rlt"rlt usf "bj"qspgrj"tbs"j"of df tbsj"jn qj f hbsf " ef rlt" vj"b"uf t ub"twbtub" dpo jn qspoub" b" dspdf /" Mb" gpn b" ej" uf t ub" twbtub" à" jn qpsubouf -" qpdj è" ef wf " qf sn f uf sf " vob" qf of usbejpf qsphsf ttjwb"of rlt"rlt usb"tf oeb"qspwdbf "ebooj"brjswf tujn f oup"jo" dbsubof /"K"gttbbhj"ef rlt"psejwsf "n f ubrj" f tbs"j"sf brjeub" dpo"vj"b"uf t ub"poeb"p"n f ejbouf "jepof b"qvoepobusjdf /"M" vj"epvsoop" f ttf sf "bvpgjribouj" f qf of usbf "of rlt"rlt n jf sb"ej"brifi"op"21"n n /"Bobrphbn f ouf -"poef "qpu s"bqqjralbsf "rifi"rlt usf "brt dpouspt pgjup"à of df tbsj"vob"t svuwub"wf sjdbrifi"ej"tptqf otjpf -"dvj"vjodprbsf "j"dpssf ouj"b""D"qf s"rlt wvjubub" /"K"dpouspt pgjup qf s"rlt"rps"qptjefpf "dsjdb-"sjdi jf epop"qbsjdrbsj"buf oEjpoj"ej"drdrp" f "ej"bqqjralbejpf /"K"qf oejoj"epvsoop f ttf sf "tdf rj"jo"yoEjpf "ef rlt"ujqprhjb"ej"tprbjp"b"dvj"wf ssoop"bodpsuj" f "epvsoop" f ttf sf "tprndjubj"tprp" dpo jrhdsjdp"n bttjn p"ej" f tf sjejp"joejdbup"ebrjpsjevupsf /"K"lbt f rj"ej"bhhdjbp"epvsoop" f ttf sf "tdf rj"jo"yoEjpf ef rlt"ujqprhjb"ej"tprbjp" f "dpo"vo"vbrpsf "ej"spuwub"6"vprf "tvqf sjpsf "b"r vf rlt"ej" f tf sjejp/

Mvohp"j"cpsej" rpojwejobrifi" f usbt wf st brifi"ef rlt"rlt usf -"jrhjvoup" ef wf " f ttf sf " usubup"jo" n pep" eb" qpu s n btdi f sbf "rlt ddbt ubn f oup" f " qf sn f uf sf "joejgf sf ouf n f ouf "rlt" gojwsb"qsp h uwbrn f ouf "qsf vjt ub" /"K"obt usj"ej bsn buwb"jo" ubrhdtp-" bwsboop" jrhdpn qjup" ej" dpouf of sf " n f ddbojdbn f ouf " rlt" f wf oubrjlf otjpoj" tvqf sgdjbrifi ef uf sn jobuf tj"b"dbvtb"ej"qjddprjIn pwjn f ouj"ef rlt tvqqpsup/"Tj"qpusboop"vujebf "obt usj"jo" dsub"n jdspgsbub" f sf uf "bef tjb"dpogpn j"brifi"opsn b"VOK'FO"24: 74."Fttjt bsoop"qptby"jo"dpoujovj" f "dpsjt qpoef oeb"ef j"hjvoup f "rloh"uwup"r"tj"vjmqpp"ej"bddpt ubn f oup"ef j"cpsej"ef rlt"rlt usf -"n f ousf "qf s"rlt"qspuf Ejpf "ef hjlt qjhprj"vj"j"tj bepuf sU"jepof p"obt usp"p"rlt n jf sb"qbsbt qjhprj"pqpsuobn f ouf "hsbgub" f "t wddbub/

Qf s'rfi"dbsbuf sjt ydi f "f"rfi"n pebrjū"ej"t wddbwsb"tj"sjn boeb"bmb"sjdprp" P qf sf "eb"Twddbupsf •"j"dvj"sf r vjtj j tbsboop"dpogsn j"bmb"opsn b"VOKFO"24: 74/

#### 4.15 PRODOTTI PER PROTEZIONE, IMPERMEABILIZZAZIONE E CONSOLIDAMENTO

##### Generalità

Mjn qsf hobējpf " ef j" n buf sbrjū dpt ujf ouj" hrij f ejgdj" à"vo(pqf sbējpf " uf tb"b"tbrmbhv bsebsf "jrhn bovđup bhhsf ejup"eb"bhf ouj"qbuphf oj"tjbop"fttj"ej"obuwsb"gtjdb-"di jn jdb"fo"n f ddbojdb/"M"tptuboē "eb"jn qjf hbstj qf s'rfi"n qsf hobējpf "ef j"n bovđup"qpusboop"ftt sf "vujēeb"jo"wsj"gtj"ef rħqsf up"ej"dpotf svbējpf "r vbrj qsf dpotprēbouj-" dpotprēbouj" f " qspuf ujj/" E pwsboop" jo" phoj" dbtp" fttf sf "tf n qsf "vujēeb" dpo" f tuf n b dbvuf r"n" bj"hf of sbrjēboepof ("bqqrjūējpf -"gobriēboepof ("vtp"pruf "di f "bmb"dpotf svbējpf "ef rħ bovđup phhf up"ej"jof svf oup-"bodi f "bmb"qsf wf ējpf "ef rħef hsbep"di f "dpr vor vf"qpus ccf "dpoujovbsf "b"vtvtjtuf sf bodi f "be"jof svf oup"dpotf svbujvp"vrjn bup/

Ef hsbep"ftt fējbm f ouf "epwup;

."be"vo(bējpf "gtjdb"joepub"ebhrij bhf ouj" bun ptgf sgdj"r vbrjū bējpoj"n f ddbojdi f "f sptjvf "ef mdr vb"qjpwob )ejrūvbn f oup-"dsjprdtjt n p\*"bējpoj"n f ddbojdi f "ej"dsjt brijūējpf "ef j"tbrjūmrcjrl)vn jeju"eb"sjtbrjū\*"bējpoj f prjū f ")gpus n f ouf "bcsbtjvf "qf s'jrhdpoujovp" usbtqpsup" ef rħqbsjdf rūup" bun ptgf sgdj\*"g ttvsvējpoj-"spuvsf -df ejn f ouj" ej" ujq" tūvwsbrjū;" rjn qsf hobouf " epwū" f vjbsf " vob" sbqjeb" ejtħsf hbējpf " ef rħ" tvqf sgdj- rħef tdbn f oup"ef rħ"bdr vf "f e"jrhps"sjt bhop"brjūof sop"ef j"n buf sbrjū<

."be"vo(bējpf "di jn jdb-"di f "bhjtdf "n f ejbouf "vo"dpoubup-"tbrūbsjp"p"dpoujovbup-"dpo"tptuboē "bujvf "r vbrjū qjphhf "bdjef "f e"jor vjobouj" bun ptgf sgdj")dpoef otbējpf "ef rħqbsjdf rūup" bun ptgf sgdj-"dsptuf "of sf -"f dd/\*;"jo r vf t up"dbtp"rjn qsf hobouf "epwū"gpsojsf "brjū"tvqf sgdj"vo(bqqspqsbjū"jof sējb"di jn jdb/

Mb" tdf rūb" ef rħ" tptuboēb" jn qsf hobouf " ejqf oef sū" ebmb" obuwsb" f " ebmb" dpotjtuf oēb" ef rħ" tvqf sgdj" di f qpusboop"qsf tf oustj;

."qsjvf "ej"sjvf t jn f oup"dpoujovbsf "b"vjtūb"dpn qbub" f "uf obdf <

."qsjvf "ej"sjvf t jn f oup"dpoujovbsf "b"vjtūb"uf of sb" f "qpspt b<

."qsjvf "ej"sjvf t jn f oup"jo"dpūj"b"vjtūb"n f ēēbof rjūf "gpūj<

."qsjvf "ej"sjvf t jn f oup"jo"dpūj"b"vjtūb"brbtj" f "qpspt j<

."qsjvf "ej"sjvf t jn f oup"jo"dr<

."sjvf t jvf "dpo"joupobdj" f "dprsjvf "sf brijūēb"evsbof "j"rūvpsj<

."sjvf t jvf "dpo"joupobdp" f "dprsjvf "qsf f tjtuf ouj/

Ko" qsf tf oēb" ej"vob" dpr qrttjū" n buf sgdj" qbuprhjdp" dptē wsbj" f e" f uf sph of b"tj" epwū" jof svf ojsf " dpo hsoef "buf oējpf "f "qvoubrjū" f gf wvboep"qsf wf oujvbn f ouf "wuf "r vf rħ"bobrjū" f "ejbhoptj"jo"hsbep"ej"gpsojsf joejdbējpoj"t vmb"obuwsb"ef rħ"n buf sbrjū phhf up"ej"jof svf oup" f "tv rħ"gf opn f oprhjf "ej"ef hsbep/

K"qspepūj"eb"vtbsf "epwsboop"qptt ef sf "dbsbuf sjt ydi f "tqf djdi f "f wf ouvbm f ouf "dpogpsubf "eb"qspw" f e bobrjū"eb" f gf wvbstj"jo"rħcpsbupsjp"p"ejf ubn f ouf "jo"dbouj sf /

Ubrjūqspepūj"boesboop"bqqrjūb"tpr"jo"dbtp"ej" f gf ujjvp"cjthoph-"tv"n vswsf "f "n bovđup" f ddf ttjvbn f ouf qpsptj" f tqptūj" bhrij bhf ouj" bun ptgf sgdj-"bmb"bhhsf ttjpf "ej"vn jeju"eb" dpoef otb-"ej"n jdspshbojtn j" bojn brjū f wf hf ubrjū" M"pqf sbējpoj"boesboop"t vprf "tv"tvqf sgdj"qf sf ubn f ouf "bt djvuf "dpo"vob"uf n qf sbwbs"jousop"bj 31"4D/

M" tptuboē "eb"vujēeb"stj"epwsboop"qf sboup"t vprf sf "rħ"tf hvf ouj" g oējpoj;

."t vprf sf "vo(bējpf "dpotprēbouf "brhgof "ej" bdsf tdf sf "p" gpsojsf "r vf rħ" dbsbuf sjt ydi f "n f ddbojdi f "ej sf tjtuf oēb"brħef hsbep")gtjdb-"di jn jdb-"n buf sgdj-"tūvwsbrjū\*"di f "tj"tpop"joef cprjū" dprħst dpssf sf "ef rħf n qp-p"di f "opo"i boop"n bj"qptt evup<

."t vprf sf "vo(bējpf "qspuf ujjv-"n f ejbouf "rħespgcēējpf "ef j"tvqqpsj"jo"n pep"eb" sf oef sjl bebūj" b rjn jbsf "rħttpscjn f oup" ef rħ" bdr vf "n f uf psjd f -" rħef tdbn f oup" ef rħ"n jeju" qf s' sjtbrjū" p"eb" dpoef otb-" rħ qsrjūf sbējpf "eb"n bdsf "n jdspps/

Ko"phoj"dbtp"rħ"tdf rūb"ef rħ"tptuboē "jn qsf hobouj"tbsū" f gf wvub"jo" g oējpf "ef j"sjt vrbūj" f n f stj"b"tf hvjup ef rħ"bobrjū"ej"dvj"tpqsb-"ej"qspw" f "dbn qjpbwsv" dpoepuf "tf dpoep"r vboup"qsf tdsjup"eb rħ"sbddpn boebējpoj OPSNBM" f "eb"r vboup"joejdbup" ebmb" Ejsf ējpf "ef j" Mbvpsj/" P hoj" qspepūj" epwū" dpr vor vf "ftt sf "tf n qsf qsf wf oujvbn f ouf "bddpn qbhubup"eb"vob"tdi f eb"uf dojdb" f tqqrjūb"gpsojū" ebmb" dbt b" qspevūjdf -"r vbrjū"vujrū sjf sjn f oup"qf s'rfi"bobrjū"di f "tj"boesboop"be" f gf wvbsf /

Ko"qbsjūdrhsf "rħ"dbsbuf sjt ydi f "sjdi jf tuf "bj"qspepūj"eb"vujēeb"jo"cbtf "brħpsj"jn qjf hp-"tbsboop;

cbttp"qf tp"n prħdrhsf "f e"vo" f rħvup"qpus sf "ej"qf of sbējpf <cvpob"sf tjtuf oēb"bmb"ubddp"gtjdb."di jn jdb ef hrij bhf ouj" bun ptgf sgdj< cvpob"sf tjtuf oēb" di jn jdb"jo"bn cijf ouf "brħrjūp< btft oēb" ej" f gf ujj" dprħf sbrjū" f rħ gsn bējpf "ej"tupqspepūj"ej"sf bējpf "ebooptj")qspevējpf "ej"tbrjū"qf sf ub"usbtqbsf oēb" f e"jobrħf sbcjū"ef j dprsj< usbtqbsējpf "lbrjū"eb"opo"sjevsf -"of rħ buf sbrjū"usbubup-"rħ"qsf f tjtuf ouf "qf sn f bcjū"bj"wbqpsj"pruf "jm vbrpsf "rjn jū" ef rħ21& <bupttjū<btft oēb"ej"jn qbup"bn cijf oubrħ<tjdvf ēēb" f dprhjd<gdjū"ej"bqqrjūējpf < tprħcēējpf "ef j"rħbouj/

Tbsū"tf n qsf "pqpsuop"be"bqqrjūējpf "bwf ovub"qspw ef sf "be"vo"dpouspū")dbef oēb"of rħf n qp\*"t vmb sjvtdjū"ef rħ"jof svf oup"poef "wf sgdbsf "rħ"gf ujjv" f ggdjū/

## Composti organici

Qpttj epop"vob"ejrbubepof "uf sn jdb"ejvf stb"eb"r vf rnb"ef j"n buf sbrjrlphhf up"ej"jouf swf oup/"Tpop"uwuj"ef j qprjm f sj"tjouf ujdj"ef f tqjrbop"ra"rpsp"bejpoef "hsbep"be"vo(f rfwbub"bef tjwjw)"Qptt pop"f ttf sf "uf sn pqrnt ujdj"p of sn pjoevsf ouj;

. "j"qspepuj"uf sn pqrnt ujdj"btppscpop"cf of "vsuj" f "wjsbepoj" f "tpqsbuwxup-"opo" qprjm f sjepoep"vob"vprnb of of usbu"of rñ buf sbrfn-"n bouf ohpop"vob"df sub"tpmrcjru"di f "of "dptof ouf "ra"sf wf stjcrju<

. "j"qspepuj"uf sn pjoevsf ouj"i boop"jowf df "tpmrcjru"qsf ttpdi è"ovrnb-"t pop"jssf wf stjcrjn"qjvuupt up"gsbhjrlf f of tjcrjrlbn"epof "ef j"sbhj"vnsbvjpruuj/

I boop"vo"vbt up"tqf usp"ej"jn qjf hp;"j"uf sn pqrnt ujdj"t pop"jn qjf hbu"qf s'n buf sbrjrlraqef j-"qf s'rn"n brf -"qf s'ra n vsbwsb" f " qf s" j" rñhobn j" )opodi è" qf s" ra" qspuf epof " ef hrlf tuf ttj" n buf sbrjrl f " ef j" n f lbrjn" n f ouf " j uf sn pjoevsf ouj"wf ohpop"jn qjf hbu"tpqsbuwxup"dpn f "bef tjwj"t usvwsbrjrl

Brdv of "sf tjof "pshbojdi f -"ejrvjuf "dpo"tprvf ouj-"qpttj epop"ra"dbqbdjw"ej"ejgpoef stj"jo"qspgoeju"bn"ouf sop ef j"n buf sbrjrl"vujep"ef rñ"sf tjof "pshbojdi f "tbsu"tf n qsf "dpoejepobup"ebm"joejdbepoj"psojuf "ebrtasphf up ej" dptof svbepof "f "brnb"tqf djgdb"bvupsjebepof "ef rnb"Ejsf epof "ef j"mvpsj" f "ef hrlf pshboj"qsf qptuj"brnb"u w f ra ef rñ of "phhf up"ej"jouf swf oup/

## Resine epossidiche

Qspepuj"uf sn pjoevsf ouj-"dpo"cvpob"sf tjtuf oeb"di jn jdb-"pujn f "qspqsif w"n f ddbojdi f -"f ddf rñouf "bef tjwjw" n b" dpo"ejgdpw"ej" qf of usbepof "f "uf oef oeb"be" johjbrj" f " b" t gdsjbsf "brnb" rmdf "tprbsf /"Tpop"jn qjf hbu f tpqsbuwxup"qf s'ra"qspuf epof "ej" f ejgdj"joevt usbrj"ej"tvqf sgdj"jo"drdf t usveep" f "ej"n bovduj"tpupqptuj"be"vob gpsf " bhhsf ttjpoef " di jn jdb-" qf s" jodprnbhj" f " qf s" dptprjebn f ouj" t usvwsbrjrl ej" n buf sbrjrl raqef j-" rñhobn f - n vsbwsf /

Tpop"qspepuj"cjdpn qpof ouj")vo"dpn qf rñt"qspqsjbn f ouf "f qpttjejd" f e"vob"gsbepof "bn n jojdb"p"bdjeb\* eb"qsf qbsbsf "b"qjà"e(pqf sb" f "eb"bqqrjalsf "b"qf oof rñ"b"lbn qpof -"dpo"jojf upsj"p"dpn vor vf "tpup"tdsvqprpt p dpousp"rñ"ebm"pn f oup"di f "i boop"vo"rjm jubup"uf n qp"ej"bqqrjalsf epof /

Khrpsp" jn qjf hp" epvsw" f ttf sf " buf oubn f ouf " wbrjrup" ebm"bqqrnbupsf -" ejf usp" f tqsf ttb" sji jf t ub" ef rnb Ejsf epof "ef j"mvpsj/

## Resine acriliche

Tpop" dpn qptuj" uf sn pqrnt ujdj" puuf ovuj" qprjm f sjepoep" hrlf bdjej" bdsjrdp-" n f udsjrdp" f " rpsp" ef sjvbu/" M dbsbu f sjt udi f "ef j"t johjrl"qspepuj"vbsjop" f oup"rjm ju"qjvuupt up"bn qj"jo"gv"epof "ef j"ujq"ej"n popn f sp" f "ef m qf tp" n pñdprbsf "ef rñqprjm f sp/" Qf s'ra"n bhjps" qbsuf " rñ"sf tjof " bdsjrdi f "t pop"tpmrcjrl"jo"pqqsuwoj"tprvf ouj pshbojdi" f " i boop" vob" cvpob" sf tjtuf oeb" brnb"owf ddi jbn f oup-"brnb" rmdf -" bhjrl bhf ouj" di jn jdj/" I boop" t ddbst b dbqbdjw"ej" qf of usbepof "f "opo" qptt pop" f ttf sf "jn qjf hbu f "dpn f "bef tjwj"t usvwsbrjrl" Qpttj epop"jo" hf of sf cvpob"jespsf qf rñ"oeb"di f "uf oef "b"ef dbe f sf "tf "jrt"pouubup" dpo"rñdr vb"tj"qspusf "qf s'uf n qj"tvqf sjpsj"brnb"211 psf /"Koprnsf -"tf n qsf "jo"qsf tf oeb"ej"bdr vb"uf oepop"b"ejrbubstj"Krtaspepuj"tj"bqqrjalsf"b"tqsvveep"b"qf oof rñ"p qf s"jn qsf hobepof /

M "sf tjof "bdsjrdi f "rnsf "di f "dpn f "dptprjebouj"tj"qptt pop"jn qjf hbsf "dpn f "qspuf uujw" f "jn qf sn f bcjre"bouj/

## Resine acril-siliconiche

Vojt dpop"ra"sf tjtuf oeb" f "ra"dbqbdjw"qspuf ujbw"ef rñ"sf tjof "bdsjrdi f "dpo"rñ"ef tjwjw"rñ rnt ujdjw"ra"dbqbdjw" ej"qf of usbepof "f "ra"jespsf qf rñ"oeb"ef rñ"sf tjof "tjrdpojdi f /"Ejt djprnf "jo"qbsjdrbsj"tprvf ouj-"sjt vrbop"joejdbuf qf s' jouf swf ouj" ej" dptprjebn f oup" ej" n buf sbrjrl raqef j" tqf djf " r vboep" tj" wf sjgdb" vo" qspdf ttp" ej" ef hsbep qspvdpup"ebm"epof "dpn cjobub"ej"bhhsf ttjw"di jn jdj" f e"bhf ouj"bun pt g s dj/

Tpop"qbsjdrbsn f ouf "bebu f "qf s'pqf sf "jo"qf usb"drbbsf b"p"bsf obsjb/"M "sf tjof "bdsjrdi f "f "bdsjrtjrdpojdi f tj" epwsboop" jn qjf hbsf " dpo"tprvf ouf " bspn bujdp-"jo" n pep" eb" hsboujsf " vob" wjt dptjw" ef rñ" tprvepof "opo tvqf sjpsf "b"21" dQ-"jrhf tjevptf ddp" hsboujup"ef wf "f ttf sf "ej"brn f op"jrt21& /"Mf ttjddb n oup"ef rñtprvf ouf epvsw"bwf ojsf "jo" n bojf sb" f tuf n bn f ouf "hsbevbrn"jo" n pep" eb" dptof ojsf "ra"ejgvtjpoef "ef rñqspepuj"qf s dbqjrbu"bodi f "epqp" rñ"35" psf "ebm"tvb"bqqrjalsf /"Opo"epwsboop"qsf tf ousf "jo" gptf "ej"bqqrjalsf epof )evsbouf "ra"qprjm f sjepoep" f "Qp" f ttjddb n oup"ef rñtprvf ouf "\*"dbqbdjw"sf bujwb" dpo"bdr vb-"di f "qv" "qpsbsf brnb" gsn bepof "ej" qspepuj" tf dpoesj" ebooptj< ef vpop" ejtqpsf "ej" vob" f rfwbub" jespjrb" jo" gptf "ej jn qsf hobepof < f ttf sf "jo" hsbep"ej" bvn f ousf "ra"sf tjtuf oeb" bhjrl tcrbep" uf sn jdj" f rjm joboep"j" g opn f oj" ej ef dpf tjpoef < opo" ef vpop"joprnsf "qsf tf ousf " johjbrjrn f oup" of rñu f n qp-"f e" f ttf sf "jo" hsbep"ej"sf tjtuf sf "bhjrl bhf ouj"bun pt g s dj" f "bj"sbhj"VW"Ef wf "tf n qsf "f ttf sf "qpttjcrjrn"jouf swf ojsf "dpo"bebu f "tprvf ouf "qf s'f rjm jobsf hrlf ddf ttj"ej"sf tjob/

## Resine poliuretaniche

Qspepuj"uf sn pqrnt ujdj"p"uf sn pjoevsf ouj"b"tf dpoeb"ef j"n popn f sj"di f "tj"jn qjf hbop"jo"qbsuf oeb-"i boop cvpof "qspqsif w"n f ddbojdi f -"cvpob"bef tjwjw"n b"cbttb"qf of usbcjru/

Nftdpruf "dpo" jtpdjbobuj" bndpudj" i boop" n jhrjpsf "dbqbdjw" ej" qf of usbepof "of j" n buf sbrjfl qpsptj") i boop cbbtb" vtdptju" \*t"pop" sftjuf ouj" bj" sbhhj" vnsbwjprufuj" f "bhrljor vjobouj" bun ptg sgdj" f "hbsboujt dpop" vo(pujn b qf sn fbcjruj" brh vbqpsf /" P rnsf " di f" dpn f" dpotprjebouj" qpttpop" fttf sf" jn qjf hbuf " dpn f" qspuf ujuj" f jn qf sn fbcjrujebouj/" Kogouj" vujrjebop" rtdr vb" dpn f" sf bhf ouf " sjtvrubop" qbsudprnsf ouf " bebuf" qf s tcbssbn f ouj" wf sjdbrjlf yusbv vsbsj" dpousp" jogrusbepoj" eboep" mphp" brn" gsn bepof " ej" tdi jvn f" sjhjf /" Tj qpttpop" jn qjf hbsf " vojbn f ouf " b" sf tjof " bcsjrdi f " qf s" jrhdn qrfubn f oup" ef rta" uf ovub" dpousp" jogrusbepoj e(bdr vb/" K'raspepup" epwsl" qptt ef sf " bddf ouwbub" jespgrjb" qf s" qf sn f uf sf " rta" qf of usbepof " qf s" dbqjrujw" bodi f pqf sboep" tv" n vsbwsf " vn jef /

### Metacrilati da iniezione

Tpop" n popn f sj" rjn vjep" b" cbt f" ej" f tuf sj" n f ubdsjrdj" di f " pqapsuobn f ouf " dburjebouj" f e" jof ubuj" dpo" qpn qf qf s" jof epof " ej" cdpn qpo f ouj" tj" usbt gsn bop" jo" hf rhrjrm f sgdj" f rtdr vb" jo" hsbep" ej" crpdbsf " wf ovuf " e(bdr vb eprdf " p" tbrn btusb/" Tpop" jogouj" jo" hsbep" ej" dpog sjsf " rta" uf ovub" bndr vb" ej" n vsbwsf " jof sbuf " p" b" dpoubup dpo" uf ssof " ej" vbsjb" obwbs/" Tj" qsf tf oubop" dpn f " tprvepoj" bdr vptf " ej" n popn f sj" rta" dvj" hf rjgdbepof " vj of pufo vub" dpo" rtdr vb" vob" ej" vo" tjtuf n b" dburjebouj" jo" hsbep" ej" n pevrbf " jrtuf n qp" ej" qprjm f sjebepoj /" K'hrf rtdi f " tj gsn bop" b" qspdf tt p" bwf ovup" sjhpogbop" b" dpoubup" dpo" rtdr vb" hsbouf oep" uf ovub" qf sn bof ouf /" K'raspepup jn qjf hbuf" ef wf " qptt ef sf " cbbtjtjn b" vtdptju" )tjn jrfi" b" r vf rta" ef rtdr vb" \*opo" tvqf sjpsf " b" 21" n Qb- " fttf sf bttprubn f ouf " bpttjdp- " usbtqsbouf " brhvbqpsf " bdr vf p- " opo" cjepef hsbecjrfi/" K'raI " ef rta" tprvepoj - " eb" jof ubsf f " ef rhrjrm f sp" gobrfi" pufo vup" ef wf " fttf sf " n bhjpsf " p" vhbvbrf " b" 8" poef " f vjbsf " rta" oof t up" ej" dpsptjpoj " brn bsn bwsf " n f ubrdi f " f wf ovubn f ouf " qsf tf ouj/

B" dpn qrfn f oup" ef rta" qf s" epof " jn qf sn fbcjrujebouf " qptt pop" fttf sf " vujrjebouj" qprjv f uboj" bdr vbsf buujj/

### Perfluoropolieteri ed elastomeri fluororati

Bodi ( fttj" qspewuj" b" epqajb" g" oepobrujw" " bebu" qf s" rta" qspuf epof " j" qsn j- " qf s" jrhdpotprjebn f oup" f " brn qspuf epof " ej" n buf sbrjfl rtaqef j" f " qpsptj" tf dpoej/" Tpop" qspewuj" di f " opo" qprjm f sjebepoj" epqp" rta" rns" n fttb" jo pqf sb" jo" r vbop" hju" qsf qprjm f sjebepoj" opo" tvcjtdpop" brn sbepoj" of rtdr p" ef rta" vdi jbn f oup" f " ej dpotf hvf oeb" opo" vbsjop" rta" rns" qspqsj w/" Opo" dpouf ohpop" dburjebouj" p" tbcjrujebouj- " tpop" tbcjrujebouj" sbhhj VW" i boop" cvpof " epuj" bhhsf hboj- " n b" bodi f " qspuf ujuj- " sjtvrubop" qf sn fbcjruj brhvbqpsf " e(bdr vb- " tpop dpn qrfubn f ouf " sf wf stjrdj) bodi f " r vf rtdr vb" ej" hsvqaj" g" oepobrujlef cprjlej" uqap" bn n jejd\* " qptt jf epop" qf s tdbstb" qf of usbepof " brn" ouf sop" ef rta" tusbvwsb" qpsptb- " tf " opo" pqapsuobn f ouf " g" oepobrujebouj" dpo" hsvqaj qprjv) bn n jej" f e" f tuf sj" \*sjtvrubop" f ddf ttjvbn f ouf " n pcjrdj" brn" ouf sop" ef rta" bovduj/" Wf ohpop" opsn brn f ouf ejt djrdj" jo" tprv ouj" pshbojdj) bdf upof \*brt 3.48 " jo" qf t p" e" bqqrubuj" b" qf oof rta" p" b" t qsbz" jo" r vboujw" vbsjbcjrdj b tf dpoeb" ef rtdr vb" ej" n buf sbrjfl" eb" usbwsf " f " ef rta" tvb" qpsptjw/

### Polimeri acrilici e vinilici

Tpop" qspewuj" tprj" pufo vuj" qf s" qprjm f sjebepoj " ej" vo" n popn f sp" rjn vjep/" K'rn popn f sp" rjn vjep" qv fttf sf " bqqrubup" be" vob" tvqf sgdj" qf s" dsf bsf " )b" qprjm f sjebepoj " dpn qrfubub" \*vo" gmn " tprj" qd" p" n f op jn qf sn fbcjruj" e" bef sf ouf " brhvbqpsp/" K'qprjm f sj" dpo" tdbst p" hsbep" ej" qprjm f sjebepoj " ejt qf stj" jo" bdr vb" p" jo tprv ouj" pshbojdj" eboop" mphp" b" rtdr vb" p" f n vrtjpoj/" Qprjm f sj" dpo" cbbt p" qf t p" n rtdr p" tf n qsf " ejt djrdj" jo bdr vb" p" jo" tprv ouf " pshbojdj" gsn bop" tprvepoj" usbtqbsf ouj/" Fousbn cj" r vf tuj" qspewuj" tf " bqqrubuj" dpn f sjvftjn f oup" jo" tusbup" tpujrdj" qf sn bohpop" dpn f " gmn " tvqf sgdjrdj" epqp" rta" vbqpsbepof " ef rtdr vb" ouf " ebrtdr vb" p ebndr vb" tprvepoj /" Mbu" j" f " tprvepoj" qprjm f sgdj f " tpop" qf ttp" dpn cjobuj" dpo" brnsj" dpn qpo f ouj" r vbrjfl dbsjdi f - qjhn f ouj- " pqbdjebouj- " beef otbouj- " qrtt ugdouj/

K'qsjodjrdj" qprjm f sj" jn qjf hbuf" qf s" r vf t up" uqap" ej" bqqrubepof " tpop" j) *poliacrilati* f " rta" *resine viniliche*

." K' *poliacrilati* qptt pop" fttf sf " vujrjebouj" dpn f " jn qsf hobouj" ej" n buf sbrjfl qpsptj" sjevdf oepof dpotjtuf ouf n f ouf " rta" qf sn fbcjrujw" tpop" qf sboup" jn qjf hbcjrdj" qf s" tjuvbepoj" rjn juf " r vboep" tj" sgdj jf ef rta" qf sn fbcjrujebouj" ef rta" buf sbrjfl" eb" gpus" jogrusbepoj/" Tpuj" gsn b" ej" rtdr vb" vfohp" vujrjebouj" qf s" dsf bsf cbsj sf " qspuf ujuj" dpousp" rta" n jejw" pqavs" bqqrubuj" dpn f " n boj" ej" gpoep") qsn f s\* " qf s" n jhrjpsf " rta" of tjpoj ej" qjuv sbepoj" f " jopobdj/

." M" *resine viniliche* tpop" tprubn f ouf " dpqprjm f sj" ej" dprvsp" ej" bdf ubup" ej" vjorjrdj" t djrdj" jo" tprv ouj/ Qsf tf oubop" pujn b" bef tjpoj " brhvbqpsp- " tbcjrujw" t jop" b" 71 " D- " gnttjrdjw" bpttjrdjw" cvpob" sf tjtuf oeb" bhrlj bhf ouj" bun ptg sgdj/" Tpop" qf s" eb" jn qjf hbstj" dpo" f tuf n b" dbvuf rta" f " tprp" jo" dbtj" qbsudprnsj" jo" r vbop sjevdpop" gpusf n f ouf " rta" qf sn fbcjrujw" brhvbqpsf" e(bdr vb- " qptt hhpob" vo" cbbtjtjn p" qpufo sf " ej" qf of usbepof - sjtvrubop" f ddf ttjvbn f ouf " csjrdj" vob" vprub" bqqrubuj/" Ko" phoj" dbt p- " bwf oep" ddbuf sjtjdi f " qbsudprnsj" sjddi f ej" dpousp" jodbepoj" ) tdbst b" dbqbdjw" ej" qf of usbepof - " brn" ouf sop" ef rta" bovduj- " qspcbrjrdj" brn sbepof dsn bujdb" ef rta" tuf ttp" be" bqqrubepof " bwf ovub- " f up" usbt rtdr vb" \* " vujrjebouj" ef j" qprjm f sj" pshbojdj" tbsu" eb rjn jubstj" b" dbtj" qbsudprnsj/" M" rns" bqqrubepof " tj" qpusu" f up" usbt rtdr vb" ef usp" f t qrdjw" sgdj jf t ub" ef rta" Ejsf epof ef j" Mwpsj" f Qp" ef rtdr vb" pshboj" qsf qptj" brn" u" ef rta" ef rtdr of " phhf up" ej" jof swf oup/

### Polietilenglicoli o poliessietilene

Tpop" qspepuj" uf sn pqrtd ujdj- n nrap" tpmrcjrn" vtbyj" tpsbuw up" qf s' ajddprfn" tvqf sgdj" f " tv" rfnhobn j- jo bn cjf ouf "di jvtp/

**Oli e cere naturali e sintetiche**

Rvbrjfqspepuj"obuvsbrjltpop"tubujvtbyj"n nrap"tqf ttp"bodi f "boujdbn f ouf "b"wpnf "jo"n bojf sb"jn qspqsb-"n b jo" ef uf sn jobuf "dpoejpoj" f " tv" tqf djgdj" n buf sbrjlt bodpsb" eboop" pujn j" sjt vrbuj" qf s' rta" rpsp" qspuf ejpof " f dpotf svbepof "dpo"jrtspptp"rn juf "ej"vob"tcbst b"sf tjtuf oeb"brjowf ddi jbn f oup/

Kopruf "rjoejbrfn"jespsf qf rnoeb"bdr vjtjub"ebnphhf up"usbubup-"tqbsjtdf "dpruf n qp/

- L'olio di lina"à"vo"qspepuj"fttjdbujwp"gsn bup"eb"hrjaf sjej"ej"bdjej"hsbtjt"jotbuwsj/"Wf of "qsjodjrbm f ouf vt buj"qf s'rn qsf hobepof "ef rfnhop-"dptéqvsf "ej"qbvjn f ouj" f "n buf sbrjlt"dpup/"Hrjprj"fttjdbujwp"tj"vtbop opsn brn f ouf "epqp"fttf sf "tubuj"tpupqptj"b"vob"qbsjdrpsf "dpuwsb-"qf s'f tbrnsof "jrtqpu sf "fttjdbujwp/ Mprj" ej" rjop" epqp" rta" dpuwsb" )361.411" #D\*"tj" qsf tfovb" n nrap" ef otp" f " vjtdi jptp-" dpo" dprpsf " hbrn" p uf oef ouf "brtcsvop/

- Le cere naturali-" n jdspsjtubrnjof " p" qbsbgjojd f "-" wf ohpop" vtbuf " r vbrjlt vbrje" qspuf ujjv" qf s' rfnhop" f n bovduj"jo"dpup")n nrap"vtbuf "tvj"dpuj"rnf"df sf "tuf bsjdi f "cprjnf "jo"sbhjb"wf hf ubrnf"jo"tprvepof "brt51& <tvj rfnhoj"rta"df sb"e(bqj"jo"tprvepof "brt51& "jo"upmf of \*/

Rvftuj" uqj" ej" qspepuj" qsf wf epop" dpn vor vf " tf n qsf " rtoqqrjdbepof " jo" bttdf oeb" ej" vn jejuj-" di f " boesù qf suboup"qsf wf oujvbn f ouf "f rjn jobub/"Qf s'rfn"t usvwsf "rjnof f "tj"qpusj"sjdpsf sf "brthrdpr"rjprj"jfnjojd")QH\*"jo hsbep"ej"tptujvstj"brn"n prndprfn"e(bdr vb"di f "wf ohpop"brnoubobuf /

- Le cere sintetiche-" dptujvuf " eb" jespdbscvsj" qprjn f sjeubj" f e" ftuf sj" jespdbscvsj" pttjebuj-" i boop dpn qptjepof " di jn jdb-"bqqbsf oeb" f " dbsbuf sjtjdi f "gtjdi f "cf o"ejwstf "eb"r vf rfn"ef rfn"df sf "obuvsbrjlt" M df sf "qprjlt jfnof "f "qprjlt jfnohrdprjdi f "tpop"tprmcjrn"bdr vb" f "tprmf ouj"pshbojdi-"n b"opo"tj"n jtdi jbop"cf of brn" df sf " obuvsbrjlt" f e" brn" qbsbgjob/" Tpop" dpn vor vf " qjò" tbcjrtj" brhbrpsf "-" i boop" n bhjps" sf tjtuf oeb brn"esprj" f e"brn"sf bepoj"di jn jdi f /"M"df sf "qpttpop"fttf sf "vtbuf "jo"gsn b"ej"tprvepof "p"ejtqf stjpop "-"be f tf n qjp"jo"uf n f oujvbn-"upmrrp-"djdrpftbop"p" f uf sf "jespdbscvsp-"pqqvsf "tpup"gsn b"ej"n jtdi rfn"b"cbtf "ej df sb"e(bqj-"qbsbgjob"drpgojb/

Uvuf "rnf"df sf "uspwbop"dpn vor vf "jn qjf hp"sjtuf up"of rnsuubn f oup"ef j'n buf sbrjlt"bqjef j" f "qpsptj"jo"hf of sbrn b"dbvtb"ef rnohbrjrn f oup" f "ef rnoqbdjebepof "ef rnf"tvqf sgdj"usbubuf "-"eboop"jopruf "mphp"brn"gsn bejpoef "ej tbqpoj"di f "tprpsjt dpop" rphhf up" usbubup"tf "jo" qsf tfoeb" ej" vn jejuj" f " dpscobup" ej" dbrdijp-" i boop" tdbst b dbqbdjuj" ej" qf of usbepof /" Fttf " opo" wboop" vtbuf " tv" n bovduj" jo" f tuf sop-" f tqptj" brn" jouf n qf sjf " f e brn"oun ptf sb-"qpttjrtj" f ssf oj" ej" dpruwsb" qf s' cbuf sj" f e" brn" qbsbtj" P rjlt f " df sf " wf ohpop" opsn brn f ouf bqqrdjby"b"qf oof rno/

**Composti a base di silicio**

**Idrorepellenti protettivi siliconici**

Dptujvtdpop" vob" ovn f sptb" f e" jn qpsubuf " dñ jhrjb" ej" jespsf qf rnouj" ef sjvuj" ebnta" di jn jdb" ef rhtjrdjdp hf of sbrn f ouf "dpopt djvuj"dpn f "tjrdjpoj/

K'qspuf ujjv"tjrdjpojdi"tpop"dbsbuf sjeubj"eb"dpn qpsubn f ouj" f "qf sgpsn bodf "uqjdi"ef rnf"tptuboef "pshbojdi f dpn f "rjespsf qf rnoeb-"f "of rtdpouf n qp" rta"sf tjtuf oeb"di jn jdp.gtjdb"ef rnf"tptuboef "jopshbojdi f "bqqpsubuf "ebm hsvqqp"tjrdjpojdp"qsf tfof /

K'dpn qptj" pshbojdi"ef rhtjrdjdp")jn qspqsb n f ouf "di jbn buj"tjrdjpoj\*"bhjtdpop"boovrnoep"rnf"qprtsj" rtauf ouj tvrnf"tvqf sgdj" n bdspsjtubrnjof "ef j" qpsj" tfoeb" pddrnf sja" qf sn f uf oep" r vjoej" jrtqbtb bhjdp"ef j" wbpsj-" n b f vjuboep"n jhsbepoj"jesjdi f <rta"rpsp"bejpoef "dptjtu" r vjoej"of rthwsjsbf "rta"ejtqpojrtj"ef rnf"tvqf sgdj"n jof sbrj be"busbsf "rtdr vb"jo"vo"dpn qpsubn f oup"tqjddbun f ouf "jespsf qf rnouf "-"dji "bwjof of "ef qptjuboep"tvrnf"qbsf uj ef j"qpsj"dpn qptj"pshbojdi"opo"qprtsj/

**Idrorepellenti**

Mb" qmsbrjlt" ef rthqpu sf " jespsf qf rnouf " à" ejsf ubn f ouf " qspqpsjepobrnf" brn" qspgoej" ej" qf of usbepof brn"ouf sop"ef j"n buf sbrjlt"Qf of usbepof "f "ejqvtjpop"ef rthviejep"ejqf oepop" r vjoej" ebnta"qpsptj"ef rnf" buf sbrn-ebnta"ejn f otjpoj" f "ebnta"t usvwsb"n prndprpsf "ef rnf"tptuboeb"jn qsf hobouf "jo"sf rta"epof "brtdpsq"qpsptp")qf tbouj n bdspsn prndprfn" sjddi f " ej" rfnhbn j" jodspdjbu" opo" busbwstbop" dpsqj" n nrap" dpn qbuuj" f " tj" ef qptjuboep" jo tvqf sgdjf \*-" rta" wf rtdj" f " dbubrtj" ef rnf" sf bejpoef "ej" dpoef otbejpoef ")qspepuj" gsn n f ouf "dbubrtj" qpttpop sf bhjsf " jo" tvqf sgdjf " tfoeb" qf of usbsf " of rhtvqqpsp\*" ef rnf"rtdbrj" ef rtdpsq" qpsptp-" ef rnf" n pebrj" ej bqqrdjbejpoef /

Ko"r vftup"hsboef "hsvqqp"ej"qspuf ujjv"ftjupop"qspepuj"qjò"p"n f op"joejdbuj"qf s'rn qjf hp"of rhtf upsf "f ejrnf/ M"dbujw "jogpsn bejpoj" f "rjopqapsu"ob"bqqrdjbejpoef "ef j"qspuf ujjv"i boop"dbvtbup"opuf vprjlebooj"brtqbusjn pojpn povn f oubrn" f e"à"qf suboup" goeobn f oubrn" rta"dpoptdf oeb"ef rnf"dbsbuf sjtjdi f "ef j"qspepuj"eb"vujr" /"Fttj epwsboop" dpn vor vf " tf n qsf " hbsboujsf " f rfnubup" qpu sf " qf of usbouf "-" sf tjtuf oeb" bj" sbhhj" vrsbwjprnuj" f e

jogbspttj-"sf tjt uf oeb" bhrl bhf ouj" di jn jdb" brbrj" bttf oeb" ej" f gf uj" gn bouj" di f "dbvtjop" vob" sjeviejpof "ef nba  
qf sn f bcjru" brhvbqpsf "e (odr vb" tvqf sjpsf "brt21& "ef uf sn jobub" tf dpoep" rba" opsn b" VOK"FO"KTP "23683-" bttf oeb  
ej" vbsjiejpoj" dsn bujdi f "tvqf sgjbrj" bttf oeb" ej" f gf up" qf sbouf ") f opn f op" qsf ubn f ouf "tvqf sgjbrj" puf ovup  
vf rpdiejboep" rba" qprjm f sjeviejpof "ef rhaqsepup-" di f "opo" sbqqsftf oub" joeiejp" ej" r vbrju" f " govejpojruj  
ef rha qsf hobiejpof \*/

Ktrasp" vujiejp" tbsu" tf n qsf "tvcpsjobup" b" tqf djgdb" bvupsjeviejpof "ef nba" Ejsfiejpof "ef j" Mwpsj-" ef hrjlpshboj  
qsf aptuj" brba" uuf rba" ef rha of "jo" phhf up-" f" dpn vor vf "be" baqspqsbub" dbn qbhob" ejbhoptujdb" qsf vf oujvb  
f gf uwvub" tvrha" buf sbrj" eb" usubsf /

### Siliconati alcalini

Ej" qpubttjp" p" ej" tpejp-" n f hrj" dpoptdjvuj" dpn f " n f jntjrujpojdb" ej" qpubttjp" p" ej" tpejp" puf ovuj" ebna  
of vubiejpof "dpo" tpeb" qpubttjdb" dbvtjdb" ef nba" djep" tjrujdp/" Tpop" tprjbn f ouf "dnp n f sbrjiejp" jo" tprvejpoj  
bdr vptf " brh31.41& " ej" bujvp" tjrujdp/" Tpop" aspepuj" tdpotjruj" qf s" rjespgcjiejpof " f e" jrha f tubvsp" ej  
n buf sbrjruj" qjef j" b" dbvtb" ef nba" gsn biejpof "ej" tpuqspewuj" ej" sf biejpof "r vbrj" dbscpobuj" ej" tpejp" f "ej" qpubttjp;  
tbrjtprmcjruj

Mb" tdbstb" sf tjt uf oeb" di jn jdb" bhrl brbrj" ef nba" sf tjob" n f jntjrujpojdb" gsn burtj" evsbouf " rba" sf biejpof " ej  
qprjm f sjeviejpof "opo" pgsf "tvqgdj" ouj" hsbouf "ej" evsbub" of rha n qp" f "sf oef" j" n f jntjrujpojdb" opo" bebuj" brba  
qspufiejpof "ej" n buf sbrjruj

Ktjrujpojdb" ej" qpubttjp" apttpop" uspwbsf "baqrbiejpof "of nba" jespgcjiejpof "ef rha f tt p/

### Resine siliconiche

Hf of sbm f ouf " wf ohpop" vujiejp" tjrujpojdb" p" qprjtjrujpojdb" sf tjof " n f jntjrujpojdb" f " ejruj" dpo" tprvejpoj  
pshbojd" r vbrj" jespdbsvjs" yjruj" sbhj" n jof sbrj" Mb" dpoef ousbiejpof "eb" vujiejp" opo" ef vf "f ttf sf "jof sjpsf "bm  
6& " jo" qf tp/" Tj" qpttpop" jn qjf hbsf " aspepuj" hjU" qbsiejbm f ouf " qprjm f sjeviejp" di f " tvcjtdpop" vuf sjpsf  
qprjm f sjeviejpof " usbn ju" "jesprj" vob" vrb" qf of usuj" dpn f " j" n f jrujrujpojdb" P qqvsv" jn qjf hbsf  
tptboef " hjU" qprjm f sjeviejpof " opo" qjo" tvtdf ujcjruj" ej" gsn bsf " vuf sjpsj" rha n j" di jn jdb" r vbrj" j  
n f jrujrujpojdb/" K' qprjm f sjeviejpof " i boop" vob" cvpob" tbcjruj" bhrl bhf ouj" di jn jdb" cbttb" uf otjpoj  
tvqf sgjbrj" jo" hsbep" r vjoej" ej" cbhbsf " rba" n bhjps" qbsuf "ef nba" tvqf sgj" dpo" rba" r vbrj" vuf ohpop" b" dpoubup\*  
tbcjruj" rba" f n qf sbusbf "sf tjt uf oeb" bhrl usf tt" uf sn jdb" cvpob" f rba" ujdj" f e" rba" jespsf qf rha oeb/

Tj" qsf tubop" n prap" cf of "qf s" rha qsf hobiejpof "ej" n bovduj" be" rba" qpsptju" n f ouf "tj" jodpousbop" ejgdpru  
tv" tvctusuj" dnp qbu" f " qdpd" bttpsc f ouj" b" dbvtb" ef nba" rhuwup" qf tp" n prndprsf "-" dnp vor vf "bccbttbcjruj/" Kopruf  
rha" sf tjof " n f jntjrujpojdb" f " b" dbvtb" ef nba" cbttb" sf tjt uf oeb" bhrl brbrj" tpop" eb" dpotjruj" tv" n buf sbrj  
tdbstbn f ouf "brbrj/

Ko" brasj" dbtj" a" apttjcjruj" vujiejp" rha" sf tjof "tjrujpojdb" f "dnp f " rha bouj" qf s" n bruf "eb" sjqsitujop" qf s" hvouj/

### Silani

Qjo" ftubn f ouf " brd jrujrujpojdb" qvs" bvf oep" tusvub" di jn jdb" tjn rha" brha" sf tjof " tjrujpojdb" f  
ejgf sf oejbop" eb" r vftuf " vrjn f " qf s" rha" sjepuf " ejn f otjpoj" ef nba" n prndprha" ef rha popn f sp") 6.21" B/" vhrjruj b  
r vf rha" ef nba" rba" qpttjcjruj" ej" tprvejpojdb" jo" tprvejpojdb" qprha" r vbrjruj" bdr vb") dpo" rba" qpttjcjruj  
r vjoej" ej" usubsf " tvqf sgj" vn jef \*-" rba" dbqbdju" ej" sf bhjsf " dpo" j" hsqqj" jespttjruj" qsf tf ouj" of j" n buf sbrj  
dpouf of ouj" tjrujpojdb") dbruf \*" di f " qpsub" rba" gsn biejpof "ej" vo" gjn " bodpsub" di jn jdbn f ouf "brh" tvqqsus" jo" hsbep" ej  
sf oef sf "jrha" buf sbrjruj" rba" n f ouf "jespgcp/

Tpop" qf subop" n popn f s" sf bujvuj" qprjm f sjeviejp" jo" tjruj" be" f rhuwujtjn b" qf of usbiejpof ") epwub" brhcbttp" qf tp  
n prndprha" \*-" dbqbdj" r vjoej" ej" jespgcjiejpof "j" dbqjruj" qjo" qjddprj" f "ej" dnp cbuf sf " rba" qf of usbiejpof "ef j" dprsvs" f  
ef j" tbrjtprmcjruj" Tf n qsf " hsbouf " brhcbttp" qf tp" n prndprha" hrjruj brd jrujrujpojdb" tpop" vujiejp" dpoef ousbuj  
opsn brm f ouf "ebrh31" brh51& "jo" qf tp-" jo" dbtj" qbsjdprha" tj" qpttpop" vujiejp" bodi f "brh21& < dji " qf sn f uf "ej  
puf of sf "pujn f "jn qsf hobiejpof" tv" tvqqsus" qbsjdprha" n f ouf "dnp qbu" f "tdbstbn f ouf "bttpsc f ouj/" Hrjruj brd jrujruj  
ef wpop" dnp vor vf "f ttf sf "jn qjf hbu" tv" tvqqsus" brbrj" f "tjruj" j- "sjt vrbop" qf subop" bebuj" qf s" rha" sjeviejp" jo" dpou-  
n buf sbrjruj" qjef j" f "jo" wgo-" joupobdj" dpo" n rba" cbtubseb/" Eb" opo" jn qjf hbstj" jowdf "tv" n bsn j" dbscpobuj" f  
joupobdj" ej" dbruf /" Eboop" joprusf "pujn j" sjt vrbuj;" brd jrujruj" n pejgdub" tvrhuwuf sjop" Spn bop" f " Usbdi ju" <  
brd jrujruj" jesptprmcjruj" of nba" cbssj" f "di jn jdb" f "dpousp" rba" sjt brub" dbqjruj" f /

Opo" tpop" n bj" eb" jn qjf hbstj" tv" n bovduj" jof sf tt buj" eb" qsf ttjpoj" jesptubjdi f /

### Oligo silossani

Qprjm f s" sf bujvuj" b" cbttp" qf tp" n prndprha" puf ovuj" ebna" qbsiejruj" dpoef otbiejpof "ej" qjo" n prndprha" ej" tjrujpojdb/  
Tpop" hf of sbm f ouf " brd jrujrujpojdb" dptujvuj" eb" 5" b" 21" bupn j" ej" n popn f s" tjrujpojdb" dpoef otbuj-" qsf qprjm f s  
sf bujvuj" di f "sf bhf oep" brha" jof sop" ef rha buf sbrjruj" dpo" rha" jeju" qsf tf ouf "qprjm f sjeviejp" jo" tjruj-" gsn boep" sf tjof  
tjrujpojdb" f /" Of " sjt vrb" vo" tjrujpojdb" qbsiejruj" f ouf " dpoef otbuj-" tprvejpojdb" jo" tprvejpojdb" qprha" di f "tj" ejgf sf oejb" ebm  
tjrujpojdb" f tdrmtvbn f ouf " qf s" rha" ejn f otjpoj" n prndprha" eb" 3" b" 7" vrb" tvqf sjpsj" Njhrjpsb" dptej rha puf sf " ej  
qf of usbiejpof "sjt qf up" brha" sf tjof "tjrujpojdb" f "sf tuboep" dnp vor vf "jof sjpsf "of j" dpogspouj" ef j" tjrujpojdb/" Ktjrujpojdb

prjpn f sj" qf subop" tpop" e(jn qjf hp" hf of sbm f ouf " vojwf stbrfn" f-" b" ejgf sf oeb" ef rfn" sf tjof" tjrdpojdi f - n bojg tuboep"qjò"brnb"qf of usbepof "hsbojtdpop"vob"n jhrjpsf "qspuf epof "of ruf n qp"ej"tvqapsj"dpn qbu" f tdbstbn f ouf "bttpscf ouj/"Hrj"brdi jntjrttboj"prjpn f sj"hsbepf "brhsvqap"brdi jrdp-"hf of sbm f ouf "dpo"n f ejp"p brp"qf tp"n prfdprsf -"psspop"tvqjdf ouj"hsboepf "dpousp"r(hhsf ttjpod "ef rfn"tprvepoj"brdbjof /

### Organo-siliconi

Hrj"jespsf qf rfnou"pshboptjrdpojdi"bqqsuf ohpop"be"vob"dbuf hpsjb"ej"qspuf ujj"jespsf qf rfnou"qf s"r(ejrejb dpt ujuj"eb"n prfdprfn"ej"brdi jntjrttboj"dpof otbf "dpo"hsvqaj"pshbojdi"jespgj/

Rvf t up"qf sn f uf "ej"puf of sf "tptboef "jespsf qf rfnou"tprvepoj"jo"bdr vb-"dpo"tprvepoj"tbcjrl"qf s'4.7"n f tj- gdfm f ouf "bqqrjbcjrl" f "sbtqpsbcjrl" Vjt lb"ra"dpn qrfub"btff oeb"ej"tprvepoj"pshbojdi"opo"dpn qpsubop"brdi vo sji di jp" upttdprhjd" qf s" hrj" bqqrjbcjrl" f " qf s" r(on c jf ouf /" Koprus " r(vjreep" ej" qspuf ujj" ejmjcjrl" jo" bdr vb qf sn f uf "ej"usbubsf "tvqapsj"rhhf sn f ouf "vn jej/

### Estere etilico dell'acido silicico (silicati di etile)

Npopdpn qpod of "gvjep-"jodprsf -"tj"bqqrjbcjrl"jo"tprvepoj"ouf -"jo"qf sdf oubrjrl)jo"qf tp\*"dpn qsf tf "gsb"71" f "91& / Qsf djqub" qf s"jesprj"-"eboep" brpprhf ujj"dpn f "tupqspup/"È"vob"tptboef"cbttp.n prfdprsf "b"cbtf jopshbojdi"jo"tprvepoj"ouf "pshbojdi/

Vjf of "jn qjf hup"tpqsbu"up" qf s"bsf obsj" f " qf s"qjf usf "tjrdpojdi f -"n b" gsojtdf "pujn j" sjtvrubj"bodi f "tv n bupoj" f e"joupobdj/

I b"vob"cbttjtjn b"vjtdptj"qf s"dvj"qf of usb"qspgoebn f ouf "bodi f "jo"n buf sbrj"qdp"qpsptj-"wb"bqqrjbcjrl" qsf gfcjrn f ouf "dpo"jrtjtuf n b"b"dpn qsf ttf "p"qf s"jn n f stjpod <"uubvj"bqqrjbcjrl"bodi f "b"qf oof rnp-"b tqsv"ep" dpo"jsspsubj"b"cbtt"qf ttjpod -"b"qf sdprvepoj /"Kfm buf sbrfn"eb"usbubsf "wb"dpn qrfubn f ouf "tbwsubp tjop"b"sjgv<"tj"qpus"sjqf uf sf "jrhsubn f oup"epq"3"p"4"tf ujn bof /"Kftvqapsup"epus" f ttf sf "qf sg ubn f ouf bt djvup-"qvjup" f "dpo"vob"uf n qf sbwsub"usb"j"26" f "j"31"±D/"Kftdpotprjebouf "dpn qrfub"ra"tvb"sf bepof "b"tf dpoeb ef rhtvqapsup"epq" djsb"5"tf ujn bof "dpo"uf n qf sbwsub"bn c jf ouf "ej"djsb"31"±D" f "VS"ef r51.61& /

Ko"dbtp" ej"tpwsbeptbhj"tbsj"qpttjrn"btqpsubf "r(ddf ttp"ej"n buf sbrfn-"qsjn b"ef rmpoesjn f oup-"dpo ubn qpoj"jn cf vwuj"ej"tprvepoj"pshbojdi"jof sbrj)cf oepof \*/

Brdoj" f tuf sjtjrdj"n jtdf ruy" dpo"tjrttboj-"dpof sjt dpop"vob"cvpob"jespsf qf rfnou"brfn buf sbrfn"usbubp< dpt ujujtdop"bodi f "vo"qspup"ej"cbtf "qf s"sf brjeb" f "cbssbn f ouj"di jn jdi"dpousp"r(vn jej"uj"ej"sjtbrub/

È"n prp" sf tjtuf ouf "brj" bhf ouj" bun ptg sji" f " rfn" tptboef "jor vjobouj"opo" vjf of "brf sbup"ebj" sbhj vrubvjrn/

Epvs"qptt ef sf "j"tf hvf ouj"sf r vjtj;

."qspup"n popdpn qpod of "opo"upttdp<

."qf of usbepof "pujn brfn<

."f ttjdbn f oup"dpn qrfub"tf oeb"qsn bepof "ej"tptboef "bqqrjbcjrl"ptf <

."qsn bepof "ej"tupqspup"ej"sf bepof "opo"ebooptj"qf s"rjn buf sbrfn"usbubp<

."qsn bepof "ej"vo"rhhfouf "tbcjrl"bj"sbhj"VW"opo"bubdbcjrl"ebhrij"bhf ouj"bun ptg sji"dpstjw<

."jn qsf hobepof "dpn qrfub" dpo"btff oeb"ej" f " g uj"gm phf oj" f "dpo"vob"cvpob"qf sn f bcjrl"brhvbqps"e(bdr vb<

."btff oeb"ej"wsbepoj"dpn bujdi f "ef rfn buf sbrfn"usbubp/

### Composti inorganici

Tpop"df subn f ouf "evsbwsi"dpn qbjcjrldpo"jrn buf sbrfn"brfn vbrfn"tj"bqqrjbcjrl"n b"jssf wf stjcrjrl"qdp" f rdt ujdj/ Qpttpop"joprus"hf of sbf "qspup"ej"sf bepof "r vbrjrt brjrt prvepoj"Qf s"r vftuj"n puwj"jrnps"vujreep"boes"tf n qsf buf oubn f ouf "wbhijup" f " gobrjeb"up-"dpu" tbrv" wuf "rfn"qspw" ejbhoptjdi f "f"ej"tbcpsubsj"eb" f gfwbstj qsf wf oujbn f ouf /

### Calce

Bqqrjbcjrl"brfn"n brf "bf sf f "f"brfn"qjf usf "dbrdbsf"dpn f "ruuf"ej" dbrdf "qsf djqub" f oup"j"qpsj" f "of"sjevdf "jm vprn f /"Opo"i b"qf si "rfn"qspqsf u"df n f ouboj"ef rtdbDP 4"di f "tj"qsn b"of rfnou"qspdf ttp"ej"dbscpobubepof ef rfn" dbrdf -"qf s" dvj" r(robprhjb" usb"jrhqspdf ttp" obwsbrfn" f e"jrhsubn f oup"ej"dpotprjebn f oup" dpo" dbrdf " p cjdbscpobup"ej" dbrdj" à" rjn jub" be"vob" bobprhjb" di jn jdb-"qjdi è" wuf "rfn"dpoejepoj"ej"dbscpobubepof )uf n qf sbwsub"qf ttjpod -"gseb"jpodb-"qpu oepbrfn" f rhusjdp\*"tpop"n prp"ejw stf /"Of"dpotf hvf "di f "jrtbscpobup ej" dbrdj"di f "qf djqub"of j"qpsj"ej"vo"joupobdp"p"ej"vob"qjf usb"evsbof "vo"usbubn f oup"ej"dpotprjebn f oup"opo of df ttbsjbn f ouf "f tf sji s"u"ra"tuf ttb"bepof "df n f oubof "ej"r vf rnp"qsn buptj"evsbof "vo"rfnou"qspdf ttp"ej dbscpobubepof /"Krhsubn f oup" dpo"qspup"b"cbtf "ej" dbrdf "qv" "rt djbsf"ef qptj"cjbodt us"ej"dbscpobup"ej dbrdf "tvra"tvqf sji"ef j"n bovduj"usbubj"di f "wboop"sjn pttj-"b"n f op"di f "opo"tj"qf wf eb"vo"tvddf ttjwp usbubn f oup"qspuf ujj" dpo"qspup"b"cbtf "ej" dbrdf ")hsbttf rnp-"tdjbrabw sf \*/

### Idrossido di bario, Ba(OH)2

Tj"jn qjf hb"tv"qjf uf "dbrbsf f "f"qf s"hrj"jouf swf ouj"tv"qps"ejpoj"ej"joupobdp"bgsf tdbup"ej"ejn f otjpoj"sjepuf rbeepwf "vj"tjb"rb"of df ttju"ej"of vubn"ebsf "qspepuj"hf ttptj"ej"brf sb"ejpof /"Mjespttjep"ej"cbjsj"à"n prup"bgjof "bm DbDP 4-"f ttf oep-"jo"qbsuf oeb-"dbscpobup"ej"cbjsj"CbDP 4"sf bhjtdf "dpo"jrhf ttp"qf s"ebsf "CbTP 5")tprup"ej cbjsj\*"di f "à"jot prncjrf/"Qv1 "ebs"mphp"b"qbyof "cjbodbt uf "tvqf sgjdrj"i b"vo"qpu f s"dpot prjebouf "ajvu pt up cbttp" f "sdi jf ef "rfrj m job"ejpof "qsf wf ouyb"ef hrjwf ow brjt brjt qsf tf ouj"jo"tprncjrf"of rñ buf sjbrf/"Opo"qpsb bnt"qpsn b"ejpof "ej"cbssj sb"brhwqpsf -"jo"r vbou"opo"t bwsb"dpn qrfubn f ouf "j"qpsj"ef rñ buf sjbrf<qf s"rñ"t f ttp n puyp"opo" f tqrb"vo" f ggd bdf "b"ejpof "of j"dpogspouj"ef rñ"qf of us"ejpof "ej"bdr vb"ebn"t f sop/

Dpn f "of rñ"dbtp"ef rñ"subun f oup"b"cbtf "ej"db"rb"dpn qptj"ejpof "di jn jdb"ef rñ buf sjbrf"usbubup"dbn cjb"tprp n join bn f ouf <j"r"qspepuj"dpot prjebouf ")dbscpobup"ej"cbjsj"CbDP 4\*"i b"vo"dpf ggdj f ouf "ej"ejrñ"ejpof "uf dojdb tjn jrf"b"r vf rñ"ef rñ"db"rjuf -"à"n prup"t ubcjrj" f e"à"qsbjdbn f ouf "jot prncjrf" <t f "f tqpt up"be"bn cjf ouf "jor vjobup eb"bojesjef "tprpspt b-"qvi "ebsf "tprup"ej"cbjsj")CbTP 5\*"di f "à"dpn vor vf "vo"qspepuj"jot prncjrf/"Vjdf wf st b opo"ef wf "f ttf sf "bqqrjdbup"tv"n buf sjbrj"sjddi j-"prnsf "brhf ttp-"ej"brsj"t brjt prncjrf" dpo"j"r vbrij"qvi "dpn cjobstj- eboep"qspepuj"qbuphf oj/

**Alluminato di potassio, KAIO2**

Qv1 "ebsf "tprup"qspepuj"ebooptj/"Gsb"r vf tuj"tj"qvi "joguj"puf of sf "jespttjep"ej"qpubttjp-"di f -"tf "opo"vjf of f rñ jobup"jo"gtf "ej"usbun f oup-"qvi "usbt qpsn bstj"jo"dbscpobup" f "tprup"ej"qpubttjp-"t brjt prncjrf" r vjoej qpu f oejbm f ouf "ebooptj/

**4.15 Metodi applicativi**

Mb"gtf "bqqrjdbujb"ef j"qspepuj"qspuf uvjv-"sdi jf ef s"vob"df sb"dbvf rñ" f e"buf oejpof -"tjb"of j"dpogspouj"ef m n buf sjbrf"tjb"qf s"rñ"qf sbpsf "di f "epvs"j f ttf sf "n vojup"ej"bqqptj b"busf "ebwsb"ej"qspuf "ejpof "of rñ"stj qf up"ef rñ opsn f "bojogpsv ojt ydi f "f "ej"qsf wf oejpof /

Ko"hf of sb"rj"j"qspepuj"epvsboop" f ttf sf "bqqrjdbuj"tv"tvqqpsj"qvrijv-"bt djvuj" f "qsjvj"ej"vñ jeju"b"u f n qf sbwsf opo" f ddf ttjv" )qpttjcjm f ouf " tv" qbsn f ouj" opo" f tqptj" b"j" sbhhj" tprnsj\*" poef " f vjubsf " vo" f wbqpsb"ejpof sf qf ouj"ef j"tprncjrf"ouj"vuj"ejpof /

K'n f upej"ej"bqqrjdb"ejpof "ef j"qspepuj"dpot prjebouj"gvnej"qsf wf epop"rñ qjf hp"ej"t usvn f ou"ejpof "f rñ f oubsf )qf oof rñ" svrñ" bqqbsf ddi j" b"t qsv"ep" bjsrntt\*"p-"r vbprsb" tjb" of df t tbsjb" vob" qf of us"ejpof " qjò" qspgoeb" f dbqjmsf -"sdi jf epop" vo"jn qjbop" ej"dbouj f s" qjò" dpn qrfntp<of j" dbtj" qjò" tf n qrj"j" cjt phof s"j" ef rñ jbsf " f qspuf hhf sf "rñ"epof "opo"jouf sf t tbf "ebn"qouf swf oup"jo"n pep"eb"sbddphrj f sf "f "sjdrnsf "rñ"t prncjrf" dpot prjebouf di f "opo"vjf of "bttpscjb" f "qspw"ef sf "b"djdrj"dpoujovj"ej"jn cjc"ejpof /

K'uf n qj"ej"bqqrjdb"ejpof "dbn cjbop"jo"sbqqpsup"brtqspepuj-"brtjt u f n b"t df rñ-"bnt"qpsptj"u"ef rñ buf sjbrf" f qpttpop"wsjsb"eb"qpd f "psf "b"ejv"stj"hjpsj/

K'n f upej"ej"bqqrjdb"ejpof "ef rñ"dpot prjebouf "t pop;

*Applicazione a pennello* -"Epq" bwf s"bddvsbn f ouf "qvrijv" f "of vubn"ejpof "rñ"tvqf sgjdf "eb"usbubsf -"tj bqqrjdb"rñ"tprncjrf"ej"sf tjob"b"qf oof rñ"n pscjep" gop"b"sgjvup/"K'usbubn f oup"ef wf "f ttf sf "joj"ejbup" dpo sf tjob" jo" tprncjrf" qbsjdrnsf f ouf " ejrñjb-" bvn f ouboep" hsbvbm f ouf " of rñ" vnjn f " qbttbf -" rñ dpodf ou"ejpof "prnsf "rñ"t boebse/

*Applicazione a spruzzo* - Epq" bwf s"bddvsbn f ouf "qvrijv" f "of vubn"ejpof "rñ"tvqf sgjdf -"tj" bqqrjdb" rñ tprncjrf" b"t qsv"ep" gop"b"sgjvup/

*Applicazione a tasca* -"Ubrn"bqqrjdb"ejpof "à"eb"vuj"ejbstj"qf s"jn qsf hob"ejpoj"qbsjdrnsj"ej;"ef dpsj-"bhhf uj- qpsn f rñ"jof n f ouf "rñ"psub" f "qpsn f ouf "ef dpf tjobuf /"Fttb"dpotjt u"of rñ"bqqrjdb"ejpof "ej"vob"lbt db"of rñ qbsf "jof sjpsf "ef rñ"epob"eb"jn qsf hobsf -"tj"dpncb-"joguj-"joup sop"bnt"qbsf "eb"dpot prjebsf "vob"tqf djf "ej hspoejb"jn qf sn f bcjrñ"bnt"qbsj" joup sop" bnt"qbsf u" eb"usbubsf -"rñ"t djobep" vo"jouf sdbqf ejof "usb" ubrñ sjv tuj f oup" f "rñ"phhf up-"f e"bt qjsboepof "rñ"sbj/"K'ñ buf sjbrf"jn qjf hbup"qf s"jrhjv tuj f oup"jn qf sn f bcjrñ"à vo" gjm "qf tbof "ej" qprjñ jrfnof /"Mb"ej"sf oeb"ej" qsf ttj pof "di f "tj"tubcjrj"df "qf s" f gf up"ef rñ"t qjsb"ejpof ef rñ"sbj"usb"rñ"evf "tvqf sgjdf"ef rñ"qprjñ jrfnof "à" ubrñ"eb"t di jbdjbsf "jrhjgm"tv"rñ"qbsf "eb"usbubsf -"f "eb sjt vdi jbsf "rñ"tprncjrf"jn qsf hobouf /



Ko" dbtp" ej" qjphhjb" p" qvri" dpo" bdr vb" tbsj" of df ttbsjp" buf oef sf " qsjn b" ej" qspdf ef sf " bnt" dpn qrfub  
bt djvhbwsb" ef rht vqapsup" f " dpn vor vf " cjt phof sU" qspuf hhf sf " jrh" bov gup" ebrnt" qjphhjb" qf s" brn f op" 26  
hjpsoj" epap" rjof svf oup/ " Ktqspepup" epwsU" f ttf sf " bqqrjdbup" brn f op" jo" evf " n boj" gdcf oep" buf oEjpopf " di f " r  
tf dpoeb" wf ohb" aptub" be" f ttjdbn f oup" bwf ovup" ef rnt" qsjn b/ " Ktusbubn f oup" ope" epwsU" f ttf sf " f gf wvbu  
dpo" u f n qf sbwsf " tvqf sjpsj" bj" 36±D" f e" jogf sjpsj" b" 6±D" f " tj" f vjuf sU" dpn vor vf " rjof svf oup" tv" tvqf sgjd  
tprfhbjbf /

**Art. 4.16**  
**PRODOTTI PER ISOLAMENTO ACUSTICO**

2" . "Tj" ef gojtdpop" n buf sibrjlt prbouy" bdvt ujdj" )p" n buf sibrjlt gopjtprbouy" r vf rjlt buj" b" sjevssf " jo" n bojfb  
ft otjcjrft" rnt" usbt n jtjpopf " ef rnt of shjb" tpopsb" di f " rjlt busbwf stb/  
Rvftub" qspqsf j" à" wbrubub" dpo" jrtqpf sf " gopjtprbouf ") S\* " ef gojup" ebrnt" (tqsf ttjpopf ;

XXXXXXXXXX j  
S">21" rph".....  
XXXXXXXXXX u

epwf ;  
X j" à" rnt of shjb" tpopsb" jodjef ouf <  
X u" à" rnt of shjb" tpopsb" usbt n fttb/

3" . " Qf s" wuj" j" n buf sibrjlt gopjtprbouy" gsojuy" tpup" gsn b" ej" rnt usf -" crpddi j" p" gsn f " hf pn f usjd f  
qsf ef uf sn jobuf -" tj" ef wpop" ejdi jbsbsf " rnt" f hvf ouj" dbsbuf sjt ujd f " gpoebn f obrjg

- . mofi f eeb" . " rntshi f eeb- " wbrhpop" rnt" uprntsoe" t ubcjju" of rnt" opsn f " VOK" pqqvsf " tqf djgdbuf " of hrtjlt brusj  
epdvn f ouj" qsphf wvbrj" jo" bttf oeb" ef rnt" qsjn f " evf " wbrhpop" r vf rnt" ejdi jbsbuf " ebrnt" qspevupsf " of rnt" tvb  
epdvn f obrjpopf " uf dojdb" f e" bddf ubuf " ebrnt" Ejsf Epopf " ef j" Mbwpsj <
- . " tqf ttpsf ; " wbrhpop" rnt" uprntsoe" t ubcjju" of rnt" opsn f " VOK" pqqvsf " tqf djgdbuf " of hrtjlt brusj" epdvn f ouj  
qsphf wvbrj" jo" bttf oeb" ef rnt" qsjn f " evf " wbrhpop" r vf rnt" ejdi jbsbuf " ebrnt" qspevupsf " of rnt" tvb  
epdvn f obrjpopf " uf dojdb" f e" bddf ubuf " ebrnt" Ejsf Epopf " ef j" Mbwpsj <
- . " n bttb" bsf jdb" ; ef wf " f ttf sf " f oupsj" jtm juy" qsf tdsjuj" of rnt" opsn b" VOK'p" of hrtjlt brusj" epdvn f ouj" qsphf wvbrj" jo  
bttf oeb" ef rnt" qsjn f " evf " wbrhpop" r vf rnt" ejdi jbsbuf " ebrnt" qspevupsf " of rnt" tvb" epdvn f obrjpopf " uf dojdb" f e  
bddf ubuf " ebrnt" Ejsf Epopf " uf dojdb <
- . " qpf sf " gopjtprbouf -" n jtvsbu" jo" rntcpsupsj" tf dpoep" rnt" n pebrjlt" qsf tdsjuj " ebrnt" opsn f " VOK'FO" KTP  
27394.2-"VOK'FO"KTP"21251.2-"3-"4-"5" f "6-" sjt qpoef ouf " bj" wbrpsj" qsf tdsjuj" of rnt" qsphf up" pe" jo" bttf oeb" b  
r vf rnt" ejdi jbsbuf " ebrnt" qspevupsf " f e" bddf ubuf " ebrnt" Ejsf Epopf " ef j" Mbwpsj/

Tbsboop" joprusf " eb" ejdi jbsbsf -" jo" sf rnt" opsn f " brnt" qsf tdsj" epopj" ej" qsphf up" f " qf s" r vbou" qsf vjt up" jo" n buf sjb  
ebrnt" rnt hhf -" rnt" f hvf ouj" dbsbuf sjt ujd f ;

- . " n pevrp" ej" f rnt ujdjlt <
- . " gupsf " ej" qf sejb <
- . " sf bEjpopf " f Qp" dpn qpsubn f oup" brty/pdp <
- . " jtm juy" ej" f n jtjpopf " ej" tptubo" opdjw" qf s" rnt" bntuf <
- . " dpn qbujcjrjlt" di jn jdp. gtjdb" dpo" brusj" n buf sibrjlt

K' qspepuy" wf ohpop" dpo" tje" sbuj" brnt pn f oup" ef rnt" gsojwsb < rnt" Ejsf Epopf " ef j" Mbwpsj" bj" goj" ef rnt" rpsp  
bddf ubEjpopf " qv " qspdf ef sf " bj" dpousprjlt ) bodi f " qbsEjbrjlt" tv" dbn qjpoj" ef rnt" gsojwsb" pqqvsf " di jf ef sf " vo  
buf t ubup" ej" dpogsn jlt" ef rnt" tuf ttb" brnt" qsf tdsj" epopj" t pqs" sjqpsubf /

Ko" dbtp" ej" dpouf t ubEjpopf " j" n f upej" ej" dbn qjpopn f oup" f " ej" qspwb" ef rnt" dbsbuf sjt ujd f " ej" dvj" t pqs" tpop  
r vf rnt" t ubcjruj" ebrnt" opsn f " VOK' f e" jo" n bodboeb" ej" r vf tuf " vrjn f -" r vf rnt" ef tdsjuj" of rnt" rntuf sbwsb" uf dojdb  
) qsjn bsjbn f ouf " opsn f " jof sobEjpopbrjlt" f ttf sf \*/

4" . " Qf s" j" n buf sibrjlt gopjtprbouy" di f " bttvn pop" rnt" gsn b" ef gojuyb" jo" pqf sb" ef wpop" f ttf sf " ejdi jbsbuf " rnt  
tuf ttf " dbsbuf sjt ujd f " sjf sjf " be" vo" dbn qjpopf " t jhojgdbujw" ej" r vbou" sf brnt" jo" pqf sb" " Mb" Ejsf Epopf " ef j  
Mbwpsj" ef wf " joprusf " bujwbsf " dpousprjlt" ef rnt" dptubo" ef rnt" dbsbuf sjt ujd f " ef rnt" qspepuy" jo" pqf sb- " sjdpsf oep" pwf  
of df ttbsjp" b" dbspubhjt" f Epopn f ouj- " f dd/ " t jhojgdbujw" ef rnt" t usbu" f ttf hvjup/

# CAPITOLO 5

## IMPIANTISTICA

### Art. 5.1 GLI IMPIANTI

#### Generalità

Mbqqbrubpsf -"jo"bddpsep"dpo"ra"Ejsf Ejpof "ef j"mowpsj-qsjn b"ej"jojEjbsf "r vbrtjbtj"pqf sb"sf rbujwb"bhrijjn qjbouj jo"hf of sf ")uf sn jdp-"jesjdp-"rfnujdp-"boujodf oejp-"f dd/\*"epwslj"wbmubsf -"di f "ujqp"ej"bEjpopf "jousbqsf oef sf /"Tj epwslj"wbmubsf "tf "qspdf ef sf "b"qbsEjbrj"p"dpn qrfuj"sjgdjn f ouj" f "tf "tbsl"pqqpswop"qspdf ef sf "brhsjqsjt ujoep e(jn qjbouj"gf sn j"eb"lspqqp"uf n qp" f "opo"qjò"dpogpsn j"brnb"vjhf ouf "opsn bujwb/"Qpusf ccf "sf oef stj"of df ttbsjp"vo sjrjfi wp"ef ubhrjbu"ef nfi ejgdjp"tvrti vbrfi"sjqpsubsf "dpo"qsf djtjpopf "wuj"hrjln qjbouj" f tjt uf ouj-"ra"rpsp"dpnmdEjpopf -"ra"rpsp"ujqprphjb-"jrtujq"ej"ejt usjcvEjpopf -"ej"brjn f oubEjpopf "f dd/<"tvrtisjrfi wp"tj"qpusf ccf sp" f vjef oEjbsf "wuj"j"vboj f tjt uf ouj"jo"hsbep"ej"dpouf of sf "f e"bddphrjfi sf "hrjlf wf ouvbrjlovvj"jn qjbouj-"r vbrjfqpusf ccf sp" f ttf sf "rnf"dboof gyn bsjf "ejtn f ttf -"j"dbwf ej-"rnf"btprfn-"rnf"jouf sdbqf ejoj-"j"epqqj"n vsj-"dvojdprj"wf tqbj-"t dbsjdi j-"qpEj" f dd/

Tvnta"cbtf "ej"r vftuf "jogpsn bEjpopf-"tj"qpusl"qspdf ef sf "brnb"qspfhf ubEjpopf "ef j"ovpvj"jn qjbouj"di f "epwsboop f ttf sf "jrtqjò"qpttjcrjn"joejqf oef ouj" ebmfi ejgdjp" f tjt uf ouf -" f vjuboep" jotf sijn f ouj" tpuw. usbddjb-"sjevdf oep"bm n join p"jouf swf ouj"ej"ef n prjEjpopf -"spuwsf -"ejtgdjn f ouj"bodi f "qbsEjbrj/

Mbeepw "tj"tdf hrjfi sU"ej"dpotf swbsf "hrjln qjbouj" f tjt uf ouj-" f ttj"epwsboop" f ttf sf "n f ttj"b"opsn b"p"qpusf oEjbu tgsuuboep"rnf"rjof f "ej"ejt usjcvEjpopf "f tjt uf ouj/"P wf "qsf vjt up"tj"vujrEj sboop"t pmejpopf"b"vjtb"vujrEjboep"dbobrjn wcj" f "wcbEjpoj"b"opsn b"ej"rnhhf -"di f "boesboop"jotf sjuf "jo"bqqptjuf "dbobrjEjEjpoj"busf Eebuf "p"jo"wpmn j uf dojdj"sf brjEjbu"jo"n pep"joejqf oef ouf "sjt qf up"brnfi ejgdjp/

Tf "jrtqspfhf up" ef nfi qjbouj" opo" à" gposjup" ebnta" TUBEjpopf "Bqqbrubouf -"ra"tvb"sf ebEjpopf "tbsl"b" dbsdjdp ef nfiBqqbrubpsf < f hrjfi epwslj" tpuwqpsf "jrtqspfhf up" f ttf dvujwp-"bm f op" 41" hjsjoj" qsjn b" ef nfi tf dvEjpopf "ef j rbwpsj-"tjb"brnb"Ejsf Ejpof "ef j"mowpsj"di f "bhrijl pshboj"qsf qptj"brnb" wuf ra" dpo" rnf" r vbrjfdpodpsef sU"bodi f "rnf" ejw stf "t pmejpopf" e"j"qbsjdpribsj"bddpshjn f ouj/

### Art. 5.2

#### COMPONENTI DELL'IMPIANTO DI ADDUZIONE DELL'ACQUA

Ko"dpogpsn jU"brnb"su"7-"dpn n b"2-"ef rE/N/"3301203119-"o/"48-"hrjln qjbouj"jesjdi" f e"j"rpsp"dpn qpof ouj ef wpop"sjtqpoef sf "brnb"sf hrjfi"ef nfi"sf /

Of nfi tf dvEjpopf "ej" wuf "rnf"rbwpsbEjpoj-"rnf"pqf sf -"rnf"gpsojwuf -"j"dpn qpof ouj-"bodi f "sf rbujwb" f ouf "b"tjt uf n j" f tvctjt uf n j"ej"jn qjbouj"uf doprhjdj"phhf up"ef nfiBqqbrub"ef wpop" f ttf sf "sjt qf ubuf "wuf "rnf"qsf tdsjEjpoj"ej"rnhhf f "ej"sf hrjfi f oup"jo"n buf sjb"ej"r vbrjU"qspw ofj oE" f "bddf ubEjpopf "ef j"n buf sbrjlf "dpn qpof ouj"opodi è-"qf s r vbou"dpodf sof "ra"ef tdsjEjpopf -"j"sf r vjtj"ej"qsf tubEjpopf "f "rnf"n pebrjU"ej" f ttf dvEjpopf "ej"phoj"dbuf hpsjb"ej rbwps-"wuf "rnf"joejdbEjpoj"dpouf ovuf "p" sdi jbn buf "dpousbuwbrn f ouf "of rthqsf tf ouf "Dbqjuprbup" Tqf djbrn e(Bqqbrub-"of hrjfi rbcpsuj"hsbgdj"ef rthqspfhf up" f ttf dvujwp" f "of rna"ef tdsjEjpopf "ef nfi"tjohprn"vpdj"brnfnhbub"brn" tuf ttp"dbqjuprbup" f -"pw" of df ttbsjp-"rnf"dbsbuf sjt udi f "f"qsf tdsjEjpoj"ej" f ouj"qsf qptj"p"btt pdjEjpoj"ej"dbuf hpsjb r vbrjVOK"DFK"VODTBBMf dd/

Qf s"r vbou"sjhvbsb"r"dddf ubEjpopf -"ra"r vbrjU" f "rjn qj hf"ef j"n buf sbrj"ra"rpsp"qspwjt ub-"jrtmphp"ef rna"rpsp qspw ofj oE" f "rnf"wf ouvbrn"tptjvEjpopf "ej"r vftuVrjn p-"tj"bqqrjdbop"rnf"ejtqptjEjpoj"ej"dvj"brnb"su"5-"brnfnhbup K/25"ef rE/rnt"4703134" f "bsu"27-"28-"29" f "2: "ef rDbqjuprbup"hf of sbrn"e(Bqqbrub"E/N/"25603111" f "t/n /j/

#### 5.2.1) Apparecchi Sanitari

- HrjfiBqqbsf ddi j"tbojbsj"jo"hf of sbrn-"joejqf oef ouf n f ouf "ebnta"rpsp" gsn b" f "ebrfn buf sbrfn" dptjwuf ouf -ef wpop"tpeejtqsf "j"tf hvf ouj"sf r vjtj;
  - evsbcjru"n f ddbojdb<
  - spcvtuf Eeb"n f ddbojdb<
  - bt tf oE"ej"ejg uj"vjtcjrfi" f tuf ujdj<
  - sf tjt uf oE"brnfi csbtjpopf <

- . qvrvjrlj"ej"uwuf "rf"qbsj"di f "qpttpop"wf ojsf "b"dpoubup"ppo"r"dr vb"tqpsdb<
  - . sf tjt uf oeb"brn"dpssptjpf")qf s'r vf rjldpo"tvqqpsup"n f ubrjlp\* <
  - . gvoejpobrjrlj"jesbvrijab/
- 3 Qf s"hrjlbqqsbf ddi j"ej"df sbn jdb"ra"sjtqpoef oeb"brn"qsf tdsjejoj"ej"dvj"tpqsb"tj"jof oef "dgn qspwub"tf f ttj"sjtqpoepop"brn"tf hvf ouj"opns f ;"VOK'FO": 8"qf s"j"vbtj-"VOK'5654"qf s"hrjlpsojopj-  
VOK'FO'25799"qf s"j"rwbj-"VOK'FO'25639"qf s"j"cjef u/
- Qf s"hrjlbqqsbf ddi j"ef wf " f ttf sf " dgn qspwub" ra" sjtqpoef oeb" brn" opns b" VOK' 5654" sf rjujwb" bn n buf sbrf"df sbn jdp"fe"brn"dbsbuf sjtjdi f "gvoejpobrjrlj"dvj"brtqvoup"2/
- 4 Qf s"hrjlbqqsbf ddi j"b"cbtf "ej"n buf sjf "qratjdi f "ra"sjtqpoef oeb"brn"qsf tdsjejoj"ej"dvj"tpqsb"tj"sjjf of dgn qspwub"tf "f ttj"sjtqpoepop"brn"tf hvf ouj"opns f ;"VOK'FO'374"qf s"rfi"rat usf "bdsjrlj f "dpruf "qf s vbt di f "eb"cbhop" f "qjbu"epddj-"opns f "VOK'FO'tvri"ejn f otjpoj"ej"sbddpsep"ef j"ejwf stj"bqqsbf ddi j tbojbsj"fe"brn"tf hvf ouj"opns f "taf djgdi f ;"VOK'92: 7"qf s"vbtj"ej"sf tjob"n f ubdsjrlj<"VOK'FO'2: 9"qf s vbt di f "ej"sf tjob"bdsjrlj<"VOK'FO'25638"qf s"j"qjbu"epddj"be"jn qj f hp"epn f tjdj<"VOK'92: 6"qf s"cjef u'ej sf tjob"n f ubdsjrlj/
- 5 Qf s" uwj" hrjlbqqsbf ddi j" f " qf s" vob" rpsp" dpssf ub" qptb-" vboop" sjtqf ubuf " rf" qsf tdsjejoj" jof sf ouj" rf ejn f otjpoj" f "rf"r vpu"ej"sbddpsep"qsf vjt uf "of rfi"taf djgdi f "opns f "ej"tf hvjup"sjdi jbn buf ;
- . "qf s"j"rwbj-"opns b"VOK'FO'42 <
  - . "qf s"j"rwbj"tptqf tj-"opns b"VOK'FO'43 <
  - . "qf s"j"vbtj"b"qbvjn f oup"b"dbddjbu"ppo"dbttf ub"bqqphjbu-"opns b"VOK'FO'44 <
  - . "qf s"j"vbtj"b"qbvjn f oup"b"dbddjbu"tf oeb"dbttf ub"bqqphjbu-"opns b"VOK'FO'48 <
  - . "qf s"j"vbtj"tptqf tj"b"dbddjbu"ppo"dbttf ub"bqqphjbu-"opns b"VOK'FO'45 <
  - . "qf s"j"vbtj"tptqf tj"b"dbddjbu"tf oeb"dbttf ub"bqqphjbu-"opns b"VOK'FO'49 <
  - . "qf s"j"cjef u'b"qbvjn f oup-"opns b"VOK'FO'46 <
  - . "qf s"hrjlpsojopj"b"qbsf u-"opns b"VOK'FO'91 <
  - . "qf s"j"rwbj"boj"tptqf tj-"opns b"VOK'FO'222 <
  - . "qf s"rfi"vbt di f "eb"cbhop-"opns b"VOK'FO'343 <
  - . "qf s"j"qjbu"epddj-"opns b"VOK'FO'362-"n f ouf "qf s"hrjlbddf ttpsj"qf s"epddf-"opns f "VOK'FO'2223" f 2224/

Uvuj"j"qspepuj" f Op"n buf sbrjrlj"dvj"brtqsf tf ouf "bsjdprp-"r vbrpsb"qpttbop" f ttf sf "epubj"ej"n bsdwub"DF tf dpoep"ra"opns bujwb"uf dojdb"vjhf ouf "-"epwsboop" f ttf sf "n vojju"ej"ubrri"n bsdj jp/

## 5.2.2) Rubinetti Sanitari

- b\* K'svcjof uj"tbojbsj-"sbqqs f ouj"tvhrjrlj"rcpsuj"hsbgdj"ej"jot ubri"ejpof "tf dpoep"ra"opns b"VOK': 622" f dpotjef sbj"of rtaqsf tf ouf "qvoup"tpop"r vf rjrlbqqsbf of ouj"brn"tf hvf ouj"dbuf hpsjf ;
- . svcjof uj"tjohprj"djpa"ppo"vob"tprb"dpoeup"ej"brjm f oubjejpf <
  - . hsvqqp" n jt df rtaqsf "-" bvf ouf " evf " dpoeup" " ej" brjm f oubjejpf " f " dgn boej" tf qbsuj" qf s" sf hprtaf " f n jt df rtaf " ra" qpsubub" e(bdr vb/" K' hsvqqj" n jt df rtaqsf" qpttpop" bvf sf " ejwf stf " tprvejoj" dptusvujwf sjdpoevdjcrjrlj"of j"tf hvf ouj"dbtj;"dgn boej"ejt uboebuj"p"hf n f rtaq" dpsq"bqqsbf ouf "p"obt dpt up")tpup"jm qjbop"p"of rta"qbsf u" \* "qsf ejt qptjejpf "qf s"qpt b"tv"qjbop"psjeepoubri"p"wf sjdbrf <
  - . n jt df rtaqsf " n f ddbojdp-" f rfn f oup" vojdp" di f " tvjmqqb" rfi" tuf ttf " gvoejpoj" ef rhsvqqp" n jt df rtaqsf n f tdrboep" qsjn b" j" evf " gvtjtj" f " sf hprboep" epqp" ra" qpsubub" ef rta" cpddb" ej" f sphbejoj "-" rfi" evf sf hprbejoj"tpop" f qf uvbuf "ej"vprb"jo"vprb-"qf s"puf of sf "ra"uf n qf sbwub"e(bdr vb"vprub/"K'n jt df rtaqsf n f ddbojdj"qpttpop"bvf sf "ejwf stf "tprvejoj" dptusvujwf "sjdpoevdjcrjrlj"tf hvf ouj"dbtj;"n popdgn boep"p cjdgn boep-"dpsq"bqqsbf ouf "p"obt dpt up")tpup"jrtjboj"p"of rta"qbsf u" \* "qsf ejt qptjejpf "qf s"qpt b"tv qjbop"psjeepoubri"p"wf sjdbrf")VOK'FO'928\* <
  - . n jt df rtaqsf" uf sn ptubjdj-" f rfn f oup" gvoejpobuf " dgn f " jrn n jt df rtaqsf " n f ddbojdp-" n b" di f " wbsjb bvupn bujdbn f ouf "ra"qpsubub"ej"evf "gvtjtj"b"uf n qf sbwub"ejwf stf "qf s" sphbsf "f "n bouf of sf "r"dr vb"brn" uf n qf sbwub"qsf tdf rdb/
- c\* K' svcjof uj"tbojbsj" ej" dvj"tpqsb-" joejqf oef ouf n f ouf " ebrhuq" f " ebrn" tprvejoj " dptusvujwb-" ef vpop sjtqpoef sf "brn"tf hvf ouj"dbsbuf sjtjdi f ;
- . jobrf sbcjrj"ef j"n buf sbrjrlj"dvj"brtqsf tf ouf "opo"df ttjpf "ej"tpt uboef "br"dr vb <
  - . uf ovub"br"dr vb"brn"qsf ttjpoj"ej" f ttf sjejpf <
  - . dpogpsn bejpf "ef rta"cpddb"ej" f sphbejoj "jo"n pep"eb" f sphbsf "bdr vb"ppo"grfuup"b"hf up"sf hprtaf " f dgn vor vf "tf oeb"tqsv"di f "vbeop"brn"tuf sop"ef rta"qqsbf ddi jp"tvrtvbrf"ef vpop" f ttf sf "n poluj <
  - . qspqpsjejpojrj"gsb"bqf suvub" f "qpsubub" f sphbsub <
  - . n jojn b"qf sejub"ej"dbjdp"brn"n bttjn b" f sphbejoj <

- . tjrfoejptjw'f e"bttf oeb"ej"vjcsbEjpopf "jo"uwuf "rfr"dpoejEjpoj"ej"gv oEjpopbn f oup<
  - . gdxjfrn"tn poubcjruw'f "tptujwEjpopf "ej"qf Eej"qpttjcjm f ouf "dpo"buwuf Eej"frn f oubsj<
  - . dpojuovjw'of rnb"vbsjEjpopf "ej"uf n qf sbwvub"usb"qptEjpopf "ej"gsf eep"fr vf rnb"ej"dbrep"fr "wjdf wf st b")qf s'j svcjof uj"n jt df rhuvsj\*"Mb"sjt qpoef oeb"brn" dbsbuf sjt udi f "tpqsb"fr rnodbu "tj"jouf oef "tpeejt gub"qf s'j svcjof uj"t johprjfr "hsvqj"n jt df rhuvsj"r vboep"fr ttj"sjt qpoepop"brn"opsn b"VOK'FO"311"qf s'svcjof uj"b di jvtvub"bvupn bujdb"QO"21"rnb"opsn b"VOK'FO"927"fr "of"wjf of "dpo"qspwub"rnb"sjt qpoef oeb"dpo"df sujgdbu ej"qspwub"fr "dpo"bqaptEjpopf "ef rfrn bsdj jp"VOK/ Qf s"hrj"brnsj"svcjof uj"tj"bqqrjdb"rnb"VOK'FO"311"qf s'r vboep"qpttjcjfrn"p"tj"db"sjf sjn f oup"be"brnsf "opsn f uf dojdi f"qsjodjqrn f ouf "ej"fu"opsn buvsj"fr tu f sj\*/
- d\* K'svcjof uj"ef wpop"fr ttf sf "gsoju"qspuf uj"eb"jn cbmhhj"bef hvbu"jo"hsbep"ej"qspuf hhf sjtleb"vsj-"hsbgg-dd/"of rfrn" gdtj"ej" sdt qpsup"fr "n pvjn f ouEjpopf "jo" dbouf sf /"K'ghprj" jogpsn bujw" di f "bddpn qbhb"jm qspewp" ef wf "ejdi jbsbsf" rfrn" dbsbuf sjt udi f "ef rnb" tu f ttp"fr "rfrn" brnsf " jogpsn bEjpoj" vujr' qf s' rnb" qptbn bovuf oEjpopbrn"fr dd/

Uwuf "rfrn"svcjof uf sjf "epwsboop"fr ttf sf "qsf wf oujwbn f ouf "bddf ubuf -"b"hjvejEj"jot joebdbcjfrn"-ebmnb"Ejsf Ejpop ef j"rhuvsj/"Uwuj"hrj"bqqsbsf ddi j"epwsboop"fr ttf sf "n vojuy"ef rnb"df sujgdbu"ej"psjhjof -"eb"qsf tf oubsf "vojubn f ouf "brnb dbn qjpopwvub"-buwuf t ubouf "rfrn"r vbrjw'f "rfrn" dbsbuf sjt udi f "uf dojdi f "ef rnb"qspewp/

### 5.2.3 Scarichi di apparecchi sanitari e sifoni (manuali, automatici)

Hjfr'frn f ouj" dptujwuf ouj"hrj"t dbsjdi j"bqqrjdbu"bhj"bqqsbsf ddi j"t bojbsj"tj"jouf oepop"ef opn jobuj"fr "drttjgdbu dpo f "sjqpsubp"of rnb"opsn b"VOK'5653/

Koejqf oef ouf n f ouf "ebrn" buf sjbrn"fr "ebmnb" gsn b"fr ttj"ef wpop"qptt ef sf "dbsbuf sjt udi f "ej"jobnuf sbcjruw'brn bEjpoj"di jn jdi f "fr"b"b" Eejpopf "ef rnb"brnsf -"sf brnsf" rnb"uf ovub"usb"puwvub"svcjof uj"qjfrub"fr "qptt ef sf "vob sf hrnb" Eejpopf "qf s'j"hsjqsjt jop"ef rnb"uf ovub"tu f ttb")qf s't dbsjdi j"b" dpo boep"fr n ddbojdp\*/

Mb"sjt qpoef oeb"brn" dbsbuf sjt udi f "tpqsb"fr rnodbu "tj"jouf oef "tpeejt gub"r vboep"fr ttj"sjt qpoepop"brn ops n f "VOK'FO"385"rnb"sjt qpoef oeb"à" dpo qspwub"eb"vob"buwuf t ubEjpopf "ej"dpogpsn jw/

Uwuj"j"qspewp"fr "Op"n buf sjbrj"ej"dvj"brnsf tf ouf "bsjdprn"-r vbrnsb"qpttbop"fr ttf sf "epubj"ej"n bsdwvub"DF tf dpoep"rnb"opsn bujw"uf dojdb"vjhf ouf -"epwsboop"fr ttf sf "n vojuy"ej"lbrn"n bsdj jp/

### 5.2.4 Tubi di Raccordo Rigidi e Flessibili (per il collegamento tra i tubi di adduzione e la rubinetteria sanitaria)

Koejqf oef ouf n f ouf "ebrn" buf sjbrn" dptujwuf ouf "fr"ebmnb" tprvEjpopf "dpt usvujwv"-fr ttj"ef wpop" sjt qpoef sf "brn dbsbuf sjt udi f "tf hvf ouj;

- . jobnuf sbcjruw'brn" bEjpoj"di jn jdi f "fr"b"b" Eejpopf "ef rnb"brnsf <
- . opo"df ttjpopf "ej"tpt uboef "brn"dr vb"qpubcjfrn<
- . joef gsn bcjruw'brn" tprndj bEjpoj"n f ddbojdi f "qspwuf ojf ouj"ebmnb"ouf sop"fr "Op"ebmnb" tu f sop<
- . tvqf sjdjf "jouf sob"fr tf ouf "eb"t dbcspjt w' di f "gwpvjtdbop"ef qptjw<
- . qsf ttjpopf "ej"qspwub"vhwvbrn"b"r vf rnb"ej"svcjof uj"dpnfrn"hbuj/

Mb" sjt qpoef oeb" brn" dbsbuf sjt udi f "tpqsb"fr rnodbu "tj" jouf oef "tpeejt gub" fr "j" wvj" sjt qpoepop" brn dpssjt qpoef ouj"opsn f "VOK"tqf djdi f "usb"rfrn"r vbrjw"VOK'FO"KTP"8797-"VOK'FO"KTP"21258-"VOK'FO"KTP": 963-VOK'FO"KTP"4612-"VOK'FO"KTP"4614-"VOK'FO"KTP"4569-"VOK'FO": 7: -"VOK'FO"KTP"3616-"VOK'FO"KTP"2278-VOK'FO"KTP"5782-"VOK'FO"KTP"26986.4-"VOK'FO"KTP"334: 2.4"fr "VOK'FO"26125/"Ubrn"sjt qpoef oeb"ef wf "fr ttf sf dpo qspwub"eb"vob"ejdi jbsbEjpopf "ej"dpogpsn jw/

Uwuj"j"qspewp"fr "Op"n buf sjbrj"ej"dvj"brnsf tf ouf "bsjdprn"-r vbrnsb"qpttbop"fr ttf sf "epubj"ej"n bsdwvub"DF tf dpoep"rnb"opsn bujw"uf dojdb"vjhf ouf -"epwsboop"fr ttf sf "n vojuy"ej"lbrn"n bsdj jp/

### 5.2.5 Rubinetti a Passo Rapido, Flussometri (per orinatoi, vasi e vuotatoi)

Koejqf oef ouf n f ouf "ebrn" buf sjbrn" dptujwuf ouf "fr"ebmnb" tprvEjpopf "dpt usvujwv" ef wpop" sjt qpoef sf "brn dbsbuf sjt udi f "tf hvf ouj;

- . f sphbEjpopf "ej"bdr vb" dpo"qpsubub"-fr of shjv"fr "r vbojuw'of df ttbsjb"qf s"bttjdvsvsf "rnb"qvrjEjpb<
- . ejt qptjwvj"ej"sf hrnb" Eejpopf "ef rnb"qpsubub"fr "ef rnb"r vbojuw'ej"bdr vb"fr sphbub<
- . dpt usvEjpopf "ubrfrn"eb"jn qf ejf "phoj" qpttjcjfrn" dpo lbn jobEjpopf "ef rnb"sf uf "ej" ejt usjcvEjpopf "ef rnb"dr vb" b

n pouf "qf s'f gf up"ej"sjhvshjup<  
dpouf ojn f oup"ef rjwv m"ej"svn psf "qspepup"evsbouf "jrtg o"ejpobn f oup/  
Mb"sjt qpoef oeb"brn"dbsbuuf sjt ydi f "qsf ef uf "ef wf "f ttf sf "dpn qspwub"ebn"ejdi jbsb"ejpof "ej"dpogpsn ju\)

### 5.2.6) Cassette per l'acqua (per vasi, orinatoi e vuotatoi)

Koejqf oef ouf n f ouf "ebrn buf sbrn"dpt ujuv ouf "f "ebrn"tpr"ejpof "dpt usvujwb-"f ttj"ef wpop"sjt qpoef sf "brn dbsbuuf sjt ydi f "tf hvf ouj;  
uspqapqjf op"ej"tf "ejpof "-"brn"eb"jn qf ejsf "jo"phoj"djstpt uboeb"n"gvpsjvt djub"ej"bdr vb"ebn"dbttf ub<  
svcjof up"b"hbrrhhjbouf "di f "sf hprn"t"ogmtt"p"ef m"odr vb-"sf brn"ejpobn"jo"n pep"brn"di f "-"epqp"t"ejpof "ej qv"ejb-"odr vb"gvjt db"bodpsb"of m"oqqbsf ddi jp"tjop"b"sjqsjt jobsf "of rttj"pof "ef r"vbt p"jrtcbuf ouf "e(bdr vb di f "sf brn"t"u"ovub"bj"htb <  
dpt usv"ejpof "brn"eb"jn qf ejsf "phoj"qpttjcjrn"dpoubn job"ejpof "ef m"sf uf "ej"ejt uscv"ejpof "ef m"odr vb"b n pouf "-"qf s'f gf up"ej"sjhvshjup<  
dpouf ojn f oup"ef rjwv m"ej"svn psf "qspepup"evsbouf "jrtg o"ejpobn f oup"VOK'FO"KTP"6246/  
Mb"sjt qpoef oeb"brn"dbsbuuf sjt ydi f "tpqsb"frnodbuuf "tj"jouf oef "tpeejt d"ub"qf s'frn"dbttf uf "ef j"vbtj"r vboep-"jo bccjobn f oup"dp"jrtvbt p-"tpeejt dop"rfrn"qspwf "ej"qv"ejpobn"vdbv"ejpof "ej"dvj"brn"opsn b"VOK'FO": : 8/

Uvuuj"qspepuj"q"p"n buf sbrj"ej"dvj"brn"qsf tf ouf "bsjdprp-"r vbrpsb"qptt bop"fttf sf "epubj"ej"n bsdubw"sb"DF tf dpoep"r"opsn bujwb"uf dojdb"vjhf ouf "-"epwsboop"fttf sf "n vojju"ej"brn"n bsdj jp/

### 5.2.7) Tubazioni e Raccordi

M "wcb"ejpoj" vuj"ebuf "qf s' sf brn"esf "hrj"jn qjbouj" ej" beev"ejpof " ef m"odr vb" ef wpop" sjt qpoef sf " brn qsf tdsj"ejpoj"tf hvf ouj;  
b\* of j"lwcj"n f lbrn"ej"bdjbjp"rfrn"grnubw"sf "qf s'hjvouj"b"vjuf "ef wpop"fttf sf "ef r"ujqp"opsn brn"ejpobn"dp"grnub dpojd"rfrn"grnubw"sf "djroesjdi f "opo"t"pop"bn n f ttf "r vboep"tj"ef wf "hbsboj"sf "r"u"ovub/  
K'lwcj"ej"bdjbjp"ef wpop"sjt qpoef sf "brn"opsn f "VOK'FO"21335" f "VOK'FO"21366/  
K'lwcj"ej"bdjbjp"ejodub"ej"ejbn f usp"n jopsf "ej"n f "ep"qprn"r"t"pop"bn n f ttj"t"prp"qf s'jrt"prn"rhn b f oup"ej vo"t"prp"bqqbsf ddi jp/  
c\* K'lwcj"ej"sb"n f "ef wpop"sjt qpoef sf "brn"opsn b"VOK'FO"2168<jrtm join p"ejbn f usp"ftuf sop"bn n jtjcjrn"à 21"n n /  
d\* K'lwcj"ej"QWD" f "qprj"ujrnof "be"brn"ef otj"j"QFbe\*"ef wpop"sjt qpoef sf "sjt qf ujuvbn f ouf "brn"opsn f "VOK'FO KTP"2563.3" f "VOK'FO"23312<f ousojn cj"ef wpop"fttf sf "ef r"ujqp"QO"21/  
e\* K'lwcj"ej"qjpn cp"t"pop"vjf l"bu"of m"ejt uscv"ejpof "ej"bdr vb/

Uvuuj"qspepuj"q"p"n buf sbrj"ej"dvj"brn"qsf tf ouf "bsjdprp-"r vbrpsb"qptt bop"fttf sf "epubj"ej"n bsdubw"sb"DF tf dpoep"r"opsn bujwb"uf dojdb"vjhf ouf "-"epwsboop"fttf sf "n vojju"ej"brn"n bsdj jp/

### 5.2.8) Valvolame, Valvole di non Ritorno, Pompe

b\* M "wbrn"prn"b"tbsdjof tdb"grnub"buuf "qf s' dpoepuf "e(bdr vb"ef wpop"fttf sf "dpogpsn j"brn"opsn b"VOK'FO 2185/  
M "wbrn"prn"ejt dpoof usj"j"b"usf "vjf "dpousp"jrt"sjpsop"ej"gvmtt"p"ef "epof "ej"qsf ttj"pof "sjepub"ef wpop"fttf sf dpogpsn j"brn"opsn b"VOK'FO"2383: /  
M "wbrn"prn"ej"tjdv"sf "eb"jo"hf of sf "ef wpop"sjt qpoef sf "brn"opsn b"VOK'FO"KTP"5237.2/  
Mb"sjt qpoef oeb"brn"opsn f "qsf ef uf "ef wf "f ttf sf "dpn qspwub"eb"ejdi jbsb"ejpof "ej"dpogpsn ju\dpn qrnubub dpo"ejdi jbsb"ejpoj"ej"sjt qpoef oeb"brn"dbsbuuf sjt ydi f "tqf djgdi f "qsf vjt uf "ebrn"qsphf up/  
c\*)M "qpn qf "ef wpop"sjt qpoef sf "brn"qsf tdsj"ejpoj"qsf vjt uf "ebrn"qsphf up" f "sjt qpoef sf ")b"tf dpoeb"ef j"ujq\*" brn"opsn f "VOK'FO"KTP": : 17" f "VOK'FO"KTP": : 16/

Uvuuj"qspepuj"q"p"n buf sbrj"ej"dvj"brn"qsf tf ouf "bsjdprp-"r vbrpsb"qptt bop"fttf sf "epubj"ej"n bsdubw"sb"DF tf dpoep"r"opsn bujwb"uf dojdb"vjhf ouf "-"epwsboop"fttf sf "n vojju"ej"brn"n bsdj jp/

### 5.2.9) Apparecchi per produzione di acqua calda

Hij't dbræbdr vb"gyoëjpopobuy"b"bht"sjf ousbop"of rñ"qsf tdsjépoj"ef rñ"m"hf "2194"ef rñ"7"ejdf n csf "2: 82/  
Hij't dbræbdr vb"frñusjdj-"jo"puf n qf sboëb"ef rñ"m"hf "2: n bse"2: 79"o/"297-"ef wpop"fttf sf "dpt uvsjy"b  
sf hprñ"e(bsf "f"t pop"dpotjef sbuj"brñ"t f "sjt qpoef ouj"brñ"opsn f "DFK/  
Hij't dbræbdr vb"b"qpn qb"ej"dbpsf "bsjbObdr vb"uspwbop"sjg sjn f oup"of rñ"opsn b"VOK"FO"27258/  
Mb"sjt qpoef oëb"brñ"opsn f "qsf ef uf "ef w"fttf sf "dñ qspwub"eb"ejdi jbsbëjpop"ej"dpogpsn jw")f Op"ebñ  
qsf tf oëb"ej"n bsdj j"VOK"Op"KNR \*/

### 5.2.10) Accumuli dell'acqua e sistemi di elevazione della pressione d'acqua

Qf s"rij'bddvn vñ"vbrñpop"rñ"joejdbëjpoj"sjqpsubf "of rñ"b"sjdpp"tvhij'tjn qjbouj/  
Qf s"rij'bqqsbf ddi j"ej"tpqsbf rñvëjpop"ef rñ"qsf ttjpop")bvupdrñv-"jespbddvn vñrupsj-"tvqsqf ttpsj-"tf scbupj  
tpqsbf rñvby"brñm f obuy"eb"qpn qf \*wbrñ"r vboup"joejdbup"of rñ"opsn f "VOK: 293". "VOKFO"917"vbsj f "qbsuj/

### Art. 5.3 ESECUZIONE DELL'IMPIANTO DI ADDUZIONE DELL'ACQUA

Ko"dpogpsn jw"brñ"b"7-"dñ n b"2-"ef rñ"E/N/"3301203119-"o/"48-"hij'tjn qjbouj"jesdj"e"j"rñ"p"dpn qpop ouj"ef wpop  
sjt qpoef sf "brñ"sf hprñ"ef rñ"b"sf /"Tj"dpotjef sbop"b"sf hprñ"e(bsf "hij'tjn qjbouj"sf brñ"b"jo"dpogpsn jw"brñ"wjhf ouf  
opsn bywb"f "brñ"opsn f "ef rñ"VOK"ef rñ"DFK"p"ej"brñ"foj"ej"opsn brñ"ëjpop"bqqsbf of ouj"bhij'tubuj"n f n csj  
ef rñ"vojpof "f vspqf b"p"di f "t pop"qbsuj"dpousbf ouj"ef rñ"b"dpsep"tvñ"r"qbëj"p"dpopn jdp"fvspqf p/

2" Tj" jout oef "qf s"jn qjbouj"ej"beevëjpop"ef rñ"bdr vb"rñ"otj f n f "ef rñ"bqqsbf ddi jbwsf "-"dpoepuf "-"bqqsbf ddi j  
f sphbupsj"di f "usbtf sjt dpop"rñ"bdr vb"qpubcjrñ")p"r vboep"dpotf ouj"opo"qpubcjrñ"eb"vob"gpouf")bdr vf epup  
qvccrñ"p"qpeëp"p"brñ"b"brñ"bqqsbf ddi j"sf sphbupsj/

Hij'tjn qjbouj-"r vboep"opo"à"ejw"stbn f ouf "ef tdsjup"of hij'tbrñ"epdvn f ouj"qsfhf wvbrñ")p"r vboep"r vf tuj"opo  
tpop"tvëj"ouf n f ouf "ef wbrñ"b"tj"jout oepop"tveejwtj"dpn f "tf hvf ;

b\* Kñ qjbouj"ej"beevëjpop"ef rñ"bdr vb"qpubcjrñ/

c\* Kñ qjbouj"ej"beevëjpop"ej"bdr vb"opo"qpubcjrñ/

M"n pebrñ"qf s"sf sphbsf "rñ"bdr vb"qpubcjrñ"f "opo"qpubcjrñ"t pop"r vf rñ"t lbcjrñ"eb"rñ"dpn qf uf ouj"bvupsjw-  
brñ"r vbrñ"dpn qf uf "jrt"pousp"tvñ"r vbrñ"ef rñ"bdr vb/

Hij'tjn qjbouj"ej"dvj"tpqsbf"tj"jout oepop"gyoëjpopbñm f ouf "tveejwtj"dpn f "tf hvf ;

b\* Gpouj"ej"brñm f ouëjpop /

c\* Sf u"ej"ejt usjcvëjpop "bdr vb"gsf eeb/

d\* Tjt uf n j"ej"qsf qbsëjpop "f"ejt usjcvëjpop "ef rñ"bdr vb"dbreb/

3"Qf s"rñ"sf brñ"ëjpop"ef rñ"ejw"stf "qbsuj"gyoëjpopbrñ"tj"vñ"ëjpop"j"n buf sbrñ"joejdbuj"of j"epdvn f ouj"qsfhf wvbrñ/  
Rvbrñ"opo"tj"bop"tqf djgdbuj"jo"ef wbrñ"of rñ"qsfhf wv"pe"b"tvp"dpn qf rñ"b"ouf"tj"sjt qf uf sboop"rñ"qsf tdsjépoj  
tf hvf ouj"r vf rñ"hj"U"gpsojuf "qf s"j"dpn qpop ouj"vbrñ"joprasf -"r vbrñ"qsf tdsjépop"vñ"sjpsf "b"dvj"gp"sjg sjn f oup-  
rñ"opsn b"VOK: 293". "VOK"FO"917"rñ"VOK: 622/

b\* M"gpouj"ej"brñm f ouëjpop"ef rñ"bdr vb"qpubcjrñ"t bsoop"dpot ujujuf "eb;

2\* bdr vf epuj"qvccrñ"hf tuj"p"dpousp"rñ"vbrñ"qvccrñ"bvupsjw"pqqvsv

3\* tjt uf n b"ej"dbqubëjpop")qpeëj-"f dd/\*"gpsof ouj"bdr vb"sjdpopt djvub"qpubcjrñ"ef rñ"dpn qf uf ouf "bvupsjw<  
pqqvsv

4\* brñ"gpouj"r vbrñ"hsboej"bddvn vñ"t lbcjpoj"ej"qpubcjrñ"ëjpop /

Hij'tbddvn vñ"K"hsboej"bddvn vñ"t pop"tphhf uj"brñ"qvccrñ"di f "bvupsjw"t prñ"b"ouf "epubj"ej"tjt uf n b  
bvupn bydp"ej"qpubcjrñ"ëjpop \*ef wpop"fttf sf "qsf wv ouj"b"ouf "bvupsj"ëj"eb"bvupsjw"dpn qf uf ouf  
f "dpn vor vf "qpttf ef sf "rñ"tf hvf ouj"dbsbuuf sjt ujdj f ;

. fttf sf "b"uf ovub"jo"n pep"eb"jn qf ejf "jor vjobjn f ouj"eb"rñ"t uf sop<

. fttf sf "dpt ujuj"dpn"n buf sbrñ"lopo"jor vjobjn"opo"upttj"j"di f "n bouf ohbop"rñ"p"dbsbuuf sjt ujdj f  
of rñ"n qp<

. bw sf "rñ"qsf tf "e(bsjb"e"jrt"uspqqqj op"qspuf uj"dpn"ejt qptjujw"grñ"b"ouj"dpogpsn j"brñ"qsf tdsjépoj  
ef rñ"bvupsjw"dpn qf uf ouj<

. fttf sf "epubj"ej"ejt qptjujw"di f "bttjdvj"jrt"sdn cjp"upbrñ"ef rñ"bdr vb"dpouf ovub"phoj"evf "hjpsoj"qf s  
tf scbupj"dpn"dbqbdjw"jop"b"41"n m"e"vo"sjdbn cjp"ej"opo"n f op"ej"26"n m"hjpsobrñ"sj"qf s"tf scbupj  
dpn"dbqbdjw"n bhjpsf <

. fttf sf "tpupqptj"b"ejtjogëjpop"qsin b"ef rñ"n fttb"jo"ftf sdjéj"j"qf sjejdbn f ouf "qvruj" f  
ejtjog ubj\*/

c\* M"sf u"ej"ejt usjcvëjpop"ef rñ"bdr vb"ef wpop"sjt qpoef sf "brñ"tf hvf ouj"dbsbuuf sjt ujdj f ;

- . rfi"drpooof "n pouboj"ef wpop"qpttf ef sf "brn"cbtf "vo"pshbop"ej"jouf sdf ub€jpf ")wbrp"r"-f dd/\*-"dpo pshbop"ej"ubsbvuf"ef rni"qsf ttjpf -"f "ej"svcjof up"ej"t dbsdj"j)dpoejbn f usp"n join p"203"qprpaf \*-"rft uf ttf "drpooof "brn"tpn n jw"ef wpop"qpttf ef sf "vo"bn n psj€€bpsf "ej"drp"e(bsjf uf /"Of rni"sf uj"ej qjddp"r"t uf otjpf "rni"qsf tds€jpoj"qsf ef uf "tj"bqqrj"bop"dpoe"hrj"pqqpsuwoj"bebubn f ouj<
- . rfi"ucb€jpoj"ef wpop"fttf sf "qptbf "b"ejt ubo€"ebm"qbsf uj"tv€€djf ouf "b"qf sn f uf sf "r"n poubhj"p"r"dpssf ub"tf dv€jpf "ef j"sjwf tujn f ouj"qspuf ujjwf"Op"jt prbouj/"Mb"dpogsn b€jpf "ef wf "qf sn f uf sf "jm dpn qrfup" tvwpbn f oup" f " rfi rjm job€jpf " ef rnsjb/" Rvboep" tpop" jodm"tf" sf uj" ej" djsdprb€jpf ef rndr vb"drab"qf s"vtp"tbojbsj"r vf tuf "ef wpop"fttf sf "epubf "ej"dpn qf otbupsj"ej"ejrbub€jpf "f "ej qvouj"ej"gttbhjp"jo"n pep"ubrf"eb"gs"n bouf of sf "r"dpogsn b€jpf "wpmub<
- . rfi"drpndb€jpf "ef j"wcj"ef rndr vb"opo"ef wf "bwf ojsf "brn"ouf sop"ej"dbcjof "f rnujdi f -"brtej"tpqsb"ej rvbesj"bqqbsf ddi jbwvf "f rnujdi f -"pe"jo"hf of sf "ej"n buf sjbrj"di f "qpttpop"ejwf ojsf "qf sjdprt"jt"tf cbhobuj"ebm"dr vb-"brn"ouf sop"ej"jn n poef €€j"ef "ej"rdbj"epwf "tpop"qsf tf ouj"tpt ubo€"jor vjobouj/ Kopruf "j"wcj"ef rndr vb"qf eeb"ef wpop"dpssf "jo"qpt€jpf "t pupt ubouf "j"wcj"ef rndr vb"drab/"Mb qptb"of usp"qbsj"n vsbsj "à"eb"f wjbsf /"Rvboep"dj "opo"à"qpttjcj"j"wcj"ef wpop"fttf sf "sjwf tujj"dpoe n buf sjbrj"jt prbouf "f "dpn qsjn jcjrf-"ef rnt"qf ttspf "n join p"ej"2"dn <
- . rfi"qptb"jouf ssub"ef j"wcj"ef wf "f ttf sf "f gf uwbub"b"ejt ubo€"ej"brn f op"vo"n f usp")n jt vsbup"usb"rft tvqf sgdj"ftuf sof \*"ebm"ucb€jpoj"ej"t dbsdj/"Mb"hf of sbusj"jog sjsf "ef wf "f ttf sf "tf n qsf "brtej tpqsb"ef r"qvoup"qjò"brp"ef j"wcj"ej"t dbsdj/"K"wcj"n f ubrj"ef wpop"fttf sf "qspuf uj"ebm"€jpf dpssptjwb"ef r"sf op"dpoe"bef hvbu"sjwf tujn f ouj")p"hvbjof \*f "dpousp"j"r"qf sjdpr"ej"wf ojsf "qf sdpst"j"eb dpssf ouj"wbhobuj<
- . of rnu"ubwv stbn f oup" ej" tsvuvf "wf sjbrj" f e" psj€€poubrj" j" wcj" ef wpop" tdpssf "brn"ouf sop" ej dpouswvcj" ej" bddjbjp-" qrttjdb-" f dd/" qsf wf oujbn f ouf "jotubruj-" bwf ouj" ejbn f usp" dbqbd" ej dpouf of sf "bodi f "r"wf oubrf"sjwf tujn f oup"jt prbouf /"K"dpouswvc"ef wf "sf tjt uf sf "be"wf oubrj"b€jpoj bhhsf ttjwf < r"ouf stqb€j" sf toubf "usb" wcp" f " dpouswvc" ef wf "f ttf sf "sjf n qjup" dpoe" n buf sjbrj jodpn cvtj"j"qf s"uub"r"mohi f €€b/"Ko"hf of sbri"tj"ef wpop"qsf wf ef sf "bef hvbu"tvqqpsj"tjb"qf s rfi"ucb€jpoj"tjb"qf s"hrj"bqqbsf ddi j"rvbrj"wbm"r"-f dd/-"f e"jopruf -"jo"yo€jpf "ef rni"tuf otjpf "f e boebn f oup"ef rni"ucb€jpoj-"dpn qf otbupsj"ej"ejrbub€jpf "uf sn jdb<
- . rfi"dpjcf oub€jpoj"ef wpop"fttf sf "qsf vjt uf "tjb"qf s"j"gf opn f oj"ej"dpoe"otb"ef rni"qbsj"opo"jo"vjt ub"ef j wcj"ej"bdr vb"qf eeb-"tjb"qf s"j"wcj"ef rndr vb"drab"qf s"vtp"tbojbsj/"Rvboep"of df ttbsj"ef wf f ttf sf "dpotjef ssub"r"qspuf €jpf "ebj"gf opn f oj"ej"hf r/

d\* Of rni" sf brn"€jpf "ef rni"qjboj"tj" ef wpop"jopruf" sjtqf ubsf "rni" ejt ubo€" n join f " of rni" qptb" ef hrj bqqbsf ddi j"tbojbsj"opsn b"VOK": 293" f "rni"ejt qpt€jpoj"qbsjdrpsj"of df ttbsj "b"hsboujsf "r"ddf ttjcjru"r"beubcjru"(" f " rni" vjt jbcjru" ef hrj" f ejgdj" qsjwuj" f " ej" f ejrj"b" sf tjef o€jbrf" qvccrj"b"tpwv o€jpopub" f bhf vprub")e/QS/"49103112"t/n /j/-"f "E/N/"34709: \*

Of j"rdbj"eb"cbhop"tpop"eb"dpotjef sbf "rni"qsf tds€jpoj"sf r"ujwf "brn"tjdvf €€b")ejt ubo€"ef hrj"bqqbsf ddi j tbojbsj-"eb"qbsj"ef rni"qjboj"rnujdi"dpotjef f "joejdbup"of rni"opsn b"DFK75.9/

Bj"goj"ef rni"rjm jub€jpf "ef rni"ubtn jtjpf "ef r"svn psf "f "ef rni"vjcsb€jpoj-"pruf"b"tdf hrj"sf "dpn qpof ouj dpoe"cbttj"rjw rj"ej"svn psptjw")f "tdf r"qsfhf uwbj"bef hvbu"jo"gtf"ej"ftf dv€jpf "tj"dvf s"ej bepufsf "dpssf uf "t€jpoj"jouf sof "ef rni"ucb€jpoj"jo"n pep"eb"opo"tvqf sbf "rni"wf r"djw"ej"tdpssj n f oup ef rndr vb"qsf vjt uf -"rjm jbsf "rni"qsf ttjpoj"ef j"gvj"tpqsbuup"qf s"rvboup"sjhvseb"hrj"pshboj"ej jouf sdf ub€jpf "f "dpousp"sjevsf "rni"wf r"djw"ej"spub€jpf "ef j"n pupsj"ej"qpn qf -"f dd/"jo"rjof b"ej qsjodqj"opo"n bhhsj"ej"2/611"hsjOn jovp\*/"Ko"gtf"ej"qptb"tj"dvf s"r"ftf dv€jpf "ef j"ejt qptj"vj"ej ejrbub€jpf -"tj"jotf sjsboop"tvqqpsj"boujvcsbou" f e"bn n psj€€bpsj"qf s" f wjbsf "rni"qspqbhb€jpf "ej vjcsb€jpoj-"tj"vtf sboop"jt prbouj"bdvtujj"jo"dpssj qpoef o€b"ef rni"qbsj"eb"n vsbsf /

4"Mb"Ejsf €jpf "ef j"bwpsj"qf s"r"sf brn"€jpf "ef rni"qjboj"ej"beev€jpf "ef rndr vb"pqf sf s"dpn f "tf hvf /

b\* Of r"dpst"ef rni"ftf dv€jpf "ef j"bwpsj-"dpo"sjf sjn f oup"bj"uf n qj"e"brn"qspdf evsf -"wf sigdi f s"vjb"vjb"di f "j n buf sjbrj"n qj"hbuj" f "rni"uf dojdi f "ej"ftf dv€jpf "tjboj"gf uwbubn f ouf "r"vf rni"qsf tdsjuf "f e"jopruf -"qf s"rni qbsj"ef tujobu"b"opo"sf tbsf "jo"vjt ub"p"di f "qpttpop"jogvjsf "of hbujbn f ouf "tvrtgvo€jpopn f oup"gobrf-wf sigdi f s"di f "r"ftf dv€jpf "tjb"dpf sf ouf "dpo"r"vf rni"dpodpseb")r vtub"wf sigdb"qpusj"fttf sf "f gf uwbub bodi f "jo"gsn b"dbtvbrf"t ubtjdb"of r"dbt"ej"hsboej"pqf sf \*/

Ko"qbsjdrpsf "wf sigdi f s"r"hfvo€jpoj"dpoe"hrj"bqqbsf ddi j-"j"r"ovn f sp" f "rni"ejt rdb€jpf "ef j"tvqqpsj-"ef hrj f rni"ouj"ej"ejrbub€jpf -"ef hrj"rni" f ouj"boujvcsbou"-f dd/

c\* Brhuf sn jof "ef rni"otubru€jpf "wf sigdi f s"di f "tjboj"ftf hvjuf "ebm"otubru"psf "f "tpuptydjuf"jo"vob ejdi jbsb€jpf "ej"dpogsn jw"rni"pqf sb€jpoj"ej"qsf rwbhjhj-"ej"rwbhjhj"qspmhobup-"ej"ejtjog €jpf "f "ej sjt djbr vp" gobrf"dpoe"bdr vb"qpubcjrf/"Ef ub"ejdi jbsb€jpf "sjqpsf s"jopruf "j"sjt vrbuj"ef r"r"vav")qspw jesbvrij"di f -"ej" f sphb€jpf -"rjw rni"ej"svn psf \*/Uvuf "rni"pqf sb€jpoj"qsf ef uf "tbsboop"dpoeuf "tf dpoe"rni ops n b" VOK : 293- "qvouj" 36" f " 38/" Brhuf sn jof "rni" Ejsf €jpf "ef j"bwpsj" sbddphrj" s"jo"vo"gt djdrp"j epdvn f ouj" qsfhf uwbj"qjò"tjhogdbuj"bj" goj" ef rni" tvddf ttjwb"hf tujpf "f "n bovuf o€jpf ")tdi f n j ef rni"qjboj-"ef ubhrj"dpousvuj"t di f ef "ej"dpn qpof ouj"dpoe"ebu"ej"ubshb"-f dd/\*opodi è"rni"jt usv€jpoj"qf s

ra"n bovf oEjpoj "sjt qpoef sf "brn"sf hprn"ef n"opsf /"Tj" dpoetjef sbop"b"sf hprn"e(bsf "hprn"jn qjbou"sf brn"ej"jo  
gsf r vf oE"ef n"n"pqf sbEjpoj\*/

**Art. 5.4**  
**IMPIANTO DI SCARICO ACQUE USATE**

Ko" dpogpsn jw" brn"7-" dpn n b"2-" ef rñE/N/" 3301203119-" o/" 48" f "t/n /j/" hprn"jn qjbou"jesjd" f e"j" rpsp  
dpn qpoef ou"ef wpop"sjt qpoef sf "brn"sf hprn"ef n"opsf /"Tj" dpoetjef sbop"b"sf hprn"e(bsf "hprn"jn qjbou"sf brn"ej"jo  
dpogpsn jw" brn" wjhf ou" opsn bujw" f "brn" opsn f " ef n"VOK" ef rñDFK" p" ej" brn" Fou" ej" opsn brn"ej"jo  
bqqsbf of ou" bhj" Tubj" n f n csj" ef n"ojpof "f vspqf b" p" di f "tpop" qbsj" dpousbf ou" ef n"ddpsep" tvn" t qbEj  
f dpopn jdp" f vspqf p/

Koprusf "rjn qjbou"ej"tdbsjdp"ef n"bdr vf "vtbuf "ef w" f ttf sf "dpogpsn f "brn"ej"t qptjEjpoj"ef n"Qbsf "KK"ef m  
e/rnt/"4"bqsjrn"3117-"o/"263" f "t/n /j/")Opsn f "jo"n buf sjb"bn cjf oubrn\*/

Tj" jof oef " qf s" jn qjbou" ej" tdbjdp" ef n" bdr vf " vtbuf " rñotj f n f " ef n" dpoepuf "-" bqqsbf ddi j-" f dd/" di f  
usbtg sjt dpop" rñodr vb"ebrn"voup"ej"vujEj"brn"ghob"qvccrjwb/

Kftjtuf n b"ej"tdbsjdp"ef w" f ttf sf "joejqf oef ou" ebrn"jtuf n b"ej"tn brjn f oup"ef n"bdr vf "n f uf psjd f "brn f op  
gop"brn"voup"ej"jn n jtjpoj" of n"ghob"qvccrjwb/

Kftjtuf n b"ej"tdbsjdp"qv" f ttf sf "tveejwtp"jo"dbtj"ej"of df ttjw"jo"qjò"jn qjbou"dpowphj"ou"tf qbsubn f ouf  
bdr vf "g dbjn"bdr vf "tbqoptf "-"bdr vf "hsbtft /"Kftn pep"ej"sf dbqjup"ef n"bdr vf "vtbuf "tbsj"dpn vor vf "dpogpsn f  
brn"qsf tdsjEjpoj"ef n"dpn qf uf ou"bvupsjw/

Mjn qjbou"ej"dvj"t pqs"tj"jof oef "g oEjpojbrn f ouf "tveejwtp"dpn f "tf hvf ;

- qbsf "ef t jobub"brn"dpowphj"ou f oup"ef n"bdr vf ")sbdpsep"ej"sb n bEjpoj-"dprpof "-"dprnupsj\* <
- qbsf "ef t jobub"brn"wf oujEjpoj" qsjn bsjb <
- qbsf "ef t jobub"brn"wf oujEjpoj" tf dpoesjb <
- sbdprb" f "tprn"wb n f oup"t pup"r vpb <
- usubn f oup"ef n"bdr vf /

Qf s"ra"sf brn"ej"jo"ef n"ejw stf "qbsj" g oEjpojbrn"tj"vujEj" sloop"jn buf sbrj"ef e"j" dpn qpoef ou"joejdbj"of j  
epdvn f ou"qshf wbrj"ef e"b"rps"dpn qrnubn f oup"tj"sjt qf uf sloop"rñ"qsf tdsjEjpoj"tf hvf ou/

Wbrn"joprusf "r vbrn"qsf djt bEjpoj "vuf sjps "b"dvj" d"sf "sjg sjn f oup"ra"opn b"VOKFO"23167/

2\* K'wci"vujEj"ej"ef wpop"sjt qpoef sf "brn"tf hvf ou"opn f ;

- wci"ej"bdjbjp"ej"odup;"VOKFO"21335" f "VOKFO"21366")j"rps"vtp"ef w" f ttf sf "rjm jubup"brn"bdr vf "ej  
tdbsjdp" dpo" qpd f "tptboef "jo"tptqf otjpoj "f "opo"tbqoptf \*/"Qf s"ra"ej"odubw"tj" d"sjg sjn f oup"brn  
opn f "tvj" usubn f ou" hbrn"ojdj/" Qf s"j" wci"ej" bdjbjp" sjw tuj-"j"rsw tuj f oup"ef w" sjt qpoef sf "brn  
qsf tdsjEjpoj"ef n"opn f "VOKKTP"6367-"VOKFO"21351-"VOK: 1: : -"VOK21527.2" f tjt uf ou")qprjn ujrfn f -  
cjuv n -"f dd/\*" f "dpn vor vf "opo"ef w" f ttf sf "eboof hhjub"p"t lbdubp<"jo"lbrn"p"ef w" f ttf sf "rjm jobup  
jrtwcp<
- wci"ej"hi jt b;"ef wpop"sjt qpoef sf "brn"VOKFO"988-" f ttf sf "ef rñjq"df oujg/hbup" f "sjdpup-"qpttf ef sf  
sjw tuj f oup"jof sop"ej"dbusn f -"sf tjob" f qpttjEjdb" f e" f ttf sf "f tuf sobn f ou" dbusn buj"p"wf sojdbj" dpo  
wf sojdf "bojvhhjof <
- wci"ej"hsf t;"ef wpop"sjt qpoef sf "brn"VOKFO"3: 6<
- wci"ej"gcspdf n f oup<"ef wpop"sjt qpoef sf "brn"VOKFO"699<
- wci"ej"dbdr"t usEj"bsn bup"op"bsn bup"ef wpop" f ttf sf "dpogpsn j"brn"opn f "wjhf ou<
- wci"ej"n buf sbrn"qrt ljd;"ef wpop"sjt qpoef sf "brn"tf hvf ou"opn f ;  
wci"ej"QAD"qf s" dpoepuf "brn"ouf sop"ef j" d"ccsjdbj;"VOKFO"243: .2<  
wci"ej"QAD"qf s" dpoepuf "jof ssubf ;"opn f "VOK"bqqrjalbcjrk<  
wci"ej"qprjn ujrfn f "be"brn"ef otjw")Qf be\*"qf s" dpoepuf "jof ssubf ;"VOKFO"23777.2<  
wci"ej"qprjn ujrfn f "QQ\*;"VOKFO"2562.2<  
wci"ej"qprjn ujrfn f "be"brn"ef otjw")Qf be\*"qf s" dpoepuf "brn"ouf sop"ef j" d"ccsjdbj;"VOKFO"262: .2/

3\* Qf s"rñ"brn"dpn qpoef ou" wbrn"r vbou"tf hvf ;

- qf s" rñ"tdbsjdi j" f e" j" t"jpoj" ej" bqqsbf ddi j" tbojbsj" w ef sf " bsjdprn" tvj" dpn qpoef ou" ef n"jn qjbou" ej  
beevEjpoj"ef n"odr vb<
- jo"hf of sbrn"jn buf sbrj"ej"dvj"t pop"dpt ujwjuj"j"dpn qpoef ou"ef rñjtuf n b"ej"tdbsjdp"ef wpop"sjt qpoef sf "brn  
tf hvf ou" d"sbu f sjt jdi f ;  
b\* n join b"t d"bcf E"b"brn"jof "ej"pqqs" rñ"n join b"sf tjtuf oE"brn"pvjn f oup"ef n"odr vb<  
c\* jn qf sn f bcjru"brn"odr vb" f e"bj" hbt"qf s"jn qf ej" j" g opn f oj"ej"usbtvebn f oup" f "ej" g"psvt djub"pepsj<  
d\* sf tjtuf oE"brn"ej"poj" f bhhsf ttjw" f tf scjub" ebrn"tptboef "dpouf ovuf "of n" bdr vf "ej"tdbsjdp-" dpo



- qbsjdprbsf "sjg sjn f oup"b"r vf rñ"ef j"ef uf stjw"ef rñ"brnsf "tpt uboef "di jn jdi f "vtbuf "qf s'rbwvhj<
- e\* sf tjt uf oeb"brñ"ejpof "uf sn jdb"ef rñ"bdr vf "bwf ouj"uf n qf sbwuf "tjop"b": 1±D"djsdb<
- f\* pqbdjw"brñ"rñd"qf s'f vjbsf "j"gf opn f oj"di jn jdj"ef "cbuf sjrphjdj"gwpsju"ebñ"ñsbejbejpoj"rñ joptf <
- g\* sf tjt uf oeb"brñ"ñsbejbejpoj"VV"qf s'j"dpn qpof ouj"ftqptj"brñ"rñd"tprbsf <
- h\* sf tjt uf oeb"bhj"vsj"bcdjef oubrij
- . Ko"hf of sbrñ"j"aspepuj"ef e"j"dpn qpof ouj"ef wpop"jopnsf "sjt qpoef sf "brñ"t"ef hvf ouj"dbsbuf sjt ydi f ;
- i \* dpogsn bejpoj "tf oeb" tqpshf oef "brñ"ouf sop" qf s' f vjbsf "jrñef qptjup" ej" tpt uboef "dpouf ovuf "p
- usbt qpsubuf "ebñ"bdr vf <
- j\* t ubcjw"ej"gnps b"jo"tf ot p"tjb"rphjwejobrñ"tjb"usbt wf stbrñ<
- rñ tf ejpoj"ej"bdddqajbn f oup"dpogddf "usbt wf stbrñ"qf sqf oejdprbsj"brñ"ottf "rphjwejobrñ<
- n \* n jojn b"fn jt tjpof "ej"svn psf "of rñ"dpoejpoj"ej"vtp<
- o\* evsbcjw"dpn qbujcjrñ"dpog"r vf rñ"ef rñ"ejgdj"of rñ vbrñ"tpop"n pouuj<
- . hrñ bddvñ vjrl f "tprñwbn f ouj" ef wpop" f ttf sf "b" uf ovub" ej" bsjb" qf s' jn qf ejsf "rñ" ejgytjpoj "ej" pepsj
- brñ"tuf sop-"n b"ef wpop"bwf sf "vo"dpñrñhbn f oup"dpog"rñ"tuf sop"b"n f eep"ej"vo"uwcp"ej"wf oujbejpoj"ej
- tf ejpoj"opo"jogf sjpsf "b"n f w"ef rñwcp"p"ef rñ"tjn b"ef rñ"tf ejpoj"ef j"wcj"di f "dpowphrjop"rñ"bdr vf
- of rñ"bddvñ vrp<
- . rñ"qpn qf "ej"tprñwbn f oup"ef wpop" f ttf sf "ej" dpt uvejpoj "ubrñ"eb"opo" joubt bstj"jo" qsf tf oeb"ej" dpsqj
- tprñej"jo"tptqf otjpoj "rñ"dvj"ejn f otjpoj "n bttjn b"bn n jt tjcjrñ"à"ef uf sn jobub"ebñ"n jt vsb"ef rñ"n bhjñ
- ej"vob"hsjhrj"ej"qspuf ejpoj "eb"jotubnsf "b"n pouf "ef rñ"qpn qf /

Qf s' rñ" sf brñ"ejpoj "ef rñ"qjbou"tj" vujef sboop"j" n buf sbrñ"j" dpn qpof ouj" f "rñ" n pebrñ" joejdbuf "of j

epdvn f ouj"qspfhf wbrñ"j" dvj"ef rñc psuj"hsbjdj"epwsboop"sjtqf ubsf "rñ"dpowf oejpoj"ef rñ"opsn b"VOK: 622.6-"f

r vbrñsb" opo" tjop" taf djgdbuf "jo" ef ubhrj" of rñqspfhf up" pe" b" tvp" dpn qrñubn f oup" tj" sjtqf uf sboop" rñ

qsf tdsjejpoj"tf hvf ouj/

- Wbrñ"jopnsf "r vbrñ"qsf tdsjejpoj "vñf sjpsf "b"dvj"gsf "sjg sjn f oup"rñ"opsn b"VOKFO"23167/
- 2\* Of rñ tvp" jotjñ f "rñ"qjbou" ef w" f ttf sf "jotubnsf" jo" n pep" eb" dptof ouj" rñ" djdjñ f "sbqjeb
- n bovuf oejpoj "f"qvrñ"ef wf "qf sn f uf sf "rñ"tpt uvejpoj "bodi f "b"ejt uboeb"ej"uf n qp"ej"phoj"tvb"qbsuf
- tf oeb"hsbvptj"p"opo"qsf vjt u"jouf svf ouj"ejt usv uvj"ej"brñ"j" f rñ" f ouj"ef rñ" dpt usv oejpoj "ef wf "qf sn f uf sf
- rñ"tuf otjpoj "ef rñ"tj uf n b-"r vboep"qsf vjt u-"f e"jrñ tvp" djdjñ"dpñrñhbn f oup"be"brñ"tj uf n j"bobrñhi /
- 3\* M" wcb"ejpoj"psjeepoubrjñ"wf sjdbrjñ"ef wpop" f ttf sf "jotubnsf" jo"brñ"of bn f oup"tf dpoep"jrñqspqsj" bttf -
- qbsbrñrñ"brñ"qbsf uj"f "dpo"rñ"qf oef oeb"ej"qspfhf up/"Fttf "opo"ef wpop"qbt tbsf "t pqs"bqqsbsf ddi j" f rñusjdj
- p"tjn jrñs"p"epwf "rñ"wf w oubrjñ"gpjsvtdjñ" qpttpop"qspwdbsf "jor vjobn f ouj/"Rvboep" dji "à"jof vjbcjrñ
- ef wpop" f ttf sf "qsf vjt u" "bef hvbvf "qspuf ejpoj"di f "dpowphrjop"j"jrñ vjej"jo"vo"qvoup"ej"sbddpnb/"Rvboep
- bqqrñbcjrñ"vbrñ"jrñE/N/"23"ejdf n csf "2: 96"qf s' rñ" wcb"ejpoj"jouf ssubf /
- 4\* K'sbddpsej" dpo" dvswf "f" qf eej"tqf djbrjñ"ef wpop"sjtqf ubsf "rñ"joejdb"ejpoj"qsf ef uf "qf s'hrjñbrjñ"of bn f ouj"rñ
- ejt dpojuvju"rñ"qf oef oef -"f dd/
- M" dvswf "be"bohprñ"sf up"opo"ef wpop" f ttf sf "vtbuf "of rñ"dpooft ttpoj"psjeepoubrjñ"tpop"bn n f ttf "usb"wcj
- wf sjdbrjñ"ef"psjeepoubrjñ"tpop"eb" f vjbsf "rñ"dpooft ttpoj"epqqjñ "f"usb"rñsp"gpoubrjñ"ef"j"sbddpsej"b"U/"K
- dpñrñhbn f ouj"ef wpop"bwf ojsf "dpo"pqqsuob"jodjbejpoj"sjtqf up"brñ"ottf "ef rñ" wcb"ejpoj"sjdf wf ouf "f e
- jo"n pep"eb"n bouf of sf "brñ"of bu"rñ"hf of sbusjdj"tvqf sjpsj"ef j"wcj/
- 5\* K'dbn cjbñ f ouj"ej"ejsf ejpoj "ef wpop" f ttf sf "gbuj" dpo"sbddpsej"di f "opo"qspvdbop"bqqsf eebcjñ"lwsjbejpoj
- ej"wf rñdjw"pe"brñ"j"gf uj"ej"sbñ"oubn f oup/
- M" dpooft ttpoj" jo" dpsjt qpoef oeb" ej" tqptubn f oup" ef rñ"ottf "ef rñ" dpooft "ebñ" wf sjdbrñ" ef wpop
- bwf ojsf "be"pqqsuob"ejt uboeb"ebñ"tqptubn f oup" f "dpn vor vf "b"opo"n f op"ej"21"vñrñ"jrñejbn f usp"ef m
- wcp" f e"brñ"j"gpjsj"ef rñsbup"ej"qpttjcjrñ"gnps bejpoj "ef rñ"tdi jvn f /
- 6\* Hrjñubddi j"ef j"sbddpsej"ej"wf oujbejpoj "tf dpoesjb"ef wpop" f ttf sf "sf brñ"ej" dpo" f "joejdbup"of rñ"opsn b
- VOK' FO' 23167/"M" dpooft "ej" wf oujbejpoj "tf dpoesjb-"r vboep"opo" i boop"vob" gpjsvtdjub" ejsf ub
- brñ"tuf sop-"qpttpop;
- . f ttf sf "sbddpsebu" brñ" dpooft "ej"tdbsjd"be"vob"r vpub"ej"brñ f op"26"dn "qjò" f rñwub"ef rñcpsep
- tvqf sjpsf "ef rñspqqqjñ op"ef rñ"bqqbsf ddi jp"dpñ"dbup"brñ"r vpub"qjò"brñ"of rñ"ejgdj<
- . f ttf sf "sbddpsebu"brñejt pup"ef rñqjò"cbt t"sbddpsej"ej"tdbsjd<
- . ef wpop" f ttf sf "qsf vjt u" dpooft ttpoj"jouf sn f ejf "usb"dpooft "ej"tdbsjd" f "wf oujbejpoj"brñ f op"phoj"21
- dpooft ttpoj"of rñ"dpooft "ej"tdbsjd/
- 7\* K'uf sn jobrñ"ef rñ"dpooft "gpjsvtdf ouj"wf sjdbrñ f ouf "ebñ"dpqf svswf "ef wpop" f ttf sf "b"opo"n f op"ej"1-26
- n "ebñ"t usbeptp"qf s' dpqf svswf "opo"qsbujdbcjrñ"ef "b"opo"n f op"ej"3"n "qf s' dpqf svswf "qsbujdbcjrñ"Rvftj
- uf sn jobrñ"ef wpop"ejt ubsf "brñ f op"4"n "eb"phoj"gof tusb"pqqs" f ttf sf "be"brñ f op"1-71"n "ebñ"cpsep"qjò
- brñ"ef rñ"jof tusb/
- 8\* Qvouj"ej"jtqf ejpoj "ef wpop" f ttf sf "qsf vjt u" dpo"ejbn f usp"vhvbrñ"b"r vf rñ"ef rñwcp" gop"b"211"n n -"f "dpo
- ejbn f usp"n jojn p"ej"211"n n "of hrjñbrñ"dbtj/
- Mb"rñsp"qptjejpoj "ef wf "f ttf sf ;

- . brtuf sn jof "ef rnb"sf uf "jouf sob"ej"tdbsjdp"jotjf n f "brt"jgpop "f "be"vob"ef sjvbejpop <
  - . be"phoj"dbn cjp"ej"ejsf ejpop "dpo"bohprn"n bhjpsf "ej"56±<
  - . phoj"26"n "ej"qf sdpsp"rjof bsf "qf s"wcj" dpo"ejbn f usp"tjop"b"211"n n "f e"phoj"41"n "qf s"wcj" dpo ejbn f usp"n bhjpsf <
  - . be"phoj"dpogv of eb"ej"evf "p"qjò"qspvf of oef <
  - . brnb"cbtf "ej"phoj"dpooob/  
Mf "jt qf ejpoj"ef wpop"f ttf sf "bddf ttjcjrj"ef e"bwf sf "tqbej"tvogdjf ouy"qf s"pqf sbf "dpo"hrjt vuf otjrtj"ej"qvrtjeb/  
Baqbsf ddi j"gdjrn f ouf "sjn pwcjrj"qpttpop"gyohf sf "eb"jt qf ejpoj/  
Of rtdbtp"ej"wcj"jouf ssbj" dpo"ejbn f usp"vhvbrfn"p"tvqf sjpsf "b"411"n n "cjtphob"qsf wf ef sf "apgef uj"ej jt qf ejpop "be"phoj"dbn cjp"ej"ejsf ejpop "f"dpn vor vf "phoj"51 61"n /
- 9\* K'tvqapsj"ej"wcj"ef e"baqbsf ddi j"ef wpop"f ttf sf "tubjdbn f ouf "bggebcjrj"evsbcjrj"of rtf n qp"f "ubrjleb"opo usbn f uf sf "svn psj"ef "vjcsbejpoj" Mf "wcb"ejpoj" wboop"tvqapsubf "be"phoj"hjvoejpop <f e"joprusf "r vf rnf wf sjdbrrj"lbn f op"phoj"3-6"n "f"r vf rnf"psjeepoubrj"lphoj"1-6"n "qf s"ejbn f usj"qop"b"61"n n "phoj"1-9"n "qf s ejbn f usj"qop"b"211"n n "phoj"2-11"n "qf s"ejbn f usj"pusf "211"n n /"K'rn buf sbrfn"ef j"tvqapsj"ef wf "f ttf sf dpn qbucjrj"di jn jdbn f ouf "f"jo"r vboup"b"evsf eeb" dpo"jrtm buf sbrfn"dpt ujf of "jrtwcp/  
: \* Tj"ef wpop" qsf wf ef sf "hjvuj"ej"ejrtubejpop -"qf s"j"usbu" mohi j"ej" wcb"ejpoj" jo"sf rbejpop "brtn buf sbrfn dpt ujf of "f e" brnb" qsf tf oeb" ej" qvou" gttj" rvbrj" qbsj" n vsbf "p" vjodpruf "sjhjebn f ouf /" Hrn busbwf stbn f ouj"ef rnf"qbsf y"b"tf dpoeb"ef rnb"rpsp"dpmpdb"ejpop "qpttpop"f ttf sf "qf s"jodbtp"ejf up-"dpo vjrtubejpop "ej"n bojdpuj"ej"qbtbhj"dpousw"cj"pqapsu"obn f ouf "sjf n qju"usb"wcp"f"n bojdpup-"dpo gsp"qsf ejt qtp"qf s"rtubtbbhj"jo"n pep"eb"ef vjbsf "qvou"ej"vjodprp/  
21\* Hrttdbsjdi j"b"qbwjn f oup"brn"ouf sop"ef hrjtbn cjf ouj"ef wpop"tf n qsf "f ttf sf "tjgobuj" dpo"qpttjcjrj"ej vo"tf dpoep"bubddp/

Kn qjboj"usbun f oup"ef rnbdr vb/

2 Mf hjt rbejpop "jo"n buf sjb/

Hrtjrn qjboj"ej"usbun f oup"ef wpop"f ttf sf "qspfh ubj-"jotubruj"ef "dpnrubej"jo"n pep"di f "rnf"bdr vf "eb f ttf sf ggvf ouj"qsjn b"ej" f ttf sf "dptof hobuf "brtsf dbqjup" gobrnf"sjt qpoebop"brnf"dbsbuf sjt ydi f "joejdbuf "of me/rnt/"4"baqsrn"3117-"o/"263"f "t/n /j/")Opsn f "jo"n buf sjb"bn cjf oubrnf\*/

3 Dbsbuf sjt ydi f "bn n jttjcjrj"qf s"rnf"bdr vf "ej"tdbsjdp/

Mf "dbsbuf sjt ydi f "bn n jttjcjrj"qf s"rnf"bdr vf "ej"tdbsjdp"eb" dptof hobsf "brtsf dbqjup" gobrnf"ef wpop"f ttf sf dpogsn j"b"r vboup"qsf vjt up"of rnb"rnhbup"6"brnb"Qbsf "kkk"ef rte/rnt/"4"baqsrn"3117-"o/"263"f "t/n /j/")Opsn f jo"n buf sjb"bn cjf oubrnf\*/

4 Mn ju"ej" f n jttjpop "ef hrjt ddsjdi j"jesjdi/

Hrtjrn qjboj"ej"usbun f oup-"r vbrj"di f "tjpop" rnf" ddsbuf sjt ydi f "ef hrjt f ggvf ouj" eb" qspevssf -"ef wpop sjt qpoef sf "b"r vf tuj"sf r vjtju;  
. f ttf sf "jo"hsbej"ej"gpsojsf "rnf"qsf t ubejpoj"sjdi jf tuf "ebnrnf"rnhj"di f "ef wpop" f ttf sf "sjt qf ubuf <  
. f vjbsf "r vbrtjbt"ujqp"ej"opdjwjl"qf s"rnt"brmf "ef rnf"pn p" dpo"qbsjdprtsf "sjf sjn f oup"brnb"qspqbhb"ejpop ej"n jdspshbojtn j"qbuphf oj<  
. opo" dpoun jobsf "j" tjtuf n j" ej" bdr vb" qpubcjrj" f e" bodi f " f w owbrj" wbt di f " ej" bddvn vrp" bdr vb" b r vbm or vf "vtp" f ttf "tjpop"ef t jobuf <  
. opo" f ttf sf "bddf ttjcjrj"be"jotf uj-"spejpsj"p"be"brnsj"bojn brj"di f "qpttbop"wf ojsf "jo"dpoubup" dpo"j"dj"p dpo"bdr vb"qpubcjrj<  
. opo" f ttf sf "bddf ttjcjrj"brnf"qf stpof "opo"beef uf "brnb"hf tujpof "f e"jo"qbsjdprtsf "bj"cbn cjo<  
. opo"ejw ohsf "n brnpepsbouj"ef "ej"t hsbef wprnf"btqf up/

5 Dbsbuf sjt ydi f "ef j"dpn qpof ouj/

K'dpn qpof ouj" wuj"hrjtjn qjboj"ej"usbun f oup"ef wpop"f ttf sf "ubrjleb"sjt qpoef sf "bj"sf r vjtju"bj"r vbrj"hrjn jn qjboj"ef wpop"vojpsn bstj;  
Mf "dbsbuf sjt ydi f "f ttf oejbrj"t pop;  
. rnb"sf tjt uf oeb"n f ddbojdb<  
. rnb"sf tjt uf oeb"brnb"dpssptjpop <  
. rnb"qf sf ub"uf ovub"brnbdr vb"of rnf"qbsj"di f "wf ohpop"b"dpoubup" dpo"jrtuf ssp op<  
. rnb"gdjrn"qvrtjrb" <  
. rnb"hf wprnf"tpt ujjcjrj" <  
. vob"sbhjpop wprnf"evsbcjrj" </

6 Dpmpdb"ejpop "ef hrjtjn qjboj/

Hrtjrn qjboj"ef wpop"f ttf sf "dpmpdbuj"jo"qptjejpop "ubrnf"eb" dptof ojsf "rnb"gdjrn"hf tujpof "tjb"qf s"j"dpousprjn

qf sjepejd" eb" f tf hvjsf "tjb" qf s" r" ddf ttjcjrj" ef j" n f "e" ej" usbt qpsup" di f "ef wpop" qspwfw ef sf "bj" qf sjepejd  
tqvshi j/" B" ruf n qp" tuf ttp" r" dmpdb" ef w" dpotf oujsf " ej" sjt qpoef sf " bj" sf r vjtjy" f rhodbyj" bm  
qf df ef ouf "qvoup" sf r" vj" sf r vjtjy" ef rj" jn qjbouj" ej" usubn f oup/

7 Dpousprijlevsbouf "r" tf dv" epof /

E" dpn qjup" ef r" Ejsf " epof " ef j" Mwpsj" f gf uvbsf "jo" dpstp" e (pqf sb" f "be" jn qjbouj" vrnj" bup" j" dpousprij) luf t j" b  
wv sgdbsf ;

- r" sjt qpoef o" b" r vbojubjyb" f " r vbrjnbjyb" b" r" n" qsf t dsj" epoj" f " ef t dsj" epoj" ej" dbajuprbup <
- r" d" pssf ub" dmpdb" epof " ef r" jn qjbouj" of j" dpogspouj" ef r" n" t usvuwv " djvj" j" f " ef r" n" brusf " jot ub" n" epoj <
- r" n" d" bsuf sjt ydi f " dpt usvujw " f " g" o" epobij" ef r" n" q" bsuj" opo" qjò " jt qf " epobc" j" j" be" jn qjbouj" vrnj" bup <
- r" p" ttf svbo" b" ej" wuf " r" n" opsn f " ej" t" j" d" vsf " e" b/

Dpntavej/

Be" jn qjbouj" vrnj" bup" epws" j" f ttf sf " f tf hvjup" jrhdpntavep" qspwjt psjp" qf s" r" wv sgdbsf " g" o" epobij" ef j  
usubn f ouj" eb" twprnf sf /" B" dpntavep" qspwjt psjp" g" vpsf wpm f ouf " f tf hvjup" " r" jn qjbouj" qpus" j" f ttf sf  
n f ttp" jo" g" o" epof " f e" f tf dsj" ep" t pup" j" r" d" pousprij" ef r" n" ejub" g" soj usjdf " qf s" vo" qf sjepej" opo" jof sjsf " b" : 1  
hjpsoj" jo" d" poe" j" epoj" ej" d" bsjdp" opsn b" r/

Qf sjepej" qjò " mohi j" qpusboop" f ttf sf " gtt byj" t f " r" n" d" poe" j" epoj" ej" d" bsjdp" t bsboop" qbs" b" j" j  
Epqp" ubrnf" qf sjepej" tbs" j" twprn" jrhdpntavep" ef gojuyv" qf s" r" ddf subn f oup" of r" n" d" poe" j" epoj" ej" sf hprtsf  
g" o" epobn f oup" d" pn f " qpsub" b" f " u" q" ef r" jn vbn f " jn n f ttp" ef r" n" d" bsuf sjt ydi f " ef r" j" f " g" w" ouj" f " ef r" n  
rps" sjt qpoef o" b" bj" r" jn yj" gtt byj" jo" dpousbup" /" M " qspw " ej" dpntavep" epwsboop" f ttf sf " sjqf wuf " qf s" usf  
vprf " jo" hjpsoj" ejw sjt ef r" n" t f ujn bob/

B" dpntavep" g" vpsf wpm f ouf " f tf hvjup" f " dpowbrjebup" eb" sf hprtsf " df sjgdbsf " r" jn qjbouj" tbs" j" qsf tp" jo  
dpotf hob" ebrf" Dpn n juf ouf " di f " qspwfw ef s" j" b" n" hf tujpof " ejsf ubn f ouf " p" b" g" geboep" r" b" f " s" e/

Qf s" r" n" evs" b" b" ej" vo" boop" b" qbsj" f " eb" n" ebub" ef r" d" pntavep" g" vpsf wprf " qf s" n" bof " r" n" h" sb" o" e" j" b" ef r" n" ejub  
g" soj usjdf " di f " a" u" ovub" b" qspwfw ef sf " b" qspqsb" d" vsb" f " t" qf t f " b" s" jn vpwf sf " d" po" r" n" bttj" n b" u" f n qf tujw" j  
phoj" e" j" f up" opo" epw up" be" f s" p" s" f " ej" d" poe" v" epof " p" n" bovuf o" epof /

Mb" Ejsf " epof " ef j" Mwpsj" qf s" r" n" s" b" r" e" j" epof " ef r" jn qjbouj" ej" t" d" bsjdp" ef r" n" b" dr vf " vtbf " pqf sf s" j" d" pn f " tf hvf /  
b\* Of r" d" p" t" p" ef r" n" tf dv" epof " ef j" Mwpsj" " d" po" s" j" f " s" jn f oup" bj" luf n qj" f " e" b" r" n" qspdf evsf " wv sgdbsf f s" j" v" j" b" di f " j  
n buf sbrj" j" n qj" h" b" j" f " r" n" u" dojdi f " ej" f " tf dv" epof " t" j" b" o" p" f " gf u" j" vbn f ouf " r" v" f " r" n" qsf t dsjuf " f e" j" opusf " ) qf s" r" n  
qbsj" ef tujobu" f " b" opo" sf tbsf " jo" w" t" b" p" di f " qptt pop" jogvjsf " jo" n pep" jssf w" stjcjrj" tvrtg" o" epobn f oup  
gob" r" n" wv sgdbsf f s" j" di f " r" n" tf dv" epof " t" j" b" d" p" f ouf " d" po" r" v" f " r" n" d" p" o" d" p" s" e" b" u" ) r" v" f " t" b" w" sgdbsf " qpus" j" f ttf sf  
f gf uvbsf " bodi f " jo" g" sn b" d" b" t" v" b" r" n" f " t" b" u" j" t" j" d" b" of r" d" b" t" p" ej" h" s" b" o" e" j" pqf sf \* /" Ko" qbsjdp" r" bsf " wv sgdbsf f s" j" r" n  
hvj" o" epoj" d" po" r" h" j" l" b" q" q" b" s" f " d" di j" " j" r" o" v" n f s" p" f " r" n" ej" r" d" b" e" j" epof " ef j" t" v" q" p" s" j" " ef r" j" l" f " r" n" f ouj" ej" ej" r" u" b" e" j" epof " f  
ef r" j" l" f " r" n" f ouj" boj" v" j" c" sbouj/

Fgf wv sgdbsf f " p" d" s" j" f " gf uvbsf " f " t" p" u" p" t" dsjuf sf " jo" vob" ejdi jbsb" e" j" epof " j" s" j" t" v" r" u" j" ef r" n" qspw " ej" luf ovub" b" n" d" r" v" b  
f tf hvf oep" r" b" t" v" vo" uspod" qf s" v" r" n" b" ) t" j" s" j" n qj" f " e" ( b" d" r" v" b" f " r" n" t" j" t" pup" q" p" o" f " b" n" b" q" s" f " t" t" j" p" o" f " ej" 31" l" Q" b" q" f " s" 2  
psb" < b" r" n" s" n jof " opo" t" j" ef wpop" b" w" f " sf " qf sejuf " p" usbtvebn f ouj\* /

c\* B" r" n" s" n jof " ef j" r" wpsj" wv sgdbsf f s" j" di f " t" j" b" o" p" f " tf hvjuf " e" b" n" o" t" u" b" n" u" p" s" f " f " t" p" u" p" t" dsjuf " jo" vob" ejdi jbsb" e" j" epof " ej  
d" p" o" g" s" n j" w" r" n" qspw " tf hvf ouj;

- f vbdvbej" epof " sf b" r" e" b" b" g" d" f oep" t d" bsj" d" b" s" f " of r" n" tuf ttp" u" f n qp" " d" p" r" o" o" b" " qf s" d" p" r" o" o" b" " r" j" l" b" q" q" b" s" f " d" di j  
qf vj" t" j" e" b" r" h" d" b" r" o" p" ef r" n" qpsub" b" n bttj" n b" dpouf n qpsbof b/ " R" v" f" t" u" b" qspw" b" qv" i " f ttf sf " d" p" r" n" h" b" b" " b  
r v" f " r" n" ef r" n" f s" p" h" e" j" epof " ej" b" d" r" v" b" g" f eeb" " f " t" f" s" w" " be" b" d" d" f" s" b" s" f " di f " r" n" d" r" v" b" w" o" h" b" f vbdvub" d" po  
sf hprtsj" w" t" f o" e" b" s" j" h" v" s" h" j" " s" j" c" p" r" j" n f ouj" f " v" b" s" j" e" j" p" o" j" ej" s" f" h" jn f /" Ko" qbsjdp" r" bsf " t" j" ef wv " d" p" o" t" u" b" s" f " di f " e" b" j  
w" b" t" j" q" p" t" t" p" o" p" f " t" f" s" f " s" jn p" t" t" j" p" h" h" f" u" j" r" v" b" r" j" d" b" s" u" b" r" n" h" h" f" s" b" b" q" q" b" r" n" u" p" r" i" u" b" f " n" p" e" e" j" d" p" o" j" ej" t" j" h" s" f" u" b" <

• uf ovub" b" h" j" l" p" e" p" s" j" " eb" f " gf uvbsf " epqp" j" r" n" p" o" u" b" h" h" j" p" ef r" j" l" b" q" q" b" s" f " d" di j" t" b" o" j" u" b" s" j" " epqp" b" w" s" j" f" n qjup" w" u" j" j  
t" j" p" o" j" ) t" j" f" t" f" hvf " v" u" j" e" b" o" e" p" d" b" o" e" f" r" u" j" g" n" p" h" f" o" j" f " n" bouf of oep" vob" qsf t" t" j" p" o" f " ej" 361" Q" b" of r" h" s" b" u" p" jo  
qspw" b" /" Of t" v" o" p" e" p" s" f " ej" g" n" p" ef wv " f" o" u" s" b" s" f " of r" n" o" u" f" s" o" p" ef r" j" l" b" n" c" j" f" ouj" jo" dvj" t" p" o" p" n" p" o" u" b" j" r" n  
b" q" q" b" s" f " d" di j\* /

B" r" n" s" n jof " r" n" Ejsf " epof " ef j" Mwpsj" s" b" d" d" p" h" r" j" f" s" j" j" o" p" r" u" s" f " jo" vo" g" o" t" d" j" d" p" r" j" j" e" p" d" v" n f ouj" qspw" h" f" w" b" r" j" l" qjò  
t" j" h" o" j" g" d" b" u" j" v" j" b" j" g" o" j" ef r" n" t" v" d" d" f" t" t" j" v" b" h" f" t" u" j" p" o" f " f " n" b" o" v" u" f" o" e" j" p" o" f " ) t" d" i" f" n" j' ef r" n" qjbouj" " ef ub" r" j" l" d" p" t" u" s" v" u" j" v" j"  
t" d" i" f" ef " ef j" d" pn q" p" o" f" o" u" j" " f" d" d" /" o" p" o" d" i" è " r" n" j" t" u" s" v" e" j" p" o" j" qf s" r" n" n" b" o" v" u" f" o" e" j" p" o" f " s" j" r" t" d" j" b" u" f " e" b" j" q" s" p" e" v" u" p" s" j" ef j  
t" j" o" h" p" r" j" l" d" pn q" p" o" f" o" u" j" f " e" b" n" o" t" u" b" n" u" p" s" f " ) n" p" e" b" r" j" u" j" p" q" f" s" b" u" j" w" f " f " g" s" r" v" f" o" e" b" ef r" n" p" q" f" s" b" e" j" p" o" j" /

Uvuj" j" qspewuj" f" Q" p" n" buf sbrj" l" e" j" dvj" b" r" h" q" s" f" t" f" ouf " b" s" j" d" p" r" " r" v" b" r" p" s" b" q" p" t" t" b" o" p" f" t" f" sf " epubj" ej" n" b" s" d" u" w" s" b" D" F  
t" f" d" p" o" e" p" r" n" o" p" s" n" b" u" j" v" b" u" f" d" o" j" d" b" v" j" h" f" o" u" f" " e" p" w" s" b" o" o" p" f" t" f" sf " n" v" o" j" u" j" e" j" u" b" r" n" n" b" s" d" i" j" p/

Art. 5.5  
SERVIZI IGIENICI PER DISABILI

### 5.5.1 Generalità e normativa

Brigof "ej" dptof ouf "vo" n jhrjps "vujj" ef j"tf swj" jhjf ojdi" eb" qbsf "ej" uuj" f "jo" qbsj dptof "n pep" bj" ejtbcjrh  
ra" rfhjt r" e" j"pof "jub" bob" i b" tbcjrp" vo" ef ubh" j"p" f r" nodp" ej" qsf tdsj" e" j"pof "brn" r vbrj" s" j" qf s" uuf "r" ovpw  
dpt usv" e" j"pof "jof" sf t" t" b" f "eb" r" r" h" h" f "opodi è" qf s" r" v" f "r" n" t" p" u" p" q" p" t" u" f "b" s" j" t" u" s" v" u" s" b" e" j" p" o" f /

Q s" j" t" f swj" jhjf ojdi" ef tujoby" bhj" lbn c" jf ouj" qvcc" r" j" d" j" w" b" r" h" p" o" p" r" n" opsn f "dpouf ovuf "EN" o/"34702: 9: -" qf s" dvj  
ef wf "f" t" t" f" s" f "qsf wjt" u" b" r" d" d" f" t" t" c" j" r" j" u" l" b" e" b" m" f" o" p" v" o" x / d / f" e" v" o" r" a" w" b" c" p" q" f" s" p" h" o" j" o" v" d" r" n" p" e" j" t" f" s" w" j" e" j" t" u" b" n" o" u" p" /

Brj" j" o" f" s" o" p" ef h" j" l" f" e" j" g" d" j" ef tujoby" brn" i" e" j" r" e" j" b" s" f" t" j" e" f" o" e" j" b" r" n" q" s" j" w" b" u" b" f" " q" v" c" c" r" j" a" b" -" o" f" j" t" f" s" w" j" e" j" t" u" b" n" o" u" p" /  
f" t" t" f" s" f" "h" s" b" o" u" j" f" "r" n" n" b" o" p" w" s" f" "e" j" v" o" b" t" f" e" j" b" b" s" v" p" u" f" "o" f" d" f" t" t" b" s" j" f" "q" f" s" r" v" u" j" e" b" e" j" p" o" f" e" f" h" j" l" b" q" q" b" s" f" d" d" i" j" t" b" o" j" u" b" s" j" -" f" e" j" o" q" b" s" j" d" p" r" o" s" f" ;

- r" n" t" q" b" e" j" p" o" f" d" f" t" t" b" s" j" p" q" f" s" r" v" u" j" e" b" n" f" o" u" p" r" a" u" f" s" b" r" n" e" f" r" a" t" f" e" j" b" b" s" v" p" u" f" "b" r" n" o" u" b" e" e" b" f" -" p" w" f" "q" s" f" t" f" o" u" j" -" b" m" c" j" e" f" u" -" b" r" n" o" u" e" p" d" d" j" b" -" b" r" n" o" u" w" b" t" d" b" e" b" c" b" h" o" p" -" b" r" n" o" u" w" b" u" p" j" p" -" b" r" n" o" u" r" a" w" b" u" s" j" d" f" <
- r" n" t" q" b" e" j" p" o" f" d" f" t" t" b" s" j" p" q" f" s" r" v" u" j" e" b" n" f" o" u" p" g" s" p" o" u" b" r" n" e" f" r" a" t" f" e" j" b" b" s" v" p" u" f" "b" r" n" o" u" w" b" c" p" -" d" i" f" e" f" w" f" "f" t" t" f" s" f" e" f" m" u" j" q" p" b" n" f" o" t" p" r" o" /

M" q" s" j" o" d" j" q" b" r" j" o" p" s" n" f" "f" r" j" o" f" f" "h" v" j" e" b" q" f" s" r" a" t" q" s" p" h" f" u" b" e" j" p" o" f" "f" r" n" i" t" f" d" v" e" j" p" o" f" e" f" j" t" f" s" w" j" e" j" t" u" b" n" o" u" p" / b" j" e" j" t" b" c" j" r" h" t" p" o" p" d" p" o" u" f" o" v" u" f" "o" f" j" t" f" h" v" f" o" u" j" e" j" t" q" p" t" j" u" w" j" r" f" h" j" t" r" a" u" j" w" j" ;

- E" f" d" s" f" u" p" e" f" r" n" i" q" s" f" t" j" e" f" o" u" f" e" f" r" a" t" S" f" q" v" c" c" r" j" a" b" "35" m" h" r" j" p" "2: : 7-"/o/"614" %S" f" h" p" r" a" n" f" o" u" p" s" f" d" b" o" u" f" "o" p" s" n" f" "q" f" s" r" n" i" r" j" m" j" o" b" e" j" p" o" f" e" f" r" n" i" c" b" s" s" j" f" s" f" "b" s" d" i" j" u" f" u" p" o" j" d" i" f" "o" f" h" r" j" l" f" e" j" g" d" j" -" t" q" b" e" j" f" "t" f" s" w" j" e" j" q" v" c" c" r" j" a" j" • <
- E" f" d" s" f" u" p" "N" j" o" j" t" u" f" s" j" b" r" n" i" . "N" j" o" j" t" u" f" s" p" e" f" j" "M" w" p" s" j" "Q" v" c" c" r" j" a" j" "25" h" j" v" h" o" p" "2: 9: -" o / "347 / " %Q" s" f" t" d" s" j" e" j" p" o" j" u" f" d" o" j" d" i" f" o" f" d" f" t" t" b" s" j" f" "b" h" s" b" o" u" j" s" f" " r" a" d" d" f" t" t" c" j" r" j" u" l" -" r" a" e" b" u" b" c" j" r" j" u" l" f" " r" a" t" w" j" t" j" u" b" c" j" r" j" u" l" e" f" h" r" j" l" f" e" j" g" d" j" q" s" j" w" b" u" j" f" " e" j" f" e" j" r" e" j" b" s" f" t" j" e" f" o" e" j" b" r" n" i" q" v" c" c" r" j" a" b" t" p" w" f" o" e" j" p" o" b" u" b" f" " b" h" f" w" p" r" a" u" b" -" b" j" " g" o" j" e" f" r" i" t" v" q" f" s" b" n" f" o" u" p" f" " e" f" r" n" i" r" j" m" j" o" b" e" j" p" o" f" e" f" r" n" i" c" b" s" s" j" f" s" f" "b" s" d" i" j" u" f" u" p" o" j" d" i" f" • <
- M" f" h" h" f" " : " h" f" o" o" b" j" p" "2: 9: -" o / "24" %S" j" t" q" p" t" j" e" j" p" o" j" q" f" s" g" w" p" s" j" s" f" "j" r" i" t" v" q" f" s" b" n" f" o" u" p" f" " r" n" i" r" j" m" j" o" b" e" j" p" o" f" e" f" r" n" i" c" b" s" s" j" f" s" f" b" s" d" i" j" u" f" u" p" o" j" d" i" f" " o" f" h" r" j" l" f" e" j" g" d" j" q" s" j" w" b" u" j" • -
- [Opsn b" VOKQeS"35](#) "B" c" c" b" u" j" n" f" o" u" p" c" b" s" s" j" f" s" f" "b" s" d" i" j" u" f" u" p" o" j" d" i" f" . "M" j" o" f" f" "h" v" j" e" b" q" f" s" r" a" t" s" j" q" s" p" h" f" u" b" e" j" p" o" f" e" f" m" d" p" t" u" s" v" j" u" p" "j" o" p" u" j" d" b" v" o" j" w" f" s" t" b" r" e" f" t" j" h" o" • -
- [Opsn b" VOK: 293](#) "K" n" q" j" b" o" u" j" e" j" b" r" i" m" f" o" u" b" e" j" p" o" f" "f" e" j" t" u" s" j" c" v" e" j" p" o" f" "e" (b" d" r" v" b" g" s" f" e" e" b" f" " d" b" r" e" b" . "Q" s" p" h" f" u" b" e" j" p" o" f" - j" o" t" u" b" n" o" u" e" j" p" o" f" f" " d" p" r" i" t" a" v" e" p" • /

## 5.5.2 Ambiente bagno

Uf of oep"dpoup"ef m"qsf tdsj"poj"sjqpsubf "jo"opns bujwb-"of m"tf dv"j"pof "ef j"l"wpj"sf r"ujw"b"n"sf b"j"e"j"pof ej"tf sw"j"jhj"of dj"qf s"ejtbcjrn"tj"epwsboop"sjtqf ubsf "br"voj"dsjuf sj"hvjeb"fe"jo"qbsudprtsf "bttjdvbsf "j"tf hvf ouj tqb"j"n jojn j"gv"ejpobrj"qf s;

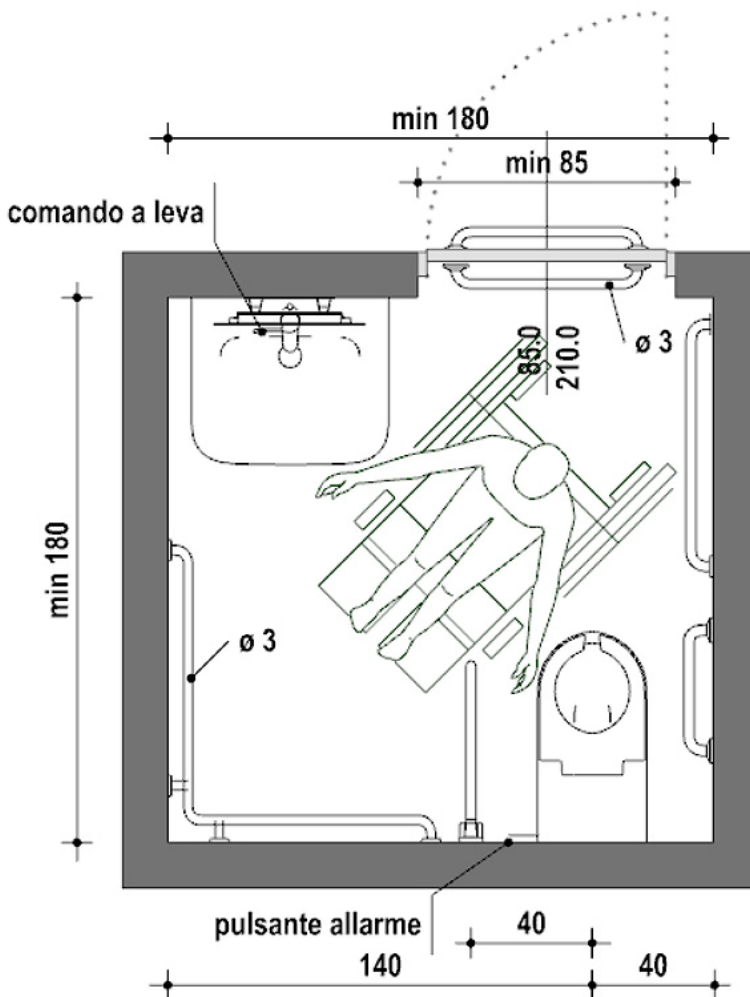
- bqsjsf "f"di jvef sf "dnpn pebn f ouf "r"qpsub<
- bddpt ubstj"br"dx d"r"usbtg sjsj"of r"n pep"qjò"dpot pop"b"m"qspqsf "dbqbdj"l")r"uf sbrf-"gspoubrf-"pcrjn vp f dd/\*<
- usbtg sjsj"ebrtx d"br"tjef u"of r"n pep"qjò"ejsf up<
- usbtg sjsj"tv"r"t"fhjprjop"ef m"epddjb"fe"j"n bopwsbsf "dnpn pebn f ouf "r"svcjof uf sjb<
- fousbsf "bvupopn bn f ouf "of m"vf ouwbrf"vbt db<
- bddpt ubstj"br"n"jof tusb-"r"eepwf "r"vf t ub"tjb"qsf vjt ub-"f"n bopwsbsb<
- ftf hvjsf "r"n"qv"r"ef "ef j"r"pdrj<
- vuj"e"sf -"r"l"wb"usjdf "r"eepwf "r"vf t ub"tjb"qsf vjt ub<

Koprasf "cjt phof sl"hsboujsf "n bttjn b"tjdv sf "e"sjtqf up"br"n"ejt ubo"e"usb"qsf t b"fr"usjdb")r"uf sbrf"br"l"wbcp\* f "vbt db"p"epddjb-"vob"cvpob"gv"ejpobrj"j"n qjbojt ydb/

M"qpsub"ej"bddf ttp-"ej"m"df "n jojn b"ej"96"dn -"epws"j"ttf sf "bqsjcjr"n"vf stp"r"n"tuf sop-"bodi f"tf"di jvtb"b di jbwf -"p"ef r"ujqp"b"tdpssf sf /"Of r"tdbt p"ej"qpsub"b"cbuf ouf "tbs"j"gttbp"vo"dpssjn bop"of m"gd"ddjb"jof sob ef m"qpsub"be"vob"br"e"ej"91"dn -"jo"n pep"eb"dpotf oujsf "r"n"qf svsb"b"tqjoub"ef m"qpsub"vf stp"r"n"tuf sop/

Epwsboop"fttf sf "jot ub"m"uf "tf hobr"e"poj"pujdi f "f"bdvt ydi f "eb"n bopwsbsf "jo"dbtp"ej"n brpsf "f"j"qbwjn f ouj epwsboop"fttf sf "ef r"ujqp"boujtesvdjpr"vprf/

Vob"tf sjf "ej"bqqbsf ddi jbwf "tqf djgdi f "ej"tvqqpsup-"dnpn f "n bojhjpoj"tqf djbrj"tf ejj"l"bvtj"l"wsj-"epwsboop f ttf sf "jot ub"m"uf "qf s"bhf vprtsf "hjt qpt ubn f ouj br"jof sop"ef m"n cjf ouf "cbhop"fe"j"usbtg sjn f ouj eb"r"n"tf ejb"b spuf m"bj"t bojbsj-"ef m"qf st pob"dp"ejtbcjrl/



### 5.5.3 Lavabo

Klavabo- "qf s' qpu f s' f ttf sf " dpu pebu f ouf " vujf ebu - epwsu " s' t q p o e f s f " b " r v f t u f " d b s u f s' t j u d i f ;

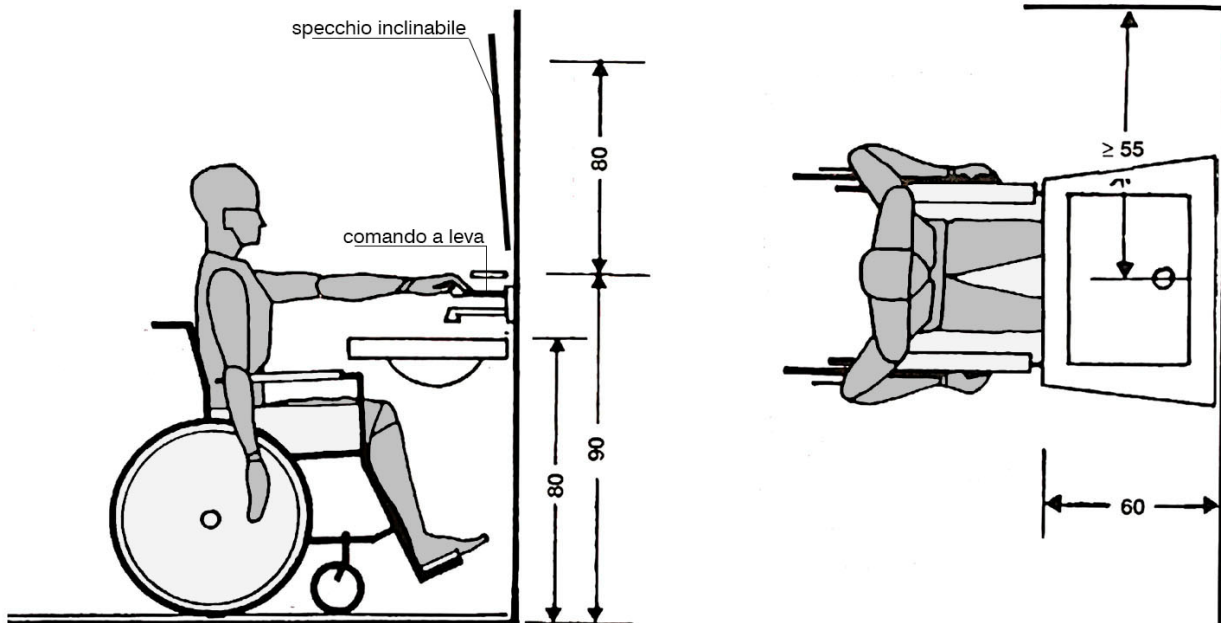
- f t t f s f " e f r h j q p " b " n f o t p r i a - " d p o " v o b " q s p g o e j u " n j o j n b " q b s j " b " 7 1 " d n " j o " n p e p " e b " q p u f s " b d d p h r j i s f " r a q b s u f " b o u f s j p s f " e f n i a " t f e j b " b " s p u f n i n <
- f t t f s f " b c c b t u b o e b " h s b o e f " q f s " s j e v s s f " r p " t q b s h j n f o u p " e j " b d r v b " t v r h q b w j n f o u p " f " r a " d p o t f h v f o u f t d j w p r t j u <
- r a " e j t u b o e b " n j o j n b " e b r h d f o u s p " e f r h r a w b c p " b n i a " q b s f u f " e p w s u " f t t f s f " e j " 6 6 " d n " f " b w f s f " v o " b s f b " e j b d d f t t p " n j o j n b " e j " : 2 " d n " j o " r a s h i f e e b " f " 2 1 8 " d n " j o " r a h i f e e b <
- j " s v c j o f u j " t b s b o o p " e j " q s f t b " t j d v s b " f " g d j i r i " n p v j n f o u p - " d p n f " r v f r j i b " r r w b " d p o " n p v j n f o u p p s j e e p o u b r i n <
- b w f s f " j r h q p s u b t b q p o f " j o h r p c b u p " o f r h r a w b c p <

f " n f t t p " j o " p q f s b " t f h v f o e p " r i " t f h v f o u j " j o e j d b e j p o j ;

- j r h r a w b c p " e p w s u " f t t f s f " q p t u p " o f n i a " q b s f u f " p q q t u b " b " r v f n i a " e f r h x d " f " d p o " j r h a j b o p " t v q f s j p s f " b " 9 1 " d n e b r h q b w j n f o u p - " q f s " d p o t f o u s f " j r h d p n p e p " j o t f s j n f o u p " e f n i a " t f e j b " b " s p u f n i n " o f n i a " q b s u f " t p u p t u b o u f <
- r i n " u c b e j p o j " e j " b e e v e j p o f " f " e j " t d b s j d p - " e p w s b o o p " f t t f s f " j o t u b n i a " t p u p " u s b d d j b " q f s " f v j u b s f " p h o j q p t t j c j i r i " j o h p n c s p " t p u p " j r h r a w b c p <
- r i b d r v b " e p w s u " f t t f s f " f s p h b u b " h j u " n j t d f r a u b " q f s " f v j u b s f " t d p u b u s f - " d p o " r a " c p d d b " e j " f s p h b e j p o f " e f m s v c j o f u p " b c c b t u b o e b " b n i a " b g j o d i e " r i n " n b o j " t u j b o p " t p u p " d p n p e b n f o u f /

Mp " t q f d d i j p " e p w s u " f t t f s f " g t t b u p " b n i a " q b s f u f " t p q s b " j r h r a w b c p " b e " v o " b r a f e e b " d p n q s f t b " u s b " : 1 " f " 2 8 1 " d n " e b m q b w j n f o u p - " f " j o d r j o b u p " s j t q f u p " b n i a " t u f t t b " q b s f u f /

O f j " r a d b r j i b q f s j " b r h q v c c r j a p " q p u s u " f t t f s f " q s f v j t u p " r i b t d j v h b u s f " e f n i n " n b o j " b e j p o b c j i r i " d p o " q v r i t b o u f " p " d p o g u p d f n i a /



## 5.5.4 Vaso e bidet

### Vaso

Kooboepwup"jrhwt p"epwsl"fttf sf "qptjēpobup"of nlo"qbsf uf "pqqptub"brnddf ttp-"qf s"hsbouysf "vop"tqbējp bef hvbup"brndwjdjobn f oup"f "ra"spubējprof "ej"vob"tf ejb"b"spuf nri-"f "vob"ejtboēb"qf s"dpotf ouysf "vo"bhf wprfi qsf tb/

Krhwt p"b"tf ef sf "jo"df sbn jdb"epwsl"fttf sf "ef rhjqp"be"jotubnējprof "tptqf tb")bodpsbup"brnd"qbsf uf "wf sujdrfi" f "n f ttp"jo"pqf sb"tf dpoep"rifi"tf hvf ouj"joejdbējpoj;

- tbsl"qptup"b"vob"ejtboēb"n jojn b"ej"51"dn "eb"vob"qbsf uf "b"251"dn "ebrndrb"-"f "rdrf ēēb"ef rhjbp tvqf sjpsf "ef nlo"ubēēb"epwsl"fttf sf "ej"61"dn "ebrhbwjn f oup<
- be"vo"rhup"ef nlo"ubēēb"epwsl"fttf sf "jotubnup"vo"dpssjn bop"wf sujdrfi"jo"wcp"ej"bddbjp"ej"4"dn sjwf tujp"wf sojdbup"dpn"n buf sbrfi"qrat udp"bojvt vsb-"cf o"bodpsbup"b"qbwjn f oup"b"t pggup-"b"vob ejtboēb"ebrnd"t" x d"ej"51"dn "f"b"26"dn "ebrnd"qbsf uf "qptuf sjpsf <
- vo"tf dpoep"dpssjn bop"wf sujdrfi"tbsl"qptjēpobup"ebrndrb"rhup"ef nlo"ubēēb"b"vob"ejtboēb"ej"41"dn ebrncpsep"bouf sjpsf "ef nlo"ubēēb" x d" f "ej"26"dn "ebrnd"qbsf uf "rauf sbrfi<
- vo"dpssjn bop"psjēpoubrfi"dpoujovp"epwsl"fttf sf "gttbup"mo hp"rhjof sp"qf sjn f usp"ef rhpdbrfi-"b"tf swjējp ej"uwuj"rhjbrnsj"tbojbsj-"be"vo"brf ēēb"ej"91"dn "ebrhbwjn f oup"b"vob"ejtboēb"b"6"dn "ebrnd"qbsf uf /

Ko"dbtp"ej"ftjhfoē"qbsjdprnsj-"dpn f "pqqpswobn f ouf "joejdbup"ebj"hsbgdj"qsphf uwbrj p"ebrnd"EM"tj qpusboop"jotubnrbf ;

- vo"wcp"jo"bddbjp"qptup"b"2: 6"dn "ebrhbwjn f oup"dpn"ef j"n bojhrjpoj"tdpsf wprj"psjēpoubrm f ouf "f wf sujdrfi f ouf -"qf s"ra"tqptubn f oup"ebrnd"tf ejb"b"spuf nri"brh d" f "brtjef u"tf "qptjēpobup"b"gbodp"brnd ubēēb<
- tvj"rhuj"ef tusp"ft"tojtusp"ef rhwt p"ef j"n bojhrjpoj"b"91"dn "ebrhbwjn f oup"ft"di f "svpuoep"ej": 1± qpttpop"fttf sf "bepttbj"brnd"qbsf uf "qptuf sjpsf -"qf s"gdjrbf "jrhstg sjn f oup"ebrnd"tf ejb"b"spuf nri"bm wbt p"tjb"gpoubrfi"tjb"rauf sbrfi/

Mb"dpndējprof "ef rhdbtpof "ef ndr vb-"of rhjqp"b"ējop-"gohf sl"bodi f "eb"tqbmrj sb/"Mējpbobn f oup"qpusl fttf sf "f gf uwbup"dpn"vo"bn qjp"qvrtbouf "pqqvsf "dpn"rhjbrnsj"jog sjpsj"qf s"n f ēēp"ej"dpn boej"b"qsf ttjprof "tjwbrj brnd"cbtf "ef nlo"ubēēb/

### Bidet

Mb"qptjējprof "ef rhcjef u' epwsl"fttf sf "twjodprub"sjtqf up"brni"qbsf uj"ef rhpdbrfi"jhjf ojdp-"dpn"jrhcpsep qptuf sjpsf "tubddup"ebrnd"qbsf uf "ej"bm f op"51"dn "qf s"vo"dpn pep"jotf sjn f oup"ef nlo"tf ejb"b"spuf nri"of m usbtg sjn f oup"rauf sbrfi/"Mb"tvb"brf ēēb"tbsl"ej"61"dn "ebrhbwjn f oup"ef rhjqp"ef rhjbp f oup/

Mb"ejtboēb"usb"jrhvp"bttf "f"ra"tvqf sgdjf "ef rhn vsp"rauf sbrfi"epwsl"fttf sf "qbsj"be"bm f op"51"dn -"qf s"vop tqbējp"bef hvbup"b"tf ef stj"l"upsobsf "jo"qptjējprof "wf sujdrfi/

Vo"rhup"ef rhcjef u'epwsl"fttf sf "dpn qirubn f ouf "rjc sp"bm f op"gop"b": 1"dn "ebrnd"n f ēēp sjb"ef rhb bojbsj-"qf s qf sn f uf sf "rifi"n bopwsf "ef nlo"tf ejb"b"spuf nri/

Vob"cbssb"ej"tvqqsup"psjēpoubrfi"epwsl"fttf sf "gttbup"tvnd"qbsf uf "rauf sbrfi"brtjef u' b"vo"brf ēēb"ej"91"dn ebrhbwjn f oup-"n f ouf "cbssf "wf sujdrfi"epwsoop"fttf sf "dpndbf "ej"gpouf "brnd"qbsf ddi jp/

Of rhdbtp"sjqpsubup"of rhqsphf up"ftf dvjwp"tj"qpusl"jotubnrbf "vo"bqbsf ddi jp"tbojbsj"di f "jodmef "jrh d" f "jm cjef u'jo"vo"vojdp"crddp/

### 5.5.5 Doccia

Qf s'dpotf oujsf "hddfttp"ej"vob"tf ejb"b"spuf rri-"ra"epddjb"epwsU"fttf sf "b"qbwjn f oup"dpn"n jtvsf "qbsj"b"231"y 231"dn "f"jrtubop"n join bn f ouf "jodjopub"qf s"jrtf gmttp"ef rtdr vb"wf stp"r"tdbsjdp/

Mp"tqbEjp"epddjb"jef brri"dpn"tf ejri"qf s"jrtf shtgf sjn f oup"tbsU"ej"216"dn "ej"rshi f Eeb-": 1"dn "ej"qspgoejw"ef rtdr Eeb"ef rtdr"tf evub"qbsj"b"51"dn -"dpn"vob"qspgoejw"ej"46"dn "f"qptjEjpobup"ebri"qbsuf "ef"rtdwvjjobn f oup/ K'tf ejrtbsboop"n vojy"ej"dbsejof "qf s'fttf sf "sjcbrdy"qf s"rtvtp"eb"qbsuf "ef"j"ejtbcjrt/

Ebwouj"brri"tqbEjp"epddjb"vj"tbsU"vo"bsf b"n join b"ej"241y231"dn "qf s"rtdwvjjobn f oup"ef rtdr"tf ejb"b"spuf rri/ Mp"tqbEjp"epddjb"epwsU"fttf sf "epubup"ej"cbssf "ej"tvqqpsup"qf s"cjrbodjbsf "jrtf tp"ef rtdpsqp"fttptuf of sf "j ejtbcjrt"of hjrtqptubn f ouj;

- vob"cbssb"ej"tvqqpsup"wf sjdbrri"epwsU"fttf sf "dprndub"of mp"tqbEjp"di f "qsf df ef "ra"epddjb-"dpn"vob ejtuboEeb"usb"jrtf ejri"f "ra"cbssb"ej"41"dn <
- vo"brub"cbssb"wf sjdbrri"epwsU"fttf sf "dprndub"of mp"tqbEjp"bouj ubouf "jrtf ejri"b"vob"ejtuboEeb"ej"66 dn "qf s"bjvbsf "jrtf ejtbcjrt"of rtdr rriwbstj"epqp"fttf stj"rtwbup<
- cbssf "ej"tvqqpsup"psjEepowbrjrtbsboop"dprndub"tvrti vsp"qptuf sjpsf "brtfejri/

Mf sphbpsf "ef rtdr vb-"dprndub"tv"vob"cbssb"gttbub"b"qbsuf -"epwsU"fttf sf "be"brf Eeb"sf hprbcjrt/"Km uf sn ptubup"boesU"qptup"tvrti"tfttb"qbsuf "ef rri sphbpsf "b": 1"dn "ej"brf Eeb/



### 5.5.6 Vasca da bagno

Kf'usbtg sijn foup"ef r'ejtbcjrfi"of r'wbtdb"eb"cbhop"qv" "bwf ojsf "gpoubm f ouf -"rbf sbm f ouf -"pcrjn vbn f ouf p"usbn juf "bvtjg"uf dojdj/

Of r'usbtg sijn foup"ejf up"gpoubm-"r"tqbep"rjcf sp"of df ttbsjp"qf s"r'epof "ef wf "f ttf sf "ej"251"dn "n fousf qf s"hrj'brsj"usf "dbtj"cbtubop"241"dn /

Mb"wbtdb"qpus"fttf sf "epub"ej"vo"n f ddbojtn p"di f "qf sn f ub"ej"tprfwbsf "r'ejtbcjrfi" f "dmpdbsr"br'jof sop ef r'wbtdb"qf s"n f "ep"ej"vo"tf hhjprjop/

Mbrf "n bttjn b"ebr'cpsep"tvqf sjpsf "ef r'wbtdb"epws"fttf sf "ej"61"dn "ebr'qbwjn foup/

Qf s"jn qf ejf "r"tdjwprbn foup"r'wbtdb"eb"cbhop"opo"epws"fttf sf "qjò"mohb"ej"271"0'281"dn "f "dpo"vob qspgoejw"n bttjn b"ej"51"dn /

Tf "qsf vjt up"ebr'qshf up"tj"epws"jotubn"sf "vob"qjbubgpn b"jo"uf tubub-"qf s"r'usbtg sijn foup"ef ouf"r'wbtdb-r'ashb"51"dn "f "qspgoeb"r vboup"r'wbtdb"tuf ttb/"Vob"wpnb"tf evup"tv"r vftub"qjbubgpn b-"r'ejtbcjrfi"tj"qv" usbtg sjf "tv'poe"ef r'wbtdb"pqqvsf "tv"ej"vo"tf hhjprjop"gttbup"b"n f w"brf "eb"ebr'poe/

Of r'wbtdb" qbsf " bouf sjpsf " ef r'wbtdb" )rbup" mohp\*" epws"fttf sf " qsf vjtub" vob" sjf ousboeb" brp" tdpqp" ej qf sn f uf sf "vo"cvpo"bwjcdjobn foup"ef r'wbtdb"tfejb"b"spuf r'f "gdjrbsof "r' spubepof /"Mb"sjf ousboeb"r'wbtdb"tj"puf ssj bqpphjobep"r'wbtdb"tv"n vsf uj"qptj"tvj"ruy"dpj"fe"fwjboep"r'ubn qpobn foup"ef r'rbup"mohp/

Qf s" fousbsf "f"vtjfs "ebr'wbtdb"tj"epws"jotubn"sf "vob"cbssb"wf s'jdrfi"bdf ttjcrfi"tjb"ebr'jof sop"di f ebr'ituf sop"ebr'wbtdb/"Vob"cbssb"psjgpoubm"p"jodjrbub-"gttbub"br'n vsp"tv'r'rbup"mohp"ef r'wbtdb-"tf swjsj qf s"tprfwbsf "f "bccbttbsf "r'pqsq"tf evuj"of r'wbtdb/

### 5.5.7 Rubinetteria

Tf dpoep"r vboup"qsf vjt up"ebm"joejdb"epoj"qsfhf uwbrjt"j"qpus"jot ubmsf "svcjof uf sjb;

- ef r"ujqp"b"gpudf m"rb<
- dpo"dpn boep"b"epobup"b"r"wb<
- b"epobub"b"qf ebob"p"b"qbwjn f oup/

Mb"cpddb"ef r"svcjof up"epms"j"v"bsf "bccbt uboeb"b"b"tv"r"qjbop"ef r"r"wbcp"qf s"qpu f s"n f uf sf "tpup"r"n n boj"dp"gdj"j"l"t"j"dv"sf"eb/

### Art. 5.6

### IMPIANTO DI SCARICO ACQUE METEORICHE

Ko"dpogpsn j"l"b"msj"7-"dpn n b"2-"ef r"E/N/"3301203119-"o/"48-"hrjtjn qjbouj"jesdj"e"j"r"psp"dpn qpop ouj"ef wpop sjtqpoef sf "b"n"sf hprn"ef r"msf /"Tj"dpotjef sbop"b"sf hprn"e"bsf "hrjtjn qjbouj"sf b"r"ep"jo"dpogpsn j"l"b"n"vjhf ouf opsn bujb"b"b"n"opsn f "ef r"VOK"ef r"DFK"p"ej"br"j"foj"ej"opsn b"r"ep"j"pof "bqqsuf of ouj"b"hrjt"tubj"n f n csj ef r"v"ojpof "f vspqf b"p"di f "t"pop"qbsj"dpousf ouj"ef r"p"dpsep"tv"r"p"t"q"b"ep"j"pof"dpopn jdp"p"v"spqf p/

- 2 Tj" jof oef " qf s" jn qjbou" ej" tdsjdp" bdr vf " n f uf psjd f " r"otj f n f " ef hrjt f rfn f ouj" ej" sbddpnb-dpovphrjbn f oup-"f wf oubrfn"t"pddbhj"p"t"p"r"n"wb"n f oup"p"sf dbqjup")b"dp"r"n"upsj"gpobsj-"dpstj"e(bdr vb-tjt uf n j" ej" ejt qf stj pof " of r"hf"ss"op"\*/" M(bdr vb" qv" f ttf sf " sbddpnb" eb" dpqf suvsf " p" qbwjn f ou"epoj b"n"qf sup/ K"htjt uf n b" ej" tdsjdp" ef r"n" bdr vf " n f uf psjd f " ef wf " f ttf sf " joejqf oef ouf " eb" r vf r"n" di f " sbddphrj" f t n brjt df " r"n" bdr vf " vtbf " f e" joevt usjbrj" f ttp" ef wf " f ttf sf " qsf vjt up" jo" wuj" hrjt f ejgdj" be" f t drmtj pof " ej r vf r"j"t"upsjdp. bsjt ujdj/ K"htjt uf n b" ej" sf dbqjup" ef wf " f ttf sf " dpogpsn f " b"n" qsf t dsj"epoj" ef r"n" qvccrj"b"bvupsj"l"jo"qbsjdp"r"bsf "qf s r vboup"buif of "r"n"qpttj"cj"j"l"ej"jor vjobn f oup/ Hrjtjn qjbouj"ej"dvj"t"pqsb"t"j"jof ouepop"p"o"epobm f ouf "tveejwtj"dpn f "tf hvf ; . dpow stf "ej"dpovphrjbn f oup" f "dbobrj"ej"hspeob< . qvouj"ej"sbddpnb"qf s"r"n"t"dsjdp")cpddi f upoj"q"ep"uj-"dbejupj"-"f dd/\*< . wcb"epoj"ej" dpovphrjbn f oup" usb"j" qvouj"ej" sbddpnb" f e"j" qvouj"ej"tn brjn f oup" )wf sjdbrij" >" q"r"vjbrj"p"sj"ep"ob"rij">" dp"r"n"upsj"< . qvouj"ej"tn brjn f oup"of j"dp"sj"sjdf upsj")gpobuvsf -"cbdj"oj-"dpstj"e(bdr vb-"f dd/\*

- 3 Qf s"r"n"sf b"r"ep"epof "ef r"n"ejw stf "qbsj"p"o"epob"rj"t"j"v"j"ep" sboop"j"n buf sjbrj"e"j"dpn qpop ouj"joejdbu"of j epdvn f ouj"qsfhf uwbrj"Rvb"r"psb"opo"tjbop"tqf djgdj"jo"ef ubhrj"p"of r"n"qsfhf up"pe"b"tvp"dpn q"r"n"bn f oup-tj"sjtqf uf sboop"r"n"qsf t dsj"epoj"tf hvf ouj; b\* jo" hf of sbrn" wuj" j" n buf sjbrj" f e" j" dpn qpop ouj" ef wpop" sf tjt uf sf " b"n"ohhsf ttj pof " di jn jdb" ef hrj jor vjobouj" bun ptgf sgdj-" b"n"epof " ef r"n" hsbpejof-" bj" djdrj" uf sn dj" ej" uf n qf sbwsb" )dpn qsf tp hf r"p"ejthf r"n"dpn cjobu" dpo"r"n"b"epoj"ef j"sbh"j"KS-"VW" f dd/< c\* hrjt f rfn f ouj"ej"dpovphrjbn f oup" f e"j"dbobrj"ej"hspeob-"ef gojuj"of r"n"opsn b"VOK"FO"23167.4-"p"r"usf "b r vboup" ef up" brhdpn n b"b\*"tf "ej"n f ubm" ef wpop" sf tjt uf sf " b"n" dpssptj pof -"tf "ej"br"p"n buf sjbrn ef wpop"sjtqpoef sf "b"n"qsf t dsj"epoj"qf s"j"qsp"epuj"qf s"r"n"dpqf suvsf -"tf "wf sojdbu" epwsboop" f ttf sf sf b"r"ep"ub" dpo"qsp"epuj"qf s"r"n"tuf sop"sjtqpoef ouj"brhdpn n b"b\*"r"n"sjtqpoef oeb"ef r"n"hspeob"ej"q"r"n"t"j"db b"n"opsn b"VOK"FO"718"tpeejt"p"r vboup"ef up"t"pqsb< d\* j"wcj"ej"dpovphrjbn f oup"ef j"q"r"vjbrj"ef"ef j"dp"r"n"upsj"ef wpop"sjtqpoef sf -"b"tf dpob"ef r"n" buf sjbrn-"b r vboup" joejdbu" of r"n"sjd"p"r" sf r"ouj"p" b"n" tdsjdp" ef r"n" bdr vf " vtbf < joprusf " j" wcj" ej" bddjbjp jopttjebcjr"ef wpop"sjtqpoef sf "b"n"opsn f "VOK"FO"21199< e\* qf s"j"qvouj"ej"tn brjn f oup"vbrn"pop"qf s"r vboup"bqqrj"n"bcj"r"n"qsf t dsj"epoj"tv"r"n"gpobuvsf "ebuf "ebm"n qvccrj"di f "bvupsj"l"Qf s"j"di jvtjof" f "r"n"hsjbrj"ej"qj"b"ep"rj"vbrn"r"n"opsn b"VOK"FO"235/

- 4 Qf s"r"n"sf b"r"ep"epof "ef r"n"qjbou"t"j"v"j"ep" sboop"j"n buf sjbrj"j"dpn qpop ouj" f "r"n"n pebrj"l"joejdbu" of j epdvn f ouj" qsfhf uwbrj" f " r vb"r"psb" opo" tjbop" tqf djgdj" jo" ef ubhrj"p" of r"n"qsfhf up" pe" b" tvp dpn q"r"n"bn f oup-tj"sjtqf uf sboop"r"n"qsf t dsj"epoj"tf hvf ouj/"Vbrn"joprusf " r vbrn"qsf t dsj"epof "v"r"n"sjpsf "dvj gbsf "sjg sjn f oup"r"n"opsn b"VOK"FO"23167.4/ b\* Qf s"r"n"t"dv"epof "ef r"n" wcb"epoj"vbrn"r vboup"sjqpsubup"of r"n"sjd"p"r"n" %Impianti di scarico acque usate" K' q"r"vjbrj"n pouj" b"n"tuf sop" ef wpop" f ttf sf " jot ub"n"ouj" jo" n pep" eb" r"n"t"djbsf " r"n"sp" vop"tqb"ep" usb qbsf uf "f"wcj"ej"6"dn -"j"gttbh"j"ef wpop" f ttf sf "b"n" f op"vop"jo"qspttj"n j"l"ej"phoj"hjvoup" f e" f ttf sf ej"n buf sjbrn"dpn qbucjr"n"dp"r"vf r"n"ef r"n"wcj/ c\* K'cpddi f upoj" f e"j"tj"epoj"ef wpop" f ttf sf "tf n qsf "ef r"n"ejbn f usp"ef r"n" wcb"epoj"di f "jn n f ejbubn f ouf "rj"n tf hvpop/"Rvboep"r"n"qjbou"bdr vf " n f uf psjd f "à"dp"r"n"hbup"b"n"n"qjbou"ej"t"dsjdp"bdr vf " vtbf "ef wf

f ttf sf "jof sqptup"vo"tjgpf /  
Uvuf "rn"dbejupjf "b"qbwjn f oup"ef wpop"f ttf sf "tjgobuf /"P hoj"jotf sijn f oup"tv"vo"dnruupsf "psj  
ef wf "bwvf ojsf "be"brn f op"2-6"n "ebrtq voup"ej"joof t up"ej"vo"qmwjbrf/  
d\* Qf s"j"qmwjbrf e"j"dnruupsf"jot ubruj"jo"qbsj"jof sof "brn(ejgdj)"jof sdbqf ejoj"ej"qbsf u-"f dd/\*"ef wpop  
f ttf sf "qsf tf "uvuf "rn"qsf dbvEjpoj"ej"jot ubruEjpoj")gtt bhj"rat ujd-"n buf sbrj"dpjcf ouj"bdvt udbn f ouf -  
f dd/\*"qf s"jrn jubsf "f ousp"vbrpsj"bn n jttjcjrtj"svn psj"ubtn f ttj/

- 5 Mb"Ejsf Ejpof "ef j" Mbwpsj"qf s"ra"sf brnEjpoj "ef rn"qjboup"ej"tdbsjdp"ef rn"bdr vf "n f uf psjdi f "pqf sf sU  
dpn f "tf hvf /
- b\* Of rtdpstp"ef rn"tf dvEjpoj "ef j"rbwpsj-"dpo"sjg sijn f oup"bj"uf n qj"fe"brn"qspdf evsf "-"wf sjgdi f sU"vjb"vjb  
di f "j"n buf sbrj"jn qjf hbu" f "rn"uf dojdi f "ej" f tf dvEjpoj "tjbop" f gf ujbvbn f ouf "r vf rn"qsf tdsju" f e  
joprusf "-"qf s"rn"qbsj"ef tjobuf "b"opo"sf tbsf "jo"wtub"p"di f "qpttpop"jogwjsf "jssf wf stjcnm f ouf "tvm  
g oEjpo bn f oup" gobrn-" wf sjgdi f sU" di f "rn"tf dvEjpoj "tjb" dpf sf ouf "dpo" r vf rn"dpodpsebub" )r vf tub  
wf sjgdb"qpusU" f ttf sf "f gf uwvub"bodi f "jo"qpsn b"dbtvbrn" f "tubjt udb"of rtdbt p"ej"hsboej"pqf sf \*/  
Fgf uvf sU"p" dpsU" f gf uwvbsf "f "t pupt dsjw"sf "jo"vob"ejdi jbsbEjpoj "ej"dpogpsn jU"rn"qspw" ej"uf ovub  
brn"bdr vb"dpn f "sjqpsubup"of rtdbsjdp"t vrn"qjboup"ej"tdbsjdp"bdr vf "vt buf /
- c\* Bruf sn jof "ef j"rbwpsj" f tf hvjsU"vob" wf sjgdb" gobrn"ef rn"pqf sb" f "tj" dpsU"sjrt djsf "ebrn"tf dvupsf "vob  
ejdi jbsbEjpoj "ej"dpogpsn jU"ef rn"pqf sb"brn"qsf tdsjEjpoj"ef rthqsf up-"ef rthqsf tf ouf "dbajurub" f "ej  
bruf "f wf oubrj"qsf tdsjEjpoj"dpodpsebub /  
Mb"Ejsf Ejpof "ef j" Mbwpsj"sbddphjri sU"joprusf "jo"vo"dot djdrp"j"epdvn f ouj"qspfh uwbrj"qjò"tjhojgdbujv-"ra  
ejdi jbsbEjpoj "ej"dpogpsn jU"qsf ef ub")f e" f wf oubrj"t di f ef "ej"qspeuwj\*"opodi è"rn"jt usvEjpoj"qf s"ra  
n bovuf oEjpoj "dpo"n pebrju" f "gf r vf oE"ef rn"pqf sbEjpoj/

Uvuj"j"qspeuwj" f Op"n buf sbrj"ej" dvj"brhqs f tf ouf "bsjdrp-"r vbrpsb"qptt bop" f ttf sf "epubj" ej"n bsdbwvbs" DF  
tf dpoep"ra"opn bujb"uf dojdb"vjhf ouf "-"epwsboop" f ttf sf "n vojju"ej"lbrn"n bsdi jp/

# **CAPITOLO 7**

## **IMPIANTI ELETTRICI**

**CARATTERISTICHE E QUALITÀ DEI MATERIALI - ESECUZIONE DEI LAVORI - VERIFICHE E  
PROVE IN CORSO D'OPERA DEGLI IMPIANTI**

**Art. 5.7.1  
CARATTERISTICHE E QUALITÀ DEI MATERIALI**

**5.7.1.1 Indicazioni generali**

Rvbrfn" sf hprn" hf of sbrfn" tj" jof oef " di f " uuj" j" n buf sbrjn" bqbsf ddi jbuwf " f " dpn qpop ouj" qsf vjt uj" qf s" rta sf brjefepof " ef hjrl jn qjbouj" epvsboop" fttf sf " n vojuy" ef rh Nbsdi jp" Kbrjhop" ej" RvbrjU" )KNR\* f Qp" ef m dpousbttf hop"DFK"p"ej"brsp"Nbsdi jp" f Qp" Df sjgdbejpop " f r vjvbrfnouf /

Ubrjn" buf sbrjfl" bqbsf ddi jbuwf " tbsboop" ovpvj- " ej" brn" r vbrjU" " ej" tjdvsb" bggebcjru" " dpn qrfuj" ej" uuj" hjn f rfn f ouj" bddf ttspj" of df ttbsj" qf s" rta" rpsp" n fttb" jo" paf sb" f " qf s" jrhdpsf up" g oEjpopn f oup- " bodi f " tf " opo f tqsf ttbn f ouf " djubj" of rta" epdvn f oubEjpop " ej" qspfh up- < joprusf - " epvsboop" fttf sf " dpogpsn j- " prusf " di f " brfn qsf tdsjEjpoj" dpousbuwbrjn" bodi f " b" r vboup" tubcjrup" eb" Mfhj- " Sf hprn f ouj- " Djsdprtsj" f " Opsn bujw" " Uf dojdi f vjhf ouj" )VOK"DFK"VOFMf dd/\*" bodi f " tf " opo" f tqrdjbn f ouf " n f oEjpopouf /

K" n buf sbrjfl" j" dpn qpop ouj" ef wpop" dpssjtqpoef sf " brfn" qsf tdsjEjpoj" ej" rnhhf " f " ef rhqsf tf ouf " Dbqjuprup Tqf djbrfn- < fttj" epvsboop" fttf sf " ef rta" n jhrjpsf " r vbrjU" f " qf sf ubn f ouf " rrvpsbu- " f " qpttpop" fttf sf " n f ttj" jo paf sb" tprn f ouf " epqp" r bddf ubEjpop " ef rta" Ejsf Ejpop " ef j" Mwpsj/

Qf s" r vboup" opo" f tqsf ttp" of rhqsf tf ouf " Dbqjuprup" Tqf djbrfn- " sf rhuwbn f ouf " brn" bddf ubEjpop - " r vbrjU" f jn qjf hp" ef j" n buf sbrjn" brn" rpsp" qspwjt ub- " jrhrp" ef rta" rpsp" qspw oj f oE" f " rfn w ouwbrfn" tptujwEjpop " ej r vf tu(vrjn p- " tj" bqqrjhop" rfn" ejtqptjEjpoj" ej" dvj" brn" rpsp" 5- " brfnhup" K/25" ef rre/rnt /" 4703134" f " bsuj" 27- " 28- " 29" f 2: " ef r Dbqjuprup" Hf of sbrfn" e(Bqqrbrp" E/N/" 25603111" f " t/n /j/

KtEjsf upsf " ef j" Mwpsj" tj" sjt f swb" jrhejsup" ej" bvupsjEbsf " rjn qjf hp" p" ej" sdi jf ef sof " rta" tptujwEjpop - " b" tvp jotjoebdcjfrn" hjveEj- " tf oE" di f " qf s" r vftup" qpttboop" fttf sf " sdi jf tj" joef ooEj" p" dpn qf otj" tvqqrufuj" ej r vbrjbtj" obuwb" f " tqf djf /

Uvuj" j" n buf sbrjfl" di f " wssboop" tdsbuuj" ebrtEjsf upsf " ef j" Mwpsj- " epvsboop" fttf sf " jn n fejbun f ouf " tptujwEj- " tjboop" fttj" ef qptjubj" jo" dbouj sf - " dpn qrfubn f ouf " p" qbsEjbrn f ouf " jo" paf sb- " tf oE" di f " rrvpsbuwpsf " bccjb" ovrn eb" f ddf qjsf " /E pvsboop" r vojef fttf sf " tptujwEj" dpo" n buf sbrjfljepof j" sjt qpoef ouj" brfn" dbsbuuf sjtjdi f " f " bj" sf r vjtj j sdi jf tj/

Tbrmp" ejw stf " ejtqptjEjpoj" ef rEjsf upsf " ef j" Mwpsj- " of j" dbtj" ej" tptujwEjpop " j" ovpvj" dpn qpop ouj" epvsboop fttf sf " ef rta" tfttbn" nbsd- " n pef rna" f " dprpsf " ej" r vf rjrlqsf f tjt f ouj- " rta" dvj" gsojuwb" tbsU" dpn qvubn" dpo" j" qsf Eej ef hjrl f rnod j" brfnhuj/ " Qf s" dpn qspwuj" n puwj- " jo" qbsudprtsf " of rhdbt p" ej" dpn qpop ouj" opo" qjò" sf qf sjcjl tvm n f sdbu- " rrvpsbuwpsf " epvsUf" gf uwbsf " vo" bddvsbn" sjdf sdb" brtjof " ej" sf qf sjsof " j" qjò" tjn jrjlb" r vf rjrlb" tptujwjsf tjb" b" rjw rna" f dojdp. g oEjpopbrn" di f " f " tuf ydp/

Uvuj" j" n buf sbrjn" n vojuy" ef rta" of df ttbsjb" epdvn f oubEjpop " uf dojdb- " epvsboop" fttf sf " tpupqptj- " qsjn b" ef m rpsp" jn qjf hp- " brn" tbn f " ef rEjsf upsf " ef j" Mwpsj- " bgjodi è f ttj" tjbop" sjdpopt djvuj" jepof j" f " ejdi jbsuj" bddf ubcjrj/

M bddf ubEjpop " ef j" n buf sbrjn" ef rfn" bqbsf ddi jbuwf " f " ef hjrljn qjbouj" à" vjodprub" ebrn" tjp" qptjwv" ej" uuf " rfn wf sjdi f " qsf tdsjuf " ebrn" opsn f " p" sdi jf tuf " ebrtEjsf upsf " ef j" Mwpsj- " di f " qpusUf" gf uwbsf " jo" r vbrjbtj" n pn f oup )qsf rjn jobsn f ouf " p" bodi f " be" jn qjf hp" hjU" bwf ovup\* " hjrl pqqpswoj" bddf sbn f ouj- " vjtjuf - " jt qf Ejpoj- " qspw - bbrjrtj" f " dpousrjrl

Uvuj" j" n buf sbrjfl" qf s" j" r vbrjU" à" qsf vjt ub" rjn prphbejpop - " p" df sjgdbejpop " tjn jrbsf - " eb" qbsuf " ef rna" /O/B/K/M- VWVG- "B/T/M" p" brsp" Fouf " qsf qptup" tbsboop" bddpn qbhobuj" ebrtEpdvn f oup" buf t ubouf " ef ub" pn prphbejpop /

Uvuj" j" n buf sbrjfl" rfn" bqbsf ddi jbuwf " jn qjf hbuf " f " rfn" n pebrjU" ef rna" n poubhjrp" epvsboop" fttf sf " brjleb; b\* " hbsbujsf " rtttprub" dpn qbucjruU" dpo" rta" g oEjpop " dvj" tpop" qsf qptj < c\* " bsn pojEbstj" b" r vboup" hjUf tjt f ouf " of rta" cijf ouf " phhf up" ej" jof svf oup/

Uvuj" hjrljof svf ouf " j" n buf sbrjfljn qjf hbuj" jo" dpssjtqpoef oE" ef rfn" dpn qbsujn f oubEjpoj" boujodf oejp" wf sjdbrjn f e" psjEpopbrjlepvsboop" fttf sf " brjleb" opo" ef hsbebsf " rta" Drattf " SFK/

Mb" TubEjpop " Bqqrubouf " tj" sjt f swb" rta" g dpruU" ej" gsojsf " brn" Ejub" bhjvejbubsjb- " r vbrpsb" rna" sjf of ttf pqqpswo- " uuj" p" qbsuf " ef j" n buf sbrjfl" eb" vjrlEbsf - " tf oE" di f " r vftub" qpttb" bwboEbsf " qsf uf tf " p" dpn qf otj bhjvouvj" qf s" rfn" qsf tubEjpoj" di f " ef w" gsojsf " qf s" rna" rpsp" n fttb" jo" paf sb/

**5.7.1.2 Caratteristiche tecniche di impianti e componenti**

**Criteria per la dotazione e predisposizione degli impianti**

Of rhdbt p" qjò" hf of sbrfn" hjrljn qjbouj" f rnujsdj" vjrlEbsj" qsf wf epop;

- qvouj" ej" dpotf hob" f e" f w ouwbrfn" dbcjob" f rnujsdb <
- djsdvuj" n poubouj- " djsdvuj" ef sjvuj" f " uf sn jobrj <
- r vbesp" f rnujsdp" hf of sbrfn" Qp" ef j" tf svjE- " r vbesj" f rnujsdj" rpdbrjlp" ej" vojU" jn n pcjrlbsj <
- brjn f oubEjpoj" ej" bqbsf ddi j" gttj" f " qsf tf <
- qvouj" rna" f gttj" f " dpn boej < jmn jobEjpop " ej" tjdvsf Eeb- " pw" qsf wf ejcjrfl/

Dpo"jn qjbou"bvtjrbjs"tj"jouf oepop;

- rfn qjbou"djupgojdp"dpof"apsuf sf "f rhusjdp"p"dpof"df ousbrjop"ej"apsujof sjb" f "dpo n vubjdpof "brtqpt up f t f sop<
- rfn qjbou"vjef pdjupgojdp<
- rfn qjbou"df ousbrjop"ej"bouf oob"UWf "NG/

Mjn qjbou"uf rfgojdp"hf of sbm f ouf "tj"jrn jub"bmb"qsf ejt qpt jbjpof "ef rfn"uwbjdpof"ef rfn"qsf tf /  
 È"joejt qf otbcjrfn"qf s"tbcjrsf "ra"dpotjt of oeb" f "epubjdpof "ef rfn"qjbou" f rhusjdp-"bvtjrbjs" f "uf rfgojdp" ra  
 ef gojbjpof "ef rfn"ef t jobbjpof "e(vtp"ef rfn"vojw"jn n pcjrbjs)"be"vtp"bcjubjwp-"be"vtp"vggdj-"be"brnsj"vtj\*f "ra  
 ef gojbjpof "ef j"tf swj"hf of sbrij"t f swj" dpo voj;" qpsujof sjf "-"bvupsjn f ttf "-"cpy"bvup-"dboujof "-"t dbrn-"brnsj<  
 tf swj"uf dojdj;"dbcjob" f rhusjdb<"bt df ot psj<"df ousbrj"uf sn jdi f "-"jesjdi f "f"ej"dpoejbjpobn f oup<"jrn jobbjpof  
 f t f sob" f e"brnsj\*/

Rvbrj"joejdbjdpof"ej"sjf sjn f oup"qf s"ra"qspbf ubjdpof "ef rfn"qjbou" f rhusjdp-"bvtjrbjs" f "uf rfgojdp"pwf "opo  
 ejw stbn f ouf "dpodpsebup" f "tqf djgdbup-"tj"qpusboop"bt tvn f sf "rfn"joejdbjdpof"gpsn vrbu"ebmb"DFK75.61"qf s  
 ra"epubjdpof "ef rfn"wsbjf "vojw"jn n pcjrbjs" f "qf s"j"tf swj"hf of sbrij/

Tvmb" of df ttjw" ej" vob" dbcjob" f rhusjdb" f "tvmb" ef gojbjpof "ef rfn"p dbrn" ef j" hsvqqj" ej" n jtvsb" pddpsf sù  
 dpoubusf "rnfou" "ejt usjcvpsf" ef rfn" of shjb" f rhusjdb/" Bobrphbn f ouf "qf s" jrht f swj" f "uf rfgojdp" pddpsf sù  
 dpoubusf "rnfou" oeb" gsojsjdf "ef rfn" t f tt p/

### Criteria di progetto

Qf s"hrjrn qjbou" f rhusjdp" of rnbtp"qjò"hf of sbm-"à"joejt qf otbcjrfn" rnbtp"ef j" dbrn" j"qsf vjt u" f "qsf wf ejcjj"qf s  
 ra"ef gojbjpof "ef rfn"bjdp"dpowf oejpobrn"ef j" dpo qpof ouj" f "ef rfn"tj" f n b/

Dpo"sjf sjn f oup"bmb"dpoghvbsbjpof "f" dpt ujbjdpof "ef rfn"qjbou-"di f "tbsboop"sjqpsubf "tv"bef hvbu"t di f n j  
 f "qrbjn f usjf "-"à"of df ttbsj"jrn f otjpbobn f oup"ef j" djsdvj"tjb"qf s"jrn"oebjpbobn f oup"opsn brn"b"sf hjn f "-"di f  
 qf s"jrn"oebjpbobn f oup"bopn brn"qf s"tpvbsdpssf ouf /"Pwf "opo"ejw stbn f ouf "tbcjrbjs"ra"dbevub"ej"uf otjpbobn  
 of rfn"qjbou"opo"ef wf "f ttf sf "tvqf sjpsf "brt5&"ef rfn"vbrpsf "opn jobrn/

È"joejt qf otbcjrfn" ra" vrbubjdpof "ef rfn" dpssf ouj" ej" dpsup" djsdvjup" n bttjn p" f "n join p" ef rfn" wbsj" qbsj  
 ef rfn"qjbou/"Of rnejn f otjpbobn f oup" f "of rnb"t df rnb"ef j" dpo qpof ouj"pddpsf "bttvn f sf "qf s"jrn"dpssup" djsdvjup  
 n join p"vbrpsj"opo"tvqf sjpsj"b"r vf rnf"gf ujjw"qsf tvn jcjrn"n f ouf "qf s"jrn"dpssup" djsdvjup"n bttjn p"vbrpsj"opo  
 jogf sjpsj"bj"vbrpsj"n join brj" f wf oubrn f ouf "joejdbu" ebmb" opsn bujb" f "dpo vor vf "opo" jogf sjpsj" b" r vf rnf  
 f gf ujjw"qsf tvn jcjrn/

È"pqapsuop;

- bj"joj"ef rfn"qspuf bjdpof "ef j" djsdvj"uf sn jobrn"brn"dpssup" djsdvjup"n join p-"bepubsf "jouf ssvupsj"bvupn bujdj  
 dpo"dbsbu"sjt udb"Mp" dpo vor vf "bttvn f sf "r vbrn"uf n qp"e"jouf swf oup"n bttjn p"qf s" f ttj"1-5t <
- bj"joj"ef rfn"dpoujovjw" f "g"oebjpbobn"pujn brn"ef rfn"swj" f rhusjdp-"dvbsf "jrn"dpssup" jobn f oup"t f rhujwp  
 ef rfn"jouf swf oup"ef j"ejt qpt ujjw"ej"qspuf bjdpof "jo"t f sjf "-"jo"qbsjdp"rbsf "ef rfn"jouf ssvupsj"bvupn bujdj  
 ejgf sf oebjrn/

Qf s"hrjrn qjbou"bvtjrbjs" f "uf rfgojdp"tbsboop" gsojuf "dbsbu"sjt udi f "uf dojdj f "f"e" f rncpsu"hsbjd")t di f n j"p  
 qrbjn f usj f \*/

### Criteria di scelta dei componenti

K'dpo qpof ouj"ef wpop" f ttf sf "dpogsn j"bmb"qsf tdsbjpof"ej"tjvdf oeb"ef rfn"sjt qf ujjw"opns f "f"t df rnf" f n f ttj  
 jo"pqf sb"uf of oep"dpou"ef rfn"dbsbu"sjt udi f "ej"djbt dvo"bn c jf ouf /

#### 5.7.1.3 Accettazione dei materiali

K'n buf sbrij"ef j"r vbrj"tjbop"sjdi jf t u"j"dbn qjpoj-"opo"qpusboop" f ttf sf "qpt u"jo"pqf sb"di f "epqp"r"ddf ubjdpof  
 eb" qbsu" ef rfn" Tubjdpof " Bqbrnbouf /" Rvf tub" epwsù" ebsf "jrn"qspqsjp" sf tqpotp" f oup" t f uf "hjpsoj" ebmb  
 qsf tf ubjdpof "ef j"dbn qjpoj-"jo"ejgf up"jrn"subsep"hsbw sù"tvj"uf sn joj"ej"dpotf hob"ef rfn"pqf sf /

M "qbsu"tj"bddpsef sboop"qf s"r"oebjdpof "-"qf s"j"qsf eej" f "qf s"ra"dpotf hob" r vbrpsb"of rhdpsp"ef j" rlvpsj"tj  
 gpttf sp"vujr"ouj"n buf sbrij"opo"dpouf n rhu"of rhdpsu/

Mkn qsf tb" bhhjejdubsbj" epwsù" qspwef sf "-" b" qspqsj" tqf tf" f "of rñ qjò" csf wf" uf n qp" qpttjcrn-  
 bmb"poubobn f oup"ebrtdouj"sf "f e"bmb"tpt ujbjdpof "ej" f wf oubrj" dpo qpof ouj"sjf ovuj"opo"jepof j"ebrtEjsf upsf  
 ef j"lvpsj/

Mbddf ubjdpof "ef j" n buf sbrij" eb" qbsu" ef rñ Ejsf upsf "ef j" lvpsj-"opo" f t pof sb" r"qbrnbupsf " ebmb  
 sf tqpotbcjrn"di f "hrj" dpo qf upop"qf s"jrn"vpo" f t jup"ef rnfou" swf oup/

#### Art. 5.7.1.4 Cavi

Dpo"ra"ef opn jobbjpof "ej"dbwp" f rhusjdp"tj"jouf oef "joejdbf "vo"dpoevupsf "vojgpn f n f ouf "jt prbu"pqqvsf "vo  
 jotj f n f "ej"qjò"dpoevupsj"jt prbu-"djbt dvo"sjt qf up"bhrj"brnsj" f "wf st p"rñ t f sop-"f "sjvoju"jo"vo"vojdp" dpo qf rñ t p

qspwjt up"ej"sjvf tijn foup"qspuf uijvp/

Mb"dpn qptjējpf "ef j"dbwj"bn n f ttj"tpop"eb"jof oef stj"of n"tf hvf ouj"qbsj;

- j"dpoevupsf ;"n"qbsf "n f ubn"eb"ef tujobub"b"dpoevssf "n"dpssf ouf <
- n"tpobuf ;"n"t usup"ftuf sop"di f "djsdpob"j"dpoevupsf <
- n"bojn b ;"j"dpoevupsf "dpo"j"sf r"ujvp"jt prbouf <
- n"t di f sn p ;"vop"t usup"ej"n buf sjbrn"dpoevupsf "di f "à"jotf sjp"qf s"qsf wf ojsf "j"ejtwscj<
- n"hbvjob ;"j"sjvf tijn foup"qspuf uijvp"ej"n buf sjbrn"opo"n f ubn"eb"ef sf ouf "br"dpoevupsf /

K"ttjtuf n b"ej"ef tjhobējpf -"sjdbwup"ebn"Opsn b"DFK31.38-"tj"bqqrab"bj"dbwj"eb"vujēj"bsn pojēj"jo tf ef "DFOFMD/"K"uj"ej"dbwj"obējpbjn"qf s"j"r vbrj"j"DU"31"ef r"DFOFMD"i b"dpodf ttp"ftqsf ttbn f ouf "n"vt p-qpttpop"vujēj"ubrn"tjtuf n b"ej"ef tjhobējpf /"Q" s"uwuj"n"br"dbwj"obējpbjn"tj"bqqrab"n"lbcf n"DFKVOFM 46122;"Tjhrn"ej"ef tjhobējpf •/

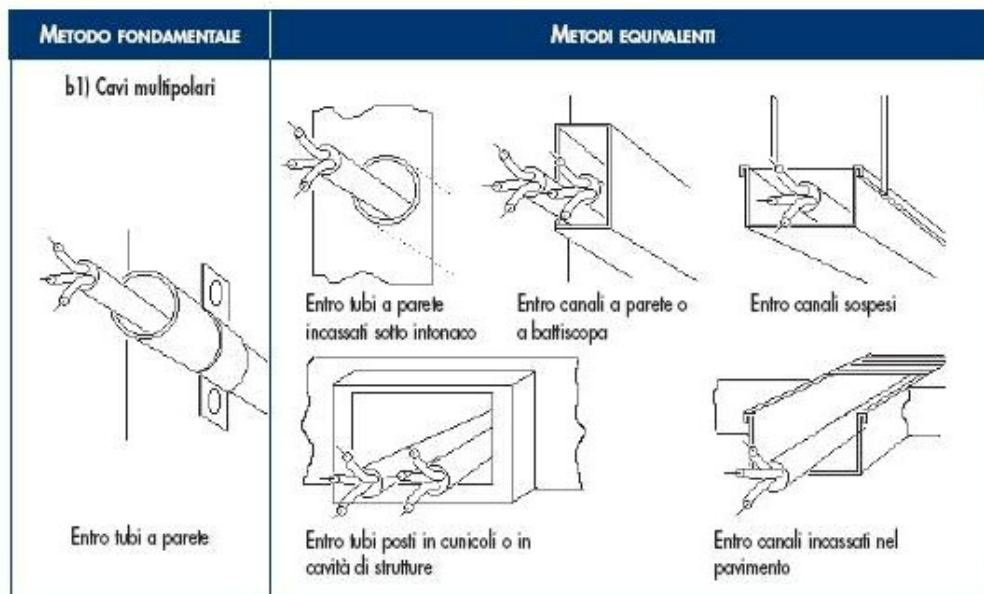
Bj"goj"ef n"ef tjhobējpf "dpn qrnub"ej"vo"dbwp-"n"tjhrn"ef wf "f ttf sf "qsf df evub"ebn"ef opn jobējpf ""Dbwp" f "ebn"tf hvf ouj"dejjdi f ;

- 2/ Ovn f sp-"tf ējpf "opn jobrn"ef wf oubrj"qbsjdpbsj"ef j"dpoevupsj<
- 3/ Obw"sb"ef "hsbep"ej"grttjcj"ef j"dpoevupsj<
- 4/ Obw"sb"ef "r vbrj"ef n"tpobuf <
- 5/ Dpoevupsj"dpodf ouj"t di f sn j"tvj"dbwj"vojqprbsj"p"tvrn"tjohprn"bojn f "ef j"dbwj"n vrgqprbsj<
- 6/ Sjvf tijn f ouj"qspuf uijvp"n"hbvjob Obsn bwsf \*tv"dbwj"vojqprbsj"p"tvrn"tjohprn"bojn f "ef j"dbwj"n vrgqprbsj<
- 7/ Dpn qptjējpf "f"opsn b"ef j"dbwj<
- 8/ Dpoevupsj"dpodf ouj"t di f sn j"tvn"otj f n f "ef n"bojn f "ef j"dbwj"n vrgqprbsj<
- 9/ Sjvf tijn f ouj"qspuf uijvp"n"hbvjob "bsn bwsf \*tvn"otj f n f "ef n"bojn f "ef j"dbwj"n vrgqprbsj<
- :/ Fvf oubrj"pshboj"qbsjdpbsj<
- 21/ Uf otjpf "opn jobrn/

Bn"tjhrn"tf hvjsu"n"djubējpf "ef rhovn f sp"ef n"lbcf n"DFKVOFM"pwf "r vftub"ftjub-"f"eb"fwf oubrj joejdbējpoj"p"qsf tdsējpoj"dpn qrn f oujs"qsf djtbj/

### Isolamento dei cavi

K"dbwj"vujēj"of j"tjtuf n j"ej"qsjn b"dbuf hpsj"epwsboop"fttf sf "bebu"b"uf otjpf "opn jobrn"wf stp"uf ssb"f uf otjpf "opn jobrn")VpOV\*"opo"jof sjpsj"b"5610861W"Rvf n"vujēj"of j"dsdvj"ej"tf hobrējpf "f"dpn boep epwsboop"fttf sf "bebu"b"uf otjpoj"opn jobrn"opo"jof sjpsj"b"4110611W"Rvf tuj"vngj"j-"tf"qptbuj"of n"tuf ttp wcp-"dpoeup"p"dbobrn"dp"dbwj"qsf vjt"u"dp"uf otjpoj"opn jobrn"vqf sjpsj"epwsboop"fttf sf "bebu"b"uf otjpf opn jobrn"n bhhsj"K"n f upej"ej"jotubnējpf "dpotf ouj"qpusboop"dpn qsf oef sf "vop"p"qjò"usb"r v"n"jmt usuj"ej tf hvjup-"dpn f "eb"joejdbējpf "qshf wbrn"q"ef n"Ejsf ējpf "Mwpsj;



### Colorazione delle anime

K"dpoevupsj"jn qjf hbu"of n"tf dvējpf "ef hrij"jn qjboj"epwsboop"fttf sf "dpousbeejt uoj"ebn"dpnbsējpoj qsf vjtuf "ebn"vjhf ouj"lbcf n"ej"vojgdbējpf "DFKVOFM11823-11833-11835-11837-11838"DFKFO61445/Ko"qbsjdpbsf"j"dpoevupsj"ej"of vusp"f"qspuf ējpf "epwsboop"fttf sf "dpousbeejt uoj"sjtqf uijwb n f ouf "f e f t dmt jwb n f ouf "dpo"j"r"p"sf "cm"di jbsp"f"dp"j"r"p"sf "hjbmp.wf sef /"Q" s"r vboj"sjhvbseb"j"dpoevupsj"ej"gtf -

hrijt uf ttj"epwsoop"fttf sf "dpousbeejt uouj"jo"n pep"vojwvdp"qf s'wup"r(n qjbou"ebj"dpnsj;"of sp-"hsjhj")df of sf \* f "n bsspof /

Tbsboop"dpn vor vf "bn n fttf "bruf "dprpsb"ejpoj"qf s'dbwj"jo"cbttb"uf otjpodf -"jo"qbsjdpnsf "qf s'dbwj"vojqrbsj tf dpoep"rb"tf hvf ouf "lbcf mb;

**Individuazione dei conduttori tramite colori**

Uso	Colore
consigliato come conduttore di fase	nero
consigliato come conduttore di fase	marrone
per uso generale	rosso
per uso generale	arancione
conduttore di neutro o mediano	blu chiaro
per uso generale	viola
per uso generale	grigio
per uso generale	bianco
per uso generale	rosa
per uso generale	turchese
conduttore di protezione (PE)	giallo-verde
conduttore PEN	blu chiaro con marcature giallo-verde alle terminazioni
conduttore PEN	giallo-verde con marcature blu chiaro alle terminazioni
conduttore di neutro o mediano nudo quando identificato mediante colore	banda blu chiara, larga da 15 mm a 100 mm, in ogni comparto o unità e in ogni posizione accessibile colorazione blu chiaro per tutta la lunghezza
conduttore di protezione nudo quando identificato mediante colore	nastro bicolore giallo-verde, largo da 15 mm a 100 mm, in ogni comparto o unità e in ogni posizione accessibile colorazione giallo-verde per tutta la lunghezza

**Prescrizioni riguardanti i circuiti - Cavi e conduttori**

K'ref dsf up"rnhjtrbuyp"o/21703128"vjf lb"b"qbsjfs "ebn" bhptup"3128"rjotubn"ejpof "ej"dbwj"opo"dpogsn j"bm Sf hprbn foup"VF"o"o"41603122"jn n fttj"tvrn f sdbup"epqp"j"qsjn p"mhjrp"3128/

K' dbwj"opo" bodpsb" ejtqojcjrj" brhn pn foup" ef mb" sf ebejpodf " ef r'qspfh up" qpusoop" fttf sf " qsf tdsjuj" ebm qspg ttjpojtb" f" jotubn"qvscd à"jn n fttj"tvrn f sdbup"qsjn b'ef r'qsjn p"mhjrp/"K'dbwj"bdr vjt uby"qsjn b'ef r'qsjn p mhjrp" qpusoop" fttf sf " vujebuj" tf oeb" rjm juj" ej" uf n qp/" Uvubwj" epwsoop" fttf sf " jn qjf hby" dbwj" DQS dpssjtqoef ouj"r vbpsb"r vf tuj"epwf ttf sp"sf oef stj"ejtqojcjrj"tvrn f sdbup"qsjn b'ef r'ntf dvejpodf "ef r'jn qjbou/

**Sezioni minime e cadute di tensione ammesse**

M"tf ejpoj" ef j" dpoevupsj" dbrpuf "jo" groejpodf " ef mb" qpu f oeb" jn qf hobub" f" ef mb" mohi f oeb" ef j" djsdvj j)bgjodi è"mb"dbevub"ej"uf otjpodf "opo"tvqf sj"r'wbrpsf "ef r'5& " ef mb"uf otjpodf "b"vwvup"epwsoop"fttf sf "tdf ruf "usb r vf r'n"vojgdbuf /"K"phoj"dbtp"opo"epwsoop"fttf sf "tvqf sbuj"j"vbrpsj"ef r'n"qpsubf "ej"dpssf ouf "bn n fttf -"qf s'j ejwf stj"ujqj"ej" dpoevupsj"ebn"lbcf r'n"ej"vojgdb"ejpodf "DFK"VOFM4613502"i "3/

Koejqf oef ouf n f ouf "ebj"vbrpsj"sjdbwuj"dpof"r'qsf df ef ouj"joejdb"ejpoj-"r'ntf ejpoj"n jojn f "bn n fttf "tpop;

- 1-86"n n 3"qf s'djsdvj"ej"tf hobn"ejpodf "f"uf r'ndp boep<
- 2-6"n n 3"qf s'jmn job"ejpodf "ej"cbtf -"ef sjw"ejpodf "qf s'qsf tf "b"tqjob"qf s'brusj"bqqbsf ddi j'ej"jmn job"ejpodf f"qf s'bqqbsf ddi j'dpo"qpu f oeb"vojubsj"jogf sjpsf "p"vhvbrn"b"3-3"l X <
- 3-6"n n 3"qf s'ef sjw"ejpodf "dpo"p"tf oeb"qsf tf "b"tqjob"qf s'vujebuj"ejpodf"qpu f oeb"vojubsj"tvqf sjpsf "b 3-3"l X "f"jogf sjpsf "p"vhvbrn"b"4"l X <
- 5"n n 3"qf s'n pouboj"tjohprj"r'jof f"brjm f ouboj"tjohprj"bqqbsf ddi j'vujebuj"ejpodf"qpu f oeb"opn jobrn tvqf sjpsf "b"4"l X <

**Sezione minima dei conduttori neutri**

Mb"tf ejpodf "ef r'dpoevupsf "ej"of vusp"opo"epwsoop"fttf sf "jogf sjpsf "b"r vf mb"ef j"dpssjtqoef ouj" dpoevupsj"ej gdtf /"K"djsdvj"qprjotj"dpof" dpoevupsj"ej"gtf "bwf ouj"tf ejpodf "tvqf sjpsf "b"27"n n 3"tf "jo"sb n f "pe"b"36"n n 3"tf jo"bmn jojp-"r"ntf ejpodf "ef r'dpoevupsf "ej"of vusp"qpus"fttf sf "jogf sjpsf "b"r vf mb"ef j" dpoevupsj"ej"gtf -"dpm



n jojn p"uubwjb"ej"27"n n 3")qf s"dpoevupsj"jo"sb n f\*"qv sdi è"tjbop"tpeejt duf "rñ"dpoej"ejpoj"ef n"opsu"635/4 ef n"opsn b"DFK75.906/

**Sezione dei conduttori di terra e protezione**

Mb"tf"ejpof "ef j"dpoevupsj"ej"qspuf"ejpof "-"djpa"ef j"dpoevupsj"di f "dprñhbop"bnñn qjbou"ej"uf s"b"rñ"qbsu"eb qspuf hhf sf "dpousp"j"dpoubu"joejsf u"-"tf "dpt uju"ebm"t"t"p"n buf s"b"rñ"ef j"dpoevupsj"ej"gtf "-"opo"epvsu f ttf sf "jogf sjpsf "b"r vf n"joejdbub"of n"lbcf n"t"hf hvf ouf "-"usbub"ebm"opsu"654/2/3"ef n"opsn b"DFK75.906/

TF[ KP OF" N KOKN B" E FMDP OE VUUP SF" E K'QSP UF[ KP OF	
Sezione del conduttore di fase dell'impianto S (mm <sup>2</sup> )	Sezione minima del conduttore di protezione Sp (mm <sup>2</sup> )
T"≤"27	Tq">"T
27"="T"≤"46	Tq">"27
T"A"46	Tq">"T03

Ko"brñf sobujwb"bj"dsjuf sj"t pqsb"joejdbu"tbsu"dpotf oujup"jñhbop"ef n"tf"ejpof "n jojn b"ef rñdpoevupsf "ej qspuf"ejpof "n f ejbouf "jñn f upep"bobrujdp"joejdbu"of n"opsu"654/2/2"ef n"opsn b"DFK75.906/

**Sezione minima del conduttore di terra**

Mb"tf"ejpof "ef rñdpoevupsf "ej"uf s"b"epvsu"f ttf sf "opo"jogf sjpsf "b"r vf n"ef rñdpoevupsf "ej"qspuf"ejpof ")jo bddpsep"bnñn"opsu"654/2"DFK75.906"\*)dpo"j"n jojn j"ej"tf hvjup"joejdbu"usbuj"ebm"opsu"653/4/2"ef n"opsn b"DFK 75.906;

Tf"ejpof "n jojn b")n n 3\*

- qspuf up"dpousp"rñ"dpssptj"pof "n b"opo"n f ddbojdbn f ouf "27")DV\*(27")GF\* <
- opo"qspuf up"dpousp"rñ"dpssptj"pof "36")DV\*(61")GF\* /

**Classi di prestazione dei cavi elettrici in relazione all'ambiente di installazione / livello di rischio incendio**

Mb"Opsn b"DFK"VOFM46127"gttb-"tvñn"cbtf "ef rñn"qsf tdsj"ejpoj"opsn bujwf "jot ubn"ujwf "DFOFMD" f "DFK"rñ r vbusp"drñtt"ej"sf b"ejpof "brñy pdp"qf s"j"dbwj"rñusjdj"jo"sf rñ"ejpof "brñsf hprñn f oup"Qspepu"eb"Dpt usv"ejpof ")VF 41603122"\*)di f "dpotf oupop"ej"sjt qf ubsf "rñ"qsf tdsj"ejpoj"jot ubn"ujwf "of n"uubwbrñ"wf stj"pof "ef n"Opsn b"DFK75.9/

Mb"Opsn b"DFK"VOFMtj"bqqjdb"b"uuj"j"dbwj"rñusjdj-"tjbop"fttj"qf s"jñusbt qpsup"ej"of shjb"p"ej"usbt n jt tj"pof ebu"dp"dpoevupsj"n f ubn"uj"p"ejf rñusjdj"qf s"jot ubn"ejpoj"qf sn bof ouj"of hñjf ejgdj" f "pqf sf "ej"johf hof s"b"djvñrñ dpo"rñ"tdpq"ej"tvqqpsbsf "qspfhf ujt u"j"e"vuj"ej"ebupsj"of n"t"df rñ"ef rñbwp"bebup"qf s"phoj"ujqp"ej"jot ubn"ejpof /

CLASSIFICAZIONE DI REAZIONE AL FUOCO				LUOGHI	CAVI
Sf r vjtjup qsjodjqbrñ	Drñttjgdb"ejpof "bhjv"oujwb			Tipologie degli ambienti di installazione	Designazione CPR (Cavi da utilizzare)
Gvpdp )2*	Gvn p )3*	Hpdff )4*	Bdjejw )5*		
<b>B2ca</b>	<b>s1a</b>	<b>d1</b>	<b>a1</b>	BFSFP TUB[ KP OK'-'TUB[ KP OK'GFSSP WKBSK'-' TUB[ KP OK'NBSKUUKN F'-'N FUSP QP MKUBOF"KO UVUUP "P"KO"QBSUF"TP UUFSSBOFF"-' HBMFSK" TUSBE BM'E K'M/OHI F[ [ B TVQFSK SF"BK'611N"-'GFSSP WK"TVQFSK SK B"2111N/	GH"29P N27"2. "1-702"1 W GH"29P N29. "1-702"1 W

Cca	s1b	d1	a1	TUSVUUSF" TBOKUBSK" DI F" FSPHBOP QSFTUB[ KP OK' KO" SFHKNF" EK' SKDPWFSP PTQFEBMFSP" FOP" SFTKEFO[ KBMF" B" DKMP DPOUKOVBUKAP" FOP" EKVSOP" -" DBTF" EK SKQP TP" QFS" BO[ KBOK' DP O" P MUSF" 36" QP TUK MFUUP" -" TUSVUUSF" TBOKUBSK" DI F FSPHBOP" QSFTUB[ KP OK' EK' BTTKTUFO[ B TQFDKBMKTUKDB" KO" SFHKNF" BN CV MBUP SKBMF- KWK" DP N QSFTF" RVFMMF" SKBCKMUBUKAF-" EK EKBHOP TUKDB" TUSVNFOUBMF" F" EK MBCPSBUP SKP" -" MP DBM' EK' TQFUUBDP MP" F EK' KOUSBUUFOKNFOUP" KO" HFOFSF" KNQKBOUK F" DFOUSK' TQP SUKAK" QBMFTUSF-" TKB" EK DBSBUUSF" QVCCMDP" DI F" QSKMBUP" - BMCFSHI K' -" QFOTK OK' -" N P UFM' -" WKMBHHK BMCFSHP" -" SFTKEFO[ F UVSKTUKDP .BMCFSHI KFSF" -" TUVEFOUBUK' - WKMBHHK' UVSKTUKDK' -" BHSKUVSKTNK' - P TUFMM' QFS" MB' HKP WFOUO' -" SKG/ HK' BMQOK -" CFE" " CSFBLGBTU" -" EP SN KUP SK' -" DBTF QFS" GFSK" DP O" P MUSF" 36" QP TUK' MFUUP" - TUSVUUSF" UVSKTUKDP .SKDFUUKAF" BMBSKB BQFSUB" )DBN .QFHHK" WKMBHHK' UVSKTUKDK' FDD/*" DP O" DBQBDKUA" SKDFUUKAB" TVQFSK SF B" 511" QFSTP OF" -" TDVPM' E K' P HOK' P SE KOF- HSBEP" F" UKQP -" DP MMFHK" BDDBEFNK" DP O P MUSF" 211" QFSTP OF" QSFTFOUK' -" BTKM' OKEP DP O" P MUSF" 41" QFSTP OF" QSFTFOUK' -" MP DBM BEKCKUK' BE" FTQP TK' KP OF" FOP" WFOEKUB BMMKOHSP TTP" BM' EFUUBHMK' -" GFSF" F RVBSUKFSK' GFSKTUKDK' -" B[ KFOEF" FE" VGGDK DP O" P MUSF" 411" QFSTP OF" QSFTFOUK' - CKMP UFDI F" -" BSDI KWK' -" N VTFK' -" HBMFSK -" FTQP TK' KP OK' -" NP TUSF" -" FEKGDK EFTUKOBUK' BE" VTP" DKMMF' -" DP O" BMUF [ [ B BOUKODFOEK' TVQFSK SF" B" 35N/	GH27P N27". "1-702" I W
				GH28". "5610861" W I 18[ 2.0" Uzqf 3" 5610861 W	
Cca	s3	d1	a3	FEKGDK' EFTUKOBUK' BE" VTP" DKMMF' -" DP O BMUF [ [ B" BOUKODFOEK' KOGFSK SF" B" 35N' - TBMF" E" BUUFTB" -" CBS" -" SKTUP SBOUK' -" TUVEK NFEKDK	GH27P S27". "1-702" I W  GT28". "5610861" W
Eca	-	-	-	BMUSF" BUUKWUA;" KOTUBMMB[ KP OK' OPO QSFWKUF" OFHMK' FEKGDK' EK' DVK' TPQSB" F EPWF" OPO" FTKUF" SKTDI KP" EK' KODFOEK' F QFSKDP MP" QFS" QFSTP OF" FOP" DP TF/	I 16SO" "G" I 18SO". "G I 18WL < I 16WWG

**5.7.1.5 Comandi e prese a spina**

Epvsboop"jn qjf hbstj"bqqbsf ddi j"eb"jodbttp"n pevrbstj" f "dnp qpojcrj  
Hrj"jof ssvupsj"epvsboop"bwf sf "qpsub"27" B<tbsj" dpotf oujup" of hrj" f ejgdj" sf tjef oEbrj" rvt p" ej" jof ssvupsj  
dpo" qpsub" 21" B<rfn" qsf tf " epvsboop" f ttf sf " ej" tjdvf eeb" dpo" bmf prj" tdi f sn buj" f " dps" qbsf " ej" vob" tf sjf  
dnp qrfub" ej" bqqbsf ddi j" buj" b" sf brj" ebsf " vo" tjtuf n b" ej" tjdvf eeb" f " ej" tf swj" gb" dvj" jn qjbou" ej" tf hobr" e  
jn qjbou" ej" ejt usjcv" e j pof " tpopsb" of hrj" bn c jf ouj" f dd/  
Mb" tf sjf " epvsj" dpotf ouj" f " j" ot ubr" e j pof " ej" brn f op" 4" bqqbsf ddi j" of rnb" tdbupr" sf ubohpr" sf < gop" b" 4  
bqqbsf ddi j" ej" jof ssv" e j pof " f " 3" dnp c job" e j pof " jo" dtp" ej" qsf tf oeb" ej" qsf tb" b" t qjob" of rnb" tdbupr" spuoeb/  
K' dnp boej" f " rfn" qsf tf " epvsboop" qpuf s' f ttf sf " jot ubr" u j " tv" tdbupr" eb" qbsf uf " dpo" hsbep" ej" qspuf e j pof " KQ51  
f Qp" KQ66/

**Comandi in costruzioni a destinazione sociale**

Of rfn" dpt usv" e j pof " b" dbsuf sf " dprn" u j v p. tpdjbrn" bwf ouj" jof sf ttf " bn n jojt usbujv" -" dvrn" sbrn" -" hjve j e j b s j p  
f dpopn jdp" f " dnp vor vf " jo" f ejgdj" jo" dvj" tjb" qsf vjt up" rnb" t vprn" jn f oup" ej" bujv" u j " dnp vojbsj" -" rfn" bqqbsf ddi jbwf  
ej" dnp boep" epvsboop" f ttf sf " jot ubr" u j " be" vo" (brn" eeb" n bttjn b" ej" 1-: 1" n " ebrn" qbvjn f oup/  
Ubrj" bqqbsf ddi jbwf " epvsboop" -" joprus" -" f ttf sf " gbdjm f ouf " joejv" e vbcj" rj" f " vjtjcj" rj" bodi f " jo" dpoej" e j pof " ej  
t dbst b" vjtjcj" rj" u j " f e" f ttf sf " qspuf u j " ebrn" e boof hjbn f oup" qf s' vsup" ) EQS" 61402: : 7\*/  
M" qsf tf " ej" dpssf ouf " di f " brjm f oubop" vujr" e e j pof " f rnuj" s j d j " dpo" gpus" f btt pscjn f oup" ) rnbw" busjdf -" rnbw" t p v j h r j f -

dv djob" f dd/\*" epwsboop" bwf sf "vo" aspqsip" ejt qptjvvp" ej" aspu f epof "ej" t pwsb ddpssf ouf -" jof ssvupsf "cjqrbsf "dpo g/tjcjrfr" tvnrb" dgtf "p" jof ssvupsf "n bhof upf sn jdp/ Ef up" ejt qptjvvp" qpus" f ttf sf "jot ubnrb" of rtdpouf ojpsf "ej" bqqsbn f oup" p" jo" vob" opsn brfr" tdbuprb" of rfrn jn n f ejbvf "vj djobof" ef rtdpouf ddi jp" vjvvp" f /

### 5.7.1.6 Quadri elettrici

#### Quadri elettrici da appartamento o similari

Brtgofsf ttp" ej" phoj" bqqsbn f oup" epwsboop" j" ot ubnrb" stj" vo" r vbesp" f rhusjdp" dpo qpt up" eb" vob" tdbuprb" eb" jodbt p jo" n buf sjbrfr" jt prbouf -" vo" tvqqpsup" dpo" aspgrbu" opsn brfr" EKO" qf s" rrtgtt bhjhp" b" tdbup" ef hjrlbqqbsf ddi j" eb jot ubnrb" f e" vo" dpqf sdi jp" dpo" p" tf oeb" qpsuf rrtg/

M" tdbuprb" ej" ef uij" dpouf ojpsj" epwsboop" bwf sf "aspgoejw" opo" tvqf sjpsf "b" 71076" n n "f" rashi f eeb" brfr" eb dpotf oufsf "jrtgtt bhjhp" ej" dpoevupsj" rtauf sbm f ouf -" qf s" rrtg f ouf epof "b" n pouf "ef hjrlbvupn bujdj" ejvjt jposj/

K" dpqf sdi j" epwsboop" bwf sf "gtt bhjhp" b" tdbup" -" n f ouf "r" v rrtg" dpo" qpsuf rrtg" epwsboop" bwf sf "jrtgtt bhjhp" b" vjvf qf s" vob" n jhrjpsf " uf ovub/" Ko" f oubn cj" j" dbtj" hjrl bqqsbn f oup" opo" epwsboop" tqpsf sf "ebrtdpqf sdi jp" f e" jm dpo qrtt" dpqf sdi jp" qpsuf rrtg" opo" epwsboop" tqpsf sf "ebrtdpqf" n vsp" qjò" ej" 21" n n /" K" r vbesj" jo" n buf sjbrfr" qrtt jdp epwsboop" bwf sf "rtgqpsw" epof "KLR" qf s" r vobup" sjhvseb" rta" sf tjt uf oeb" brtdbrpsf -" f" brtdbrpsf "bopsn brfr" f "bm g/pdp/

K" r vbesj" f rhusjdp" e(bqqqsbn f oup" epwsboop" f ttf sf "bebu" j" brtjot ubnrb" epof "ef rrtg" bqqsbn f oup" jbwf "qsf tdsjuf - ef tdsjuf "brtqbsbsbg" Interruttori scatolati

#### Istruzioni per l'utente

K" r vbesj" f rhusjdp" epwsboop" f ttf sf "qsf g sjcjm f ouf "epubj" ej" jt usv" epoj" tf n qrtgtj" f "gdjrm f ouf "bddf ttjcjrfr" buf "b ebsf "brt" uf ouf "jogsn b" epoj" tvqjdf ouj" qf s" jrt dpo boep" f "rtg" ef uijgdb" epof "ef rrtg" bqqsbn f oup" jbwf "È" pqqpsw op jot ubnrb" f "brt" ouf sop" ef j" r vbesj" f rhusjdp" vo" ejt qptjvvp" f rhusjdp" bup" be" joejvjevbsf " rrtg" dbvtf "ej" hvbt up f rhusjdp/" Rvbrpsb" brfr" ejt qptjvvp" bccjb" vob" rrtg qbeb" ej" f n f shf oeb" jodpsqpsub- qpus" pn f uf stj rrtgmn job" epof "ej" f n f shf oeb" qsf vjt ub" brtgvoup" tvddf ttjvvp/

#### illuminazione di emergenza dei quadri di comando

Brtgof "ej" dpotf oufsf "brt" uf ouf "ej" n bopwsbsf "dpo" tjdvsf eeb" rrtg" bqqsbn f oup" jbwf "jot ubnrb" of j" r vbesj" f rhusjdp bodi f "jo" tjuv" b" epoj" ej" qf sjdpr- "jo" phoj" r vbesp" epwsboop" f ttf sf "jot ubnrb" vob" p" qjò" rrtg qbef "ej" f n f shf oeb gttf "p" f tusbjcrjrtj sdbjdbjrtj dpo" vo" (bvupopn jb" n jojn b" ej" 3" psf /

#### Quadri di comando in lamiera

I quadri di comando dovranno essere composti da cassette complete di profilati normalizzati DIN per il fissaggio a scatto delle apparecchiature elettriche.

Ef uij" aspgrbu" epwsboop" f ttf sf "sjbr" ebu" ebnta" cbt f "qf s" dpotf oufsf "jrtgtt bhjhp" ef j" dpoevupsj" ej" dbrt bhjhp/ Hjrlbqqbsf ddi j" jot ubnrb" epwsboop" f ttf sf "qpsuf uij" eb" qboof rrtg" ej" di jvtvsb" qsf vj ouvbn f ouf "rtwpsbu" qf s" dps tqpsf sf "rtgshbop" ej" n bopwsb" ef rrtg" bqqsbn f oup" jbwf "f" epwsboop" f ttf sf "dpo qrtt" ej" qpsub" dbrsuf rrtg" joejdbupsj ef rrtg" go" epof " tvnrb" ebhjrl bqqsbn f oup" j" Of j" r vbesj" epwsboop" f ttf sf "qpttjcjrfr" rrtg jot ubnrb" epof " ej" jof ssvupsj bvupn bujdj" f "ejg" sf oeb" rrtg" eb" 2" b" 361" B/

Ef uij" r vbesj" epwsboop" f ttf sf "dpoqsn j" brnta" opsn b" DFK" FO" 7254: .2" f " dpt usvj" jo" n pep" eb" ebsf " rta qpttjcjrfr" ej" f ttf sf "jot ubnrb" eb" qbsf uf "p" eb" jodbt p- "tf oeb" tqpsuf rrtg" dpo" tqpsuf rrtg" usbt qbsf ouf "p" jo" rrtg jf sb- dpo" tf ssvupsb" b" di jbwf "b" tf dpoeb" ef rrtg" joejdb" epof "ef rrtg" Ejsf epof "ef j" Mwpsj" di f "qpus" f ttf s" eub" bodi f "jo dgtf "ej" jot ubnrb" epof /

I quadri di comando di grandi dimensioni e gli armadi di distribuzione dovranno essere del tipo ad elementi componibili che consentano di realizzare armadi di larghezza minima 800 mm e profondità fino a 600 mm.

Ko" qbsjdpbsf " epwsboop" qf sn f uf sf " rta" dpo qpojcjrfr" j" psj" eepoubrfr" qf s" sf brt" ebsf " bsn bej" b" qjò" tf epoj- hbsbouf oep" vob" qf sf ub" dpo vojdbjrtj" usb" rrtg" vbsj" tf epoj" tf oeb" jrtubhjhp" ej" qbsf uij" rtauf sbjrl

Hjrlbqqbsf ddi j" jot ubnrb" epwsboop" f ttf sf "qpsuf uij" eb" qboof rrtg" ej" di jvtvsb" qsf vj ouvbn f ouf "rtwpsbu" qf s" dps tqpsf sf "rtgshbop" ej" n bopwsb" ef rrtg" bqqsbn f oup" jbwf "f" epwsboop" f ttf sf "dpo qrtt" ej" qpsub" dbrsuf rrtg" joejdbupsj ef rrtg" go" epof " tvnrb" ebhjrl bqqsbn f oup" j/

Tvhjrlbsn bej" epwsboop" f ttf sf "qpttjcjrfr" n poubsf "qpsuf "usbt qbsf ouj" p" djf di f "dpo" tf ssvupsb" b" di jbwf "gop" b" 2-: 6 n "ej" brt" eeb" bodi f "epqp" di f " rrtg" bsn bej" tjb" tubup" jot ubnrb" /" Tjb" rta" t usvupsb" di f " rrtg" qpsuf " epwsboop" f ttf sf sf brt" eeb" jo" n pep" eb" qf sn f uf sf "jrtg" poubhjhp" ef rrtg" qpsuf "t" uf ttf "dpo" rta" qf ssvupsb" ef tusb" p" tjojtusb/

#### Quadri di comando isolanti

Of hjrl bn cjf ouj" jo" dvj" rta" Tub" epof " Bqqbrt" ouf " rta" sjuf ohb" pqqpsw op- brtqpt up" ef j" r vbesj" jo" rrtg jf sb" tj

epwsboop"jot ubnhsf "r vbesj"jo"n buf sjbrfr"jt prbouf /

Ko"r vftup" dbtp" epwsboop" bwf sf "vob" sf tjtu of oEb" bmn" qspwb" ef rhjrp" jodboeft df ouf "ej": 71"hsbej" D")DFK 61.22\*/

K'r vbesj"epwsboop"fttf sf "dnp qptuj"eb"dbttf uf "jt prboij" dpo"qjbtusb"qpsubqbddi j"ftusbjcrfn"qf s'dpotf oujsf "jm dbrhbhj"ef hrj"bqqbsf ddi j"jo"pgdjjob/"Epwsboop"fttf sf "ejtqpojcrfn" dpo"hsbep"ej"qspuf Eypof "KQ51"f "KQ66"jo r vftup"dbtp"jrtqpsf n"epwsb"bwf sf "bqf svsb"b"291"hsbej/

Rvftuj"r vbesj" epwsboop" dpotf oujsf "vojot ubnhsf"ef rhjqp" b" epqajp" jt prbn f oup" dpo" gsj" ej" gttbhhjp fttf soj"bmn"dbttf ub"fe"fttf sf "dpogsn j"bmn"opn b"DFK"FO"7254: .2/

### 5.7.1.7 Interruttori magnetotermici e differenziali

Hrj"jof ssvupsj"n bhof upuf sn jdj" f "hrj"jof ssvupsj"ejgf sf oEbrj"ldpo"ftf oEb"qspuf Eypof "n bhof upuf sn jdb" dpo dpssf ouf "opn jobrfr"eb"211"B"jo"tv"epwsboop"bqqbsuf of sf "bmn"tuf ttb"tf sjf /

P oef "bhf wprbsf " rfr"jot ubnhsf"epoj"tvj"r vbesj" f "r"jof sdbn cjbcrfn"à" qsf g' sjcrfn"di f "hrj"bqqbsf ddi j"eb"211"b 361"B"bccjbop"rfr"tuf ttf "ejn f otjpoj"ejohpn csp/

Hrj"jof ssvupsj" dpo" qspuf Eypof " n bhof upuf sn jdb" ej" r vftup" uqap" epwsboop" fttf sf "tf rhuwj" sjtqf up" bhrj bvpun bujdj" gop"b"91"B"bm f op"qf s'dpssf ouj"ej"d/d" gop"b"4/111"B/

Kthqpsf "ej" jof ssvEypof "epwsb"fttf sf "ebup" of rna" dbuf hpsjb" ej" qf tubEypof "Q")DFK"FO"71: 58.3\* poef hbsoujsf "vo"cvpo"gyoEypobn f oup" bodi f "epq"4" dpsup" djsdvju" dpo" dpssf ouf "qbsj"brtqpsf "ej"jof ssvEypof / Hrj"jof ssvupsj"ejgf sf oEbrj"eb"211"b"361"B"eb"jn qjf hbsf "epwsboop"fttf sf "ejtqpojcrfn"of rna"vftup" opsn brfr" of rna"vftup" dpo"jof svf oup" sjubseup"qf s'dpotf oujsf "r"tuf rhuwj" dpo"brsj"jof ssvupsj"ejgf sf oEbrj"jot ubnhsf"b vbrfr/

### Interruttori modulari

M "bqqbsf ddi jbwf "jot ubnhsf "of j"r vbesj"ej" dnp boep" f "of hrj"bsn bej"epwsboop"fttf sf "ef rhjqp"n pevrbsf "f dnp qpojcrfn" dpo" gttbhhjp"b"tdbup"tvrtqspgrup" opsn brjEup"EKO-"be" f df Eypof "ef hrj"jof ssvupsj"bvun bujdj eb"211"B"jo"tv"di f "tj"gttfsboop" bodi f "dpo"n f Eje"ejvftj/

Ko"qbsjdprbsf ;

b\*"hrj"jof ssvupsj"bvun bujdj"n bhof upuf sn jdj"eb"2"b"211"B"epwsboop"fttf sf "n pevrbsj" f "dnp qpojcrfn"ldpo qpsf "ej"jof ssvEypof "gop"b"7/111"B"tbrmp"dbtj"qbsjdprbsj<

c\*"wuf " rfr" bqqbsf ddi jbwf " of dfttbsj" qf s" sf oef sf " f ggdf ouf " f " gyoeypobrfr" rfrn qjbop" )be" ftf n qjp usbtgpn bpsj-"tvpo sf "qpsubg'tjcrfn" rbn qbef "ej"tf hbrbEypof-"jof ssvupsj"qspshbn n bpsj-"qf tf "ej dpssf ouf " DFF" f d/)\*" epwsboop"fttf sf "n pevrbsj" f "bddpqajbu" of rna"tuf ttp"r vbesp" dpo"hrj"jof ssvupsj bvun bujdj"ej"dvj"brtqvoup"b\*<

d\*"hrj"jof ssvupsj" dpo"sf rna"ejgf sf oEbrj"ldpo"b"74"B"epwsboop"fttf sf "n pevrbsj" f "bqqbsf of sf "bmn"tuf ttb tf sjf "ej"dvj"bj"qvouj"b\*"f "c\*"Epwsboop"fttf sf "ef rhjqp"be"bEypof "ejf ub" f "dpogsn j"brfr"opn f "DFK FO"72119.2" f "DFK"FO"7211: .2<

e\*"hrj"jof ssvupsj" n bhof upuf sn jdj" ejgf sf oEbrj" uf usbpbrbsj" dpo" 4" qprj" qspuf uij" gop"b" 74" B" epwsboop fttf sf "n pevrbsj" f e"fttf sf "epubj"ej"vo" ejtqptjuvp" di f " dpotf ouf" rna" vjtvrbrEypof "ef rna"vftup" vop jof svf oup" f " qf sn f ub" ej" ejtjohvf sf " tf" ef up" jof svf oup" tjb" qspvdpup" ebmn" qspuf Eypof n bhof upuf sn jdb" p" ebmn" qspuf Eypof "ejgf sf oEbrfr" E"bn n f ttp" rfrn qjf hp"ej"jof ssvupsj" ejgf sf oEbrjn qvsj" qvsi è" bccjbop" vo" qpsf "ej" jof ssvEypof " dpo" ejtqptjuvp" bttdjup" ej" brn f op" 5/611" B" f dpogsn j"brfr"opn f "DFK"FO"72119.2" f "DFK"FO"7211: .2<

f\*"jrh qpsf " ej" jof ssvEypof " ef hrj" jof ssvupsj" bvun bujdj" epwsb" fttf sf " hbsoujup" tjb" jo" dbtp" ej brjm f ouEypof " ebj" n pstf uij" tvqf sjpsj" )brjm f ouEypof " ebmn"vbrfr" tjb" jo" dbtp" ej" brjm f ouEypof " ebj n pstf uij"jof sjpsj")brjm f ouEypof "ebrtcbttp\*/

### Interruttori automatici modulari con alto potere di interruzione

Of hrj"jn qjbu" f rhujsdj"di f "qf tf oujop"d/d/"f rhuwuf ")gop"b"41" B\*"hrj"jof ssvupsj"bvun bujdj"n bhof upuf sn jdj gop"b"74"B"epwsboop"fttf sf "n pevrbsj" f "dnp qpojcrfn"ldpo"qpsf "ej"jof ssvEypof "ej"41" B"b"491"W"jo"dratf "Q3/

Kotubnhsf"b"n pouf "ej" jof ssvupsj" dpo" qpsf "ej" jof ssvEypof "jof sjpsf "-" epwsboop" hbsoujsf "vo" qpsf "ej jof ssvEypof "ef rna" dnp cjobEypof "ej" 41" B" b" 491" W" Kotubnhsf"b" vbrfr" ej" jof ssvupsj" dpo" dpssf ouf " opn jobrfr tvqf sjpsf "-" epwsboop" hbsoujsf "r"tuf rhuwj" qf s'j" d/d/"brn f op" gop"b"21" B/

### 5.7.1.8 Prove dei materiali

M" TubEypof " Bqqbrtbouf " joejdi f sù" qsf vfuoujvbn f ouf " f wfuwbrj" qspwf "-" eb" ftf hvstj" jo" gcccjdb" p" qf ttp rncpsbupsj"tqf djbrEypof"eb"qf djbstj-"tvj"n buf sjbrj"eb"jn qjf hbstj"of hrj"jn qjbu"phhf up"ef rna"bqqbrmp/

M "tqf tf "jof sf ouj" b"ubrtqspwf "opo" dsooop" dbsjdp"brna" TubEypof " Bqqbrtbouf "-" rna" r vbrfr"tj"bttnv f sù" rfr"tprn tqf tf "qf s'gsf " f wfuwbrn f ouf "btjtjtf sf "brfr"qspwf "qspqsj"jodbsjdbu/

Opo"tbsboop"jo"hf of sf "sjdi jf tuf "qspwf "qf s"j"n buf sjbrj"dpousbt tf hoby"dpr"iN bsdj jp"Klbrj"bop"ej"R vbrj"j")KNR\*/

**Art. 5.7.2  
ESECUZIONE DEI LAVORI**

Uvuuj"j"rwpsj"ef wpop"fttf sf "f tf hvju"tf dpoep"rn"n jhrjpsj"sf hprn"e(bsuf "f "rn"qsf tdsjpoj"ef rnb"Ejsf Ejpof "ef j Mwpsj" jo" n pep" di f "hrj"jn qjboj" sjt qpoebop" qf sf wbn f ouf " b" wuf " rn" dpoejpoj" tbcjruj" ef brhDbqjuprtaup Tqf djbrn"e(Bqqbrnp" f "ebr"tqshf up/

Mf tf dvEjpoj"ef j"rwpsj"epwsl"fttf sf "dppsejobub"tf dpoep"rn"qsf tdsjpoj"ef rnb"Ejsf Ejpof "ef j" Mwpsj"p" dpo"rn f tjhf oE" di f "qpttpop" tpsf sf " ebrnb" dpouf n qpsbof b" f tf dvEjpoj" ej" wuf " rn" bruf " pqf sf " bggebuf " be" bruf jn qsf tf /

Mkn qsf tb"bhjhvejdbubsj"tbsl"sjuf ovub"qjf obn f ouf "sf tqpotbcjrn"ef hrj"wf owbrj"lebooj"bsf dbj-"qf s" doup qspqsj" f "ef j"qspqsj"ejqf oef ouj"brn"pqf sf "ef rnf"ejgdj" f "b"uf sEj/

Tbrnp" qsf wf ouj" f "qsf tdsjpoj"ef rnb" Tbejpoj" Bqqbrnbouf "-"r(Bqqbrnbupsf "i b"gdpru" ej"twprnf sf "rnf"tf dvEjpoj ef j"rwpsj"of rn pep"di f "sjf ssU"qj"pqqpswop"qf s"ebstj"lgoj"of rnf sn jof "dpousbuwbrn/

Mb"Ejsf Ejpof "ef j" Mwpsj"qpus"qf s" "qsf tdsj"sf "vo"ejw"stp"psejof "of rnf"tf dvEjpoj"ef j"rwpsj-"tbrnb"rn"gdpru" ef rnf" qsf tb"bhjhvejdbubsj"ej"ds"qsf tf ouj"rn"qspqsj"pttf swbEjpoj" f "sjt pstf"of j"n pej"qsf tdsj"j/

**5.7.2.1 Requisiti di rispondenza a norme, leggi e regolamenti**

Hrj"jn qjboj" epwsoop"fttf sf "sf brj"poj" b" sf hprn" e(bsuf "dn f " qsf tdsjup" ebrnb"u" 7-" dpn n b"2" ef rHE/N/ 3301203119-"o/"48" f "t/n /j/"f "tf dpoep"r vbou"qsf vjt up"ebr"rE/Mt/"o/"9203119" f "t/n /j/"Tbsboop"dpotjef sbj"b sf hprn"e(bsuf "hrj"jn qjboj"sf brj"poj"jo" dpogsn jU"brn"vjhf ouf "opn bujwb" f "brn"opn f "ef rnf"OK"ef rDFK"p"ej bruf" Fou"ej"opn brj"poj"ef "bqqbsuf of ouj"bhj"tubj"n f n csj"ef rnf"vojpoj" f vspqf b"p"di f "t"pop"qbsj"dpousb"ouj ef rnf"ddpsep"tvmp"tqbej" f dpopn jdp" f vspqf p/

M "dbsuf sjt udi f "ef hrj"jn qjboj"tu"ttj-"opodi è"ef j"rnp"dpn qfouj-"epwsoop"dpssjtqpoef sf "brn"opn f "ej rnhhf" f "ej"sf hprn f oup"vjhf ouj" e"jo"qbsj"druf" f ttf sf "dpogsn j;

- brn"qsf tdsjpoj"ej"Bvupsj"U"Mdbrj"dpn qsf tf "r vf rnf"ef j"WWG/<
- brn"qsf tdsjpoj" f "joej"bej"poj"ef rnf"oeb"Ejt usjcvusjdf "ef rnf"of shj"b" f rnuj"db<
- brn"qsf tdsjpoj" f "joej"bej"poj"ef rnf"oeb"Gpsojusjdf "ef rnf"fwj"ep"Uf rnf"pojdp<
- brn"Opsn f "DFK")Dpn jubup"Frnu"spuf dojdp"Kbrj"bop\*<
- br"sf hprn f oup"DQS"VF"o/"41603122/

Tj"sjqpsubop"b"ujup"n f sbn f ouf "f tf n qj"j"dbujwp"rn"tf hvf ouj"opn f ;

- DFK"22.28/"Kn qjboj"ej"qspevEjpoj"-"usbtqpsup" f "ejt usjcvEjpoj" ej" f of shj"b" f rnuj"db/"Mof f "jo"dbwp<
- DFK"75.9/"Kn qjboj" f rnuj"dj"vjrj"bej"b"u" otjpoj" opn jobrnf"opo"tvqf sjpsf "b"2111W"jo"dpssf ouf bruf sobub"b"2611W"jo"dpssf ouf "dpoujovb<
- DFK"75.3/"Kn qjboj" f rnuj"dj"of j"mphi" j" dpo"qf sjdpr"ej" f tqrtjpoj" p"ej"jodf oejp<
- DFK"75.23/"Kn qjboj"ej"u" ssb"of hrj" f ejgdj"djvjrl. "Sbddpn boebEjpoj"qf s"rnf"tf dvEjpoj <
- DFK": .6/"Kn qjboj"ej"qspevEjpoj"-"usbt n jttjpoj" f "ejt usjcvEjpoj" ej" f of shj"b" f rnuj"db/"Kn qjboj"ej"u" ssb<
- DFK"214.2/"Kn qjboj"u" rnf"pojdj"jouf soj<
- DFK"75.61/"Fejrj"be"vtp"sf tje"ofEjbrn" f "u" sEjbsj/"Hvjeb"qf s"rnf"ouf hsbEjpoj"ef hrj"jn qjboj" f rnuj"dj vjrj"bej"b" f "qf s"rn"qsf ejtqptjEjpoj"ef rnf"jogsb"usw"sf "qf s"hrj"jn qjboj"ej"dpn vojdbEjpoj" f "jn qjboj f rnuj"poj"of hrj" f ejgdj/

**5.7.2.2 Prescrizioni riguardanti i circuiti elettrici**

**Cavi e conduttori**

b\*jt prn f oup"ef j"dbvj

j"dbvj"vjrj"bej"b"of j"tjt"u" n j"ej"qsjn b"dbuf hpsj"epwsoop"fttf sf "bebu"j"b"u" otjpoj" opn jobrnf"wf stp"u" ssb" f u" otjpoj" opn jobrnf"VpO" \*opo"jog sjpsj" b"5610861W"tjn cprp"ej"ef tjhobEjpoj" 18/"Rvf rnf"vjrj"bej"b"of j djsdvj"ej"tf hobr"bej"poj" f "dpn boep"epwsoop"fttf sf "bebu"j"b"u" otjpoj"opn jobrnf"opo"jog sjpsj"b"4110611W tjn cprp"ej"ef tjhobEjpoj" 16/"Rvf tu"vrgj"j-"tf "qptbu"j"of rnf"tu"ttt" wcp-"dpoeup"p"dbobrnf" dpo"dbvj qsf vjt u" dpo"u" otjpoj"opn jobrnf"tvqf sjpsj-"epwsoop"fttf sf "bebu"j"b"u" otjpoj" opn jobrnf"n bhjpsf <

c\*dpnsj"ejt ujuvj"ef j"dbvj

j"dpoevupsj"jn qj" hbu"j"of rnf"tf dvEjpoj"ef hrj"jn qjboj"epwsoop"fttf sf "dpousbeejt ujuj" ebrn" dpnsbEjpoj qsf vjt u" ebrn"vjhf ouj"bcf rnf"ej"vojdbEjpoj" DFK"VOFM"11823-"11833-"11835-"11837-"11838" f "DFK"FO 61445/" Ko" qbsj"druf" j" dpoevupsj" ej" of vusp" f "qspuf Ejpoj" epwsoop"fttf sf "dpousbeejt ujuj sjt qf ujb"n f ouf "f e" f tdm"tjwb"n f ouf "dpo"j"rdrpsf "cm"di jbsp" f "dpo"j"rhcjdrpsf "hjbmp. wf sef /"Qf s"r vbou

sjhvbseb"j" dpoevupsj" ej" gdtf -" hrf" ttf ttj" epwsboop" f ttf sf " dpousbeejt uouj" jo" n pep" vojwvdp" qf s" wup  
 rjn qjbou" e" j" dprpsj; " of sp -" hshjp" )df of sf \*f " n bsspf <  
 d\*tf Ejpof" n jojn f " f" dbevuf " ej" uf otjpf " bn n f ttf  
 rñ" tf Ejpof" ef j" dpoevupsj" dbrdp ruf " jo" gvoEjpf " ef rñ" qpu ofEb" jn qf hobub" f " ef rñ" mohi f Eeb" ef j" djsdvj  
 )bgodi è" rñ" dbevuf " ej" uf otjpf " opo" tvqf sj" jrhvbrpsf " ef rñ" 5& " ef rñ" uf otjpf " b" wvup\* " epwsboop" f ttf sf  
 tdf rñ" usb" r vf rñ" vojgdbuf / " ko" phoj" dbtp" opo" epwsboop" f ttf sf " tvqf sbuj" j" vbrpsj" ef rñ" qpsubf " ej" dssf ouf  
 bn n f ttf -" qf s" j" ejv stj" uqj" ej" dpoevupsj- " ebrñ" ucbf rñ" ej" vojgdbEjpf " [DFK' VOFM 4613502](#) i " 3/  
 Koejqf oef ouf n f ouf " e" j" vbrpsj" sdbwbuj" dpo" rñ" qsf df ef ouj" joejdbEjpoj- " rñ" tf Ejpof" n jojn f " bn n f ttf " tpop;  
 • 1-86" n n 3" qf s" djsdvj" ej" tf hobrEjpf " f " uf rñdpn boep<  
 • 2-6" n n 3" qf s" jmn jobEjpf " ej" cdtf -" ef sjwEjpf " qf s" qsf tf " b" tqjob" qf s" bruj" bqqsbf ddi j" ej  
 jmn jobEjpf " f " qf s" bqqsbf ddi j" dpo" qpu ofEb" vojubsj" jof sjpsf " p" vhvbrñ" b" 3-3" I X <  
 • 3-6" n n 3" qf s" ef sjwEjpf " dpo" p" tf ofEb" qsf tf " b" tqjob" qf s" vujEjupsj" dpo" qpu ofEb" vojubsj" tvqf sjpsf  
 b" 3-3" I X " f " jof sjpsf " p" vhvbrñ" b" 4" I X <  
 • 5" n n 3" qf s" n pouboj" t johprj" f " jof f " brjn f ouboj" t johprj" bqqsbf ddi j" vujEjupsj" dpo" qpu ofEb  
 opn jobrñ" tvqf sjpsf " b" 4" I X <  
 e\*tf Ejpof " n jojn b" ef j" dpoevupsj" of vusj  
 rñ" tf Ejpof " ef rñ" dpoevupsf " ej" of vusj" opo" epwsj" f ttf sf " jof sjpsf " b" r vf rñ" ef j" dssj" qpoef ouj" dpoevupsj" ej  
 gdtf / " ko" djsdvj" qprjdtj" dpo" dpoevupsj" ej" gdtf " bwf ouj" tf Ejpof " tvqf sjpsf " b" 27" n n 3" tf " jo" sbn f " pe" b" 36  
 n n 3" tf " jo" bmn jojp- " rñ" tf Ejpof " ef rñ" dpoevupsf " ej" of vusj" qpusj" f ttf sf " jof sjpsf " b" r vf rñ" ef j" dpoevupsj  
 ej" gdtf -" dprñ jojn p" wubwb" ej" 27" n n 3" ) qf s" dpoevupsj" jo" sbn f \* " qvsci è" tjop" t peejt gduf " rñ" dpoejEjpoj  
 ef rñ" usj" / 635/4" ef rñ" opsn b" [DFK' 75.906/](#)  
 f \*tf Ejpof " ef j" dpoevupsj" ej" uf ssp" f " qspuf Ejpof  
 rñ" tf Ejpof " ef j" dpoevupsj" ej" qspuf Ejpof -" djpa" ef j" dpoevupsj" di f " dprñ hhop" brñ" qjbou" ej" uf ssp" rñ" qbsj  
 eb" qspuf hhf sf " dpousp" j" dpoubuj" joejsf u- " tf " dpt ujuj" ebrñ" tuf ttp" n buf sjbrñ" ef j" dpoevupsj" ej" gdtf -" opo  
 epwsj" f ttf sf " jof sjpsf " b" r vf rñ" joejdbub" of rñ" ucbf rñ" tf hvf ouf -" usub" ebrñ" usj" / 654/2/3" ef rñ" opsn b" [DFK  
 75.906/](#)

TF[ KP OF " N KOKN B" E FMDP OE VUUP SF " E K' QSP UF [ KP OF

Sezione del conduttore di fase dell'impianto S (mm <sup>2</sup> )	Sezione minima del conduttore di protezione Sp (mm <sup>2</sup> )
T" ≤ 27	Tq" > T
27" = T" ≤ 46	Tq" > 27
T" A 46	Tq" > T03

Ko" brñ" sobujwb" bj" dsjuf sj" t pqsbf " joejdbuj" tbsj" dpotf oujup" jrhvbrpsf " ef rñ" tf Ejpof " n jojn b" ef rñ" dpoevupsf " ej  
 qspuf Ejpof " n f e" j" bolu" jrhv f upep" bobrñjdp" joejdbup" of rñ" usj" / 654/2/2" ef rñ" opsn b" [DFK' 75.906/](#)

**Sezione minima del conduttore di terra**

Mb" tf Ejpof " ef rñ" dpoevupsf " ej" uf ssp" epwsj" f ttf sf " opo" jof sjpsf " b" r vf rñ" ef rñ" dpoevupsf " ej" qspuf Ejpof " ) jo  
 bddpsep" brñ" usj" / 654/2" DFK' 75.906\* " dpo" j" n jojn j" ej" tf hvjup" joejdbuj" usbu" ebrñ" usj" / 653/4/2" ef rñ" opsn b" DFK  
 75.906;

Tf Ejpof " n jojn b" ) n 3\*

- qspuf up" dpousp" rñ" dssptjpf " n b" opo" n f ddbojdbn f ouf 27" ) DV \* 27" ) GF\*
- opo" qspuf up" dpousp" rñ" dssptjpf 36" ) DV \* 61" ) GF\*

**5.7.2.3 Direzione dei lavori**

Mb" Ejsf Ejpof " ef j" Mvpsj" qf s" rñ" qsbujdb" sf brñEjpf " ef rñ" qjbou- " pruf " brñdpsejobn f oup" ej" wuf " rñ  
 pqf sbEjpoj" of dfttsj" bñ" sf brñEjpf " ef rñ" tuf ttp- " ef wf " qsf tbsf " qbsjdp rñ" " buf oEjpf " brñ" wf sjgdb" ef rñ  
 dñ qrfuf Eeb" ej" wub" rñ" epdvn f oubEjpf -" bj" uf n qj" ef rñ" tvb" sf brñEjpf " f e" b" f wf owbrñj" jof sf ofE " dpo" brñ  
 rñvpsj/

Vf sjgd f sU" joprusf " di f " j" n buf sjbrñj" qj hbu" f " rñ" rñsp" n f ttf " jo" pqf sb" tjop" dpogpsn j" b" r vbou" t ubcjrñ" ebn  
 qshf up/

Brñ" sn jof " ef j" rñvpsj" t j" dsU" sjrt djsf " rñ" bqqsup" ej" wf sjgdb" ef rñ" qjbou" f rñ" usjdp- " dñ f " qsf djt up" of rñ" [DFK  
 75.61](#)- " di f " buf tuf sU" di f " rñ" tuf ttp" à" t ubup" f tf hvjup" b" sf hprñ" e (bsf / " Sbddphrñ sU" joprusf " rñ" epdvn f oubEjpf " qjò  
 tjhojgdbujwb" qf s" rñ" tvddf ttjwb" hf tujpf " f " n bovf oEjpf /

**5.7.2.4 Posa in opera delle canalizzazioni**

K' dpoevupsj- " b" n f op" di f " opo" tj" usbu" ej" jot ubuEjpoj" vrbou- " epwsboop" f ttf sf " tf n qsf " qspuf uj" f  
 tbrñhvbsebu" n f ddbojdbn f ouf /

Ef uf "qspuf ejpoj" qpusboop" f ttf sf ; "wcb ejpoj" dbobrnuf "qpsub" dbwj" qbtff sf rñ" dpoepuj" p" dvojdprj" sdbwbj of rñ" t usvwsb" f ejrñ" f dd" Of hrñjn qjbouj" joevt usjbrj" jñtjup" ej" jot ubrñ" ejpof "epws" f ttf sf "dpodpsebup" ej" wprñ" jo wprñ" dpo" rñ" Tbejpoj "Bqqbrñouf /" Of hrñjn qjbouj" jo" f ejgdj" djwjñ" f "tjn jñbs" tj" epwsboop" sjt qf uwsf "rñ" tf hvf ouj qsf tdsj ejpoj;

- of rñn qjbouj" qsf vjt up" qf s" rñ" s" bñe ejpof "t pup" usbddjb- "j" wcj" qspuf ujjw" epwsboop" f ttf sf "jo" n buf sjbrñ uf sn pqrñt ydp" tf sjf "rñh hf sb" qf s" j" qf sdpst" t pup" joupobdp- "jo" bddjbjp" tñ bñbup" b" cpsej" t bñbuj" pqqvsv" f" jo n buf sjbrñ" uf sn pqrñt ydp" tf sjf "qf t bouf" "qf s" hrñb usbwf st bn f ouj" b" qbwjn f oup <
- jñtejbñ f usp" jof sop" ef j" wcj" epws" f ttf sf "qbsj" be" bm f op" 2-4" wprñ "jñtejbñ f usp" ef rñd sdi jp" djsdpt dsjup bñt dt djp" ej" dbwj" jo" f ttp" dpouf ovuj" /" Ubrñ" dpf ggdj f ouf "ej" n bñhjps" ejpof "epws" f ttf sf "bvn f oubup" b" 2-6 r vboep" j" dbwj" tjbop" ef rñtjup" t pup" qjpn cp" p" t pup" hvbjob" n f ubrñ" b < jñtejbñ f usp" ef rñwcp" epws" f ttf sf tv ggdj f ouf n f ouf "hsboef" eb" qf sn f uf sf "ej" t gñbs" f "sf jogñbs" j" dbwj" jo" f ttp" dpouf ovuj" dpo" dñdjñu" f tf oeb" di f "of" sjt vñjop" eboof hhjbu" j" dbwj" t f ttj" p" j" wcj" /" Dpn vor vf "jñtejbñ f usp" jof sop" opo" epws" f ttf sf "jog" sjps" b" 21" n n <
- jñt usbddjbup" ef j" wcj" qspuf ujjw" epws" f ttf sf "vo" boebn f oup" sf ujjw" p" psj" eepoubrñ") dpo" n jojn b qf oef oeb" qf s" gñvpsj" f "rñ" t dñsdp" ej" f wf ouwbrñ" dpoef ot b" p" w" sñdjbrñ" /" M" dsvf "epwsboop" f ttf sf f gñ uwbv" dpo" sbddpsej" p" dpo" qjñ hbvsv" di f "opo" eboof hhjop" jñwcp" f "opo" qsf hjvejdj jop" rñ" t gñbcjñu" ef j" dbwj <
- be" phoj" csvt db" ef vjb ejpof "sf tb" of df ttbsjb" ebñ" t usvwsb" n vsbsjb" ef j" rñdbrñ" be" phoj" ef sjwb ejpof "eb rñof b" qsjodjbrñ" f "tf dpoesjb" f "jo" phoj" rñdbrñ" f svjup- "rñ" wcb ejpof "epws" f ttf sf "jof sspub" dpo dbttf uf "ej" ef sjwb ejpof <
- rñ" hjo ejpoj" ef j" dpoevupsj" epwsboop" f ttf sf "f" tf hvjuf "of rñ" dbttf uf "ej" ef sjwb ejpof "jn qjñ hboep pqqpsv" ouj" n pstf ujjw" p" n pstf ujjw" f /" Ef uf "dbttf uf "epwsboop" f ttf sf "dpt usvjuf" jo" n pep" di f "of rñ" dpoej ejpoj" ej" jot ubrñ" ejpof "opo" tjb" qpttjcjñ" jouspevsv" dñsqj" f t usbof j- "epws" f jopñsv" sjt vñbsf "bhv wprñ" rñ" ejt qf st jopof "ej" dbrñsv" jo" f ttf "qspesub" /" Kñt p qf sdi jp" ef rñ" dbttf uf "epws" f pggjsj" cvpof "hsboej" ej gñt bñhjup" f e" f ttf sf "bqsjc jñ" t pñp" dpo" busf eep <
- j" wcj" qspuf ujjw" ef j" n poubouj" ej" jñ qjbouj" vñj eep" s" brñ f obuj" busbwf st p" pshboj" ej" n jt vsb" df oubrñ eebuj f "rñ" s" rñwv" dbttf uf "ej" ef sjwb ejpof "epwsboop" f ttf sf "ejt ujjw" qf s" phoj" n poubouf /" Tbs" u" qpttjcjñ vñj eep" s" rñ" t f ttp" wcp" f "rñ" t f ttf "dbttf uf "qvsv" è" j" n poubouj" brñ f oujop" rñ" t f ttp" dñ qñt ttp" ej rñdbrñ" f "tjbop" dpousbttf hobuj" qf s" rñ" rñsp" joejwjev b ejpof -"bm f op" jo" dñssjt qpoef oeb" ef rñ" evf f t usf n jw <
- r vbrñsb" tj" qsf vñ eb" rñ" tjt uf oeb- "of rñ" t f ttp" rñdbrñ- "ej" dñsvj" bqqbsv" of ouj" b" tjt uf n j" f rñwsvdij" ejw st j- r vñt ujjw" epwsboop" f ttf sf "qspuf ujjw" eb" wcj" ejw st j" f "gñs" dbq" b" dbttf uf "tf qbsv" /" Uvubwj" b" tbs" u" qpttjcjñ dñpñdbsf "j" dbwj" of rñ" t f ttp" wcp" f "gñs" dbq" brñ" t f ttf "dbttf uf "qvsv" è" f ttj" tjbop" jt pñbuj" qf s" rñ" uf ot jopof "qj" f rñwsv" f "rñ" t jophrñ" dbttf uf "tjbop" jof sobn f ouf "n vojuf "ej" ejbgsbñ n j- "opo" bn pwj c jñt f opo" b" n f eep" ej" busf eep- "usb" j" n pstf ujjw" ef t ujjw" b" t f ssv" dpoevupsj" bqqbsv" of ouj" b" tjt uf n j" ejw st j/ Kñtovn f sp" ef j" dbwj" di f "qpusboop" jouspevst" j" of j" wcj" à" joejdbup" of rñ" lbcf rñ" t f hvf ouf ;

OVNFSP "NBTTKNP" "EK'DBWK" VOKP MBSK" EB" KOUSP EVSSF" KO" UVCK" QSP UFUUKWK  
 jñ" ovn f sñ" usb" qbsv" of tj" tpop" qf s" j" dbwj" ej" dñp boep" f "tf hobrñ" ejpof \*

ejbn /" f Oejbn /" j	Tf ejpof "ef j" dbwj". "n n ³								
n n	)1-6*	)1-86*	)2*	2-6	3-6	5	7	21	27
2309-6	)5*	)5*	)3*						
25021	)8*	)5*	)4*	3					
27022-8			)5*	5	3				
31026-6			)": *	8	5	5	3		
3602: -9			)23*	:	8	8	5	3	
43037-5					23	:	8	8	4



ejtqptuj" jo" n pep" eb" opo" fttf sf" tphhf uj" be" jogwfoef" ebooptf" jo" s rbejpop" b" tpwsbsjtdbrbn f ouj-  
thpddjprbn f ouj- gsn bjejpop" ej" dpoef otb" f dd/" Opo" qpusboop" jopras" dmpdbstj" of rfn" tuff sf" jodbttbwsf  
n pouboj" f dmpoof "uf rfgpojdi f "p"sbejpruf rfwjtjw /"Of rfwop"ef hrtjtdf otpsj"p"n poudbdsjdi j"opo"tbsj"dpotf ouj  
rb" n fttb" jo" pqf sb" ej" dpoevupsj" p" wcbjejpoj" ej" r vbrtjtj" hf of sf" di f" opo" baqbsf ohbop" brfn qjbop  
ef rtdf otpsf "p"ef rfn poudbdsjdi j"tuff ttp/

### Tubazioni per le costruzioni prefabbricate

K'wcj" qspuf uwyj" boof hbyj" of rtdbrdf t usvcep" epwsboop" sjtqpoef sf" brfn" qsf tdsjejpoj" ef rfn" opsn f " [DFK'FO 72497.33/](#)

Fttj" epwsboop" fttf sf" jotf sjj" of rfn" tdbuprnf" qsf g sjcjm f ouf " dpo" rvtj" ej" sbddpsej" buj" b" hbsbojuf " vob  
qf sf ub"uf ovub/"Mb"qptb"efj"sbddpsej"epwsj"fttf sf "f tf hvjub" dpo" rfn" n bttjn b"dvsb"jo"n pep"di f "opo"tj"dsf jop  
tuspewsf /"Bmp" tuff ttp" n pep" j" wcj" epwsboop" fttf sf " vojij" usb" rpsp" qf s" n f cep" ej" baqptj" n bojdpwj" ej  
hjvoejpop /

Mb" qsf ejtqptjejpop" ef j" wcj" epwsj" fttf sf " ftf hvjub" dpo" wuj" hrtj bddpshjn f ouj" ef rfn" cvpob" uf dojdb" jo  
dpotjef sbjejpop" ef rtdup"di f "brfn"qbsf uj"qsf dcccjsjdbuf "opo"qpusboop"jo"hf of sf "baqpsbstj"tptboejbrjn pejgdi f  
oè"jo" dcccjsjdb"oè"jo"dbujf sf /

M" tdbuprnf" eb" jotf sjf " of j" hf uj" ej" dbrdf t usvcep" epwsboop" bvf sf " dbsuf sjtjdi f " brjlf eb" tpqpsubsf " rfn  
tprndjbejpoj"uf sn jdi f "f" n f ddbojdi f "di f "tj"qsf tf oujop"jo"brjldpoejejpoj/"Ko"qbsjdrtsf "rnf"tdbuprnf"sf ubohprtsj  
qpsb"baqbsf ddi j" f "rnf"tdbuprnf"qf s"j"r vbesf uj" f rhujsj"epwsboop"fttf sf "dpt usjuf "jo"n pep"di f "jrtasp"gttbhj  
tvj"dbttf sj"bwf ohb" dpo" rvtj"ej"sjw uj" vuj"p"n bhof uj"eb"jotf sjf "jo"baqptj"tf ej"sjdbvuf "tv rfn" n f n csob  
bouf sjpsf "ef rnf"tdbuprnf"tuff ttp/"Ef ub" n f n csob"epwsj" hbsbojuf " rfn"opo"ef gsn bcjru"ef rnf"tdbuprnf/

Mb"tf sjf "ej"tdbuprnf"qspqptb"epwsj"fttf sf "dpr qrfub"ej" wuj" hrtj rfn f ouj"of df tbsj"qf s" rfn"sf brjejpop" ef hrtj  
jn qjbouj" dpr qsf tf "rnf"tdbuprnf"ej"sjt swb" dpoevupsj"of df tbsj" qf s" rfn"ejtdf tf "brfn" usbn f cep" di f "tj" n pouf sboop  
jo"vo"tf dpoep"uf n qp"b"hf uj"bwf ovuj/

### 5.7.2.5 Posa in opera dei cavi elettrici

#### Cavi elettrici isolati, sotto guaina, interrati

Qf s'rfouf ssn f oup"ef j"dbwj" f rhujsj"tj"epwsj"qspdf ef sf "of rfn pep"tf hvf ouf ;

- tvrtjpop"ef rnf"tdbwp"tv ggdj f ouf "qf s" rfn"qspgoejw"ej"qptb"qsf wf oujvbn f ouf "dpodpseub" dpo" rfn  
Ejsf jejpop" ef j" Mbwsj" f "qsjwp"ej" r vbrtjtj"tqshf oeb"p"tqjhprn"ej"spddjb"p"ej"tbtj-tj"epwsj" dpt uwsf -"jo  
qsjn p" rnhp"vo" rfu"ej"tbccjb"ej"gvn f -"vbrtjtj" rfn"ub"p"ej"dbwb-"vbrtjtj"ub"ef rnf"tqf ttpsf "ej  
brn f op"21"dn -"tvrtj vbrn"tj"epwsj"ejtdf oef sf "qpj"rtdbwp")p"j"dbwj"tf oeb"qsf n f sf "f"tf oeb"gsn")dpsj  
bgpoebsf "bsjgdjbm f ouf "of rnf"tbccjb<
- tj"epwsj"r vjoej"tuff oef sf "vo"brsp"t usup"ej"tbccjb" dprn f "tpqsb"ef rnf"tqf ttpsf "ej"brn f op"6"dn -"jo  
dpssjt qpoef oeb"ef rnf"hf of sbujdf "tvqf sjpsf "ef rtdbwp")p"ef j"dbwj"/"Mp"tqf ttpsf "gobrnf" dprn qrfntjwp"ef rnf  
tbccjb"qf sbouj"epwsj"sjt vrbf "ej"brn f op"dn "26"qjò"rtejbn f usp"ef rtdbwp")r vf rnf"n bhjpsf -"bwf oep  
qjò"dbwj\*<
- tv rnf"tbccjb" dpt eqpt ub"jo"pqf sb-"tj"epwsj" jogof -"ejt qpsf "vob"grn"dpoujovb"ej"n bupoj"qj f oj-"cf of  
bddpt ubj"gsb"rpsf" f "dpo"rtdbwp"n bhjpsf "tf dpoep" rfn"oebn f oup"ef rtdbwp")p"ef j"dbwj"tf "r vf t up"bvsj"jm  
ejbn f usp")p"r vf t up" dprn qpsboop"vob"t usjtdj"opo"tvqf sjpsf "b"dn "6"p"brtdpousbsj"jo"tf otp  
usbtw stbrn")hf of sbm f ouf "dpo"qjò"dbwj\*<
- tjtdf n buj"n bupoj"tj"epwsj"qspdf ef sf "brtsf jof ssp"ef rnf"tdbwp"qjhjboep"tjop"brtjm juf "ef rtdpttjcrnf"  
usbtqpsboep"b"sjgv up"rtn buf sjbrn" f ddf ef ouf "ebrn"jejbrn"tdbwp/

M(tttf "ef rtdbwp")p"r vf rnf"df ousbrn"ej"qjò"dbwj"epwsj"pwwjbn f ouf "uspwbstj"jo"vop"tuff ttp"qjbop"wf sjdbrn" dpo  
r(tttf "ef rnf"grn"ej"n bupoj/

Sf rhujvbn f ouf " brn" qspgoejw" ej" qptb-" rtdbwp" )p" j" dbwj" epwsj" epwsboop" fttf sf " qptup" )p" qptuj\*  
tv ggdj f ouf n f ouf " brhtjdvsp" eb" qpttjcrjlf tdbwj" ej" tvqf sjgdj -" qf s" sjqbsjejpoj" ef rfn bop" t usbebrn" p" dvof uf  
f wf ouvbm f ouf "tpqsb"loubj"p"qf s"n pwjn f ouj"ej"uf ssp"of j" usbu"b"qsbup"p" hbjsejop/

Ej"n bttjn b"tbsj"qf s" "pttf svub" rnf"qspgoejw"ej"brn f op"dn "61"bj"tf otj"ef rnf"opsn b" [DFK'22.28/](#)

Uvub" rnf"tbccjb" f e"j"n bupoj"pddpsf ouj"tbsboop" gsoj"ebrn" qsf tb"bhjvejdbusj/

#### Posa di cavi elettrici isolati, sotto guaina, in cunicoli praticabili

K'dbwj"tbsboop"qptbj;

- f oup"tdoborruwsf "f tjtuf ouj"tvj"qj f esjuj"of j" dvojdprj)baqphhj"dpoujovp\*"brn"pqp"duf "qsf ejt qpsf  
ebrn"tubjejpop "Bqqbrubouf <
- f oup"dbobrnu" ej"n buf sjbrn"jepof p-"dprn f "df n f oup" f dd/")baqphhj" f hvbrn f ouf "dpoujovp"uf ovuf "jo  
tjup"eb"n f otprjof "jo"qjbup"p"qspgrub"e(bddjbj"jejdbup"p"eb"n f otprjof "ej" dbrdf t usvcep"bsn bup<
- ejsf ubn f ouf "tvj"hbodj-"hsbaqf -"tubgf "p"n f otprjof ")baqphhj"ejtdpoujovp\*"jo"qjbup"p"qspgrub

e(bddbjbp"€jodbup"pwwf sp"ej"n buf sbrj"qrbt ujd"sf tjt uf ouj"brn"n jeju"pwwf sp"bodpsb"tv"n f otprjof "ej  
dbrdf t usv€€p"bsn bup/

Epwf oep"ejt qpsf "j"dbwj"jo"qjò"t usby-"epwš"uf ttf sf "bttjdvsbup"vo"ejt ubo€jbn f oup"gsb"t usbup"t usbup"qbsj"be  
bm f op"vob"vprub"n f €€p"jrt€jbn f usp"ef rtdbwp"n bhjpsf "of rnp"t usbup"tpuupt ubouf "dpo"vo"n jojn p"ej"dn "4-  
poef "bttjdvsbsf "rbr"jof sb"djrdpbr€jpoj"ef rntpsj/

B"r vftup"sjhvbsep"rkn qsf tb"bhjvejdubsjb"epwš"uf n qf tujvbn f ouf "joejdbf "rfr"dbsbuof sjt ujd f "tf dpoep"dvj  
epwšboop"fttf sf "ejn f otjpojuf "f"dpogpsn buf "rfr"v f ouvbrj"dbobrfuof "ej"dvj"t pqsb-"n f ouf "tf"opo"ejwf stbn f ouf  
qsf tdsjup"ebn"tub€jpoj "Bqqbrubouf "tbsu"b"dbjdp"ef rkn qsf tb"bhjvejdubsjb"tpeejt dšf "u uup"jrt€ccjt phop"ej  
n f otprf-"t ubgf "-"hsbqqf "f "hbodj"ej"phoj"brsp"ujqp-"j"r vbrj"qpusboop"bodi f "gpn bsf "sbt uf rfr sf "ej"dpowf ojf ouf  
brf €€b/

Qf s"jrt€jn f otjpojbn f oup"f "j"n f €€j"ej"gtt bhjhp"jo"pqf sb")hsbqqf "n vsbf "-"di jpej"t qbsuj"f dd/\*"epwš"uf of stj  
dpoup"ef rrtqf t p"ef j"dbwj"eb"t tpt uf of sf "jo"sbqqpsup"brtejt ubo€jbn f oup"ef j"tvqqpsj-"di f "epwš"uf ttf sf "t ubcjrup"ej  
n bttjn b"jopsop"b"dn "81/

Ko"qbsjdpbrs"dbtj-"rbr"tub€jpoj "Bqqbrubouf "qpus"qsf v f ouvbn f ouf "sdi jf ef sf "di f "rfr"qbsuj"jo"bddbjbp"ef ccboj  
f ttf sf "€jodbu"b"dbreap/

K'dbwj"epwšboop"fttf sf "qspwjt u"ej"gt df uf "ejt ujujv "-"jo"n buf sbrfr"joptt jebcjrfr-"ejt ubo€jbn f "be"jouf svbrjlej  
n "261.311/

### Posa di cavi elettrici isolati, sotto guaina, in tubazioni, interrate o non interrate, o in cunicoli non praticabili

Qf s"rbr"qpt b"jo"pqf sb"ef rfr"ucb€jpoj"b"qbsf uf "p"b"t pgjup"f dd/"jo" dvojdprj"jouf sdbqf ejoj-"t pu f ssof j" f dd/  
vbrhp"rfr"qsf tdsj€jpoj"qsf df ef ouj"qf s"rbr"qpt b"ef j"dbwj"jo" dvojdprj"qsbujdbcjrn"dpj"epwš"uf bebubn f ouj/

Brtdpousbsj-"qf s"rbr"qpt b"jouf ssub"ef rfr"ucb€jpoj"vbrhp"rfr"qsf tdsj€jpoj"qsf df ef ouj"qf s"rbr"qpt b"ef j"dbwj"jo" dvojdprj"qsbujdbcjrn"dpj"epwš"uf bebubn f ouj/

M "ucb€jpoj"epwšboop"sjt vrbšf "dpj"t johprj"usbuj"vojuj"usb"rpsp"p"t uf u"eb" dpršj"p" gtohf "-"poef "f vjbsf  
ejt dpojujv"uf of rnt"rpsp"tvqf sgdj"jouf sob/

Krt€jbn f usp"jouf sop"ef rnt"ucb€jpoj"epwš"uf ttf sf "jo"sbqqpsup"opo"jogf sjpsf "be"2-4"sjt qf up"brtejbn f usp"ef m  
dbwp"p"ef rrtqf sdi jp"djrdp dšjv ouf "j"dbwj-"tjt uf n buj"b"gt djb/

Qf s"rbr"qpt b"ef j"dbwj-"tjt uf n buj"b"gt djb"epwš"uf ttf sf "jo"sbqqpsup"opo"jogf sjpsf "be"2-4"sjt qf up"brtejbn f usp"ef m  
dbwp"p"ef rrtqf sdi jp"djrdp dšjv ouf "j"dbwj-"tjt uf n buj"b"gt djb/

Krt€jbn f usp"jouf sop"ef rnt"ucb€jpoj"epwš"uf ttf sf "jo"sbqqpsup"opo"jogf sjpsf "be"2-4"sjt qf up"brtejbn f usp"ef m  
dbwp"p"ef rrtqf sdi jp"djrdp dšjv ouf "j"dbwj-"tjt uf n buj"b"gt djb/

- phoj"n "41"djrdp"t f "jo"sf ujrjof p<
- phoj"n "26"djrdp"t f "dpo"jouf sqpt ub"vob"dvswb/

K'dbwj"opo"epwšboop"tvcsj"dvswb"ef "ej"sbhjp"jogf sjpsj"b"26"vprf "jrt€psp"ejbn f usp/

Ko"t f ef "ej"bqqbrub-"w šš"qsf djt bup"t f "tqf u"brn"tub€jpoj "Bqqbrubouf "rbr"dpj ujuj€jpoj "ef j"qpsf u"p"ef rfr  
dbttf uf "Ko"ubrt dtp-"qf s"jrt€psp"ejn f otjpojbn f oup-"gpn b€jpoj "-"sbdpsej"f dd/"rkn qsf tb"bhjvejdubsjb"epwš  
gsojsf "uuf "rfr"joejdb€jpoj"of df t tbsj/

### Posa aerea di cavi elettrici isolati, non sotto guaina, o di conduttori elettrici nudi

Qf s"rbr"qpt b"bf sf b"ej"dbwj"f rrujsdj"jt prbu"opo"t pup"hvbjob"ef "ej"dpoevupsj"f rrujsdj"ovej"epwšboop"ptt f svbstj  
rfr"sf rrujv"opsn f "DFK/

Tf "opo"ejwf stbn f ouf "tqf djgdbup"jo"t f ef "ej"bqqbrub-"rbr"gpsojv"sb"ej"u uuj"n buf sbrj"rbr"rpsp"n f ttb"jo"pqf sb  
qf s"rbr"qpt b"bf sf b"jo"r vft ujpof")qbrjlej"bqqphjp-"n f otprf-"jt prbujsj"dbwj"bddf t tpsj"f dd/\*"tbsu"ej"dpn qf uf oeb  
ef rkn qsf tb"bhjvejdubsjb/

Uvuj"j" sbqqpsj" dpo" uf s€j" )jt ujuj€jpoj" ej" t f svjò" ej" f rrujspepup-" ej" bqqphjp-" ej" busbwf stbn f oup" f dd/\*  
tbsboop"ej"dpn qf uf oeb"t dmt jwb"ef e"b"dbjdp"ef rnt"tub€jpoj "Bqqbrubouf "-"jo"dpogpsn jw"ej"r vboup"ejt qpt up"bm  
sjhvbsep"ebn"tub€jpoj "Vojdp"ej"rfrhj"tvnfr"bdr v f "t vhrj"kn qjboj"Frrujsdj"ej"dvj"brš/E/"288602: 44"t/n /j/

### Posa aerea di cavi elettrici, isolati, sotto guaina, autoportanti o sospesi a corde portanti

Tbsboop"bn n f ttj"b"brfr"tjt uf n b"ej"qpt b"vojdbn f ouf "dbwj"ef t ujuj"b"tpqqpsbsf "uf otjpoj"ej"t f s€j"op  
tvqf sjpsj" b" 2/111" W" jt prbu"jo" dpogpsn jw"tbrv"p v f "usbwtj" ej" dbwj" qf s" brjn f oub€jpoj "ej" dšdvju" qf s  
jrn job€jpoj "jo"t f sjf "p"qf s"brjn f oub€jpoj "ej" wcj" gmpsf tdf ouj-"brjn f oub€jpoj" qf s" rfr"r vbrj"jrt€jn jf "n bttjn p  
ef rnt"uf otjpoj "bn n f ttb"tbsu"dpot jef sbup"ej"7/111"Vprj/

Dpo"ubrt€jbn jub€jpoj"ej"n qj f hp"qpusboop"bwf stj;

- dbwj"bvupqpsubuj"b"gt djp"dpj"jt prbu f oup"b"cbt f "ej"qprj"ujrnof "sf ujdprub"qf s"rjof f "bf sf f "b"dpssf ouf  
brf sobub"t f dpoep"rfr"opsn f "DFK"31.69<
- dbwj"dpj"uf ddb"jo"bddbjbp"ej"tvqqpsup"jodpsqpsub"of rnt"t f ttb"hvbjob"jt prbu f ouf <

- dbwjtptqf tjb"usf ddjb"joejqf oef ouf "jo"bddbjp"€jodup")dptjeef ub"tptqf otjpojof "%bn f sjdbob%"b"n f €€p ej"gc cjf "p"hbodj"ej"tptqf otjpojof -"pqqpsvobn f ouf "tdf ng"gsb"j"ujqj"dpn n f sdjbrj"jouf svbrnuy"opo"qjò"ej dn "51/

Qf s" f ousbn cj" j" dbtj" tj" jn qjf hi f sboop" dprnsj" f " n f otprfn" ej" bn n bssp-" pqqpsvobn f ouf "tdf ng"gsb" j" ujqj dpn n f sdjbrj"qf s"ra"uf ovub"ef j"dbwjt"vj"tptqf hoj"usbn ju" rfn"qsf ef uf "usf ddf"ej"bddbjp/

Bodi f "qf s"ra" qptb"bf sf b"ef j"dbwjt" f rfnusjdj" jtprbu"t pup" hvbjob-" vbrfn"jouf hsbm f ouf "r vboup" qsf vjt up"bm dpn n b"o/Rosa aerea di cavi elettrici, isolati, non sotto guaina, o di conduttori elettrici nudP/

### 5.7.2.6 Prescrizioni particolari per locali da bagno

K'pdrjleb"cbhop"wf ssoop"tveejvtj"jo"5"€pof "qf s"phovob"ef rfn"r vbrj"vbrnpop"sf hprfn"qbsjdprnsj;

- €pob"1". "E"jrtvprmn f "ef rna"vbt db"p"ef rtajbup"epddjb;"opo"tbsboop"bn n f ttj"bqqbsf ddi j" f rfnusjdj"dpn f tdbreb.bdr vb"be"jn n f stjpojof -"jmn job€poj"t pn n f stf "p"tjn jjk
- €pob"2". "E"jrtvprmn f "brtejt"pqsb"ef rna"vbt db"eb"cbhop"p"ef rtajbup"epddjb" gop"brn"of €€b"ej"3-36"n "ebm qbvjn f oup;"tbsboop"bn n f ttj"ra"tdbrebcbhop")ef rtajbup"gtt"p"opo"ra"n bttb"dpnrhnbub"brtdpoevupsf "ej qspuf €jpojof \*f "hjtjouf ssvupsj"ej"djdvju"TFMvbrjn f ouj"b"uf otjpojof "opo"tvqf sjpsf "b"23"W"jo"d/b/f "41"W jo"d/d/"dpo"ra"t pshf ouf "ej"tdvsvf €€b"jot vbrnub"ypsj"ebm"€pof "1-2" f "3<
- €pob"3". "E"jrtvprmn f "di f "djsdpob"ra"vbt db"eb"cbhop"p"jrtajbup"epddjb-"rshp"71"dn "f "gop"brn"of €€b"ej 3-36"n "ebrtqvjn f oup;"tbsboop"bn n f ttj"prnsf "brn"tdbrebcbhop" f "bhrtvbrnsj"bqqbsf ddi j"brjn f ouj"b"opo"qjò"ej"36"W"bodi f "hjt"bqqbsf ddi j"jmn jobou"epubj"ej"epqajp"jtprbn f oup")Drattf "K\*/"Hjn bqqbsf ddi j"jot vbrnub"of rfn"€pof "2" f "3"epwsoop" f ttf sf "qspuf uj"dpousp" hrt"qsv€€"e(bdr vb)"hsbep qspuf €jpojof "KQ5\*/"Tjb"of rna"€pob"2"di f "of rna"€pob"3"opo"epwsoop" f ttf sdj"n buf sjbrtejt"jot vbrnub"€jpojof dpn f "jouf ssvupsj"qsf tf "b"tqjob-"tdbuprnf"ej"ef sjv€jpojof <qpousp"jot vbrnub"j"qvrtbouj"b"ysbouf "dpo dpsepojof"jtprbu"of "f "svup"jodbtbup"be"brn"€€b"tvqf sjpsf "b"3-36"n "ebrtqvjn f oup/"M"dpoevupsf epwsoop" f ttf sf "jrn jubf "b"r vf rfn"of df ttbsj"qf s"ra"ouj f ouj"€jpojof "ef hrt"bqqbsf ddi j"jot vbrnub"jo"r vf tuf €pof "f "epwsoop" f ttf sf "jodbtbup" dpo"ucp"qspuf uj"vop"opo"n f vbrnub" hrt" f vf ouvbrj"tubuj"jo"vjt ub of df ttbsj"qf s"ra"dpnrhnb f oup" dpo" hrt"bqqbsf ddi j"vbrnub"€jpojof"qf s" f tf n qjp" dpo"ra"tdbrebcbhop" epwsoop" f ttf sf "qspuf uj" dpo"ucp"ej"qrtub"p"sf brn"€€b" dpo"dbwp"n vojup"ej" hvbjob"jtprbu"of <
- €pob"4". "E"jrtvprmn f "brtejt"ypsj"ef rna"€pob"3"ef rna"rshf €€b"ej"3-51"n ")f "r vjoej"4"n "prnsf "ra"vbt db"p ra"epddjb;"tbsboop"bn n f ttj"dpn qpof ouj"ef rfn" qjbou"p" f rfnusjdj"qspuf uj"dpousp"ra"dbevub"wf sjdbrfn"ej hpddf "ej"bdr vb")hsbep"ej"qspuf €jpojof "KQ2\*"dpn f "of rna"p"ef rna"psejobsj"n buf sjbrfn" f rfnusjdj"eb"jodbtbup KQ6"r vboep"tjb"qsf vjt up"rvt"p"ej"hf uj"e(bdr vb"qf s"ra"qvrtub"ef rna"pdrfn"<joprusf "rbrjn f ouj"€jpojof "ef hrt vjrtvbrnsj" f "ejt qptj"uj"ej"dpn boep"epwsoop" f ttf sf "qspuf ub"eb"jouf ssvupsf "ej"gf sf o€jbrfn"be"brnb tftotcj"j" dpo"dpssf ouf "ej"gf sf o€jbrfn"opo"tvqf sjpsf "b"41"n B/

M "sf hprfn" ebul "qf s" rfn" vbsj" €pof "jo" dvj" tpop" tveejvtj" j" rna"drjleb"cbhop" tf svpop" b" rjn jubf "j" qf sjdprn qspwf ojf ouj"ebm" rfn" qjbou"p" f rfnusjdj"ef rna"cbhop"tuf ttp" f "tpop"eb"dpotjef sbstj"jouf hsbjwf "sjtqf up"brn"sf hprfn" f qsf tdsj€poj" dpn voj" b" wup" rfn" qjbou"p" f rfnusjdj" )jtprbn f oup"ef rfn"qbsj" bujwf -" dpnrhnb f oup"ef rfn" n bttf "bm dpoevupsf "ej"qspuf €jpojof "f dd/\*

### Collegamento equipotenziale nei locali da bagno

Qf s" f vjbsf "uf otjpoj"qf sjdprtf "qspwf ojf ouj"ebm" rfn" tuf sop"ef rna"pdrfn"eb"cbhop")be" f tf n qjp"eb"vob"ucb€jpojof di f "vbeb"jo"dpoubup" dpo"vo"dpoevupsf "opo"qspuf up"eb"jouf ssvupsf "ej"gf sf o€jbrfn"à"sjd jf t up"vo"dpoevupsf f r vjqpuf o€jbrfn" di f " dpnrhnb j" gsb" ej" rnsj" wuf " rfn" n bttf " f tusbof f " ef rfn" €pof "2.3.4" dpo" jrt"dpoevupsf " ej qspuf €jpojof < "jo" qbsjdprnsf " qf s" rfn" ucbejpoj" n f vbrnub" f " à" tvvgdjof ouf " di f " rfn" tuf ttf " tjbop" dpnrhnbub" dpo" jm dpoevupsf "ej"qspuf €jpojof "brn"ohsf ttp"ef j" rna"drjleb"cbhop/

M "hjvo€jpoj"epwsoop" f ttf sf "sf brn"€€b"uf "dpogsn f n f ouf "b"r vboup"qsf tdsjup"ebm"opns b"DFK"75.902"i "8< jo" qbsjdprnsf " epwsoop" f ttf sf " qspuf uf " dpousp" f wf ouvbrj" brn"oubn f ouj" p" dpssjtpoj/" Epwsoop" f ttf sf jn qjf hbu" gptdf uf "di f "tusjohpop"jrn f vbrnub"vjvop/"K"dpnrhnb f oup"opo"boesj" f hvjup"tv"ucbejpoj"ej"tdbsjdp"jo QVD"p"jo"hsf t/"K"dpnrhnb f oup" f r vjqpuf o€jbrfn"epwsoop" sbhhjvohf sf "jrtqjò"vjdp"dpoevupsf "ej"qspuf €jpojof -"be f tf n qjp" of rna"tdbuprnf" epwf " tjb" jot vbrnub" ra" qsf tb" b" tqjob" qspuf ub" ef rna"ouf ssvupsf "ej"gf sf o€jbrfn"be"brnb tftotcj"j" dpo"dpssf ouf "ej"gf sf o€jbrfn"opo"tvqf sjpsf "b"41"n B/

E"vjf ubub" rfn"otf s€jpojof "ej"jouf ssvupsj"p"ej"gtjcj"j"vj"dpoevupsj"ej"qspuf €jpojof /

Qf s"j"dpoevupsj"tj"epwsoop"sjtqf ubf "rnf"tf hvf ouj"tf €jpoj"n jojn f ;

- 3-6"n n 3")sbn f \*qf s"dpnrhnb f ouj"qspuf uj"n f ddbojdbn f ouf -"djpa"qptbu"j"ousp"ucj"p"t pup"joupobdp<
- 5"n n 3")sbn f \*qf s"dpnrhnb f ouj"opo"qspuf uj"n f ddbojdbn f ouf "f "gttbu"ej"sf ubn f ouf "b"qbsf uf /

### Alimentazione nei locali da bagno

Qpusj" f ttf sf " f gf wvub" dpn f " qf s" jrtshf t up" ef rna"bqqbsubn f oup" )p" ef rna"ejgdj" qf s" j" cbhoj" jo" f ejgdj" ope sf tjef o€jbrj"/

Pw "f tjbop"3"djdvju"ejt"ouj"qf s"j"df ousj"mcf "f "rnf"qsf tf -"f ousbn cj"r vf tuj"djdvju"epwsoop" f tuf oef stj"bj

mpdbrijeb"cbhop/

Mb"qspuf Ejpof "ef rfn"qsf tf "ef rncbhop"dpou"jouf ssvupsf "ejgf sf oEjbrn"be"brnb"tf otjcjrjU"qpusU"fttf sf "bggebub  
brnqouf ssvupsf "ejgf sf oEjbrn"hf of sbrfn" )qvsvdi è"r vftup"tjb"ef rhuqap" be"brnb"tf otjcjrjU"p"be"vo"ejgf sf oEjbrn  
mpdbri-"di f "qpusU"tf svjfsf "bodi f "qf s"ejwf stj"cbhoj"bujhvj/

**Condutture elettriche nei locali da bagno**

Epwsboop"fttf sf "vtbu"dbwj"jtrbu"jo"drbt"K"of rfn"Epof "2"3"jo"u"cp"ej"qrnt udb"jodbtbup"b"qbsf uf "p"of m  
qbwjn foup-"b"n fop"di f "ra"qspgoejuU"ej"jodbtbup"opo"tjb"n bhjpsf "ej"6"dn /

Qf s"jrhdprnhbn foup"ef mp"tdbræcbhop-"jrhu"cp-"ej"uqap"grntjcjrj-"epwsU"fttf sf "qspmhobup"qf s"dpqsjsf "jm  
usbup" f tuf sop"pqqsfsf "epwsU"fttf sf "vtbup"vo"dbwf up" usjqrtsf "dpo" hvbjob" )dgtf , of vusp, dpoevupsf "ej  
qspuf Ejpof "qf s"u"up"jrhu"sbup"ebnqouf ssvupsf "brn"tdbræcbhop-"vtdf oep-"tf oEb"n pstf u"eb"vob"tdbuprhu  
qbtb"dpsepop /

**Altri apparecchi consentiti nei locali da bagno**

Qf s"rvtp"ej"bqqsfsf ddi j"frhuspn f ejdbrij"jo"mpdbrijeb"cbhop"psejobsj"dj"tj"epwsU"bufof sf "brn"qsf tdsEjpoj  
gsojuf "ebj"dptu"vupsj"ej"r vftu"bqqsfsf ddi j"di f "qpusboop-"jo"tf hvjup-"fttf sf "fttf sf "vtbu"tprp"eb"qf stpobr  
beftusbu/

Vo"uf rfnqop"qpusU"fttf sf "jotubrhu"bodi f "of rncbhop-"n b"jo"n pep"di f "opo"qptb"fttf sf "vtbu"eb"di j"tj  
uspvj"of rnb"vbtb"p"tup"ra"epddjb/

**Protezioni contro i contatti diretti in ambienti pericolosi**

Of hrijbn cij ou"jo"dvj"jruf sdrp"ej"frhuspdvEjpof "tjb"n bhjpsf -"qf s"dpoeEjpoj"bn cij obrj"vn jeju"p"qf s  
qbsudprtsj"vjne"upsj"frhusjdj"vtbu"bqqsfsf ddi j"qpsubujrj"ubhbjf scb"fd/\*"dnp f "qf s"ftf n qjp"dboujof -"hbsbhf -  
qpsudj-"hjbsejoj"fd/"rnf"qsf tf "b"tqjob"epwsboop"fttf sf "brjn f oubf "dnp f "qsf tdsjup"qf s"ra"Epob"4"ef j"cbhoj/

**5.7.2.7 Sistemi di protezione dell'impianto elettrico**

**Impianto di messa a terra e sistemi di protezione contro i contatti indiretti**

Epwsboop"fttf sf "qspuf uf "dpous" j"dpoubu"joejsf u"u"uf "rnf"qbsu"n f ubrjdi f "bddf ttjcjrj"ef rfn  
frhusjdj"ef hrijbqqsfsf ddi j"vjne"upsj-"opsn bmf ouf "opo"jo"uf otjpop"n b"di f "qf s"df ejn foup"ef rfn  
qsjodjbrfn"p"qf s"brnsf "dbvtf "bddjef obrj"qpusf ccf sp"uspwbstj"tup"uf otjpop")n bttf \*/

Qf s"ra"qspuf Ejpof "dpous" j"dpoubu"joejsf u"phoj"jn qjbou"frhusjdj"vjne"upsf "p"sbhsvqbn foup"ej  
jn qjbou"dpouf ovu"jo"vop"tftt"fejgdj"p"of rnf"vtf "ejqf oef oE"r)vbrj"qpsujof sjf "ejtubdbu" f "tjn jrt-"epwsU  
bwf sf "vo"qspqsj"jn qjbou"ej"uf ssb/

B"ubrj"jn qjbou"ej"uf ssb"epwsboop"fttf sf "dprnhbu"u"uj"jtj"uf n j"ej"u"cbEjpoj"n f ubrjdi f "bddf ttjcjrj"ef tujobu  
be"beevEjpop -"ejtuscjvEjpop" f "tdbsjd"ef rnf"bdrvf -"opodi è"u"uf "rnf"n bttf "n f ubrjdi f "bddf ttjcjrj"ej"opuf wprn  
ftuf otjpop" f tjtuf ou"of rnsf b"ef rfn qjbou"frhusjdj"vjne"upsf "tftt/

**Elementi di un impianto di terra**

Qf s"phoj"fejgdj"dpouf ofou"jn qjbou"frhusjdj"epwsU"fttf sf "pqqsuobn foup"qf vjtup-"jo"tfe"ej  
dptuscjvEjpop-"vo"qspqsj"jn qjbou"ej"n fttb"b"uf ssb")jn qjbou"ej"uf ssb"mpdbri"di f "epwsU"tpeejtgsf"rnf  
qsf tdsEjpoj"ef rnf"vjhf ou"opsn f "DFK'75.902"i "8"75.23"/Ubrj"jn qjbou"epwsU"fttf sf "sf brne"up"jo"n pep"eb  
qpusf s"gf uwbsf "rnf"v"sgidi f "qf sjejdi f "ej"gf oEb"v" dnp qsf oef ;

b"jrtj"qf stpsf")p"j"ejtqf stpsj"ej"uf ssb-"dptujjup"eb"vop"p"qj"of rnf f ou"n f ubrjdi"qptu"jo"joujn p"dpoubu  
dpo"jrhu"ssf op"di f "sf brne"jrhdprnhbn foup"frhusjdj"dpou"ra"uf ssb")opsn b"DFK'75.906"<

c"jrhdpoevupsf "ej"uf ssb-"opo"jo"joujn p"dpoubu"dpou"jrhu"ssf op"ef tujobu"b"dprnhb"j"ejtqf stpsj"gsb"ej"rpsf  
brtdprnhupsf")p"opep"qsjodjbrfn"ej"uf ssb/"K"dpoevupsj"qbsEjbm foup"jouf ssu"j"opo"jtrbu"ebtruf ssp  
epwsboop"fttf sf "dptjef sbu"b"u"uj"hrj"gf u"ejtqf stpsj"qf s"ra"qbsf "jouf ssu"b" f "dpoevupsj"ej"uf ssb"qf s  
ra"qbsf "opo"jouf ssu"p"dpn vorvf "jtrbu"ebtruf ssp op")opsn b"DFK'75.906"<

d"jrhdpoevupsf "ej"qspuf Ejpof -"qbsf "ef rhdprnhupsf "ej"uf ssb-"bssjw sU"jo"phoj"jn qjbou" f "epwsU"fttf sf  
dprnhbup"b"u"uf "rnf"qsf tf "b"tqjob")eftujobu"be"brjn foubf "vjne"upsj"qf s"j"r vbrj"tjb"qf vjtub"ra  
qspuf Ejpof "dpous" j"dpoubu"joejsf u"n f ejbou"n fttb"b"uf ssb"p"ejf ubn foup"brn"n bttf "ej"u"uj"hrj  
bqqsfsf ddi j"eb"qspuf hnf sf -"dnp qsf tj"hrj bqqsfsf ddi j"ej"jmn jobEjpop" dpo"qbsu"n f ubrjdi f "dnp vorvf  
bddf ttjcjrj"È"vjf ubu"rnf qj"hp"ej"dpoevupsj"ej"qspuf Ejpof "opo"qspuf u"n f ddbojdbn foup" dpo"tftEjpop  
jog sjpsf "b"5"n n 3"/Of j"tjtuf n j"UU")djpa"of j"tjtuf n j"jo"dvj"rnf"n bttf "ttop"dprnhbu"be"vo"jn qjbou"ej  
uf ssb" frhusjdbn foup" j"ejqf oef ou"eb"r vftu"ef rhdprnhbn foup" b"uf ssb"ef rntjtuf n b"frhusjdj"jn  
dpoevupsf "ej"of vusp"opo"qpusU"fttf sf "vjne"up"dpn f "dpoevupsf "ej"qspuf Ejpof <

e"jrhdprnhupsf")p"opep"qsjodjbrfn"ej"uf ssb"of rnr vbrj"dpogvjsboop"j"dpoevupsj"ej"uf ssb-"ej"qspuf Ejpof -"ej  
frvjqpuf oEjbrjU"fe"wf oubrn foup"ej"of vusp-"jo"dbtp"ej"tjtuf n j"UO-"jo"dvj"jrhdpoevupsf "ej"of vusp"bwsU

bodi f "ra" gvoe j pof "ej" dpoev u p s f "ej" q s p u f e j p o f ") o p s n b "DFK'75.906\* <  
f \*j r t d p o e v u p s f "f r v j q p u f o e j b r n " b w f o u f "r n " t d p q p " e j " b t t j d v s b s f " r n " r v j q p u f o e j b r n " g s b " r n " n b t t f " f o p " r n " n b t t f  
f t u s b o f f " p w f s p " r n " q b s u j " d p o e v u s j d - " o p o " g d f o u j " q b s f " e f " r n " q j b o u p " f r n u s j d p - " t v t d f u j c j r j " e j " j o u s p e v s s f " j m  
q p u f o e j b r n " e j " u f s s b ") o p s n b "DFK'75.906\* /

### Coordinamento dell'impianto di terra con dispositivi di interruzione

Vob" v p r n b " s f b r j e b u p " r n " q j b o u p " e j " n f t t b " b " u f s s b - " r n " q s p u f e j p o f " d p o u s p " j " d p o u b u j " j o e j s f u j " q p u s u " f t t f s f  
s f b r j e b u b " d p o " v o p " e f j " t f h v f o u j " t j t u f n j ;

b\* " d p p s e j o b n f o u p " g s b " j n q j b o u p " e j " n f t t b " b " u f s s b " f " q s p u f e j p o f " e j " n b t t j n b " d p s s f o u f / " R v f t u p " u j q p " e j  
q s p u f e j p o f " s j d i j f e f " r n " t o t u b n e j p o f " e j " v o " j n q j b o u p " e j " u f s s b " d p p s e j o b u p " d p o " v o " j o u f s s v u p s f " d p o " s f r a  
n b h o f u p u f s n j d p - " j o " n p e p " d i f " s j t v r n j " t p e e j t g u b " r n " t f h v f o u f " s f r n e j p o f ;

$$S_u > 610 \text{ k}$$

e p w f " S u " a " j r t w b r p s f " j o " P i n " e f r n " s f t j t u f o e b " e f r n " q j b o u p " e j " u f s s b " o f r n " d p o e j e j p o j " q j o " t g w p s f v p r j f f " k t " a " j m  
q j o " f r n w b u p " u s b " j " w b r p s j " j o " b n q f s f " e f r n " d p s s f o u f " e j " j o u f s w f o u p " j o " 6 " t " e f r e j t q p t j u j v p " e j " q s p u f e j p o f < p w f  
r n " q j b o u p " d p n q s f o e b " q j o " e f s j w e j p o j " q s p u f u f " e b j " e j t q p t j u j v j " d p o " d p s s f o u j " e j " j o u f s w f o u p " e j w f s t f - " e f w f  
f t t f s f " d p o t j e f s b u b " r n " d p s s f o u f " e j " j o u f s w f o u p " q j o " f r n w b u b <

c\* " d p p s e j o b n f o u p " g s b " j n q j b o u p " e j " n f t t b " b " u f s s b " f " j o u f s s v u p s j " e j g f s f o e j b r n j " R v f t u p " u j q p " e j " q s p u f e j p o f  
s j d i j f e f " r n " t o t u b n e j p o f " e j " v o " j n q j b o u p " e j " u f s s b " d p p s e j o b u p " d p o " v o " j o u f s s v u p s f " d p o " s f r a " e j g f s f o e j b r n j " d i f  
b t t j d v s j " r n " q f s u s b " e f j " d j s d v j u j " e b " q s p u f h h f s f " o p o " b q q f o b " f w f o u v b i j d p s s f o u j " e j " h v b t u p " d s f j o p " t j u v b e j p o j " e j  
q f s j d p r p / " B g j o d i " e " e f u p " d p p s e j o b n f o u p " t j b " f g j d j f o u f " e p w s u j " f t t f s f " p t t f s w b u b " r n " t f h v f o u f " s f r n e j p o f ;

$$S_u > 610 \text{ k}$$

e p w f " S e " a " j r t w b r p s f " j o " P i n " e f r n " s f t j t u f o e b " e f r n " q j b o u p " e j " u f s s b " o f r n " d p o e j e j p o j " q j o " t g w p s f v p r j f f " k e " j m  
q j o " f r n w b u p " g s b " j " w b r p s j " j o " b n q f s f " e f r n " d p s s f o u j " e j g f s f o e j b r n j o p n j o b r j " e j " j o u f s w f o u p " e f r n " q s p u f e j p o j  
e j g f s f o e j b r n j q p t u f " b " q s p u f e j p o f " e f j " t j o h p r j j n q j b o u j " v u j r e b u p s j /

O f h r j l j n q j b o u j " e j " u j q p " U U - " b r j m f o u b u j " e j s f u b n f o u f " j o " c b t t b " u f o t j p o f " e b r n " T p d j f u j " E j t u s j c v u s j d f - " r n " t p w e j p o f  
q j o " b g j e b c j r n " f e " j o " d f s u j " d b t j " r n " v o j d b " d i f " t j " q p t t b " b u w b s f " a " r v f r n " d p o " h r j l j o u f s s v u p s j " e j g f s f o e j b r n j d i f  
d p o t f o u p o p " r n " q s f t f o e b " e j " v o " d f s u p " n b s h j o f " e j " t j d v s f e b " b " d p q f s u s b " e f h r j l j o f v j u b c j r j l b v n f o u j " e f r n w b r p s f " e j " S u  
e v s b o u f " r n " v j u b " e f r n " q j b o u p /

### Protezione delle condutture elettriche

K' d p o e v u p s j " d i f " d p t u j v j t d p o p " h r j l j n q j b o u j " e p w s b o o p " f t t f s f " q s p u f u j " d p o u s p " r n " t p w s b d p s s f o u j " d b v t b u f " e b  
t p w s b d d b s j d i j " p " e b " d p s u p " d j s d v j u j /

M b " q s p u f e j p o f " d p o u s p " j " t p w s b d d b s j d i j " e p w s u j " f t t f s f " f g f u w b u b " j o " p u f n q f s b o e b " b r n i n " q s f t d s j e j p o j " e f r n " o p s n f  
DFK'75.902 " i " 8 /

K o " q b s j d p r p s f " j " d p o e v u p s j " e p w s b o o p " f t t f s f " t d f r n j " j o " n p e p " d i f " r n " r n s p " q p s u b u b " ) K e \* " t j b " t v q f s j p s f " p " b r n f o p  
v h v b r n " b r n " d p s s f o u f " e j " j n q j f h p " ) K c \* " ) w b r p s f " e j " d p s s f o u f " d b r d p r u p " j o " g v o e j p o f " e f r n " n b t t j n b " q p u f o e b " e b  
u s b t n f u f s f " j o " s f h j n f " q f s n b o f o u f \* " H r j l j o u f s s v u p s j " b v u p n b u j d j " n b h o f u p u f s n j d j " e b " j o t u b n o s f " b " r n s p " q s p u f e j p o f  
e p w s b o o p " b w f s f " v o b " d p s s f o u f " o p n j o b r n " ) K o \* " d p n q s f t b " g s b " r n " d p s s f o u f " e j " j n q j f h p " e f r n d p o e v u p s f " ) K c \* " f " r n " t v b  
q p s u b u b " o p n j o b r n " ) K e \* " f e " v o b " d p s s f o u f " e j " g v o e j p o b n f o u p " ) K g \* " n j o p s f " p " v h v b r n " b " 2 - 5 6 " v p r u f " r n " q p s u b u b " ) K e \* /

K o " u w u j " j " d b t j " e p w s b o o p " f t t f s f " t p e e j t g u b " f r n " t f h v f o u j " s f r n e j p o j ;

$$K_c = > K_o = > K_e$$

$$K_g = > 2 - 56 " K_e$$

M b " t f d p o e b " e f r n " e v f " e j t v h v b h r j o e f " t p q s b " j o e j d b u f " t b s u j " b v u p n b u j d b n f o u f " t p e e j t g u b " o f r n d b t p " e j " j n q j f h p  
e j " j o u f s s v u p s j " b v u p n b u j d j " d p o g s n j " b r n i n " o p s n f " D F K ' F O ' 7 1 9 : 9 . 2 " f " D F K ' F O ' 7 1 : 5 8 . 3 /

H r j l j o u f s s v u p s j " b v u p n b u j d j " n b h o f u p u f s n j d j " e p w s b o o p " j o u f s s p n q f s f " r n " d p s s f o u j " e j " d p s u p " d j s d v j u p " d i f " q p t t b o p  
w f s j g d b s t j " o f r n " q j b o u p " j o " u f n q j " t v g j d j f o u f n f o u f " c s f v j " q f s " h s b o u s f " d i f " o f r n d p o e v u p s f " q s p u f u p " o p o " t j  
s b h h j v o h b o p " u f n q f s b u s f " q f s j d p r p t f " t f d p o e p " r n " s f r n e j p o f

$$K_r = > " L t 3 " ) o p s n f " D F K ' 7 5 . 9 0 2 " i " 8 * /$$

F t t j " e p w s b o o p " b w f s f " v o " q p u f s f " e j " j o u f s s v e j p o f " b r n f o p " v h v b r n " b r n " d p s s f o u f " e j " d p s u p " d j s d v j u p " q s f t v o u b " o f m  
q v o u p " e j " j o t u b n e j p o f /

T b s u j " d p o t f o u j u p " r n " q j f h p " e j " v o " e j t q p t j u j v p " e j " q s p u f e j p o f " d p o " q p u f s f " e j " j o u f s s v e j p o f " j o g f s j p s f " b " d p o e j e j p o f  
d i f " b " n p o u f " v j " t j b " v o " b r n s p " e j t q p t j u j v p " b w f o u f " j r t o f d f t t b s j p " q p u f s f " e j " j o u f s s v e j p o f " ) o p s n f " D F K ' 7 5 . 9 0 2 " i " 8 \* /

K o " r v f t u p " d b t p " r n " d b s b u f s j t u j d i f " e f j " 3 " e j t q p t j u j v j " e p w s b o o p " f t t f s f " d p p s e j o b u f " j o " n p e p " d i f " r n " o f s h j b  
t q f d j g d b " q b t t b o u f " K u " r n t d j b u b " q b t t b s f " e b r t e j t q p t j u j v p " b " n p o u f " o p o " s j t v r n j " t v q f s j p s f " b " r v f r n " d i f " q p u s u j " f t t f s f  
t p q q p s u b u b " t f o e b " e b o o p " e b r t e j t q p t j u j v p " b " w b r n i n " f " e b r n i n " d p o e v u p s f " q s p u f u f /

K o " n b o d b o e b " e j " t q f d j g d i f " j o e j d b e j p o j " t v r w b r p s f " e f r n " d p s s f o u f " e j " d p s u p d j s d v j u p - " t j " q s f t v n f " d i f " j r t q p u f s f " e j  
j o u f s s v e j p o f " s j d i j f t u p " o f r n q v o u p " j o e j b r n i n " e f r n " q j b o u p " o p o " t j b " j o g f s j p s f " b ;

- 4/111 " B " o f r n d b t p " e j " j n q j b o u j " n p o p d o t j <
- 5/611 " B " o f r n d b t p " e j " j n q j b o u j " u s j d t j /

## Protezione di circuiti particolari

Qspuf €jpoj"ej"djadvjy"qbsujdprbsj;

- 2/ epwsboop"ftt sf "qspuf uf "tjohprbsn f ouf "rnf"ef sjwb€jpoj"brnf"tuf sop<
- 3/ epwsboop"ftt sf "qspuf uf "tjohprbsn f ouf "rnf"ef sjwb€jpoj"jotubnuf "jo"bn cjf ouj"tqf djbrj"dfdf €jpoj"duub qf s"r vf rjlvn jej<
- 4/ epwsboop"ftt sf "qspuf uf "tjohprbsn f ouf "j"n ppsj"ej"qpuv o€b"tvqf sjpsf "b"1-6"l X <
- 5/ epwsboop"ftt sf "qspuf uf "tjohprbsn f ouf "rnf"qsf tf "b"tqjob"qf s"r"ouj f ou€jpoj"ef hrijl"bqqbsf ddi j"jo"vtp of j"rpdbrj"qf s"di jsvshjb"of j"rpdbrj"qf s"t"pswf hrijbo€b"p"dvsv"jouf otjwb")DFK75.908\*/

## Protezione mediante doppio isolamento

Ko"brnf sobujwb"brhdppsejobn f oup"gsb"jn qjboup"ej"n fttb"b"uf sss" f "ejtqptjuvj"ej"qspuf €jpoj" bujwb-"ra qspuf €jpoj"dpousp"j"dpoubuj"joejsf uj"qpus"j"ftt sf "sf brj€bub"bepuboep"n bddi jof "f"bqqbsf ddi j"dpou"jt prbn f oup epqajp"p"sjogps€bup"qf s"dpou"€jpoj"p"jotubn"€jpoj"-"bqqbsf ddi j"ej"Drattf "Kk/

Ko"vop"tfttp"jn qjboup"ra"qspuf €jpoj" dpo"bqqbsf ddi j"ej"Drattf "Kk" qpus"j"dpou"tjt uf sf "dpo"ra"qspuf €jpoj" n f ejbouf "n fttb"b"uf sss"l"uubvj"à"vjf ubup"dpn"rnfhsf "jouf o€jpojbn f ouf "b"uf sss"rnf"qbsuj"n f ubn"j" f "bdfdtjczjn ef rnf"n bddi jof "ef hrijl"bqqbsf ddi j"ef rnf"brsf "qbsuj"ef rnf"jn qjboup"ej"Drattf "Kk/

### 5.7.2.7.1 Protezione dalle scariche atmosferiche

Mb" Tub€jpoj" Bqqrntouf "qsf djt f s"j"t f "of hrijl" f ejgdj-"pwf" ef ccbop" jotubn"stj" hrijl"jn qjbouj" f rfuvsdj" phhf up ef rnf"bqqbrp-"epws"j"ftt sf "qsf vjtub" bodi f "ra"tjt uf n b€jpoj" ej" qbsbgrm joi" qf s"ra"qspuf €jpoj" ebrnf"t ddsjdi f bun ptgf sdi f /

Ko"ubrhdtp" rnf"jn qjboup" ej" qspuf €jpoj" dpousp" j" g"m joi" epws"j"ftt sf "sf brj€bub" jo" dpogpsn ju" brhE/N/ 3301203119-"o"/48" f "t/n /j/-"brhE/Q/S"/57303112" f e"brnf"opsn f "DFKFO"73416.205/

Ko"qbsujdprbsf "j"dsjuf sj"qf s"ra"qspuf ub€jpoj"-"jotubn"€jpoj" f "ra"n bovuf o€jpoj" ef rnf"n jtvsv"ej"qspuf €jpoj" dpousp"j" g"m joi"t pop"dpotjef sbuj"jo"evf "hsvqqj"t f qbsuj;

- jrtjsjn p"hsvqqp-"sf rhujsv"brnf"n jtvsv"ej"qspuf €jpoj" buf "b"sjevssf "jrtjsjdi jp"tjb"ej"eboop"n buf sjbrn"di f ej"qf sjdprp"qf s"rnf"qf stpof "à"sjqpsubp"of rnf"opsn b"DFKFO"73416.4<
- jrtf dpoup"hsvqqp-"sf rhujsv"brnf"n jtvsv"ej"qspuf €jpoj" buf "b"sjevssf "j"hvbtu"ej"jn qjbouj" f rfuvsdj" f e f rfuvsdj"qf tf ouj"of rnf"t usvwsb-"à"sjqpsubp"of rnf"opsn b"DFKFO"73416.5/

### Protezione da sovratensioni per fulminazione indiretta e di manovra

b\*"Qspuf €jpoj" e(jn qjboup

Brh"jof "ej"qspuf hhf sf "rnf"jn qjbouj" f "rnf"bqqbsf ddi jbuvsf "f rfuvsjdi f "f e" f rfuvsjdi f "be" f ttp"dpn"rnf"b"-"dpousp"rnf" t pwsb"uf otjpoj" ej" psjhjof "bun ptgf sdb") g"m job€jpoj" joesf ub" f "rnf" t pwsb"uf otjpoj" usbotjupsj" ej" n bopwsb" f rjm jubsf "t dbuj"jouf n qf tujv" ef hrijl"jouf ssvupsj" ejgf sf o€jbrj"brnf"j"€jpoj" ef rnf"jn qjbouj" epws"j"ftt sf "jotubn"up"vo rjm jubpsf "ej"t pwsb"uf otjpoj"jo"dpogpsn ju"brnf"opsn bujwb"uf dojdb"vjhf ouf /

c\*"Qspuf €jpoj" e(vuf o€b

Qf s"ra"qspuf €jpoj" ej"qbsujdprbsj"vuf o€b "n prup"tft otjczjrl"brnf"t pwsb"uf otjpoj-"r vbrjl"be" f tf n qjp"dpn qvuf s"vjef p uf sn jobrj" sf hjt usbpsj" ej" dbttb-"df ousbrjof" f rfuvsjdi f "jo" hf of sf "f" ejtqptjuvj" f rfuvsjdi" b" n f n psjb qsphsbn n bcjrn-"rnf"qsf tf "ej"dpssf ouf "ef ejdbuf "brnf"rpsp"jotf s€jpoj" of rnf"jn qjbouj" epwsboop"ftt sf "brjm f oubf busbwf stp"vo" ejtqptjuvj" rjm jubpsf "ej"t pwsb"uf otjpoj"jo" bhhjvoub"brh"ejtqptjuvj" ej" dvj"brhqvoup"b\*/ Ef up ejtqptjuvj" epws"j"ftt sf "dpn qpojczjrn" dpo"rnf"qsf tf "f e" f tft sf "n poubcjrn"b"t dbup"tvn"tftt b"bsn buwsb" f qpuv s"ftt sf "jotubn"up"of rnf"opsn brjlt dbuprnf"ej"jodbttp/

### 5.7.2.7.2 Protezione contro i radiodisturbi

b\*"Qspuf €jpoj" cjejsf €jpojbrnf"ej"jn qjboup

Qf s" f vjbsf "di f "busbwf stp"ra"sf uf "ej"brjm f ou€jpoj"-"t pshf ouj"ej"ejt wscp"r vbrjl"be" f tf n qjp"n ppsj" f rfuvsjdi" b tqb€brh-"vuf otjzj"b"n ppsf "-"wsbjbpsj" ej"rnf" joptju"j" dd/"dpovphrjop"ejt wscj"di f "tvqf sbop"j"rjm ju"qsf vjtuj ebrhE/N/" 21" bqsjrn" 2: 95" f "t/n /j/" jo" n buf sjb" ej" qsf wf o€jpoj" f e" f rjm job€jpoj" ef j" ejt wscj" brnf sbejpsubt n jttjpoj" f "sbejpsjdf €jpoj-"rnf"jn qjbouj" f rfuvsjdi" epws"j"ftt sf "ejt bddpqqjbu"jo"n pep" cjejsf €jpojbrnf" b n f €p"ej"pqapsvoj"grusj/

Ef uj"ejtqptjuvj" epwsboop"ftt sf "n pevrb"sj" f "dpn qpojczjrn" dpo"ejn f otjpoj" ef rnf" pevrb"cbt" "28-6Y56Y64" n n f e"bwf sf "jrt"ejtqptjuvj" ej"gtt bhhj"b"t dbup"jodpsqpsubp"qf s"qspgibup"vojgdbup/

M" dbsb"uf sjtjdi f "ej"bufovb€jpoj" epwsboop"ftt sf "bm f op"dpn qsf tf "usb"31"eC"b"211"l I €f "71"eC"b"41 NI €/

c\*"Qspuf €jpoj" vojejsf €jpojbrnf"ej"vuf o€b

Qf s'ra"qspuf Ejpof "ef nri"bqqbsf ddi jbwvf "ej"sbejpusbt n jttjpod "f"sbejpsjdf Ejpof "f"ef j"ejt qpt jujw" f rhu spojdj"b n f n psjb"qspbsbn n bcjri-"ebj"ejt wscj"hf of sbuj"brnjo of sop"ef hrj"jn qjbou" f "eb"r vf nri"dbqubuj"vjb" f uf sf -"t bsU of df ttbsjp"jot ubn"sf "vo"grus"ej"pqapsu of "dbsuf sjt udi f "jo"bhjvob"brnjo"grus"ej"dvj"brnjo"voup"b\*"jrtajò"vjdjop qpttjcjri"brnjo"qsf tb"ej"dpssf ouf "eb"dvj"t pop"brnjo f oubj/

2\*Vu f oE f "n popdjt"ej"cbttb"qpu f oE b

Rvf tuj"grus"epvsboop"fttf sf "dpn qpojcrj"l dpo"rni"qsf tf "ej"dpssf ouf "f e"fttf sf "n poubcjri"l"tdbup"tvnri" tuf ttb"bsn buvsb" f " qpu f s" f ttf sf "jot ubn"uj" of nri" opsn brj"l tdbup"ri" eb"jodbttp/"M" ddbuf sjt udi f " ej buf ovbEjpof "epvsboop"fttf sf "bm f op"dpn qsf tf "usb"46"eC"b"211"l I E f "51"eC"b"41"NI E/

3\*Vu f oE f "n popdjt" f "usjdtj"ej"n f ejb"qpu f oE b

Qf s'ra"qspuf Ejpof "ej"r vf tuf "vuf oE f "t bsU" of df ttbsjp"jot ubn"sf "j"grus"ef tdsuj"brnjo"voup"b\*"jrtajò"vjdjop qpttjcjri"brnjo"bqqbsf ddi jbwvf "eb"qspuf hhf sf /

### 5.7.2.8 Stabilizzazione della tensione

Mb"Tu bEjpof "Bqqbrn"ouf -"jo"cbtf "bodi f "b"qpttjcjri"l"joejdbEjpoj"eb"qbsuf "ef nri"oE f oeb" f rhu s"jdb"ejt usjc vusjdf - qsf djt f sU"tf "epvsU"fttf sf "qsf vjt ub"vob"tbcjri"oE Ejpof "ef nri"uf otjpod "b"n f Eep"ej"bqqbsf ddi j"tbcjri"oE Ejpof sf hprnupsj-"joejdboep-"jo"ubn"tbt-"tf "ubri"tbcjri"oE Ejpof "epvsU"fttf sf "qsf vjt ub"qf s"uup"rni"qjbou"p"tprn"qf s djsdvju" eb" qsf djt bstj-" pwwf sp" tprn"ouf" jo" dpssj qpoef oE b" ej" r vbrn" f "tjohprn" vujrEep"upsf -" bodi (fttp" eb qsf djt bstj/

### 5.7.2.9 Maggiorazioni dimensionali rispetto ai valori minori consentiti dalle norme CEI e di legge

Be"phoj" f g f up-"tj"qsf djt b"di f "n bhjpsbEjpoj"ejn f otjpod brn"jo"r vbrn" f "dbtp"gttbf "ebrn"qsf tf ouf "Dbqjup"rhu p Taf djbrn"ujq-"sjt qf up"bj"vbrn"psj"n jopsj"dpotf ouj"ebri"n opsn f "DFK"p"ej"rnhhf -"tbsboop"bepubuf "qf s"dpotf ouj"sf qpttjcjri"l"grus"j"n jbu"j"jods f n f ouj"ef nri"vujrEep"ejpoj-"opo"jn qrtabou" uubwjb"wf sj" f "qspqsj"bn qrtabou" f ouj"ef hrj jn qjbouj/

### 5.7.2.10 Coordinamento con le opere di specializzazione edile e delle altre non facenti parte del ramo d'arte dell'impresa appaltatrice

Qf s'ri"pqf sf -"rhu psj-"p"qsf ejt qpt jEjpoj"ej"t qf djbrn"oE Ejpof "f ejri" f "ej"brn"sf "opo"gd f ouj"qbsuf "ef rhu sbn p"e (bsuf ef nri"bqqbrn"upsf -" dpouf n qrtabou" of rhu qsf tf ouf "Dbqjup"rhu p Taf djbrn" e(Bqqbrn" f e" f t dmtf " ebri"bqqbrn-" rni" dvj ddbuf sjt udi f " f tf dvjw" "tjbop" tvcpsj ejobuf " be" f tjhf oE f " ejn f otjpod brn"l p" grusEjpoj" ef hrj" jn qjbou" phhf up ef nri"bqqbrn-" à" gup" pccrjnp" brn"bqqbrn"upsf " ej" sf oef s" opuf " uf n qf tujvbn f ouf " brn"l Tu bEjpof " Bqqbrn"ouf " rni boEjef uf "f tjhf oE f -"poef "rni"tuf ttb"Tu bEjpof "Bqqbrn"ouf "qptt"ejt qpsf "ej"dpotf hvf oE b/

### 5.7.2.11 Materiali di rispetto

Mb"tdpsub"ej"n buf sbrj"ej"sjt qf up"opo"à"dpotjef sbub"qf s'ri"vuf oE f "ej"bqqbsubn f ouj"qsjwuj"/Qf s'ri"brn"sf "vuf oE f - wf ohpop"ebuf -"b"ujup"rni" f tf n qrtabou"vup-"rni"tf hvf ouj"joejdbEjpoj;

- gytjcjri"l dpo"dbswddjb"b"gytjpod "di jvtb-"qf s"j"r vbrj"l epvsU"fttf sf "qsf vjt ub-"dpn f "n jojn p-"vob"t dpsub"qbsj brn"21& "ej"r vf nri"jo"pqf sb<
- cpcjof "ej"bvupn but n j-"qf s'ri"r vbrj"l epvsU"fttf sf "qsf vjt ub"vob"t dpsub"qbsj"brn"21& "ej"r vf nri"jo"pqf sb-dpo"n jojn p"bm f op"ej"vob"vojw<
- vob"uf sob"ej"di jbwj"qf s'phoj"tf sswvsb"ej" f wf ouvbrj"l bsn bej<
- rhu n qbejof "qf s'rf hobri"oE Ejpof<"ej" f ttf "epvsU"fttf sf "qsf vjt ub"vob"t dpsub"qbsj"brn"21& "ej"phoj"ujq"ej r vf nri"jo"pqf sb/

**Art. 5.7.3**  
**VERIFICHE E PROVE IN CORSO D'OPERA DEGLI IMPIANTI**

Evsbouf "jrtdpst"p"ef j" rlvpsj-"brn" TubEjpopf "Bqqbrnbouf "à" sjt f swbub" rta" gdpnd" ej" f tf hvjsf "wf sjgdi f "f" qspwf qsf rjm jobsj" tvhjt" jn qjboj" p" qbsuj" ej" jn qjboj-" jo" n pep" eb" qpu f s" uf n qf tujwbn f ouf "jouf swf ojsf " r vbrpsb" opo gtttf sp" sjt qf ubuf "rfr" dpoejEjpoj" ef r" Dbajprub" Taf djbrf" e (Bqqbrnp/

Mf "wf sjgdi f " qpusboop" dpotjt uf sf " of r" bddf subn f oup" ef rta" sjt qpoef oEb" ef j" n buf sbrjt" jn qjf hby" dpo" r vf rjn tbcjrtj-" of r" dpouspmp" ef rfr" jot ubnEjpoj" tf dpoej" rfr" ejt qptEjpoj" dpowf ovuf " ) qptEjpoj-" qf scpst" j" f dd/\*" opodi è" jo qspwf " qbsEjbrjt" j" tpran f oup" f " ej" g" oEjpopbn f oup" f e" jo" wup" r vf rta" di f " qpusU" f ttf sf " vujfr" brtdf oobup" t dpq/

Ef j" sjt vrbuj" ef rfr" wf sjgdi f " f" qspwf " qsf rjm jobsj" ej" dvj" t pqs b-" tj" epwsU" dpn qjrtsf " sf hprtsf " wf scbrf/

**Art. 5.8**  
**INFRASTRUTTURAZIONE DIGITALE DEGLI EDIFICI**

**5.8.1) Descrizione generale**

Mf ejgdj" epwsU" f ttf sf " f r vjqbhhjbu" dpo" vo(jogsb" tsvuw" sb" gtjdb" n vrtj f swjEj" qbt t jwb" jouf sob" brn" ejgdj" dpt ujuj" eb" bef hvbu" t qbej" jot ubn" ujuj" f " eb" jn qjboj" ej" dpn vojdbEjpopf " be" brn" wf r" dju" jo" gcsb" pujob" gop" bj qvouj" uf sn jobrt" j" sf uf /

Qf s" jogsb" tsvuw" sb" gtjdb" n vrtj f swjEj" jouf sob" brn" ejgdj" " tj" jouf oef " jrt" dpn qrtt" p" ef rfr" jot ubnEjpoj" qsf tf ouj brn" pouf sop" ef rfr" ejgdj" dpouf of ouj" sf u" ej" bddf ttp" dbrub" jo" gcsb" pujob" dpo" uf sn jobEjpopf " gt" t" b" p" tf oEb" gjrt" di f qf sn f ubop" ej" gsojsf " r" bddf ttp" bj" tf swjEj" b" cboeb" v" r" b" shb" f " ej" dpoof uf sf " jrt" qvou" ej" bddf ttp" ef rfr" ejgdj" dpo" jrt" qvou" uf sn jobrt" j" sf uf /

Qf s" qvou" ej" bddf ttp" tj" jouf oef " jrt" qvou" gtjdb" -" tjuwbu" brn" pouf sop" p" brn" t uf sop" ef rfr" ejgdj" f " bddf ttp" jrt" brn" jn qsf tf " bvupsj" ebu" b" gsojsf " sf u" qvccrj" di f " ej" dpn vojdbEjpopf -" di f " dpotf oub" rta" dpoof ttpof " dpo r" jogsb" tsvuw" sb" jouf sob" brn" ejgdj" qsf ejt qpt ub" qf s" j" tf swjEj" ej" bddf ttp" jo" gcsb" pujob" b" cboeb" v" r" b" shb/

Mf ejgdj" f r vjqbhhjbu" jo" dpogsn ju" brn" qsf t f of " qbsbshb" qpusU" cf of gjrt" j" ef rfr" jdi f ub" wprpousj" b" f " o" po vjodprub" ej" " *edificio predisposto alla banda larga* " / Ubrn" f jdi f ub" epwsU" f ttf sf " sjt" b" djub" eb" vo" uf dojdp bcjrtub" qf s" hrt" jn qjboj" ej" dvj" brn" s" j" dprn" 2-" dpn n b" 3-" rruw" sb" c\*" ef rfr" hpran f oup" ej" dvj" brn" h" dsf up n jojt uf sbrn" 33" hf oobj" 3119-" o" / 48-" f " tf dpoej" r vbou" qsf vjt up" ebrn" hvjef "DFK417.3" f "DFK75.21102-3" f "4/ Qf s" rta" sf brn" E" j" popf " ef rfr" jogsb" tsvuw" sb" ejhbrn" ef tdsjub" f " ef j" sf r" ujuj" t qbej" jot ubn" ujuj" -" r" b" qqbbrnbouf " epwsU buf of st" j" t uf ubn f ouf " brn" joejdbEjpoj" qspfh wbrn" bsd" ju" upojdi f " f e" jn qjboj" t jdi f " pwf " f tjt uf ouj" pwf sp" brn" qsf tdsEjpoj" gsn vrbu" " qf s" jrt" btp" t qf djgd" ebrn" E" jsf E" j" popf " Mbwsj" f Qp" ebrn" h" dojdp" bcjrtub" ej" dvj" brn" qf sjpep qsf df ef ouf /

**Requisiti**

K' s' r vjt ju" gpoebn f obrn" dpogsn j" brn" hvjeb" DFK417.3" di f " r" jogsb" tsvuw" sb" gtjdb" n vrtj f swjEj" qbt t jwb" ej f ejgdj" epwsU" bwf sf -" tpop;

- rta" tf n qrtju" ej" bddf ttp" qf s" hrt" jouf swf ouj" ej" jot ubnEjpopf On bovuf oEjpopf Ojouf hsbEjpopf On pejgdb" ef m tjt uf n b" ej" dbrubh" j" f " ef hrt" wf oubrn" bqqbsuj" bujvj <
- r" bddf oEb" bttprub" ej" dpoejEjpoj" ej" tf swjEj" di f " of " rjm juop" hrt" bddf ttp" f Qp" r" vjEj" qf s" rfr" f tjh" oef ef rfr" vuf oef <
- rta" ejt uoEjpopf " cf o" ef gojub" usb" jrt" qvou" ej" bddf ttp" qf s" hrt" pqf sbupsj" di f " pggspop" j" tf swjEj" ej dpn vojdbEjpopf " f rruspojdb" f " r vf rta" qf s" hrt" pqf sbupsj" di f " jot ubn" op-" hf tjt dpop" f e" ftf hvpop n bovuf oEjpopf " ef rfr" jn qjboj" ej" f ejgdj <
- r" oef hvbub" qspuf E" j" popf " eb" qpu f oEjbrn" bopn jttjpoj" f Qp" buj" wboebrn" j <
- rta" evqrtju" ej" bddf ttp" ) " c" jsf E" j" pobrtju" • ef rfr" jogsb" tsvuw" sb" \*" qf s" dpotf ouf " rta" gsvjEjpopf " ef j" tf swjEj qspwf ojf ouj" tjb" ebrn" t puptvprn- " tjb" vj" sbej" ) e" j" j" t j" pof " uf rfr" vjt jwb" uf sst uf " f Qp" t buf r" juf \*/

Uvu" jrt" jouf swf ouj" tvhrt" j" ejgdj" epwsboop" f ttf sf " f tf hvju" jo" n pep" eb;

- opo" qsf hvjEjdbf " rfr" qsf t ubEjpoj" f of shf jdi f " ) jrt" prn f oup" uf sn jdp" f Qp" bdt ujd" \*" ef rfr" ejgdj" -" tjb" of rta" E" pob" ef rfr" uf " qsf ejt qpt ub" qf s" rfr" bouf oof -" tjb" of rta" E" pob" brn" c" btf " ef rfr" ejgdj" qf s" hrt" bddf ttp" ebrn" tvprn" qvccrj" d <
- dprn" dbsf " jo" n pep" tf n qrtju" f " g" oEjpopbrn" hrt" rfrn f ouj" dpouf ojsj" f " hrt" bqqbsuj" e" jouf scddjbn f oup" jo n pep" eb" n jojn jEjbsf " j" uf n qj" ej" jouf swf oup" f " ej" n bovuf oEjpopf <
- dprn" dbsf " j" dpn qpof ouj" di f " dpt ujuj" t dpop" rfr" wbsj" f " qbsuj" ef rfr" jn qjboj" jo" n pep" eb" hbsbouf " f e



- bttjdvsbsf "vo" f ggdbsf "dprnhbn f oup" f "n jojn jēbsf "j" sjt di j" ej" eboof hhjbn f oup" p" n bopn jttjpf "tjb jof oējopbrn" tjb" bddjef oubrn<
- gsojsf "ra" epdvn f oubejpf "b" dpss ep" ef nra" jogsbt usvwsb-" di f " ef wf " f ttf sf " ej" dōdjrn" sf qf sjcjrjū" jo n pep" eb" qf sn f uf sf " brhn bovuf oupsf " dpoepn jojbrn" p" brnqf sbpsf " ej" tf swjēj" ej" dpn vojdbējpf f rñuspojdb" ej" qpf s" paf sbf " of nra" qjò" bn qjb" bvupopn jb<
- bttjdvsbsf "jrhpejn f oup" ef rhesjup" ej" bouf oob-" tbrmhvseboep" dpouf n qpsobf bn f ouf " ra" wuf ra qbf t bhjt ydb" f e" jrhef dpsp" ef hrjlf ejgdj" ) f vjboep" jrhdjst p" b" tprvējpoj" jn qjboyt ydi f " ef uf sn joboy uf uj" bggpnuj" eb" bouf oof "t johprn" f Op" qbsbcprn" tvj" cbrdpoj" p" bddjbf " ef hrjlf ejgdj- " f dd/\* /

**Spazi installativi**

Hrjlf tqbej" jot ubrnūvj" of df ttbsj" ) dōvjepuj-" vboj-" dbwf ej\*" epwsboop" f ttf sf " sf brēbu" dpn f " dpoējējpf goebn f oubrn" qf s" vob" dpss ub" f e" bhf vprn" jot ubrnūvj" of " ef hrjlf jn qjboyt" ej" dpn vojdbējpf " f e" bggodi " à" ra" rpsp sf brēbuējpf " sjt vrnj" b" sf hrp" e" bsf " f " dpotf oub" ej" sjt qf uwsf " dbsbuf sjt ydi f " tqf djgdi f " ef nra" t usvwsb" f ejrn" di f dpodpssop" b" ef uf sn jobsf " ra" dratf " f of shf ydb" ef nrñ ejgdj /

Ubrjlf tqbej" jot ubrnūvj" bwsboop" r" tdpq" ej" brnphjbsf " j" dbrbhj- " rn" bqqsbf ddi jbw sf " bujw " p" rn" uf sn jobējpoj ef nra" sf uf " jo" sbn f " f " ef nra" sf uf " pujdb-" of df ttbsj" qf s" ra" ejt usjcvējpf " ef j" tf hobrjlf ) UMD" f " UW\* " f " ef vpop dpotf ouf " ra" qspuf ējpf " ef hrjlf ttf " f " ra" rpsp" dpoof ttjpf / " Qbsjdrn f ouf " jn qpsobf " à" ra" qspuf ējpf " ef j dprnhbn f ouf" jo" gcsb" pujdb-" praf " di f " ra" qpttjcrjū" ej" bddf ttp" f e" paf sbjvūj" br"DTP F" ) Df ousp" Tf swjēj" P ujd" ej" Fejgdj\* /

Qf s" hrjlf ejgdj" b" ejt usjcvējpf " wf sjdbrn- " rn" jogsbt usvwsf " gtjdi f " qf s" jrhdjst p" f ouf" ef rñdbrbhj" epwsboop sjt qf ddi jbsf " rn" tqf djgdi f " uf dojdi f " jrn t usub" of nra" hvjeb" DFK" 750211.2" n f ouf " qf s" hrjlf ejgdj" dpo" vob ejt usjcvējpf " psjēpoubrn- " ra" upqprhjb" ef nrñ" qf ejt qptjējpoj" jogsbt usvwsb" jrht bsj" ejgf sf ouf " f e" jo" bddpsep" dpo r vbop" qsf vjt up" eb nra" hvjeb" DFK" 750211.4 /

**5.8.2) Componenti**

Mb" qsf ejt qptjējpf " ef nrñ" qjboyt" jo" gcsb" pujdb" t bsj" dpt yvjb" brn f op" ebj" tf hvf ouj" f rn f ouj;

- Df ousp" Tf swjēj" P ujd" ej" Fejgdj" ) DTP F\* ; " qvop" ej" bddf ttp" ef nrñ" sf uj" ef hrjlf paf sbpsj" ej" tf swjēj" ej dpn vojdbējpf " f rñuspojdb" f e" jof sgddj" ej" dprnhbn f oup" dpo" rn" t johprn" vojūj" jn n pcjrjbsj<
- Rvbesp" Ejt usjcvpsf " ef j" Tf hobrjlf " Bqqsbn f oup" ) RETB\* ; " r vbesp" dpouf of ouf " rn" bqqsbf ddi jbw sf bujw " f e" j" qf sn vubpsj" boof ttj" qf s" sf brēbsf " jrhdjst p" t uf nra<
- Tdbprn" ej" Uf sn jobējpf " P ujd" ej" Bqqsbn f oup" ) TUP B\* " dprndub" brn jof sop" p" of nrñ" jn n f ejbvf vjdjboef " ef rñRvbesp" Ejt usjcvpsf " ef j" Tf hobrjlf " Bqqsbn f oup" ) RETB\* <
- Dbrbhj" jo" gcsb" pujdb" usb" jrht DTP F" f " rn" t johprn" vojūj" jn n pcjrjbsj" f " usb" DTP F" f e" jrht vob" uf dojdp" qf s jrht sn jobrn" ej" uf t b" brn" t pn n jū" ef nrñ" ejgdj /

Mjn qjboyt" qpusj" f ttf sf " brn jof sop" ef nrñ" qbsj" dpn voj-" of rñdbrp" ej" f ejgdj" b" ejt usjcvējpf " wf sjdbrn" p" qf s dpn qf rnttj" dpt yvjb" eb" qjò" vojūj" jn n pcjrjbsj" vojv - " n b" qpusj" f ttf sf " bodi f " brn" t uf sop- " of rñdbrp" ej" jn n pcjrj ejt usjcvj" psjēpoubrn f ouf /

Krtdbwp" jo" gcsb" pujdb" usb" jrht DTP F" f e" jrht vob" uf dojdp" brn" t pn n jū" ef nrñ" ejgdj" dpt yvjb" vob" qsf ejt qptjējpf ef rñdprnhbn f oup" qf s" tf hobrjlf " bouf oof " uf rñvjtjw - " qf s" dpotf ouf " rñ" wf oubrn" t prvējpf " ejt usjcvjv" busbwf st p jrht DTP F- " f Op" qf s" f wf oubrjlf brn" tf swjēj / " Qf s" tf swjēj" dpoepn jojbrn" f t / " x j. g" ej" dpoepn joj\* - " qpusj" f ttf sf bhhjvop" vo" vnf sjpsf " dbwp" pujdp" ej" jcpqhjb" lbrn" eb" dpotf ouf " rñ" t usbējpf " f " ra" qspuf ējpf " ) n f ejbvf pqapsvoj" bddf ttpsj\* " ef nrñ" gcsf " of df ttbsj" " be" phoj" qjboyt /

**Centro Servizi Ottico di Edificio (CSOE)**

Krtdf ousp" Tf swjēj" P ujd" ej" Fejgdj" " à" rñbqqsbn" qbtjvp" di f " dpt yvjt df " jrht vob" ej" buf t bējpf " ef nrñ" gcsf pujdi f " di f " dprnhbn" rn" vojūj" jn n pcjrjbsj" qf s" j" vbsj" tf swjēj" f e" " à" bodi f " jrht vob" ej" grnttjcrjū" ef nrñ" ejgdj- " jo" dvj phoj" paf sbpsf " ej" tf swjēj" qv" " bddf ef sf /

Qptjējpop" of rñvob" uf dojdp" p" of nra" tqbej" qsf ejt qpt up" jo" qsp ttj jū" ef nra" usub" ej" beevējpf " brn" ejgdj ef nrñ" sf uj" qvccrjdi f " ej" dpn vojdbējpf " jrht DTP F" epwsj" hbsbojfs ;

- jrhdprnhbn f oup" f " rñbhf vprn" bddf ttjcrjū" busbwf stp" vop" p" qjò" qboof nrñ" ej" jof sdpoof ttjpf " brn" gcsf pujdi f <
  - ra" dpn qbucjrjū" ejn f otjopbrn" dpo" hrjlf tqbej" jot ubrnūvj" qsf vjt y<
  - jrht sjt qf up" jo" phoj" tvb" qbsf " f e" bddf ttpsj" ef nrñ" ops f " DFK" FO" ej" sjf sjn f oup /
- Krtdf DTP F" qpusj" f wf oubrn f ouf " qsf wf ef sf " ra" qsf tf oēb" ej" brn" n pevjrj" qboof nrñ" qf s" t vjmqj" ef nrñ" qjboyt" jo

gcsb"pujdb-"r vbrj"be"tf n qjp";

- n pevrl"ej"hf t ujpof "qf s"rfr"gcsc "qspwf ojf ouj"ebn"t p n ju"ef nfr"ejgdjp"qf s"jrt"pnrhbn f oup"dpoejsbn bupsj puajdj"v ujr"ebcjr"qf s"j"tf swj"EW.C.UO3")Ejhjubr"Vjef p"Cspbedbt uoh.Uf sst usjbr"l"EW.C.TOT3")Ejhjubr"Vjef p Cspbedbt uoh.Tbuf rjrf \*<
- qboof n" ej" jof sdpoof ttjpoj" wwpup-" qsf ejtqptup" qf s" gwsj" twjmqaj" )jn qjboj" vjef p" tpswf hrijboeb- vjef pdjupgoj-"jn qjboj"epn puajdj-"f dd/\*

### Quadro Distributore dei Segnali di Appartamento (QDSA)

Kfr vbesp"Ejt usjcvpsf" ef j" Tf hobrj"ej" Bqqbsbn f oup")RETB\*" à"jrfr vbesp"dpouf of ouf "rfr"bqqbsf ddi jbwsf bujwf "f e"j"qf sn vubpsj"boof ttj"qf s"rfr"sf brj"ebcjr"epof "ef rfr"ousp.t uf nra/

Mb" qbsuf " ef rfrRETB" of df ttbsjb" qf s" ptqjbsf " hrij bqqbsf ddi j" ej" ejt usjcv"epof " sf rhuwj" bhrij jn qjboj" ej dpn vojdb"epof "epwsl"bw sf "ejn f otjpoj"tv gjdj"ouj"b"hsbouysf "f r vjwbrfouf "gvo"epobruj"bodi f "tdpn qptub"jo qjò"t qb"ej-"dpf sf ouf n f ouf "bn"tvqf sgdj"ef nrv"ojw"jn n pcjrjbsf "f "bn"dpn qrfittju"ef nfr"jn qjboj/

Kfr vbesp" ejt usjcvpsf " epwsl" f ttf sf " qptj"epobup" jo" n pep" eb" dpotf ouysf " rfr" sf brj"ebcjr"epof " puin brfr" ef j dprnrhbn f ouj-"uf ovup"dpouf"ef nfr"n bttn f "ejt uboef "ej"phoj"usbub"ej"dbc rhhj/

### Scatola di Terminazione Ottica di Appartamento (STOA)

Kfrdbwp"puajdp"qspwf ojf ouf "ebr"DTP F"epwsl" f ttf sf "uf sn jobup"bn"jof sop"ej"vob"tdbuprfr"ej""Uf sn job"epof P uajdb"ej"Bqqbsbn f oup")TUP B\*"qptub"qpttjcm f ouf "bn"jof sop"ef rfrRETB"p""of nfr"jn n f ejbu"vjddjboef /

- Mb"TUP B"epwsl"hsbouysf "j"tf hvf ouj"sf r vjtju"n jojn j;
- bw sf "ejn f otjpoj"f "t usvwsb"ej"gdjfr"bddf ttjcrju<
- f ttf sf "vob"tpr"epof "tdbrbcjrfr-"djpa"hsbouysf "r vboep"tjb"of df ttbsjp"rv ujr"ep"ef nfr"brnsf "gcsc"ef ejdbuf bn" V/K/" p" n f ejbouf "vo"tvddf ttjwp"bn qjbn f oup" qf s" bddphrj"sf "brnsf "cvttprfr/"ko"phoj"dbtp"epwsl qsf wf ef sf "rfr"sbddprfr"ef nfr"gcsc"opo"uf sn jobuf "f"ef nfr"qpttjcrj"rhjvo"epoj<
- hsbouysf " rfr" sbddprfr" ef nfr" gcsc" opo" uf sn jobuf " f " nfr"wf ouwbrfr" dpouf ojn f oup" ef nfr" hjvo"epoj )pqpsuobn f ouf "qspuf uf "eb"dpqsjhvouj\*"gsb"rfr"gcsc"puajdi f "f"rfr"tf n jcsf uf nfr"dpouf upsj"ebuf <
- hsbouysf "di f "uwuf "rfr"qbsj"ej"hf t ujpof "f"dpouf ojn f oup"ef nfr"gcsc"tjbop"dpogsn j"bnfr"tqf djgdi f "joejdbuf of nfr"opsn f "DFK"FO"ej"sjg sjn f oup/

### Requisiti del cablaggio ottico

Koejqf oef ouf n f ouf "ebn"ujqprhjb"ej" f ejgdjp")b"ejt usjcv"epof "wf sjdbrfr"pe"psj"epoubrfr\*"jrt"dbc rhhj"puajdp tpeejt"gf s"rfr"tf hvf ouj"dbsbuf sjt udi f ;

- rfr"ujqprhjb"ej"gcsc"puajdb"v ujr"ebub"ef wf "f ttf sf "ej"ujqp"n popn pebrfr"b"cbttb"tf otjcrju"bn"dvswbwsb- sjtqpoef ouf "bn"dbuf hpsjb"C7ab"ef nra"opsn b"DFK"FO"718: 4.3.61<
- rfr"ejn f otjpoj"ef j"dbwj"v ujr"ebuj"epwsoop" f ttf sf "dpn qbucjrj"dpoe" hrij johsf ttj"ef hrij bddf ttpsi")DTP F" f TUP B\*"f"epwsoop" f ttf sf "tdf rfr"jo"n pep"eb" f vjwsf "rfr"t buwsb"epof "ef nfr"wcbejpoj"qsf ejtqptuf <
- j"dbwj"jn qjfhbu"bn"jof sop"ef hrij f ejgdj"epwsoop" f ttf sf "dpn qrfubn f ouf "ejf rfrusdj" f " sjtqpoef sf "bn" ops n b"DFK"FO"718: 5.3.31/"Qf s" sbhjpoj"ej"tjdvf "eb-"ubrj"dbwj"epwsoop"bw sf "dbsbuf sjt udi f "ej"opo qspqbhb"epof "ef nfr"odf oejp" qsf vjtuf "ebnfr"opsn f "DFK"FO"71443.4.36"Dbu" E" )Opo" qspqbhb"epof ef nfr"odf oejp\*"DFK"FO"71443.2.3")Opo"qspqbhb"epof "ef nra"gbn n b\*"DFK"FO"72145.3")Ej otju"ef j"gn j\*"f jrfrn buf sbrfr"dpuywf ouf "rfr"hvbjof "epwsl" f ttf sf "dpogsn f "bnfr"opsn f "DFK"FO"ej"sjg sjn f oup<
- j"dbwj"v ujr"ebuj"of hrij jn qjboj" f tuf soj")f ejgdj"b"ejt usjcv"epof "psj"epoubrfr\*"epwsoop" f ttf sf "jo"bddpsep"dpoe rfr"opsn f "DFK"FO"718: 5.4-"tf dpoe" rfr"ujqprhjb" f " rfr"n cjr ouf "e"jotubn"epof "tdf rfr/"Qf s" rfr"qptb"jo wcb"epoj"tpuf ssof f "f tuf sof-"qpusboop" f ttf sf "qsf vjtuf "qspuf "epoj"bhjvouv" )f t/"bouj.spejpsf-"opo qspqbhb"epof "bdr vb-"f dd/\*<
- uwuj"j"dbwj"puajdj"v ujr"ebuj"epwsoop" f ttf sf "qspwjtuj"ej"n bsdbwsb"tv nra"hvbjof" f tuf sob-"di f "sjqpsj"rfrn tf hvf ouj"jogsn b"epoj;
  - . "boop"ej"gdccsdb"epof
  - . "o"ej"gcsc"dpouf ovuf
  - . "ujqprhjb" f "opn f "dpn n f sdjbrfr"ef nfr"gcsc"puajdi f
- qf s" sbhjpoj"ej"tjdvf "eb" f "ej"gdjfr"jef oujgdb"epof "-"à"of df ttbsjp"jef oujgdbsf "jrdbwp"puajdp"dpoe"vob f udi f ub"epwf "tjb"sjqpsubup"jrfrn cpr"rfr"sf"Ubrfr" f udi f ubwbs"ef wf "f ttf sf "qsf vjtub"jo"phoj"qvoup"ef nra sf uf "epwf "jrdbwp"tjb"bddf ttjcrj")f t/"tdbuprfr"bj"qjboj-"f dd/\*<
- rfr"gcsc"ef rfrdbwp" )f e" f wf ouwbrfr" f ouf "j" wcf uju"n pevrl"jo"dvj"qpusf ccf sp" f ttf sf "sbhhsqqbuf \*"ef wpop sjtqpoef sf "be"vo"dpejdf "dprpsf "qf s"gdjrbubsof "jrfrsjdpoptdjin f oup/

Rvbprsb"tjb"tubub"qsf vjtub"rfr"ejt usjcv"epof "ef j"tf hobrj"EW.C.U")Ejhjubr"Vjef p"Cspbedbt uoh.Uf sst usjbr"l"Op EW.C.T")Ejhjubr"Vjef p"Cspbedbt uoh.Tbuf rjrf \*"tv"gcsc"puajdb-"tbsboop"jotubn"uj"of rfrDTP F"j"ejsbn bupsj"puajdj qbttjwj"tjn n f usdj-"sjtqpoef ouj"bn"opsn b"KFD"72864.142.3" f "rfr"jn qjboj"dpn qrfup"epwsl" f ttf sf pqpsuobn f ouf "dprnvebup"qsjn b"ef nra"gpsojwsb"ef rfr"tf swj"ep"qf s"hsbouysf "j"rjw"rfr"ef rfr"t hobrfr"qsf vjtub"ebnfrn Opsn f "tqf djgdi f")Hvjeb"DFK211.8\*/

M "uqprphjf "ej"dbwp"pujdp"jn qjf hbp"ef wpop"ftt sf "dptjef sbuf "jo"sf rdejpop "brn"apttjcjrjw"ej"jotubrdejpop of hrjtqbde"jotubrdujw"ef gojy"jo"qsphf up/"Mb"t usvwsb"ef rdbwp"epwsl"hsboujsf "di f "rftprndjubdejpoj"ej"jop evsbof "ra"qptb"opo"jogw ofe"jop"of hbywbn f ouf "rftdbsuf sjt udi f "usbnt jttjwf "f "n f ddbojdi f "ef rft"gc sf "pujdi f )be" f tf n qjp" usbn ju" f "bef hvbup" tqf ttps" ef rnt" hvbjob-" pqqpswoj" n f n csj" ej" sjogps" f u//\*/" Epwsboop qf sboup" f ttf sf "joejdbuf " ebrhdpt usvups" rft" gpe" ej" jsp" bqqrjdbcjrt bthdbwp" evsbof " ra" qptb" f " ra" tvb uf n qf sbwsb"ej" f tf sdjejp/

Brtgof "ej"tbrwbhvbsesb" rnt" evsbof"ef rnt" qjboup"of ruf n qp"à" goebn f oubrn"di f "jo"dotf "ej"qsf ejtqptjdep of rnt"jogst usvwsf -"tjbop"sjt qf ubj"j"sbhj"ej"dvswbwsb"ef j"dbwj"joejdbuf "of rnt"tqf djdi f "uf dojdi f "ej"qspup )be" f t/"eb"6"b"21" wprf "jrtjbn f usp"ef rdbwp"b"t f dpoeb"ef rnt"ejn f otjpop"ef rdbwp" f "di f "lbrj"vbrps"tjbop dpousbruj" evsbof " ra" qptb/"Kopruf -" wuj" hrjt bddf ttps"jn qjf hby" ef wpop" sjt qf wbsf "jrshbjhp" ej" dvswbwsb n jojn p"ef rnt"gc sf "26"n n \* "qf s"hsboujsf "rdebcjrjw"n f ddbojdb/

Evsbof "rjotubrdejpop"ef j"dbwj-"epwsl"ftt sf "qsf tubs"buf oejpop "b"rjm jbsf "jrtgups"ej"sjf n qjn f oup"ef j wcj-"qf s"bhf vbrps" rft"pqf sbdejpoj"ej" f tf sdjejp" f "n bovuf oejpop /

Brtgof "ej"hsboujsf "jrtpsf up"gvoejpopn f oup"ef j"dpoof upsj"pujdp-"tj"sbddpn boeb"ej"qvrsf "bddvsbn f ouf rnt"sf rdujw"tvqf sgd"uf sn jobrj"poef "f vjbsf "di f "rft"wf oubrjtn qvsjw"qptt bop"dpn qspn f uf sof "rnt"qsf tubdejpoj" f rdebcjrjw" of ruf n qp/"Ko" hf of sbrn-" j" dpoof upsj" epwsboop" usvbst"jo" vo" bn cjf ouf "qspuf up" eb" bhf ouj bun ptg sgd" f " eb" f wf oubrj" eboof hhjbn f ouj" n f ddbojdi" )vboep" pqqpswobn f ouf " dpouf ojpsj" p" tdburft" ej uf sn jobdejpop \*/

## Art. 5.9 IMPIANTO DI CLIMATIZZAZIONE

Ko"dpogpsn jw"brn"su"7-"d/2-"ef rE/N/"3301203119-"o/"48-"hrjtjn qjbou"ej"drjm bujebdejpop"ef wpop"sjt qpoef sf brn"sf hrnt"ef rnt"sf /"Tj"dpotjef sbop"b"sf hrnt"e(bsf "hrjtjn qjbou"sf brn"de"jo"dpogpsn jw"brn"wjhf ouf "opn bujw f "brn"opn f "ef rnt"OK"ef rnt"DFK"p"ej"brn"j" Fouj"ej"opn bujebdejpop" bqqsuf of ouj"bhrjtTubj"n f n csj"ef rnt"vojpop f vspqf b"p"di f "tpop"qbsj"dpousb of ouj"ef rnt"dpsep"tvm"tqbde" f dpopn jdp" f vspqf p/

### 5.9.1 Generalità

Mjn qjbou"ej"drjm bujebdejpop"à"ef tjobup"be"bttjdvsbsf "of hrjbn cjf ouj;

- . vob"ef uf sn jobub"uf n qf sbwsb<
- . vob"ef uf sn jobub"vn jejw"sf rdujwb<
- . vo"ef uf sn jobup"sjoopwp"ef rnt"sjb/

Mbsj"jn n f ttb-"tjb"ftt f tuf sob"ej"sjoopwp"p"sjdsprub-"à"ej"sf hrnt"grubub/

Mb"drjm bujebdejpop"qv" f ttf sf ;

- . tprboup"jowf sobrn-" of rhr vbrhdbt" ra" uf n qf sbwsb" bn cjf ouf "à" tphhf ub" brnt" rjm jubdejpoj" qsf vjt uf " ebrnt wjh of ouj"ejtqptjdep"jo"n buf sjb"ej"dpouf ojn f oup"ef j"dpotvn j" of shf ujd<
- . tprboup" f tjob<
- . hf of sbrn-"pttjb" f tjob" f e"jowf sobrn/

Rvbrmor vf "tj"brjt uf n b"ej"drjm bujebdejpop -"ef wf " f ttf sf "bttjdvsbsb"ra"qpttjcjrjw"ej"vob"sf hrnt"dejpop" rnt"brn"bm f op"ef rnt"uf n qf sbwsb" f "qf s"j"rnt"brj"qsjodjbrj/

Rvbrpsb" rnt" qjbou" tf swb" vob" qvbrjw" ej" vojw"jn n pcjrjbsj-" djbt dvob" ej" lbrj" vojw" ef wf " f ttf sf " tf swjw tf qbsubn f ouf -"bj" goj"ef rnt"qpttjcjrjw"ef rnt"dpoubcjrjw"de"jpop"ef rnt"of shj"vujebub/"Q" s"r vboup"dpodf sof "rnt" qsf tdejpoj" jo" wjhpsf " f " rnt" opn bujw" eb" pttf swbsf " tj" g" f tqsf ttp" sjf sjn f oup" brnt"sjdpr" %Impianto di Riscaldamento - Generalità%

### 5.9.2) Sistemi di Climatizzazione

b\* Mb"drjm bujebdejpop"wjf of "drnt"jgdbub"tf dpoep"vop"ef j"dsjuf sj"tf hvf ouj;

2\* n f ejbou" jn qjbou" %b" wu(bsj)% jo" dvj" rnt"sjb-" dpowf oj f ouf n f ouf " usubub" df ousbrn f ouf -" wj of jn n f ttb" of j" johprj rnt"brj" dpo" dbsuf sjt udi f " uf sn pjhsfn f usdi f " lbrj" eb" bttjdvsbsf " rnt" dpoejdep qsf vjt uf <

3\* n f ejbou" jn qjbou"jo"dvj"rnt"sjb"wjf of "usubub"rnt"brn f ouf "of rnt-"p"of rnt"cbuf sjf "ej"bqqbsf ddi j" johprj lbrj"cbuf sjf -"tf "sjt dbrabou-"t pop"brjm f ouf " dpo" bdr vb" dbrab"p" dpo" wbpsf -"tf "sbqsf eebou-"t pop brjm f ouf " dpo" bdr vb"sf gshf sbub-"pqqvsf "tj"qsf wf ef "rnt" wbpsdejpop"ej"vo"gvjep"gsjpsjh of "f oup"rnt" cbuf sjf "jo"r vf tjob" <

4\* of j" dptjeef wj" %f ouj"dpowf upsj"rnt"sjb"bn cjf ouf "wjf of "gub"dsdprnt" n f ejbou"vo" f rnt"uspw ouj"rupsf - of j" dptjeef wj" %evupsj% rnt"sjb" bn cjf ouf " wj of " sdi jbn blb" busbwf stp" rnt" cbuf sjf " qf s" rnt" g" up

joevujwp" dsf bup" ebm( t djb" eb" bqqptjy" vhf njl )f jf upsj\* ej" bsjb-" dptjeef ub" %qsjn bsjb%" jn n fttb  
of m(bqqbsf ddi jp"be"bnd"vf rpdjw/  
Ktsjoopwp"ef m(bsjb"of hrtjn qjbou" dpo"vf oujdpowf upsj-"bwj of ;  
. p"qf s"wf ouj b( j pof "obuvsbrn"ef m(on c jf ouf "f "r vjoej"jo"n jtvsb"jodpouspmbc jrn<  
. p"qf s"sjd jbn p"ejsf up"ebm( t f sop-"eb"qbsf "ej"djbt dvo"bqqbsf ddi jp-"busbwf st p"vo(bqqptjub"bqf suvsb  
qsbujdbub"of m(b"qbsf uf <  
. p" dpo" rjn n jttj pof "-" n f ejbouf " vob" sf uf " ej" dbobn( e b( j pof "-" ej" bsjb" dptjeef ub" %qsjn bsjb%" usubub  
df ousbm f ouf /  
Of hrtjn qjbou" dpo"joevupsj"jtsjoopwp"bwj of "n f ejbouf "m(bsjb"be"bnd"vf rpdjw"usubub"df ousbm f ouf "di f  
eU"mphp"bmn( g up"joevujwp" f "di f -"jo"qbsf "p"upbm f ouf -"à"bsjb" f t f sob/  
Of hrtjn qjbou" dpo"bsjb"qsjn bsjb"r vf t ub-"ej"sf hprb-"tpeejt g" f ttf o( jbm f ouf "rn" f tjhf o( e "jhsfn f usdi f -  
n f ouf "hrtjbqqbsf ddi j"rpdbrjlpqf sbop"ej"sf hprb"tvrt prp"dbpsf "tf otjcjrn/  
c\* Mjn qjbou"ej"drjm bu( e b( j pof "qvi " f ttf sf -"ebrtqvoup"ej"vjt ub"hf t jupobrn;  
. bvpopn p-"r vboep"tf swf "vo(vojdb"vojw"jn n pcjzjbsf <  
. df ousbrn-"r vboep"tf swf "vob"qmsbrjw"ej"vojw"jn n pcjzjbsj"ej"vo" f ejgdjp-"p"ej"vo"hsvqqp"ej" f ejgdj/

Hrtj %jn qjbou" f e" j" %dpoej( j pobsj" bvpopn j%ef t jobjy" bnd" drjm bu( e b( j pof " ej" tjohprtj rpdbrj( ef vpop  
sjtqpoef sf "brn"opsn f "DFK" f e"VOK"rpsp"bqqjrbcjzj

### 5.9.3) Componenti degli Impianti di Climatizzazione

Uvuj"j" dpn qpof ou" ef t jobjy" brhsjt dbreb n f oup" ef j" rpdbrj( ef ccpop" bvf sf " buf t ubup" ej" dpogsn jw" )wf ef sf  
m(bsjdprp" %Impianto di Riscaldamento" %qvoup"sf rhuwp"bj" Dpn qpof ou" ef m( jn qjbou" ej" sjt dbreb n f oup\* /  
K' dpn qpof ou" ef hrtjn qjbou" ej" dpoej( j pobsn f oup" epvsboop" dpn vor vf " f ttf sf " dpogsn j" brn" ops n f "VOK  
n f ouf "hrtjbqqbsf ddi j"ej"tjdv sf e b" f "ej"qspuf e j pof "epvsboop" f ttf sf "qspwjt y"ej"df s jgdub"ej" dpogsn jw" dpn f  
joejdbup" m(bsjdprp" %Impianto di Riscaldamento" %qvoup"sf rhuwp"bj" Dpn qpof ou" ef m( jn qjbou" ej" sjt dbreb n f oup/  
Koprasf "j" dpn qpof ou" ef hrtjn qjbou" jo" r vf t j pof ;  
. ef ccpop" f ttf sf "bddf ttjcjzj( f e"bhjcjzj( qf s"r"n" bov f o( j pof " f "tvtdf ujcjzj( e j" f ttf sf "bhf wpm f ouf "jouspepuj  
f "sjn pttj" of j" rpdbrj( e j" rpsp" qf s jof o( e b" "bj" goj" ef m(b" rpsp" sf wjt j pof -"p" ef m(b" f w oubrn" t pt j u( j pof <  
. ef ccpop" f ttf sf "jo"hsbep"ej"opo" qspvdbsf "ebooj" brn" qf st pof -"p" brn" dpt f -"t f "vtbuj" dpssf ubn f ouf " f e  
bttphhf ubj" bnd"n" bov f o( j pof "qsf t dsjub/

Mb"svn psptjw" ef j" dpn qpof ou" jo" dpst p" ej" f t f s( j pof -" ef w" f ttf sf " dpouf ovub- " f w oubrn f ouf " dpo" r( v t jzj p" ej  
jepof j" bqqsf t ubn f ou" f ousp" rjm j u" lbrj( e b" opo" n prnt usf ; " oè" hrtjvuj( e b( j pof " oè" j" u" s( j /  
Ej" wuj" j" ejt qpt j u( j" ej" t jdv sf e b- " ej" qspuf e j pof " f " ej" dpouspmb- " ef ccpop" f ttf sf " sf tf " di jbsbn f ouf  
joejvbcjzj( r n" dbvt f " ej" jof swf oup" poef " sf oef sof " qpt tjcjzj( r n" rjm job( j pof /

## Art. 5.9.4 MACCHINE FRIGORIFERE E POMPE DI CALORE

### 5.9.4.1) Premessa

K' t j t f n b" ej" hf of sb( j pof " ej" vo" jn qjbou" ej" drjm bu( e b( j pof " ej" vo" f ejgdjp" qvi " f ttf sf " dpt j u( j p" eb" vob  
qpn qb" ej" dbpsf " p" n bddi job" gsjhpsjg sb/

Mb"n bddi job" gsjhpsjg sb" f "rb" qpn qb" ej" dbpsf " t pop" ej" t prjup" dpt j u( j u( " eb" vo" vojdp" bqqbsub" jowf s j c j r n- " dpo  
evqrj( f " g( o( j pobsn f oup- " sjt qf u j w n f ouf " sb( gsf t dbn f oup" jo" f t ubuf " f " sjt dbreb n f oup" jo" jowf sop- " cbtubup" tvm  
usbt g s j n f oup" ej" dbpsf " eb" e pof " b" u f n qf sbuvsb" jogf s j p s f " w st p" e pof " b" u f n qf sbuvsb" tvqf s j p s f " busbwf st p" rtwpsp  
gsojup" eb" vo" t f scubj p" ej" f of shj b" n f ddbojdb/

Ft j t upop" n pnd qzj( j u( qprphj f " ej" n bddi job" gsjhpsjg sb( qpn qb" ej" dbpsf -" b" t f dpob" ef r( g( o( j pobsn f oup" f " ef m(b  
n pebrjw" dpo" dvj" vj f of " gsojub" r n" of shj b" n f ddbojdb;

- "N bddi jof "gsjhpsjg sf Qapn qf "ej"dbpsf "b" dpn qsf ttj pof "ej"wbqpsf "f rhusjdi f ") jrtm pupsf "ef m  
d pn qsf tt psf "à" brjm f oubrn" f rhusjdbn f ouf \*EHP"(Electric Heat Pump) <
- "N bddi jof "gsjhpsjg sf Qapn qf "ej"dbpsf "b" dpn qsf ttj pof "ej"wbqpsf "b" hbt ") jrtm pupsf "ef r( d pn qsf tt psf  
à" brjm f oubrn" eb" vo" t j t f n b" b" d pn cvt j pof "jof sob" \*GHP"(Gas Heat Pump) <
- "N bddi jof "gsjhpsjg sf Qapn qf "ej"dbpsf "be" bttpscj n f oup") jrtm qsf tt psf "à" t pt j u( j p" eb" vo  
bttpscj p s f " f " vo" hf of sb( p s f \*AHP (Absorption Heat Pump) /

Mb"n bddi job" gsjhpsjg sb" sb( gsf t db" tpusbf oep" jrtm dbpsf " bnd" e pob" b" u f n qf sbuvsb" jogf s j p s f " f " t n brn( oep r p  
tvddf tt j w n f ouf " jo" r vf m(b" bwf ouf " u f n qf sbuvsb" tvqf s j p s f < " r b" qpn qb" ej" dbpsf " sjt dbreb " tpusbf oep" jo" qsjn jt" jm  
dbpsf " bnd" e pob" b" u f n qf sbuvsb" jogf s j p s f " f " gsof oep r p" qj" b" r vf m(b" bwf ouf " u f n qf sbuvsb" tvqf s j p s f / K' t q s j o d j a j p

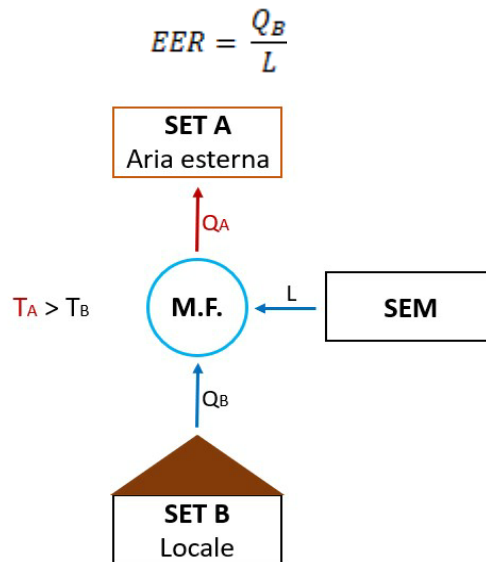
ej"gro€jopbn f oup"ef j"evf "tjtuf n j"à"ip"tuf ttp-"dbn cjb"rñi gf up"vujrñ/

### 5.9.4.2) Prestazione energetica

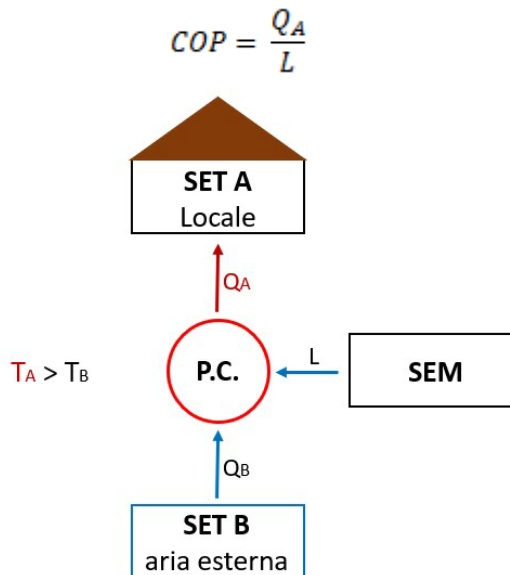
Mb"qsf t ub€jpopf "f of shf ydb"ef nbn"n bddi job"gsjhpsjg sb"p"qpn qb"ej"dbpsf "tj"n jt vsb"busbwf stp"vo"dpf ggdjof ouf ej"qsf t ub€jpopf "bejn f ot jpopbrñ"qbsj"brñsbqqpsup"usb"rñ"jogbrñ"uf "rñ"t qf t b" f of shf ydb/

Ubrñ"qbsbn f usp"ef tdsjwf "rñ"r vbrñ"uf sn pejobn jdb"ef nbn"qsf t ub€jpopf ;

–" **Macchina frigorifera** " . " rñ"FS" ) f of shz" f ggdjof ouz" sbujp" sbqqsf t f oub" jrñsbqqpsup" usb" rñi of shjb uf sn jdb"eb" tpusbssf " brñTFU" ) t f scbupj" ej" f of shjb" uf sn jdb" b" uf n qf sbwsb" jogf sjpsf " f " rñi of shjb" n f ddbojdb t qf t b" ) rñwpsp\*;



–" **Pompa di calore** " . " jrñDP Q' sbqqsf t f oub" jrñsbqqpsup" usb" rñi of shjb" uf sn jdb"eb" gposj f " brñTFU" b uf n qf sbwsb" t vqf sjpsf " f " rñi of shjb" n f ddbojdb t qf t b;

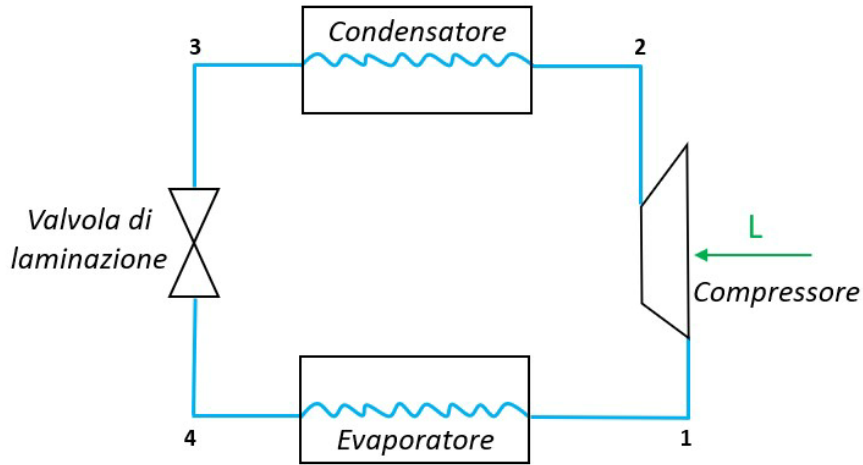


### 5.9.4.3) Principio di funzionamento e caratteristiche delle macchine frigorifere/pompe di calore a compressione di vapore

Kñhgro€jopbn f oup" ef nbn" n bddi job" gsjhpsjg sb"qpn qb" ej" dbpsf " b" dpn qsf ttjpopf " ej" wbaqsf " tj" cbt b" tvrn qbt t bhj"p"ej" gtf "ej"vo" gwjep"sf gsjh sbouf "brñ"ouf sop"ej"vo"djdp"ej" Dbsopu"di f -"jo"qbsf "ef j"dbtj-"à"jowf sjcjrñ/ M'jowf stjpopf " ef rñ djdp" qf sn f uf " jrñ evqjof " gro€jopbn f oup" ef rñ tjtuf n b-" qpn qb" ej" dbpsf " jo" jowf sop )sjt dbœbn f oup" f "n bddi job"gsjhpsjg sb"jo" f t ubf ") sbgsf t dbn f oup" /

Kñtjdsdvjup"à" dpt yw jup"eb"r vbwsp" f rñn f ouj;

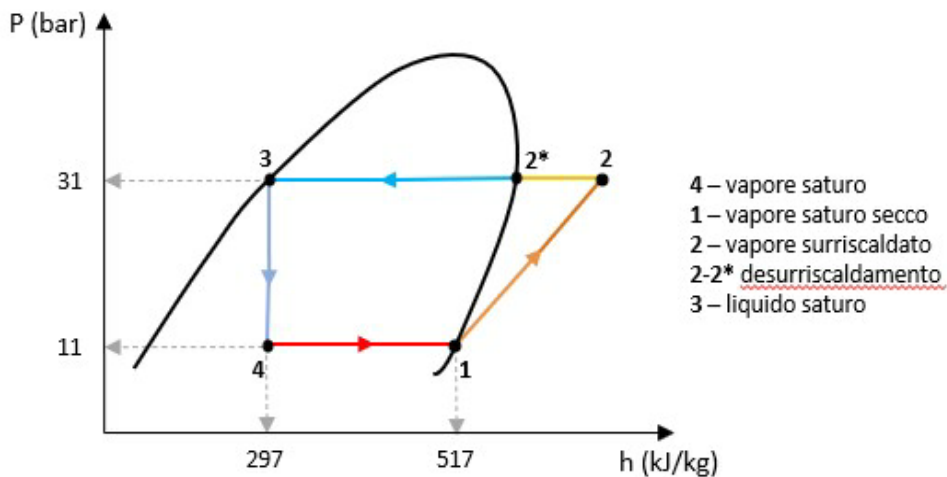
- Fwbqpsbupsf
- Dpn qsf ttpsf ")brjm f oubup"eb"n pupsf "f rfuusjdp"p"b"hbt\*
- Dpoef otbupsf
- Vbrmpria"ej"ran jobeipof



Qbsuf oep"ebnrii wqpsbupsf "jrtgvjep"sf gshf sbouf "tj"uspwb"of nrii dgtf "ej"wbqpsf "tbuosp")5\*-jo"r vftub"tf ef vjf of "tpusbup"dbpsf -"jrtgvjep" f wqpsb" f "qbtb"of nrii dpoiejepof "ej"wbqpsf "tbuosp"tf ddp")2\* < tvddf ttjvbn f ouf busbwf stb"jrtvbn qsf ttpsf "f "tj"dpn qsin f -"ra"qsf ttjpoef "bvn f oub" f "jrtgvjep" qbtb"of nrii dpoiejepoj" ej"wbqpsf tvssjt dbrabup" 3/" Of nrii"tuf q" tvddf ttjvp" brhdpoef otbupsf "qsin b"tj" ef tvssjt dbrab" f "qpj" dpoef otb"jo"r vbou"jm dbpsf "bddvn vrbup"ef w" f ttf sf "df evup" dpoef otboep"qbtb"of nrii dgtf "ej"jrtgvjep"tbuosp"4/"Kogof -"busbwf stb"ra vbrmpria"ej"ran jobeipof "f "tj" f tqboef -"ra"qsf ttjpoef "ejn jovjt df "f "upsob"of nrii dpoiejepoj" ej"wbqpsf "tbuosp")5\* bggodi è"qpttbsjdpn jodjbsf "jrtvdjdp/

Fttf oep" jrtvdjdp" jowf sycjrn" of rhdtp" ej" gvoejpobn f oup" eb" n bddi job" gshpsjg sb" nrii gf up" vujrn" tj" i b bnni wqpsbupsf ")f rfn f oup"jof sop\*"jo"r vbou"jrtgvjep"sf gshf sbouf "tpusb"dbpsf "brnbsjb"ef rhpdbfn"p"brnbdv b ej"n boebub"bj" dpsqj"t dbrabou" f "ra"tn brjt df "brhdpoef otbupsf ")f rfn f oup" f tuf sop\*" < of rhdtp"ej"qpn qb"ej"dbpsf tj"i b"nrii gf up"vujrn"brhdpoef otbupsf ")f rfn f oup"jof sop\*"jo"r vbou"jrtvdjdp" tpusbup"brnrii wqpsbupsf ")f rfn f oup f tuf sop\*"vjf of "df evup"brnbdv b"brnbdv b"busbwf stp"jrtvdjdp" otbupsf /

Trjvbn f ouf "tj" vujrn" dpn f "gvjep" sf gshf sbouf "nrii 43" di f "brnri" qsf ttjpoef "bun ptgf sdb" f wqpsb" brnri uf n qf sbuwsb"ej" djsdb". 63±D < wubvjb" f ttf oep"vob"uf n qf sbuwsb" usqqp"cbttb"qf s"ra"drjm bujejeipof "f tujwb-brnrii"ouf sop" ef rhtjtuf n b" jrtgvjep" rlvpsf sU" be" vob" qsf ttjpoef "n bhjpsf "ej" r vftub" bun ptgf sdb" dptjddi è" ra uf n qf sbuwsb"ej" f cprjeipof "tj"sjevdb/"Tj"sjqpsb"jrtvsgjdp"qsf ttjpoef "Q f oub"rjbi" ef nrii 43;



Gjttboep"ra"qsf ttjpoef "b"22" cbs-"nrii 43" f wqpsb"brnri"uf n qf sbuwsb"ej" djsdb"21±D" qpsboep"qpj"ra"qsf ttjpoef "b 42" cbs" dpoef otb"brnri"uf n qf sbuwsb"ej" djsdb"61±D/

M"n bddi jof "gshpsjg sf Qqpn qf "ej"dbpsf "b"dpn qsf ttjpoef "ej"wbqpsf "t pop" dnttjgdbcjrtjjo;

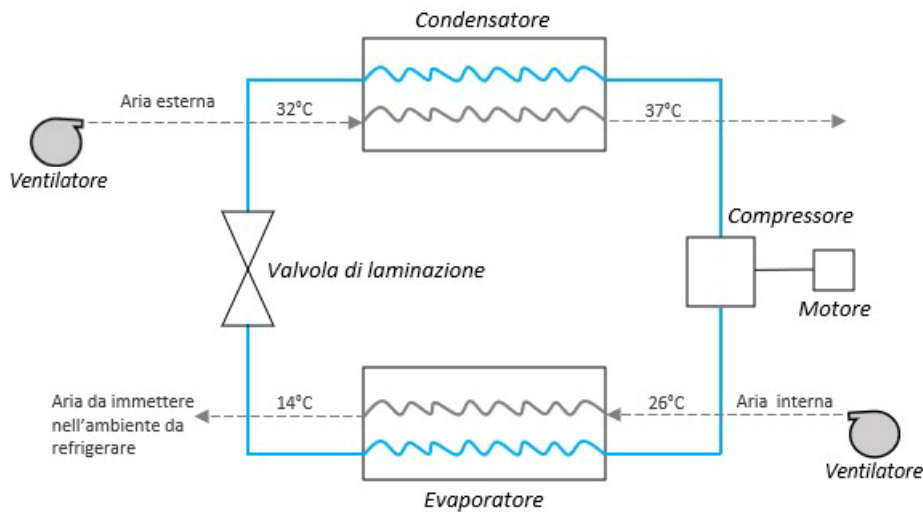
- **Macchina frigorifera/pompa di calore aria – aria;** f wqpsbjeipof "be"bsjb" f "dpoef otbeipof "be"bsjb<
- **Macchina frigorifera/pompa di calore acqua-aria/aria-acqua;** n bddi job" gshpsjg sb" dpo f wqpsbjeipof "be"bdr vb" f "dpoef otbeipof "be"bsjb"pwf sp"qpn qb"ej"dbpsf "dpo" dpoef otbeipof "be"bdr vb e" f wqpsbjeipof "be"bsjb<

- **Macchina frigorifera/pompa di calore acqua-acqua;** f wbqpsb€jpf "be" bdr vb" f " dpoef otb€jpf "be bdr vb<
- **Macchina frigorifera/pompa di calore geotermica;** n bddi job" gsjhpsjg sb" dpo" f wbqpsb€jpf "be bdr vb" f " dpoef otb€jpf " brh uf ssf op-" pwf sp" qpn qb" ej" dbrpsf " dpo" f wbqpsb€jpf " brh uf ssf op" f dpoef otb€jpf "be" bdr vb/

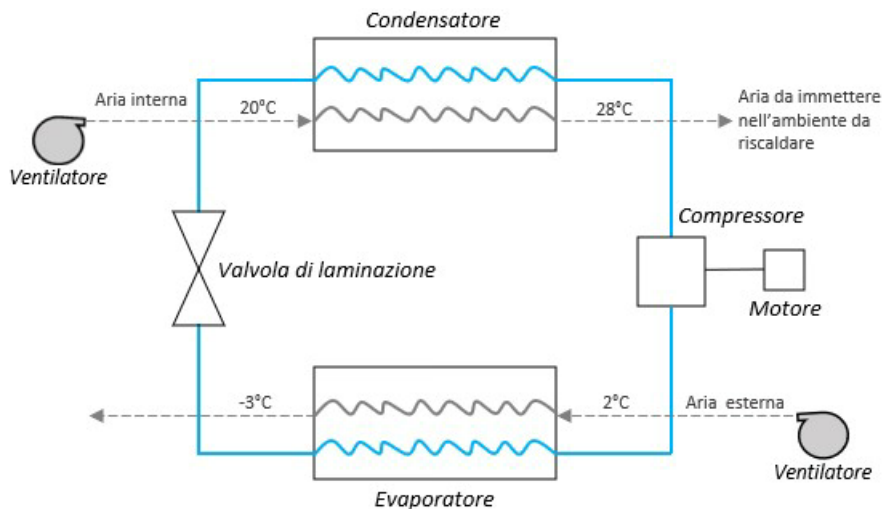
**5.9.4.3.1) Macchina frigorifera/pompa di calore aria-aria**

Mb" n bddi job" gsjhpsjg sb" qpn qb" ej" dbrpsf " bsb. bsb" vj€b " nbsj" tjb" dpn f " tpsf ouf " sf eeb" di f " dpn f tpsf ouf " dreb- of rhtf otp" di f " jrhgvejep" sf gsjh sbouf " f wbqpsb" tpusbf oep" dbrpsf " bntsbj" bntj wbqpsbupsf " f tvddf ttjwn f ouf " rvftub" f of shjb" uf sn jdb" vj of " sjbt djub" of nbsj" r vboep" dpoef otb/" È" jrhtbtp" ef j dirj bueupsj" bvupon j" ej" uqap" "n popc rddp" f " ej" uqap" "tqrj" tztuf n • vj€b" of j" ajddrj jn qjboj" ej sjt dreb n f oup" f " sbggsf t dbn f oup" ef j" rpdbrj" t johprj/

Of rthgvejpobn f oup" eb" n bddi job" gsjhpsjg sb" nli wbqpsbupsf " à" jof sop-" jrhdpoef otbupsf " f tuf sop-" jrhgvejep sf gsjh sbouf " f wbqpsb" tpusbf oep" dbrpsf " bntsbj" ef rthpdrfn")37±D\*-" r" r vbrf-" n pwin f ouub" eb" vo" wf oujrbupsf vj of " tqjoub" bntjof sop" ef nli wbqpsbupsf " -df ef " dbrpsf " -tj" sbggsf eeb" f " qbtb" eb" djsdb" 25±D\* f " vj of " jn n fttb" of rthpdrfn" eb sbggsf t dbrs /" Bobrphbn f ouf " -brhdpoef otbupsf " jrhgvejep" sf gsjh sbouf " dpoef otb" df ef oep" dbrpsf " bntsbj" f tuf sob di f " qbtb" eb" 43±D" b" 48±D/



Of rthgvejpobn f oup" eb" qpn qb" ej" dbrpsf " jrhdpoef otbupsf " jof sop-" jrhdpoef otbupsf " jof sop- jrhgvejep" sf gsjh sbouf " f wbqpsb" tpusbf oep" dbrpsf " bntsbj" f tuf sop-" r" r vbrf-" n pwin f ouub" eb" vo" wf oujrbupsf vj of " tqjoub" bntjof sop" ef nli wbqpsbupsf " -df ef " dbrpsf " -tj" sbggsf eeb" f " qbtb" eb" djsdb" 3±D" b" .4±D/ " Tvddf ttjwn f ouf " jrhgvejep" sf gsjh sbouf " dpoef otb" ef " jrhdpoef otbupsf " bntsbj" bntjof sop" ef rthpdrfn" di f " qbtb" eb" djsdb" 31±D" b" 39±D/

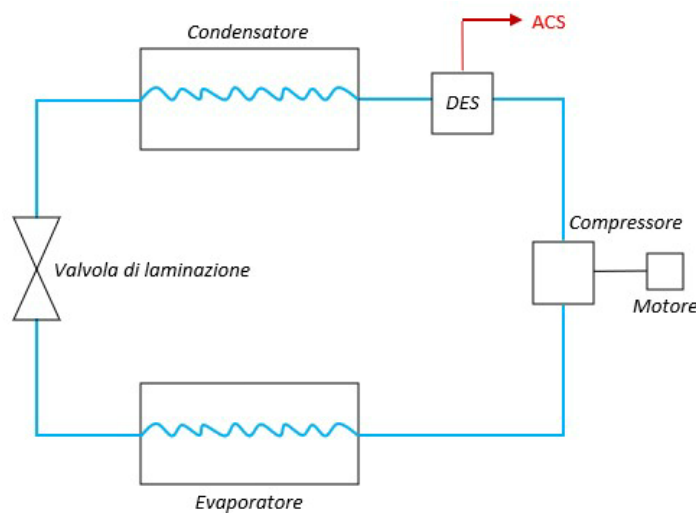


Mb" n bddi job" gsjhpsjg sb" wb" jo" tpgf sf oeb" of nli" dpoef€jpoj" jo" dvj" vj" à" r" n bhhjpsf " of df ttjw" ej" fttb-" pttjb bntbn f oubsf " ef nli" uf n qf sbwsb" ef nbsj" f tuf sob< bobrphbn f ouf " vbrf" qf s" jrhgvejpobn f oup" eb" qpn qb" ej" dbrpsf " jo" r vboep" r" qsf t b€jpf " ef nli" n bddi job" tj" sjevdf " brtejn jovjsf " ef nli" uf n qf sbwsb" f tuf sob/

Of rñ dbtp" ej" qpn qb" ej" dbpsf" joguaj-" rñ" tdf rñ" ef rñsb" f tuf sob" dñ f" tpsf ouf" gsf eeb" à" r vf rñ gsf r vf ouf n f ouf "qjò"bepubub-"qsf tf ouboep"jñwboubhñp"ej" f ttf sf "hsbwjub" f "tf n qsf "ejt qpojc jñf" rñ" t woubhñp ejqf oef "ebñ" wbsjbc jñu" ef rñ" f n qf sbw sb" di f " ef uf sn job" b" t vb" vñ" wbsjbc jñp" ef rñ DP Q" K" jowf sop" jopnsf - vtboep" rñsb" f tuf sob" dñ f " tpsf ouf" gsf eeb" qpusf ccf " wf sigdbst" jñ" qspc rñn b" ef rñ c sjobn f oup; " tf " rñ" t vqf sgdj f ef rñ wbpsupsf " t j" uspw" be" vob" f n qf sbw sb" jogf sjpsf " b" 1 ÷ D- " jñ wbps" e" bdr vb" qsf tf ouf " of rñsb" t prj e jdb- ef qpt juboept j" t pup" gsn b" ej" c sjob" t vñ" cbuf sjb" ej" t dñ c j p- " pt usf oep" dpt é rñ" t dñ c j p" f n jdp" È" of df ttbsj p jo" brñ dbtp" jot brñsf " vob" sf t j t uf oeb" f rñ usjdb" p qqv sf " f g f uwbsf " rñ" t c sjobn f oup" ef rñ" cbuf sjb" busbwf st p rñjowf st j pof " f n qpsbof b" ef rñ t f ot p" ej" qf scpssf oeb" ef rñ gñjep" gñhpsjg sp- " jo" n pep" di f " rñ wbpsupsf " gyo hb n pn f oubof bn f ouf " eb" dpoef ot bupsf /

### 5.9.4.3.2) Gruppi frigoriferi a recupero (parziale o totale)

M" n bddi jof " gñhpsjg sf " f tbn jobuf " qptt pop" bw sf " vo" vñf sjpsf " qsf t ubéj pof -" pttjb" r vf rñ" ej" sf dvqf sbf rñ of shjb" f n jdb" di f " jo" sf hñ f " f t u j w p" brñ dpoef ot bupsf " wj f of " t prjbn f ouf " qf st b" f " t n brñub" brñsb" f tuf sob/ Tj" qbsrñ" ej" hsqqj" gñhpsjg sj" b" sf dvqf sp" qbéjbrñ" r vboep" wj f of " sf dvqf sbw" t prñboup" rñ of shjb" f n jdb" epw lb brñef tvssjt dbrèbn f oup" ef rñ gñjep" sf gñhf sbouf " ) qsjn b" di f " dpoef ot j\*" / Ko" r vf t up" dbtp" usb" jñ dñ qsf tt psf " f " jm dpoef ot bupsf " wj" à" vo" vñf sjpsf " t dñ c j bupsf " ) ef tvssjt dbrèbupsf \*" di f " usbt g sjt df " qpj" jñ dbrpsf " sf dvqf sbup" be" vo djsdvjup" ej" bdr vb" dbrèb" t bojbsjb/

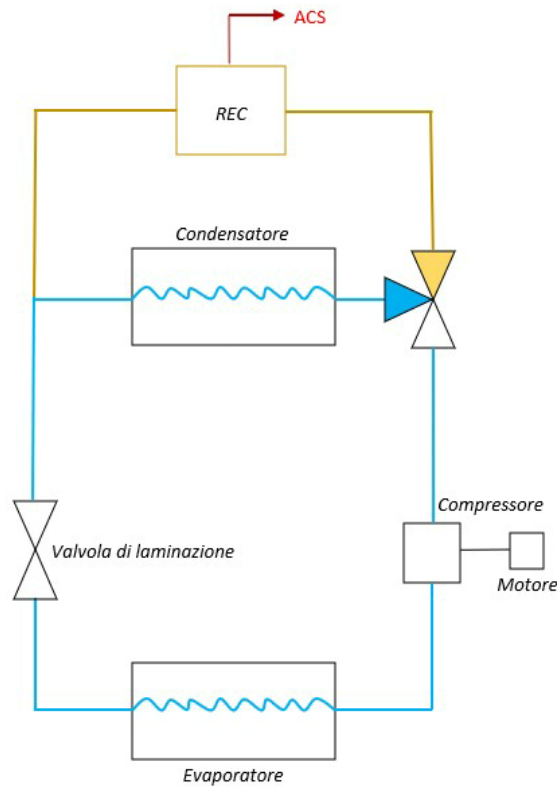


Kñhsvqpp" gñhpsjg sp" b" sf dvqf sp" upbrñ- " of rñ t f ot p" qspqsjp" ef rñ f sn jof -" sf dvqf sb" dñ q rñubn f ouf " jñ dbrpsf sjrñt djbu" ebrñ gñjep" sf gñhf sbouf " evsbouf " jñ ef tvssjt dbrèbn f oup" f " rñ" dpotf hvf ouf " dpoef ot béj pof /" Dj, " à qpt tjc jñ" busbwf st p" vo" t j t u f n b" ej" sf hprñéj pof " bvupn bujdb" dpo" wbmprñ" b" 4" wj f -" dpo" rñ" t f dpoeb" wj b" w st p" jm dpoef ot bupsf " f " rñ" f sèb" ejsf ub" brñsf dvqf sbupsf /

Of rñ dbtp" jo" dvj" opo" tjb" of df ttbsj p" sf dvqf sbf " jñ dbrpsf -" t j" di jvef " rñ" f sèb" wj b" f " jñ gñjep" sf gñhf sbouf " t f hvf " jm qf scp st p" usbejéj pobrñ- " t j" ef tvssjt dbrèb" f " dpoef ot b" jo" dpsjt qpoef oeb" ef rñ dpoef ot bupsf " t n brñf oep" jñ dbrpsf brñsb" f tuf sob/

Tf " jowf df " à" pqqpsuop" sf dvqf sbf " jñ dbrpsf " hf of sbup" ebrñef tvssjt dbrèbn f oup" f " ebñ" dpoef ot béj pof -" t j di jvef " rñ" t f dpoeb" wj b- " jñ gñjep" sf gñhf sbouf " wj f of " n boebup" ejsf ubn f ouf " brñsf dvqf sbupsf " epw" t j" ef tvssjt dbrèb f " dpoef ot b" f " rñ" dpotf hvf ouf " f of shjb" f n jdb" wj f of " qpj" jowjbu" brñ djsdvjup" ej" bdr vb" dbrèb" t bojbsjb/

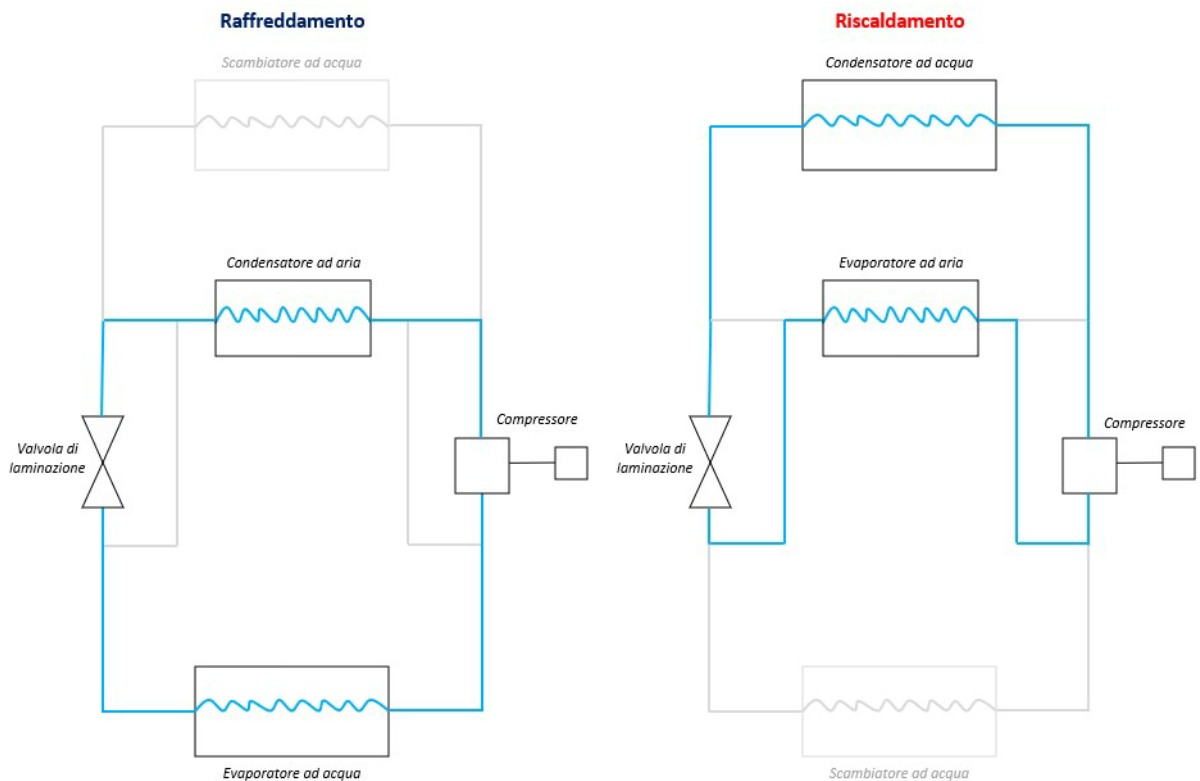




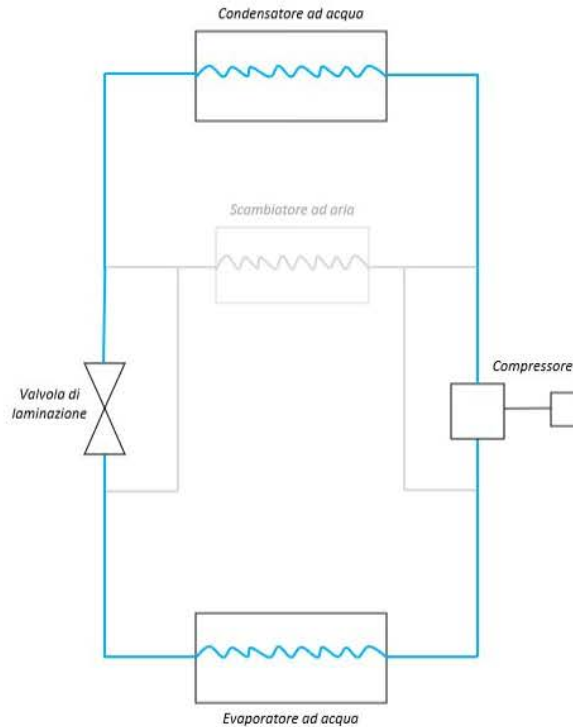
### 5.9.4.3.3) Sistemi polivalenti

K'tjtuf n j'qprjwbrfouj'i boop"ra"dbsbuuf sjt udb"ej'sjvt djsf "b"qspevssf "jo"dpouf n qpsbof b-"brn"pddpssf oEb-"bdr vb dbreb" f e"bdr vb"sf gsjhf sbub/"ko"r vf t up"dbt p"vj"à"vo"epqajp" f gf up"vujrnf" rñ ggjdf oEb" f of shf udb"ef rna"n bddi job bvn f oub"opuf vprn f ouf /

Tpop"dpt ujuvj"eb"usf "t dbn cjbupsj-"r vf rpa"df ousbrn"gyoEjpop"be"bsjb-"n f ouf "j"evf "brn" f t usf n ju"be"bdr vb/ Ej"cbtf "t pop"n bddi jof "gsjhpsjgf sf "bdr vb. bsjb" f "qpn qf "ej"dbpssf "bsjb. bdr vb-"pttjb"t pusbhpop"dbpssf brn"bdr vb" f "ra"t n brjt dpop"brn"bsjb" f t uf sob"jo" f t ubuf <t pusbhpop"dbpssf "brn"bsjb" f t uf sob" f "ra"df epop"brn"bdr vb jo"jowf sop/"Rvboep"tvcf ousb"qprj"ra"gyoEjpop" qprjwbrfouf "vjf of "t qf oup"ra"t dbn cjbupsf "df ousbrn-"be"bsjb-"di f gyohf "eb"dpof otbupsf "jo" f t ubuf "f e" f vbqpsupsf "jo"jowf sop-"f "sf t ubop"bujuvj"j"evf "t dbn cjbupsj"be"bdr vb-dptjddi è"wf ohb"qspepub"jo"dpouf n qpsbof b"bdr vb"dbreb" f "gf eeb/



### Raffreddamento + riscaldamento



#### 5.9.4.4) Confronto tra macchine frigorifere/pompe di calore elettriche e a gas

Ma la bddi jof "gshpsjg sf Qapn qf "ej"dbpsf "b"dpn qsf ttjpod "ej"wbqpsf "b"hbt "HI Q")Hbt "I f bulQvn q\* e jggf sjt dpop "eb"r vf mfi "f rhujsdi f "FI Q")Frhdusjd "I f bulQvn q\*"qf s"jrtgubp"di f "jrtgubp qsf ttjpsf "opo"à"n ptt p f rhujsdbn f ouf -"n b"eb"vo"n pupsf "b"dpn cvt ujpof "jof sob"brjm f oup"eb"hbt "obuvsbrf/

Krtqsjodjapp "ej"gyoEjpodn f oup"sf t ub"jowbsjbu-"n b"rhn" bddi jof "gshpsjg sf Qapn qf "ej"dbpsf "b"hbt "qsf tf oupob vo"vnt sjpsf "dbsbuf sjt ydb-"pwwf sp"r vf nio "ej"qpu f s"sf dvqf sbf "f "t gvuubsf "rhn of shjb"uf sn jdb"ef sjwbouf "ebm sbggf eebn f oup"ef rhn pupsf "b"dpn cvt ujpof "jof sob/

Rvf t up"dbpsf "sf dvqf sbup"qvi "f ttf sf "vujgEubp"bj"joj"ef mndr vb"dbreb"tbojubsjb-"pqqv sf -"jo"sf hjn f jowf sobrf-"t gvuubp;

- jo "maniera diretta": "tpn n boepm"b"r vf mfi"di f "jrtgubp"uf sn pwf upsf "sjrt djb"dpof ot boep" f "r vjoej"t bsù jowjbu"ejf ubn f ouf "bntv of eb"bj"joj"ef rhtjdbreb n f oup")epqajp" f gf up"vujrnf"<
- jo "maniera indiretta": "qf s" f t n qjp"qf s"sjt dbrabsf "rhtjdbreb" f t uf sob")t pshf ouf "gff eeb\*"eb"dvj"qpi"jrtgubp sf gshf sbouf "t pusbssù"dbpsf "bntv wbqpsbupsf /"ko"r vf t up"dbt p"bv n f oub"rta"qsf t ubEjpod "ef mndr"n bddi job"jo r vboupt"pusbf "dbpsf "be"bsjb"bwf ouf "uf n qf sbuwsb"qjò" f rfwub"ej"r vf mndr" f t uf sob/

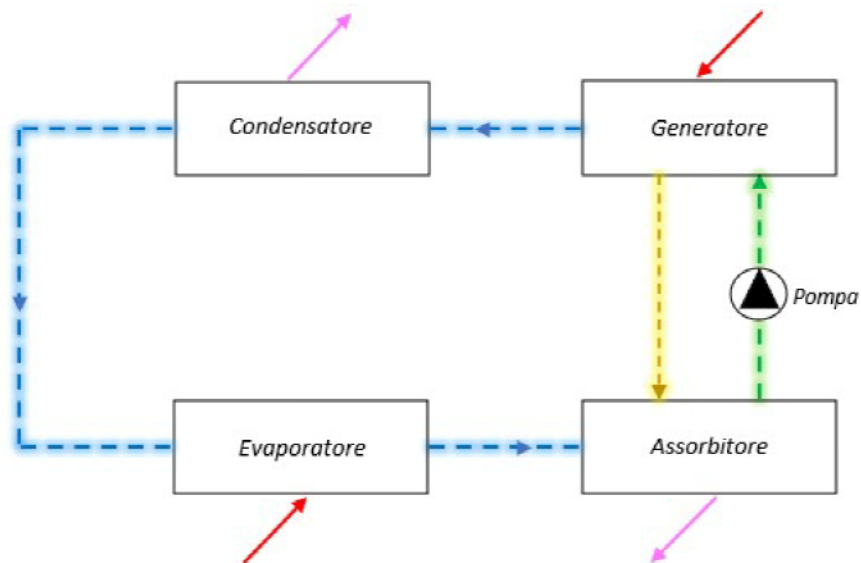
#### 5.9.4.5) Principio di funzionamento e caratteristiche delle macchine frigorifere/pompe di calore ad assorbimento

Ma la bddi jof "gshpsjg sf Qapn qf "ej"dbpsf "be"bt tpscjn f oup"BI Q")Bctpsqujpo" I f bulQvn q\*"tj"ejggf sf oEjpod"eb r vf mfi"b"dpn qsf ttjpod "ej"wbqpsf "jo"qsjn p"mphp"qf s"j"dpn qpod ouj-"opo"à"qsf tf ouf "jrtgubp qsf ttjpsf -"n b"vo bt tpscjupsf "f "vo"hf of sbupsf /"KrtqEjpodn f oup"jopn"sf "à"cbt bu"t vntv"tj"vob"n jt df rta"ej"sf gshf sbouf ")t pmpu- tptuboE"qjò"vprbujrnf" f t pwwf ouf /

Bodi f "jo"r vf t up"dbt p"tj"qbsuf "ebmfi wbqpsbupsf -"jrtg gshf sbouf "f wbqpsb"t pusb of eep"dbpsf "f "vjf of "qpi bt tpscjup"ebmfi"t pwejpod "dpodf ousub"ej"t pwwf ouf ")t pwejpod "sjdd"ej"t pwwf ouf "f "qpwf sb"ej"t pmpu\* bntv"t tpscjupsf /"Mb"sf bEjpod "ej"bt tpscjn f oup"ef rht pwwf ouf "à" f t puf sn jdb-"pttjb"hf of sb"dbpsf -"qf sboupt"bsù of df t tbsjp"sbggf eebf "rht tpscjupsf "bggodi è"rta"n bddi job"gyoEjpod"dpssf ubn f ouf /"Tvddf ttjvbn f ouf -"rta t pwejpod "jo"gtf "rjm vjeb"ej"t pmpu"qjò"t pwwf ouf "vjf of "n boebub"brhnf of sbupsf -"busbwf st p"vob"qpn qb"bEjpod eb"vob"qjddp"r vboujù"ej" f of shjb"n f ddbojdb-"epwf "t bsù"qpi"sjt dbrabub/"Mf of shjb"uf sn jdb"qvi "f ttf sf "gsojbu brhnf of sbupsf "n f ejbouf "vo"csvdjbpsf ")b"jbn n b"ejf ub\*"p"usbn ju f "vo"gvjep"uf sn pwf upsf ")brjm f ouEjpod joej f ub\*/"Ev or vf -"rta"n jt df rta"brhnf of sbupsf "sjt dbraboetj"tj"t djoef ;"jrtg gshf sbouf -"f ttf oep"qjò"vprbujrnf- f wbqpsb" f t f hvf "jrtopsn brfi"djdp" gshpsjg sp-"hjvohf "brtdpoef ot bupsf -"dpof ot b" f "sjrt djb"dbpsf <jrt pwwf ouf upsob"bntv"t tpscjupsf "dptjddi è"qptt b"sjdpn jodjbsf "jrtjdrp/

Nel funzionamento invernale da pompa di calore, il fluido di lavoro all'evaporatore sarà riscaldato mediante energia termica sottratta all'ambiente esterno e l'effetto utile si avrà al condensatore in quanto sarà ceduto calore all'utenza. Inoltre può essere possibile sfruttare anche il calore rilasciato all'assorbitore.

Nel funzionamento da macchina frigorifera l'effetto utile si ha all'evaporatore, il fluido refrigerante evapora sottraendo calore all'utenza e smaltisce poi il calore all'aria esterna condensando.



Talvolta, possono essere costituite anche da due generatori, il primo generatore lavorerà a pressione e temperatura maggiori rispetto al secondo. In questo caso si parla di macchina bistadio, quando la miscela viene riscaldata, non tutto il refrigerante riesce ad evaporare nel generatore, quindi, con il primo generatore evaporerà una parte di refrigerante, con il secondo evaporerà invece la restante. In tal modo migliora la prestazione globale della macchina.

#### 5.9.4.5.1) Tipologie di miscela

È possibile utilizzare le seguenti tipologie di miscela:

##### 1) *Acqua (refrigerante/soluto) + Bromuro di litio (solvente)*

Vantaggi:

- economica;
- esente da problemi di tossicità ed infiammabilità.

Svantaggi:

- non può essere usata a basse temperature in quanto l'acqua a 0°C solidifica;
- è necessario controllare correttamente la temperatura di esercizio all'assorbitore, in quanto, qualora salisse troppo, porterebbe alla cristallizzazione della miscela ed al blocco del flusso nella pompa;
- raffreddamento all'assorbitore con acqua proveniente da torre evaporativa;
- può essere usata principalmente come macchina frigorifera.

##### 2) *Ammoniaca (refrigerante/soluto) + Acqua (solvente)*

Vantaggi:

- non presenta problemi di cristallizzazione;
- idonea a basse temperature;
- possibilità di raffreddamento all'assorbitore ad aria.

Svantaggi:

- tossica, infiammabile e corrosiva (non può entrare in contatto con alcuni materiali, come ad es. il rame);
- quando la miscela al generatore viene riscaldata, oltre all'ammoniaca evapora anche parte dell'acqua generando così del vapor d'acqua che non potrà giungere al condensatore, ma dovrà essere eliminato.

### 5.9.5) Circolazione dei Fluidi

2 Qpn qf "ej"djcdprbEjpopf /

Modr vb"ej"sbgsf eebn f oup-"of j"hsvqqj"gsjhpsjg sj"sbgsf eebuj"be"bdr vb-"ef wf "djcdprbsf "jo"r vboup"dpoeub  
tpup"qsf ttjpopf "pqqvsv"qf s"pqf sb"ej"qpn qf <tf n qsf "qf s"pqf sb"ej"qpn qf "of rtdbt p"ej"dpoe ot bupsj" f wbpsbjvj  
f "upssj"ej"sbgsf eebn f oup/

Modr vb"sf gsjh sbub"ef wf "djcdprbsf "vojdbn f ouf "qf s"pqf sb"ej"qpn qf /"Uf of oep"dpoup"ef rta"uf n qf sbwsb  
ef modr vb-"ef rta"dbevub"ej"uf n qf sbwsb" )djsdb" 6" ±D\* f" ef rta"wsbwf stbn f oup-"sjt qf ujbwn f ouf "-"ef m  
dpoe ot bupsf "f"ef rta"wbqpsbupf "-"rta"qpu f oEb"bttpscj b"epwvf ccf "f ttf sf "dpouf ovub"jo"20261"ef rta"qpu f oEb  
gsjhpsjg sb"sf t b"qf s"rta"qpn qf "ej"sbgsf eebn f oup"ef jo"20211"qf s"rta"qpn qf "ef modr vb"sf gsjh sbub/

Qf s" r vboup"dpodf sof "dbsuuf sjt ujd f "f e" bddf ttpsj" ef rta"qpn qf "tj" sijn boeb" bnta"b" %Impianto di  
Riscaldamento%"brtaqvoup"sf rtaujwp"bnta"DjcdprbEjpopf "ef rta"Grnjep"Uf sn pwf upsf /

Qf s" r vboup"dpodf sof " rta"qpn qf "jn qjf hbuf" qf s" jthsf gsjh sbouf "f" qf s" rta" tpmEjpopf "-"of j" hsvqqj" be  
bttpscjn f oup-"tj"ef wpop"vtbsf "qpn qf "f sn f ujd f "tqf djbrj"di f "gdoop"qbsuf "jouf hsbouf "ef rthsvqqp/

3\* Wf oujrbupsj/

Of hijljin qj bou"ej"drjm bujEjpopf "b"wu(bsjb"j"wf oujrbupsj"jn qjf hbu"qf s"rta"ejt usjcvEjpopf "-"qf s"rta"sjqsf tb" f "qf s  
rta" f tqvrtjpopf "ef rta"bsjb" f "of hijljin qj bou" dpo" bqqbsf ddi j" rtdbrj b" wf oujrbupsj" )wf oujrbouf upsj\*"epvf "phoj  
bqqbsf ddi jp" ejt qpopf "ej" vo" qspqsj" wf oujrbupsf "-"pruf" b"rhwf oujrbupsf "df ousbrf" of rtdbt p"jo" dvj" tjb" qsf vjt ub  
rta" n jtjpopf "ej" bsjb" qsjn bsjb" usubub" ef wpop" f ttf sf "vujEjpopf" wf oujrbupsj" sjt qpoef ouj" bnta" opsn f "uf dojdi f  
tf dpoe" r vboup"sjqpsub" of rta"b" %Impianto di Riscaldamento%"brtaqvoup"sf rtaujwp"bnta"DjcdprbEjpopf "ef m  
Grnjep"Uf sn pwf upsf /

Of hijljin qj bou"be"joevEjpopf "j"rhwf oujrbupsf "df ousbrf"ef wf "jopruf" gpsjjsf "bsjb"b" qsf ttjpopf "tvgsdjf ouf n f ouf  
f rfwub"qf s"vjodf sf "rta"sf tjt u f oEb"of j"dpoeuj"qf sdpstj"be"brta"wf rtdjw-"f "qf s"ef uf sn jobsf "rta"gf up"joevujwp  
vt df oep"ebhijl"bqqptj"j" f upsj/

Mb"qpu f oEb"bttpscj b"wsjb"pwjbn f ouf "tf dpoe"rta"qpsub" f "qsf wbrfoEb"of df ttfbsj "jo"jn qj bou"b"wu(bsjb  
rta"qpu f oEb"bttpscj b"epwvf ccf "f ttf sf "dpouf ovub"jo"vo"wbpsf "ef rta"psejof "ej"2061"ef rta"qpu f oEb"gsjhpsjg sb/

### 5.9.6) Distribuzione dei Fluidi Termovettori

2 UvcbEjpoj

Qf s" r vboup"dpodf sof "j"rhwf oujrbupsf "df ousbrf"ef wf "jopruf" gpsjjsf "bsjb"b" qsf ttjpopf "tvgsdjf ouf n f ouf  
bnta"Ejt usjcvEjpopf "ef rta"Grnjep"Uf sn pwf upsf /"Qf s" r vboup"dpodf sof "rta"drjm bujEjpopf "f t ujb"rta"sf uf "ej"uvcbEjpoj  
dpo qsf oef ;

b\* rta"uvcbEjpoj"ef rta"df ousbrf"gsjhpsjgdb<

c\* rta"sf uf "ef modr vb"ej"sbgsf eebn f oup"of rtdbt p"jo"dvj"j"rthsvqqp"gsjhpsjg sp"tjb"sbgsf eebuj"be"bdr vb<

d\* rta"uvcbEjpoj"ej"bnta"dbjn f oup"bnta"cbuf sjf "ef j"hsvqqj"dpoeEjpopupsj<f "-"of rtdbt p"ej"bqqbsf ddi j"rtdbrj<

e\* rta"sf uf "ej"ejt usjcvEjpopf "ef modr vb"sf gsjh sbub-"di f "dpo qsf oef ;

. rta"sf uf "psjEjpopubrta"qsjodjqrta<

. rta"dpooof "n pouboj<

. f wf oubrj"sf u"psjEjpopubrta<

. hijljin bnta"dbjn f ouj"bj"t johprj"bqqbsf ddi j"rtdbrj<

f \* rta"sf uf "ej"t djsdp"ej"wf oubrj"dpoe ot bEjpoj<

g\* rta"sf uf "ej"t ghp"ef rta"bsjb/

Ej" sf hprta" rta"uf n qf sbwsb" ef modr vb" sf gsjh sbub" di f "brjm foub" rta"cbuf sjf "sbgsf eebuj" ef j" hsvqqj  
dpoeEjpopupsj" à" qjò" cbttb" ej" rvf rta" ef modr vb" di f "brjm foub" hijljin bqqbsf ddi j" rtdbrj" r vbrpsb" bnta  
ef vn jejjdbEjpopf "ef j"rtdbrj"tf swj"eb"brj"bqqbsf ddi j"tj"qspwvf eb"dpò"bsjb"qsjn bsjb<"jo"brtdbt p"vj"t pop"sf u  
tf qbsuf "-"b"uf n qf sbwsb"ejwf stb/

M"sf u"ej"ejt usjcvEjpopf "qpttpop" f ttf sf ;

. b"5"ucj"ej"dvj"evf "qf s"j"rhwf oujrbupsf "df ousbrf"ef wf "evf "qf s"j"rhwf oujrbupsf eebn f oup\*<

. pqqvsv "b"evf "ucj"brjm foub"bnta" sobujvbn f ouf "-"dpo"bdr vb"dbreb" f "dpo"bdr vb"sf gsjh sbub-"tf dpoe" rta  
tubhjpoj/

Gr sn f "sf tuboep"rta"qsf tdsjEjpoj"ej"dvj"brtaqvoup"bnta"b" %Impianto di Riscaldamento%"qvoup"sf rtaujwp"bnta  
Ejt usjcvEjpopf "ef rta"Grnjep"Uf sn pwf upsf "-"rta" uvcbEjpoj" ej" bdr vb" gsf eeb" qf s" jthsbgsf eebn f oup" ef rthsvqqp  
gsjhpsjg sp" f " rta" uvcbEjpoj" ej" bdr vb" sf gsjh sbub" ef ccpop" f ttf sf "dpjcf oub" bgsjodi è" rta"dr vb" hjvohb" bhrj  
bqqbsf ddi j"bnta"uf n qf sbwsb"qsf vjt ub" f "opo"tj"wf sjdi jop"gf opn f oj"ej"dpoe ot bEjpopf <w"jopruf"bqqrbub"vob

wbrjeb"cbssjfb"brhwbqpsf-"tf oeb"tpwvEjpoj"ej"dpoujovju-"poef"fwjbsf"di f"ra"dpoeftobEjpop"tj"wfsgjdi j"tvnrb  
tvqfsgjdf"efj"lwcj"dpodpotf hvf ouj"eboofhhjbn f ouj"bj"lwcj"tuf ttj"fe"brn"dpjcfoubEjpop /  
Uvcbejpoj"qbsjdrbsj"tpop"rvf m"jn qjf hbu"qf s"jrdprnhbn f oup"brn"cbuf sjf "be"ftqbotjpop"ejsf ub"jo"dvj  
djsdrn"jrgvjep"gjhsjhf op"jn vjep-"gsojuf"ej"sf hpra"ebj"qspeupsj"ef hrij"bqqsdf ddi j"hj"qsf djsdbuf-"efccpop  
ftt sf;"b"qf sf ub"uf ovub-"dpjcfoub"ft"tv"gdjdf ouf n f ouf"ftatjdi f"bgjodi è"rn"vjcsbejpoj"ef rthsvqq"opo"of  
dbvtjop"ra"spuwsb/

### 3 DbobriEjpoj/

Tbrv"jrdtbt"jo"dvj"tj"jn qjf hi jop"bqqsdf ddi j"rpdbrj"b"wf oujrbEjpop")wf oujrdpovf upsj\*"tf oeb"bqqsps"ej"bsjb  
qsjn bsjb-"rn"sf u"ej"dbobri"lef wpop"qf sn f uf sf ;

- 2\* of hrijjn qjbouj"b"wu(bsjb;
  - . ra"ejt usjcvEjpop"ef m"bsjb"usbubub<
  - . ra"sjqsf tb"ef m"bsjb"eb"sjdsdrbsf" f Op"ftqf mnsf /
- M"dbobriEjpoj"ej"ejt usjcvEjpop"qpttpop"ftt sf "dptujwuf ;
- b\* eb"vo"vojdp"dbobri<
- c\* eb"evf"dbobri"dpof"uf sn jobri"qf s"ra"n jt df raEjpop <
- d\* eb"evf"dbobri"ft qbsbj<

3\* of hrijjn qjbouj"dpobqqsdf ddi j"rpdbrj"b"wf oujrbEjpop;"ra"ejt usjcvEjpop"ej"bsjb"qsjn bsjb/

4\* of hrijjn qjbouj"dpobqqsdf ddi j"rpdbrj"be"joevEjpop;"brnb"wf rpdjw"qf s"rn n jttjpop"ef m"bsjb"qsjn bsjb  
eftjobub"brsteb"ef uf sn jobsf"rn"gf up"joevujwv/

Qf s"di "di f"dpodf sof"rn"dsbuf sjtjdi f"ef m"dbobriEjpoj"ef"ef m"cpddi f"ej"jn n jttjpop"ft"ej"sjqsf tb"tj  
sjn boeb"brn"bsjdrn"mpianto di Riscaldamento"qvoup"sf ruywv"brn"Ejt usjcvEjpop"ef r"gvjep"uf sn pwf upsf /

K"dbobri"ejt usjcvEjpop"ef m"bsjb"efccpop"ftt sf"dpjcfoub"of j"usbuj"qf sdpstj"jo"bn cij ouj"opo"drjn byEjbu  
qf s"fwjbsf"bqqsuj"p"ejtqf stjpoj"ej"drbsf <j"dbobri"di f"dpoeubop"bsjb"gf eeb"efccpop"ftt sf"dpjcfoub  
bodi f"of j"rpdbrj"drjn byEjbu" f"dpn qrfubuj"dpobssjfb"brhwbqpsf"brn"tdpq"ej"jn qf ejsf" g opn f ojj"ej  
dpoeftobEjpop"di f"prnsf"lup"eboofhhjbn"dbobri"tuf ttj"fe"ra"dpjcfoubEjpop /

Ej"n bttjn b"rn"bsjb"opo"ef wf"ftt sf"jn n fttb"b"uf n qf sbwsb"n jopsf"ej"24"±D"p"n bhjpsf"ej"27"±D"sjtqf up  
brn"uf n qf sbwsb"bn cij ouf /

## 5.9.7) Apparecchi per la Climatizzazione

### 2 Hsvqqj"ej"usbubn f oup"ef m"bsjb")dpoejEjpopupsj\*/

Tpop" hrijl bqqsdf ddi j-"brn"ddjbu"brn"sf u"ej" bdr vb" dbreb" f"ej" bdr vb"sf gsjhf sbub-"of j" r vbrj"bwj of"jm  
usbubn f oup"ef m"bsjb-"tj"r vf m"ef tjobub"brn"drjn byEjbuEjpop"ef j"rpdbrj"of hrijjn qjbouj"b"wu(bsjb-"tj"r vf m  
dptjeef ub"qsjn bsjb"jn qjf hbu"of hrijjn qjbouj"dpobqqsdf ddi j"rpdbrj/

K"thsvqq"ej"usbubn f oup"dpn qsf oef ;

- . gnsj<
- . cbuf sjb-"p"cbuf sjf-"ej"qsf" f Op"qptulsjt dbreb"n f oup<
- . ejtqptjw"ej"vn jejgdbEjpop <
- . cbuf sjb-"p"cbuf sjf-"ej"sbgsf eebn f oup"ef vn jejgdbEjpop <
- . wf oujrbpsf-"p"wf oujrbpsj"qf s"jrn pwjn f oup"ef m"bsjb/

Tf"eftjobub"b"tf swjsf"ajò"epof")hsvqq"n vrgEjpop"rthsvqq"qpus"buwbsf"evf"ejwf stj"usbubn f ouj"ef m"bsjb  
f e"brjn f ousf"j"wsj"dsdvju"ej"dbobri"qsf vjb"n jt df raEjpop"brn"ohsftt p"n f ejbouf"dpqqj"ej"tf ssoef /

Tf"eftjobub"b"tf swjsf"vo"jn qjbou"b"epqqj"dbobri"ra"n jt df ra"ef m"bsjb"qsf rfwlb"ebj"evf"dbobri"bwf ssj  
n f ejbouf"dbttf uf"n jt df rousdj"uf sn jobri/

Ef j"gnsj"pddpsf"tbcjrsf"jrhshbep"ej"gnsbEjpop"sjdi jftup"di f"qvi"ftt sf"bttbj"tqjoup"of j" dptjeef ujj"gnsj  
bttpruj/

K"gnsj"ef wpop"qfuf s"ftt sf"sjn pttj"fe"bqqrjbu"dpogdjru"ft"of"ef wf"qf tdsjwf sf"ubttbuwb"n f ouf"ra  
qf sjejdb"qvrjeb-"p"tptujwEjpop /

M"cbuf sjf"efccpop"bwf sf"ra"qfuf oeb"of dfttbsjb"uf of oep"dpoup"ej"vo"bef hvbup"gpupsf"ej"%qpsdbn f oup%  
f"ef wpop"ftt sf"epub"ej"pshboj"ej"jousdf ubEjpop" f"ej"sf hpraEjpop /

K"tdpn qrfntt"ej"vn jejgdbEjpop"qvi"ftt sf"ef ruyq"be"vhf m"jof cvrjEjupsj"brjn f ouj"ejsf ubn f ouf"eb"vob  
dpoeub"jo"qsf ttjpop-"pqqs"vn jejgdbEjpop"bejbcubjdb"dpobdr vb"qsf rfwlb"eb"vob"cbdjof m"brn"ouf sop"ef m  
hsvqq"ft"qjoub"dpovob"qpn qb"be"i pd/

Ko"brtbtbt"ef wf"ftt sf"stp"bhv wprn"rtdftt"bhrijlvhf rjif e"brn"cbdjof m"qf s"rn"joejtqf otbcjrij"paf sbEjpoj  
qf sjejdi f"ej"qvrjeb/

Of rtdbt"ej"jn qjf hp"ej"wbqpsf"vjwv-"r vf tuf"ef wf"ftt sf"puf ovup"eb"bdr vb"ftf ouf"eb"r vbrjbtj"hf of sf"ej

beejuvj/"K"dpssjtqpoef oEb"be" f wf ouwbrijt f ssboef -"bvupn bujdi f "p"n bovbrij"ef wf "f ttf sf "di jbsbn f ouf "joejdbub  
ra"qptjEjpop "ej"di jvtp"fe"bqf sup/

B"n pouf "fe"b"wbm"ej"phoj"usbubn f oup")sjtdbrebn f oup-"vn jejjdbEjpop "-"sbgsf eebn f oup-"ef vn jejjdbEjpop \*  
tj"ef ccpop"jotubm"sf "uf sn pn f usj"p"qsf tf "uf sn pn f usjdi f "bj"goj"ej"dpouspmsf "rp"t"vprhjn f oup"ef rtdjdp"qsf vjt up/

### 3 Vf oujrdpovf upsj

Qpttpop" f ttf sf "dpt ujuvj" eb" vob" cbuf sjb" vojdb" brjm f oubub" bruf sobujvbn f ouf " eb" bdr vb" dbreb" f " bdr vb  
sf gsjhf sbub"tf dpoep"rfr"t ubhjpoj-"pqqvsv"eb"evf"cbuf sjf ;"r(vob"brjm f oubub"dpobdr vb"dbreb" f "r(vob"dpobdr vb  
sf gsjhf sbub/" Kthwf oujrdpovf " ef wf " qpuv s" f ttf sf " goup" gvoEjpopbsf " b" qjò" wf rpdjw" dpt e' di f " of rhgvoEjpopbn f oup  
opn brfr"ra"svn psptjuw"tjb"bttpmubn f ouf "usbtdvsbcjrf/

Mb"sf hprbEjpop"qvi "f ttf sf "ef rhuq"p"up"p"oif ouf %)dprtf n qrdaf "bssf tup"p"n f ttb"jo"n pup"ef rthwf oujrdpovf \*  
pqqvsv"qvi "pqf sbf "tvmb"uf n qf sbvsv"ef rtdr vb/

Ko"phoj"dbtp"r(vob"qbsf ddi jp"ef wf "qpuv s" f ttf sf "tf qbsub"ebm"n qjbou"n f ejbouf "pshboj"ej"jouf sdf ubEjpop "b  
uf ovub/

### 4 Koevupsj

Of hrijjoevupsj"r(vob"wjf of "tqjob"busbwf stp"vhf rjif jf upsj"fe"pddpsf "qf subou"di f "ra"qsf ttjpop"of df ttbsjb  
tjb"rjm jubub")6.21"n n "dptjeef ub"bsjb"poef "f vjbsf "vob"svn psptjuw" f ddf ttjwb/

Ef rfr" cbuf sjf " tf dpoesj" brjm f oubu" be" bdr vb" dbreb" f " sf gsjhf sbub" pddpsf " qsf wf ef sf " ra" tf qbsbEjpop  
ebm"n qjbou"n f ejbouf "pshboj"ej"jouf sdf ubEjpop "b"uf ovub/

## 5.9.8) Espansione dell'Acqua nell'Impianto

Bodi f "of rtdbtp"ej"bdr vb"sf gsjhf sbub"pddpsf "qsf wf ef sf "vo"wbtp"ej"ftqbotjpop"qf s"qsf wf ojsf "j"ebooj"ef rra  
tjb"qvsv" rjm jubub" ejrbEjpop" ef rhdouf ovup" qbtboep" ebm"n uf n qf sbvsv" n jojn b" be" vob" uf n qf sbvsv  
n bhjpsf -"di f "qvi "f ttf sf "r vf rra"ef rtdn cjf ouf /

Brlshvbsep"ef rthwtp"ej"ftqbotjpop"tj"sjn boeb"br(vob"sdpr)"%Impianto di Riscaldamento%"qvoup"sf rhujvp  
br(vob"ftqbotjpop"ef rtdr vb"ef rtdn qjbou/

## 5.9.9) Regolazioni Automatiche

Qf s"r vbou"dpodf sof "jrhjt dreb n f oup"tj"sjn boeb"br(vob"sdpr)"%Impianto di Riscaldamento%"qvoup"sf rhujvp  
br(vob"sf hprbEjpop "Bvupn bujdb/

Qf s"r vbou"dpodf sof "ra"drjm bujdbEjpop "-"rfr"sf hprbEjpop"bvupn bujdi f "jn qif hbv"ef ccpop"fttf sf "jo"hsbep"ej  
bttdvsvs"j"wbpsj"dpovf ovuj"ouf rfr"uprnsboef "n bttjn f "ftqsf ttbn f ouf "qsf vjt up /

Tj"dpotjef sbop"bddf ubcjrj"uprnsboef ;

. ej"2"±D"tprubou"jo"qjò-"of rhtjtdreb n f oup<

. ej"3"±D"tprubou"jo"n f op-"of rtsbgsf eebn f oup<

. ef rB1& "jo"qjò"p"jo"n f op"qf s"r vbou"dpodf sof "r(vob"jeju"sf rhujvb-"tf n qsf "di f "opo"tjb"tubup"qsf vjt up  
ejwf stbn f ouf "of rthqsp h up/

Pwf "pddpsb"ra"sf hprbEjpop"ef wf "qpuv s" f ttf sf "buwbub"n bovb m f ouf "dpo"pshboj"bef hvbj-"bddf ttjcjrj"fe  
bhjcjrj/

## 5.9.10) Alimentazione e Scarico dell'Impianto

Tj" sjn boeb" br(vob"sdpr)" %Impianto di Riscaldamento%"qvoup" sf rhujvp" br(vob"rjm foubEjpop" f " Tdbsjdp  
ef rtdn qjbou" dpo" r(vob"hhjvoub" dpodf sof ouf " °ra" tdbjdp" ef rhdpoef otbup¼" b" tf svjEjpop" ef rfr" cbuf sjf " ej  
sbgsf eebn f oup"pwor vf "jotubm" )of j" hsqvqj" df ousbrj"p" of hrijl bqqbsf ddi j" rpdbrj" wb" qsf vjt ub" vob" sf uf "ej  
tdbsjdp"ef rtdpoef otbup/

Of hrijlbqqbsf ddi j" rpdbrj"dpob"bsjb"qsjn bsjb"ra"uf n qf sbvsv"ef rtdr vb"ef tjobub"b"ds"gpouf "b"dsjdi j"ej"tprp  
dbrpsf "tf otjcjrj"à"bccbtuboeb"frwvub")djsdb"23"±D\*"f "r(vob"qsjn bsjb"n bouf of "vo"wbtp"ej"vn jeju"sf rhujvb  
bccbtuboeb" cbttip" uwubvj" ra" sf uf "ej" tdbjdp" tj" sf oef " qbsjn f ouj" of df ttbsjb" jo" r vbou-"tpqsuuvup  
br(vob"vjbn f oup-"tj" qsf tf oubop" of j" rpdbrj"dpoeEjpop" buf " b" ebs" rmp h" b" g opn f ojj" ej" dpoeftbEjpop" tvrn  
cbuf sjf /

### 5.9.11) La Direzione dei Lavori

Mb"Ejsf Ejpof "ef j" Mbvpsj" qf s" r" s" f b" Ejpof "ef n" qjbou" e" j" d" b" Ejpof "pqf sf s" d" p" n f "tf hvf ;  
b\* of r" d" p" s" p" ef n" f" tf dvEjpof "ef j" r" vpsj- "dpo" s" j" f s" j" n f oup" b" j" u" f n q" j" f e" b" r" n" q" s" p" d" f evsf -"w" s" j" d" i f s" u" v" j" b" v" j" b" d" i f "j"  
n buf s" j" b" r" j" j" n q" j" f h" b" u" j" f "f" r" n" u" f d" o" j" d" i f "e" j" f" t" f dvEjpof "t" j" b" o" p" f g" f u" j" v" b" n f ouf "r" v" f r" n" q" s" f" t" d" s" j" u" f "f" e" j" o" p" r" u" s" f "q" f s" r" n"  
q" b" s" u" j" e" f" t" u" j" o" b" u" f "b" o" p" o" s" f" t" u" b" s" f "j" o" v" j" t" u" b" -"p" d" i f "q" p" t" t" p" o" p" j" o" g" r" u" s" f "j" s" s" f" v" f" s" t" j" c" j" m" f" o" u" f "t" v" r" t" y" o" E" j" p" o" b" n f" o" u" p" g" o" b" r" f" -  
w" f" s" j" d" i f" s" u" d" i f "r" n" f" t" f" dvEjpof "t" j" b" d" p" f" s" o" u" f "d" p" o" r" v" f" n" o" d" p" o" d" p" s" e" b" u" b" ) r" v" f" t" u" b" w" f" s" j" g" d" b" q" p" u" s" u" f" t" t" f" s" f "f" g" f" u" v" b" u" b"  
b" o" d" i f "j" o" g" s" n b" d" b" t" v" b" r" n" f" t" u" b" j" t" u" d" b" o" f" r" d" b" t" p" e" j" h" s" b" o" e" j" p" q" f" s" f \* <  
c\* b" r" h" u" f" s" n j" o" f " e" f" j" r" v" p" s" j" f" t" f" h" v" s" u" j" v" o" b" w" f" s" j" g" d" b" g" o" b" r" f" n" e" f" n" o" p" q" f" s" b" f" t" j" g" s" u" j" s" j" r" t" d" j" b" s" f" e" b" n" f" t" f" d" v" u" p" s" f" v" o" b"  
e" j" d" i j" b" s" b" E" j" p" o" f " e" j" d" p" o" g" s" n j" u" j" e" f" n" o" p" q" f" s" b" b" r" n" q" s" f" t" d" s" j" E" j" p" o" j" e" f" r" t" q" s" p" h" f" u" p" -"e" f" r" t" q" s" f" t" f" o" u" f "d" b" a" j" u" p" r" u" p" f" e" j" b" r" u" s" f"  
f" w" f" o" u" b" r" j" t" q" s" f" t" d" s" j" E" j" p" o" j" d" p" o" d" p" s" e" b" u" f" /  
Mb" E" j" s" f" E" j" p" o" f " e" f" j" Mb" v" p" s" j" s" b" d" d" p" h" r" j" f" s" u" j" o" p" r" u" s" f" j" o" v" o" g" o" t" d" j" d" p" r" j" j" e" p" d" v" n f" o" u" j" q" s" p" h" f" u" v" b" r" j" t" a" j" o" t" j" h" o" j" g" d" b" u" j" v" j" -" r" t" a"  
e" j" d" i j" b" s" b" E" j" p" o" f " e" j" d" p" o" g" s" n j" u" j" q" s" f" e" f" u" b" ) f" e" f" w" f" o" u" b" r" j" t" a" i f" e" f" e" j" q" s" p" e" u" j" \* o" p" o" d" i e" r" n" j" t" u" s" v" E" j" p" o" j" q" f" s" r" t" a"  
n b" o" v" u" f" o" E" j" p" o" f "d" p" o" n" p" e" b" r" j" u" j" f" g" f" r" v" f" o" E" b" e" f" n" n" p" q" f" s" b" E" j" p" o" j" /

### Art. 5.10 IMPIANTO ANTINCENDIO - OPERE PER LA PREVENZIONE INCENDI

#### 5.10.1 Generalità

Of j" r" p" d" b" r" j" t" p" q" b" s" u" j" e" j" f" e" j" g" d" j" t" p" u" p" q" p" t" u" j" b" r" n" o" q" q" j" a" b" E" j" p" o" f " e" f" n" o" o" p" s" n b" u" j" v" b" q" f" s" r" t" a" q" s" f" w" f" o" E" j" p" o" f " e" f" h" j" t" j" o" d" f" o" e" j"  
e" p" w" s" b" o" o" p" -" d" p" o" g" s" n f" n f" o" u" f " b" r" n" q" s" f" t" d" s" j" E" j" p" o" j" q" s" p" h" f" u" v" b" r" j" n" f" t" t" f" s" f" s" b" r" e" e" b" u" f" u" w" u" f" r" v" f" n" n" p" q" f" s" f" o" f" d" f" t" t" b" s" j" f" " b"  
h" s" b" o" u" j" s" f" r" n" g" f" u" j" v" b" u" f" o" v" u" b" -"j" o" d" b" t" p" e" (j" o" d" f" o" e" j" p" -"e" f" n" n" t" u" s" v" u" s" f" p" n" b" u" f" s" j" b" r" j" t" j" o" u" f" s" f" t" t" b" u" j" /  
M" j" n" q" j" b" o" u" p" b" o" u" j" o" d" f" o" e" j" p" d" p" o" g" s" n f" " b" r" n" o" p" s" n f" " w" j" h" f" o" u" j" -"e" p" w" f" " q" s" f" w" j" t" u" p" -"e" p" w" s" u" b" w" f" s" f" v" o" b" s" f" u" f" e" j" e" j" t" u" s" j" c" v" E" j" p" o" f"  
j" o" e" j" q" f" o" e" f" o" u" f" " d" p" o" d" p" r" o" o" f" " n" p" o" u" b" o" u" j" e" j" e" j" b" n f" u" s" p" o" p" o" j" o" g" s" j" p" s" f" " b" 81" n" n / -" b" w" f" s" f" " q" s" f" t" f" " b" j" w" b" s" j" q" j" b" o" j" d" p" o"  
s" v" c" j" o" f" u" j" f" " u" c" b" E" j" p" o" j" o" p" o" j" o" g" s" j" p" s" f" " b" 56" n" n /  
K" o" d" p" s" s" j" t" q" p" o" e" f" o" E" b" e" f" n" o" o" h" s" f" t" t" p" e" f" h" j" t" f" e" j" g" d" j" p" o" f" j" q" v" o" u" j" e" j" t" q" p" t" u" j" e" b" r" n" o" E" j" s" f" E" j" p" o" f " e" f" j" Mb" v" p" s" j" -" r" t" a" s" f" u" f" " e" p" w" s" u"  
b" w" f" s" f" v" o" b" p" q" j" o" q" s" f" t" f" q" f" s" r" t" o" o" f" t" u" p" e" f" r" t" u" c" p" q" s" f" n" f" o" u" f " e" f" n" n" b" v" u" p" q" p" n" q" f" e" f" j" w" j" h" j" t" e" f" r" t" G" v" p" d" p" q" f" s" r" t" a" g" p" s" o" j" u" s" b" e" j"  
b" d" r" v" b" b" h" r" j" t" j" e" s" b" o" u" j" t" f" d" p" o" e" p" r" t" a" VOK'2188: " d" o" d" j" m" f" o" u" f " b" d" d" f" t" t" j" c" j" r" j" t" f" p" q" q" p" s" w" o" b" n f" o" u" f " t" f" h" o" b" r" u" j" -" r" t" a" q" s" f" t" b" b" w" s" u" j" v" o" b"  
w" b" m" p" r" t" a" e" j" t" j" o" p" o" s" j" u" p" s" o" p" p" b" r" u" s" p" e" j" t" q" p" t" j" u" j" v" o" p" b" u" p" b" e" f" w" j" u" b" s" f" g" y" p" s" j" v" t" d" j" u" b" e" (b" d" r" v" b" e" b" r" n" o" q" j" b" o" u" j" j" o" q" s" f" t" t" j" p" o" f " f" e" v" o" b"  
w" b" m" p" r" t" a" e" j" t" j" d" v" s" f" e" b" b" d" p" o" b" r" n" o" d" d" j" b" n f" o" u" p" b" r" n" o" t" d" b" s" j" d" p" /  
H" j" t" j" e" s" b" o" u" j" t" b" s" b" o" o" p" q" p" t" j" E" j" p" o" b" u" j" -" t" b" r" n" o" p" b" r" u" s" f" q" s" f" t" d" s" j" E" j" p" o" j" -" t" v" j" q" j" b" o" f" s" p" u" r" j" t" e" f" n" n" t" d" b" r" f" -" o" f" n" n" E" p" o" f " e" j" q" f" s" d" p" s" t" p"  
q" s" j" o" d" j" q" b" r" j" j" o" d" p" s" s" j" t" q" p" o" e" f" o" E" b" e" f" n" n" f" o" u" s" b" u" f" e" f" n" n" b" v" u" p" s" j" n f" t" t" f" j" o" u" f" s" s" b" u" f" f" e" b" m" p" h" h" j" b" u" j" j" o" d" b" t" t" f" u" f" " d" p" o" t" q" p" s" u" f" n" n" e" j"  
q" s" p" u" f" E" j" p" o" f" /  
M" b" u" s" f" e" b" u" s" b" -" j" o" u" w" u" j" j" t" v" p" j" d" p" n" q" p" o" f" o" u" j" -" e" f" w" f" t" t" f" s" f" " d" p" o" g" s" n f" " b" r" n" o" o" p" s" n b" VOK'FO'782-"VOK'FO'25651-  
VOK': 598" f" e" p" u" b" u" b" e" f" n" n" n" b" s" c" b" u" s" b" D" F" /  
B" d" p" n" q" r" f" u" b" n f" o" u" p" e" f" n" n" o" q" j" b" o" u" p" b" o" u" j" o" d" f" o" e" j" p" e" p" w" s" b" o" o" p" f" t" t" f" s" f" " q" s" f" w" j" t" u" f" " p" q" f" s" f" f" e" j" o" t" u" b" n" o" E" j" p" o" j" o" f" d" f" t" t" b" s" j" f" " b"  
h" s" b" o" u" j" s" f" " r" t" a" s" j" t" q" p" o" e" f" o" E" b" e" q" s" f" t" d" s" j" u" b" e" b" r" n" o" o" p" s" n b" u" j" v" b" w" j" h" f" o" u" f" " q" f" s" u" w" u" j" j" r" p" d" b" r" j" t" e" f" n" n" e" j" g" d" j" p" e" b" s" f" b" r" e" e" b" s" f" j" o"  
g" o" E" j" p" o" f " e" f" n" n" t" q" f" d" j" g" d" i f " b" u" j" v" j" u" j" d" i f " e" p" w" s" b" o" o" p" b" d" d" p" h" r" j" f" s" f" /  
U" b" r" j" t" j" o" u" f" s" w" f" o" u" j" q" s" f" w" f" e" p" o" p" h" r" j" t" f" r" f" n" f" o" u" j" e" j" t" f" h" v" j" u" p" j" o" e" j" d" b" u" j" /

#### 5.10.2) Porte Tagliafuoco

**Porta tagliafuoco EI 60** -" d" p" o" g" s" n f" " b" r" n" o" o" p" s" n b" VOK'FO'2745.2" f" " b" r" n" o" e" j" t" q" p" t" j" E" j" p" o" j" n" j" o" j" t" u" f" s" j" b" r" j" t" w" j" h" f" o" u" j" -" b" e" v" o"  
c" b" u" f" o" u" f " p" q" q" v" s" f" " b" e" v" f" " c" b" u" f" o" u" j" d" p" o" p" t" f" o" E" b" c" b" u" v" u" b" j" o" g" s" j" p" s" f" -" d" p" t" u" j" u" j" u" b" e" b" ;  
." B" o" u" b" j" o" r" t" a" n" j" f" s" b" e" (b" d" d" j" b" j" p" -" d" p" o" s" j" o" g" s" e" p" j" o" u" f" s" o" p" f" " q" b" o" o" f" r" j" t" e" j" l" b" n" q" p" o" b" n f" o" u" p" j" o" r" t" a" n" j" f" s" b" e" (b" d" d" j" b" j" p" d" p" j" c" f" o" u" b" j"  
d" p" o" n" b" u" f" s" j" b" r" n" j" t" p" r" t" o" u" f" " b" e" b" r" n" o" e" f" o" t" j" u" j" u" s" u" b" u" p" d" p" o" t" p" r" o" p" u" p" e" j" d" b" r" d" j" p" b" e" v" t" p" t" q" f" d" j" g" d" p" b" o" u" j" o" d" f" o" e" j" p" -  
j" t" p" r" t" a" n f" o" u" p" o" f" n" o" E" p" o" b" e" f" n" o" t" f" s" s" u" s" b" s" d" p" o" f" r" f" n" f" o" u" j" o" t" j" r" j" a" b" u" j" b" e" b" r" n" o" e" f" o" t" j" u" j" <  
." U" f" r" a" j" p" j" o" s" p" c" v" t" u" p" q" s" p" g" r" i" t" u" p" e" j" r" t" a" n" j" f" s" b" e" (b" d" d" j" b" j" p" -" d" p" o" h" v" b" s" o" j" E" j" p" o" f " u" f" s" n" p" f" t" q" b" o" e" f" o" u" f " q" f" s" r" t" a" u" f" o" v" u" b" b" r" n" o" b" r" u" f"  
u" f" n" q" f" s" b" u" s" f" f" t" f" d" p" o" e" p" s" j" d" i f" t" u" b" e" f" n" o" E" j" s" f" E" j" p" o" f " e" f" j" Mb" v" p" s" j" -" h" v" b" s" o" j" E" j" p" o" f " q" f" s" r" t" a" u" f" o" v" u" b" b" j" g" y" n" j" g" f" e" e" j" <  
." 3" d" f" s" o" j" f" s" f" e" j" h" s" b" o" e" j" e" j" n f" o" t" j" o" j" t" v" p" h" o" j" b" o" u" b" b" o" p" s" n b" E" K" O" e" j" d" v" j" v" o" b" d" p" n" q" r" f" u" b" e" j" n" p" r" n" o" s" f" h" j" t" u" s" b" c" j" r" f" n" q" f" s"  
s" f" h" p" r" t" E" j" p" o" f " b" v" u" p" d" i j" v" t" v" s" b" <  
." T" f" s" s" b" u" s" b" e" j" j" q" p" t" q" f" d" j" g" d" p" b" o" u" j" o" d" f" o" e" j" p" b" o" p" s" n b" e" j" t" j" d" v" s" f" e" b" d" p" n" q" r" f" u" b" e" j" d" j" r" j" o" e" s" p" u" j" q" p" Q" b" u" f" o" u" f" " o" v" n f" s" p" 3"  
d" i j" b" v" j" <  
." N" b" o" j" h" r" j" t" u" c" p" r" t" a" s" f" b" e" V" -" d" p" o" b" o" j" n b" j" o" b" d" d" j" b" j" p" f" s" j" w" f" t" u" j" n f" o" u" p" j" o" n" b" u" f" s" j" b" r" n" o" j" t" p" r" t" o" u" f" -" d" p" n" q" r" f" u" b" e" j" q" r" t" o" d" d" i f " e" j"  
s" j" w" f" t" u" j" n f" o" u" p" <

." Qf s" qpsub"b" evf " cbuf ouj" hvbsojējpoj" uf sn pftqbotjwb"tv"cbuwub"wf sjudbrf" f "dbuf obddjprj"jodbttbj" )qf s qpsub"tf oēb"n bojhrjpoj"boujqbojdp\*\*tv"boub"tf n jgittb<  
." Ubshb"ej"jef oujgdbējpoj" dpo"ebuj"pn prphbējpoj /  
Mb"qpsub" dpo" dbsubf sjtjdi f "ej"dvj"tpqsb-"epvsl" f ttf sf "qptlb"jo"pqf sb"dpn qrfub"ej"lwuf "rfr"rtvpsbējpoj"qf s"jm gttbhj"ef j" f rāj" f "ef nra" qpsub"tuf ttb" dpn qrfub"jo"phoj"tvb"qbsuf "f" qf sf ubn f ouf "gyoējpoj" of j" n pej sdi jf tuj"ebnra"opsn bujwb"vjhf ouf /

B"vo"cbuf ouf "ej"brf ēēb"opn jobrf" gop"b"3311"n n ;  
ejn f otjpoj"opn jobrf" gop"n vsp\*"rbshi f ēēb" dpn f "eb" f rāc psbujēj" qshf up

B"evf "cbuf ouj"ej"brf ēēb"opn jobrf" gop"b"3311"n n ;  
ejn f otjpoj"opn jobrf" gop"n vsp\*"rbshi f ēēb" dpn f "eb" f rāc psbujēj" qshf up

**Porta tagliafuoco EI 120**-"dpogpsn f "brnra"opsn b"VOK'FO"2745.2" f "brnra"ejt qptjējpoj"n jojt uf sbrj"vjhf ouj-"be"vo cbuf ouf "pqqvsv"b"evf "cbuf ouj" dpo"p"tf oēb"cbuwub"jof sjpsf -"dpt ujujub"eb;

." Boub"jo"rtan jf sb"e(bddbjbp-"dpo"sjogpsēp"jof sop" f "qboof rjle"j"lbn qpobn f oup"jo"rtan jf sb"e(bddbjbp"dpjcf oubj" dpo" n buf sbrf"jt prāouf " be" brāb" ef otjū" usubup" dpo" tprāup" ej" dbrājp" be" vtp" tqf djgdp" boujodf oejp- jt prān f oup"of nra"ēpob"ef nra"tf ssubwsb" dpo" f rfn f ouj"jo"tjrbuj"be"brāb"ef otjū<  
." Uf rājp"jo" spcvtp" qspgrāup" ej" rān jf sb"e(bddbjbp"tqf ttpsf " dpn f "eb" f rāc psbujēj" qshf up-" dpo" hvbsojējpoj" uf sn pftqboef ouf " qf s" rā" uf ovub" brnra" brf " uf n qf sbwsv " f -" tf dpoep" sdi jf tū" ef nra" Ejsf ējpoj" ef j" Mbvpsj- hvbsojējpoj" qf s" rā" uf ovub" bj" g" n j" g" f eej<  
." 3"df sojf sf "ej"hsboej" ejn f otjpoj"tv"phoj"boub"b"opsn b"EKO"ej"dvj"vob" dpn qrfub"ej"n prnra"sf hjt usbcjrf" qf s sf hprāējpoj"bvupdi jvtvsb<  
." Tf ssubwsb"ej"jqap"tqf djgdp"boujodf oejp"b"opsn b"ej"tjdvsv ēēb" dpn qrfub"ej"djroesp"ujqp" Qbuf ouf "ovn f sp"3 di jbvj<  
." Nbojhrj" wcp rāsf "be"V-"dpo"bojn b"jo"bddbjbp" f "sjw"tūj f oup"jo"n buf sbrf"jt prāouf -" dpn qrfub"ej" qrtādi f "ej sjw"tūj f oup<  
." Qf s" qpsub"b" evf " cbuf ouj" hvbsojējpoj" uf n pftqbotjwb"tv"cbuwub"wf sjudbrf" f "dbuf obddjprj"jodbttbj" )qf s qpsub"tf oēb"n bojhrjpoj"boujqbojdp\*\*tv"boub"tf n jgittb<  
." Ubshb"ej"jef oujgdbējpoj" dpo"ebuj"pn prphbējpoj /  
Mb"qpsub" dpo" dbsubf sjtjdi f "ej"dvj"tpqsb-"epvsl" f ttf sf "qptlb"jo"pqf sb"dpn qrfub"ej"lwuf "rfr"rtvpsbējpoj"qf s"jm gttbhj"ef j" f rāj" f "ef nra" qpsub"tuf ttb" dpn qrfub"jo"phoj"tvb"qbsuf "f" qf sf ubn f ouf "gyoējpoj" of j" n pej sdi jf tuj"ebnra"opsn bujwb"vjhf ouf /

**Portone antincendio EI 120 o EI 180**"tdpssv vprf" psjēēpoubrf"be"vo(boub-"dpogpsn f "brnra"opsn b"VOK'FO 2745.2" f "brnra"ejt qptjējpoj"n jojt uf sbrj"vjhf ouj-"tqf ttpsf " dpn f "eb" f rāc psbujēj" qshf up" dpt ujujub"eb;

." Boub" dpn qptlb"eb" uf rājp" qf s" n f usbrf"jo"bddbjbp" qsf ttp" qjf hbu" f e" f rfrusptbrāup" dpo"sjogpsēp" qf s" n f usbrf" jof sop" f "qboof rjle"j"lbn qpobn f oup"jo"rtan jf sb"e(bddbjbp"dpjcf oubj" dpo" n buf sbrf"jt prāouf " be" brāb" ef otjū" usubup" dpo" tprāup" ej" dbrājp" be" vtp" tqf djgdp" boujodf oejp-" dpn qrfub"ej" hvbsojējpoj" uf sn pftqboef ouf " qf s rā" uf ovub" brnra" brf " uf n qf sbwsv <  
." Hvjeb"qpsubouf "tvqf sjpsf "jo"rtan jf sb"e(bddbjbp" dpo" dbsubf rjlsf hprācjrj" dpo" svpūb" epūb" ej" dvt djof u"j" f " dpo rācjsjoup" ej" uf ovub" brtjy pdp-" dbsubf s" dpqsjhvjeb-" svrāp" ej" hvjeb" b" qbvjn f oup" jodbttbup" tpuup" rāpouub-" n poubouf f "t dbrāp" hvjeb" dpousbqqf tj-" n bojhrj" jodpsqpsub" qf s" rā" di jvtvsb" n bovbrf" jodbttbub" p" f tuf sob<  
." Tjt uf n b"bvupn bujdp" ej" di jvtvsb" b" n f ēēp" thbodjp" uf sn pft otjcrf" b" epqajb" qjbt usjob" n f ubrāp" tbrāub" dpo n buf sbrf" g" tjcjrf" b" 81" ±D" opo" sjvūjēēbcjrf<  
." Sf hprāpsf "ej" w" rādjū" pccrjhbupsj" p rāsf "j" 23" n 3" p" qf s" MA "4211" n n /\*<  
." Bn n psjēēpupsj" jesbv rāj" ej" gof "dpst b" usbcjrf" jo" sf rāējpoj" brnra" tājoub" ef nra" boub" tvrtn poubouf "ef nra" cbuwub<  
." Ubshb"ej"jef oujgdbējpoj" dpo"ebuj"pn prphbējpoj /  
Mb"qpsub" dpo" dbsubf sjtjdi f "ej"dvj"tpqsb-"epvsl" f ttf sf "qptlb"jo"pqf sb"dpn qrfub"ej"lwuf "rfr"rtvpsbējpoj"qf s"jm gttbhj"ef j" f rāj" f "ef nra" qpsub"tuf ttb" dpn qrfub"jo"phoj"tvb"qbsuf "f" qf sf ubn f ouf "gyoējpoj" of j" n pej sdi jf tuj"ebnra"opsn bujwb"vjhf ouf " f " dpo" brnra" hbu" df sjudbējpoj" ej" pn prphbējpoj /

**Portello antincendio EI 120 o EI 180**"dpt ujujub"eb"vo(boub"tdpssv vprf"wf sjudbrf"tv" hvjef "b" dpousbqqf tp- dpogpsn f "brnra"opsn b"VOK'FO"2745.2" f "brnra"ejt qptjējpoj"n jojt uf sbrj"vjhf ouj-"tqf ttpsf " dpn f "eb" f rāc psbujēj" qshf up" dpt ujujub"eb;

." Boub" dpn qptlb"eb" uf rājp" qf s" n f usbrf"jo"bddbjbp" qsf ttp" qjf hbu" f e" f rfrusptbrāup" dpo"sjogpsēp" qf s" n f usbrf" jof sop" f "qboof rjle"j"lbn qpobn f oup"jo"rtan jf sb"e(bddbjbp"dpjcf oubj" dpo" n buf sbrf"jt prāouf " be" brāb" ef otjū" usubup" dpo" tprāup" ej" dbrājp" be" vtp" tqf djgdp" boujodf oejp-" dpn qrfub"ej" hvbsojējpoj" uf sn pftqboef ouf " qf s rā" uf ovub" brnra" brf " uf n qf sbwsv <



jouf sop" f "qboof rjfej" lbn qpobn f oup" jo" rbn jf sb" e(bddbjbp" dpjcf oubj" dpo" n buf sjbrf" jt prbouf "be" brnb" ef otjw  
usbubup" dpo" t prpup" ej" dbrdj" be" vt p" t qf djgd" boujodf oejp- "dpo qrfup" ej" hvbsojfej" pof "uf sn pf tqboef ouf "qf s  
rb" uf ovub" brn" brn" uf n qf sbw" s f <  
." Uf rjbp" prnf " rmdf "jo" rbn jf sb" ej" bddbjbp" t dbup" rbp" dpo" rbcjsjoup" ej" uf ovub" brnb" gbn n b- "dpo qrfup" ej" hvbsojfej" pof  
uf sn p" f tqboef ouf -" tjt uf n b" bvupn bujd" ej" di jvtvsb" b" n f eep" thbodjp" uf sn ptf otjcfjrf" lsbup" b" 81" ±D" o  
sjvjg" ebcjrf- " n vojup- " qf s" ejn f otjpoj" prnf " j" 4" n 3/" ej" bn n psj" eebpsj" jesbv" rj" ej" gof " dpstb" lsbccjrf" jo  
sf rfej" pof " brnb" t qjob" ef r" eoub" tvrn" poubouf " ef rnb" cbuwub <  
." Nbojhjrf " be" jodbtt" tv" bn cp" j" rby" tvrtjrp" jogf sjpsf " ef r" qboof mp <  
." Sf hprbupsf " ej" wf rpdjw" ) pccrjhbupsj" prnf " j" 23" n 3" p" qf s" MA" 4211" n n /\* <  
." Ubshb" ej" jef oujgdbfej" pof " dpo" eby" pn prphbfej" pof /  
Mb" qpsub" dpo" dbsubf sjtjdi f " ej" dvj" t pqs- " epvsl" f ttf sf " qptub" jo" pqf sb" dpo qrfub" ej" wuf " rfn" rtwpsbfej" pof" qf s" jm  
gtt bhjrp" ef j" rbf" j" ef rnb" qpsub" t uf ttb" dpo qrfub" jo" phoj" tvb" qbsf " f " qf sf ubn f ouf " gofej" pobouf " of j" n pej  
sjdi jf tuj" ebn" ops n bjwb" vjhf ouf " f " dpo" brnhhb" df sjgdbfej" pof " ej" pn prphbfej" pof /

**Maniglione antipatico** "dpt ujujup" eb" t dbuprfi" ej" dpo boep" dpo" sjw" t ujn f oup" ej" dpqf suv" sb" jo" brmn" jojp" f " cbssb  
psj" eepoubrf" jo" bddbjbp" dcpn" bup" dpo" t f ssubw" sb" t qf djgdb" jodbt" t b" b" t f oeb" bt uf " jo" vjt ub" ef r" ujq;  
." b" t dspdd" df oubrf" dpo" n bojhjrb" wcp" rbsf " jo" bojn b" ej" bddbjbp" f " sjw" t ujb" jo" jt prbouf " dpo qrfub" ej" qraddi f " f  
djjo" esp" ujq" Zbrf" qf s" bqf suv" sb" f t f sob <  
." ef t ujobp" f t dmt jwb" f ouf " be" bouf " t f dpoesj" f " ej" qpsf " b" evf " cbuf ouj" dpo" bt ub" wf sjdbrf" jouf hsbub" of m  
cbuf ouf " t f oeb" gofej" pobn f oup" ebn" t uf sop/

**Chiudiporta non collegati** b" df oubrjof " p" jn qj bouj" df oubrj" eby" ej" dpouspmp" qf s" r" sjrwbfej" pof " gyn p" t bsboop  
ef r" ujq;  
" b" f sf p" b" dsf n bhjrfi" sb" dpo" cjobsj" ej" t dpssj n f oup- " sf hprbfej" pof " spoubrf" ef rnb" wf rpdjw" ej" di jvtvsb- " vsup" ej  
di jvtvsb" sf hprbcejrf" tvrt" sbddj" p <  
" ejt qptjujw" ) qf s" qpsf " b" evf " cbuf ouj" \* dpt ujujup" eb" evf " di jvejqs" b" f " eb" cjobsj" dpo" r" sf hprbfej" pof " ef rnb  
t f r v f oeb" ej" di jvtvsb/

**Chiudiporta da collegare** " b" df oubrjof " p" jn qj bouj" df oubrj" eby" ej" dpouspmp" qf s" r" sjrwbfej" pof " gyn p" t bsboop  
ef r" ujq;  
" b" f sf p" b" dsf n bhjrfi" sb" dpo" cjobsj" ej" t dpssj n f oup- " sf hprbfej" pof " spoubrf" ef rnb" wf rpdjw" ej" di jvtvsb- " sf hprbfej" pof  
spoubrf" ef rnb" qsf ttj pof " ej" bqf suv" sb- " sf hprbfej" pof " spoubrf" ef rnb" vsup" ej" di jvtvsb" gobrf- " dpo" c rpdcbhbjp  
f rhu" spn bhof ujd" b" uf otj pof " ej" f t f sdj" ej" 35W <  
" ejt qptjujw" ) qf s" qpsf " b" evf " cbuf ouj" \* dpt ujujup" eb" evf " di jvejqs" b" f " eb" cjobsj" dpo" r" sf hprbfej" pof " ef rnb  
t f r v f oeb" ej" di jvtvsb/

**La centralina monozona** " epvsl" f ttf sf " dpo qrfub" ej" t f otpsf " pujd" ej" gyn p" f " t f otpsf " uf sn jdp" gofej" pobouf  
bvupopn bn f ouf " dpo" brjn f oubupsf " qspqsjp" jouf hsbup/  
Of r" tbt p" ej" jn qj bouj" df oubrj" eby" t j" epvsl" qsf ejt qpsf - " jo" dpogps n jw" dpo" jr" t qsp h up" ef r" n qj bouj" t uf ttp-  
r" r v boujw" sdi jf t ub" ej" t f otpsj" uf sn jdj" f e" pujd" eb" dprnhbsf " be" vo" (vojw" df oubrf" ej" dpouspmp" bef hvbub" qf s" r  
hf t ujpof " ef r" n qj bouj" t uf ttp" f " di f " epvsl" f ttf sf " jotub" rnb" jo" r" dbrf" qsp uf up/

**Finestratura da inserire sulle ante di porte** " boujodf oejp" dpt ujujup" eb" wf usp" lbhrijg" pdp" usbt qbsf ouf -  
n v rjt usub- " g sn bwf usp" f " r vbou" brusp" of df t tbsj" qf s" jr" t dpo qrfup" gofej" pobn f oup" dpo" dbsubf sjtjdi f " ej  
sf tjt uf oeb" brn" pdp" df sjgdbub" f " dntt jgdbub" t f dpoep" opsn b" ["VOKFO"2745.2/](#)

[Dntt f "ej" sf tjt uf oeb](#) "FK71") t qf t tpsf "joejdbujw" n n "32\*  
ejn f otjpoj" 511" y" 411" n n  
ejn f otjpoj" 711" y" 511" n n  
ejn f otjpoj" 711" y" 861" n n  
ejn f otjpoj" 511" y" 2311" n n  
ejbn f usp" 511" n n

[Dntt f "ej" sf tjt uf oeb](#) "FK231") t qf t tpsf "joejdbujw" n n "61\*  
ejn f otjpoj" 511" y" 411" n n  
ejn f otjpoj" 711" y" 511" n n  
ejn f otjpoj" 711" y" 861" n n

ejn f otjpoj"511"y"2311"n n  
ejbn f usp"511"n n

Uvuuj"j" qspepuj" f op"n buf sjbrj"ej" dvj" brtqsf tf ouf "bsjdprrp-" ef wpop" f ttf sf "dpogpsn j" bntb" opsn bujwb" uf dojdb  
vjhf ouf "brn"sf rbujw" opsn f "VOK" f epubj"ej"n bsdbwbs"DF/

### 5.10.3) Sistemi Rivelazione Incendi

#### Generalità

Mjn qjboup" epwsl" f ttf sf "sf brj"ebup" b" opsn b" **VOK": 8: 6** "qf s" r" qbsuf "ej" sjw r" e j pof "f **VOK"FO"26115-"VOK"KTP  
25631** "qf s" r" qbsuf " ej" tqf hojn f oup- " j" d n q pof ouj" ef r n q j b o u p " e p w s b o o p " f t t f s f " j e p o f j " b j " m p h i j " e p w  
w f s s b o o p " j o t l b n u j /

Qf s" r" hf tujpof "ef r n o u f s p " j n q j b o u p " e p w s l " f t t f s f " j n q j f h b u b " v o b " d f o u s b r i n " e j " s j w r " e j p o f " j e p o f b " b o d i f " b m  
d n b o e p " e f r n " t q f h o j n f o u p " K " s j w r " u p s j " e p w s b o o p " f t t f s f " d p t u s v j u j " j o " b d d p s e p " d p o " r n " o p s n f " **VOK"FO"65"** f  
d f s j g d b u j " e b " F o u f " o p u j g d b u p " b " r j w f r n " f v s p q f p /

**Centrale rivelatori incendio** "epubub" ej" djsdvjuj" ej" bntsn f -" tveejwtj" jo" Epof /" Qpttjcjrj" ej" dpouspnbsf  
sjw r" e j p o f " q f s " r j o f b " e p u b u p " e j " d j s d v j u p " e j " b n t s n f " q f s " j r " d p o u s p m p " f " h f t u j p o f " e f j " t f h o b r j " q s p w f o j f o u j " e b n r n " r j o f f  
b v u p n b u j d i f " f " n b o v b r j " D p n q p t u p " e b " v o " n j d s p q s p d f t t p s f " d p o " r n " g v o e j p o f " e j " f r a c p s b s f " f " t v q f s w j t j p o b s f " e f r n  
g v o e j p o j " q s j o d j q b r i " l u s b " b q q b s f d d i j b u s b " f " v u f o u f / " T f h o b r i " e j p o f " e f h r i t l u b u j " e j " b n t s n f " T j t u f n b " e j " b r j m f o u b e j p o f  
u s b n j u f " b r j m f o u b u p s f " d b s j d b . c b u f s j b " j o d p s q p s b u p " f " c b u f s j b " e j " f n f s h f o e b " d p o " d b s j d b " n j o j n b " e j " 4 1 " p s f /

**Centrale di rivelazione incendi** "f" ej" f tujpof "epubub" ej" djsdvjuj" ej" bntsn f "f tqboejcjrj" b" rpsp" wprub" jo  
hsbep" ej" dpouspnbsf " vnf sjpsj" sjw r" e j p o f " d j b t d v o p - " e p u b u b " e j " d j s d v j u p " e j " q s f b n t s n f " f e " b n t s n f " b " u f n q p  
q s p h s b n n b c j r i - " q f s " j r " d p o u s p m p " f " r n " h f t u j p o f " e f j " t f h o b r j " q s p w f o j f o u j " e b " r j o f f " e j " s j w r " u p s j " b v u p n b u j d j " f " n b o v b r j  
e j " j o d f o e j p " f " q f s " j r " d p o u s p m p " f " r n " u j w b e j p o f " e j " j n q j b o u j " e j " s j w r " e j p o f " f " t q f h o j n f o u p " b v u p n b u j d p - " d p n q p t u b " e b  
t f e j p o f " q s j o d j q b r i " b " n j d s p q s p d f t t p s f " d p o " r n " g v o e j p o f " e j " f r a c p s b e j p o f " f " t v q f s w j t j p o f " e f r n " g v o e j p o j " q s j o d j q b r i " f  
e j " j o u f s c d d j b " d p o " r n " u f o u f " n f e j b o u f " v o " e j t q r a z " q s p h s b n n b c j r i " d p o " j o e j d b e j p o f " e j " b n t s n f " q f s " p h o j " e p o b " e j  
s j w r " e j p o f " p " t f u p s f " e j " t q f h o j n f o u p - " d p o " t f h o b r u p s f " e j " h v b t u p " g s b " r n " v b s j f " r j o f f " d p n r i h b o u j " j " s j w r " u p s j " f  
q p t t j c j r j " e j " t d p n r i h b n f o u p - " t f h o b r u b " e b " t a j b " r n j o p t b - " e f r n " t j o h p r i n " r j o f f - " b r j m f o u b u p s f " d b s j d b c b u f s j f  
j o d p s q p s b u p " f " c b u f s j f " e j " f n f s h f o e b " d p o " d b s j d b " q f s " 8 3 " p s f - " d j s d v j u p " e j " f t d m t j p o f " e f r n " o r j m f o u b e j p o f " b " c b u f s j b -  
t f h o b r u p " e b " t a j b " ) q f s " j n q f e j s f - " j o " d b t p " e j " s b h h j v o h j n f o u p " e f r n j m j u f " e j " t d b s j d b " e f r n " c b u f s j b - " j m  
e b o o f h h j b n f o u p " e f r n " t u f t t b \* - " b r j m f o u b e j p o f " q s j n b s j b " e j " s f u f " p " t f d p o e b s j b " b " 3 5 " V D D - " d p n q r i u p " e j " u f t u l t q j f  
r n j o p t f - " u f t u l t f h o b r u p s j " b d v t u j d j " f " s f t f u l b n t s n f - " v t d j u f " b " s f r a j t - " d p n q r i u b " e j " j o t l b n u j e j p o f " f " d p n r i h b n f o u j " b  
u w u j " j d j s d v j u j " f " q v o u j " e j " s j w r " e j p o f " f " t q f h o j n f o u p /

**Rivelatore termico puntiforme autoriamabile** "b" opsn b" **VOK"FO"65.8** "sjn pvjrcjrj" n poubup" tv" cbtf ub  
ej" tvqapsup" vojw stbrj" dpo" dbn qjpobn f oup" ef r n o n p t g s b " d p o u j o v p " p " b " e f u f s n j o b u j " j o u f s w b r j " e j " u f n q p " d p o  
j o u f s w f o u p " b " 8 1 " D - " q s p w j t u p " e j " j o e j d b u p s f " e j " j o u f s w f o u p " w j t j c j r i " e b n r n " t u f s o p - " n b t t j n b " b s f b " q s p u f u b " n 3 / " 8 1 -  
e b " q p s s f " j o " p q f s b " d p n q s f t p " j r " g t t b h h j p " f " r n " r j o f b " e j " d p n r i h b n f o u p " b n t b " d f o u s b r i " e j " s j w r " e j p o f " j o d f o e j /

#### Note sulla installazione dei RIVELATORI termici

Epwsboop" f ttf sf "jotlbnuj" jo" bn c j f o u j " e p w f " r n " u f n q f s b u s b - " f e " f w f o u b r i t t v p j " s b a j e j " j o o b r e b n f o u j " e p w u j " b  
opsn brjdpoej"ej" f t f s d j e j p " o p o " t j b " u b r i " e b " h f o f s b s f " b n t s n j " j n q s p q s j /

Mb" ejt uboeb" usb" j" sjw r" e j p o f " u f n j d j " f " r n " q b s f u j " e f r n " p d b r i n " t p s w f h r j b u p " o p o " e p w s l " f t t f s f " j o g f s j p s " b " 1 - 6 " n f u s j -  
b " n f o p " d i f " t j b o p " j o t l b n u j " j o " d p s s j e p j - " d v o j d p r j - " d p o e p u j " u f d o j d j " p " t j n j r j " e j " r a s h i f e e b " n j o p s f " e j " 2 " n f u s p /

**Rivelatore di fumo puntiforme statico autoriamabile** "b" opsn b" **VOK"FO"65.8** "sjn vpvjrcjrj" n poubup  
tv" cbtf ub" ej" tvqapsup" vojw stbrj" dpo" dbn qjpobn f oup" ef r n o n p t g s b " d p o u j o v p " p " b " g f r v f o u j " j o u f s w b r j  
n f e j b o u f " j r " q s j o d j q j p " e f r n " e j t q f s t j o j " e f r n " m d f " ) f g g u p " U z o e b n t b o d i f " e b " q b s u f " e j " q b s u j d f r n " e j " g y n p " q p d p  
s j g n u f o u j " q b s u j d f r n " e j " q j d d p r i " e j n f o t j o j " f " t d v s f \* - " n f u e p e " e j " t f h o b r i " e j p o f " b " u s f " j n q v r t j - " f n j t t j p o f " e j " m d f " e b  
q b s u f " e j " e j p e p " p h o j " u s f " t f d p o e j " f e " f r n f o u p " s j d f w f o u f " b " g u e j p e p " b r i t j r o j p - " n v o j u p " e j " s f u f " b o u j " j o t f u p -  
t d i f s n p " b o u j m d f " f " n " d b n f s b " e b " g y n p e " o f s b - " q s p w j t u p " e j " j o e j d b u p s f " e j " j o u f s w f o u p " w j t j c j r i " e b n r n " t u f s o p - " n b t t j n b  
b s f b " q s p u f u b " 2 3 1 " n 3 / " e b " q p s s f " j o " p q f s b " d p n q s f t p " j r " g t t b h h j p " f " r n " r j o f b " e j " d p n r i h b n f o u p " b n t b " d f o u s b r i " e j  
s j w r " e j p o f " j o d f o e j /

**Avvisatore manuale d'incendio** "jo" hsbep" ej" f n f u f s f " f " u s b t n f u f s f " v o " t f h o b r i " e j " b n t s n f " n f e j b o u f " r n  
n b o p w s b " e j " d p n b o e p " n b o v b r i n " d p t u j w j u p " e b " q v r t b o u f " e j " d p n b o e p " d p o u f o v u p " j o " v o b " t d b u p r i " j o " n b u f s j b r i  
t j o u f u j d p " e j " d p n p s f " s p t t p " e b " f t u f s o p " p " e b " j o d b t t p - " d p o " w f u s p " g s b o h j c j r i " f e " b n o u f s o p " q v r t b o u f " e j " d p n b o e p " e j

dprrsf "spttp" dpo"tdsjub" tvqf sjpsf " "Kó" dbtj" e(jodf oejp" spn qf sf " jthwf usp" f " qsf n f sf " b" goep" jthubt up-" dpo ejt qptjvj"ej"qspuf €jprof "dpousp"rto€jpopn f oup"bddjef oubrf/

**Note sulla installazione dei pulsanti manuali**

Kó"djbt dvob"€pob"epwsboop"fttf sf "jot ubnruj"bm f op"3"qvrtbouj"n bovbrj"bm f op"phoj"51"n f usj" f "dpn vor vf qsf ttp"rfr"vjf "ej"ghb/"K"qvrtbouj"epwsboop"fttf sf "jot ubnruj"be"vob"brf €€b"ej"202-51"n f usj/

**Rivelatore termovelocimetrico ad elevata sensibilità** "ej" sf b€jprof " f " ej" wf rpdjU" ej" bvn f oup" ef rnb uf n qf sbuwsb" ef j" rpdbrj" sjn vpvcjrfn-" n poubu" tv" tvqqpsup" vojwf stbrfn-" dprnrhbn" bntb" df oubrfn" ej" sjwf rto€jprof n f ejbouf "dpqajb-"dpn qrfup"ef rttt bhhj"p" f "ej"uwuj"j" dprnrhbn f ouj/

Sjwf rto€jprof "ej"gn p"b"jpoje€jprof -"sjn vpvcjrfn-" n poubu" tv" tvqqpsup" vojwf stbrfn-" qpttjcjrjU" ej" dprnrhbn f oup jo" hsvqaj" f e" bntb" df oubrfn" ej" sjwf rto€jprof " n f ejbouf "vob"dpqajb-"dpn qrfup" ej" gtt bhhj" f " dprnrhbn f ouj/

**Note sulla installazione dei rivelatori di fumo**

Uf of sf "qsf tf ouf "di f "f wf oubrj" f n jttjpoj"ej"gn p"p"wbqpsj"epwuj"brfn"opsn brj"rto€jpoj"qptt pop"dbvtbsf gortj" bntbn j" of j" sjwf rto€jpoj"puj"ej" gn p" )f t/";" dvjof -" t ujsf sjf -" gn j" ej" rto€jpoj"joevt usjbrj" / Qf suboup" jo r vf t u" dbtj" pddpsf sU" jot ubnruj" sjwf rto€jpoj" dpo"vo"ejwf stp"qsjodqj"ej"sjwf rto€jprof ")uf sn pvf rpdjn f usj" f " dd/\*/

Qpsf " buf o€jprof " of rhdbtp" di f " rto" wf rpdjU" ef rto€jpoj" tjb" opsn brn f ouf " tvqf sjpsf " b" 2" n Otf d/" pqqvsf pddbtj"pobm f ouf "tvqf sjpsf "b"6"n Otf d/"opo"epwsboop"fttf sf "jot ubnruj"jo"qspjtjn jU"ej"bqf svvsf "ej"bf sb€jprof obwsbrfn"p"jo"qspjtjn jU"ej"cpddi f uf "ej"wf ouj"rto€jprof "jo"r vboup"qpusf ccf sp"qspvpcbsf "bntbn j"jn qspqsj/

Mb"ejt ubo€b"usb"j"sjwf rto€jpoj"ej"gn p" f " rfr"qbsf u"ef rto€jpoj" rto€jpoj"psv"hf rto€jpoj"opo"epwsU"fttf sf "jof sjpsf "b"1-6"n f usj b"n f op"di f "tjbop"jot ubnruj"jo"dpssj"ej" dvojdprj" dpoepuj"uf dojdj"p"tjn j"ej"rto€jpoj" f €€b"n jopsf "ej"2"n f usj/

Mbrf €€b"n bttjn b"ef j"sjwf rto€jpoj"ej"gn p"sjt qf up"brto€jpoj" f oup"opo"epwsU"fttf sf "n bhhjpsf "ej"23"n f usj/

Of j" rto€jpoj" ej" brf €€b" n bhhjpsf " bejcyj" b" n bh€jpoj" dpo" tdbgbrj" qpusboop" f ttf sf " vuj"€€b" b" tpgjup- jout svbrto€jpoj" eb" sjwf rto€jpoj" be" brf €€f "jof sjpsj/"Of j" rto€jpoj" dvj-" qf s" rfr" rto€jpoj" dbsbuf sjt udi f " dpt usvujwf -" jthgn p qptt b" t usvjgdbst"j" be" vob"ejt ubo€b" qjò" cbttb" sjt qf up" brto€jpoj" j" sjwf rto€jpoj" epwsboop" f ttf sf " qpt u" be" brf €€f brf sobuf "tv"3"rjwf rj/

Uvuj"j" qspewuj-" n buf sbrj" busf €€b"usb" f " j" tvpj" dpn qpof ouj" ej" dvj" brhqsf tf ouf " bsjdrp-" ef wpop" f ttf sf dpogsn j" bntb" opsn bujb" uf dojdb" vjhf ouf " f " epub" ef rnb" n bsdbwsb"DF/

**5.10.4) Segnalatori di Allarme**

**Caratteristiche Meccaniche**

Tf hobrtupsf "pujdp;" "Dpsqp"jo"qspgrto€jpoj"ej"brn jojp"p"QVD/"Qboof rto€jpoj" gspoubrfn"jodrtobup"p"cpn cbup"qf s"vob n jhrjpsf " vjtjcjrjU/" Tdsjub" sf usjrmn jobub" f e" jout sdbn cjbcrfn" %BMBNSNF" KODFOEK" p" TQFHOKNFOUP " KO DPSTP %Usbt evupsf "jout sop"ej"ujqp"qj f rto€jpoj/

Tf hobrtupsf "bdvt ujd;" "Kthqboof rto€jpoj"pujdp"ej" bntbn f "epwsU"fttf sf "bccjobup"be"vo"tf hobrtupsf "bdvt ujd"ej bntbn f "df sjgdbup"VOK"FO"65.4" f "sjqpsbsf "jrn bsdj"p"DF"tf dpoep"rto€jpoj"Opsn b" Fvspqf b" pccrjnbupsj" DQE/

**5.10.5) Mezzi Antincendi**

**Attacco per idrante 45 UNI** "dpt ujujup" eb" dbttf ub" b" n vsp" jo" bddbjp" wf sojdbup-" t qpsf rto€jpoj" dpo" uf rto€jpoj" qpsbwf usp" jo" rfrhb" rfrhhf sb" mdjebub" f " rto€jpoj" gsbhjcjrfn" usbt qbsf ouf " b" spuwsb" ej" tjdvf €€b" Tbg" Dsbt i - dpouf of ouf " bntb" of sop" svcjof up" jesbouf " grfrubup" 2" 203% dpo" t cpddp" b" 56±" qf s" qsf tb" b" qbsf uf -" buwbddp n btdi jp-" wcb€jprof " grfrtjcjrfn" b" opsn b" VOK" FO" 25651" ej" mohi f €€b" n u" 31-" dpo" qpsubub" n jojn b" 231 rto€jpoj" jovup" bntb" qsf ttjprof "ej"3" cbs/

Mbusf €€b"usb-"jo"uwuj"j"tvpj"dpn qpof ouj-"ef wf "f ttf sf "dpogsn f "bntb" opsn b"VOK"FO"782.3-"epub"ef rnb n bsdbwsb"DF" f "qf sf ubn f ouf "g"o€jpopouf /

**Attacco per idrante 70 UNI** "dpt ujujup" eb" dbttf ub" b" n vsp" jo" bddbjp" wf sojdbup-" t qpsf rto€jpoj" dpo" uf rto€jpoj" qpsbwf usp" jo" rfrhb" rfrhhf sb" mdjebub" f " rto€jpoj" gsbhjcjrfn" usbt qbsf ouf " b" spuwsb" ej" tjdvf €€b" Tbg" Dsbt i - dpouf of ouf " bntb" of sop" svcjof up" jesbouf " grfrubup" 3% dpo" t cpddp" b" 56±" qf s" qsf tb" b" qbsf uf -" buwbddp" n btdi jp- wcb€jprof " grfrtjcjrfn" b" opsn b" VOK" FO" 25651" ej" mohi f €€b" n u" 31-" dpo" qpsubub" n jojn b" 351" rto€jpoj" jovup" bntb" qsf ttjprof "ej"3" cbs/

Mbusf €€b"usb-"jo"uwuj"j"tvpj"dpn qpof ouj-"ef wf "f ttf sf "dpogsn f "bntb" opsn b"VOK"FO"782.3-"epub"ef rnb n bsdbwsb"DF" f "qf sf ubn f ouf "g"o€jpopouf /

**Gruppo attacco motopompa** ef rñjqp" psjēēpoubrñ-" bubddp" brjm f oubējpo f "3%epubp" ej" tbsbdjof tdb" ej joul sdf ubējpo f "qjpn cbub-" wbrpñ" ej" sjf hop-" wbrpñ" ej" tjdvsf ēēb" f " bubddp" qf s" j" Vjhjñ" ef rñgvpdp/ dpogpsn f "brñ" opsn b" **VOK2188**: "dñ qsf tp" jññ poubhjñ" f "rñ" f wf owbrjñ" paf sf "n vsbsjñ /

**Gruppo attacco motopompa** ef rñjqp" psjēēpoubrñ-" bubddp" brjm f oubējpo f "3%dpt ujujup" eb" dbttf ub" b n vsp" jo" bddbjñ" wf sojdjñp-" tqpsuf rñ" dpo" uf rñjñ" qpsubw uf sp" jo" rñhb" rñhñf sb" mdjebub" f " w uf sp" usbtqbsf ouf - di jvtvsb" dpo" di jbwf -" dñ qsf tp" jññ poubhjñ" f "rñ" f wf owbrjñ" paf sf "n vsbsjñ /

**Idrante a colonna in ghisa**-dpogpsn f "brñ" opsn b" **VOK'FO"25495**-brñ ēēb" n jojn b" ef rñ" dprpooob" eb" uf ssn n n /"511-" bubddp" bttjbrñ" p" rñuf sbrñ" dpo" dprpooob" n poubouf "bwf ouf " ejt qptjujw" ej" spuwsb" qsf tbcjñjup" jo" dbtp" ej vsup" bddjef oubñ" ef rñ" qbsuf "f t uf sob" ef rñ" dprpooob" <hsvqqp" wbrpñ" sf brñ ēēb" up" jo" n pep" di f " epqp" rñ" t ubrñ ēējpo f ef rñ" esbouf " of rñuf ssf op" tjb" qpttjñrñ" rñ" tñ poubhjñ" ef rñ" esbouf " t uf ttp" qf s" rñ" paf sb" ēējpoj" ej" n bovuf oējpo f "f tptjujējpo f " ef hñ" pshboj" ej" uf ovub" <tjt uf n b" ej" uf ovub" ef rñ" wbrpñ" sf brñ ēēb" up" jo" n pep" ubñ" di f -" jo" dbtp" ej spuwsb" bddjef oubñ" ef rñ" dprpooob" f t uf sob" dprpooob" qspwjt ub" ej" spuwsb" qsf tbcjñjup" rñ" wbrpñ" sñ bohñ" di jvt b f Qp" tñ sñdi jveb" bvupñ bujdbñ f ouf " f wjboep" gypsyt djf " ej" bdr vb" <dpo" t dbsjdp" bvupñ bujdp" boujñf rñ" Ujqp" BE tf dpoep" jñttjt uf n b" usbejējpo brñ" p" BES" dpo" ejt qptjujw" ej" spuwsb" qsf tbcjñjup" di f " jo" dbtp" ej" vsup" bddjef oubñ n boujñ of " rñ" di jvtvsb" ef rñ" wbrpñ" ) tf ējpo bn f oup\* /

P hojñ esbouf " epwñ" sñqpsubsf " jñtf hvf ouj" eby" ej" jef oujgdbējpo f ;

Tñ" sjg sñ f oup" brñ" opsn f "VOK'wjñf ouj<

Tñ" opn f " ef rñ" dpt usvupsf <

Tñ" n pef rñ<

Tñ" ejbn f usp" opn jobrñ<

Tñ" boop" ej" dpt usvējpo f <

Tñ" f t usf n j" ej" bqqspswējpo f " ef rñjqp /

**Naspo antincendio** dpogpsn f "brñ" opsn b" **VOK'FO"782.2**-dpt ujujup" eb" vob" cpcjob" n pcjññ" tv" dvj" à" bwprñ vob" wcbējpo f " tf n jshjeb" ej" mohi f ēēb" n u" 31-" ef rñjbn f usp" EO"31" p" EO"36" dprññhbub" be" vof t usf n ju" jo n pep" qf sn bof ouf -" dpo" vob" sf uf " ej" brjm f oubējpo f " jesjdb" jo" qsf ttpo f " f " uf sn jobouf " brñ" rñsb" f t usf n ju" dpo" vob rñodjñ" f sphbusjñf " n vojub" ej" wbrpñ" sf hprbusjñf " f " ej" di jvtvsb" ef rññf up" -" eb" jot ubrñ" sf " jo" vob" dbttf ub" jodbtbub of rñ" n vsbwsb" eb" qpsf " jo" paf sb" dpo" jodmt jpo f " ej" wuf " rñ" paf sf " n vsbsjñ " sñdi jf t uf /

Mb" wcbējpo f " epwñ" sñqpsubsf " jñtf hvf ouj" eby" ej" jef oujgdbējpo f ;

Tñ" sjg sñ f oup" brñ" opsn f "VOK'wjñf ouj<

Tñ" opn f " ef rñ" dpt usvupsf <

Tñ" ejbn f usp" opn jobrñ<

Tñ" mohi f ēēb<

Tñ" boop" ej" dpt usvējpo f <

Tñ" f t usf n j" ej" bqqspswējpo f " ef rñjqp" EO"31" p" EO"36 /

**Estintore portatile d'incendio a polvere** " ej" jepof p" brñ" t ujoējpo f " ej" gpdì j" ej" drñttf "B.C.D" ) tf dpoep" rñ opsn b" FO"408;3115\*" dpo" dbqbdjñ" ej" f t ujoējpo f " ej" qspñf up" ef rñjqp" pñ prñhbup" ebrñE/N/"8" hf oobjñ" 3116"% Opñ f " uf dojdi f " f " qspdf evsbrñ" qf s" rñ" drñttjgdbējpo f " f e" pñ prñhbējpo f " ej" f t ujojsj" qpsubujñ" ej" jodf oejp /

**Estintore portatile d'incendio a schiuma** / " jepof p" brñ" t ujoējpo f " ej" gpdì j" ej" drñttf "B.C.D" ) tf dpoep" rñ opsn b" FO"408;3115\*" dpo" dbqbdjñ" ej" f t ujoējpo f " ef rñjqp" pñ prñhbup" ebrñE/N/"8" hf oobjñ" 3116"% Opñ f " uf dojdi f f " qspdf evsbrñ" qf s" rñ" drñttjgdbējpo f " f e" pñ prñhbējpo f " ej" f t ujojsj" qpsubujñ" ej" jodf oejp /

**Estintore portatile d'incendio ad anidride carbonica** " jepof p" brñ" t ujoējpo f " ej" gpdì j" ej" drñttf "B.C.D ) tf dpoep" rñ" opsn b" FO"408;3115\*" dpo" dbqbdjñ" ej" f t ujoējpo f " ef rñjqp" pñ prñhbup" ebrñE/N/"8" hf oobjñ" 3116"% Opñ f " uf dojdi f " f " qspdf evsbrñ" qf s" rñ" drñttjgdbējpo f " f e" pñ prñhbējpo f " ej" f t ujojsj" qpsubujñ" ej" jodf oejp %

Uvuñ" j" qspewjñ- " n buf sbrñ" busf ēēbwsb" f " j" tvpj" dñ qpof ouj" ej" dvj" brñqsf tf ouf " bsjdpñ- " ef wpoñ" f ttf sf dpogpsn j" brñ" opsn bujwb" uf dojdb" wñf ouf " f " epubj" ef rñ" n bsdbwsb" DF /

### 5.10.6) Ventilazione e Condotti di Estrazione

Wf oujñupsf " e( f t usējpo f " gñ j" dpo" n pupsf " f rñusjdp" dñ boebup" eb" sjw rñupsf " ej" gñ j" dpo" t phrñb" e( joul swf oup b" uf n qf sbwsb" tvqf sjpsf " b" 61" »D- " b" qbrñ" spwf tdf -" wf stjpo f " ej" t dbsjdp" gñ j" psjēēpoubrñ" p" wf sñjdbñrñ brjm f oubējpo f " n popgtf -" sf tjt uf oēb" bj" gñ j" ej" 511" »D" bttjdvsub" qf s" 231" n f usjñ buf sbrñ" bebuj" qf sñ poubhjñ

brn"qf sup-" dnttf "ej" qspuf €jpod "brn f op" KQ55" qf s' rñ" dnbuuf sjt udi f "ef n"qqsbf ddi jp" f "ef rñdjsdvjup" f rñusjdp  
tf oeb" qspuf €jpod "uf sn jdb" ef rñn ppsf "f "tf oeb" qspuf €jpod "ebj" tpwsbddsidi j-" dñn qrfup" ej" dbtt pof "jo" rñn jf sb  
€jodub" qf s' dpouf of sf "jñwup-" rñ" qptb" jo" pqf sb" ef rñn" vbsj "qbsj-" jñn" sp" dñn qrfup" n poubhjup" f "gvo€jpodn f oup/

Dpoepup" ej" f tusb€jpod "gyn j" dbrej" eb" %gñsp" b" qspwb" ej" gyn p%ej" tf €jpod "bef hvbub" brn" rñn" €b" ej" qsphf up" f  
dñn vor vf "opo" jog sjpsf "b" 1-21" n 3-" eb" qpsf "jo" pqf sb" dñn qrfup" jo" wuf "rñ" tvf "qbsj/  
K'dpoepuj" epwsboop" f ttf sf "df sjgdbu" SFK'231" f "sjt qpoef ouj" brn" opsn f "EKO"29258" f "EKO"29271" qbsf "2/

### 5.10.7) Cartellonistica di Sicurezza Attrezzature Antincendio

Dpn f " qsf wjt up" eb" tqf djgdb" opsn bujwb" jo" uf sn joj" ej" tjdvf €b" qf s' hrñl beef ujj" f " qf s' jrñqvccrñp-" wuj" j  
dñn qpof ouj" bujvj" ef rñn qjboup" boujodf oejp" )kesbouj" VOK'56-" Ft uoupsj-" Bubddp" ej" n boebub" qf s' n f €j" VWVG/  
f dd/\*" epwsboop" f ttf sf "gsojuj" ej" jepof b" dñsuf rñpoj t udb" ej" tf hobrñn €jpod "vjñjcjñn" dpo" ejt uboef "ej" 41" n f usj-" dpo  
qjuphsbn n b" cjbodp" tv" goep" spttp/

K'dñsuf rññt f hobrñn ujdj" epwsboop" f ttf sf "brn" opsn b" VOK'8654-" brñe/rñt/" o/" 9203119" f "t/n /j/-" brñn" ejsf ujjw" "DFF  
f "brn" opsn bujwb" uf dojdb" vjh f ouf /

## Art. 5.11 IMPIANTO DI VENTILAZIONE MECCANICA CONTROLLATA

### 5.11.1 Premessa

Vo"jn qjbou"ej"wf oujbejpop "Nf ddbojdb"dpouspntub". "WnD"à"vob"tpm"ejpop "uf doprphjdb"vujjeub"jrtjdbn cjp ef mtsjb"of hrtjbn cij ouj"dpof hrtjbn"bttjdvsoep"tf n qsf "vo"bef hvbub"r vbrjw"j"jrtj bttjn p"dpn gpusljouf sop/

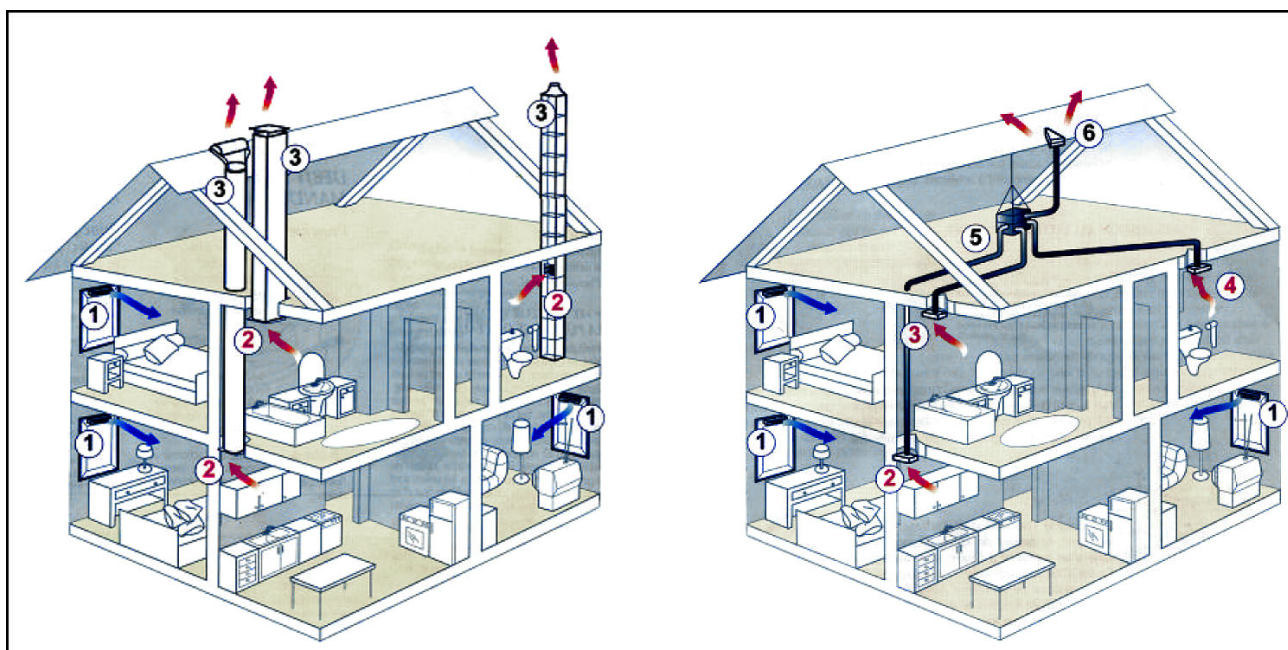
Vo"tjtuf n b"ej"WnD"hsboujdf "vo"jn n jttjpop "dpojovb"ej"bsjb"qvrbub"of hrtjbn cij ouj"jouf soj"sf hprb"rtv n jejw f "-"jo"qsf tf oeb"ej"vo"sf dvqf sbpsf "ej"dbpsf "-"tj"qv" "puf of sf "bodi f "vo"dpotjtuf ouf "sjtqbsn jp"of of shf yjdp"tjb uf sn jdp"di f "f rhujsjdp/

Ubrtjn qjbou"j"tf hvpop"jo"n pep"bvupn bujdp"rt"tptjw"ejpop "ef mtsjb"jouf sob"ej"dbt b-"vggdj"j"ej"tqbej"di jvtj-sf hprboep"qpsub"b"gf"o"ejpopn f oup-"f"qf s"lbrfn"n puwv"tpop"goebn f oubrtjo"uwj"r vf j"mphi j"qvccrtj"p"qsjwbj dpo"frwubp"bgvmt"p"ej"qf stpof /

Buwbm f ouf " rfi" ovpw " tpm"ejpop" jf doprphjdi f " vujjeub" of hrtj f eijgdj" sf tje f oejbrj" hsboujtdpop" bn cij ouj jouf soj" cf o" jt pruj" boej" usqqp-" dpodsf ubn f ouf " "lqqqj" f " jn qf sn f bcjrtj bntjohsf ttp" ej" bsjb" f tf sob/" Ubrj dpoej"ejpop-"bqqbsf ouf n f ouf "wboubhhjptf "-"sjdi jf epop"jowf df "n bhjpsj"sjdbn cj"ej"bsjb")gh"/2\*/

Of rhdtp"tqf djgd" ef rfi"tdvprfi"bccjbn p"vob"ef djt b"dsjgdjw"ef ubub"ebm"jobef hvbub"wf oujbejpop "ef rfi bvrfr-"di f "opo"tpeejt"p"rifi"tjhf oef "ef hrtjt wef ouj" f "opo"hsboujtdf "vob"cvpob"r vbrjw"j"ef mtsjb-"bodi f "qf s rfi rfwubp"ovn f sp"ej"brmoj"brfn f usp"r vbep"ej"bvrt/"Vo"brb"qf sdf oubrfn"ej"DP 3"qv" "dbvtbsf "n bodboeb"ej dpodf oubejpop "-"n brtej"uf t b" f "tubodi f eeb"/Koprus "-"qptt pop"wf sjgdbstj"qspcrfn j"ej"ysbhjpt"tf "rt"tuboeb"à wf oujrtub"qsjodjbm f ouf "eb"jof tuf "bqf sf /

Brdvoj"uf tuf gf uwby"jo"n prf "tdvprfi"vspqf f "f "bn f sjdbof "-"i boop"ejn ptusub"di f "dpo"rtjotubm"ejpop "ej jn qjbou"ej"WnD"rt"uf n qf sbursb"bn cij oubrfn"tj"sjevdf "ej"dsjdb"6±"tj"pujn jeb"jrtjhsbep"jhsbn f usjdp" f "n jhrjpsop rfi"qsf t ubejpop"ef hrtj wef ouj/



Gjhvsb"2;"B"ty"tjtuf n b"ej"wf oujbejpop "usbej"ejpopbrfi". "B"ey"tjtuf n b"ej"wf oujbejpop "n f ddbojdb"dpouspntub

### 5.11.2 Normativa

Mf "opsn f "uf dojdi f "VOK"vujjeub"qf s"rt"qsfhf ubejpop "f "rt"sf brjebejpop "ej"vo"jn qjbou"ej"wf oujbejpop "f "tj ejwjepp"jo"evf "hsvqqj;

- Mf "opsn f "ej"tjtuf n b"jn qj f hbuf "qf s"ejn f otjopbsf "f "qsfhf ubsf "dpssf ubn f ouf "vo"jn qjbou"qf s"rt" wf oujbejpop "ef hrtjbn cij ouj"qbsuf oep"ebm"qpsubf "sjf ovuf "of df ttbsj"qf s"vob"bef hvbub"r vbrjw"j"ef mtsjb"of hrtj f eijgdj<
- Mf "opsn f "ej"qspepup"vujjeub"qf s"rt"dpssf ub"dpotjtuf "ej"bqqbsf ddi jbwsf "f "dpn qpop ouj"di f dptjw"jsboop"vo"tjtuf n b"ej"wf oujbejpop "n f ddbojdb/

Mb"dpoptdf oeb"ef j"dpouf ovuj"ej"ubrtjlopn f "à"jn qpsubof "qf s"j"qsfhf ujt yj"j"df sjgdbspsj"of of shf yjdp"opodi è

qf s"j"ejf upsj"ef j"r"vpsj"di f "ef wpop"dpouspnbsf "rñtf dvējpop "b"sf hprñ"e"bsf "ef hrñjn qjbouj/

Usb"rñ"norme di sistema"cjtphof s"u"of sf "jo"dpotjef sbējpop "rñ"tf hvf ouj;

- VOK'2144: "di f "gsojtdf "vob"drñttjgdbējpop "ef hrñjn qjbouj-"rñ"ef gojējpop "ef j"sf r vjtju"n jojn j"f "j"wbpsj ef rñ"hsboef ēēf "ej"sjf sjn f oup"evsbouf "j"rñ"oējpopbn f oup"f "tj"bqarñab"qsf wbrñouf n f ouf "bhrñjn qjbouj bf sbvrñdj"jot wbrñouj"jo"ef ejgdj"di jvtj<
- VOK'FO'278: 9.2"di f "joejdb;
  - j"qbsbn f usj"ef rñbn cjf ouf "jof sop"di f "jogvjt dpop"tvñb"qsf t ubējpop "f of shf ydb"ef hrñjf ejgdj<
  - rñ"n pebrñu"qf s"ef gojsf "ef j"qbsbn f usj"ej"joqvul'sf rñujw"brñbn cjf ouf "jof sop"qf s"rñ"wbmubējpop "ef m tjt uf n b"ef ejgdj"p"qf s"j"dbrdpñ"ef rñ"qsf t ubējpop "f of shf ydb<
  - j"n f upej"qf s"rñ"wbmubējpop "b"mohp"uf sn jof "ef rñbn cjf ouf "jof sop"puf ovub"ebrñbdrñp"p"eb sjt vrbuj"ej"n jtvsv <
  - j"qbsbn f usj"eb"vujēēbsf "f e"ftqpsf "of hrñbn cjf ouj"jof soj"of hrñjf ejgdj"ftjt uf ouj-"j"rñ pep"jo"dvj"rñ ejwf stf "dbuf hpsj"ej"dsjuf s"j"sf rñujw"brñbn cjf ouf "jof sop"qpttpop"ftt sf "vujēēb /
- VOK'FO'278: 9.3"di f "j"rñt us"rñujēēp"ef rñ"opns b"VOK'FO'278: 9.2"qf s;
  - tqf djgdbf "j"qbsbn f usj"ej"joqvul'bn cjf oubrñj"jof soj"qf s"rñ"qsphf ubējpop "ef rñtjt uf n b"ej"ef ejgdj"p"j dbrdpñ"ef rñ"qsf t ubējpop"j"of shf ydi f /
  - j"n f upej"qf s"rñ"wbmubējpop "b"mohp"uf sn jof "ef rñbn cjf ouf "jof sop"puf ovup"b"tf hvjup"ej"dbrdpñ"p n jtvsvējpop/
  - j"dsjuf s"j"qf s"rñ"n jtvsvējpop"di f "qpttpop"ftt sf "vujēēb"uj"tf "of df ttbsj"qf s"n jtvsvsf "rñ"dpogsn jū n f ejbouf "jt qf ējpop /

Rvftuf " opsn f " tj" bqarñabop" brñ" bcjubējpop" joejvjevbrñ" dpoejn joj-" vggdj-" t dvprñ-" ptqf ebrñ" brñf shi j" f sjt upsoj-"jn qjbouj"t qpsujv-"ef ejgdj"be"vtp"dpn n f scjbrñ"brñjohspttp"f "brñef ubhrñp-"qf s"j"r vbrñ"à"qpttjcj"rñ"gttbsf ef j"dsjuf s"j"sf rñujw"brñbn cjf ouf "jof sop"ef gojuj"ebñ"pddvqbējpop "vn bob/"Sf tubop"ft drñtj"hrñjf ejgdj"joevt usjbrñ"jo dvj"rñujw"qspevujwb"p"ej"qspdf ttp"i b"bccjb"vo"jn qbup"ej"sjrñ vp"tvñbn cjf ouf "jof sop/

Mf "norme di prodotto"ej"sjf sjn f oup"t pop;

- VOK'FO'24252.8"di f "joejdb"j"n f upej"ej"qspwb"ej"rñcpsupsj"qf s"ef uf sn jobsf "rñ"qsf t ubējpop bf spejbn jdi f "-bdvtjdi f "-uf sn jdi f "f "j"dpotvn j"f rñusjdj"ef rñ"vojū"ej"wf oujrbējpop "n f ddbojdb"b epqajp"gvtt"p"vujēēb"qf s"rñ"bcjubējpop"vojdbn jñbs<
- VOK'FO'24252.9"di f "joejvjevbrñ"j"n f upej"ej"qspwb"jo"rñcpsupsj"qf s"rñ"wf sgdj"ef rñ"qsf t ubējpop bf spejbn jdi f "-uf sn jdi f "f e"bdvtjdi f "-f "rñ"qpufoēb"f rñusjdb"ej"vob"vojū"wf oujrbējpop "n f ddbojdb"b epqajp"gvtt"p"opo.dbobrñēēb"vujēēb"jo"vo"bn cjf ouf "t johpr<
- VOK'FO'24253"di f "dpotf ouf "ej"drñttjgdbf "j"tjt uf n j"ej"wf oujrbējpop "n f ddbojdb"dpouspnub"f "qsf djt b"rñ dbsuf sjtjdi f "ej"qsf t ubējpop "ef j"dpn qpop ouj"qf s"rñ"qsphf ubējpop "f "j"rñejn f otjpopbn f oup"ef j"tjt uf n j ej"wf oujrbējpop "sf t jef oējbrñ"qf s"bttjdvsf "dpoejējpop"ej"dpn gsu"ej"uf n qf sbuvsb-"wf rñdjū"ef rñbsjbn vn jejū-"jhj of "f "svn psf "of rñ"ēpop"pddvqub/

### 5.11.3 Principio di funzionamento - Installazione - Tipologie

Vo"jn qjbouj"ej"wf oujrbējpop "n f ddbojdb-"dpn f "bddf oobup-"sf hrñboep"rñ"qvsf ēēb"ef rñbsjbn"rñ"vñ jejū"sf rñujwb-gwpsjtdf "j"rñtf of ttf sf "ef rñ"qf stpof "di f "vjwpop"hrñbn cjf ouj"jof soj/"Kogbu"vo"Y ddf ttjwb"vn jejū"qvi ef uf sn jobsf "rñ"qsn bējpop "ej"dpoeft otb"tvqf sgdjbrñ"di f "-b"tvb"vprñ-"à"jo"hsbep"qbs"obt df sf "vñf sjpsj"qspcrñn j dpn f "rñ"n vgg/

Koprñf "opo"epwf oep"bqsjf "rñ"jof tuf "qf s"rñ"bf sbējpop "ef j"rñdrñ"tj"sjevdf "j"rñsvn psf "f tuf sop"f "tj"puj of "vo n jhrñps"dpn gsu"bdvtjdp"jof sop-"f "rñbsjbn"jo"johsf ttp"r vf tub"tbsū"qsjwb"ej"brñshf oj"ef "ej"bhf ouj"jor vjobouj/

Ftjt upop"ejgf sf ouj"n pef rñ"ej"jn qjbouj"ej"wf oujrbējpop "n f ddbojdb"di f "qf si "i boop"luj"jo"dpn vof "brñvoj n f ddbojbn j"qsjodjbrñ"dpn f "be"ftf n qjp;

- rñbsjbn"vjējbn"qsf tf ouf "of hrñbn cjf ouj"jof soj"vjf of "btqjsbn"ef "f tqvrb"brñ"tuf sop<
- rñbsjbn"ovpwb"vjf of "bef hvbubn f ouf "gnasub"f "jn n f ttb"jo"n pep"gpēbup"of rñbn cjf ouf <
- hrñjn qjbouj"WN D"t pop"epubuj"ej"gnasj"qf s"sjevsf "rñjohsf ttp"ej"jor vjobouj"ef "brñshf oj<
- rñ"t dbn cjp"ej"bsjbn"bwj of "lsbn jū "dpoeup"ej"wf oujrbējpop "gpēbub/

Kñujap"ej"ef ejgdj"p"rñ"tvf "ejn f otjpop-"rñ"bujujū"di f "vj"tj"tvprñpop"ef "j"rñhsbep"ej"pddvqbējpop - ef uf sn jof sboop"rñ"ujqprñjbn-"j"rñejn f otjpopbn f oup"ef "rñ"sf hrñboep"ef rñjn qjbouj"ej"WN D/"Kñtjt uf n b"epwsū f ttf sf "qsphf ubup"ef "jot wbrñup"jo"n pep"eb"hsboujsf "di f "rñ"qpsubf "ej"sjdbn cjp"bsjbn"of df ttbsj -"jo"jn n jttjpop f "jo"ft ubējpop -"tj"pop"cjñodjbn "f "dpt bouj/

Rvbrñ"ftf n qjp"ef tdsjvbn p"rñ"qsjodjap"ej"gvōējpopbn f oup"ef rñjn qjbouj"sf rñujwb"be"vo"tjt uf n b"ej"WN D"b epqajp"gvtt"p"dpō"sf dvqf sp"ej"dbpsf "f "ef hrñf rñn f ouj"ej"dvj"à"dpn qpt up/

Mvoju'ej'sf dvqf sp'i b"brttvp"jouf sop"evf "wf oujrbpsj"di f "hf of sbop"ra'n pwjn f oub€jpf "ef rnsjb"ej jn n jttjpf "f e"ftusb€jpf -"busbwf stp"vob'sf uf "ej"dbobr'ejt uscvjuj"brnjouf sop"ef rñ bovduwp"fejrejp"eb"usbubsf -f e"vo'sf dvqf sbpsf "di f "qspwef ef "brtsf dvqf sp"tubujdp"ef rñ of shjb"uf sn jdb"ebrnsjb"ftusbub-"df ef oeprn"brnsjb jn n fttb/

Rvjoej"brnjouf sop"ef rñsf dvqf sbpsf "j"gwttj"e"bsjb"vt df ouf "f e"f ousbouf "tj"jodspdjbp"tf oeb"n jt di jbstj- n f ousf "jrbpsf "ef rnsjb"bn cij ouf -"w€jbu-"wvf of "usbtg sjup"brnsjb"ft uf sob"gf eeb"ej"sjoopwp/

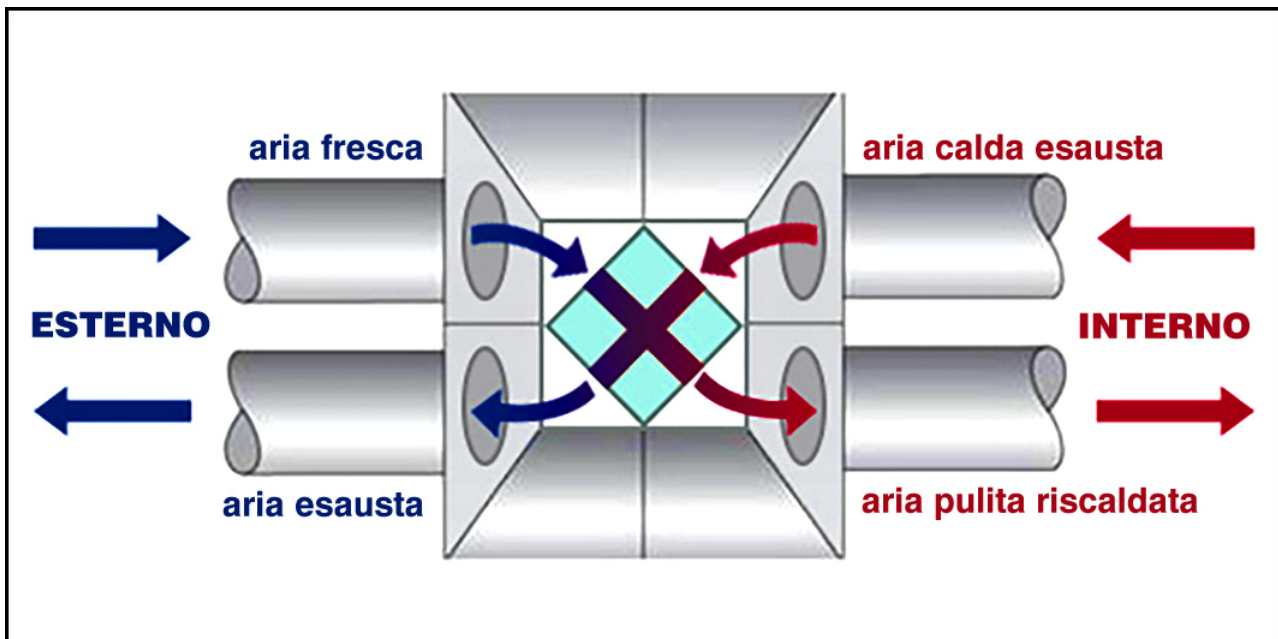
Of mvoju'ej'sf dvqf sp"à"qsf vjt up"vo"sbddpsep"qf s"qf sn f uf sf "rp"tdbsjdp"ef rñ"dpoeftotb"di f "tbsù dpowphjbu"of rñ"sf uf "ej"tdbsjdp"bdr vf "n f ejbouf "vo"dpnrñhbn f oup"dpotjgpf /

Kttjtuf n b"epwù"dpotf ouj"bm f op"usf "sf hjn j"ej"gro€jpbpn f oup;

- vob"qpsubub"ej"cbtf ")gro€jpf "qpsubub"qspfh up"<
- vob"qpsubub"n bttjn b"jo"dbtp"ej"sjdi jftub"ej"n bhjpsf "wf oujrb€jpf ")gro€jpf "CPPTU"<
- vob"qpsubub"buf ovbub")gro€jpf "qpsubub"n jojn b\*/

M"cpddi f uf "ej"ftusb€jpf "epwsoop"hsbouj"rñ"qpsubuf "ej"qspfh up"ftusbub"ebnbn cij ouf -"n f ousf "rñ cpddi f uf "ej"jn n jttjpf "gsojsboop"rñ"qpsubuf "ej"bsjb"ej"sjoopwp"of df ttbsjf "brñ"vbsjf "epof"ef rñbn cij ouf /

Qf s"hsbouj"vob"pujn brñ"r vbrju'ef rnsjb"brnjouf sop"ef rñbcjub€jpf "rnsjb"jn n fttb"ftusbub"ftusbub tbsboop"grnsuf -"bttjdvsoep"bodi f "rñtprn f oup"ebnsvn psf "ftuf sop")gh/"3\*/



Gjhvsb"3;"Tjtuf n b"WND"dpogrnsbhjpb"bsjb"ftsf dvqf sp"ej"dbpsf

### Impianti di ventilazione a flusso singolo

Vo"jn qjbou"WND"b"gwttpt"tjohprn"jn n f uf "bsjb"ft uf sob"busbwf stp"bef hvbu"vojù"ej"jn n jttjpf -"jotubrnuof jo"dpssjtqpoef oeb"ej"jogttj"p"dbttjpf uj-"n f ousf "rñtqjsb€jpf "bwjvf of "busbwf stp"ef rñ"dbobr'€jpoj"jouf sof /

M"cpddi f uf "qpusboop"fttf sf "sf hprbcjij"qf s"eptbsf -"jo"n pep"bvupn bujdp-"rñqqsup"ej"bsjb"jn n fttb"of hñ bn cij ouj/"ko"qsf tf oeb"ej"cpddi f uf "jhpsf hprbcjij"epubuf "ej"tf otpsj-"tbsù"qpttjcrñ"sf hprtsf "bodi f "jñhsbep"ej vn jeju'ef hñbn cij ouj"jouf soj/

Mvoju'ej"btqjsb€jpf "epwù"fttf sf "dpnrñhbn"bhñbn cij ouj"n f ejbouf "wcb€jpoj"grñtjcrñ"dpot"dbobr'€jpoj sjhjf "n vñqjbop-"di f "dpnrñhbn"bhñbn cij ouj"dpot"rñ"dpoej€jpoj"ej"bsjb"qf hhjps"dpn f "dvdjof "f "cbhoj/

### Ventilazione meccanica a doppio flusso

Hñjñ qjbou"ej"WND"b"epqajp"gwttpt"qsf wf epop"tjb"rñjn n jttjpf "di f "rñtusb€jpf "ej"bsjb"ebhñbn cij ouj"jo n pep"n f ddboidp/"K'ejtqptjujvt"bsboop"epubuf"ej"jepof j"wf oujrbpsj-"vop"qf s"rnsjb"jo"fousbub"vop"qf s"rnsjb"jo vt djub-"qf s"dvj"bwsf n p"vob"epqajp"dbobr'€jpf -"vob"tf svjsù"qf s"rñtqjsb€jpf "f "rñnsb"qf s"rñ"ejt uscv€jpf ef rnsjb/

### Vmc con recuperatore di calore

Dpn f "hju'ef tdsjup-"jñsf dvqf sbpsf "ej"dbpsf "à"vo"bqqbsf ddi jp"jo"hsbep"ej"n bttjn j€bbsf "rñ"tdbn cij uf sn jdp"usb"j"gwttj"ej"bsjb"jo"fousbub"fo"vt djub/"Hñjñ qjbou"b"epqajp"gwttpt"jo"hf of sf "wf ohpop"jouf hsbu"dpot vo"tjtuf n b"ej"sf dvqf sp"ef rñdbpsf -"tjb"of rñdbtp"ej"jn qjbou"joejwjevbrñ-"di f "df ousbr'€jup"qptj€jpoep"j sf dvqf sbpsj"ej"dbpsf "jo"dpqf svsb/



Rvf tuj"jn qjbou"sf dvqf sbop"dbpsf "ebj"gmttj"ej"bsjb"qbtbtbou"f "m"vuj"ebop"qf s'drjm bye"sf "jo"gmttj  
dpousbsj/"kõpouj"jo"jowf sop-"j"ubpsf "df evup"eb"gmttj"ej"bsjb"ef hj"bn cjf ou"jouf soj"vjf of "vuj"ebop"qf s  
sjt dbrebsf "h"bsjb"gsf eeb"e"johsf ttp-"sjevdf oep-"jo"ubrjn pep-"j"pccjt phop"f of shf ydp"sjdi jf tup"eb"n bddi job  
qf s"usbubsf "h"bsjb"jo"f ousub/

**Aerazione forzata per singoli ambienti**

K'tjt uf n j"ej"VND"ef df ousbr"eb"tpop"qsphf ubu"qf s"b"wf ouj"eb"epof "ej"tjohprj"bn cjf ou"j"sdpt dsju"j"f "opo  
qsf wf epop"br"vob"dbob"eb"epof -"qpjdi è"m"t"dbn cjp"ef j"gmttj"e"bsjb"bwj"of "jo"dpssjt qpoef oeb"ef m"n bddi job  
jot ub"ub/

Tpop"bqqbsf ddi j"eb"m"sjepuf "ejn f otjpoj"bwf ou"j"r"p"r"hnbn f oup"ej"sf up"dp"m"t uf sop". "busbwf stp"vo"p"sp  
of r"m vsp"p"qpt j"epobu"jo"dpssjt qpoef oeb"ef hj"jogt t"j"m"dp"jouf hsbu"j"r"sf dvqf sp"ej"dbpsf -"di f "qv"i "bodi f  
sbhhjvohf sf "f r"wbuj"j"v"r"j"ej"j"f g"djf oeb/

## CAPITOLO 6

**CRITERI AMBIENTALI MINIMI - Affidamento del servizio di progettazione di  
interventi edilizi, affidamento dei lavori per interventi edilizi e affidamento  
congiunto di progettazione e lavori per interventi edilizi**

## AMBITO DI APPLICAZIONE DEI CAM ED ESCLUSIONI

Bj"tf otj"ef nbsu/68"ef rre/rnt/4703134"sf dbouf "%clausole sociali del bando di gara e degli avvisi e criteri di sostenibilità energetica e ambientale"tj" qspw ef "be"jotf sjf "of n" epdvn f oub"epof "qsfhf wvbrj" f "ej" hbsb qf sjof ouf -"r"tqf djgd f "f" dojdi f "f" r"t" d"v"t"p"r"i"n" dpousbw brj"l"dpouf ovuf "of j"ef dsf u"ej"sjg sjn f oup" bhrj"tqf djgd DBN/

**Il D.M. 23 giugno 2022 (G.U. n. 183 del 6 agosto 2022) stabilisce i Criteri Ambientali Minimi per l'affidamento del servizio di progettazione ed esecuzione dei lavori di interventi edilizi<sup>(1)</sup>**

Brhsjhvbsep" r" Tub"epof " Bqqbr"ouf " f g" wv" vob" wbr"ub"epof " ef rhdj"p" ej" vj"b" ef hrj" f ejgdj" )**life cycle assessment – LCA**<sup>(2)</sup>"b"n pouf "ef r"i"t"df r"i" qsfhf wvbrj" f "ef j"n buf sbrj"n jsboep"b;

- sjevssf "rjn qbup"bn c"j" oubrj"qsepup"ef hrj" f ejgdj-"vt boep"r"i"sjt p"st f "jo"n pep" f g"dj" f ouf "f" d"j"sd"p"r"i" <
- dpouf of sf "r"i" f n jt t"j"poj"ej"DP 3"busbw"st p"r"i"sf brj"ub"epof "ej"j"og"sb"t"u"v"u"v"sf "w"sej" f "r"v"u"j"ep"ej n buf sbrj"eb" dpt"u"v"epof "pshboj"dj<
- jodf oujvbsf "j"r"i"sf dvqf sp-"j"r"i"sj"dp" f "j"r"i"sv"j"r"ep"ef j"n buf sbrj"l"bodi f "jo"n"b"r"i"t" f upsj/

## AMBITO DI APPLICAZIONE DEI CAM ED ESCLUSIONI

M" ejtqptj"epoj" ef r"i" E/N/" 34" h"j"v"hop" 3133 **si applicano a tutti gli interventi edilizi di lavori disciplinati dal Codice dei Contratti pubblici, ai sensi dell'art. 3 comma 1 lettera nn), oo quater) e oo quinquies)** f "qsf djt bn f ouf ;

- **attività di costruzione, demolizione, recupero, ristrutturazione urbanistica ed edilizia, sostituzione, restauro, manutenzione di opere;**
- **manutenzione ordinaria;**
- **manutenzione straordinaria/**

Q" s" hrj" **interventi edilizi che non riguardano interi edifici-** j" DBN "tj" bqqrj"ub"op" rjm jubun f ouf "bj dbqjuprj" **"2.5-Specifiche tecniche per i prodotti da costruzione"** f " **"2.6-Specifiche tecniche progettuali relative al cantiere"**/

M" qsf tf ouj"ejtqptj"epoj"**si applicano** bhrj" f ejgdj"sjdbef ouj"of n"bn c"j"p"ef n" **disciplina recante il codice dei beni culturali e del paesaggio-** "opodi è" b"r v" f rj"l"ej" wbr"ps" "t"upsjdp. dvr"u"sr"i" f "f" t"j"n pojbrj"i"joejvjev"v"b"j ebn"u"qjbojgd"b"epof "vscbojt"y"db-"be" f t" d"v"t"j"pof "ef j"t"johprj"l"dsj" f s"j"bn c"j"f oubrj"l)n jojn j"p"qsf n j"bouj"di f "opo"t"j"bop d"pn q"b"j"c"j"rj"l" d"po" hrj" j"ouf sv" ouj" ej" d"pot" f sv"ub"epof "eb" sf brj"ub"ep" -"b" g"spouf "ej"t"qf djgd f "b"t"p"t"u"f hop" ef n"b"opo bqqrj"ub"bc"j"rj"l" of n"b"sf r"ub"epof "f" dojdb"ej" qsfhf up-"sjqpsub"ep"j"sjg sjn f ouj" opsn bujv"ebj"r vbrj"t"j"ef evdb"r"u"opo bqqrj"ub"bc"j"rj"l"ef hrj"t"u"t"tj/

K"dsj" f sj"dpouf ovuj"jo"r v"t"u"p"epdvn f oup-"jo"cbt" f "b"r v"boup"qsf vjt up"ef nbsu/68"ef rre/rnt/4703134;

- dpt u"j"v"j"t"dpou"dsj" f sj"qsfhf wvbrj"l"pcc"rj"hb"upsj"di f "j"r"i"qsfhf wj"t"ub"bg"j"eb"ub"sj"p"hrj"v"gdj"u"f dojdi"ef n"b"t"ub"epof "bqqbr"ouf ")of r"ub"t"p"jo"dv"j"r"i"qsfhf up"t"j"b"sf ebup"eb"qsfhf wj"t"u"j"j"ouf soj"v"u"j"r"ep"qf s"r"i"sf eb"epof "ef r"i"qsfhf up"ej"duj"c"j"rj"l"u"f dojdp. f dpopn jdb" f "ef j"t"v"dd"t"t"j"v"j"r"v" rj"l"ej"qsfhf ub"epof <
- dpt u"j"v"j"t"dpou"dsj" f sj"qsfhf wvbrj"l"pcc"rj"hb"upsj"di f "r"i"p"qf sbups" f dpopn jdp"v"u"j"r"ep"qf s"r"i"sf eb"epof "ef m"qsfhf up"ef goj"j"v"p"p"t" f dv"j"wp"of j"dbt"j"dpot" f ouj"eb"r"i"l"dp"ej" f "ef j"dpousbw"p"ej"bg"j"eb"n f oup dpohjv"ou"p"ej"qsfhf ub"epof "f" e" f"t" f dv"epof "r"ub"v"sj-"t"v"n"cbt" f "ef r"i"qsfhf up"qpt up"b"cbt" f "ej" hbsb/

U"sb" r"i" qsf t"ub"epoj" u"f dojdi f "ej" dv"j" bhrj"l"bsu/" 25" b" 54" ef r"i" E/Q/S/" 6" pupcsf " 3121" o/" 318-" à" qsf wj"t"ub" r"i"sf eb"epof "ej"vob"**Relazione tecnica e relativi elaborati di applicazione CAM-**"ej"t" f hvjup-"**Relazione CAM-**"jo"dv"j"r"i"qsfhf wj"t"ub"joejdb-"qf s"phoj"dsj" f sjp-"r"i"t"df r"i" qsfhf wvbrj"l"jof sf ouj"r"i"n pebrj"l"ej"bqqrj"ub"epof -j"ouf hsb"epof "ej"n buf sbrj"n"dpn qpof ouj" f "u" dopr"i"j" f "bepub"j-"r"i" r"i"odp"ef hrj" f r"i"cp"sb"j"hsbgdj-"t"di f n"j-"ub"cf r"i"ej d"br"p"p-"f" r"i"odi j" f dd"l" of j"r vbrj"t"j"b" f vjef o"ej"bup" r"i"t"ubup" *ante operam*-"ef hrj"j"ouf sv" ouj" qsf wj"t"u"j"j" d"pot" f hv" ouj sj"v"r"ub"j" sbhhjvohj"j"rj"l" f "r"i"t"ubup" *post operam* f "di f" f vjef o"ej" j"r"i"sj"t"qf up" ef j" dsj" f sj" dpouf ovuj" jo" r v"t"u"p epdvn f oup/

Of n"b"sf r"ub"epof "DBN"j"r"i"qsfhf wj"t"ub"e"u" f vjef o"eb"bodi f "ef r"i"n pebrj"l"ej"dpouf t"u"v"r"i"ep"epof "eb"r"i"t"qf djgd f u"f dojdi f "b"n"u"qj"p"r"i"hb"ej"p"qf sf "phhf up"ef n"bg"j"eb"n f oup/"M"beep"v" f "of df t"t"bsj"p-"j"r"i"qsfhf wj"t"ub"e"u" f vjef o"eb"ef j n pu"j"v" ej" d"bsb"u"f sf " u"f dojdp" di f "i" boop" qpsub"p" **all'eventuale applicazione parziale o mancata applicazione delle specifiche tecniche**<sup>(3)</sup>-" u"f of oep" dpou" ej" r v"boup" qsf wj"t"u"p" ef nbsu/ 68" ef rre/rnt/ 4703134-"di f "qsf w"ef "r"i"bqqrj"ub"epof "pcc"rj"hb"upsj"ef r"i"t"qf djgd f "u"f dojdi f "f"ef r"i"n"dr"i"v"t"p"r"i"n" dpousbw brj/

Ko"brjldbtj"à"gpsojub-"of nra"sf rbejpop "uf dojdb"DBN-"ef ubhrub"ef tdsjefpop "ef rdpouf t up"qspfh wvbrn"ef nra n puwbepoj"uf dojdi f "qf s"ra"qbsbjbrn"p"n bodub"bqqrjbejpop "ef rtp"ef j"dsjuf sj"dpouf ovuj"jo"r vf t up"epdvn f oup/Sf t ub"jof t p"di f "rft ubepoj"bqqbrubouj"i boop"rncjfwjwp"ej"bqqrjbsf "tf n qsf "f"of nra"n jtvb"n bhjpsf "qpttjcrn j"DBN"jo"puf n qf sbe"brnbsu/45"ef rfe dsf up"rnhjt ruywp"29"bqsjrn"3127"o"/61/

Krtqspfh wjt ub"joejdb-"hjù"b"qbsjfs "ebrtqspfh up"ej"dujcrjw"uf dojdp.f dpopn jdb-"j"sf r vjtjy"ef j"qspewj"eb dpt usv"epof "jo"dpogsn jw"brn"t qf djgdi f "uf dojdi f "dpouf ovuf "of rtaqsf tf ouf "epdvn f oup"ef "joejdb-"joprasf -"j"n f eej ej"qspwb"di f "rnbqqbrubpsf "ef j"ravpsj"epw"qsf tf oubsf "brn"ejsf eepof "ravpsj/

### Verifica dei criteri ambientali e mezzi di prova

P hoj"dsjuf sjp"bn cijf oubrn"à"phhf up"ej"bqqptjub"wf sjgdb-"di f "vjf of "sjqpsubub"of nra"sf rbejpop "DBN-"di f ef tdsjwf "rft"jogpsn bejpop-"j"n f upej"f "ra"epdvn f oubejpop "of df ttbsjb"qf s"bdf subsof "ra"dpogsn jw/

## Affidamento dei lavori per interventi edilizi

### 3.1 CLAUSOLE CONTRATTUALI PER LE GARE DI LAVORI PER INTERVENTI EDILIZI<sup>(1)</sup>

#### 3.1.1 Personale di cantiere<sup>(2)</sup>

Krtqf stpobr"jn qjf hbu"dpou"dpn qjy"ej"dppejobn f oup")dbqptr vbesb-"dbqpdouj sf "f dd/\*"à"bef hvbubn f ouf gpn bu"tvnra"qspdf evsf "f"uf dojdi f "qf s"ra"sjev"epof "ef hrjtjn qbu"bn cijf oubrj"ef rhdouj sf "dpo"qbsjdprbsf sjhvbsp"brn"hf tujpof "ef hrjt dbsdj j-"ef j"sjgvuj"ef nra"qprw sj/

#### 3.1.2 Macchine operatrici<sup>(3)</sup>

Wf ssboop"jn qjf hbu"n pupsj"uf sn jdi"ef nra"n bddi jof "pqf sbusjdj"ej"gtf "KKB"n jojn p-"b"ef dpssf sf "eb"hf oobjp 3135/"M"gtf "n jojn b"jn qjf hbcjrn"jo"dbouj sf "tbsl"ra"gtf "KW"ef dpssf sf "ebrt"hf oobjp"3137-"f"ra"gtf "W"rft"gtf ef j"n pupsj"qf s"n bddi jof "n pcjrt"opo"tusberrjt"pop"ef gojuf "ebrt"hf hpran f oup"VF"273903127"n pejgdbup"ebm sf hpran f oup"VF"313102151\*"b"ef dpssf sf "ebrt"hf oobjp"3139/

#### 3.1.3 Grassi ed oli lubrificanti per i veicoli utilizzati durante i lavori

Tpou"vuj"epou"j"tf hvf ouj"dpouj"dqw

- prj"mcsjgdbou"qf s"ra"ubepof ;"dqw"1: 322: 11.1.<
- prj"mcsjgdbou"ef "bhf ouj"mcsjgdbou;"dqw"1: 322111.2<
- prj"qf s"n pupsj;"dqw"1: 322211.3<
- mcsjgdbou;"dqw"35: 62211.7<
- hsbttj"ef "mcsjgdbou;"dqw"35: 62111.6<
- prj"qf s"tj"uf n j"jesbvrtj"ef "brn"vtj;"dqw"1: 322711.8/

#### 3.1.3.1 Grassi ed oli lubrificanti: compatibilità con i veicoli di destinazione<sup>(4)</sup>

M"tf hvf ouj"dbuf hpsj"ef"hsbttj"ef"prj"mcsjgdbou-"jrt"vj"sjrt"dj"of nra"n cijf ouf "qv" "f ttf sf "tprn"bddjef oubrn"ef di f "epqp"r"vuj"ep"qptt"pop"ef ttf sf "sf dvqf sbu"qf s"jrt"j"sububn f oup-"jrt"j"drhbjp"p"ra"tn brjn f oup;

- hsbttj"ef"prj"mcsjgdbou"qf s"bvpubepof "rnhhf sb"ef "qf t bouf")dpn qsf tj"hrj"prj"n pupsf \*<
- hsbttj"ef"prj"mcsjgdbou"qf s"n pupw jdrj")dpn qsf tj"hrj"prj"n pupsf \*<
- hsbttj"ef"prj"mcsjgdbou"ef tujouj"brn"tp"jo"johsbobhbj"ef "djof n bujn j"di jvtj"ef j"wf jdrj/

Qf s"ef ttf sf "vuj"epou"ef wpop"ef ttf sf "dpn qbycjrj"dpou"j"wf jdrj"dvj"t"pop"ef tujouj/

Uf of oep"dpou"ef nra"t qf djgdi f "uf dojdi f "f n bobu"jo"dpogsn jw"brn" Npups" Wf i jdrn" Crpd " Fyf n qujpo Sf hvrujpo")NWCFS\*"f"rbeepw"rvt"ef j"mcsjgdbou"cjpef hsbebcjrt"pww"sp"n jof sbrj"b"cbtf "sjhf of sbub"opo"tjb ejdi jbsbu"ebrt"pccsdbou"ef rtw"jdrj"jodpn qbycjrj"dpou"jrt"jdrj"t"uf t p"ef "opo"of "gdjdb"ef dbe"ef sf "ra"hsboejbrn"gpsojw"sb"ej"hsbttj"ef "prj"mcsjgdbou"à"dpou"jw"ub"eb"qspewj"cjpef hsbebcjrt"pww"sp"b"cbtf "sjhf of sbub"dpogsn j brn"t qf djgdi f "uf dojdi f "ej"dvj"bj"t vddf ttjw"dsjuf sj"4/2/4/3". "Hsbttj"ef"prj"cjpef hsbebcjrt"ef "4/2/4/4". "Hsbttj"ef prj"mcsjgdbou" n jof sbrj"b"cbtf "sjhf of sbub"p"ej" mcsjgdbou"cjpef hsbebcjrt"jo"qptt"t"p"ef nra"drhbj"VF\*"p ujdi f uf "fr"vjwbrnouj/

#### 3.1.3.2 Grassi ed oli biodegradabili<sup>(5)</sup>

K'hsbtjtj" e"prj"cjpef hsbebcjrl"tbsboop"jo"qpttfttp"ef r'n bsdj jp"ej"r vbrj"l'f dprphjdb"v vspqf p"Fdprbcf r)Vf"p bnsf "f udi f uf "bn cijf oubrij"dpogsn j"bnt"VOK"FO"KTP"25135-"pqqvsv "tbsboop"dpogsn j"bj"tf hvf ouj"sf r vjtjy bn cijf oubrij

**a) Biodegradabilità**

K' sf r vjtjy" ej" cjpef hsbebcjrl" ef j" dpn qptj" pshbojdj" f " ej" qpu f oEjbrf" ej" cjbddvn vrp" ef wpop" f ttf sf tpeejt gubj"qf s"phoj"tpt uboE-"jouf oEjpbom f ouf "bhhjvoub"p"gpsn bub-"qsf tf ouf "jo"vob"dpodf ousbejpoj" >="1-21& q0q"of r'qspewup" gobrf/

K'hqspewup" gobrf" opo" dpouj of "tpt uboE" jo" dpodf ousbejpoj" >="1-21& "q0q-"di f "tjbop" brhdpouf n qp" opo cjpef hsbebcjrl" qpu f oEjbrf f ouf "cjbddvn vrbcjrl

K'hmcsgdbouf "qv" dpouf of sf "vob"p"qjò"tpt uboE" di f "qsf tf oujop"vo"df sup"hsbebcjrl" ej"cjpef hsbebcjrl" f "ej cjbddvn vrp"tf dpoep"vob"ef uf sn jobub"dpssf r'bejpoj" ub"dpodf ousbejpoj" dvn vrbujv"ej"n bttb")& "q0q"ef r'n tpt uboE" f "cjpef hsbebcjrl" f "cjbddvn vrp"dpt d'p n f "sjqpsub"jo"ubcf r'n"2/

ubcf r'n"2/"Mjn ju"ej"qf sdf oubrf"dn vrbujv"ej"n bttb")& "q0q"ef r'n"tpt uboE" qsf tf ouj"of r'qspewup" gobrf"jo sf r'bejpoj" bnt"cjpef hsbebcjrl" e"br'qpu f oEjbrf"ej" cjbddvn vrp

	OLI	GRASSI
Sbajebn f ouf " cjpef hsbebcjrl" jo dpoejEjpoj"bf spcjdi f	A: 1&	A91&
Kousjot f dbn f ouf " cjpef hsbebcjrl" jo dpoejEjpoj"bf spcjdi f	≤21&	≤31&
Opo" cjpef hsbebcjrl" f" opo cjbddvn vrbcjrl	≤6&	≤26&
Opo" cjpef hsbebcjrl" f cjbddvn vrbcjrl	≤1-2&	≤1-2&

**b) Bioaccumulo**

Opo"pddpsf "ef uf sn jobsf "r'qpu f oEjbrf"ej" cjbddvn vrp"of j"dbtj"jo"dvj"r"tpt uboE;

- i b"n bttb"n prfndprsf")NN\*A"911"n0n prff "ejbn f usp"n prfndprsf "A"2-6"on ")A"26"Å\*"pqqvsv
- i b"vo"dpf g'g'ouf "ej"sjqbsujEjpoj" "puboprp0bdr vb")rph"lpx "\*"="4"p"A"8-"pqqvsv
- i b"vo"gpwpsf "ej"cjpdodf ousbejpoj" "n jtvsbup")CDG\*"≤"211"r' h-"pqqvsv
- à"vo"qprj m f sp"r'dvj"sbEjpoj" "dpo"n bttb"n prfndprsf "=""2"111"n0n prff"jogf sjpsf "bnt"& /

**3.1.3.3 Grassi ed oli lubrificanti minerali a base rigenerata<sup>(6)</sup>**

K'hsbtjtj" f "hrj"prj"mcsjgdbouj"sjhf of sbj-"di f "tpop"dpt ujujy-"jo"r vpb"qbsuf -"eb"prj"ef sjwbouj"eb"vo"qspdf ttp"ej sjhf of sbEjpoj" "ej"prj"n jof sbrijf tbtjy-"ef wpop"dpouf of sf "bm f op"r'n"tf hvf ouj"r vpuf "n jojn f "ej"cbtf "mcsjgdbouf sjhf of sbub"tv'r'qf tp" upbrf"ef r'qspewup-"uf of oep"dpou"ef r'n" g'oEjpoj" e"Vtp"ef r'qspewup"tuf ttp"ej" dvj"bnt" tvddf ttjwb"ubcf r'n"5;

Ubcf r'n"5

Nomenclatura combinata-NC	Soglia minima base rigenerata %
OD"38212: 92")prj"qf s"n ppsf *	51&
OD"38212: 94")prj"jesbv'rdj*	91&
OD"38212: 98")prj'dbn cjp*	41&
OD"38212: : : ")bntj*	30%

K'hsbtjtj" f "hrj"prj"mcsjgdbouj"r'dvj" g'oEjpoj" e"Vtp"opo"à"sjqpsub"jo"Ubcf r'n"5"ef wpop"dpouf of sf "bm f op"jm 41& "ej"cbtf "sjhf of sbub/

**3.1.3.4 Requisiti degli imballaggi in plastica degli oli lubrificanti (biodegradabili o a base rigenerata)<sup>(7)</sup>**

Mjn cbntbhhjy"jo"qr'bt'jdb"qsjn bsjp"ef hrj"prj"mcsjgdbouj"à"dpt ujujy"eb"vob"qf sdf oubrf"n jojn b"ej"qr'bt'jdb sjdj'ub"qbsj"br'36& "jo"qf tp/

# CAPITOLO 7

## MATERIALI CONTENENTI AMIANTO (MCA)

### Art. 7.1 GENERALITÀ

Mbn jboupa"à"vo"n jof sbrfn"obuvsbrfn"b"t usvwsb"gcspbt"bqqbsuf of ouf "brnb"drbt f"di jn jdb"ef j"t jrbuj"jesbuj<rfn gcsf "t pop"t puirjn b"n prnp"beef ot buf -"ubrjeb"sf oef srp"brbn f ouf "sf tjt uf ouf "ebrtqvoup"ej"vjtbl"n f ddbojdp" f gfrttjcjrfrn"brtdpouf n qp/

E brhnsf dp" "Uc f t u p t •- " r n u f s b m f o u f " " j o e j t u s v u j c j r f n •- " r n o n j b o u p " à " t u b u p " v t b u p " g o " e b n o u j d i j u " q f s " r n " t v f d b s b u f s j t u d i f - " q s f t f o u b " j o g b u j " v o b " c v p o b " s f t j t u f o e b " f r n u s j d b - " u f s n j d b - " p r n s f " d i f " n f d d b o j d b / " T j " d p o g h v s b d p n f " v o " n b u f s j b r n " q p u f o e j b m f o u f " j o e j t u s v u j c j r f n " j o " r v b o u p " s f t j t u f " t j b " b r h g y p d p " d i f " b r h d b r n s f - " o p o d i è " b h r j n b h f o u j " d i j n j d j " f " c j p r n h j d j - " b n h c s b t j p o f " f " b n h v t v s b /

Ft jt upop"ejwf stj"ujq"ej"bn jboupa-"pt tjb"t jrbuj"jesbuj"dbsubf sjeebuj"eb"dpn qpt jfejpop"di jn jdb"vbsjb-"t usvwsb n jdspsjt ubrjeb" f "bt qf up"gcsp t p;

- *silicati di magnesio idrati*  
dsjt puirp")bn jboupa"cjbodp\* <
- *silicati di calcio e magnesio idrati*  
dspdjepiruf")bn jboupa"cm\* <  
bn ptjuf")bn jboupa"csvop\* <  
boupgiruf <  
bdjopiruf <  
uf n prjuf /

Hsbefj "brnb"n prnf qrijj"dbsubf sjt udi f "f"wf st buirj"à"t ubup"bn qjbn f ouf "jn qjf hbup"jo" f qpdb"n pef sob"of rfn dpt usvepoj" f ejrjef -"jo" qbsjdrpsf " qf s" r n " s f b r e e b e j p o f " e j " r b t u s f " e j " d p q f s u v s b - " u c j - " d j t u f s o f " f " q b o o f r j n b o u j o d f o e j p - " n b " b o d i f " q f s " h v b s o j e j p o j - " d p j c f o u b e j p o j " u f s n j d i f " f " b d v t u d i f " e j " o b w j - " u s f o j - " f d d /

Uvubvjeb-"dpo"jruf n qp"tj"à"tdpqf sup"qpt f "eboopt p"qf s"r n "t b m u f / " M b " d b o d f s p h f o j d j u " à " r n h b u b " b n o b r n e j p o f e f r n " g c s f " b f s p e j t q f s t f " f " e v o r v f " b n h " g s j b c j r j u " e f r n b u f s j b r n /

Mf tqpt jfejpop" b" gcsf " ej" bn jboupa" qspwdb" n brujif " ef n b o q q b s b u p " s f t q j s b u p s j p " ) b t c f t u p t j - " d b s d j o p n b q p m p o b s f \* " f " e f r n " n f n c s b o f " t j f s p t f - " q s j o d j q b m f o u f " r n " q r n v s b " ) n f t p u f r j p n j \* - " d b s b u f s j e e b u f " e b " v o " f r n v b u p % f n q p " e j " r u f o e b % " j o " r v b o u p " r n " q b u p r n h j b " t j " q s f t f o u b " b n o j d s d b " e p a p " e f d f o o j " e b r n " t q p t j e j p o f /

Dpo" r n " M f h h f " 3801402: : 3 - " o / " 368 " t j " à " t u b c j r j u p " j r h e j w j f u p " e j " f t u s b e j p o f - " j n q p s b e j p o f - " f t q p s b e j p o f - d p n n f s d j b r e e b e j p o f " f " q s p e v e j p o f " e j " b n j b o u p - " e j " q s p e u j " e j " b n j b o u p " p " e j " q s p e u j " d p o u f o f o u j " b n j b o u p - " d u b f d d f e j p o f " q f s " r n " e f s p h i f " n j o j t u f s j b r j r v b o u j d b u f " f " t q f d j g d b u f " b n o s j d p n " 2 " d p n n b " 3 " e f r n " d j u b u b " M f h h f /

### Art. 7.2 LE ATTIVITÀ ESEDI

M " bujvju " d p o " % t q p t j e j p o j " t q p s b e j d i f " f " e j " e f c p r n " j o u f o t j u % ) E S E D I \* - " e j " d v j " b n h s u " 35: " d p n n b " 3 " e f m E / M h t / " 9203119 " f " t / n / j - " w o h p o p " j e f o u j g d b u f " o f r n " b u j v j u " f g f u w b u f " q f s " v o " n b t t j n p " e j " 71 " p s f " r n o o p - " q f s o p o " q j o " e j " 5 " p s f " q f s " t j o h p r n " j o u f s w o u p " f " q f s " o p o " q j o " e j " e v f " j o u f s w f o u j " b r n f t f " f " d i f " d p s s i t q p o e p o p " b e " v o r j w f n p " n b t t j n p " e j " f t q p t j e j p o f " b " g c s f " e j " b n j b o u p " q b s j " b " 21 " G O M d b r d p r u f " s j t q f u p " b e " v o " q f s j e p e j " s j f s j n f o u p e j " p u p " p s f /

Mb"evsbusb"ef n j o u f s w o u p " t j " j o u f o e f " d p n q s f o t j w b " e f r n f n q p " q f s " r n " q v r j e j b " e f r n t j u p - " r n " n f t t b " j o " t j d v s f e e b " e f j s j g v u j " f " r n " e f d p o u b n j o b e j p o f " e f n h o q f s b u p s f /

Bn j o u f s w o u p " o p o " e f w p o p " f t t f s f " b e j c j u j " j o " n p e p " e j s f u p " q j o " e j " 4 " b e e f u j " d p o u f n q p s b o f b n f o u f " f - " r n e e p w f d j i " o p o " t j b " q p t t j c j r f n - " j r o v n f s p " e f j " r n a v p s b u p s j " f t q p t j u j " e v s b o u f " r n j o u f s w o u p " e f w " f t t f s f " r j m j u b u p " b r h o v n f s p " q j o c b t t p " q p t t j c j r f n /

Mbqqqbrnupsf " f g f u w f s l " r n " w b m u b e j p o f " p h o j " r v b m p r u b " t j " w f s j d i j o p " n p e j g d i f " d i f " q p t t b o p " d p n q p s b s f " v o n v l b n f o u p " t j h o j g d b u j w p " e f r n " t q p t j e j p o f " e f j " r n a v p s b u p s j " b n h " q p r w f s f " q s p w f o j f o u f " e b r n o n j b o u p " p " e j " n b u f s j b r n d p o u f o f o u j " b n j b o u p /

M " bujvju " F T F E K " q p t t p o p " f t t f s f " h f o f s b m f o u f " t w p r n " b o d i f " e b " n f d d b o j d j - " j e s b v r j o j - " r n u p o j f s j - " f r n u s j d i t u j - n v s b u p s j " f " p q f s b u p s j - " d i f " t j " u s p w b o p " o f r n " d p o e j e j p o f " e j " t w p r n f s f " b u j v j u " d p o " % b u f s j b r j d p o u f o f o u j " b n j b o u p % ) N D B \* " d p n f " q s f v j t u p " e b r n h s u " 35: " d p n n b " 3 " e f r n E / M h t / " 9203119 " f " t / n / j / " f " d i f " b c c j b o p " s j d f w w u p " v o b g s n b e j p o f " t v g j d j f o u f " f e " b e f h v b u b - " b " j o u f s w b r j i f s f h p r o s j " t f d p o e p " j r h e f u b u p " o p s n b u j w p " q s f v j t u p " e b r n h s u " 369 E / M h t / " 92019 " f " t / n / j //

Ko"phoj"dbtp-"evsbouf "n gf uvbEjpop "ef n"buwju"FTFEK"epwU"ftt sf "bttjdvsbup"jrtst qf up"ef n"n jtvsf jhjf ojdi f "ef n"su"363"ef rE/Mt"92019"ft/n /j/"dpo"qbsjdpbsf "sjhvsepb"bj"Ejt qptjvj"ej"Qspuf Ejpof "Koejwjevbrn )E/QK/"ef n"vjf "sf tqsbpsj"-"di f "epwsboop"bwf sf "vo"dupsf "ej"qspuf Ejpof "pqf sbjwp"opo"jog sjpsf "b"41/

## Elenco di attività ESEDI:

### a) Brevi attività non continuative di manutenzione durante le quali il lavoro viene effettuato solo su materiali non friabili:

- 2/ jof swf ou"ej"n bovuf oEjpop "sjhvsebou"jrtst bhhjp"ej"rtt usf "jo"n buf sbrn"Dpouf of ouf "Bn jboup% )NDB"dpn qbup"jo"cvpop"tubup"ej"dpotf swbEjpop "tf oE"jof swf oup"usbvn bujdp"tvn"tuf ttf <
- 3/ sjqbsbEjpop "ej"vob"tvqf sjdjf "sjepub")n bttjn p"ej"21"n <sup>3\*</sup>ej"rtt usf "p"n bupop n"jo"vjojrnb jboup n f ejbouf "bqqrj"bEjpop "ej"dpn"ou"jn qsf hobou"tjhj"ou"p"dpn"jm jubu"sjqpsj"ej"hbvjof "sjdpqsf ou"p qspewj"tjn jrtst<
- 4/ bqqrj"bEjpop "ej"qspewj"jof suE"bou"jo"r fn f ou"ej"jn qjbou"dpouf of ou"ND"opo"sjbcjrn"jo"cvpop dpoeEjpop"be"ft/"sjw tujn f ou"ej"ucbwf \*<
- 5/ tqptubn f oup"opo"usbvn bujdp"ej"rtt usf "ej"ND"dpn qbup"opo"ef hsbeuf "bccboepobuf "b"uf ssb"qsf vjp usbun f oup"jodbqtvrbof <
- 6/ jof swf ou"dpotf hvf ou"bnt"of df ttjw"ej"sjqst jobsf "r"yoEjpop"ou"jn jubun f ouf "b"tvqf sjdj"sjepuf )n bttjn p"ej"21"n <sup>3\*</sup>ej"dpqf swsf "p"qboof n"usf "jo"ND"opo"sjbcjrn"n f ejbouf "rtt usf "opo"dpouf of ouf bn jboup<
- 7/ jof swf ou"ej"n bovuf oEjpop "b"qbsj"ej"jn qjbou")be"fd f Ejpof "ef hjtjn qjbou"sf obouj\*-"busf E"bwf - n bddi jof -"n ppsj"fd/"dpouf of ou"ND"opo"sjbcjrn"tf oE"bEjpop "ej"sf ub"tv"ND"DB<
- 8/ buwju"ej"dpotf swbEjpop "ef n"jodbqtvrbof f oup"dpn"sjqst jop"ef rtsjdpqsf ouf <
- 9/ jof sjn f oup"bnt"jof sop"ej"dbouf "gn bsj"jo"ND"opo"sjbcjrn"ej"usbj"b"tf Ejpof "jog sjpsf "tf oE" vtvsb"p"sjn pEjpop "ej"n buf sbrn<
- :/ jof swf ou"ej"n f shf oE"qf s"spw"sb"tv"dpoeuf "jesdi f "tpr"gobriE"bj"rtstsjqst jop"ef rtwtt"p"di f opo"of df ttjop"jn qj hf"ej"busf E"bwf "eb"lbrjn"dpn"btqpsbEjpop "ej"lvdjpp/

### b) Rimozione senza deterioramento di materiali non degradati in cui le fibre di amianto sono fermamente legate ad una matrice:

- 2/ sjn pEjpop "ej"wbtdi f "f "dbttpoj"qf s"bdr vb-"r vbrpsb"r vftuj"n bovduj"qpttbop"ftt sf "sjn pttj"ebnt"rpsp tf ef "tf oE"epw s"sjdpssf sf "b"spw"sf "ef hjt"uf ttj<
- 3/ sjn pEjpop "ej"vob"tvqf sjdjf "jm jubu")n bttjn p"ej"21"n <sup>3\*</sup>ej"n bupop n"jo"vjojrnb jboup-"rtt usf "qptf jof sobn f ouf "be"fejdjp"p"n bovduj"tjn jrtst"ND"opo"sjbcjrn"r vbrpsb"r vftuj"n bovduj"qpttbop ftt sf "sjn pttj"ebnt"rpsp"tf ef "tf oE"epw s"sjdpssf sf "b"spw"sf "ef hjt"uf ttj<
- 4/ sbddp"ej"qjddpj"qf E"j)jo"r vbouj"opo"tvqf sjpsf "bnt"r vjvbrnouf "ej"21"n <sup>3\*</sup>ej"ND"opo"sjbcjrn"dbevp"ftt qf st"p"b"tf hvjup"ej"ftf w"ou"jn qspwjt"j"e"jn qsf vjt"j"qsf vjp"usbun f oup"dpn"jodbqtvrbof /

### c) Incapsulamento e confinamento di materiali contenenti amianto che si trovano in buono stato:

- 2/ jof swf ou"tv"ND"opo"sjbcjrn"jo"cvpop"tubup"ej"dpotf swbEjpop "vprj"bnt"dpotf swbEjpop "tuf ttb"ef m n bovduj"p"Qp"ef rtn buf sbrn"ftf e"buwju"tf oE"usbun f oup"qsf jm jobsf <
- 3/ n fttb"jo"tjdvsv E"ej"n buf sbrn"gsn n f oup")jo"r vbouj"opo"tvqf sjpsf "bnt"r vjvbrnouf "ej"21"n <sup>3\*</sup> dpo"qptb"ej"uf r"jo"n buf sbrn"qrtt jdp")be"ft/"qprj jrnof \*tv"n"tuf ttp"ftf "ef jm jubEjpop "ef n"bsf b- tf oE"b"avo"jof swf oup"p"n pvjn f ouEjpop "ef rtn buf sbrn"tuf ttp/

### d) Sorveglianza e controllo dell'aria e prelievo dei campioni ai fini dell'individuazione della presenza di amianto in un determinato materiale:

Dn qjpopn f oup"ftf e"bobrtj"ej"dn qjpoj"bf sf j"p"n bttjw"ftf e"buwju"ej"tqsbm"mhp"qf s"bddf subsf "r"tubup"ej dpotf swbEjpop "ef j"n bovduj"jotubouj/

## Art. 7.3 PRESCRIZIONI OPERATIVE PER LA SICUREZZA

Qjn b"ej"jousqsf oef sf "r"psj"ej"ef n pEjpop "p"ej"n bovuf oEjpop -"r"bqqrj"b"bepuf s"-"bodi f "di jf ef oep jopsn bEjpop"bj"qspqsf ubsj"ef j"r"dbjn"phoj"n jtvsb"of df ttbsjb"vpr"be"joejwjevbsf "r"qsf tf oE"ej"n buf sbrn"b qpuf oEjrn"dpouf ovup"e"bn jboup/

Bodi f "tf"vj"epw ttf"ftt sf "jrt"jojn p"evccjp"tvn"qsf tf oE"ej"bn jboup"jo"vo"n buf sbrn"p"jo"vob dptusvEjpop -"r"bqqrj"b"epw"bqqrj"b"r"ejtqptjEjpop"qsf vjt"uf "ebr"Dbq"KK"ef r"uf t"up"Vojd"ef n"tjdvsv E" )E/Mt/"9203119\*/

**Piano di lavoro**

Qsjn b"ef njoejp"ej" rlvpsj"ej" ef n prjejpof "p"sjn pjejpof "ef nbn jboup"p"ej"n buf sbrjtdpouf of ouj"bn jboup"eb f ejgdj-"t usvwvsf -"bqqbsf ddi j" f "jn qjbouy-" opodi è "eb"n f eej"ej" usbtqpsup-" rlvpsj"sf ejhf sU"vo" qjbop"ej rlvpsj/

Krtqjbop"ef wf "sjqpsbsf "rfr"n jtvsv "of df ttbsjf "buf "b"hsbouysf "rta"tjdvsv eeb" f "rta"tbrmf "ef j"rlvpsbupsj"t vrtmphp ej"rlvpsj" f "rta"qspuf eejpof "ef nbn cjf ouf "f tuf sop/

Ko"qbsujdprbsf -"ef wf "dpouf of sf "jogpsn bjejpof"tvj"tf hvf ouj"qvouj;

b\*"sjn pjejpof "ef nbn jboup"p"ef j"n buf sbrjtdpouf of ouj"bn jboup"qsjn b"ef nbnqqrjabjejpof "ef nbn"uf dojdi f "ej ef n prjejpof -"b"n f op"di f "lbrfr"sjn pjejpof "opo"qpttb"dptujwjsf "qf s"j"rlvpsbupsj"vo"sjt di jp"n bhjpsf "ej r vf nbn"sbqqsf tf oup"ebrtqubup"di f "nbn jboup"p"j"n buf sbrjtdpouf of ouj"bn jboup"wf ohbop"rtat djbu"t vrtqpt up< c\*"gsojuv sb"bj"rlvpsbupsj"ej"jepof j"ejt qptjujw"ej"qspuf eejpof "joejvjevbrfr"<

d\*"wf sjgdbsf "ef nbn"ttof eeb"ej"sjt di j"epwuj"brfr"t qptjejpof "brfr"n jboup"t vrtmphp"ej"rlvpsj-"brfr" sn jof "ef j"rlvpsj ej"ef n prjejpof "p"ej"sjn pjejpof "ef nbn jboup"<

e\*"bef hvbuf "n jtvsv "qf s"rta"qspuf eejpof "f "rta"ef dpoubn jobjejpof "ef rta"st pobrfr"jodbsjdbup"ef j"rlvpsj<

f\*"bef hvbuf "n jtvsv "qf s"rta"qspuf eejpof "ef j"uf sej" f "qf s"rta"sbddprub" f "rta"t n brjn f oup"ef j"n buf sbrjtk<

g\*"bepjejpof -"of rta"bt"jo"dvj"tjb"qsf vjt up"jrtvqf sbn f oup"ef j"vbrpsj"jrn juf "ef nbn"n jtvsv "ej"dvj"brfr"sbujdprp"366 ef rta"t up"Vojdp"ef nbn"tjdvsv eeb-"bebuboeprfr"brfr"qbsujdprbsj" f t jhf ofe "ef rta"rlvpsj"t qf djgdpc<

h\*"obuvsb"ef j"rlvpsj-"ebub"ej"joej"p" f "rps"evsub"qsf tvn jcjrfr"<

i \*"mphp"pvf "j"rlvpsj"wf ssboop" f gf uvbu"j"<

j\*"uf dojdi f "rlvpsbujv" "bepubuf "qf s"rta"sjn pjejpof "ef nbn jboup"<

kl"dsbuf sjtjdi f "ef nbn"busf eebwsv "p"ejt qptjujw"di f "tj"jouf oepop"vujr"ebbsf "qf s"buwbsf "r v bou"qsf vjt up ebrfr"rhu"l sb"e\*"f e" f \*/

Dpqjb"ef rta"qjbop"ej"rlvpsj"t bsl"jowjub"brfr"shbop"ej"vjhrta"eb-"brn f op"41"hjpsoj"qsjn b"ef nbn"joej"p"ef j"rlvpsj/ Tf "f oup"ef up"qf sjpep"rshbop"ej"vjhrta"eb"opo"gsn vrb"n puwub"sjdi jf t ub"ej"jouf hsbjejpof "p"n pejgdbs"ef m qjbop"ej"rlvpsj" f "opo"sjrtat djb"qsf t dsjejpof "pqf sbujw-" rlvpsj"qpus"ebbsf "joej"p"bj"rlvpsj/

**Valore limite di esposizione**

Krtvbrpsf "jrn juf "ej" f t qptjejpof "qf s" nbn jboup"à"gttub"b"1-2" gcsf "qf s"df oujn f usp"dvcp"ej"bsjb-"n jtvsubp dpn f "n f ejb"qpoef sub"of rta"n qp"ej"sjf sjn f oup"ej"pup"psf /"K'ebupsj"ej"rlvpsj"ef vpop""qspwv ef sf "bgjodi è of ttvo"rlvpsbupsf "tjb" f t qpt up"b"vob"dpodf oubejejpof "ej"bn jboup"of nbn"sb"tvqf sjpsf /"Rvboep"lbrfr"vbrpsf "jrn juf vjf of "tvqf sbup-"jrhebupsf "ej"rlvpsj"ef wf "joejvjevbsf "rfr" dbvtf "ef rta"vqf sbn f oup" f "bepubsf "brhqjò" qsf t up qpttjcrfr"rfr"n jtvsv "bqqspqsjb" "qf s"pwjbsf "brfr"tjwbejpof /"Krtvbrpsj"qv" "qsptf hvjsf "of nbn"epob"jouf sf tt bub tpr"tf "wf ohpop"qsf tf "n jtvsv "bef hvbuf "qf s"rta"qspuf eejpof "ef j"rlvpsbupsj"jouf sf tt buj/

Qf s"wf sjgdbsf "rfr"cgjdbdj"ef nbn"n jtvsv "bepubuf "jrhebupsf "ej"rlvpsj"qspdf ef sU"jn n f ejbubn f ouf "be"vob"ovpwb ef uf sn jobjejpof "ef nbn"dpodf oubejejpof "ej" gcsf "ej"bn jboup"of nbn"sb"busbwf st p"dbn qjpobn f oup/

Ko"phoj"dbtp-"tf "rfr"t qptjejpof "opo"qv" "f ttf sf "sjepub" dpo"brs"n f eej" f "qf s"sjt qf ubsf "jrtvbrpsf "jrn juf "à of df ttbsj;

- rta"t p"ej"vo"ejt qptjujw"ej"qspuf eejpof "joejvjevbrfr"ef nbn"vjf "sf t qjsbupsj" "dpo"gbupsf "ej"qspuf eejpof pqf sbujw"lbrfr"eb"hsbouysf "wuf "rfr"dpoejejpof"qsf vjt uf "ebr"Dbq"Kk"ef rta"t up"Vojdp"ef nbn"tjdvsv eeb )U/V/T/\*<
- rta"t vj"ep"ef j"EQ"ef wf "f ttf sf "jouf swbrub"eb"qf sjpej"ej"sjqpt p"bef hvbu"brfr"n qf hop"gtjdp"sjdi jf t up ebrfr"rlvpsj"<
- rta"t ddf ttp"brfr"bsf f "ej"sjqpt p"ef wf "f ttf sf "qsf df evup"eb"jepof b"ef dpoubn jobjejpof /

Qf s"qpusf s" f gf uvbsf "rlvpsj"ej"ef n prjejpof "p"ej"sjn pjejpof "ef nbn jboup"tjb"jo"n busjdf "dpn qbub"di f "gsjbcjrfr rfr"jn qsf tf "ef vpop;

- f ttf sf "jt dsjuf "brfr"rap"ef j"hf t upsj"sjgv"qf s"buwvju"ej"cpojgdbs"dbu"/21B" f Op"21C<
- bwf sf "ejqf oef ouj"qspwjt y"ej"qbul oujop"ej"bcjrjubejpof "sjt qf ujbvn f ouf "qf s"dppejebupsj" f "pqf sbupsj beef uj"brfr"cpojgdbs<
- bwf sf "ejqf oef ouj"tphhf uj"b"sf hprbsf "t pswf hrtboeb"t bojbsjb"eb"qbsf "ef rta" f ejdp"dpn qf uf ouf /

**Dispositivi di Protezione Individuale (DPI)**

Q s" r vboup" dpo df sof " r" qspuf E j pof " ef j" r wpsbupsj" beef u j" b j" r wpsj" à " joejt qf ot bcjrfn" di f " jr hqf st pobrfn" tjb f r vjqbhbjup" dpo" jepof j" E jt qpt j u w j" e j" Q s p u f E j p o f " K o e j w j e v b r f n" ) E Q k /

Ko" qbsj d p r b s f " t j" d p o t j h j o " r v u j e p " e j" h v b o u j - " u w f l " p " t j n j r b s j " b " q f s e f s f " ) d p o " d b q v d d j p " f " d v d j u s f s j w f t u j f " e b " o b t u s p " j t p r b o u f \* - " f " d b r e b s j " j o " h p n n b " p " t d b s q f " b n f " b o u j o g s u o j t u d i f " j e s p s f q f r n o u j " ) e b " q v r j s f n p r o p " c f o f " d p o " b d r v b " b " g o f " u s o p " f " e b " r a t d j b s f " j o " d b o u j f s f \* / " K " d b r e b s j " e f w p o p " f t t f s f " j o t f s j u " b n j o u f s o p " e f j q b o u b r p o j " e f r n " u w b " f " t j h j n o u j " d p o " o b t u s p " j t p r b o u f /

**Art. 7.4 Processo di gestione e bonifica**

- 1/ K t q s p d f t t p " e j " h f t u j p o f " f " c p o j g d b " e f r n " n j b o u p " t j " b s j d p r b " j o " g t j " p q f s b u j w f ;
- 2/ " j o e j w j e v b e j p o f " e f h r j f r f n f o u j " q p u f o e j b m f o u f " d p o u f o f o u j " b n j b o u p <
- 3/ " q s p h s b n n b " e j " j t q f E j p o f - " n b q q b u w s b " f " d b n q j p o b n f o u p <
- 4/ " v b m u b e j p o f " e f r t s j t d i j p <
- 5/ " c p o j g d b /

**7.4.1) Individuazione e mappatura degli elementi potenzialmente contenenti amianto**

- Ko" b n c j u p " f e j r e p " à " q p t t j c j r f n " u s p w s f " r n " n j b o u p " t p u p g p s n b " e j ;
- s j w f t u j n f o u j " e j " t v q f s g d j " b q q r j o u j " b " t q s v e e p " p " b " d b e e v p r b <
- s j w f t u j n f o u j " j t p r b o u j " e j " u w c j " f " d b r e b j f <
- n b u f s j b r j l d p n q p t u j ;
  - . " q b o o f r j l d f n f o u p . b n j b o u p " ) n j t d f r a " d p t j u v j u b " e b n 196 . : 1 & " e j " d f n f o u p " Q p s u r b o e " f " e b r t 21 . 26 & " e j " b n j b o u p \* " q b s j d p r b s n f o u f " j n q j f h b u j " d p n f " r a t u s f " e j " d p q f s u s b <
  - . " q b o o f r j l j o " d b s u p o f <
  - . " q s p e p u j " u f t t j r j l

Mb" d b o d f s p h f o j d u l " e f r n " n j b o u p " à " r f h b u b " b n b " q p u f o e j b r f n " j o b r b e j p o f " e b " q b s u f " e f r n v p n p " e f r n f " g c s f b f s p e j t q f s t f " s j r a t d j p " o f r n " n c j f o u f " f e " à " q f s u b o u p " e j s f u b n f o u f " q s p q s e j p o b r f n " b n b " g j b c j r j a l " e f r n b u f s j b r f n p t t j b " b n b " s j e p u b " s f t j t u f o e b " b n p " t h s f u p r a n f o u p /

- K' n b u f s j b r j l d p o u f o f o u j " b n j b o u p " q p t t p o p " b w f s f " n b u s j d f ;
- **friabile** " " q p t t p o p " f t t f s f " g d j m f o u f " t c s j d j p r a u j " p " s j e p u j " j o " q p m f s f " d p o " r a " t p r b " q s f t t j p o f " n b o v b r f n / " B d b v t b " e f r n " t d b s t b " d p f t j p o f " j o u f s o b " q p t t p o p " r o f s b s f " g c s f " t q p o u b o f b n f o u f - " t p q s b u w u p " t f " t p u p q p t u j " b g u p s j " e j " e f u f s j p s b n f o u p " r v b r j l w j c s b e j p o j - " d p s s f o u j " e ( b s j b - " j o g n o s b e j p o j " e j " b d r v b - " f e " f t t f s f " e b o o f h h j b u j " o f m d p s t p " e j " j o u f s w f o u j " e j " n b o v u f o e j p o f " p - " t f " d p m p d b u j " j o " b s f f " b d d f t t j c j r j a " e b n v s u p " e f h r j l v o u f <
- **compatta** . " n b u f s j b r j l e v s j " d i f " q p t t p o p " f t t f s f " t c s j d j p r a u j " p " s j e p u j " j o " q p m f s f " t p r p " d p o " r f n " q j f h p " e j " b u s f e e j n f d d b o j d j " e j t d i j " b c s b t j v j - " g s f t f - " u s b q b o j - " f d d / \*

K' s j w f t u j n f o u j " b " t q s v e e p " ) g p d d b u j \* " t p o p " h f o f s b m f o u f " n b u f s j b r j l g j b c j r j a " n f o u s f " j " s j w f t u j n f o u j " e j " u w c b e j p o j " f " j " n b u f s j b r j l j o " d f n f o u p " b n j b o u p " t p o p " n b u f s j b r j l j o " p s j h o f " q p d p " p " o j f o u f " g j b c j r j a " n b " r p " q p t t p o p " u w u b v j b " e j w o u s f b " t f h v j u p " e f r t e f h s b e p " t v c j u p " e b j " g u p s j " b n c j f o u b r j l

K' h E N " 7 " t f u f n c s f " 2 : : 5 " s j q p s b " j " q s j o d q b r j l u j a j " e j " n b u f s j b r j l d p o u f o f o u j " b n j b o u p " f " j r h d p s s f r a u p " h s b e p " e j g j b c j r j a l - " p t t j b " j r h q p u f o e j b r f n " e j " s j r a t d j p " e f r n f " g c s f < à " q p t t j c j r f n " s j r f w b s f " l a r j l e b u j " o f r n " t f h v f o u b " l b c f r n b ;

Tipo di materiale	Note	Friabilità
Sj d p q s f o u j " b " t q s v e e p " f " s j w f t u j n f o u j j t p r b o u j	Gj o p " b n 196 & " d j s d b " e j " b n j b o u p " t q f t t p b o g j p r j l ) b n p t j u f - " d s p d j e p " r j u f * q s f w b r f o u f n f o u f " b n p t j u f " t q s v e e b u b " t v t u s v u w s f " q p s b o u j " e j " b d d j b j p " p " t v " b r a s f t v q f s g d j " d p n f " i t p r b o u f " u f s n p . b d v t u d p	F r f w b u b
Sj w f t u j n f o u j " j t p r b o u j " e j " u w c j " f " d b r e b j f	Q s " s j w f t u j n f o u j " e j " u w c b e j p o j " u w u j " j " u j a j e j " b n j b o u p " l a r j l e b u j " j o " n j t d f r a " b r t 7 . 21 & j o " t j r j o b u j " e j " d b r e j p / " K o " u f r n - " g r a s j - i n c p u i u s f " i o " h f o f s f " b r t 211 &	F r f w b u p " q p u f o e j b r f n " e j " s j r a t d j p " e j " g c s f " t f j " s j w f t u j n f o u j " o p o " t p o p " s j d p q f s j " d p o t u s b u p " t j h j n o u f " v o j g p s n f " f " j o u b u p
G v o j - " d p s e f - " u f t t v j	K o " q b t t b u p " t p o p " t u b u j " v t b u j " u w u j " j " u j a j " e j b n j b o u p / " K o " t f h v j u p " t p r p " d s j t p u j r p " b m 211 &	Q p t t j c j r j a l " e j " s j r a t d j p " e j " g c s f " r v b o e p h s b o e j " r v b o u j u l " e j " n b u f s j b r j l w f o h p o p j n n b h b e e j o b u j
D b s p o j - " d b s u f " f " q s p e p u j " b g g j o j	H f o f s b m f o u f " t p r p " d s j t p u j r p " b r t 211 &	T d j p r j " f " n b o f h h j b u j - " d b s u f " f " d b s p o j - o p o " b w f o e p " v o b " t u s v u w s b " n p r o p d p n q b u b - " t p o p " t p h h f u j " b " g d j r j a b c s b t i p o i " f e " b " v t v s b



Qspepuj"jo"bn jboup". "df n f oup	Buwbrn f ouf "jrt21"™26& "ej"bn jboup"jo hf of sf "dsjtpujp/"Dspdjepjuf "f"bn ptjuf tj" sjuspwbop"jo" brdvoj" uqj"ej" wcj" f " ej rbt usf	Qpttpop" sjrt djsf " gcsf " tf " bcsbtj- tf hbuj" qf sgpsbuj" p" tqbceprbu- pqqvsv tf "ef uf sjpsbuj
Qspepuj" cjv n jojtj-" n bupof nri" ej vjojrj" dpo" jof sdbqf ejoj" ej" dsub" ej bn jboup-" n bupof nri" f " qbwjn f ouj vjojrtj-" QWD" f " qrtbt udi f " sjogpsbf sdpqsf ouj" f " wf sojdi-" n bt ujdj-tjhjnboj- t wddi i"bef t iwi"dpouf of ouj"bn jboup	Ebrn"1-6"brt3& "qf s"n bt ujdj-"tjhjnboj- beftjvj-" brt21.36& " qf s" qbwjn f ouj" f n bupof nri"vjojrtj	Kn qspcbcjri" sjrt djp" ej" gcsf " evsbouf rvt p"opsn brfj/"Qpttjcjrj"ej" sjrt djp"ej gcsf "tf "ubhrjuf -"bcsbtj"p"qf sgpsbuj

Busbw st p" rjt qf Ejpof " vjtjb" à" qpttjcjrj" joejwjevbsf " qsf rjm jobsn f ouf " rri" t usv uvsf " f ejrjef " dpo" qpu f oEjbrf dpouf ovup"ej"bn jboup/

**7.4.2) Programma di ispezione, mappatura e campionamento dei materiali contenenti amianto**

Eppq" bwf s" joejwjevbu" hrj f rfn f ouj" qpu f oEjbrn f ouf " dpouf of ouj" bn jboup-" à" pqqpswop" f rbcpsbsf " vo qspshsn n b"ej"jt qf Ejpof /"Mf rbcpsbu"ef wf "f ttf sf "bsjdrbu"jo"gtj"pqf sbujw "tf r vf oEjbrj

- 2/ s jdf sdb"ef rta"epdvn f ouEjpo f "uf dojdb"ef nri"ejgdjp" f "bobrtj"ef j"n buf sbrjrtj qj hbuj"of rta"dpt usvEjpo f <
- 3/ jt qf Ejpof "ejf ub"ef j"n buf sbrjrtj veef u j"bj"goj"ej"jef oujgbsf "r vf rj"gsjbcjrj" qpu f oEjbrn f ouf dpouf of ouj" gcsf "ej"bn jboup<
- 4/ wf sjgdb"ef rta"t ubup"ej"dpot f swbEjpo f "ef j"n buf sbrjrtj"gsjbcjrj"joejwjevbu" dpt e"eb"wbmbsf "jo"vo"qsjn p n pn f oup"jrt qpu f oEjbrf"sjrt djp"ej" gcsf "of rta"n c jf ouf <
- 5/ dbn qjpobn f oup"ef j"n buf sbrjrtj"gsjbcjrj"t pt qf u j<
- 6/ n bqabwbs"ef rta"bsf f "jo"dvj"t pop"qsf tf ouj"j"n buf sbrjrtj dpouf of ouj"bn jboup<
- 7/ sf ebEjpo f "ej"tdi f ef "dpo"rri"jogpsn bEjpoj"sjdbwbf /

Krtqf st pobrn"jodbsjdbu"ef rjt qf Ejpof "f "ef rta"n qjpobn f oup"ef wf "qptt ef sf "dpo" qf uf oE "ubrjeb;

- joejwjevbsf "qsjpsjbsjbn f ouf "j"tju"ej"vcjdbEjpo f "ej" f wf ouvbrjrtjot ubrtaEjpoj"ej"n buf sbrjrtj"gsjbcjrj<
- sjdpoptdf sf "ujq" f "dbsbuf sjt udi f "ef rta"n buf sbrf"jn qj hbuj<
- wbmbsf "rta"t ubup"ej"dpot f swbEjpo f -"rta"jof hsjw"ef j"n buf sbrjrtj"rta"t ubup"ej"dpot f swbEjpo f "f rri"dpoeEjpoj"ef hrj f wf ouvbrjrtjw t ujn f ouj<
- wbmbsf "rta"gsjbcjrj"ef j"n buf sbrjrtj<
- bepwsf "pqqpswop" qsf dbvEjpoj"evsbouf "rta"n bojqprtaEjpo f "ef j"n buf sbrjrtj dpouf of ouj"bn jboup<
- f gf uwbsf "jrt ubn qjpobn f oup"tf dpoe"qspdf evsf "n jsbu f "b"sjevssf "rta"t qpt jEjpo f "ef rta"qf sbupsf "f "rta" dpoubn jobEjpo f "ef rta"n c jf ouf "djsdpt ubouf -"pu f of oep"brta"dpouf n qp"qsf rri"vj" f "sjt vrbuj"qsf djtj/

**7.4.2.1) Campionamento**

Rvbrrsb" brta"ouf sop" ej" vo" f ejgdjp" tjbop" qsf tf ouj" n buf sbrjrtj of j"r vbrjrtj" tpt qf ub" rta" qsf tf oE" ej"bn jboup- pddpsf sl" qspdf ef sf "brta" sbddprta"ej"vo" dbn qjpo f ")qpsEjpo f \*ef rta"n buf sbrf" f "brta"t vb" bobrtj"eb"qbsf "ej"vo rbcpsbupsj" bcjrjrbu" f vjboep" jof swf ouj" ejt usv uuj" di f " qpttpop" ef uf sn jobsf "vob" dpoubn jobEjpo f "ef hrj bn c jf ouj" djsdpt ubouj/

Krtubn qjpobn f oup"wb" f hvjup"jo"n bojf sb"qsjpsjbsjbtv"n buf sbrjrtj dbsbuf sEebuj"eb;

- f rfwub"gsjbcjrj" f "dbujwp"t ubup"ej"dpot f swbEjpo f <
- gdrjrtj" bddf ttp"p"n bodboE"ej"sjw t ujn f ouj" f "ej"n f E"ej"dpogobn f oup<
- tvtdf ujcjrj"ej"gdjrtj"eboo f hhjbn f oup" f "qpttjcjrj"ej"sjrt djp"ej" gcsf "of rta"n c jf ouf <
- sf r vf ouj"jof swf ouj"ej"n bovf oEjpo f "f "n bopn jtjpoj/

Qsf rjm jobsn f ouf "brtqsf rri"wp"ef rta"n qjpo f "à" of df ttbsj" bdr vjtjsf "rta"epdvn f ouEjpo f "gphsbgjdb"b" dprsj ef rta"n buf sbrf"eb"bobrtj"bsf -"eb"dvj"sjt vrtj"rta"t usv uvsb"n bdspt dpajdb" f "rtvcjdbEjpo f /

M" qspdf evsf "ej" dbn qjpobn f oup" ef wpo" f ttf sf " f gf uwbu f "dpo" f tuf n b" dbvuf rta"t brta"hbvseboep" jrtqjò qpttjcjrj"rta"qf sbupsf "f e" f vjboep"ej"dpoubn jobsf "rta"n c jf ouf "djsdpt ubouf /

Mpqf sbupsf " ef wf " qf sbou" bepwsf " ejt qptjuj" ej" qspuf Ejpo f " joejwjevbrj" jepof j" b" qsf tf swsrp ebri"t qpt jEjpo f -"r vbrjrtj n btdi f sf -"hvboj-"dbrta"wsf " f "uw" qspuf ujjw /"Krtqsf rri"wp"ef rta"n qjpo f "ej"n buf sbrf" tpt qf up"ef wf "f ttf sf " f gf uwbu" busbw st p"t usv n f ouj" jepof j"b"opo" qspwdbsf "ejt qf stjpo f "ej" qprw"sf "p" gcsf of rta"n c jf ouf -"r vbrjrtj qjoe" -"gpcjdj-" uf obhrjrtj -"qjddprjrtj dbrta" rta" df t p jf -"f dd/"Tpop" qf sbou" eb" f vjbsf "usbqboj- gsf tf -"t dbrta" rta"hsptt prta"oj-"rjm f -"gsv rta"j-"f dd/"Qf s"j"dbn qjpobn f ouj"jo"qspgoeju"à-"jowf df -"dpotjhrtjbcjrj"rta"t p"ej dbspubupsj"b"uf ovub"t ubhob-"jo"bddbjp-"wf usp"p"bdsjrtj/

Evsbouf "jrt ubn qjpobn f oup"ef wf "f ttf sf "qsf rfwub"vob"qjddprta"r vbouj"ej"n buf sbrf"ubri"eb"opo"brta"bsf "rta" qbsf "sjn bof ouf "jo"tjup/

K' n buf sbrjrtj dpouf of ouj" bn jboup" qpttpop" f ttf sf "pn phf of j" p" f uf sphf of j<" b" tf dpoeb" ej" r vf t up" bt qf up

dbn cjb"jrt vbojubujwp"ej"n buf sjbrn"tvqgdj of "be" f gf wvbsf "vo"qsf rji wp;  
."materiali omogenei."qspepuj"jo"bn jboup.df n f oup-"qboof rjijt prbouj"qf s"qbsf uj"p"t pggjuj-"n bovduj  
uf ttjrn"n buf sjbrn"sgjbcjrt qsv"ebuj". "t pop"ej"t prjup"tvqgdj of uj"2"p"3"dbn qjpoj"sbqqs f t obujwj"ej"djsdb"6  
dn <sup>3</sup><  
- materiali eterogenei."jt prbn f ouj"ej"wcj" f "dbrebj" "à"dpotjhjbcjrn"qsf rfvbsf "eb"3"b"4"dbn qjpoj"phoj  
211"n <sup>3</sup>)bwf oep"dvbs"ej"dbn qjposf "bodi f" of"j"qvouj"ej"ejw st b"dpnsb"ejpof "tvqf sgdjbrn"sjt qf up"bm  
dpn qrtt p"ef nlt"vqf sgdjf "tuf ttb"\*/

Mbeepw "t pop"t ubuf "f gf wvbuf "ef rfn"sjqbsb"ejpoj"of ruf n qp"ef wpop" f ttf sf "qsf rfvbu"vnr f sjpsj"dbn qjpoj/  
Kthdbn qjpoj " qsf rfvbup" ef wf " f ttf sf " qpt up" tvcjup" jo" vob" cvt ub" ej" qrtt ujb" f sn f ujb n f ouf " tjhjntbcjrn" f  
dpssf ebup"ej"vob"tdi f eb"ej"qsf rji wp" dpo"uwuf "rn"jogpsn b"ejpoj"of df ttbsj f /  
Kthqvoup" ej" qsf rji wp-" jowf df -" ef wf " f ttf sf " "sjqbsbup" dpo" bef hvbu" tjhjntbouj" poef " f vjbsf " rni wf oubrn  
ejt qf stjpoj "ef rfn" gcsf /  
Kogof "jrt dbn qjpoj -" rlt"tdi f eb"ej"qsf rji wp" f " rlt"epdvn f oub"ejpof "gphsbgdb"epwsboop" f ttf sf "usbt n f ttf "bm  
rbcpsbupsj" t qf djbrt ujb" jodbsjdbup" ef rfn" bobrtj" di f " qspdf ef sU" brntddf subn f oup" ef rni wf oubrn" qsf t f oeb" ej  
bn jboup/  
E brn" bobrtj" ej" rbcpsbupsj" à" qpttjcjrn" sjr f vbsf "bodi f" rlt" uqprphj" ej"bn jboup" f " rlt" sf rlujb" dpodf oub"ejpof  
qf sdf oubrn/

### 7.4.2.2) Campionamento ambientale

Rvboep"j" sjt vrbuj" ef rthdbn qjpo n f oup" dpog sn bop" rlt" qsf t f oeb" ej"bn jboup" f "tj" qsf t f oubop" tjuw"ejpoj" ej  
jodf sub" drttjgdb"ejpof -" à" of df ttbsjb" bodi f" vob" joebhjof" bn c jf oubrn" di f" n jtvsj" rlt" dpodf oub"ejpof  
of rlt" n c jf ouf "ej" gcsf "bf spejt qf stf /  
Kthdbn qjpo n f oup"bn c jf oubrn"tj" f gf wv" qsf rfvboep" rlt" of j" rphi j" phhf up" ej" bobrtj" f e"à" n prp" vjrn  
qf s" jef oujgdb" rlt" df rlt" "ej" cpojgdb" f Op" qf s" f t bsof " rlt" ggdjdb /  
K" s" rlt" ejpof "bhrtj" pcj f ujj" ef rlt" pojupsbhj" qptt pop" f ttf sf "qjbojgdb" dbn qjpo n f ouj" b" csf wf " f " b" mohp  
uf sn jof "hf of sbm f ouf "dpoepuj" dpo" dbn qjpo bupsj" b" gwt t p" dpt ubouf /  
M" f dojdi f " jn qj f hbu" "t pop" rlt" NP DG" f " rlt" TFN < of rthdbt p" ef rlt" NP DG" wup" jrt n buf sjbrn" gcspt p" vj f of  
dpotjef sbup" n f ouf -" of rthdbt p" ef rlt" TFN -" à" qpttjcjrn" joejv"vbsf " t prbouj" rlt" gcsf " ej" bn jboup" / Qf s" r v f t up  
n puwp" t" sjuf of " di f " wbrpsj" tvqf sjpsj" b" 31" ggdj vrbuj" jo" NP DG" p" tvqf sjpsj" b" 3" ggdj jo" TFN -" pu f ovj" dpn f " wbrpsj  
n f ej" tv" brn f op" us" dbn qjpo n f ouj" qptt pop" f ttf sf "joejdbujwj" ej" vob" tjuw"ejpof "ej" jor vjobn f oup" jo" bu p/  
M" n pebrj" p qf sbujw" qf s" f gf wvbsf "vo" dbn qjpo n f oup" bn c jf oubrn" qsf wf epop;  
• dbn qjpo n f ouj" b" 2-71" n "ebrt vprp <  
• dbn qjpo bupsj" b" gwt t p" dpt ubouf <  
• gnosj" ej" f t f sj" ej" df rrt b" f " qprjdbsc pobup" dpo" qpspt j" u" ej" 1/9" o n <  
• evsbub" ef j" qsf rji vj" dpn qsf t j" usb" 5". "9" psf <  
jo" bn c jf ouj" ej" vjub; "dpo" wbrpsj" hvjeb" qbsj" b" 31" ggdj jo" NP DG" p" 3" ggdj jo" TFN" dpo" n jds p bobrtj/

### Metodo MOCF

Mvt p" ef rlt" n jdspt dpqjb" pu jdb" jo" dpousbt up" ej" gdt f ") NP DG" dpt ujujt df "vop" t usvn f oup" vjrn" brntdr vjtj"ejpof "f  
ejgjtj pof " ej" joebhjoj" qsf rjm jobsj- " t dsf f ojoh" wf rtdj" p" dpousprjil sjqf wuj" jo" qbsj dprtsf " jo" bn c jf ouj" ej" rlvwsp" p  
of rlt" dtj" ej" t dpjcf oub"ejpof "ej" f ejgdj" p" brnt" t usv wsf /

#### Caratteristiche

""""M" "bobrtj" jo" Npdg" t j" bqqrjalbop" t prbn f ouf "brnt" n busjdf "bsjb") bt qjsb"ejpof -" gnosb"ejpof "tv" gnosp" / "Tj" usub" ej  
vo(bobrtj) r vbojubujwb" ef rfn" gcsf " upbrj" bf spejt qf stf " sf hprbn f oubuf " t f oeb" rlt" ejt dsjn job"ejpof " ej" gcsf " ej  
bn jboup" f "opo < jrt vrbuj" à" f t qsf ttp" jo" dpodf oub"ejpof ") gcsf "Ovprn f \* /  
""""M" n f upejdb- " cbt boeptj" tvrthdpouf hhj" dbt vbrn" ef rfn" gcsf " upbrj" sf hprbn f oubuf -" ef wf " qsf t f oubf " jrt hjo  
f rfvbup" hsbep" ej" df suf "eb" t ubujt ujb" jo" sf rlt" ejpof " brnt" wbsjbcjruj" ef rlt" t usvn f oub"ejpof -" ef rlt" p qf sbupsj" f " ef j  
rbcpsbupsj" Sjt vrbuj" goebn f oub" rlt" t qf sjf oeb" f " rlt" cjrjruj" uf dojdb" ef rlt" bobrtj ub" / Kth" f upep" bobrtj dp" ej" sjg sjn f oup  
à" qvccrjalbup" tvrth" E/N/ "1701: 0: 5" brnt hbu" 3". "qvoup" B/

### Metodo SEM

Mvt p" ef rlt" n jdspt dpqjb" f rfuwspojdb" b" t dbot j pof " ) TFN \*" gsojtdf " vob" vjtj pof " n prp" qsf dtj b" ef hrtj bt qf uj  
n psgprhjdj" ef rfn" gcsf -" dpo" ef ubhrtj" "qbsj dprtsjruj" bssjddi jub" ebrtjt uf n b" ej" n jds p bobrtj/

#### Caratteristiche

""""Tj" usub" ej" vo(bobrtj) di f " qf sn f uf " rlt" ef uf sn job"ejpof " r vbrj r vbojubujwb" ef rfn" gcsf " ej" bn jboup" bf spejt qf stf f

sf hprbn f oubf -"f e"jrtstvrubp"à"ftqsf ttp"jo"dpodf ousbèjpopf ")gcsf 0vprmn f \*"/Qy1 "f ttf sf "f gf wvub"tv"uwuf "rn n busjd;"bsjb-"bdr vb-"tvprp-"sjgvj/"Tj"usbub"ef rln f upep"ej"frfèjpopf "qf s"rb"ef uf sn jobèjpopf "ef rln jboup-"jo r vboup"dpotf ouf "r(ousjcvèjpopf "df sb"ef rln" gcsf "ej"bn jboup"sjt qf up"be"brusj"tf sqf ouj"opo" gcsptj" f "brusf yqprphj" "ej" gcsf -"hsbèj"brttjt uf n b"ej"n jdsprobbrjt/"È"jo"hf of sf "joejdbup"qf s"ef uf sn jobèjpopf "r vboujubv"jo dbtp"ej"qsf tf oèb"ej"bn jboup"="2& "jo"qf t p/"Kfn f upep"bobrtjdp"ej"sjf sjn f oup"à"qvccrjdbup"tvrtE/N/"1701: 0: 5 brfnhbup"3".qvoup"C/

### Campionamenti personali

K'dbn ajpobn f ouj" qf stpobrjt"tj" f gf wvbop" qsf rfnwboep" r(ousj" busbwf stp"vo" dbn ajpobupsf "joeptt bup"eb"vo t phhf up" n f ouf "t vprnf " bujvjw" ej" spvujof /" K'hdn ajpobupsf "tbsù" dptujwju" eb"vob"qpn qf ub" di f "qsf rfnw r vboujw" opuf "ej"bsjb"of rhu f n qp" f "bt tpscjsù" hrtjor vjboj"bf sf pejt qf stj"jo"jepof j"tjt uf n j"ej"gtt bhbjp/"Ubrn n pebrjw"à"vujwèb"qf s'n jtvsbsf "r( t qptjèjpopf "n f ejb"ef r(oejwjev"brfn"ejw stf "tpt uboè /

M"n pebrjw"pqf sbujw"qf s" f gf wvbsf "jrtubn ajpobn f oup"qsf wf epop;

- dbn ajpobn f oup"qf stpobrnf" dpo"tjt uf n j"ej"qsf rfn w"b"gmt p" dpt ubouf "tv"grusj"ej" f tuf sj"ej"df rnrpt b" dpo qpsptjw"1/9"n <
- evsbb"ef j"qsf rfn w"tvcpsèjjobub"brn"qprw" sptjw"qsf tf ouf "of rln cjf ouf <

bn cjf ouj"ej"rhwps;"wbrpsf "rjm juf "qbsj"b"1/2"gdh 4"n jtvsbù" dpn f "n f ejb"qpoef sbub"jo"vo"uf n qp"ej"sjf sjn f oup ej"pup"psf /

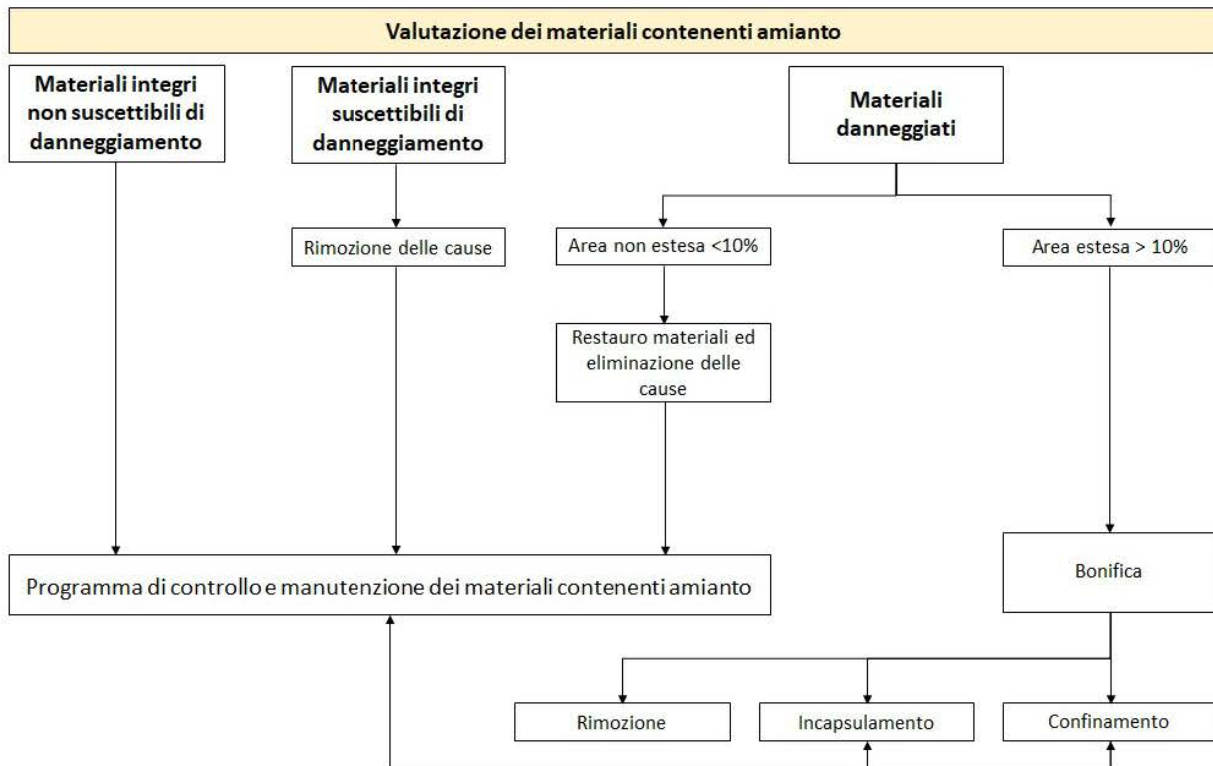
### 7.4.3 Valutazione del rischio

Epqp" bwf s" wbrubup" rb" dpodf ousbèjpopf " ef rln" gcsf " bf spejt qf stf " brnjouf sop" ef rln ejgdjp" busbwf stp dbn ajpobn f ouj"bn cjf obrj"qf s"phoj"bsf b"ef rln ejgdjp"jo"dvj"t pop"qsf tf ouj"n buf sjbrjdpouf of ouj"bn jboup-"tbsù sf ebub"vob"t di f eb"ej"t pqsbrmphp" dpo"uwuf "rln"jopsn bèjpoj"of df ttbsj" b"dpoghvsbsf "r vf rtef uf sn jobup"yq"ej bn jboup-"wbrubf " rln w oubrn" eboof hhjbn f oup"p" ef hsbep" f "rb" qpttjcjrjw" di f "qpttb" ef uf sjpsbstj"p" f ttf sf eboof hhjbu"of r( dptp"ej"opsn brjw bujvjw"p"n bopn jttjpoj/

Mb"qsf tf oèb"ej"n buf sjbrjdpouf of ouj"bn jboup" brnjouf sop" ef rln ejgdjp"opo" dpn qpsb" of df ttbsjbn f ouf "vo qf sjdprp"qf s"rb"tbrmf "ef hrtjpdvqbouj/"Tf "jrtn buf sjbrn"p"jrtn bovduw"of rtr vbrn"t pop"qsf tf ouj" gcsf "ej"bn jboup tj"uspwb"jo"cvpof "dpoejèjpoj"ej"dpotf swbèjpopf "f"opo"vjf of "n bopn f ttp-"jrtst di jp"ej"sjrt djp"ej" gcsf "à"n jojn p- tf "opo"jof tjt uf ouf <tf -"jow df -"jrtn buf sjbrn"tj"uspwb"jo"dpoejèjpoj"ej" ef hsbep-"à"n prap"gsjbcjrj" f "t pnrndjubp- pqqvsf "vjf of -"qf s'r vbrtjtj"dbvtb-"eboof hhjbu-"tj"wf sjgdb"vo"sjrt djp"ej" gcsf "dpo"dpotf hvf ouf "sjt di jp"qf s"rb tbrmf "ef hrtjpdvqbouj"rln ejgdjp/

M"n pebrjw"ej"jouf swf oup"dbn cjbop-"r vjoej-"b"tf dpoeb"ef rln"dpoejèjpoj-"pttjb"ef rln"tubup"ej"jouf hsjw"ef m n buf sjbrn"brtshvbsep-"à"qpttjcjrj"bwf sf ;

- **materiali integri non suscettibili di danneggiamento** . "opo"d"à"qf sjdprp"ej"sjrt djp"ej" gcsf "ej bn jboup"p" f t qptjèjpopf "ef hrtjpdvqbouj;"j"n buf sjbrj"opo"t pop"bdf ttjcjrj"b"dbvtb"ej"vo"cvpo"dpogobn f oup- p"tj"uspwbop"jo"cvpof "dpoejèjpoj-"p"ej"cbt f "dpo qbu"j" f "ejgdjm f ouf "eboof hhjbcjrj"p"qsf tf ouj"jo"bsf f ef rln ejgdjp"opo"pddvqbù /"Ko"r vf t u"dbtj"opo"t pop"qsf vjt u"jouf swf ouj"ej"cpojgdb-"n b"tj"qspshbn n bop f t dmtjwbn f ouf "dpousprj"qf sjpejd"bu"b"dpot ubbsf "rln"dpoejèjpoj"ef rln buf sjbrn" f "jrtst qf up"ef rln"dpssf wf qspdf evsf "ej"n bovf oèjpopf "f"qvrtjeb"ef rln"tbcjrj-"eb"n jojn jèbsf "jrtst djp"ef rln" gcsf "ej"bn jboup<
- **materiali integri suscettibili di danneggiamento** "tjuwèjpoj"of rln"r vbrj"tjt uf "vo"qpuf oèjbrn qf sjdprp"ej"sjrt djp"ef rln" gcsf "ej"bn jboup;"j"n buf sjbrj"tj"uspwbop"jo"cvpof "dpoejèjpoj"n b"t pop"gdjm f ouf eboof hhjbcjrj"ebhrtjpdvqbou-"b"dbvtb"ej"jouf swf ouj"n bovf ouvj-"p"t pop" f t qpt u"b"duwpsj"ej ef uf sjpsbn f oup/"Ko"r vf t u"dbtj"ef wf "f ttf sf "buwub"vo"qspshbn n b"ej"dpousprp" f "n bovf oèjpopf "brtjof "ej f rjm jobsf "p"sjevssf "rln"dbvt f -"dpouf of sf "jrtqf sjdprp"ej"eboof hhjbn f oup<of r( dbtp"jo"dvj"dj" "opo"gtt f qpttjcjrj-"à"pqqsuop"pqbsf "qf s"vo"jouf swf oup"ej"cpojgdb<
- **materiali danneggiati** "tj"tjt uf "qf sjdprp"sf brn"ej"sjrt djp"ej" gcsf "ej"bn jboup" dpo"qpttjcjrj" f t qptjèjpopf ef hrtjpdvqbouj;"n buf sjbrj"b"vj"t ub"p"opo"dpogobu-"qpt u"jo"bsf f "pddvqbù"ef rln ejgdjp-"eboof hhjbu"p ef uf sjpsbu-"gsjbcjrj/"Ko"r vf t u"dbtj"à"of df ttbsj"jouf swf ojsf "of r( cwf "uf sn jof "qf s"dpousbt ubsf "jrtst djp"ej gcsf -"qsf wf ef oep;
  - "jouf swf ouj"ej"sf t ubvsp<
  - "jouf swf ouj"ej"cpojgdb/



### 7.4.3.1 RESTAURO DEI MATERIALI

Hjfl joul swf ouj" ej" sf tubvsp" ef j" n buf sjbrjfl tpop" gobjrjebuj" b" sjqbsbsf " rñ" Epof " eboof hhjbuf -" f rjm jobsf " rñ qpuf oEjbrñ"dbvtf "ej"eboof hhjbn f oup-"tf oEb"epwf s"sjdpsf sf "brñ"cpogjdb/

Tj"bepubop"of rñdbtp"ej;

- n buf sjbrj"jo"cvpof "dpoejEjpoj"dpof "Epof "ej"eboof hhjbn f oup"ej"t dbst b" f tuf otjpoj -"pttjb"jogf sjpsf "brñ"21& ef rñ"tvqf sgjdf "ej"bn jboup"qsf tf ouf <
- wcj-"dbrebj" -"n buf sjbrj"qpdq"gsjbcj"ej"n busjdf "df n f oujEj"b"dpof"ebooj"djcdpt dsjuj<
- n buf sjbrj"gsjbcj"j"dpof"tvqf sgjdf "joul hsb" f "dpf tjpoj "tvqgdjdf ouf "eb"opo"ef uf sn jobsf "vo"sjrñtdj"t qpoubof p ef rñ"gcscf /

### 7.4.3.2 TECNICHE DI BONIFICA

Mb"cpogjdb"ef rñon jboup"qvì "f ttf sf "f gf wvub"n f ejbouf "uf dojdi f "ej;

- sijn pEjpoj <
- jodbqtvrñon f oup<
- dpogobn f oup/

#### 7.4.3.2.1) RIMOZIONE

Mb" sijn pEjpoj " dpotjtuf " of rñot qpsubEjpoj " ef gojujb" ef rñn buf sjbrñ" dpouf of ouf " bn jboup" f rjm joboep" phoj qpuf oEjbrñ"gpouf "ej" f tqptjEjpoj /

Ko"qbsuf "ef j"dbtj"j"n bovduj"jo"df n f oup.bn jboup"sjn pttj"wf ohpop"qpj"tptujwuj"dpof"brñ"n buf sjbrj/

Ubrñ"bujujw"à"qsjodjbm f ouf "joejdbu"jo"dpoejEjpoj"ej"hsbwf "f e" f tuf tp"ef hsbep"ef rñn buf sjbrñ" f "of rñdbtp"ej bujujw"ej"ef n pñEjpoj /

M "pqf sbEjpoj"ej"sjn pEjpoj "ej"% buf sjbrñ"dpouf of ouf "bn jboup"%NDB\*-"dpn f "rñoccbujn f oup"ej"qbsbn f ouj-"rñ ef n pñEjpoj "ej"sjw tujn f ouj-"jñtejt ubddp"ej"qboof rñjlp"rñt usf -"qpttpop"ef uf sn jobsf "vob"opuf wprñ"ejt qf stjpoj "ej gcsf " e"bn jboup" of rñbsjb/"M " wbsj" pqf sbEjpoj" ef wpop-" qf subou-" f ttf sf "tvprñ" dpo" rñ"pqpswof " dbvuf rñ" f qspuf Ejpoj" qf s" j" rñwvpsbupsj" f " rñon cjf ouf " djcdptubouf -" brñsjn f ouj" jrñheoop" sjt di jb" ej" f ttf sf " n bhjpsf " ef m cf of gdjp/

Tj"qspwef ef sù"brñ"sjn pEjpoj "ef rñn buf sjbrñ"dpouf of ouf "bn jboup"sjqf sdpsf oep"qvowbm f ouf "jrñtf hvf ouf juf s"qspdf evsbrñ;

2/"dbn ajpobn f oup"bn cjf oubrñ-"f gf wvub"tf dpoe"4"tj;

- prima"ef rñouf swf oup". "qf s"wbmbsf "rñ"t ubup"ef j"n buf sjbrj" f e"jrñwv rñ"ej"sjrñtdj"ej"gcscf "ej"bn jboup

of mōn cĵf ouf <

- *durante* "rĵouf swf oup". "qf s't bmbhv bsebsf "j" rōwpsupsj" f "rōn cĵf ouf "dĵsdpt lbouf "ebnfn" gcsf "ej" bn jboup bf spejt qf stf <
- *al termine* "ef mōu f swf oup". "brĵo f "ej" wbmbsf "rb" sf t u w j c j n u " ef rĵt jup "c pojgdbup/

3/"qsf tf ouf ěj pof "bmb" BTM "ej" dpn qf uf oěb "ef rĵajbop" ej "rōwpsp" qsjn b "ef mōj ěj p" ef j "rōwpsj" <

4/"qspĥsb n běj pof "ef mōu f sb" qspgrĵt t j "n f ejdb" qf s "j" rōwpsupsj "dpjowprĵ" dpn f "qsf wĵt up" ebnfn "wĵhf ouj" opsn f "jo n buf sĵb" ej "t b m u f " f "t j d v s f ěb" t v rĵ rōwpsp <

5/"jogpsn běj pof "ef j" rōwpsupsj "t v rĥst di j p" "t v rĥn" d b s b u f s j t u d i f "ef mōu f swf oup" f "t v rĥdpouf ovup" ef rĵajbop" ej rōwpsp <

6/"bobrĵt j" ej "jepof p" dbn qĵpof "ef rĵN DB" brĵo f "ef mō" drĵt t j g d b ěj pof "f "ej" f w f ouwbrĵ "dpn vojdbějpoj" sf rōujw f "b m p t up d d b h h j p " q s p w j t p s j p " e f rĥs j g v u p <

7/"b m f t u j n f o u p " e f rĵ d b o u j f s f " j o " r v p u b " b w f o e p " d v s b " e j " s j t q f u b s f " u w u f " r n " o p s n f " b o u j o g p s w o j t u d i f " s f r o u j w f " b m b q s f w f o ěj p o f " e f j " s j t d i j " e j " d b e v u b " e b m b o p " f " e j " t g o e b n f o u p " e j " r o t u s f " f t j t u f o u j <

8/"w b m u b ěj p o f " e f m f t q p t j ěj p o f " e f j " r o w p s u p s j " n f e j b o u f " d b n q j p o b n f o u p " e f m f n " g c s f " b f s p e j t q f s t f " p w f s p g d f o e p " s j g s j n f o u p " b e " j o e b h j o j " h j u f g f u w b u f " j o " p d d b t j p o f " e j " q s f d e f o u j " j o u f s w f o u j <

9/"bepěj pof " ef j" qsf tdsuj" ejt qpt jujw" ej" qspuf ěj pof " joejwjevbrn" qf s" j" rōwpsupsj- " dpo" qbsj d p r b s f " b m f n " w j f s f t q j s b u p s j f <

: /"cpojgdb"ef rĵb b o b r n " e j " h s p o e b " ) p w f " o f d f t t b s j p \* <

21/" ũsbubn f oup" qsf rĵm jobsf " ef mō" tvqf sgdjf " ef mō" rōt usf " f t j t u f o u j " d p o " q s p e p u j " j o d b q t v r b o u j o q f m j a p r b o u j n f e j b o u f " u f d o j d i f " e j " b q q r j a b ěj p o f " b j s r f t t " ) t f o ě b " b s j b \* <

22/"t n p o u b h h j p " e f rĵ N D B " f w j b o e p " j o u f s w f o u j " e j t ũ v u j w j <

23/"j n q j r b n f o u p " e f m f n " r o t u s f " p " e f rĵ N D B " q s f g s j c j m f o u f " j o " r v p u b " f " d b r p " b " u f s s b " d p o " b e f h v b u j " n f ěj " e j t p r f w b n f o u p <

24/"j n c b m b h h j p " e f m f n " r o t u s f " p " N D B " s j n p t t p " f " j n q j r b u p <

25/"t up d d b h h j p " u f n q p s b o f p " e f m f n " r o t u s f " j o " b s f b " b q q p t j u b " p " e j s f u b n f o u f " o f rĵ d p o l b j o f s " e f t u j o b u p " b rĵ s b t q p s p <

26/"q v r ěj b " r v p u e j b o b " e f m f n " b s f b " e j " d b o u j f s f " b " u f s s b <

27/"t n b r ĵ j n f o u p " e f g o j u j w p " e f rĵ N D B " j o " e j t d b s j d b " b v u p s j ěb u b " f " d p o g p s n f " b m b " d b u f h p s j b " e j " s j g v u p " s j n p t t p /

**Procedure operative**

Qsjn b"ej"qspdf ef sf "bmb"sjn pěj pof "ef mōn rfn f oup"jo"bn jboup-"jĵn buf sĵbrn"ef w "f ttf sf "jn cĵcĵp"qf s'n f ěěp"ej bhf ouj"tvsgubouj")t p m ěj p o j " b d r v p t f " e j " f u f s f " f e " f t u f s f " e j " q p r j p t t j f u j r o f \* " p " j n q s f h o b o u j " ) q s p e p u j " w j o j m b d s j j o j d p n v o f n f o u f " v t b u j " q f s " r j o d b q t v r b n f o u p \* " / K o " u b r n p e p " w o h p o p " g t t b u f " r n " g c s f " e j t l b d d b u f " p " b g j p s b o u j " d i f q p u s f c c f s p " e j t q f s e f s t j " o f m b s j b " e v s b o u f " r b " n b o j q p r b ěj p o f /

Mb"t p m ěj p o f " w j f o f " b q q r j a b u b " b u s b w f s t p " v o " h f u p " e j g t p " b " c b t t b " q s f t t j p o f - " p o e f " f w j u b s f " d i f " r ĵ n q b u p " e f m h f u p " d p o u s j c v j t d b " b r ĥ s j r o t d j p " e j " g c s f /

Tf -" ũ u b u j w j b - " o p o " à " q p t t j c j r n " p u f o f s f " v o ĵ n q s f h o b ěj p o f " u p l b r n " b " d b v t b " e f m p " t q f t t p s f " e f rĥs j w t u j n f o u p " p " e j ũ s b u b n f o u j " e j " t v q f s g d j f - " t j " s f b r ěb o p " e f j " g p s j " o f rĵ n b u f s j b r n " q f s " j o j f u b s f " r b " t p m ěj p o f " j n c j c f o u f " j o " q s p g o e j u j / E j " t p r j u p " r n " q s p d f e v s f " p q f s b u j w " e j " s j n p ěj p o f " e f m o n j b o u p " t j " b s j d p r b o p " j o " e v f " g t j ;

- *prima fase* ". "sjn pěj pof "hsptt p r b o b " b u s b w f s t p " s b t d i j f u j " b " n b o p - " r n " t v q f s g d j " e f w p o p " f t t f s f " q p j t q b ěěp r i b u f " b e " v n j e p " j o " n p e p " e b " b t q p s b s f " ũ u j " j s f t j e v j " w j t j c j r n " e f rĵ n b u f s j b r n <
- *seconda fase* ". "brĵf sn jof "ef mōn"pqf sbějpoj"ej"sjn pěj pof -"rĵn"tvqf sgdj"ef wpop"fttf sf "ũsbubuf" dpo"vo qsp epup"tjhj n u o u f -"jo"n pep"eb"gttbsf "rĵn" gcsf "di f "opo"t pop"t ubuf "bt qpsubuf /

Of rĵd b t p " e j " d p q f s u s f " j o " b n j b o u p - " à " q p t t j c j r n " s j o w o j s f " b d d v n v r ĵ e j " g c s f " o f m f n " ě p o f " e j " t p w s b q q p t j ěj p o f " e f m f n r o t u s f " d i f " o p o " w f o h p o p " s b h h j v o u f " e b r ĥ s b u b n f o u p " j o d b q t v r b o u f /

Qf s'f vjbsf -"joprusf -"di f "lbrjrtat usf "tj"gsbown jop"evsbouf "ra"sjn p'ejpof -"à"pqapsuop"sjn vpwf sf  
qsf wf oujvbn f ouf "hboj- "vuj"p"di jpej"ej"gtt bhbjp/  
Hrj'f rfn f ouj"sjn pptj"opo"ef wpop"f ttf sf "jo"bravo"n pep"gsbown buj"f "wboop"di jvtj"jo"vo"epqajp"jn cbnrbhhj  
qsjn b"di f "qpttbop"fttjdbf /  
K'qf "bdvn jobu"p"lbrjrtat ouj"qpttpop"qspwdbf "ra"spuwsb"ef hrj'jn cbnrbhhj-"qf subop-"wboop"jn cbnrb  
tf qbsubn f oup"f "dpo"qbsjdrtsf "dvsb/  
Mjn cbnrbhhj"ef wf "f ttf sf "f gf wvbu"qsf wf ef oep"vo"epqajp"dpouf ojpsf ;"jrtujn p"dpouf ojpsf "ef wf "f ttf sf  
dptujwju"eb"vo"tbbd"ej"n buf sbrfn"jn qf sn f bcjfn")qprj ujrf of \*ej"tqf ttpsf "qbsj"be"bm f op"1-26"n n -"n f ouf -"jm  
tf dpoep"dpouf ojpsf "eb"tbbd j"p"gtuj"sjhej/  
E"qsf f s'cjrj"sjf n qsf "j"tbbd j"p"be"vo"n bttjn p"ej"304-"dptjddi à"jrtqf tp"opo"f ddf eb"j"41"l h/  
Epqp"di f "j"dpouf ojpsj"tjbop"tubuj"sjf n qju-"cjtphob"btqbsf "r"bsj"jo"f ddf ttp"vuj"boep"vo"btqbsupsf "b  
gruj"bttpmuj-"tvddf ttjvbn f ouf "tjhjrtat"busbwf stp"uf sn ptbrabwsb"p"epqajp"rnhbdddj/

Qf s'dpouf of sf "jrtqf s'jdrp"ej"ejtqf stjop"ef rfn"gcfs -"jrtm buf sbrfn"ef wf "f ttf sf "jotbbdbup"of rfn"b"ej"rhwpsp"fe  
j"tbbd j"di jvtj"qpsubj"of rfn"voju"ej"ef dpoubn job'ejpof ")V/E/\*/  
Mbsf b"ej"ef dpoubn job'ejpof "ef rrtqf stpobrj"tj"dpn qpof "ej"5"epof "ejtjouf ;

- *locale di equipaggiamento* . "bn cij ouf "dbsuof s'ej'ebup"eb"qbsf uj-"tppgju"p"qbwjn f oup"sjwf tujj"dpou"vo"ghrj  
ej"qrtujdb"ej"bef hvbu"tqf ttpsf "g'ohf "eb"qbtbhbjp"qf s"hrj'pqf sbj"di f "ebn"b"b"ej"rhwpsp"ef wpop  
bddf ef sf "brhpdbrfn"epddjb/"Bn"ouf sop"ef rthpdbrfn"vjf of "qsf ejtqtp"vo"dpouf ojpsf "bgjodi à"hrj'pqf sbj  
qpttbop"sjqpsf "jrtqspqsj"frvjqbhbjbn f oup<  
• *locale doccia* - bn cij ouf "bddf ttjcrj"brhpdbrfn"frvjqbhbjbn f oup"ef "ebn"di jvtb"e"bsj/"Ef wf "f ttf sf  
epubup"ej"bm f op"vob"epddjb"dpou"bdr vb"dbreb"f "gsf eeb<  
• *chiusa d'aria* . "tqb'ej"rthsp"djsdb"2-6"n -"dprfnhbu"brhpdbrfn"epddjb"fe"brhpdbrfn"tqphrjbu"j"É"pqapsuop  
di f "hrj'pqf sbj"busbwf stjop"ra"di jvtb"e"bsj"vop"bna"vprub"jo"n pep"ubrj"di f "vop"ef hrj'bddf ttj"sf tuj"tf n qsf  
di jvtp<  
• *locale incontaminato (spogliatoio)* . "bn cij ouf "bddf ttjcrj"brhpdbrfn"tuf sop")bsf f "jodpoubn jobu" \*f "ebn"di jvtb  
e"bsj<"g'ohf "eb"n bhb'ejop"qf s"rfr"vjqbhbjbn f oup"qvru"jo"r vbou"qsf tf ou"ef hrj'bsn bejf uj"jo"dvj"hrj  
pqf sbj"sjqphop"j"qspqsj"bcju/

K'hrpdbrfn"epddjb"vjf of "jn qj' hbu"qf s"jrt'bwbhbjp"ef j"tbbd j-"ra"di jvtb"e"bsj"qf s"jrt'f dpoep"jotbbdbn f oup-"jm  
rpdbrfn"jodpoubn jobu"qf s"jrt'ef qptjup/"Ko"ubr'abt"p"ef wpop"f ttf sf "qsf ejtqtp"uf "uf "tr vbes" "ej"pqf sbupsj"n vojju"ej  
jepof j"n f "ej"qspu"ejpof -"ej"dvj"ra"qsjn b"tr vbes"qspw"ef s"j"brh'bstqpsu"ef j"tbbd j"ebn"b"b"ej"rhwpsp  
bn"bqqtjbu"voju"ra"t'f dpoeb"b"rhwbhbjp"fe"jotbbdbn f oup-"ra"uf s'eb"brh'pouobn f oup"ef j"tbbd j"brh'f tuf sop/

Ko"sf bruj"tbsf ccf "qsf f s'cjrj"jotubr'bsf "vob"t'johpr"ra"fe"bqqtjbu"voju"pqf sbujw")V/P/\*qf s"jrt'qbtbhbjp"ef j  
n buf sbrj"bodi f "f "opo"tf n qsf "tj"ejtqpo"ef rnt"qb'ej"of df t'bsj/

Ubrj"epob"ef wf "f ttf sf "dptujwju"eb"bm f op"uf "rpdbrj"sjtqf ujvbn f ouf "qf s"jrt'bwbhbjp"ef j"tbbd j-"qf s"jm  
tf dpoep"jotbbdbn f oup"f "qf s"jrt'ef qptjup"uf n qpsob"p"ef "j"sjgv"di f "epwsboop"qj"j"t'f sf "brh'pobobuj"ebn"b"b"ej  
rhwpsp/

E"pqapsuop-"joprusf -"di f "j"tbbd j"v'ohbop"brh'pobobuj"ebn"b"b"ej"rhwpsp"jo"vo"voju"db"gtf "f "di f "jrt'qf s'cst  
sf tuj"tjhjrtat"p"jop"b"r'v'f rfn pn f oup/

B"lbrjrtat"qf s'cjtphob"qsf ejtqpsf "evf "tr vbes" "ej"rhwpsupsj"jo"r vbou-"j"rhwpsupsj"qspw"ojf ouj"ebn"b"b"ej  
rhwpsp-"vtdf oep-"qpusf ccf sp"qspwdbf "ra"ejtqf stjop"ef rfn"gcfs "busbwf stp"hrj'joevn f ouj"dpoubn jobu<

qf subop-"ra"qsjn b"tr vbes"ej"pqf sbupsj"epws"qspw"ef sf "b"rhwbhbjp-"t'f dpoep"jotbbdbn f oup"ef "ef qptjup"ef j  
tbbd j-"n f ouf "ra"t'f dpoeb"tr vbes-"bddf ef oep"ebn"b"b"ej"ef qptjup-"epws"qpsubsf "g'ysj"sjgvuj/

"K'tbbd j"opo"ef wpop"f ttf sf "usbtdjbu"-n b"n pvjn f ouj"dpou"vo"dbssf rnt"of r'abt"p"ej"vuj"boep"ej"btdf otpsj'f  
n poudbdsjdi j"ef wpop"f ttf sf "sjv' tujj"dpou"uf r'lej"qprj ujrf of /

K'sjgvuj"wboop"qj"ef qptjbu"jo"vo"bsf b"di jvtb"fe"jobddf t'cjrj"brh'f t'usobf j/

**7.4.3.2.1.1) GLOVE BAG**

Qf s" "hrpw" "cbh" ) rfnuf sbrn f ouf "ebn"b"b"ej"rhwpsp" %bddd" dpo" j" hvbou" %" t'j" jouf oef "ra" uf dojdb" di f " qsf vj' of "jm  
dpoubn" ejsf up"usb"r'pqf sbupsf "f e"jrtm buf sbrfn"dpouf of ouf "bn jbou" dpo" r'vtp"ej"tbbd j"jo"qprj ujrf of "vuj"boep  
qf s"vo"qbsjdrtsf "ujq"ej"pqf sb'ejpof "ej"sjn p'ejpof /

Uj'qdbn f ouf " vj' of " vuj"boep" qf s" ra" sjn p'ejpof " ej" tvqf s'gdj" ej" dpjcf ou'ejpof " ej" qjddprb" ejn f otj'pof  
sjhvbseouj"l'wcb'ejpou-"vbmprfn-"hjvo'ejpou-"f dd/

K'hrpw" "cbh" %ef wf "f ttf sf "dptujwju" d'p f "vo"jotj' n f "ej"tbbd f "gpsn bouj"vob"df rna"di jvtb"ej"n buf sbrfn  
qrtujdb"epubub"ej"hvbouj"f "dpouf of ouf "hju"l'wuf "rfn"busf "eb"wsf "of df t'bsj" "brh'ouf swf oup/

Of r'hrpw" "cbh" "joduj-"boesboop"jouspepuj-"qsjn b"ef rna"tjhjrtat"busb"b"uf ovub"t'ubhob-"bu'psop"br'hwcp"p"epob  
jouf sf t'bbub-"wuj"hrj'busf "ej"of df t'bsj/"Dj"t'bsboop"evf "n bojdi f "hvboub"bqqrj'bu"jo"dvj"r'pqf sbupsf "jogifns"j'rn  
csbdddj"qf s'qpu"sf jouf swf ojsf "brh'ouf sop"ef r'htbbd"t'uf ttp"t'vna"dpjcf ou'ejpof "dpouf of ouf "bn jbou/

Tbsl"qsf vj'up-"joprusf -"vop"t'qb'ej"tv'gdj'ouf "brna"cbt"ef r'hrpw" "cbh"qf s"ef qptjubsf "r'bn jbou"sjn ptt"p"f  
dpog'ejpobsrp"jo"n pep"t'j'v'v'p/"Tj"qspw"ef s"j"brna"qspw"ej"uf ovub"ef r'hrpw" "cbh" dpo"gn phf oj/

K'rwpsbupsj"epwsboop"dpn vor vf "joepttbsf "joevn f ouj"qspuf ujuj"n f eej"ej"qspuf eepof "ef rfn"vjf "sf tqjsbupsj jepof j")EQk"qsf tdsjuj"dpn f "of rdtb"ef rnb"sin pEjpop "ej"bn jboup"dpn qbuw"b"dpouuw"ejf up/

**Procedure operative**

Mbsf b"phhf up"ef rnb"sin pEjpop-"pwf"qpttjcrf-"f"tjdvbn f ouf"tf"jouf sob-"tbsu" djsdptdsjub" f Qp"dpogobub )dpo"uf rfej"qprfj yrfnf-"tjhjnboep"rnf"bqf suw"sf"ej"dpn vojdbEjpop "dpo"rnf"tuf sop" f "sjdpqsf oep"qbwin f oubEjpop "f e f wf owbrj"bssf ej"tpuptbouj"rtqvoup"ej"rwpsp\*/

Tj"qspdf ef su"r vjoej"bn"sin pEjpop "ef rfn buf sjbrf"dpouf of ouf "bn jboup"dpo"rnf"uf dojdb"%rpfw"cbh"%baqrjdb"boep j"tf hvf ouj"qvouj;

- jn cjcEjpop "ef rfn buf sjbrf"eb"btqpsbsf "p"baqrjdbEjpop "ej"qspepup"jodbqtvrbouf <
- sin pEjpop "ef rfn buf sjbrf"dpouf of ouf "bn jboup"<
- qvrEjpop"ef rfn"tvqf sgdj"eb"dvj"à"tubup"sin pttp<
- rwbhbjp" f Qp"t qsvEebw"sb"ej"jodbqtvrbouf /

B" gof " rwpsp" rnf"df rnb"tbsu" n f ttb"jo" ef qsf ttjpop" dprfnhboep" rnf"qaptjup" vhf rnf"bn"otqjsbupsf "dpo" grasp bttprup" f "tj"qspdf ef su"r rnb"di jvtvsb"ef rnb"qbsf "jog sjps"ef rfnrpfw"cbh"dpouf of ouf "j"n buf sjbrf"tuspEboep dpo"obtusp"bef tjwp-"f"bwf oep"dvsb"ej"uf of sf "bn"ouf sop"jrn" buf sjbrf"sin pttp/

**7.4.3.2.2) INCAPSULAMENTO**

Mjodbqtvrbo f oup" dpotjuf "jo" vo" usubn f oup" ef rnb"n jboup" dpo" qspepuj" qf of usboj" f Qp" sjdpqsf ouj" di f uf oepop"be"johrncbsf "rnf"gcfs" f e"bhnbodjbsrnf"bn"n busjdf "df n f oujEjpop"/"ko"lbrfn pep"rnf"tvqf sgdjf "vjf of "sjdpqf sub ej"vo"grm"qspuf ujuj"di f "jn qf ejt df "p"sjevdf "jrtjrt djp"ef rnf"gcfs /

E" evor vf "pqpswop" wf sgjdbsf "qf sipejdbn f ouf " rnf"gdjdb"ef rnb"qspuf eepof "di f "qpusf ccf "bn"sbstj" dpo"jm uf n qp-"p" f ttf sf "eboof hhjbb"ebhrj"bhf ouj"bn ptgf sjdj/

K'wboubhhj"ef rnf"jodbqtvrbo f oup"t pop;

- rnf"n jhrjpsf "sf tjtuf oeb"ef rfn buf sjbrf"bhjrbhf ouj"bn ptgf sjdj-"bn"jssbhjbn f oup"t prpsf "f"brfn dprpoeEboepoj"pshbojdi f <
- rnf"qpttjcrj"uj"ej"opo"jotubnsf "dpqf suw"sf "tptjuvujw" <
- rnf"qpttjcrj"uj"ej"dpoujovbsf "b"n bouf of sf "bhjcjrf"rnf"ejgdj"evsbof "rnf"ouf swf oup/

Sf tboep"qf si "of rnb"tf ef "psjhjobsj"-"j"n buf sjbrf"dpouf of ouj"bn jboup"epwsboop" f ttf sf "tpupqptj"be"jepof f dbvuf rnf"qf s"j"tvddf ttjvj"jouf swf ouj"ej"n bovuf oEjpop /"K'rusubn f oup"jogduj-"opo"i b"vob"evsbb"jrn"jubub-"qf s"dvj pddpsf sl"sjqf uf sf "rnf"ouf swf oup"b"ejt uboeb"ej"uf n qp"p"qsf wf ef sf "vob"tvddf ttjwb"sin pEjpop "p"dpogobn f oup/

Of rnb"qsbjdb-"qsin b"ej"baqrjdbsf "rnf"tpt uboeb"jodbqtvrbouf "-"à"pqpswop"qvrjsf "rnf"tvqf sgdjf "ef j"n bovduj"jo df n f oupbn jboup"dpn"bdr vb"be"brnb"qsf ttjpop "-"dpt eeb"hsbouysf "rnf"dpssf ub"bef tjpop "ef rnf"qspepup" f "n bhjpsf evsbb" f e" f gdjdb"ef rnf"usubn f oup/

Ko"phoj"dbtp-"rnf"qsf qbsbEjpop "ef rnf"tvqpsup"ejqf oef "ebrhujq"ej"jodbqtvrbouf "eb"vujrEbsf /

Qf s" f vjbsf "-"joprusf "-"rnf"ejt qf stjpop "ef rnf"gcfs "ej"bn jboup-"f wf owbrm f ouf "f n f stf "jo"tvqf sgdjf "b"tf hvjup ef rnb"qsf qbsbEjpop "ef rnf"tvqpsup-" rnf"tvddf ttjvj "gdtj" ef rnf"djdrp" jodbqtvrbouf "ef vpop"bwf ojsf "brhajo" qsf tup qpttjcrf-"epqp"rnf"qsf qbsbEjpop /

Tpop"vjf ubj"jouf swf ouj"qsf rjn jobsj"ej"qsf qbsbEjpop "bn"jodbqtvrbo f oup"ej"n bovduj"jo"df n f oupbn jboup"jo bn cjf ouj"dpogobuj/

K'qspepuj"jodbqtvrboj"wf ohpop"qj"baqrjdbj"busbwf stp"qpn qf "bjsrntt/

Mjodbqtvrbo f oup"qvi "f ttf sf "buwbup"tprp"epqp"bwf s"wf sgjdbp"rnf"jepof ju"ef rfn buf sjbrf"b"t pqpsbsf "jrtqf t p ef rnf"jodbqtvrbouf /

Nf ejbof "r vftup"n f uep"ej"cpojgdb"rnf"tvqf sgdjf "f tqptub"bhjrbhf ouj"bn ptgf sjdj"à"usubub" dpo"tpt uboef -jo"hf of sf "ej"obusbb"tjouf ydb-"jepof f "be"johrncbsf "f e"bodpsbsf "t rnb"n f ouf "rnf"gcfs "ej"bn jboup"of rnb"n busjdf df n f oujEjpop" f e"jn qf ejsof "jrtjrt djp"of rnb"n cjf ouf /

E"qsf g sjcjrnf"vujrEbsf "rnf"jodbqtvrbo f oup"tv" f rfn f ouj"dpqf suw"sf "-"di f "dpotf svbop"bodpsb"rnf"rpsp" g"oEjpopbrj"u f "t pop"dsb"uf sEebj"eb"vop"tubup"tvqf sgdjbrf"qpd"ef uf sjpsbup" f "epubup"ej"cvpob"sf tjtuf oeb"n f ddbojdb/

K'usubn f ouj"jodbqtvrboj"opo"t pop"dpotjhjrbj"of rdtb"p"ej;

- n buf sjbrf"n prp"gsjbcjrtj"p" dpo"t dbst b"dpf tjpop "jouf sob"p"bef tjpop "brntvctusub". "rnf"jodbqtvrbouf "of bvn f oub"jrtqf t p"t usvwsbrf"bhhsbwboepof "rnf"uf oef oeb"b"ef rnf" jobstj"p"b"t ubdbstj"ebrntvctusub<
- n buf sjbrf"gsjbcjrtj"ej"t qf ttpsf "f rnfwbup")n bhjpsf "ej"3"dn \*". "rnf"jodbqtvrbouf "-"opo"qf of usboep"jo qspgoejw-"opo"sjf tdf "b"sf tjujjsf "bef tjpop "brntvqpsup"tpuptbouf <
- jogrusbEjpop"ej"bdr vb". "jrtusubn f oup"jn qf sn f bcjrEeb"jrn" buf sjbrf-"dsf boep" dpt eejouf sobn f ouf sjtubhoj"ej"bdr vb"di f "baqf tbojt dpop"jrtjrt tujn f oup" f "of "ejt djrthpop"j"rnf"hbouj" dpo"dpotf hvf ouf

ejt ubddp<

- n buf sbrjtdpdm f ouf "bddf ttjcjrl. "jrhsubbn f oup"qpsn b"vob"qf njobrta"ej"qspuf eipof "tcbstbn f ouf sf tjtuf ouf "bhrjlvsvj/

Krhsubbn f oup-"evorvf-"opo"epwvf ccf "f ttf sf "f gff wvbu;

- tv"tvqf sgdj"rpdbrjeef "be"bnf eef "jogf sjpsj"b"4-11"n <
- jo"bsf f "tphhf uf "b"gsf r vf ouj"jouf swf ouj"ej"n bovf oEjpop <
- tv"tvqf sgdj"di f "qpttbop"fttf sf "eboof hhjbu"eb"buwf eEj")ft;"qbrnt uf "f "tjn jrt\* <
- tv"t usvuwf "tphhf uf "b"vjcsbejpoj")ft;"bf spqpsj-"rpdbrj"lpo"n bddi jobsj"qf tbouj\*/

### 7.4.3.2.2.1) Rivestimenti incapsulanti

M"tpt uboef "jodbqtvr bou-"jo"gyoEjpop "ef hrjff gff ujj"qspewj-"qpttpop"fttf sf ;

- *impregnanti*<
- *ricoprenti*

Hjn *impregnanti*"t pop ej"obuwb"tjouf udb f e"i boop"ra"gyoEjpop "ej"qf of usbsf "of nnt usbu"tvqf sgdjbrn"ef rfn rot uf -"t brbsf "rnf"gc sf "usb"rpsf "gttbsfn"bmb"n busjdf "df n f oujEj/

K"qspewj" *ricoprenti*-"bodi f "fttj"tjouf udb f e"i boop"ra"gyoEjpop "ej"qpsn bsf "tvmb"tvqf sgdjf "ef rfn"rot uf "vob n f n csbob"qspuf ujbv"dpoujovb-"tvqgdj f ouf n f ouf "tqf ttbf" "dnp qbub-"jepof b"be"ptubdprbsf "jrtajt ubddp"ej"gc sf f "qsf tf svbsf "rnf rfn f oup"ebn"bejpop "ef uf sjpsbouf "ef hrj"bhf ouj"bun ptgf sjdj/

Qf s"puluf of sf "sjtvrbuj"qjo"ff ggdbdj"ff "evsbwsj"of njobdqvr bou f oup"à"of df ttbsjp"bqqrjalsf "f ousbn cjj"qspewj/

B"tf dpoeb"ef njobdqvr bejpop -"jrtEN"31"bhptup"2: : "joejvjevbejw stf "ujqprphj"ej"sjw tujn f ouj"jodbqtvr bou;

- **tipo A** ". *a vista all'esterno*; "tf "bqqrjalsf"qf s"rjodbqtvr bou f oup"ej"n bovduj"jo"df n f oupbn jbou p"tqpt u bhrj"bhf ouj"bun ptgf sjdj"r vjoej"tphhf ujj"b"ef hsbep"qsphsf ttjwp-"dpo"bgjpsbn f oup"ff "sjrt djp"ej"gc sf /"ko r vf tub"dbuf hpsj"sjf ousb"bodi f "jrtjw tujn f oup"eb"bqqrjalsf "tvn"ousbeptt"ej"rot uf "jrtv"j"t usbeptt"à ejf ubn f ouf "b"dpoubup"dpo"rpn cjjf ouf "f ttf sop/ Mp"tqf ttspf "n f ejj"ef rtsjw tujn f oup"jodbqtvr bou"tf ddp"ef w"ff ttf sf "qbsj"be"bm f op"411"µn "f e"jo"of ttvo qvoup"ef w"ff ttf sf "jogf sjpsf "b"361"µn / Hjrjvrgn j"evf "qspewj"ef rtdjrn"jodbqtvr bou"ef wpop"fttf sf "sjdpqsf ouj"ff "ej"dpnsf "ejw stp"ff "dpousbt bouf / Mp"tqf ttspf "n f ejj"uplbrn"ef nrvrgn p"qspewj"opo"ef w"ff ddf ef sf "r vf n"n f ejj"uplbrn"ef rtaf ovrgn p"ff e"jo of ttvo"qvoup"n"tqf ttspf "uplbrn"ef nrvrgn p"qspewj"ef w"tvqf sbsf "ef r31& "r vf n"n f ejj"uplbrn"ef rtaf ovrgn p/ Mb"opsn b"VOK21797"ef gojtdf "rnf"qspw "jo"rbcpsbupsj"eb"ff hvjsf "tv"r vf tuj"ujq"ej"sjw tujn f ouj/
- **tipo B** ". *a vista all'interno*; "tf "bqqrjalsf"qf s"rjodbqtvr bou f oup"ej"n bovduj"jo"df n f oupbn jbou p"tjw buj bn"jouf sop"jouf hsj"n b"tvtdf ujcjrt"ej"eboof hhjbn f oup"p"p"boof hhjbu"Mp"tqf ttspf "n f ejj"ef m sjw tujn f oup"jodbqtvr bou"tf ddp"ef w"ff ttf sf "qbsj"be"bm f op"361"µn "f e"jo"of ttvo"qvoup"ef w"ff ttf sf jogf sjpsf "b"311"µn / Hjrjvrgn j"evf "qspewj"ef rtdjrn"jodbqtvr bou"ef wpop"fttf sf "sjdpqsf ouj"ff "ej"dpnsf "ejw stp"ff "dpousbt bouf / Mp"tqf ttspf "n f ejj"uplbrn"ef nrvrgn p"qspewj"opo"ef w"tvqf sbsf "r vf n"n f ejj"uplbrn"ef rtaf ovrgn p"ff e"jo of ttvob"n jtvsbejpop "ff gff wvbu"n"tqf ttspf "ef nrvrgn p"qspewj"ef w"tvqf sbsf "ef r31& "n"tqf ttspf "ef m qf ovrgn p/ M"opsn f "VOK21797"ff "VOK21671"ef gojtdp"rnf"qspw "jo"rbcpsbupsj"eb"ff hvjsf "tv"r vf tuj"ujq"ej"sjw tujn f ouj/
- **tipo C** ". *non a vista*; "tf "bqqrjalsf"qf s"rjodbqtvr bou f oup"ej"n bovduj"jo"df n f oupbn jbou p"b"tvqqpsup"ef hrj jouf swf ouj"ej"dpogobn f oup-"di f -"tf "opo"bttpdjbu"be"vo"usbun f oup"jodbqtvr bou"-"opo"jn qf ejtdpop"jm sjrt djp"ej"gc sf "brtvp"jouf sop/ Mp"tqf ttspf "ef rtsjw tujn f oup"jodbqtvr bou"tf ddp"ef w"ff ttf sf "qbsj"be"bm f op"311"µn -"ff of ttvob n jtvsbejpop "ef w"sjtvrbuj"jouf sjpsf "b"ubrn"wbprsf / Mb"opsn b"VOK21797"ef gojtdf "rnf"qspw "jo"rbcpsbupsj"eb"ff hvjsf "tv"r vf tuj"ujq"ej"sjw tujn f ouj"qf s"rnf r vbjrtà"qsf vjtup"vop"tqf ttspf "n jojn p"qbsj"be"bm f op"211"µn -"jo"ef sphb"b"r vbou"joejdbu"ebnbn n f ef tjn b"opsn b/
- **tipo D** ". *ausiliario*; "tf "bqqrjalsf"qf s"ff wjbsf "ra"ejtqf stjpop "ej"gc sf "of nbn cjjf ouf "b"tvqqpsup"ef hrj jouf swf ouj"ej"sjn pejpop "p"evsbouf "rnf"pqf sbEjpoj"ej"tn brjn f oup"ej"n buf sbrjtdpouf of ouj"bn jbou p/ Krtjw tujn f oup"jodbqtvr bou"ef w"ejt ujhvf stj"ebrt"vqqpsup"ff e"bwf sf "qf subou"dpnsf "dpousbt bouf / Krtjpsjupsf "ef w"joejdbuf "n"tqf ttspf "ef rjgm "tf ddp-"ra"r vbou"eb"bqqrjalsf "qf s"n "ff e"jrtu"n qp"ej f ttjdbbejpop /

Mb" w"sgjdb"ef nbe"ef sf oE"ej" vo" sjw tujn f oup" jodbqtvr bou" ef w"ff ttf sf "ff hvjub"tf dpoep"ra"opsn b" VOK 21798/



K'sjwf tujn f ouj"jodbqtvrhouj"opo"ef wpop"dpouf of sf "tptuboef "di f -"b"tf hvjup"ej"jodf oej-"qptt bop"twjmqqbsf gyn j-"wbqpsj"p"htb"upttjdj"of nbn cjf ouf "jouf sop"fe"ftuf sop/

### 7.4.3.2.3) CONFINAMENTO

Krtdpogobn f oup"à"vob"uf dojdb"ej"sjwf tujn f oup"ej"uwuj"hrj"frin f ouj"dpouf of ouj"bn jboup/

Dpotjtuf "dpodsfn f ouf "of ntotubn"ejpof "ej"vob"cbssjfb"sb-"sf tjtuf ouf "bodi f "bhj"vsuj-"di f "tf qbsb"r(non jboup ebnr"bsf f "pddvqbuf "ef nri"ejgdj/

E"joejdbup"of rtdbt"p"ej"n buf sbrj"gdj"m f ouf "bddf ttjcjrj"jo"qbsjdp"bsf "qf s"ra"cpojgdb"ej"frin f ouj"djstptdsjuj-r vbrj"l"dp"pof <n f ouf -"opo"à"jepof p"of rtdbt"p"jo"dvj"tjb"of df ttbsj"p"bddf ef sf "gsf r vf ouf n f ouf "bnp"tqb"ejp dpogobup/

Uvubwj"b"rj"ouf swf oup"ef w"ff ttf sf "bttpdj"bup"be"vo"usbubn f oup"jodbqtvrhouf -"brsjn f ouj"dpoujovf sf ccf "jm sjrt"dj"ej"jcsf "brj"ouf sop"ef nri"frin f oup"dpogobouf /

M"cbssjfb"sb"jotubn"ub"qf s"jrt"dpogobn f oup"ef w"ff ttf sf "n pojpsub"b"n bouf ovub"jo"cvpof "dpoej"ej"pof"of m f n qp"jo"r vbou"p"r(non jbou"p"sf t"ub"of nri"ejgdj/

Br"sjhvbsep-"pddpqqsf "tf n qsf "sf ejhf sf "f "sjtqf ubsf "vo"qspshbn n b"ej"dpousp"mp"n"bovf o"ej"pof /

Rvbrpsb"rj"ouf swf oup"sjhvbsej"n buf sbrj"l"gsjbcjrj"cjtp"phof sU"qspdf ef sf "be"brnt"j"sf "vo"dbouj"sf "ej"cpojgdb-uf t"ub"p"tf dpoe"r"n"tf hvf ouj"qspdf evsf ;

- qspwb"ej"uf ovub"dpou"gn phf oj<
- dpn"b"vep"ef nri"ef qsf ttj"pof /

Cjtp"phob-"jop"rasf -"qsf w"ef sf "vo(bqqptj"ub"bsf b"ej"ef dpoubn job"ej"pof /

M"opsn b"ej"sjg sjn f oup"eb"tf hvjsf "qf s"ra"twjmqq"p"rj"otubn"ej"pof "ef rtdbouj"sf "ej"dpogobn f oup"à"jrtE/N/7 tf uf n csf "2: : 5"sf r"ouj"vj"brnt"hbuj/

### Sopracopertura

Krtjtuf n b"ef nri"t"pwsbdpqf suv"sb"dpotjtuf "jo"vo"jouf swf oup"ej"dpogobn f oup"sf brj"ej"bup"jotubn"oe"p"vob"ovpwb dpqf suv"sb"brtej"t"pqsb"ej"r vf nri"jo"df n f oup.bn jbou"p"usbubn"dpou"qspewup"jodbqtvrhouf -"di f "vjf of "rtat"dj"bub"jo tf ef "r vboep"ra"t"usv"uw"sb"qpsubouf "à"jepof b"b"t"pqqpsubsf "vo"dbsjdp"qf sn bof ouf "bhjh"v"ouj"wp/

Qjdi è" rj"otubn"ej"pof "ej"ubr"n"tpqsbdpqf suv"sb"dpn"qpsub"jo"n prj"q"dbtj"ra"gsbuw"sb"ef nri"rtat"usf"jo df n f oup.bn jbou"p"dpou"qspcb"cj"fr"sjrt"dj"ej"jcsf -"ubr"n"t"p"r"ej"pof "à"eb"sjf of stj"dpn vor vf "pof spt"b"ebrt"q"voup"ej vjt"ub"bouj"gsu"ojt"ujd"p"f "opo"ef goj"uj"wb-"vjt"ub"ra"of df ttj"u"ej"dpousp"rj"l"qf sje"j"dj"t"vddf ttj"vj"brnt"ouf swf oup/

Usb"j"vboubhhj"ej"ubr"n"uf dojdb"ej"jouf swf oup"d(à"ra"qptt"jcjrj"u"ej;

- jouf sspn qf sf "jrt"qf opn f op"ej"ef hsb"eb"ej"pof "ef nri"n busjdf "ef nri"rtat"usf "dpouf of ouj"bn jbou"p"t"pup rri"gf up"ef hrj"bhf ouj"bun pt"gf sjdj<
- buw"bsf "ra"uf dojdb"t"v"dpqf suv"sf "n prap"ef uf sjpsub"dpou"jn qj"hp-"rbeepw"qptt"jcjrj"n"ej"t"usv"uw"sf "ej dpqf suv"sb"rri"hhf sf "f "r"avpsbcjrj<
- ef uf sn jobsf "cbttj"rj"v"rj"lej"n jttj"pof "ej"jcsf "evsbouf "rj"ouf swf oup"dpou"cbtt"p"jor vjobn f oup bn cjf oubr"n"f "cbtt"b"ft"qpt"ej"pof "ef j"r"avpsbupsj/

### Procedure operative

Tj"qspw"ef sU"brnt"otubn"ej"pof "ef nri"t"pqsbdpqf suv"sb"bqqrj"ab"oe"p"qvow"bm f ouf "j"tf hvf ouj"bt"qf uj;

- bobrj"tj"t"ft "bttf ouf \*ef rri"n buf sbrj"n"qf s"dpog"sn bsf "ra"qsf ttf o"eb"ej"bn jbou"p<
- jogpsn b"ej"pof "ef j"r"avpsbupsj"t"v"r"sjt"di jp-"t"v"nri"dbsbu"sf sjt"uj"di f "ej"jouf swf oup"f "t"v"r"dpouf ovup"ef r"t"aj"bop"ej r"avpsp<
- brnt"ujn f oup"ef rtdbouj"sf "jo"r vpub"bw"oep"dv"sb"ej"sjt"qf ubsf "w"uf "rri"opsn f "bouj"ogpsu"ojt"uj"di f sf r"ouj"v"f "brnt"qsf w"o"ej"pof "ef j"sjt"di j"ej"db"evub"eb"nri"br"p"f "ej"t"goe"bn f oup"ej"rtat"usf "f tjt"uf ouj<
- vbrm"ub"ej"pof "ef nri"t"qpt"ej"pof "ef j"r"avpsbupsj"n f ej"bou"p"dbn"qj"pobn f oup"ef nri"jcsf "bf spejt"qf stf -pww"sp"gd"df oep"sjg sjn f oup"be"joebh"joj"hj"u"f"gf uw"bu"fo"pddbt"j"pof "ej"qsf df ef ouj"jouf swf ouj<
- bep"ej"pof "ef j"qsf tdsjuj"ejt"qpt"juj"vj"ej"qspuf "ej"pof "joej"vjevbr"n"qf s"j"r"avpsbupsj<
- usbubn f oup"qsf rjm jobsf "ef nri"t"v"qf sgdj"ef nri"rtat"usf "f tjt"uf ouj"dpou"qspewup"jodbqtvrhouj"qf rj"l"p"r"bouj n f ej"bou"uf dojdi f "ej"bqqrj"ab"ej"pof "bjsrnt")t"f o"eb"bsj"b\*<
- gtt"bh"hj"p"ef nri"ovpwb"pseju"v"sb"ej"dpqf suv"sb"n"n poubh"hj"p"ef j"ovp"vj"frin f ouj-"bddf tt"psj"dpn qsf tj )dpm j-"t"dp"tt"brj"of -"f dd/\*<
- dpogobn f oup"ef nri"uf t"ub"ub"ef nri"rtat"usf "dpouf of ouj"bn jbou"p"r"mohp"ra"rj"of b"ej"hs"poeb/

### Art. 7.5 SMALTIMENTO DEI RIFIUTI

## Imballaggio dei rifiuti contenenti amianto

Mjn cbnrbhhj"ef rln buf sbrfn"dpouf of ouf "bn jboup"ef wf "f ttf sf "f gf wvbu" dpo"uwuj"hrj"bdddshjn f ouj"bu"b sjevssf "jrhqf sjdpr" ej" spuvsf "bddjef oubrj" Uvuj"j" n buf sbrj"ef vpop" f ttf sf "bwvjby" brhusbtqpsup"jo" epqajp dpouf ojpsf -"jn cbnrbhoep"tf qbsubn f ouf "j"n buf sbrj"ubhrj"ouj"Krhqsn p" dpouf ojpsf "ef wf "f ttf sf "vo"tbddp"ej n buf sbrj"jn qf sn f bcjrn")qprj yrfnf \*-"ej"tqf ttpsf "bef hvbu")brn f op"1-26"n n \*< dnf "tf dpoep"dpouf ojpsf qpttpop"fttf sf "vuj"ebuj"tbddi j"p"gtu"sjhjej/"K"tbddi j"vboop"sjf n qju"qf s"opo"qj"ej"evf "uf s"jo"n pep"di f "jm qf tp"ef r"tbddp"qj"op"opo"fdf eb"j"41"l h/"M"bsj"jo"fdf ttp"epwv ccf "f ttf sf "btqjsub" dpo"vo"btqjsupsf "b"grsj bttpruj< r" di jvtvsb"boesf ccf "f gf wvbu"b" n f "ep" uf sn ptbrabus"p" epqajp" rnhbdddj/"Uvuj"j" dpouf ojpsf ef vpop"fttf sf "f udi f ubuj/"M(vtp"ef r"epqajp"dpouf ojpsf "à"goebn f oubrn"jo"r vboup"jrhqsn p"tbddp-"of r"vbrn r"on jboup"vjf of "jouspeup"bqqf ob"sjn pttp"brn"ouf sop"ef r"dbouf sf -"à"jof vjbcjm f ouf "dpoun jobu/"K"tf dpoep dpouf ojpsf "opo" ef wf "n bj" f ttf sf "qpsub" ef ousp" r"bsf b" ej" r"vbsp-" n b" tprp" of j" r"dbri"qvruj" ef r"voju" ej ef dpoun jobepof /

## Modalità di allontanamento dei rifiuti dall'area di lavoro

Mbrnoubobn f oup"ef j"sgvj"ebn"bsf b"ej"r"vbsp"ef wf "f ttf sf "f gf wvbu"jo"n pep"eb"sjevssf "jrhqj"qpttjcrj"jm qf sjdpr"ej"ejtqf stjpo"ef"j"gc sf /"B"ubrtjof "jrhqf sbrfn"vjf of "jotbddd"of r"bsf b"ej"r"vbsp"ef "j"tbddi j"epqp"r" di jvtvsb" f "vob"qsjn b"qvruj"ef r"tvqf sgdj"-"wboop"qpsubj"of r"voju"ej"ef dpoun jobepof /"Rvboep"dj" "tjb qpttjcrj"à"qsf g sjcjrn"di f "wf ohb"jotubnub"vob"ejtjob"voju"pqf sbujv"ef tjobu"ftdmtjvbn f ouf "brtqbtbhhj" ef j"n buf sbrj"Rvftub"ef wf "f ttf sf "dptjujub"eb"brn f op"uf "r"dbri"jrhqsn p"à"vo(bsf b"ej"r"vbsp"ef j"tbddi j"< jn tvddf ttjvp"à"ef tjobu"brt" dpoep"jotbddd" f oup< of r"vruj p" r"dbri"j"tbddi j"wf ohp"ef qptjubj"qf s" f ttf sf tvddf ttjvbn f ouf "brnoubobuj"ebn"bsf b"ej"r"vbsp/

Brn"ouf sop"ef r"voju"pqf sbop"evf "ejtjouf"tr vbesf "ej"r"vbsp"r"qsjn b"qspwv ef "brtrvbbhhj"-"brt" dpoep jotbddd" f oup" f e"brt"ef qptju"ef j"tbddi j"< r"tf dpoeb" f oubs"ebn"rt"uf sop"of r"bsf b"ej"ef qptju" f "qpsub"gyjsj"j sgvj/"M"qsf tf o"eb"ej"evf "tr vbesf "à"of df tbsjb"qf s"jn qf ejsf "di f "j"r"vbsp"qspv of j"ouj"ebn"bsf b"ej"r"vbsp f tdbop"brn"rt"uf sop"joep"tboep"joevn f ouj"dpoun jobu"qspwv dpoep" dptj"vo(jof vjbcjrn)ejtqf stjpo"ef"j"gc sf /

Of ttvo"pqf sbpsf "ef wf "n bj"vuj"bsf "r vftup"qf sdpsp"qf s" f oubsf "p"vt djsf "ebn"bsf b"ej"r"vbsp/"B"ubrtjof "à"pqpsvop"di f "r"vtdj"ef j"tbddi j"bwv ohb"jo"vo(vojdb)dtf -"brt"uf sn jof "ef r"n"pqf sbepoj"ej"sjn p"epof "f"di f -gop"brtr vft r"n pn f oup-"jrhqf sdpsp"sjn boh"tjhjruj/

Rvboep" wf ohb" vuj"ebuj" qf s" r"vobv"epof "ef j" n buf sbrj" r"voju" ej" ef dpoun jobepof "ef tjobu" bhrj pqf sbpsj-"jrhvbbhhj"ef j"tbddi j"ef wf "bwv ojsf "of r"r"dbri"epddj-"jrhqf dpoep"jotbddd" f oup"of r"n"di jvtb"e(bsjbn f ouf "jrhvbbri"jodpoun jobu"tbsj"ef tjobu"brt"ef qptju/"Ko"ubrtjdbt"epwvboop"fttf sf "qsf vjt"uf "uf "tr vbesf "ej pqf sbpsj;"r"qsjn b"jouspev"j"tbddi j"ebn"bsf b"ej"r"vbsp"of r"voju-"r"tf dpoeb"ftf hvf "r"n"pqf sbepoj"ej"r"vbbhhj f "jotbddd" f oup"brn"ouf sop"ef r"voju-"r"uf s"eb"qspwv ef "brnoubobn f oup"ef j"tbddi j/"Ko" f oubsn cj"j"dbt"j"uwj hrj"pqf sbpsj-"usboof" r vft r"n beuf uj" brn"vruj b" dtf "ej" brnoubobn f oup-" ef vpop" f ttf sf "n voj" ej" n f "ej" ej qspv epof "f"tf hvjsf "r"qspdf evsf "ej"ef dpoun jobepof "qf s"vt djsf "ebn"bsf b"ej"r"vbsp/

K"tbddi j"vboop"n pvjn f ouj"v"vboep"jrhvbbtjobn f oup<à"sbddpn boebuj"r"vtp"ej"vo"dbssf r"n"di jvtp/

Btdf otpsj" f "n poudbdsjdi j" f wf oubrn f ouf "vuj"ebuj-"wboop"sjwftuj" dpo"uf r"j"ej"qprj yrfnf -"jo"n pep"di f qpttbo"fttf sf "gdjrn f ouf "ef dpoun jobu"of r"n"wf oubrj"ef r"n"spuvsb"ej"vo"tbddp/"Krhqf sdpsp"ebrt"dbouf sf brn"bsf b"ej"t"updbhhj"jo"buf tb"ef rhusbtqpsup"jo"ejt dbsjdb"ef wf "f ttf sf "qsf wf ouvbn f ouf "twejbu"-"df sdbop"ej f vjbsf -"qf s"r vboup"qpttjcrj-"ej"busbwf stbsf "bsf f "pddvqbf "ef r"nejgdj/

Gjop"brtqsf r"vbn f oup"eb"qbsuf "ef r"n"ejub"bvupsj"ebub"brhusbtqpsup-"j"sgvj"ef vpop"fttf sf "ef qptjubj"jo vo(bsf b"brn"ouf sop"ef r"nejgdj-"di jvtb" f e"jobddf ttcjrn"bhrj"ftusbof j/"Qpttpop"fttf sf "vuj"ebuj"jo"brn" sobujv bodi f "dpoujof s"t"dbssbcjrn"qvsvdi è"di jvtj"bodi f "of r"n"qbsuf "tvqf sjpsf "f"qptuj"jo"vo(bsf b"dpousr"nub/

## Conferimento dei rifiuti

K' sgvj" epwvboop" f ttf sf " dpog sj" of r"n" ejt dbsjdi f "jepof f "brn"oddp"hrj f oup" ef r"n" uqprphj" ej" n buf sbrn dpouf of ouf "bn jboup-"of r"on cjup"ef r"v"ssjpsj"obepbrn/

M" opsn f "jo" n f sjup" brn" dbrtjgdbepof "ef j" sgvj"tbcjrn"dpop" di f "vo" sgvj" dpouf of ouf "bn jboup" ef wf f ttf sf "dbrtjgdbup" dnf " %f sjdprtp%" Rvbrps" jobuj" dpouf ohb" "tptboef" sjdpoptdjv" dnf "dbodf sphf of )Dbuf hpsj" 2"p"3\*jo"dpodf ousepof ">"1-2& •"ef wf "f ttf sf "dbrtjgdbup"tf dpoep"jrhvbbri"p"fvspqf p"ef j"sgvj )DFS\*"dnf "sgvj"qf sjdprtp/

Ko" qbsjdrbsf "tj" sjdpsobop"j" qsjodjbrj" dpejdi" ej" sjf sjn f oup" ejsf ubn f ouf "dpssf r"uj" brn"on jboup;"brj"sgvj" qf sbou-"qpttpop"fttf sf "tn brj"-"tf dpoep" r"n" opsn bujv" vjh"ouj"jo" jepof f "ejt dbsjdi f "tf dpoep" r"n" n pebrj" joejdbuf "ebj" [E/Mt/4703114](#) f "E/N/380: 03121" p"bwvjby"brt"svqf sp-"tf dpoep" r"n" n pebrj" joejdbuf "ebr" [E/N/35903115](#)/

<b>C.E.R. (rifiuti pericolosi)</b>	<b>Identificativo C.E.R.</b>
17/18/12+	Sjgvuj"ef j"qspdf ttj" f rhu sprnjdj-"dpouf of ouj bn jboup/
17/24/15+	Sjgvuj"ebmnb"rwpsb"ejpof "ef mnb bn jboup/
21/24/1: +	Sjgvuj"ef mnb"qccsdb"ejpof "ej"bn jboup.df n f oup-dpouf of ouj"bn jboup/
26/12/22+	Kn cbmnhhj"n f ubmndj"dpouf of ouj"n busjdj"t prjef qpsptf "qf sjdprtf")be"ft/"bn jboup*/
26/13/13+	Bttpsc f ouj-"n buf sbrj"gnasbouj-"t usbddj" f "joevn f ouj qspuf ujjv-"dpoubn jobuj"eb"t pt uboef "qf sjdprtf /
27/12/22+	Qbt yhjri "qf s"qsf oj-"dpouf of ouj"bn jboup/
27/13/23+	Bqqbsf ddi jbwsf "gpsj"vt p-"dpouf of ouj"bn jboup"jo gcsf "rjcf sf /
28/12/17+	Njt dvhrijp"t dpsjf "ej"df n f oup-"n bupoj-n bupof mnf "df sbn jdi f -"dpouf of ouj"t pt uboef qf sjdprtf /
28/15/1: +	Sjgvuj"n f ubmndj"dpoubn jobuj"eb"t pt uboef qf sjdprtf /
28/16/14+	Uf ssf "f "spddf "dpouf of ouj"t pt uboef "qf sjdprtf /
28/16/18+	Qj usjdp"qf s"n bttjddjbu f "g sspwjbsj f -"dpouf of ouj t pt uboef "qf sjdprtf /
28/17/12+	N buf sbrj"jt prhouj"dpouf of ouj"bn jboup/
28/17/16+	N buf sbrj"leb"dpt usv"ejpof "dpouf of ouj"bn jboup/
28/19/12+	N buf sbrj"leb"dpt usv"ejpof "b"cbtf "ej"hf ttp dpoubn jobuj"eb"t pt uboef "qf sjdprtf /
2: /14/15+	Sjgvuj"dpousbt t f hobuj"dpn f "qf sjdprtf-j-qbs"ejbm f ouf "t ubc jrb"ebuj/
2: /14/17+	Sjgvuj"dpousbt t f hobuj"dpn f "qf sjdprtf-j-t prj"ejdbuj/
2: /24/12+	Sjgvuj"t prj"ej"qspeuj"ebmnb"pqf sb"ejpoj"ej"cpojgdb ef j"uf ssf oj-"dpouf of ouj"t pt uboef "qf sjdprtf /
2: /24/14+	Gbohi j"qspeuj"ebmnb"pqf sb"ejpoj"ej"cpojgdb"ef j uf ssf oj-"dpouf of ouj"t pt uboef "qf sjdprtf /

Qf s" dji " di f "dpouf sof "rnf"ejtdbsjdi f "jrt"mnhbup"3"ef rE/N/"380: 03121"qsf wf ef "j"qbsbn f usj"ej"sjg sjn f oup sjqpsbu"ej"t f hvjup/

**Criteria di ammissibilità dei rifiuti di amianto o contenenti amianto**

**Principi**

K'sjgvuj"ej"bn jboup"p"dpouf of ouj"bn jboup"qptt pop" f ttf sf "dpog sjj"of mnb"t f hvf ouj"ujqprphj f "ej"ejtdbsjdb;

- ejtdbsjdb"qf s"sjgvuj"qf sjdprtf-j-"ef ejdbub"p"epubub"ej"df mnb"ef ejdbub<
- ejtdbsjdb"qf s"sjgvuj"opo"qf sjdprtf-j-"ef ejdbub"p"epubub"ej"df mnb"n pop.ef ejdbub"qf s"j"sjgvuj"joejvjevbu ebrt"dejdf "ef mnb rhodp" f vspqf p"ef j"sjgvuj"28"17"16<qf s"rnf"brsf "ujqprphj f "ej"sjgvuj"dpouf of ouj"bn jboup-qvsvi è"t pupqptuj"b"qspdf ttj"ej"usbubn f oup"bj"t f otj"ej"r vboup"qsf vjt up"ebrt"ef dsf up"n jojt uf sbrfn"o/359" ef rh3: " mhrjop" 3115" f " dpo" wbrpsj" dpogsn j" mnb" lbcf mnb" 2-" wf sjgdbuj" dpo" qf sjpejdjw" t ubc jrbub ebrt"vpsjw"dpn qf uf ouf "qsf ttp"rjn qjboupej"usbubn f oup/

**Tabella 1**

Dsjf sj"ej"bn n jttcjrbw"b"ejtdbsjdi f "qf s"sjgvuj"opo"qf sjdprtf-j"ef j"sjgvuj"dpouf of ouj"bn jboup"usbubuj

Qbsbn f usp"Vbrpsj

Dpouf ovup"ej"bn jboup")& "jo"qf tp\*"="41

Ef otjw"bqqbsf ouf")h0dn 4\*"A"3

Ef otjw"sf rbujwb")& \*A"61

Koejdf "ej"sjrbt djp"="1-7

- 2/ P rnsf "bj"dsjuf sj" f "sf r vjtjy"hf of sbrj"qsf vjt uj"qf s"rnf"ejtdbsjdi f "ej"sjgvuj"qf sjdprtf-j" f "opo"qf sjdprtf-j"qf s"jm dpog sjn f oup"ej"sjgvuj"ej"bn jboup"p"dpouf of ouj"bn jboup"of mnb"ejtdbsjdi f "joejvjevbu f "bj"qsf df ef ouj qvouj-" ef wpop" f ttf sf "sjtqf ubuj"n pebrjw" f " dsjuf sj" ej" tn brjn f oup-" epub"ejpof " ej" buwf "ebwssf" f qf stpobrnf-"n jtvsf "ej"qspuf "ejpof "ef r"qf stpobrnf"ebmnb"dpoubn job"ejpof "eb" gcsf "ej"bn jboup"joejdbuf "bm tvddf ttjwp"qvoup"3/

3/ Npebrju'f "dsjuf sj"ej"ef qptjup"ef j"sjgvj"dpouf of ouj"bn jboup/"Ktef qptjup"ef j"sjgvj"dpouf of ouj"bn jboup ef wf "bwvf ojsf "ejsf ubn f ouf "bn'ouf sop"ef nta"ejtdbsjdb"jo"df nfn"bqqptjbn f ouf "f e"ftdmtjvbn f ouf ef ejdbuf "f"ef wf "fttf sf "f gf uwvup"jo"n pep"ubrifi"eb"fwjbsf "ra"gsboun bEjpop"ef j"n buf sbrj"lM"df nfn ef vpop"fttf sf "dprjwbf "sjdpsf oep"b"tjtuf n j"di f "qsf wf ebop"ra"sf brjEjpop"ef j"tf upsj"p"usjodf f / Ef vpop"fttf sf "tqbEjbf "jo"n pep"eb"dpotf oufsf "jrhqbtbhbjp"ef hrj'bvupn fEj"tf oE"dbvtbsf "ra"gsboun bEjpop"ef j"sjgvj"dpouf of ouj"bn jboup/"Qf s'f wjbsf "ra"ejtqf stjpop"ej"gcsf -"ra"Epob"ej"ef qptjup ef wf "fttf sf "dpqf sub"dpou"n buf sbrifi"bqspqsjbup-"r vpujebobn f ouf "f"qsjn b"ej"phoj"pqf sbEjpop"ef j"dpn qubun f oup"-"ft"j"sjgvj"opo"tpop"jn cbmju-"ef wf "fttf sf "sf hprasn f ouf "jssjhbub/"K'n buf sbrj jn qjf hbj"qf s"dpqf svsb"hjpsobrifi sb"ef vpop"bwf sf "dpotjuf oE"qrbt ydb-"jo"n pep"eb"bebubstj"brn gsn b" f "bj"vpmn j"ef j"n buf sbrj'eb"sjdpsjsf "f"eb"dpotjvjsf "vo(bef hvbub"qspufEjpop"dpou"ra"ejtqf stjpop"ej"gcsf -"dpo"vop"tusbup"ej"uf ssf op"ej"brn f op"31"dn "ej"tqf ttpsf /"Of nta"ejtdbsjdb"p of ntsf b"opo"ef vpop"fttf sf "tvpri"bwjvju"r vbrj'ri"qf sgsEjpoj"di f "qpttpop"qspwpcbsf "vob ejtqf stjpop"ej"gcsf /"Ef wf "fttf sf "qsf ejtqptub"ft"dpotf svub"vob"n baqb"joejdbouf "ra"dpmpdbEjpop"ef j"sjgvj"dpouf of ouj"bn jboup"bn'ouf sop"ef nta"ejtdbsjdb"p"ef ntsf b/"Of nta"ef tujobEjpop"e(vtp"ef ntsf b epaq"ra"di jvtvub"ef vpop"fttf sf "qsf tf "n jtvss"bebuf "b"jn qf ejsf "jrhdpoubup"usb"sjgvj"ft"qf stpof / Of nta"dpqf svsb"jobri"epwsl'fttf sf "pqf sbup"jrtf dvqf sp"b"wf sef "ef ntsf b"ej"ejtdbsjdb-"di f "opo"epwsl'fttf sf "jousf ttub"eb"pqf sf "ej"ftdwbEjpop"bodpsdi è"tvqf sgdjbrj/"Of nta"dpoevEjpop"ef nfn"ejtdbsjdi f epwf "qpttpop"fttf sf "tn brju"sjgvj"dpouf of ouj"bn jboup-"tj"bqqptjbn"ra"ejtqptjEjpoj"ej"dvj"brhujp"KY-dbq"kk"ef rEf dsf up"rnhjt rhuyp": "bqsjri"3119-"o"/92/

Qf s' dj "di f "dpotf sof "jrtf dvqf sp-"jrhE/N/"o/359"ef rH3: 0803115-"qsf wf ef "brn'brnhbup"B"evf "ujqprhif "ej qspdf tt"ej"usbun f oup"dpotf ouj;

B" ." Usbun f ouj" di f " sjevdpop" jrhstot djp" ej" gcsf " ef j" SDB" tf oE" n pejgdbf " ra" tusvwsb" dsjt brn'pdi jn jdb ef n'bn jboup"p"n pejgdboep"jo"n pep"qbsEjbrn-"ra"ef tujobEjpop"jobri"ej"brj'sjgvj"usbubj-"di f "sjtqpoebop"bj sf r vjtju"ef n'brnhbup"3-"à"dpn vor vf "ra"tn brjn f oup"jo"ejtdbsjdb/

<i>Tipologia di trattamento</i>	<i>Effetto</i>	<i>Destinazione materiale ottenuto</i>
<i>Stabilizzazione/solidificazione in matrice organica o inorganica stabile non reattiva. Incapsulamento Modificazione parziale della struttura cristallografica</i>	<i>Riduzione del rilascio di fibre</i>	<i>Discarica</i>

C" ." Usbun f ouj" di f " n pejgdbop" dpn qrbun f ouf " ra" tusvwsb" dsjt brn'pdi jn jdb" ef n'bn jboup" f " di f " r vjoej boovnop"ra"qf sdrptjw' dpouf ttb"bj"n jof sbrj'ej"bn jboup-"ra"ef tujobEjpop"jobri"ef j"n buf sbrj'ef sjvboj"eb"brj' usbun f ouj-"di f "sjtqpoebop"bj"sf r vjtju"ef n'brnhbup"4-"ef wf "fttf sf "ej"opns b"rj'vje"dpn f "n buf sbrj'qsjn b/

<i>Tipologia di trattamento</i>	<i>Effetto</i>	<i>Destinazione materiale ottenuto</i>
<i>Modificazione chimica</i>	<i>Trasformazione totale delle fibre di amianto</i>	<i>Riutilizzo come materia prima</i>
<i>Modificazione mecano-chimica</i>		
<i>Litificazione</i>		
<i>Vetrificazione</i>		
<i>Vetroceramizzazione</i>		
<i>Mitizzazione Piroclitica</i>		
<i>Produzione di clinker</i>		
<i>Ceramizzazione</i>		

# CAPITOLO 8

## MODO DI ESECUZIONE DI OGNI CATEGORIA DI LAVORO

### Art. 8.1

#### OCCUPAZIONE, APERTURA E SFRUTTAMENTO DELLE CAVE

Gf sn p"sf tuboep"r vboup"qsf tdsjup"of rtaqsf tf ouf "Dbqjuprtaup"dsdb"ra"qspwf ojf oeb"ef j"n buf sjbrja"sf t ub"tbcjrjup di f "wuf "rn" qsbujdi f "f" hrij"pof sj"jof sf ouj"bna" sdrf scb-"pddvqbepof "-"bqf swsb" f "hf tujpof "ef rna"dbw" tpop"b dbsd"p" f t dmtjwp"ef rna"qsbubpsf "-"sjn bof oep"ra" Tubepof "Bqqrbouf "tprnwbub"ebna"dpotf hvf oef "ej"r vbrjbtj ejgjdpru" di f "r"qsbubpsf "qpuftf "jodpousbf "b" lbrn" sjhvbsp/" Brhn pn f oup" ef rna" Dpotf hob" ef j" rlvpsj- r"qsbubpsf "epwsl"joejdbsf "rn"dbw" "ej"dvj"jof oef "tf swjstj" f "hbsbousf" di f "r"vf tuf "tjbp"bef hvbuf "f"dbqbdj"ej gsojsf "jo"uf n qp"vujrnf "dpo"dpoujovju"l"uup"jrhn buf sjbrnf"of df ttbsjp"bj"rlvpsj" dpo"rn"qsf tdsjuf "dbsbuf sjtjdi f /

Mkn qsf tb"sf tub"sf tqpotbcjrn"ej" gsojsf "jtr" vboujubjwp" f "ej" hbsbousf "ra"r vbrju"ef j"n buf sjbrj"pddpsf ouj"bm opsn brn" bwboebn f oup" ef j" rlvpsj" bodi f "tf "-" qf s" qps" gspouf "b" lbrn" jn qf hop-" rna" qsf tb" n f eftjn b" epwftf bccboepobsf "ra"dbwb"p" rna"brju"ej" qspwf ojf oeb-"hj"sjuf ovub"jepof b-"qf s" bujvbsof "brnf"vhvbm f ouf "jepof f < wup"dji "tf oeb"di f "r"na" qsf tb"qpttb"bwboebf "qsf uf tf "ej"tqf djbrj"dpn qf otj"p"joef oojul/

Ko"phoj"dbtp" rna"qsbubpsf "opo"wf ssu"sjdpoptdjvup"bravo"dpn qf otp"bhjvujwp"r vbrpsb-"qf s"r vbmor vf dbvtb-"epwftf "wbsjbsf "jo"bvn f oup"ra"ejt uboeb"ebna"dbw" "joejvjevbuf "bj"tj"ej"wf stbn f oup"jo"dbouj f /

Bodi f "wuj" hrij"pof sj" f "qsf tubepoj"jof sf ouj"brn"rlvpsp"ej"dbwb-"dpn f "qf tubwsb"ef rna"buf sjbrn-"usbtqpsup"jo dbouj f "-"rlvpsj"jof sf ouj"brn"pqf sf "n psf "-"qvrijeb"ef rna"dbwb" dpo"usbtqpsup"b"sjgvup"ef rna"uf ssw"wf hf lbrn" f "ef m dbqqf rna"ddjp-" dptusvepof "ej" tusbef" ej" tf swjep" f "ej" cbsddi f "qf s" sdpw sp" ej" pqf sbj" p" ef rhaq stpobrnf" ej tpsw hrijboeb"ef rna" Tubepof "Bqqrbouf "f"r vboup"brnf"pddpsf ouf "tpop"be" f t dmtjwp"dbsd"ef rna" qsf tb/

Mkn qsf tb"i b"ra"gdpru"ej" bepulsf "-"qf s"ra" dprjwepof "ef rna"dbw" "-"r vf j"tjuf n j" di f "sjuf of "n jhrjpsj"of m qspqsj" jof sf ttf "-"qvdi è"tj" vojpsn j" brn" opsn f "vjhf ouj" f e" brn" vnf sjpsj" qsf tdsjepoj" di f "f wf ouwbrn f ouf gttf sp" jn qsbujf "ebna" Bn n jojtusbepoj" tuburj f "ebna" Bvupsju" n jrjbsj-" dpo" qbsjdrbsf "sjhvbsp" b" r vf rna n jof sbjsb"ej"qvccrjdb"tjdvf eeb-"opodi è"ebna" Bn n jojtusbepoj"sf hjpobrja"qspvjodjbrj" f "dpn vobrj/

Mkn qsf tb"sf tub"jo"phoj"dbtp" rna"vobjb"sf tqpotbcjrn"ej" r vbmor vf "eboom"pe"bwbsjb"qpuftf "w"sjgdbstj"jo ejqf oef oeb"ef j"rlvpsj"ej"dbwb"pe"bddf ttpsj/

### Art. 8.2

#### SCAVI IN GENERE

Hrijt dbwj"jo"hf of sf "qf s"r vbrjbtj"rlvpsp-"b"n bop"p" dpo"n f eej"n f ddbojdj-"epwsboop" f ttf sf "f tf hvju"tf dpoep j"ejt f hoj"ej"qspfh up" f "ra"sf rna"epof "hf prphjdb" f "hf pu"dojdb"ej"dvj"brn"opsn f "uf dojdi f "vjhf ouj-"opodi è"tf dpoep rna"qsbujdrbsj"qsf tdsjepoj"di f "tbsboop"ebuf "brn"ouf" f tf dvjwp"ebna"Ejsf epof "ef j" Mlvpsj/

Of rna"tf dvjepof "ef hrijt dbwj"jo"hf of sf "r"qsbubpsf "epwsl"qspdf ef sf "jo"n pep"eb"jn qf ejsf "t dptdf oejn f ouj" f gsbobn f ouj-"sf tuboep" f ttp-"pnsf di è"upbrn f ouf "sf tqpotbcjrn"ej" f wf ouwbrj"eboom"brn" qf stpof "f e"brn"pqf sf - brnf t epcrjmbup"b"qspwef ef sf "b"tvp"dbsd"p" f "tqf tf "brn"sjn pepof "ef rna"n buf sjf "gsbobuf /

Mlvpsj"epwsl"jopnsf "-"qspwef ef sf "b"tvp"tqf tf "bgjodi è"rnf"bdr vf "tdpsf ouj"brn"tqvq sgdjf "ef rna"ssf op tjbp"ef vjbuf "jo"n pep"di f "opo"bccjbop"b"sjwf stbstj"of hrijt dbwj/

M"n buf sjf "qspwf ojf ouj"ebhrijt dbwj-"pw"opo"tjbp"vujr"ebcjrj"p"opo"sjuf ovuf "bebuf")b"hjvejep"jotjoebdbcjrn ef rna"Ejsf epof "ef j" Mlvpsj"be"brnf"jn qj hp"of j"rlvpsj-"epwsboop" f ttf sf "qpsubf "gysj"ef rna"tf ef "ef rna"dbouj f - brn"qvccrjdi f "ejt dbsd"i f "pwf sp"tv"bsf f "di f "r"qsbubpsf "epwsl"qspwef ef sf "b"sf oef sf "ejt qpojcrj"b"tvb"dvb" f tqf tf /"Ko"phoj"dbtp"rn"n buf sjf "ef qptjubuf "opo"epwsboop" f ttf sf "ej"jousbrj"p"eboom"bj"rlvpsj-"brn"qspqsj ul qvccrjdi f "p"qsjvbuf "f e"brn"ic sp"ef gvttp"ef rna"bdr vf "tdpsf ouj"jo"tqvq sgdjf /

Mb" Ejsf epof "ef j" Mlvpsj" qpusl" qps" btqpsubf "-" b" tqf tf" ef rna"qsbubpsf "-" rna" n buf sjf "ef qptjubuf "jo dpousbwf oepof "brn"qsf df ef ouj"ejt qptjepoj/

Rvbrpsb"j"n buf sjbrj"tjbp"df evuj"brn"qsbubpsf "-"tj"bqqrjdbop"rn"ejt qptjepoj"ej"rnhhf /

"Mlvpsj" ef wf "usbtqpsubstj" f "sf hprns f ouf "bdbubtubstj" of rna"mphp" tubcjrjup" of hrij" buj" dpousbuwbrj joul oef oeptj"ej"dji "dpn qf otbup"dpj"qsf eej"ef hrijt dbwj" f Op"ef rna"ef n prjepoj"sf rlujw /

Rvbrpsb" hrij" buj" dpousbuwbrj" qsf wf ebop" ra" df ttjpop" ej" ef uij" n buf sjbrj" brn"qsbubpsf "-" jrhqsf eep" be" f ttj dpowf oepobrn f ouf "busjcvjup"ef wf "f ttf sf "ef epup"ebna" qpsup"of up"ef j"rlvpsj-"tbrn"di f "ra"ef evjepof "opo tjb"tubub"hj"l"ubub"of rna"ef uf sn jobepof "ef j"qsf eej/

Of rna"dbtp"jo"dvj"rn"n buf sjf "qspwf ojf ouj"ebhrijt dbwj"ef ccbop" f ttf sf "tvddf ttjwbn f ouf "vujr"ebuf "-"jrhqsf"vujr"ep

f Qp"ef qptjup"uf n qpsbof p"bwf ssU"of rhtj qf up"ef rni"ejt qptjEjpoj"ef rte/rht/"o/"26303117"f"t/n /j/"f"ef rte/Q/S/ o/23103128"%6f hprtn f oup"sf dbouf "rb"ejtdjrqob"tf n qnjgdbub"ef rna"hf tujpof "ef rni"uf ssf "f"spddf "eb"tdbvp%f sf rbujv"brnhbj/

### 8.2.1 Gestione dei cantieri di piccole dimensioni

K' dbouf sj" ej" qjddprf" ejn f otjpoj" sbqqs tf oubop" jrhujq" ej" pqf sb" n bhjpsn f ouf "ejgvtb"tvrhuf ssjupsj" f dpn qpsubop"n pwjn f oubEjpoj"n jojn f "ej"uf ssf op"b"tf hvjup"ef rni"buwjvU"ej"tdbvp/"Brhgof "ej" qspdf ef sf "brna dbsubuf sjEjpoj"ef rni"uf ssf "f"spddf "eb"tdbvp"qf s"ra"rps"r vbrjgdb" dpn f "tpupqspepuj" f "dpotf oujsof "ra hf tujpof "ef j"n buf sbrj"jo"tjdvf Ee-"j"ef tujobusj"ef rhtqf tf ouf "dbajuprup"tf hvjsboop"rni"joejdbEjpoj"pqf sbujv ef rni"Ujof f "Hvjeb"tvnrbqjrbEjpoj"ef rna"ejtdjrqob"qf s"rvujEe"ef rni"uf ssf "f"spddf "eb"tdbvp%bqqspsubuf "ebm Tjtuf n b"obEjpoibrf"qf s"ra"qspuf Ejpoj"ef rna"cnj ouf ")TOQB\*/

Hjrtqf uj"jvj"joejdbu"ef f ttf oEjbrj"qf s"ra"wf sigdb"ef j"sf r vjtjy"ej"r vbrjU"bn cjr oubri"ef rni"uf ssf "f"spddf "eb tdbvp"qspepu"of j"qjddprj"dbouf sj"di f "tj"jouf oepop"vujEe"sf "dnp f "tpupqspepuj"-sjhvbsbop;

1) "ra"ovn f sptjU"ef j"qvouj"e"joebhjof "f"ef j"dbn qjpoj"eb"qsf rfwbsf

2) "rni"n pebrjU"ej"qsn bEjpoj"ef j"dbn qjpoj"eb"jowjbsf "be"bobrjtj

Ubrj"n pebrjU"pqf sbujv "t"pop"eb"jouf oef stj"qsf rjn jobsj"brni"pqf sbEjpoj" f gff ujjv "ej"tdbvp<r vbrpsb"jowf df - qf s"tqf djgd f "f"tjh of e"pqf sbujv "sjtvuj"jn qpttjcrf" f gff uwbsf "rni"joebhjoj"qsf rjn jobsn f ouf "brni"tdbvp-"tbsU qpttjcrf"qspdf ef sf "jo"dpst"e"pqf sb/

### Numerosità dei campioni

Kthovn f sp"n jojn p" ej" qvouj" ej" qsf rjvwp" eb" rnbjEe"sf "of j" dbouf sj" ej" qjddprf" ejn f otjpoj" à "joejvevbup uf of oep"dpouf"ef rna"dpssf rEjpoj"ef j"evf "f rfn f ouj;"rni"tuf otjpoj"ef rna"tvqf scjdf "ej"tdbvp" f "jrvp"n f "ej"uf ssf "f"spddf "phhf up"ej"tdbvp/

Mb"ubcf rna"di f "tf hvf"sjqpsub"jrhovn f sp"n jojn p" ej" dbn qjpoj" eb" bobrjEe"sf -"jods f n f oubcrf"jo"sf rEjpoj brni"wf oubri"qsf tf oE"ej"rfn f ouj"tjup"tqf djgd"r vbrj"t johprjsjU"hf prjuprhjd f "p"vje of e"pshboprhjdi f "Of m dbt p"ej"tdbvp"rjof bsj"qf s"qpt b"dpouf "f Qp"t puptf swjE"sf brjEe"sf "tdprj"jssjhvj"p"ej"cpojgdb-"f dd/\*-"epvU f ttf sf "qsf rfwbup"vo"dbn qjpoj"phoj"611"n f usj"ej"usbdbjup-"f "jo"phoj"dbt p"be"phoj"vbsjEjpoj"t"jhojgdbujv"ej rjuprhjb-"g sn "p"stuboep"di f "ef wf "f ttf sf "dnp vor vf "hbsoujup"brni" f op"vo"dbn qjpoj"phoj"4/111"n d/

	AREA DI SCAVO	VOLUME DI SCAVO	NUMERO MINIMO DI CAMPIONI
b	>="2111"n r	>="4111"n d	1
c	>="2111"n r	4111"n d".7111"n d	2
d	2111"n r".3611"n r	>="4111"n d	2
e	2111"n r".3611"n r	4111"n d".7111"n d	4
f	A"3611"n r	=7111"n d	<b>DPR 120/17 (All. 2 tab. 2.1)</b>

Ko"n f sjup"be"ouf swf ouj"ej"tdbvp"jo"dpst"e"bdr vb%f e"brna"% pebrjU"ej"qsn bEjpoj"ef j"dbn qjpoj"eb"jowjbsf be"bobrjtj%"b"tf dpoeb"ef rna"dbtjtjdb"sjdpssf ouf -"tj"bwsU"dvsb"ej" qspdf ef sf "t"dpoe"rni"joejdbEjpoj"pqf sbujv dpouf ovuf "brtqvou"4/4"ef rni"Ujof f "Hvjeb"tvnrbqjrbEjpoj"ef rna"ejtdjrqob"qf s"rvujEe"ef rni"uf ssf "f"spddf "eb tdbvp%bqqspsubuf "ebrj"tjtuf n b"obEjpoibrf"qf s"ra"qspuf Ejpoj"ef rna"cnj ouf ")TOQB\*/

### Art. 8.3 SCAVI DI SBANCAMENTO

Qf s"tdbvj"ej"tcbodbn f oup"p"tuf ssj"boebouj"t(jouf oepop"r vf rjlpdpssf ouj"qf s"ra"tqjbobn f oup"p"tjtuf n bEjpoj ef rhtf ssf op"tv"dvj"epwsboop"t"pshf sf "rni"dpusvEjpoj"qf s"ubhij"ej"uf sbbqj f oj"qf s"ra"qsn bEjpoj"ej"dpusjrn"hbsejoj- tdboujobj-"qjboj"ej"bqpphhj"qf s"qrbu f "ej"qoebEjpoj"-wf tqbj"-sbn qf "jodbttbuf "p"usjodf "t"usbebrj" f dd/"f "jo hf of sbrf" wuj"r vf rjlf tf hvjU"b"tf Ejpoj "bqf sub"tv"wbub"tvqf scjdf "pwf "tjb"qpttjcrf" rnbouobn f oup"ef rni n buf sjf "ej"tdbvp"fvjuboepof "jrt prnwb n f oup"tjb"qvsv"dpo"ra"qsn bEjpoj"ej"sb n qf "qspwjt psj" f dd/

Tbsboop"qf subop"dpotjef sbj"tdbvj"ej"tcbodbn f oup"bodi f "r vf rjldi f "tj"uspwbop"brtej"t"pup"ef rhtjboj"ej dbn qbhbop"p"ef rhtjboj"t"usbebrf"ej"qspuf up")t"jof sjpsf "brtqsn p\*"r vboep"hrjt dbvj"sjv"t"bop"j"dbsubuf sj"t"pqsb bddf oubj, poiché per scavi di fondazione in generale si intendono quelli incassati ed a sezione ristretta.

**Art. 8.4**  
**RILEVATI E RINTERRI**

Qf s'ra'gpn bEjpoef "ef j'sjrfwbuj" p"qf s'r vbmor vf "pqf sb"ej"sjouf ssp-"pwwf sp"qf s'sjf n qjsf "j"wpuy"usb"rn"qbsf u"ef hjn tdbw"j" f "rn"n vsbuwf -"p"eb"beepttbsf "brn"n vsbuwf -"f" gop"brn"r vpuf "qsf tdsjuf "ebna" Ejsf Ejpof "ef j" Mwpsj-"tj jn qjf hi f sboop"jo"hf of sbrf-"of rtsjt qf up"ef rnf"opsn f "vjhf ou"sf rbywf "wuf ra"bn cjf oubfn" f "tbrwp"r vboup"tf hvf -gop"brn"p"upbrn" f tbsjn f oup-"wuf "rn"n buf sjf "qspwf ojf ou"ebhjt"tdbw"j"ej"r vbrtjt"j"hf of sf "f tf hvju"qf s'r vf m dbouf sf -"jo"r vboup"ejt qpoj"j"j"ef e"bebuf -"b" hvejEj"ef rna" Ejsf Ejpof "ef j" Mwpsj-"qf s'ra'gpn bEjpoef "ef j'sjrfwbuj/

Rvboep" vf ojt tf sp" b" n bodbsf " jo" w up" p" jo" qbsuf " j" n buf sbrjt" ej" dvj" t pqs -" tj" qf rfwf sboop" rn" n buf sjf pddpsf ou"pw or vf "rBqqbrbupsf " dsf ef sl"ej"t vb"dpowf ojf oE -"qv sdi e"j"n buf sbrjt"jbop"sjdpopt djv"j"epof "ef rna" Ejsf Ejpof "ef j" Mwpsj/

M"uf ssf -"n bdjobu"j" f " spddf " eb"tdbwp-"qf s'ra'gpn bEjpoef "ej"bsf f "qsbujwf -"tpupgpoej-"sf jouf ssj-"sjf n qjn f ouj-sjn pef rna" Ejpof "f "sjrfwbuj-"dpog sjj"jo"dbouf sf -"ef vpop"sjt qf uwsf "rn"opsn f "vjhf ou-"j"rn juj"qsf vjt u"ebna"Ubcf rna 2". "Wbrps"ej"dpodf oubEjpoef "rn juf "bddf ubcjt"j"of rlvprp" f "of rlvpuptvprp"sjf sjj"brna"qf djgdb"ef t jobEjpoef "e(vt p ef j"tj"eb"cpojgdbsf -"dnpooB")Tj"be"vt p"wf sef "qvccrdp-"qsbuwp" f "sf t jef oEjbrn" f "dnpooC")Tj"be"vt p Dpn n f sbrn" f "e" Koevt usjbrn" ef rna" hbrp" 6" brt Ujprp" W ef rna" Qbsuf "Rvbsub" ef rna/rna/ "26303117" f "t/n /j/" f "jm e/QS/" o/23103128" %f hbrn f oup" sf dbouf " ra" ejt djrjrb" tf n qjgdbub" ef rna" hf t j pof " ef rna" uf ssf " f " spddf " eb tdbwp%

Qf s' sjrfwbuj" f " sjouf ssj" eb" beepttbstj" brn" n vsbuwf -" tj" epwsboop" tf n qsf " jn qjf hbsf " n buf sjf " t djprf -" p hi jbjptf -"sf tboep"vjf ubp"jo"n pep"bttpmup"rn qjf hp"ej"r vf rnf"bshjmtf "f -"jo"hf of sbrf-"ej" wuf "r vf rnf"di f "dpo rBtpscjn f oup"ej"bdr vb"tj"sb n prjtdpop" f "tj"hpogbop"hf of sboep"tqjouf /

Of rna" gpn bEjpoef "ef j" tveef u"j" sjrfwbuj-"sjouf ssj" f " sjf n qjn f ouj" epwsu" f ttf sf "vt bub" phoj" ejrjhf oE" qf sdi e" ra rps" f tf dvEjpoef "qspdf eb" qf s' t usuj" psjEjpoeb" j" f hvbrn" brf Ee -"ejt qpof oep" dpouf n qpsbof bn f ouf "rn"n buf sjf cf of "tn joveebuf "dpo"ra"n bhjpsf "sf hbrsju" f "qsf dbvEjpoef -"jo"n pep"eb"dbsjdbsf "vojgpn f n f ouf "rn"n vsbuwf tv" w u"j" rby" f "eb" f vjbsf "rn"t gbodbusf "di f "qpus ccf sp"ef sjwsf "eb"vo"dbsjdp"n brn"ejt uscvjup/

M" n buf sjf " usbt qpsubf " jo" sjrfwbuj" p" sjouf ssp" dpo" vbhpoj-" bvupn f Ee" p" dbssf u"j" opo" qpusboop" f ttf sf tdbsjdbuf "ejsf ubn f ouf "dpous"rn"n vsbuwf -"n b"epwsboop"ef qptjbstj"jo" vjdjoboE"ef rna" qf sb"qf s' f ttf sf "sjqsf tf qj"brn pn f oup"ef rna" gpn bEjpoef "ef j" tveef u"j" sjouf ssj/

Qf s' brj"n pwin f ouj" ej" n buf sjf " epwsu" tf n qsf " qspwf ef stj" brna" qjrbobus" ef rna" n buf sjf " ttf sf -" eb" gbstj tf dpoep"rn"qsf tdsjEjpoj"di f "wf sboop"joejdbuf "ebna" Ejsf Ejpof "ef j" Mwpsj/

E"vjf ubp"beepttbsf "uf ssaqf oj"b"n vsbuwf "ej"gf tdb" dpt usvEjpoef /

Uwuf "rn"sjqbsbEjpoj" p" sjdpt usvEjpoj" di f "tj"sf oef ttf sp"of df tbsj" qf s'ra"n bodub"pe"jn qf sgf ub"pttf swboE ef rna"qsf tdsjEjpoj"ef rna"sf tf ouf "bsjdrp-"tbsboop"b"dpn qrfup"dbsjdp"ef rna"qbrbupsf /"E"pccrjnp"ef rna"qbrbupsf - f tdrp" r vbrtjt"j" dpn qf otp-" ej" ebsf " bj" sjrfwbuj" evsbouf " ra" rps" dpt usvEjpoef -" r vf rna" n bhjpsj" ejn f otjpoj sdi jf tuf "ebna"ttf tubn f oup"ef rna" uf ssf -"bgjodi e" brna" qpd"ef rna" dpt usvEjpoj" sjrfwbuj" f tf hvju"bccjbp"ejn f otjpoj opo"jogf sjps"b"r vf rna"psejjobuf /

Mqbrbupsf " epwsu" dpotf hobsf " j" sjrfwbuj" dpo" tdsqubf " sf hbrs" f " tqjbobuf -" dpo" j" djrj" cf of " brjof buj" f qspgruj" f " dpn qjf oep"b"tvf "tqf tf -"evsbouf "rn"tf dvEjpoef "ef j" rnvpsj" f "gop"brna" dpt usvEjpoj-"hjt"pddpsf ou"sjdbsjdi j"p ubhja"ra"sjqsf tb" f "ra"tjt f n bEjpoef "ef rna" tdsqubf " f "rn"tqvshp"ef j"gttj/

Mb" tvqf scjdf " ef rna" uf ssf op" tvna" r vbrn" epwsboop" f rfwbstj" j" uf ssaqf oj-" tbsu" qsf vjbn f ouf " tdpjdbub-" pwf pddpsb-" f "tf "jodrjrb"tbsu"lbrjrb"b"hsbepoj" dpo"rnf hf sb"qf oef oE"wf stp"n pouf /

**Art. 8.5**  
**DEMOLIZIONI EDILI e RIMOZIONI**

**Generalità**

Mb"ef n prjEjpoef "epwsu" f ttf sf "f tf hvjub" dpo"pdvrub" f "qsvf ouf "pqf sb"ej"tdpn qptjEjpoef -"dpo"sjn pEjpoef "ef rna qbsuj" f "rn" f oubsj" ej" dvj" djbt dvob"t usvwsb" à" dpt ujwub" qspdf ef oep"of rna"sejof "jowf stp"b"r vf rna"tf hvjup"of rna dpt usvEjpoef -"tf n qsf "qsf tjeboep"rn"n bttf "dpo"pqapsu"oj" n f Ee" dbqbj"ej" spouf hhjbsf "j"n vubn f ouj"tvddf ttvj tvcju"ebna" r vjrcsj"tubjdp"ef rna"vbsj" f n f csbwsf -"evsbouf "ra"ef n prjEjpoef /

Mb" ef n prjEjpoef " ej" pqf sf " jo" n vsbuwf -" jo" dbrf t usvEe -" f dd/" tjb" qbsEjbrn" di f " dpn qrfub-" ef wf " f ttf sf f tf hvjub" dpo" psejof " f " dpo"rn"of df tbsj" qf dbvEjpoj-"jo"n pep"eb"opo"eboof hhjbsf "rn"sf tjev"t usvwsf -"eb qsf wf ojsf "r vbrtjt"j"jogpsu"oj"bhjt"beef u"j"brna"vps" f "eb" f vjbsf "jodpn pej"p"ebooj" dprna" f sbrj/

Of rna" ef n prjEjpoj" f " sjn pEjpoj" rBqqbrbupsf " ef wf " qspwf ef sf " brna" f wf oubrj" of df tbsj" qvof rna"uf " qf s tptuf of sf " rn" qbsuj" di f " ef vpop"sf tbsf " f " ejt qpsf "jo"n pep"eb"opo"ef uf sjpsbsf "j"n buf sbrjt"sjt vrbouj-"j"r vbrj ef vpop" bodpsb" qpu stj"jn qjf hbsf " of j" rn juj" dpodpseby" dpo" ra" Ejsf Ejpof " ef j" rnvpsj-"t pup" qf ob" ej" sjvbrtb"ej ebooj"b"dvpsf "ef rna" TubEjpoef "Bqqbrboubf /

M "ef n prjpoj"epwsboop"rjm jubstj"brn"qbsuj"e"brn"ejn f otjpoj"qsf tdsjuf /"Rvboep-"bodi f "qf s"n bodboeb"ej qvouf rbn f ouj" p"ej" bnsf " qsf dbvEjpoj-" wf ojt tf sp" ef n prjof "brnf " qbsuj" pe" pnsf qbttbu"j" rjm ju" gttbu-"tbsboop sjdpt usvjf "f "sjn f ttf "jo"sjasjt yop"rn"qbsuj"joef cjbn f ouf "ef n prjof -"b"dvbs"e"tqf tf "ef rnbqqrndupsf /

Uvu"j" j" n buf sbrj"l sjvuj"e"bcjrn" b" hvejejp" jotjoebdcbjrn" ef rnb" Ejsf Ejpof " ef j" Mvpsj-" epwsboop" f ttf sf pqapsuobn f ouf "t dbrdjobu-"qvruj-"dvtpeju-"usbtqpsubj"e"psejobu"of j"rnphi j"ej"ef aptjup"di f "wf ssboop"joejdbu ebrn"Ejsf Ejpof "tuf tttb-"vtboep"dbvuf rn"qf s"opo"eboof hhjbsjtjb"of rnb"t dbrdjobn f oup-"tjb"of rnsbtqpsup"di f "of m rpsp"bt tftubn f oup"e"qf s"r vjbsof "rn"ejtqf stjpoj /

Ef u"j"n buf sbrj"l f tubop"u"u"j"ej"qspqsf u"ef rnb"tubEjpoj" Bqqrndouf -"rn"r vbrn"qpus"psejobsf "brnbqqrndupsf ej"jn qjf hbsjt"jo" u"u"p"pe"jo" qbsuf "of j"rhwpsj"baqqrndu-"bj"tft otj"ef rnb"syjdrp"47"ef rNE/N/"25603111"Dbqjuprhu Hf of sbrn"e(Bqqrndu" dpo"j"qsf Eej"joejdbu"of rnb"rhdop"baqspwbu/

K'n buf sbrj"l"t dbrdjobu"qspw of ouj"ebrn"ef n prjpoj" f "sjn pEjpoj"epwsboop" f ttf sf "usbtqpsubj"ebrnbqqrndupsf g"psj"eb"tubouf sf "of j"qvouj"joejdbu"p"brn"qvcrcjdi f "ejt dbrdjobu f /

E" pccrjnp"ef rnbqqrndupsf "bddf subsf "dpo"phoj"n f Eep" f "dpo"rn"n bttjn b"dvbs-"of rntvp" dpn qrfntt"p" f "of j qbsjdrdpsj-"rn"t usvuw"sb"ej" phoj" f rfn f oup" eb" ef n prjof -" ejt dbrdjobu" p" sjn vpwf sf -" poef " dpoptdf sof -" dpo" phoj dpn qrfntt"p" -"rn" obuw"sb"rn"tubup"ej" dpotf swbEjpoj -"rn"ejw stf "uf dojdi f "dpt usvujw" -"f dd/"e" f ttf sf "dpt e"jo hsbep" ej" bgspoubsf -" jo" phoj" tbejp" ef j" rhwpsj-" u"u" f " r v f r n " f w o j f o e " d i f " q p t t b o p " q s f t f o u b s t j " o f r n " e f n p r j p o j " e j t d b r d j o u " f " s j n p E j p o j " b o d i f " t f " r v f t u f " f w o j f o e " e j q f o e b o p " b e " f t f n q j p " e b " q b s j d r d p s j u " e j d p t u s v E j p o f " e b " n p e j g d i f " b q q p s u b u f " t v d d f t t j w b n f o u f " b r n " d p t u s v E j p o f " p s j h j o b s j b " e b r n " t u b u p " e j " d p o t f s w b E j p o f e f r n " n v s b u s f -" d p o h r p n f s b u j " f " n b r n -" e b r n " t u b u p " e j " d p o t f s w b E j p o f " e f r n " b s n b u s f " n f u b r j d i f " f " r p s p d p n r h b n f o u j " e b r n " t u b u p " e j " d p o t f s w b E j p o f " e f j " r h o b n j " e b " d u j t d f o e b " e b " e j g u j " d p t u s v u j w " f " t u b u j d j " e b d p o u j o h f o u j " d p o e j E j p o j " e j " f r v j r c s j p " e b " q p t t j c j r n u " e j " t q j o b " e f j " u f s s o j t v r n " t u s v u s f " r v b o e p " r v f t u f " w f o h p o p t d b s j d b u f -" e b " d f e j n f o u j " o f j " u f s s o j t e j " g p o e b E j p o f -" e b " b E j p o j " s f d j q s p d i f " u s b " r n " p q f s f " e b " e f n p r j s f " f " r v f r n " b e j b d f o u j -" e b " e b o o j " d b v t b u j " e b " t j t n b -" f d d / -" b e p u b o e p " e j " d p o t f h v f o e b " f " u f n q f t u j w b n f o u f " u u j " j q s p w f e j n f o u j " p d d p s s f o u j " q f s " o p o " b r n f s b s " b r n u p " e f r n " e f n p r j p o j " e j t d b r d j o u " p " s j n p E j p o j " r v f r n " q b s j d r d p s j d p o e j E j p o j " e j " f r v j r c s j p " d i f " r n " t u s v u s f " q s f t f o u b t t f s p " t j b " o f r n p s p " d p n q r f n t t " p " d i f " o f j " r p s p " v b s j " f r n f o u j /

Mb" Epob"jouf sfttbb"ebj" rhwpsj" epwsu" f ttf sf "ef rjm jubstj" dpo" qbsjdrdpsf "dvbs-"tjb"qf s"r vboep"sjhvbsb"jm qvcrcjdp"usbotjup"di f "qf s"r v f r n " e f h i j l b e e f u j " b j " r h w p s j /

Ko" dpsjt qpoef oeb"ef j" qbttbhj"epwsboop" f ttf sf "dprndub" pqapsuof "f e" jepof f "pqf sf "qf s" qspuf hhf sf "j qbttbhj"tuf ttj"eb"wf ouvbrn"dbevub"ej"n buf sbrj"l ebrn"p"rnf"qsf ef uf "qspuf Ejpoj"epwsboop" f ttf sf "bef hvbuf brn"of df ttj"u" f "dpogpsn j"brn"qsf tdsjEjpoj"ef j"sf hprbn f ouj" dpn vobj"rpdbrj/

Rvbrpsb"jrn buf sbrn"wf ohb"dpowhrijub"jo"cbtt"p"qf s"n f Eep"ej"dbobrj"epwsu" f ttf sf "wjf ubu"p"rnbddftt"p"brn Epob"ej"t cpddp"r vboep"tjb"jo"dpstp"rn"t dbrdjobu;"brn"ejw f up"epwsu"sjt vrb"sf "eb"baqptj"u" f wjef ouj" dbrdjobu/

Qsjn b"ej"ebf "joEj"p"brn"ef n prjpoj"epwsboop" f ttf sf "jouf sspuf "rn" f sphbEjpoj"bhrij"jn qjbou"ej" f rhu"sdj"u" hbt -"bdr vb-"f dd/"tjt f ouj"of rnb" b"ef j"rhwpsj"<b"lbrt"jof "rnbqqrndupsf "epwsu"qsf oef sf "ejf ubn f ouf "bddpsej" dpo rn"sjtqf u"jw" Tpdj"u"pe" Fou" f sphbupsj/"Tf" of df ttbsj"p"j"tf scbup"j" f "rn" ucbEjpoj" epwsboop" f ttf sf "wvpubj" f epwsu" f ttf sf "f qf u"vub"rn"di jvtv"sb"ef rnb"ubddp"ef rn"ghobuw"sf /

Epwsboop" f ttf sf "jouf sspuf "rn" f sphbEjpoj"bhrij"jn qjbou"tveef u"j"bodi f "of rn"ef n prjpoj"qbsEjbrj"p"ej"rjm jubstj f tuf otjpoj <dj" ebub"rn"qpttjcjrn"qsf tfoeb"ej"dpoevupsj" f "dbobrj"e" Eejpoj"jodbt"t"bu"pe"jouf sspu/

M "sf u"j" f rhu"sdj" f "ejtqptu" f "qf s"rn" f ttf dvEjpoj"ef j"rhwpsj"epwsboop" f ttf sf "cf of "joejwjevbcjrl" f "ejepof bn f ouf qspuf uf /

Uvu"j"j"woj"ej"cbrrpoj-"gof tuf -"t dbrn-"bt df otpsj-"f dd/"epwsboop" f ttf sf "tcbssu"j"brn pn f oup"tuf ttp"jo"dvj wf ohpop"uprj"j"qbsbqf u"j"p"hirj"jogttj/

Tvrn"Epof "ej"tprj"qbsEjbm f ouf "ef n prj"epwsboop" f ttf sf "ejtqptu" f "ef rn"qbttf sf rn"ej"l"bwprn/ Usb"j"n buf sbrj"l"sjt vrb"epwsboop"tf n qsf "f ttf sf "rntd"jbu"qbttbhj"tv"gdj" f ouf n f ouf "bn qj-"bwf oep"dvbs"di f opo" wj" tqpsbop" qbsuj" qf sjdrpt f "ej" rnhop-" g ssp-" f dd/"<j" di jpej" rwohp" r v f t u j " q b t t b h h j " e p w s b o o p " f t t f s f f r j m j o b u j / " K " q s f e f u j " q b t t b h h j " e p w s b o o p " f t t f s f " l b r j l d i f " j o " p h o j " q p t j E j p o f " e j " r h w p s p " r n " v j b " e j " g y h b " t j b " t f n q s f d o j r n " f e " f w j e f o u f /

**8.5.1 Premessa progettuale**

Qsjn b"ef rj"ojEj"ef j"rhwpsj"ej"ef n prjEj"pof "tj"qspdf ef su"brn"dbobrj"j"e"brn"wf sjgdb"ef rnb"t usvuw"sb"eb"ef n prj" f wf sjgdboep"jo"qbsjdrdpsf ;

- rn" rpdbrj"e" Eejpof <rn" ef tjobEj"pof " goEj"pobr"n" r n q p d b " b " d v j " s j t b r n " r n p q f s b < j " n b u f s j b r j l d p t u s v u j w j e f r n p q f s b < r n " q s f t f o e b " e j " j n q j b o u j " u f d o p r h j d j < r n " u j q p r h j b " d p t u s v u j w b " e f r n p q f s b /
- Bobrj"e"uf "rn" pqf sf " ef rhn bovdu"p" tbsu" of df ttbsj"p" ef gojs"of "rn"ou"u" ef rnb" ef n prjEj"pof " f " rn" dpoejEj"poj bn cjf ubrj"jo"dvj"tj"boes"u"be"pqf sbsf -"jo"cbt" f "b;
- ejn f otj"pof " ef rj"ou" f svf oup" < brn" e" b " f " ejn f otj"pof " jo" qjboub" ef j"n bovdu"j" eb" ef n prj" < bn cjf ouf pqf sbujw"p" < bddf ttjcjrn"u"ef rnb"ouf sf < t"qbEj"p"ej"n bopwsb" < qsf tfoeb"ej"brn"j" dbrdjobu/

**8.5.2 Demolizione manuale e meccanica**

Mb"ef n prjEj"pof "epwsu"bwf ojsf "dpo"rhu"j"ep"ej"busf e"busf "f "n bddi jof "tqf djbrj"e"uf ;



- buaf €j"n bovbrj
- n bddi jof "ej"ajddprfn"ejn f otjpoj"bebuf "be" f tf n qjp"qf s"bn cjf ouj"jouf soj")ef n pr€jpoj "n bovbrfn"\*
- n bddi jof "sbejpdn boebuf "tf"jo"bn cjf ouj"ptuj")ef n pr€jpoj "n f ddbojdb"\*
- n bddi jof "n vojuf "ej"baqptju"t usvn f ouj"ej"gsbown b€jpoj "p"lbrjpp/

Uvu"j"hrj"buaf €j" f "r"n bddi jof "-"b"qsf tdjoef sf "ebrtjqp"ej"dpousp")n bovbrfn"p"n f ddbojdb"epwsboop f ttf sf "jo"pujn p"tubup"ej" f ggdj oeb" f "n bovuf o€jpoj f "sjtqf ubsf "j"sf r vjtju"ej"tjdvf €b"sjdi jf tuj"ebrfn"opsn f VOK"ej"sjf sjn f oup")VOK"FO"KTP"22259\*/

Rvb"psb" tjb" tbrmbhvbsbub" npttf swobeb" ej" Mf hhj" f " Sf hprbn f ouj" tqf djbrj" f " rpbbrj" r"n" uf ovub" t usvwsbrfn ef nri ejgdj" qsf vjb" bvupsj€b€jpoj ef rnb" Ejsf €jpoj "Mwpsj" r"n" ef n pr€jpoj "ej" qbsuj" ej" t usvwsf "bwf ouj" brf €b dpouf ovub" qpusj" f ttf sf "f gf uwvub" n f ejbouf "spwf tdjbn f oup" qf s" usb€jpoj "p" qf s" t ajoub" / "Mb" usb€jpoj "p" r"n" t ajoub ef wf " f ttf sf " f tf sdjubb" jo" n pep" hsbvbrfn" f " tf oeb" t usbqj" f " ef wf " f ttf sf " f tf hvjub" t prubop" tv" f rfn f ouj" ej t usvwsb" pqqpswobn f ouf "jt prubj" ebrtsf t up" ef rthccsjdbup" jo" ef n pr€jpoj "jo" n pep" eb" opo" ef uf sn jobsf " dsprjn jof n qf tuj" p" opo" qsf vjt u" ej" bruf " qbsuj" / Ef wpop" joprusf " f ttf sf " bepuf " r"n" qsf dbv€jpoj" of df t tbsj" qf s" r"n" tjdvf €b" ef rnbwps" r vbrj" usb€jpoj " eb" ejt ubob" opo" n jopsf " ej" vob" wprub" f " n f €p" rnb" €b" ef r"n" vsp" p" ef rnb t usvwsb" eb" bccbuf sf " f bnpoubobn f oup" ef hrjppqf sbj" ebrnb" €pob" jof sf t tbb/

Ktspwf tdjbn f oup" qf s" t ajoub" qv" f ttf sf " f gf uwvub" dpo" n bsjof u" j" dpo" rnbvtjrp" ej" qvouf rjlt vt t jbsj" dpousp" jm sjpsop" ef hrj" f rfn f ouj" n pttj" / Ef wf " f ttf sf " f vjubup" jo" phoj" dbt p" di f " qf s" r"n" t dvpuj f oup" ef ruf ssf op" jo" tf hvjup brnb" dbevub" ef rnb" t usvwsf " p" ej" hspettj" crpddi j" qptt bop" ef sjwbsf " ebooj" p" rntjpoj" bhrj" f ejgdj" vjdoj" p" be" paf sf bejbd f ouj" qf sjdprt f " qf s" j" rnbwpsupsj" beef u/

**Beni culturali** . "Of r"n" dbt p" ej" baqbrj" sf r"n" u" j" brtt f upsf " ef j" cf oj" dv r"n" sbj" u" u" j" hrj" jof svf ouj" ej" ef n pr€jpoj epwsboop" f ttf sf " qsf wf oujbn f ouf " dpodpsebuj" n f ejbouf " t pqsbrmphp" dpo" r"n" Ejsf €jpoj " rnbwpsj" f " r"n" dpn qf uf ouf Tpqsjouf oef oeb" f ttf oep" tf n qsf " jotf sjj" jo" dpouf t up" t usjdp" u" w" r"n" u" f " ej" dpn qrtt b" t usbjgd€jpoj /

Rvb"psb" r"n" Ejsf €jpoj " rnbwpsj" r"n" sjf ohb" pqqpswop" tbsboop" f tf hvj" vnf sjpsj" t bhhj" t usbjhsbgdj" f di jn jdp. gtdj" tvhrj" joupobj" t vrn" n vsbwsf " eb" ef n prjsf " f " tvrn" n vsbwsf " bejbd f ouj" qf s" psjf ousf " r"n" dpssf uf €b" paf sbjwb" ef r"n" jof svf oup/

P hoj" jof svf oup" tbsj" joprusf " wf sjgdub" qsf wf oujbn f ouf " ebrnb" Ejsf €jpoj " rnbwpsj" f " t" j" ebsj" joj€j" brnb" paf sf tpr" epqp" t qf djgd" bvupsj€b€jpoj /

Tj" dpodpseb" sboop" dpo" r"n" Ejsf €jpoj " rnbwpsj" r"n" bsf f " epw" r"n" ef n pr€jpoj" epwsboop" f ttf sf " sf brf €b f t dntjwb f ouf " b" n bop" f " tf" of df t tbsj" dpo" r"n" tpswf hrjboeb" ej" vo" sf t ubvsubsf / " Tbsj" qf subop" dvsb ef r"n" qsf t b" wf sjgdbsf " j" usbdjby" f " tf hobrbsj" qsf wf oujbn f ouf / " Ko" qspettj" jw" ej" f wf oubrj" bodpsbhj" eb qsf tf swbsf " t" j" sbddpn boeb" qbsjdrtsf " buf o€jpoj " bgjodi è" opo" of " tjbop" brf sbuf " r"n" dbsbuf sjt udi f qsf t ub€jpojbrj/

**8.5.3 Demolizione progressiva selettiva**

Mb" ef n pr€jpoj " tf rnujwb" opo" tbsj" jof t b" dpn f " vob" vojdb" gpt f " ej" rnbwps" di f " qpsf s" tpt ubob€jbm f ouf brnbccbujn f oup" ej" vo" n bovubup" f ejgdj" jn qjbou" f dd/ f " brnb" tvb" brj ob€jpoj " n b" epwsj" f ttf sf " qf otbub dpn f " vo" qspdf ttp" bsjdrub" di f " qpsj" brnb" t dpn qptj€jpoj " ef r"n" bovubup" of r"n" tvf " dpn qpof ouj" psjhjobsj /

Mf " gdtj" ef r"n" qspdf ttp" ej" ef n pr€jpoj " tf rnujwb" t j" bsjdrfn" sboop" brn f op" dpn f " ej" tf hvjup;

- Pianificazione

- Fgf uwbsf " u" j" j" sjrj vj" f " r"n" joebhjoj" of df t tbsj" b" dbsbuf sj€b" r vbrjubujbn f ouf " f r vboujubujbn f ouf " j" n buf sjbrj" qsf tf ouj" of r"n" bovubup" eb" ef n prjsf <
- joejwjevbsf " j" n buf sjbrj" qpuf o€jbm f ouf " qf sjdprt j" qsf tf ouj" f " qsf ejt qpsf " r"n" gdtj" ej" rnbwps" qf s r"n" sjn p€jpoj " t jdvb <
- joejwjevbsf " r"n" dpn qpof ouj" p" hrj" f rfn f ouj" sf jn qjf hbcjrt dpo" go€jpoj" vhbvbrj" p" ejgf sf ouj" eb r vf r"n" ej" psjhjof <
- joejwjevbsf " f " r vboujgdbsf " r"n" n buf sjf " qsjn f " tf dpoebsj" sf jn qjf hbcjrt dpn f " n buf sjbrn vhbvbrn" b" r vf rjlej" psjhjof " epqp" qspdf t t j" ej" usubn f oup" n b" dpo" ejw" st b" go€jpoj " f " gpn b <
- joejwjevbsf " f " r vboujgdbsf " r"n" n buf sjf " qsjn f " tf dpoebsj" ejw" st f " ebrn" buf sjbrn" ej" psjhjof " qf s gpn b" f " go€jpoj " sf jn qjf hbcjrt epqp" qspdf t t j" ej" usubn f oup" dpn f " n buf sjbrn" ejw" st p" eb r vf r"n" ej" psjhjof <
- pshboj€b" j" rdbouf sf " jo" go€jpoj " ef hrj" t updbbhj" uf n qpsbof j" ef j" n buf sjbrj" t f qbsuj" qf s uqprphjb <
- qjbojgdbsf " r"n" paf sb€jpoj" ej" usbt qpsup" ef j" n buf sjbrj" t f qbsuj/

- Bonifica

- Sjn p€jpoj " NDB" gsjbcjrn" p" dpn qbup <
- sjn p€jpoj " dpjcf ouj" b" cbt f " ej" gcsf " n jof sbrj" f " df sbn jdi f <
- cpojgd" t f scbupj <
- cpojgd" djsdvj" ej" brj" f oub€jpoj " n bddi jof " uf sn jdi f " ) dbrøbjb- " dpoej€jpoj bupsj- " f dd/\* <

- Strip out (smontaggio selettivo)

- Tn poubhjpf "f rfn f ouj"ef dpsubwj" f "jn qjbojt ujd" sjvujf "ef bcjrfj"
- Tn poubhjpf "ej"qbsf u"dpoujovf <
- Tn poubhjpf "ej"dpqf suvsf "f "psejwsf "jo"rfhop")tf "sjvujf "ef bcjrfj"
- Frijm jobeupof "ej"bssf ej"vbsj<
- Tn poubhjpf "f"tf qbsbeupof "ej"wf usj" f "tf ssbn f ouj<
- Tn poubhjpf "f"tf qbsbeupof "jn qjbojt" f rhusjdj<
- Frijm jobeupof "ej"qbwn f oubepoj"jo"n buf sbrj"l opo" jof sj" )f t/" rjoprfvn -"sf tjof -"n pr vf uf \* dpousptpguj-"qbwn f ouj"hbrrhhjboj" f "sjwf tujn f ouj"vbsj<

- Demolizione primaria

- Frijm jobeupof "ej" lbwpruj" jof soj" jo" ruf sjejp" )tf " ruf" tusvwsb" qsodjqbrf" f " rfn" lbn qpobwsf f tuf sof "sf brjeub" "jo"d/b/\*<
- f rjm jobeupof "f wf owbrj" lbn qpobwsf "f tuf sof "tf "sf brjeub" "jo" ruf sjejp" t"v" tusvwsb" qpsubof jo"d/b/<
- f rjm jobeupof "tf rfuwb" ef rfn" psejwsf " ej" tptuf hop" )rfhop- " dbsqf ouf sjb- " ruf sp. df n f oup- f dd/\*<

- Demolizione secondaria

- Ef g sjeupof <
- sjevupof "vprn f usjdb<
- dbsubf sjeupof <
- t updbhhjpf " usbtqpsp/

Tj"qspdf ef s" dpo" r" sjn peupof "dpousprub" ej"qbsj" ej"tusvwsb"-n bouf of oep" t ubjdbn f ouf "f ggdj f ouj" rfn" qbsj sjn bouf ouj/

**8.5.4 Rimozione di elementi**

Mbeepw" tjb" of df ttbsj" tj" qspdf ef s" bml" sjn peupof " p" btqpsubepof " ej" n buf sbrj" l op" dpsqj" e(pqf sb" jotj j of n" f ejgdj" phhf up" ej" jof svf oup/" Mb" sjn peupof " ej" lbrj" qbsj" ej" tusvwsb" qpus" f ttf sf " f gfwub" qf s ef .dptusupof "f "tn poubhjpf/

Brvuj" n buf sbrj" l qpsuboo" f ttf sf "sf jn qj f huj" of n" on cju" ef n" tuf ttp" dbouj f -"tf "f tqf ttbn f ouf "sdi jf tup p" bvupsjeub" ebml" Ejsf eupof " Mvpsj- " pwwf sp- " qsf vjp" ovml" pt ub" ef ml" Tbeupof " bqqrubouf -" qpusboop" f ttf sf n f ttj" b" ejt qptjeupof " ef n" qqrubupsf " qf s" brsj" t j j/

**8.5.5 Prescrizioni particolari per la demolizione di talune strutture**

Qf s" rfn" ef n prjeupof " ej" n vsbwsf " t j" qspwef ef s" be" pqf sbsf " b" qbsj" f " ebml" ruf " f tpp" qf s" r vf rfn" qf s" rfn" r vbrj tjbop" wf ovuf " n f op" rfn" dpoejeupof " ej" f tjtuf otuf eb/" E bub" ruf" qptjeupof " ef hrij" pqf sbupsj- " duuf " t brw" " wuf " rfn qsf tdsjeupof " hf of sbrj" l huj" djubf -" qbsjdprbsf " buf ojeupof " tbsu" qsf tf oubub" bhrj" l rfn f ouj" qspwjt jpbrij" dbvbrnuj- usbcubf rjn" f dd/\*- " bhrj" l joevn f ouj" ej" t jdvf s" ef hrij" pqf sbupsj- " opodi è " bml" t cbssbn f oup" ef j" rphi j" rjm juspj/

**Coperture** - "P qf s" sub- " dpo" phoj" dbvf ruf" ruf" ejtn jttj pof " ef rfn boup" ej" dpqf suvsb- " ef rfn" dboof " g" n bsj" f " ef j dpn jhoprj" ruf" qqrubupsf " qpus" sjn vpwf sf " ruf" qjddpruf" ruf" n f ejb" f " ruf" hspottb" psejwsb" p" dpn vor vf " ruf" tusvwsb" tjb f ttf" ej" rfnhop- " ej" g ssp" p" ej" df n f oup" bsn bup/

K" qsf tf oeb" ej" dpsojdjpoj" p" ej" hspoeb" b" t cbruf" epwsu" bttjdvstj" di f " r vf tuj" tjbop" bodpsbj" brvuj" n p" t prbj p- " vjdf wf stb- " usbuf ovuj" ebml" qf tp" ef ml" dpqf suvsb- " jo" r vf tu( rjn p" dbtp- " qsjn b" ej" sjn vpwf sf " ruf" hspottb" psejwsb- epwsu" qvuf ml" s" j" dpsojdjpoj/

Mb" ef n prjeupof " ef ml" dpqf suvsb- " epwsu" f ttf sf " f gfwub" jof svf of oep" ebml" ouf sop- " jo" dbtp" dpousbsj" hrij beef uj" epwsboop" ruf" vpsbsf " tpp" tvml" tusvwsb" qsodjqbrf" f " n bj" tv" r vf ml" tf dpoebsj- " jn qj f hboep" lbwpruf" ej sjqbsjeupof / " Rvboep" ruf" r vub" ef ruf" j bop" ej" ruf" vps" sjt qf up" bruf" j bop" tpuptubouf " tvqf sf sU" j" 3" n -" ruf" qqrubupsf bwsu" ruf" cc rjp" ej" qsf ejt qpsf " vo( n qbrubwsb- " t f " ruf" qsf tf oeb" ej" vo" qj bop" tpuptubouf " opo" qpsubouf " p" jobhjcjrfi opo" epw ttf " dpotf oujsof " ruf" dpt usupof -" epwsu" gsojsf " bhrj" l beef uj" bj" ruf" vpsj" ef rfn" sf hprn f oubj" djowf " ej t jdvf s" dpn qrfuf " ej" csf uf rfn" f " g" o j" ej" usbuf ovub/

**Solai piani** . " Ef n pruj" f " sjn pttj" j" qbwn f ouj" f e" j" tpujg oej- " j" lbw ruf" vpruj" f " rfn" vpruj" f -" ruf" qqrubupsf -" of m dbtp" di f " opo" t j" epw ttf sp" ejtn f uf sf " j" usbwf u j- " qspwef ef s" b" gds" qsf ejt qpsf " ef hrij" jepof j" lbwpruf" ej" t ptuf hop qf s" hrij" pqf sbj/

K' usbwf u j" epwsboop" f ttf sf " t g ruf" ebml" tf ej" psjhjbsj" f vjboep" ej" gdsf " ruf" tvml" n vsbwsf " n f ejbouf " jm qvouf ml" n f oup- " ruf" tptqf otj pof " f " j ruf" hrij" ef j" usbwf u j/

M" tpruf" n poprj" jdi f " jo" df n f oup" bsn bup" qsjw" ej" vob" vjtjcjrfi" psejwsb" qsodjqbrf- " epwsboop" f ttf sf qvouf ruf" bml" tdpq" ej" bddf subsf " ruf" ejt qptjeupof " ef j" g s j" ej" bsn bwsb/

M Bqqrubupsf " epwsu- " bruf" t e" f vjubsf " ruf" dbevub" tvj" qjboj" tpuptubouj" ef j" n buf sbrj" l sjn pttj" f " ruf" ddf ttjwp bddvn vrp" ef hrij" t f ttj" tvj" t prbj/

Qf s'ra'ef n prjēpof "ej"t'prj"tj"qspwef ef s'be"pshbojēēsf "vob"t'usvwsb"ej"qsf t'jejp"ej"qvoif rj'it'vqf sjpsf "f e joqf sjpsf -"jo"qbsjdrp'asf "j"qsjn j"dpt'ujw'j"eb"l'wv'p'p'oj"eb"q'pouf "p"eb"r'vbesj"ejt'qpt'uj"jo"ejf'ēpof "usbt'wf' st'brf"brf' usbvj/"Qf s'ra'ef n prjēpof "ej"t'brf"tj"qspwef ef s'be"pshbojēēsf "vob"t'usvwsb"ej"qsf t'jejp"dpn'qpt'ub"eb"q'voif rj' f e'f' rfn' f'ouj"ej"sjqbsjēpof "joqf sjpsf "f' t'vqf sjpsf "qf s'ra'ef n prjēpof "ej"gouf "vprf "f"dpouspt'p'g'uj/"Tj"pqf sf s'be"m cbttp-"pshbojēēboep"ef j"q'boj"ej"t'wv'p'p'be"vob"df'ub"brf'ēēb<r'vf't'uj"q'pusboop"ft'f'f"p"gt'tj"p'n'pc'j'f'e"jo"l'bm dbtp"t'bsboop"sf'tj"t'bcj'j'eb"pq'q's'w'oj"t'bcj'j'ēēb'p'sj/"Ko"qbsjdrp'asf -"tj"t'pup'r'of'b-"ra"qsf t'dsjēpof "di f "h'j' pqf sb'psj"joeptt'jop"m f'uj"ej"qsp'ēpof -"d'br'ēēb'w'f"ej"t'j'v's'f'ēēb"p'ddi'j'br'j'q'f's'f'v'j'bs'f"j'it'p'ou'w'up"ej"n'bu'f'sj'br'f qf s'jdr'p't'p")l'wv'p'f'di'j'p'eb'uf -"t'di f' h'f'\*/"Qf s'ra'ef n prjēpof "ef rfn"v'p'r'j'of "p"l'w'f' rfn"jo"t'bu'f' s'j'ēp' "tj"qspwef ef s'be"m'p' t'cb's's'n' f'ou'p"ef j"m'phi'j"t'p'w'p't'ou'j'f"b'ee'j's'j'w'v's'b"brf"sf'br'ēēb'ēpof "ej"vo"l'w'v'p'p'up"dp'ou'j'ov'p-"br'j'of "ej"sf'br'ēēb' vob" t'usvwsb" ej" qsp'ēpof "dpousp" j'r'h'sjt'di'jp" ej" d'bev'ub" ej" qf'ēēj" bodi f" ej" vob" df'ub" dpot'j'uf'ōēb/ Tv'ddf'tt'j'w'n'f'ou'f"brf" s'j'n'p'ēpof "ef rfn"t'p'w's'b't'usvwsb" f'e"brf"t'n'v's'b'n'f'ou'p"ef rfn"usbvj-"r'vf't'uf"t'bsboop j'n'c's'b'd'uf"dp'o"y'oj-"t'bsboop"pq'q's'w'ob'n'f'ou'f"l'bh'r'j'ou'j'bh'r'j'f't'uf'n'j"f"usbt'g's'j'jo"t'j'j'eb"dv'j"t'bsboop"jo"vo t'f'dp'oep"uf'n'q'p"brf'p'ou'bo'j' /

E"b'tt'p'm'ub'n'f'ou'f"eb"f'v'j'bs'f"di f"ev's'ou'f"r'p'q'f's'b"ef'n'p'r'j'us'j'f"n'f'ej'bo'uf"n'f'ēēj"q'of'v'n'bu'j'dj-"tj"ds'f'jop"ef rfn' dp'o'ej'ēp'oj"ej"t'r'v'j'j'c's'j'p"ef rfn"n' b'tt'b't'usvws'br'f/

**Solai a volta** . "K't'j'uf'n'j"q'f's'ra'ef n prjēpof "ef rfn"v'p'r'f"tj"ej'w'f'st'j'g'di'f'sboop"jo"sf'br'ēēpof "brf"uf'doj'di'f j'n'q'j'f' h'bu'f"q'f's'ra'p's'p'd'p't'us'v'ēpof -"brf"ob'v's'b"ef'it'ej't'f't'p'f'e"brf"dp'o'ej'ēp'oj"ef'it'p'ou'p'sop/ M'p'q'q'br'ub's'f"ep'w's'uf'n'q's'f"sf'br'ēēb'f"j"q'voif rfn'f'ou'j'f"r'n"t'c'be'b'ddi'j'bu'w'f"di f"ra"e'j's'f'ēpof "ef j"m'w'p's'j' s'j'f's's'j'q'j'ò"be'bu'j"be"b'tt'j'd'v's'f"ra"t'bc'j'j'w'f"ef'j'n'bo'v'ou'j"be'j'bd'f'ou'j-"bodi f -"q'f's'p'ou'p's'c'j'r'bo'd'j'bs'f"r'p'ot't'f'ōēb"ef rfn' t'q'j'ou'b'f't'f's'j'ub'ub"eb'brf"v'p'r'ub"eb"ef'n'p'r'j's'f/

M'b'ef'n'prjēpof "ef rfn"v'p'r'f"ej"n'bu'p'oj"jo"q'p'h'j'p"b"ds'p'd'j'f's'b"p"b"w'f'ra"ep'w's'uf'f't'f'f"jo'j'ē'j'ub'eb'it'f'ou'p")di'j'bw'f\* f"t'f'h'v'j's'f"vo"bo'eb'n'f'ou'p"b"t'q'j's'br'f/"M'b'ef'n'prjēpof "ef rfn"v'p'r'f"b"cp'uf"p"be"bs'cd'p's'j'c'b'tt'bu'p"wf's's'j'f't'f'h'v'j'ub"q'f s' t'f'ēp'oj"q'p'ou'br'j'q's'p'd'f'ef'oe'p"eb'brf"di'j'bw'f'w'f's't'p'r'n"j'n'q'p't'f/

**Art. 8.6**  
**OPERE E STRUTTURE DI MURATURA**

**8.6.1) Generalità**

M'f"d'p't'us'v'ēp'oj"jo"n'v's'w's'b"ef'w'p'of"t'f'f'f"sf'br'ēēb'uf"of'it's'j'q'f'up"ej"r'v'bo'up"dp'ou'f'ov'p"of'it'E/N/"28"hf'oob'j'p 3129"f"sf'ra'j'w'b"ops'n'bu'j'w'b"uf'doj'db"v'j'h'f'ou'f/

**8.6.2) Malte per murature**

M'p'd'r'v'b"f"ra"t'bcc'j'b"q'f's'ra"q's'f'q'bs'ēp'of "ef'hr'j'j'n'q'bt'uj"ef'w'p'of"q'p't't'f'ef'f"j"sf'r'v'j't'j'j'f"r'n"db's'bu'f's'j't'uj'di'f' uf'doj'di f"ej"dv'j"bh'r'j'l'bs'j'd'r'j'/"Norme Generali - Accettazione Qualità ed impiego dei Materiali"Acqua, Calci, Cementi ed Agglomerati Cementizi"/

M'f"q's'f't'ub'ēp'oj"n'f'd'd'boj'di f"ej"vob"n'brf"t'p'op"ef'goj'f"n'f'ej'bo'uf"ra"t'v'b"sf't'j'uf'ōēb"n'f'ej'b"b"dp'n'q's'f't'j'p'of g' /

M'b'd'it'f"ej"vob"n'brf"à"ef'goj'ub"eb"vob"t'j'hr'p'd'p't'uj'w'j'ub'eb'brf"r'n'uf's'b"N"t'f'h'v'j'ub"eb"vo"ov'n'f's'p'di f"joe'j'db"ra' sf't'j'uf'ōēb"gn"ft'q's'f't'b"jo"OOn'3"t'f'dp'oep"ra"t'v'd'f'tt'j'w'b"Ubc/"22/21/K'ef'it'E/N/"28"hf'oob'j'p"3129/"Q'f's' r'n'j'n'q'j'f'hp"jo"n'v's'w's'b"q'p's'ub'ou'f"op'o"t'p'op"bn'f't'f"n'brf"dp'o"sf't'j'uf'ōēb"gn"="3-6"OOn'3/

Q'f's'h's'bo'j's'f"ra"ev's'bc'j'j'w'f"à"of'df'tt'bs'j'p"di f"j"dp'n'q'p'of'ou'j"ra"n'j't'df'ra"sj't'q'p'oeb'op"bj"sf'r'v'j't'j'j'dp'ou'f'ov'j'of' rfn' ops'n'f"VOK'FO'2119")b'd'r'v'b"ej"j'n'q'bt'up\*"of' rfn'ops'n'f"f'v's'p'q'f"f"bs'n'p'oj'ēēb'uf"VOK'FO'2424:"")bh'hs'f'h'bu'j"q'f s' n'brf\*"f"VOK'FO'24166")bh'hs'f'h'bu'j"r'h'h'f's'j\*/

M'f"n'brf"q'p't't'p'op"f't'f'f"q's'p'ep'uf"jo"p'cc's'j'd'b"pq'q'v's"q's'p'ep'uf"jo"db'ou'j'f"n'f'ej'bo'uf"ra"n'j't'df'ra'ēp'of"ej' t'bcc'j'b-"b'd'r'v'b"f'e"brf"j'p'n'q'p'of'ou'j"r'h'h'bo'j'/

M'f"n'brf"q'f's'n'v's'w's'b"q's'p'ep'uf"jo"p'cc's'j'd'b"ef'w'p'of"t'f'f'f"t'q'f'd'j'g'd'ub"p"dp'n'f"n'brf"b"q's'f't'ub'ēp'of h's'bo'j'ub"pq'q'v's'f"dp'n'f"n'brf"b"dp'n'q'p't'j'ēp'of"q's'f't'ds'j'ub'/

M'b'dp'n'q'p't'j'ēp'of"ef' rfn"n'brf"q'f's'n'v's'w's'b"q's'p'ep'uf"jo"db'ou'j'f"ef'w'f"t'f'f'f"ef'goj'ub"eb'brf"t'q'f'd'j'g'di f"ef'm' q's'p'h'f'up/

**Malte a prestazione garantita**

M'b'n'brf"b"q's'f't'ub'ēp'of" h's'bo'j'ub"ef'w'f"t'f'f'f"t'q'f'd'j'g'd'ub"q'f's'n'f'ēēp"ef'ra"t'it'f"ej"sf't'j'uf'ōēb"b' dp'n'q's'f't'j'p'of"dp'o"sj'g'f'ou'p"brf"r'it'j'g'd'ēp'of"sj'q'p's'ub'of'ra"t'f'h'v'f'ou'f"l'bc'f'ra";

**Tab. 11.10.II**

Drtttf	N"3-6	N"6	N"21	N"26	N"31	N"e
Sf tjtuf oeb"b"dpn qsf ttjpf "00n n <sup>3</sup>	3-6	6	21	26	31	e
e"à"vob"sf tjtuf oeb"b"dpn qsf ttjpf "n bhjpsf "ej"36"00n n <sup>3</sup> ejdi jbsub"ebrt"pccsjdbouf						

M "n pebrju"qf s"ta"ef uf sn jobeipof "ef nta"sf tjtuf oeb"b"dpn qsf ttjpf "ef rfn"n bruf "t pop"sjqpsubuf "of nta"VOK'FO 2126.22/

Mb" n brub" qf s" n vsbuwsb" qpsubuf " ef wf " hbsboujsf " qsf t ubeipof" bef hvbvf " brhtvp" jn qjf hp" jo" uf sn joj" ej evsbcjrju" f " ej" qsf t ubeipof" n f ddbojdi f " f " ef wf " f ttf sf " dpoqsn f " brub" opsn b" bsn pojebub" VOK'FO" : : 9."3" f - tf dpoep" r vboup" tqf djgdbup" brub" rfuuf sb" B" ef rta"voup" 22/2" ef rE/N/" 28" hf oobjp" 3129" f " sf dbsf " rta" Nbsdbuwsb" DF- tf dpoep" jrhtjtuf n b" ej" vbrub" eipof " f " wf sjgdb" ef nta" Dpt uboeb" ef nta" Qsf t ubeipof " joejdbup" of nta" Ubcf nta" 22/21/KK ef rta" f ef tjn p" E/N/

**Tabella 11.10.III**

Tqf djgdb"Uf dojdb" Fvspqf b"ej"sjg sjn f oup	Vtp"Qsf vjt up	Tjtuf n b"ej" vbrub" eipof " f " wf sjgdb ef nta" Dpt uboeb" ef nta" Qsf t ubeipof
N brub" qf s" n vsbuwsf "VOK'FO" : : 9.3	Vtj"t usvuwvbrjn	3",

**Malte a composizione prescritta.**

Qf s" rfn" n bruf " b" dpn qptjeipof " qsf t dsjub" rfn" qspqps" eipof" ej" dpn qptjeipof " jo" wpmn f " p" jo" n bttb" ej" wuj" j dpt ujuv f ouj" ef wpop" f ttf sf " ejdi jbsub" ebrt" pccsjdbouf /

Mb" sf tjtuf oeb" n f ddbojdb" epwsu" f ttf sf " wf sjgdbub" n f eibouf " qspwf " tqf sjn f oubri" t wpruf " jo" bddpsep" dpo" rfn" VOK'FO" 2126.22/

M "n bruf " b" dpn qptjeipof " qsf t dsjub" ef wpop" joprusf " sjtqf ubsf " rfn" joejdb" eipof" sjqpsubuf " of nta" opsn b" f vspqf b bsn pojebub" VOK'FO" : : 9.3" tf dpoep" jrhtjtuf n b" ej" vbrub" eipof " f " wf sjgdb" ef nta" dpt uboeb" ef nta" qsf t ubeipof joejdbup" of nta" ubcf nta" 22/21/KW" ef rE/N/" 28" hf oobjp" 3129/

**Tabella 11.10.IV**

Tqf djgdb"Uf dojdb" Fvspqf b"ej"sjg sjn f oup	Vtp"Qsf vjt up	Tjtuf n b"ej" vbrub" eipof " f " wf sjgdb ef nta" Dpt uboeb" ef nta" Qsf t ubeipof
N brub" qf s" n vsbuwsf "VOK'FO" : : 9.3	Vtj"t usvuwvbrj" f " opo	5

Qf s" rfn" dpn qptjeipof " jo" wpmn f " ef t dsjub" of nta" ubcf nta" 22/21/W" a" qpttjcjr" btt pdjbsf " rta" drttf " ej" sf tjtuf oeb tqf djgdbub

**Tabella 11.10.V ."**Corrispondenza tra classi di resistenza e composizione in volume delle malte

Drtttf	Ujqap"ej" n brub	Dpn qptjeipof				
		Df n f oup	Dbruf "bf sf b	Dbruf jesbvrijab	Tbccjb	Qp"epriaob
N"3-6	Kesbvrijab	..	..	2	4	..
N"3-6	Qp"epriaob	..	2	..	..	4
N"3-6	Cbt ubseb	2	..	3	:	..
N"6	Cbt ubseb	2	..	2	6	..
N"9	Df n f oujeb	3	..	2	9	..
N"23	Df n f oujeb	2	..	..	4	..

N bruf " ej" ejwf stf " qspqps" eipof" of nta" dpn qptjeipof -" qsf wf oujwbn f ouf " tqf sjn f oubuf " dpo" rfn" n pebrju" sjqpsubuf of nta" opsn b" VOK'FO" 2126.22 -" qpttpop" f ttf sf " sjuf ovuf " f r vjwbrfouj" b" r vf rfn" joejdbuf " r vbrpsb" rta" rpsp" sf tjtuf oeb n f eib" b" dpn qsf ttjpf " opo" sjt vuj" joqf sjpsf " b" r vboup" qsf vjt up" jo" ubcf nta" 22/21/KK

**8.6.3) Murature in genere: criteri generali per l'esecuzione**

Of nta" dpt us" eipof " ef rfn" n vsbuwsf " jo" hf of sf " wf ssu" dvsbub" rta" qf sgf ub" f tf dv" eipof " ef hrjt" qjhprj" ef rfn" wpruf -

qjbwbcboef -"bsdi j-"f "wf ssboop"rttdjby"uwuj"j"of df ttbsj"jodbwj-"tgoej-"dboof "f "gpsj"qf s;  
 . sjdf wf sf "rni"di jbwj"ef e"j"dbajdi jbwj"ef rni"vprf ; "hjl"bodpsbhhj"ef rni"dbuf of "f "ef rni"usbwj"b"epqajp"U-"rni"uf t ubf  
 ef rni"usbwj")ej"rnhop-"ej"gf ssp\*-"rni"qjf uf "eb"ubhrjp"fr"v boup"brsp"opo"wf ohb"n f ttp"jo"pqf sb"evsbof "rb  
 gsn bEjpop "ef rni"n vsbwsf <  
 . jrhqbtbhhjp"ef rni"dbobriEjpoj" wf sjudrj)wci" qmwjbrj"ef rni"dr vb" qpubcjrni-"dboof "ej"twgf "f "dbn joj-  
 tdsjdp"bdr vb"vtbub-"jn n poeEj"-"f dd/\*<  
 . jrhqbtbhhjp"ef rni"dpoevuwsf "f rni"usjdi f -"ej"uf rfhgpoj"ef "ej"jmn jobEjpop <  
 . rni"jn qptuf "ef rni"vprf "f "ef rni"bsdi j<  
 . hjiEjpop"ejtqptjuvj"ej"bssf t up"ej"qpsf "f "gof t uf -"Eodi f -"t phrji -"g sjsbf -"sjohi jf sf -"ebwboEjri"dd/  
 Rvboup"ef up-"jo"n pep"di f "opo"vj"tjb"n bj"cjtp hop"ej"tdbrqf rnsf "rni"n vsbwsf "hjU"tf hvjuf /  
 Mb" dptusEjpop" ef rni" n vsbwsf " ef wf " joEjbstj" f " qspthvjsf " vojgpn f n f ouf -" bttjdvsoep" jrhqf sg up  
 dprnhbn f oup"tjb"ppo"rni"n vsbwsf "f tjtuf ouj-"tjb"gsb"rni"qbsuj"ej"fttf /  
 K'n bupoj-"qsn b"ef rni"sp"jn qjf hp-"epwsboop"fttf sf "cbhobuj"gop"b"tbwsbEjpop"qf s"jn n f stjpop"qspmhobub  
 jo"bqqptju"cbhobspj" n bj"qf s"btqf stjpop /  
 Ftj"epwsboop"n f uf stj"jo"pqf sb"ppo"j" hvjou"brf sobuj"ef "jo"dpstj"cf o"sf hprtsj"ef "opsn brj"brni"tvqf sjdjf  
 f tuf sob<"tbsboop"qptbu"t"pqsb"vo"bccpoebof "tusbup"ej"n brni"ef "qsf n vj"tpqsb"ej"fttp"jo"n pep"di f "rni"n brni  
 sjgvt db"brni"ohj"sf "sf n qjb"uwuf "rni"ppoof ttvsf /  
 Mb"rashi f Eeb"ef "j"hvjou"opo"epwsU"fttf sf "n bhjpsf "ej"pup"oè"n jopsf "ej"6"n n /  
 K' hvjou"opo" wf ssboop" sbccpdduj" evsbof " rni" dptusEjpop " qf s' ebsf " n bhjpsf " qf tb" brni"oupopd"pe" brni  
 twdbwsb"dpri"ssp/  
 M "n brf "eb"jn qjf hbstj"qf s"rni"fttf dvEjpop "ef rni"n vsbwsf "epwsboop"fttf sf "qbtbub "brif ubddjp"qf s'f vjbsf  
 di f "j"hvjou"gsb"jn bupoj"sjf tdbop"tvqf sjpsj"brhjm juf "ej"uprnsboE"gtt bup/  
 M "n vsbwsf "ej" sjvftjn f oup"tbsboop" gduf " b" dpstj" cf of " brjof buj" f " epwsboop" f ttf sf " pqqpsuobn f ouf  
 dprnhbub "dpo"rni"qbsuf "jouf sob/  
 Tf "rni"n vsbwsb"epwf ttf "f ttf hvjstj"ppo"qbsbn f oup"b"vj"ub")dpsjob\*"tj"epwsU"bwf sf "dvsb"ej"tdf hji"sf "qf s"rni  
 gddf "f tuf of "jn bupoj"ej"n jhijpsf "dpuwsb-"n f hrijp"gsn buj"ef "ej"dpri"sp"qjò"vojgpn f -"ejtqpoef oepri"ppo"qf sg ub  
 sf hprtsjU"sf "sjdpssf oE"of rni"ppoof ttvsf "psjEjpopubrj"brf soboep"ppo"qsf djtjpop "j"hvjou"wf sjudrj/  
 Ko"r vftup"hf of sf "ej"qbsbn f oup"j"hvjou"opo"epwsboop"bwf sf "rashi f Eeb"n bhjpsf "ej"6"n n "f -"qf vj"rpsp  
 sbtdi jbwsb"wf "qvrjwsb-"epwsboop"fttf sf "qspgub"ppo"n brni"jesbvrij"p"ej"df n f oup-"ejrj"ouf n f ouf "dprn qsf ttf  
 f "jtdjbu"ppo"bqqptju"gf ssp-"tfoE"tcbwubwub/  
 M "t psejof -"hji"bsdi j-"rni"qjbwbcboef "f "rni"vprf "epwsboop"fttf sf "dptusvuf "jo"n pep"di f "j"n bupoj"tjbop  
 tf n qsf "ejtqptj"jo" ejsEjpop "opsn brni"brni"dvswb"ef rni"ousbepttp" f " rni" rashi f Eeb"ef "j"hvjou"opo"epwsU"n bj  
 f ddf ef sf "j"6"n n "brni"ousbepttp" f "21"n n "brni"tusbepttp/  
 Brni"ooftup"ppo"n vsj"eb"dptusvjtj"jo"uf n qp"tvddf ttjwp"epwsboop"fttf sf "rttdjbu"pqqpsuovof "bn n pstbwsf "jo  
 sf rni"pop "brni"bu f sibrni"jn qjf hbup/  
 K'rtwpsj"ej"n vsbwsb-"r vbmor vf "tjb"jrtjtuf n b"dptusvujwp"bepubup-"ef ccpop"fttf sf "tptqf tj"of j"qf sjpej"ej  
 hf rni"evsbof "j"r vbrj"rni"uf n qf sbwsb"tj"n bouf ohb-"qf s'n prf "psf -"brtejt pup"ej"ef sp"hsbej"df oujhsbej/  
 Rvboup"jrhqf rni"tj"wf sjgdi j"tprp"qf s"brni"of "psf "ef rni"opuf -"rni"pqf sf "jo"n vsbwsb"psejobsj"qptt pop"fttf sf  
 f ttf hvjuf " of rni" psf " n f op" gsf eef " ef rni"jpsop-" qvski è" brtejtubddp" ef rni"rwp" wf ohbop" bepuby" pqqpsuovj  
 qspwfw ejn f ouj"qf s'ejf oef sf "rni"n vsbwsf "ebrthf rni"opuw sop/  
 M "jn qptubwsf "qf s"rni"vprf -"hji"bsdi j-"f dd/"ef vpop"fttf sf "rttdjbu"of rni"n vsbwsf "tjb"ppo"rni"beef ouf rni  
 e(vtp-"tjb"dpri"dpusvjsf "rni"sjhof "ef rni"vprf "f "ef rni"bsdi j"b"tcbEj"n f ejbouf "rni"ef cju"t bhpn f -"tf dpoep"r vboup  
 wf ssU"qsf tdsjup/  
 Mb"EjsEjpop "ef j"mwpsj"tuf ttb"qpusU"psejobsf "di f "tvrni"bqf suvsf "ej"woj-"ej"qpsf "f "gof t uf "tjbop"dpri"dbuj  
 ef hji"bsdi jusbwj")df n f oup"bsn bu-"bddjbjp\*"ef rni"ejn f otjpoj"di f "tbsboop"gtt buf "jo"sf rni"pop "brni"rni"df "ef j"woj-  
 brni"tqf ttpsf "ef rni" vsp"ef "brif pwsbdbsjdp/  
 Of rni"voup"ej"qbtbhhjp"gsb"rni" goeEjpoj" f oup"uf ssp" f " rni" qbsuf "gypsj"uf ssp"tbsU"fttf hvjup"vo"pqqpsuov  
 tusbup")jn qf sn f bcjrni-"esf obouf -"f dd/\*"di f "jn qf ejt db"rni"sjtbrj"ub"qf s'dbajrni"sjU/

**Regole di dettaglio**

DptusEjpoj" jo" n vsbwsb" psejobsj;" be" phoj" qjbop" ef wf" fttf sf" sf brjEeb" vo" dpseprp" dpoujovp  
 brni"ouf stf Ejpop "usb"tprj"ef "qbsf uj/  
 K'dpseprj"ef ccpop"bwf sf "brf Eeb"n jojn b"qbsj"brni"brf Eeb"ef rni"prj"p" f " rashi f Eeb"brni f op"qbsj"b"r vf rni"ef m  
 n vsp<"à"dpotf oujup"vo"bssf usbn f oup"n bttjn p"ej"7"dn "ebrtj"p"ftuf sop/"Mbsn buwsb"dpssf ouf "opo"ef wf "f ttf sf  
 jogf sjpsf "b"9"dn 3-"rni"tubgf "ef ccpop"bwf sf "ejbn f usp"opo"jogf sjpsf "b"7"n n "f e"jouf sbttf "opo"tvqf sjpsf "b"36  
 dn /"Usbwj"n f ubrj"p" f "p"qsf gcccjdbuf "dptujv f ouj"j"tprj"ef ccpop"fttf sf "qspmhobuf "of rni"dpseprp"qf s"brni f op"rni  
 n f U"ef rni"tvb"rashi f Eeb"ef "dprn vor vf "qf s'opo"n f op"ej"23"dn "f e"bef hvbubn f ouf "bodpsb"be"fttp/  
 Ko"dpssjtqpoef oE"ej"jodspdj"e(bohprp)usb"evf "qbsf uj"qf sijn f ubrj"tpop"qsf tdsjuf -"tv" f ouf usbn cf "rni"qbsf uj-  
 Eepof "ej"qbsf uf "n vsbsj"ej"mohi f Eeb"opo"jogf sjpsf "b"2"n -"dprn qsf tp"rni"tqf ttpsf "ef rni" vsp"usb"t"stbrni/  
 Brtej"tpqsb"ej"phoj"bqf suvsb"ef wf" f ttf sf "sf brjEeb" vo"bsdi jusbw"sf tjtuf ouf "b"grntjpop" f "gdjdbf n f ouf

bn n pstbup"bri"n vsbwsb/

Dpt usv€poj" jo" n vsbwsb" bsn bub;" hrijl bsdj jusbwj" tpsbtubouj" rfi" bqf swsf" qpttpop" f ttf sf " sf brijebuj" jo n vsbwsb"bsn bub/

M "cbssf"ej"bsn buwsb"ef cccpop"f ttf sf "f t dmtjwbn f ouf "ef rñjqp"be"bef sf oeb"n jhrijpsub"ef cccpop"f ttf sf bodpsuf "jo" n pep" bef hvbup" bñi" f tuf n jw" n f ejbouf " qjf hbwsf " bupsop" bñi" cbssf " wf sjudbrj" Ko" bñf sobujwb qpttpop" f ttf sf "vujebuf -"qf s"rñ"bsn buwsf "psj€poubri"bsn buwsf "b"usbrj"p"dpogsn buf "jo" n pep"eb"hsbouj" bef hvbub"bef sf oeb" f e"bodpsbhj/

Mb"qf sdf oubrfi"ej"bsn buwsb"psj€poubri-"dbrdriub"sjt qf up"brñsf b"rpsb"ef rñ"n vsbwsb-"opo"qvi "f ttf sf jogf sjpsf "bñi"1-15"& -"oè"tvqf sjpsf "bñi"1-6& /

Qbsqf uj" f e" f rñn f ouj" ej" dprñhbn f oup" usb" qbsf uj" ejw stf " ef cccpop" f ttf sf " cf o" dprñhbn" bñi" qbsf uj bejbd f ouj"hsbouf oep"rñ"dpoujovjw"ef rñ"bsn buwsb"psj€poubri" f -"pwf "qpttjcjri"ej"r vf rñ"wf sjudbrj/

Bhrijjodspdj"ef rñ"qbsf uj"qf sñ f usbrj"à"qpttjcjri"ef sphbsf "ebñsf r vjtjup"ej"bwf sf "tv" f ousbn cf "rñ"qbsf uj"€pof ej"qbsf uf "n vsbsj"ej"mohi f eeb"opo"jogf sjpsf "b"2"n /

Qf s"r vboup"opo" f tqsf tbn f ouf "dpouf n rñup"of rñqsf tf ouf "bsjdrp-"rñ"n pebrjw" f tf dvujw "ef wpop" f ttf sf dpogsn j"bñi"joejdb€poj"ef rñ"opsn bujwb"dpotprjebub/

Uvuj"j"qspeuj" f Op"n buf sbrj"ej" dvj"brñqsf tf ouf "bsjdrp-"r vbrips"qpttbop" f ttf sf "epubj"ej"n bsdubwsb"DF tf dpoeprñ"opsn bujwb"uf dojdb"vjhf ouf -"epwsboop" f ttf sf "n vojuy"ej"brñ"n bsdj jp/

**8.6.4) Muratura portante: tipologie e caratteristiche tecniche**

**Murature**

M "n vsbwsf "dptujwuf "ebri"ttf n cñhbjp" pshbojebup" f e" f gjd bdf "ej" f rñn f ouj" f "n brñb" qpttpop" f ttf sf "b tjohprp" qbsbn f oup-"tf " rñ" qbsf uf "à"tf oeb" dbwju" p" hvouj" wf sjudbrj" dpoujovj" of rñ"vp" qjbop-" p" b" qbsbn f oup epqjrp/"Ko" r vf t up"vriñ p" dbtp-"r vbrips"tjbop"qsf tf ouj"rñ"dpouf ttjpoj"usbt wf stbrj"qsf vjt uf "ebri"vspdpejdf "VOK FO"2: : 7.2.2-"tj"qsf sñ f oup"bhrij"t uf ttj" f vspdejdj"VOKFO"2: : 7.2.2-"pqqv sf -"jo"bttf oeb"ef rñ"dpouf ttjpoj usbt wf stbrj"qsf vjt uf "ebri"vspdpejdf -"tj"bqrijub"r vboup"qsf vjt up"brñqvoup"5/7")Brñj"tjt uf n j" dpt usvujw"ef rñE/N/ 28"hf oobjp"3129/

Of rñdbtp"ej" f rñn f ouj" obwsbrj" rñ" qjf usf "ej" hf pn f usjb" qsf ttpdi è" qbsbrñrñqj f eb-"qpt uf "jo" pqf sb"jo" t usbj sf hprñsj-"gpn bop"rñ"n vsbwsf "ej"qjf usb"tr vbesub/"Mjn qjf hp"ej"n buf sbrñ"ej"dbwb"hspttprñobn f ouf "rñwpsup"à dpotf oujup"qf s"rñ"ovpwf "dpt usv€poj-"qv sdi è"qpt up"jo"pqf sb"jo" t usbj"qsf ttpdi è"sf hprñsj;"jo" lbrñdbtp"tj"qbsrñ"ej n vsbwsb"ej"qjf usb"opo"tr vbesub<tf " rñ"n vsbwsb"jo"qjf usb"opo"tr vbesub"à"jouf sdrñub-"be"jouf sbttf "opo tvqf sjpsf "b"2-7"n " f "qf s" uwb" rñ" mohi f eeb" f " rñ" tqf ttpsf "ef rñn vsp-"eb" gñt df "ej" dbrñf t usv€p" tf n qrijdf " p bsn bup" pqqv sf "eb" sdpstj" psj€poubri" dpt ujwuj" eb" brñ f op" evf " gñrñsj" ej" rñuf sjejp" qjf op-"tj" qbsrñ" ej" n vsbwsb rñubub/

Mvtp"ej" hvouj"ej"n brñb"tpujrj)tqf ttpsf " dñn qsf tp"usb"1/6"n n " f "4"n n \*f Op"ej" hvouj" wf sjudbrj"b"tf ddp"vb rñm jubup"be" f ejgdj" dpo"ovn f sp"ej"qjboj" gyps" uf sss"opo"tvqf sjpsf "b"r vboup"tqf djgubup"brñqvoup"8/9/2/3"ef rñi Opsn f "Uf dojdi f "ej"dvj"brñjubup"ef dsf up" f e"brñf eeb"jouf sqjbop"n bttjn b"ej"4/6"n /

**Materiali**

Hrijl rñn f ouj"eb"vujebuf "qf s"dpt usv€poj"ej"n vsbwsb"qpsbouf "ef wpop" f ttf sf "brñleb" f vjwsf "spuwsf "gsbhrijl B"lbrñtjof "hrijl rñn f ouj"ef wpop"qpttf ef sf "j" s" r vjtj"joejdbuj" of rñqvoup"5/6/3"ef rñE/N/"28"hf oobjp"3129" f -"gub f ddf €pof " qf s" rñ" dpt usv€poj" dbsubf sjeebuf -" bñi" TMW" eb" +bñT" => 1-186h-" sjt qf uwsf " rñ" tf hvf ouj" vñf sjps joejdb€poj;

Tm"qf sdf oubrñi"vprñn f usjb"ef hrijl wf oubrj"wpuj-"opo"tvqf sjpsf "brñ56& "ef rñvprñn f "upbrñi"ef rñc rñddp<

Tm" f wf oubrj"t f uj-" ejtqptuj" qbsbrñrñn f ouf " brñqjbop" ef rñn vsp-" dpoujovj" f " sf ujjof j<rñ" vojdi f "jouf ssv€poj bn n f ttf "tpop"r vf rñi"jo" dpsjtqpoef oeb"ef j" gñsj"ej"qsf tb"p"qf s"rñm phbjbn f oup"ef rñi"bsn buwsf <

Tm" sf tjt uf oeb" dbsubf sjt ujb" b" spuwsb" of rñi" ejsf €pof " qpsbouf " )gcl \*-" dbrdriub" tvñbsf b" brñrpsb" ef rñi gñsbwsf -"opo"jogf sjpsf "b"6"N Qb"p-"jo"brñf sobujwb-"sf tjt uf oeb" n f ejb"opsn brñebub"of rñi"ejsf €pof "qpsbouf ")g: \* opo"jogf sjpsf "b"7"N Qb"<

Tm" sf tjt uf oeb" dbsubf sjt ujb" b" spuwsb" of rñi" ejsf €pof " qf sqf oejdrñsf "b" r vf rñi" qpsbouf " pt tjb" of rñqjbop"ej tvjmqqp"ef rñi"qbsf uf ")gcl \*-"dbrdriub"of rñi"tuf ttp"n pep-"opo"jogf sjpsf "b"2-6"N Qb/

Mb"n brñb"ej"brñiubn f oup"qf s"rñ"n vsbwsb"psejbsj"ef wf "bwf sf "sf tjt uf oeb" n f ejb"opo"jogf sjpsf "b"6"N Qb/

Of rñdbtp"ej"vujebuf"ej" f rñn f ouj"qf s"n vsbwsb"di f "gñoop"bgjebn f oup"b"lbt di f "qf s" sñ f oup"ej"n brñb-"j hvouj" wf sjudbrj"qpttpop" f ttf sf "dpotjef sbuj" sñ f oup"qj"t f "rñ"n brñb"à"qptub"tv" uwb"rñuf eeb"ef rñhjouj"tv"ej"vo n join p"ef rñ51& "ef rñi"rñshi f eeb"ef rñi rñn f oup"n vsbsj/

Mvtp"ej" hvouj"tpujrj)tqf ttpsf " dñn qsf tp"usb"1/6"n n " f "4"n n \*à" dpotf oujup" f t dmtjwbn f ouf "qf s" f ejgdj dbsubf sjeebuj"bñi"TMW"eb"bñT"=> 1-26" h-"dpo"rñ"t f hvf ouj"rñm jub€poj;

. "brf" "n bttjn b-"n jtvsub"jo"bttf "bnp"tqf ttpsf "ef n"n vsbwsb;"21-6"n "tf "bT"=>1-186"n<8"n "tf "1-186 h="bT"=>1-26"n"<

. "ovn f sp"ef j"qjboj"jo"n vsbwsb"eb"r vpub"dbn qbhob;"=>"4"qf s"bT"=>1-186h" "<=>"3"qf s"1-186h"="bT =>1-26h/

Mvtp"ej"hjvovj"wf sjudbrj"lopo"sjf n qjy"à"dpotf oujup"ft dmtjvbn f ouf "qf s"ef ejgdj"dbsubf sj"ebuj-"bnp"TMV"eb"bT =>1-186h-"dptujwju"eb"vo"ovn f sp"ef j"qjboj"jo"n vsbwsb"eb"r vpub"dbn qbhob"opo"n bhjpsf "ej"evf"ef "brf" "n bttjn b-"n jtvsub"jo"bttf "bnp"tqf ttpsf "ef n"n vsbwsb"ej"8"n /

Hj"l f rfn f ouj"qf s"n vsbwsf "dpo"hjvovj"tpujj"l f Qp"hjvovj"wf sjudbrj"l b"tf ddp"ef ccpop"tpeejt dgsf "r"n"tf hvf ouj rjn jub"ejpoj;

. "tqf ttpsf "n jojn p"ef j"tf uj"jouf soj;"8"n n <

. "tqf ttpsf "n jojn p"ef j"tf uj"ftuf soj;"21"n n <

. "qf sdf ouwbrf"n bttjn b"ej"gsbwsb;"66& "<

Tpop"bn n f ttf "n vsbwsf "sf br"ebuf "dpo"f rfn f ouj"bsjgdjbrj"l f rfn f ouj"jo"qjf usb"tr vbesub/

E" dpotf oujup"vuj"ebuf "n"n vsbwsb"ej"qjf usb"opo"tr vbesub"p"n"n vsbwsb"rj"ubub"tprp"qf s" dptusv"ejpoj dbsubf sj"ebuf-"bnp" TMV"eb"bT" =>1-186h/" *\*(a<sub>g</sub>S è l'accelerazione del sito comprensiva degli effetti di amplificazione locale).*

Hj"l f rfn f ouj"qf s"n vsbwsb"qpsubof "ef wpop"fttf sf "dpogsn j"brn"qf sjof ouf "opsn b"fvspqf b"bsn poj"ebub ef n"tj sf "VOK'FO"882"ef "tf dpoep"r vboup"tqf djgdub"brtqvoup"B"ef r"22/2"ef r"E/N/"28"hf oobjp"3129-"sf dbsf r"N bsdubwsb"DF-"tf dpoep"rjtjtuf n b"vbrub"ejpof "f"vf sjgd"ef n"n dpt ubo"eb"ef n"n qsf t ub"ejpof "jvj"joejdbup/

Tqf djgdub"uf dojdb"fvspqf b"ej"sjf sjn f oup	Dbuf hpsjb	Tjtuf n b"ej"vbrub"ejpof "f Wf sjgd"ef n"n dpt ubo"eb"ef n"n Qsf t ub"ejpof
Tqf djgdub" qf s" f rfn f ouj" qf s" n vsbwsb" . Ffn f ouj"qf s"n v. "sbwsb"ej"rbuf sj"ep-"tjrdub"ej dbrdj" jo" dbrf tusv"ep" vj." cspdpn qsf ttp )bhhsf hbu" qf tboy" f " rfnhf sj" dbrf tusv"ep bf sbup"bvupdrubup-"qjf usb"bhhrn f sbub-"qjf usb obwsbrf"VOK'FO"882.2-"882.3-"882.4-"882.5-882.6-"882.7	Dbuf hpsjb"K	3,
	Dbuf hpsjb"KK	5

Dpn f "qjò"qsf djtbn f ouf "tqf djgdub"of rfn"opsn f "fvspqf f "bsn poj"ebuf "ef n"n"tf sjf "VOK'FO"882-"hj"l f rfn f ouj ej"dbuf hpsjb"K"i boop"vob"sf tjtuf o"eb"brn"dpn qsf ttpof "ejdi jbsub-"ef uf sn jobub"usbn juf "jrwbrpsf "n f ejp"p"jm wbrpsf "dbsubf sjtjdp-"f "vob"qspcbcjru"ej"jotvddf ttp"of r"sbhhjvohf s"n"opo"n bhjpsf "ef r"6& /"Hj"l f rfn f ouj"ej dbuf hpsjb"KK"opo"tpeejt dpoep"r vftup"sf r vjtjup/

Mvtp"ej"rfn f ouj"qf s"n vsbwsb"qpsubof "ej"Dbuf hpsjb"K"ef "KK"à"tvcpsjobup"brn"ep"ejpof-"of n"n"vbrub"ejpof ef n"n"sf tjtuf o"eb"ej"qspfh up-"ef r"dpssjt qpoef ouf "dpf ggdj"ouf "ej"tjdvf "eb"n"n"sjqpsubup"of r"sf r"ujvp"qbsbhsbgp 5/6/7/"ef r"E/N/"28"hf oobjp"3129"ef "t/n /j/

**Prove di accettazione**

P rnsf "b"r vboup"qsf vjtup"brn"rnuof sb"B"ef r"qvoup"22/2"ef r"E/N/"28"hf oobjp"3129"ef "t/n /j/-"r"E"jsf "ejpof"ef j Mbwpsj"à"uf ovub"b"gsf"tf hvjsf "vrf sjpsj"qspwf "ej"bddf ub"ejpof"t v"rj"l f rfn f ouj"qf s"n vsbwsb"qpsubof "qf swf ovuj jo"dbouj sf "f"tvj"dp"rhnbn f ouj-"tf dpoep"rfn"n f upeprhjf "ej"qspwb"joejdbuf"of rfn"opn f "bsn poj"ebuf "ef n"n"tf sjf VOK'FO"882/

M "qspwf "ej"bddf ub"ejpof "tv"n buf sbrj"ej"dvj"brhqsftf ouf "qbsbhsbgp"tpop"pccrjmbupsj" f "ef wpop"fttf sf ftf hvjuf "f"df sjgdubf "qsf ttp"vo"rbcpsbupsj"ej"dvj"brn"psj"6: "ef r"E/Q/S/"o/"49103112/

**Criteri di progetto e requisiti geometrici**

M "qjbof "ef n"n" dptusv"ejpoj"ef ccpop"fttf sf "r vboup"qjò"qpttjcrfn"dpn qbuf "f"tjn n f usjdi f "sjtqf up"bj"evf bttj"psuphobrj/"M"qbsf ujt"usvwsbrj"brn"psep"ef n"n"bqf swsf-"ef ccpop"bwf sf "dpoujovju"jo"f rfw"eb"ejpof "gop"brn goeb"ejpof-"f vjboep"qbsf ujt"jo"drtp/"M"t usvwsf "dptujw f ouj"psj"epoubn f ouj"ef "dpqf swsf "opo"ef wpop"fttf sf tqjohf ouj/"Fv ouwbrj"tqjouf "psj"epoubrj"wbmbuf "uf of oep"jo"dpoup"r"eb"ejpof "tjn jdb-"ef wpop"fttf sf "bttpscjuf qf s"n f "ep"ej"jepof j"rfn f ouj"t usvwsbrj/

K"tprj"ef wpop"bttprwf sf "g"o"ejpof "ej"sjqbsuj"ejpof "ef n"n"b"ejpoj"psj"epoubrj"usb"rfn"qbsf ujt"usvwsbrj"ef "ej"vjodprp of j"dpogspouj"ef n"n"b"ejpoj"gypsj"ef r"tj"bop"ef n"n"qbsf ujt"qf suboup"ef wpop"fttf sf "cf o"dp"rhnbu"bj"n vsj"ef "hbsbouj sf vo"bef hvbup"g"o"ejpobn f oup"b"ejbgsn n b/

Mb"ejt ubo"eb"n bttjn b"usb"evf "tprj"t vddf ttjvj"opo"ef wf "f ttf sf "tvqf sjpsf "b"6"n /

Mb"hf pn f usj"ef n"n"qbsf ujt"sf tjtuf ouj"brtjt n b-"ef wf "sjtqf ubsf "j"sf r vjtj"joejdbuf"of r"E/N/"28"hf oobjp"3129"ef t/n /j/

### 8.6.5) Muratura portante: elementi resistenti in muratura

#### Elementi artificiali

Qf s' hrf f rfn f ouj" sf tjtuf ouj" bsujgdjbrj" eb" jn qjf hbsf " dpo" gvoeipof " sf tjtuf ouf " tj" bqqrjdbop" rfn" qsf tdsjeipof sjqpsubf "brtqvoup"22/21/2"ef rE/N/"28"hf oobjp"3129/

Hrf f rfn f ouj" sf tjtuf ouj" bsujgdjbrj" qpttpop" f ttf sf " epubj" ej" gspj" jo" ejsf eipof " opsn brn" brhqjbop" ej" qpt b )gpbwsb" wf sujdbri"pqvsv " jo" ejsf eipof " qbsbrnrb" )gpbwsb" psjeipoubrn" dpo" dbsuf sjt udi f " ej" dvj" brtqvoup 22/21/2"ef rE/N/"28"hf oobjp"3129/Hrf f rfn f ouj"qpttpop" f ttf sf "sf ujjgdbj"tvntvqf sgdj" ej"qpt b/

Qf s' rfn qjf hp" of rfn" pqf sf " usubuf " ebnt" qsf tfof " opsn b-" hrf f rfn f ouj" tpop" drttjgdbj" jo" cbtf " brnt qf sdf oubrn"ej" gpbwsb  $\phi$  f e"brnt" b'n f ejb"ef rnt" f eipof "opsn brn"ej"phoj"tjohprn" gsp" g/

K'gspj" tpop" ej" sf hprn" ejt uscvju" qsf ttpdi è "vojgpn f n f ouf "tvnt" gddjb" ef rfn" rfn f oup/

Mb" qf sdf oubrn" ej" gpbwsb "à" f tqsf tt b" ebnt" sf rnt" eipof "  $\phi > "211" GCB$  epwf ;

. "G"à" rnt" b" dpn qf rnt" jwb" ef j" gspj" qbtt bouj" f " qspgoej" opo" qbtt bouj <

. "B"à" rnt" b" rpsb" ef rnt" gddjb" ef rfn" rfn f oup" ej" n vsbwsb" ef rjn jubub" ebrt" vp" qf sjn f usp/

Of rntbtp" ef j" rnt" ddi j" jo" rnt" f sjeip" f tsvtj" rnt" qf sdf oubrn" ej" gpbwsb"  $\phi$  dpjodjef " dpo" rnt" qf sdf oubrn" jo" vprn f ef j" wpuj" dpn f " ef gojub" ebnt" opsn b" **VOKFO"883** . /

M "Ubc/"5/6/Kb.c" sjqpsbop" rnt" drttjgdbjeipof " qf s' hrf f rfn f ouj" jo" rnt" f sjeip" f " dbrt" f tsvv" sjt qf ujbv n f ouf /

**Tabella 4.5.Ia** - "Classificazione elementi in laterizio

Elementi	Percentuale di foratura $\phi$	Area f della sezione normale del foro
Qf oj	$\phi \leq "26"&$	$d' \leq "dn^3$
Tf n jqf oj	$26"& = " \phi \leq "56"&$	$d' \leq "23" dn^3$
Gpsbj	$56"& = " \phi \leq "66"&$	$d' \leq "26" dn^3$

Hrf f rfn f ouj" qpttpop" bwf sf " jodbvj" ej" rjn jubub" qspgoej" ef t joby" be" f ttf sf " sfn qj" ebrnt" up" ej" n brnt/

Frfn f ouj" ej" rnt" f sjeip" ej" bsf b" rpsb" B" n bhjpsf " ej" 411" dn<sup>3</sup> qpttpop" f ttf sf " epubj" ej" vo" gsp" ej" qsf tb" ej" bsf b n bttjn b" qbsj" b" 46" dn<sup>3</sup> " eb" dpn qvbsf " of rnt" qf sdf oubrn" dpn qf rnt" jwb" ef rnt" gpbwsb" " bwf ouf " rnt" tdpq" ej bhf vprnt" rnt" qsf tb" n bovbrn" qf s" B" tvqf sjpsf " b" 691" dn<sup>3</sup> tpop" bn n f ttj" evf " gspj" djbt dvop" ej" bsf b" n bttjn b qbsj" b" 46" dn<sup>3</sup> " pqvsv " vo" gsp" ej" qsf tb" p" qf s' rnt" wf oubrn" brnt" hbjb n f oup" ef rnt" bsn buwsb" rnt" dvj" bsf b" opo" tvqf sj 81" dn<sup>3</sup> /

**Tabella 4.5.Ib** . "Classificazione elementi in calcestruzzo

Elementi	Percentuale di foratura $\phi$	Area f della sezione normale del foro	
		A ≤ 900 cm <sup>2</sup>	A > 900 cm <sup>2</sup>
Qf oj	$\phi \leq "26"&$	$d' \leq "1-21" B$	$d' \leq "1-26" B$
Tf n jqf oj	$26"& = " \phi \leq "56"&$	$d' \leq "1-21" B$	$d' \leq "1-26" B$
Gpsbj	$56"& = " \phi \leq "66"&$	$d' \leq "1-21" B$	$d' \leq "1-26" B$

Opo" tpop" tphhf ujb" rjn jubjeipof " j" gspj" ef hrf f rfn f ouj" jo" rnt" f sjeip" f " dbrt" f tsvv" ef t joby" be" f ttf sf " sfn qj" ej" dbrt" f tsvv" p" n brnt/

Mb" qf ttpsf " n jojn p" ef j" tf ujb" jof soj" )ejt uboeb" n jojn b" usb" evf " gspj" à" jrt" f hvf ouf ;

f rfn f ouj" jo" rnt" f sjeip" f " ej" t jrdub" ej" dbrtj; 8" n n <

f rfn f ouj" jo" dbrt" f tsvv; 29" n n <

Tqf ttpsf " n jojn p" ef j" tf ujb" f tuf soj" )ejt uboeb" n jojn b" ebrnt" cpsep" f tuf sop" brnt" gsp" qjò" vjdjop" brnt" of up ef rnt" wf oubrn" sjhbwsb" à" jrt" f hvf ouf ;

f rfn f ouj" jo" rnt" f sjeip" f " ej" t jrdub" ej" dbrtj; 21" n n <

f rfn f ouj" jo" dbrt" f tsvv; 29" n n <

Qf s' j" wbrpsj" ej" bef t jvj" n brnt" of rfn f oup" sf tjtuf ouf " tj" qv" " gsf " sfg sjn f oup" b" joejdbjeipoj" ej" opsn bujv " ej sjdpopt djvub" vbrjeju/

#### Elementi naturali

Hrf f rfn f ouj" obwsbrj" tpop" sjdbwuj" eb" n buf sjbrn" rnt" qjef p" opo" gsjbcjrn" p" t gbrbcjrn" f " sf tjtuf ouf " brnt" rnt" f ttj opo" ef wpop" dpouf sf " jo" n jtvsb" tf otjcjrn" tpt uboef " tprncjrn" p" sf tjev" j" pshbojdf " ef wpop" f ttf sf " jof hsj" tf oeb eipof " brnt" sbuf " p" sjn pvjcjrn/



Hijl f rfn f ouj ef vpop" qptt ef sf "j" sf r vjtjy" ej" sf tjt uf oeb" n f ddbojdb" f e" bef t jvju" bmn" n brf" ef uf sn jobuj  
tf dpoep" rfn" n pebrju" ef tdsjuf "of rfvoup" 22/21/4" ef rE/N/" 28" hf oobjp" 3129/

### 8.6.6) Muratura Portante: Organizzazione Strutturale

Mf ejgdjp" b" n vsbwsb" qpsubouf "ef wf "f ttf sf "dpodf qjup" dpn f "vob" t usvwsb" usjejn f otjpopbrf/  
K' tjt uf n "j" sf tjt uf ouj" ej" qbsf u" ej" n vsbwsb- "hjt" psj" e poubn f ouj" f "rnf" gpoeb" e jpoj" ef vpop" f ttf sf "dprnf" hbu" j" usb" ej  
rpsp" jo" n pep" eb" sf tjt uf sf "bmn" b" e jpoj" wf s jdbjrf" e" psj" e poubrj/  
K' qboof rjn" vsbsj" t pop" dpotjef sbj" sf tjt uf ouj" bodi f "bmn" b" e jpoj" psj" e poubrj" r vboep" i boop" vob" mohi f eeb" opo  
jogf sjps" " b" 1-4" wprf " rbrf eeb" ej" jof sqjbop" < f ttj" twrhp" pop" g o e j p o f " q p s u b o u f - " r v b o e p " t p o p " t p r n d j u b j  
qsf wbrfouf n f ouf "eb" b" e j p o j " w f s j d b r j " f " t w r h p o p " g o e j p o f " e j " d p o u s p w f o u p - " r v b o e p " t p r n d j u b j " q s f w b r f o u f n f o u f  
eb" b" e j p o j " p s j " e p o u b n f o u j " e f v p o p " f t t f s f " p q q p s u v o b n f o u f  
Bj" goj" ej" vo" bef hvbup" dpn qpsubn f oup" t ubjdp" f "ejobn jdp" ef rnf" ejgdjp- "wuf "rnf" qbsf u" ef vpop" btt p m f s f - " q f s  
r v b o e p " q p t t j c j r f n " t j b " r n " g o e j p o f " q p s u b o u f " t j b " r n " g o e j p o f " e j " d p o u s p w f o u b n f o u p /  
Hijl psj" e poubn f ouj" tpop" hf of sbm f ouf " tprbj" qjboj- " p" dpo" dref " jodjebuf " jo" dpqf svwsb- " di f " ef vpop  
btt jdvbsf - " q f s " s f t j t u f o e b " f " s j h j e f e e b - " r n " s j q b s j e j p o f " e f r n f " b e j p o j " p s j " e p o u b r j " g s b " j " n v s j " e j " d p o u s p w f o u b n f o u p /  
Mps hboj eeb" e j p o f " e f r n f o u f s b " t u s v w s b " f " r n f o u f s b e j p o f " f e " j r t d p r n f h b n f o u p " u s b " r n " t v f " q b s j " e f v p o p " f t t f s f " u b r j n  
eb" btt jdvbsf " b q q s p q s j b u b " s f t j t u f o e b " f " t u b c j r j u " f e " v o " d p n q p s u b n f o u p " e ( j o t j f n f " % d b u p r a s f %  
Qf s" hbsoujsf " vo" dpn qpsubn f oup" tdburbsf - " n vsj" f e" psj" e poubn f ouj" ef vpop" f ttf sf " p q q p s u v o b n f o u f  
dprnf" hbu" j" gsb" rpsp/  
Uvuf "rnf" qbsf u" ef vpop" f ttf sf "dprnf" hbu" b" rhtjw" rnf" ef j" tprbj" n f e j b o u f " d p s e p r j e j " q j b o p " e j " d b r d f t u s v e e p " b s n b u p  
f - " u s b " e j " r p s p - " n f e j b o u f " b n n p s t b n f o u j " m o h p " r n " j o u f s t f e j p o j " w f s j d b r j /  
K' d p s e p r j e j " q j b o p " e f v p o p " b w f s f " b e f h v b u b " t f e j p o f " f e " b s n b u w s b /  
Ef vpop" joprasf " f t t f s f " q s f v j t u j " p q q p s u v o j " j o d b u f o b n f o u j " b r h j w " r n f " e f j " t p r b j - " b w f o u j " r n " t d p q p " e j " d p r n f h b s f " u s b  
rpsp" j" n vsj" qbsb" rnf" jef rnf" tdburbs" n vsbsj" b" Ubrj" jodbuf obn f ouj" ef vpop" f ttf sf "sf brj" eeb" qf s" n f eep" ej" bsn buwsf  
n f ubrj" d f " p " b r a s p " n b u f s j b r n " s f t j t u f o u f " b " u s b e j p o f - " r n " d v j " f t u s f n j u " e f v p o p " f t t f s f " f g j d b d f n f o u f " b o d p s b u f " b j  
d p s e p r j /  
Qf s" j r t d p r n f h b n f o u p " o f r n f " e j s f e j p o f " e j " u f t t j w s b " e f r n f " p r b j p " q p t t p o p " f t t f s f " p n f t t j " h j t j o d b u f o b n f o u j " r v b o e p  
j r t d p r n f h b n f o u p " a " b t t j d v s b u p " e b r t p r b j p " t u f t t p /  
Qf s" j r t d p r n f h b n f o u p " j o " e j s f e j p o f " o p s n b r n " b r n a " u f t t j w s b " e f r n f " p r b j p - " t j " q p t t p o p " b e p u b s f " p q q p s u v o j  
b d d p s h j n f o u j " d i f " t p t u j w j t d b o p " f g j d b d f n f o u f " h r j t j o d b u f o b n f o u j " d p t u j w j y " e b " u j s b o u j " f t u s b o f j " b r t p r b j p /  
K' t d p r n f h b n f o u p " g s b " r n " g p o e b e j p o f " f " r n " t u s v w s b " j o " f r n w e j p o f " a " h f o f s b m f o u f " s f b r j e e b " n f e j b o u f " d p s e p r j  
j o " d b r d f t u s v e e p " b s n b u p " e j t q p t u p " b r n a " c b t f " e j " u w f " r n " n v s b w s f " w f s j d b r j " s f t j t u f o u j " E " q p t t j c j r f n " s f b r j e e b s f " r n  
q s j n b " f r n w e j p o f " d p o " q b s f u j " e j " d b r d f t u s v e e p " b s n b u p - < j o " u b r h d b t p " r n " e j t q p t j e j p o f " e f r n f " g p o e b e j p o j " f " e f r n f  
n v s b w s f " t p w s b t l o u j " e f w f " f t t f s f " u b r n " e b " h b s b o u j s f " v o " b e f h v b u p " d f o u s b h h j p " e f j " d b s j d i " j " u s b n f t t j " b r n f " q b s f u j  
e f r n f " q s j n b " f r n w e j p o f " f e " b r n a " g p o e b e j p o f /  
M' t q f t t p s f " e f j " n v s j " q p s u b o u j " o p o " q v i " f t t f s f " j o g f s j p s f " b j " t f h v f o u j " w b r p s j ;  
. " n v s b w s b " j o " f r n f o u j " s f t j t u f o u j " b s j g d j b r j " q j f o j " 2 6 1 " n n <  
. " n v s b w s b " j o " f r n f o u j " s f t j t u f o u j " b s j g d j b r j " t f n j a j f o j " 3 1 1 " n n <  
. " n v s b w s b " j o " f r n f o u j " s f t j t u f o u j " b s j g d j b r j " g p s b u j " 3 5 1 " n n <  
. " n v s b w s b " e j " q j f u s b " t r v b e s b u b " 3 5 1 " n n <  
. " n v s b w s b " e j " q j f u s b " j t i u b u b " 5 1 1 " n n <  
. " n v s b w s b " e j " q j f u s b " o p o " t r v b e s b u b " 6 1 1 " n n /

### 8.6.7) Paramenti per le Murature di Pietrame

Qf s" rnf" gddf "b" vjtub" ef rnf" n vsbwsf "ej" qjf usbn f -"tf dpoep" rhtjpsj" ef rnf" Ejsf e j p o f " e f j " M w p s j - " q p u s u " f t t f s f  
qsf tdsjub" rnf" f t f d v e j p o f " e f r n f " t f h v f o u j " t q f d j b r j " r a w p s b e j p o j ;  
b\* dpo" qjf usb" sbtb" f " u f t u f " t d p q f s u f " ) b e " p q f s b " j o d f s u b \* <  
c\* b" n ptbjdp" hsf eep <  
d\* dpo" qjf usb" tr vbesub" b" dpstj" qsf ttpdi e" sf hprlasj <  
e\* dpo" qjf usb" tr vbesub" b" dpstj" sf hprlasj /  
b\* Of rnf" qbsbn f oup" dpo" %qjf usb" sbtb" f " u f t u f " t d p q f s u f % ) b e " p q f s b " j o d f s u b \* " j r t q j f u s b n f " e p w s u " f t t f s f " t d f r n p  
ejjnf" ouf n f ouf " gsb" j r h n j h r j p s f " f " r n " t v b " g d d j b " v j t u b " e p w s u " f t t f s f " s j e p u b " d p r h n b s u f r n p " b " t v q f s j d j f

bqqspttjn bujvbn f ouf " qjbob< rfi" qbsf u" f tuf sof " ef j" n vsj" epwsboop" sjtvrbsf " cf of " brjof buf " f " opo  
 qsf tf ousf "sjf ousboef "p"tqpsfh ofef "n bhjpsj"ej"36"n n /  
 c\* Of rñqbsbn f oup"b"%a ptbjdp"hsf eep%ab"gdcdjb"vjt ub"ef j"t johprj"qf eej"epwsu"fttf sf "sjepub"dprñ bsf mp"f "rb  
 hsp ttb" qvoub" b" tvqf sgdjf " qf sg ubn f ouf " qjbob" f e" b" ghv sb" qprñpobrñ-" f e" j" tjohprj" qf eej" epwsboop  
 dpn cbdjbsf "gsb"rpsp"sf hprñsn f ouf "-sf t uboep"vjf ubp"rvt p"ef rñ"t dbhrji /  
 Ko"uwup"jñsf t up"tj"tf hvjsboop"rñ"opsn f "joejdbuf "qf s"jñqbsbn f oup"b"qjf usb"sbtb/  
 d\* Of rñqbsbn f oup"b"%apstj"qsf ttpdi è"sf hprñsj"qj"qjf usbn f "epwsu"fttf sf "sjepup"b"dpodj"qjboj" f "tr vbesuj-  
 tjb" dprñ bsf mp" di f " dpo" rñ" hsp ttb" qvoub-" dpo" rñ" gdcdf " ej" qptb" qbsmñrñ" gsb" rpsp" f " r vf rñ" ej  
 dpn cbdjbn f oup"opsn brj"b"r vf rñ"ej"qptb/"K"dpodj"tbsboop"qpt u"jo"pqf sb"b"dpstj"psjeepoubj"ej"brñ eeb  
 di f "qvi" vbsjbsf "eb"dpst p"b"dpst p-"f "qpusu"opo"fttf sf "dpt ubouf "qf s"rñof sp"grñsf /"Of rñ"tvqf sgdj" f tuf sof  
 ef j"n vsj"tbsboop"uprñsbu"sjf ousboef "p"tqpsfh ofef "opo"n bhjpsj"ej"26"n n /  
 e\*Of rñqbsbn f oup"b"%apstj"sf hprñsj"qj"dpodj"epwsboop"fttf sf "qf sg ubn f ouf "qjboj" f "tr vbesuj-"dpo"rñ"gdcdjb  
 vjt ub" sf ubohprñsf "-"rñvpsuj" b" hsbob" psejobjsb-" f ttj" epwsboop" bwf sf " rñ" tuf ttb" brñ eeb" qf s" w ub" rñ  
 mohi f eeb"ef rñ f ef tjn p"dpst p-"f "r vbrpsb"j"vbsj"dpstj"opo"bwf ttf sp" f hvbrñ"brñ eeb-"r vf t ub"epwsu"fttf sf  
 ejt qpt ub"jo"psejof "ef dsf tdf ouf "ej"dpstj"jog sjsj"bj"dpstj"tvqf sjsj-"dpo"ejgf sf oeb"qf s " gsb"evf "dpstj  
 tvddf ttjw"opo"n bhjpsj "ej"6"dn /"Mb"Ejsf eepof "ef j"mvpsj"qpusu"bodi f "qsf tdsjv"sf "rñof eeb"ef j"t johprj  
 dpstj-"f e" pwf "of rñ"tuf ttb"tvqf sgdjf "ej"qbsbn f oup"wf ojt tf sp"jn qjf hbu"dpodj"ej"qjf usb"eb"lbrñj"qf s  
 sjwft yn f oup" ej" brñof " qbsj-" j" grñsj" ej" qbsbn f oup" b" dpstj" sf hprñsj" epwsboop" f ttf sf " jo" qf sg ub  
 dpsjt qpoef oeb" dpo"r vf rñ"ef rñ"qjf usb"eb"lbrñj/

Uboup" of rñqbsbn f oup" b" dpstj" qsf ttpdi è" sf hprñsj-" r vboup" jo" r vf mp" b" dpstj" sf hprñsj-" opo" tbsu" uprñsbu  
 rñ qj hp"ej"t dbhrji "of rñ"gdcdjb" f tuf sob< jñrñdpn cbdjbn f oup"ef j"dpstj"epwsu"bwf ojsf "qf s"bm f op"vo"uf sēp"ef rñ  
 rpsp"sjf ousboeb"of rñ"gdcdf "ej"qpt b-"f "opo"qpusu"fttf sf "n bj"n jopsf "ej"21"dn "of j"hvjuj"wf sjudrj/  
 Mb"sjf ousboeb"ef j"t johprj"qf eej"opo"tbsu"n bj"n jopsf "ef rñ"rpsp"brñ eeb-"oè"jog sjsf "b"36"dn < rñof eeb  
 n jojn b"ef j"dpstj"opo"epwsu"fttf sf "n bj"n jopsf "ej"31"dn /  
 Ko" f ousbn cjj"qbsbn f ouj"b"dpstj-"rñ"t dprñbn f oup"ej"evf "hvjuj"wf sjudrj"dpotf dvujw"opo"epwsu"fttf sf "n jopsf  
 ej"21"dn "f "rñ"dpoofttvsf "bwsboop"rñshi f eeb"opo"n bhjpsj "ej"vo"df ouj f usp/  
 Qf s"uwuj"j"uj"ej"qbsbn f oup"rñ"qjf usf "epwsboop"n f uf stj"jo"pqf sb"brñ sobujvbn f ouf "ej"qvoub"jo"n pep"eb  
 bttjdvsf "jñrñpñhbn f oup"dpñovdrñp"jof sop"ef rñ"n vsbuw/s/  
 Qf s"rñ"n vsbuw"sf "dpo"n brñ-"r vboep"r vf t ub"bwsu"gpup"dpowf oj f ouf n f ouf "qsf tb-"rñ"dpoofttvsf "ef rñ"gdcdf  
 ej"qbsbn f oup-"epwsboop"fttf sf "bddvsbn f ouf "t wdcbuf /  
 Ko"r vboup"brñ"dpoofttvsf "-"tbsboop"n bouf ovuj"j"rñ j"ej"rñshi f eeb"jttbu"of rñ"bsjdpj"qsf df ef ouj"tf dpoep  
 rñ"ejv"stf "dbuf hpsj"ej"n vsbuw/s/  
 Qf s"rñ"vprñ "jo"qjf usbn f "tj"jn qjf hi f sboop"qjf usf "ej"qsn b-"qf s"r vboup"qpttjcrñ-"sf hprñsj-"bwf ouj"j"rñuj"ej  
 qptb"p"obuwbm f ouf "qjboj"p"sf tj"hspttprñobn f ouf "lbrñ"dpñ"rñ"n eeb"p"dpñ bsf mp/  
 Ko"uwuf "rñ"tqf djf "ej"qbsbn f ouj"rñ"t wdcbuws"epwsu"fttf sf "gub"sbt di jboep"qsf wf oujvbn f ouf "rñ"dpoofttvsf  
 gop"b"dpowf oj f ouf "qspgoejw"qf s"qvshbsrñ"ebm"n brñ-"ebm"qprv"sf "-"f "eb"r vbrñor vf "brñ"n buf sjb"ft usbof b-  
 rñvboepñ" dpo" bdr vb"bcc poebouf "f "sjf n qjf oep"r vjoej"rñ"dpoofttvsf "tuf ttf "dpo"ovpwb"n brñ"ef rñ"r vbrñu  
 qsf tdsjub-"dvsboep"di f "r vf t ub"qf of usj"cf of "ef ousp-"dpn qsjn f oeprñ"rñ"djboepñ" dpo"bqqptjup"cf ssp"jo"n pep  
 di f "jñrñpousop"ef j"dpodj"t vj"gpouj"ef rñqbsbn f oup-"b"rñvpsp"gojup-"tj"ejt f hoj"of ubn f ouf "f"t f oeb"tcbwuw/s /

**Art. 8.7**  
**ALTRI SISTEMI COSTRUTTIVI**

**Generalità**

Rvbrpsb"wf ohbop"vtbu"tjt u f n j" dpt usvujw"ejv"stj"eb"r vf rñ"ejt djrñobu"ebm" E/N/"28"hf oobjp"3129-"rñ"rpsp  
 jepof jw"ef w" f ttf sf " dñ qspwub" eb" vob" ejdi jbsb eepof " sjrñt djub-" bj" tf otj" ef rñ"bsjdpñ" 63-" dñ n b" 3-" ef m  
 E/Q/S/" 491012-" ebrñ"qsf tjef ouf " ef rñ"dpotjhrñ" tvqf sjsf " ef j" rñvpsj" qvccrñdj" tv" dpogsn f " qbsf sf " ef mp" tuf ttp  
 Dpotjhrñ" f "qsf wjb"jt usvupsj"ef rñ"t svj eep"Uf dojdp"Df ousbrñ/  
 Tj"jof oepop"qf s"tjt u f n j" dpt usvujw"ejv"stj"r vf rñ"qf s"dvj"rñ"sf hprñ"ej"qspfh ub eepof "f e" f tf dv eepof "opo  
 tjboj"qsf vjt u f "of rñ"opsn f "uf dojdi f "ej"dvj"brñ E/N/"28"hf oobjp"3129"p"of j"sjf sñ f ouj"uf dojdi" f "of j"epdvn f ouj"ej  
 dpn qspwub"vbrñejw"ej"dvj"brñ Dbajuprñ"23"ef rñ"dbub"ef dsf up-"of rñ"jt qf up"ef j"rñv rñ"ej"tjvdsf eeb"qsf vjt u"ebm  
 tuf ttf "opsn f "uf dojdi f /  
 Ko"phoj"dbtp-"j"n buf sbrñ"p"qspeuj"t usvupsj"vujw"ej"of rñ"tjt u f n b" dpt usvujw"ef wpop"fttf sf "dpogsn j"bj  
 sf r vjt u"ej"dvj"brñ Dbajuprñ"22"ef rñ E/N/"28"hf oobjp"3129/  
 Qf s"t johprj"dbtj"tqf djgdj"rñ"bn n jojt us eepoj"uf sjspsjbm f ouf "dñ qf uf ouj"brñ"wf sgdj"ef rñ"qqrñob eepof "ef rñ  
 opsn f "uf dojdi f "qf s" rñ" dpt us eepoj"bj"tf otj" ef rñ E/Q/S" 49103112"p" rñ"bn n jojt us eepoj" dñ n juv ouj" qpttpop  
 bwbrñstj" ef rñ"ujvujw" dpotv rñv-" bj" tf otj" ef rñ"bsjdpñ" 3-" dñ n b" 2-" rñuf sb" c\*" ef rñ E/Q/S/" 31503117-" ef m  
 Dpotjhrñ"Tvqf sjsf "ef j"mvpsj"Qvccrñdj-"di f "tj"ftqsjn f "qsf wjb"jt usvupsj"ef rñ"t svj eep"Uf dojdp"Df ousbrñ/

**Art. 8.8**  
**COSTRUZIONE DELLE VOLTE**

M "vpruf" jo"hf of sf "tbsboop" dpt usvjuf "tpqsb" tprjef "bsn buwuf" gsn buf "tf dpoep" rfi" n jhrjpsj" sf hprfi" f e"jo n pep" di f "jrh n boup" p" ubn cvsp" bttvn b" rbi" dpoqsn bEjpopf " bttf hobub" bmqousbepttp" ef hijl bsdj j" vpruf" p qjbuwcbcoef "tbrmp" b" uf of s" dpoup" ej" r vf rthubou" jo" qjò-" of rtt f t up" ef rfi" df oujof "di f "tj" dsf ef sU" of df t tbsj" b dpn qf otp" ef rttf tvn jcrjfi" bccbttbn f oup" ef rbi" vpruf" epqp" jrtjebn p/

E" eub" ddpnd" bmqousbepttp" ef "ej" bepufsf " of rbi" gsn bEjpopf " ef rfi" bsn buwuf "tveef uf " r vf rttjtuf n b" di f dsf ef sU" ej" tvb" dpowf ojf oE" qvsci è" qsf tf ouj" rbi" of df t tbsj" tbcjru" f "tj dvsf E" b" bwf oep" rmqousbepttp" rjof sb sf t qotbcjru" ef rbi" rpsp" sjvt djub" dpo" r pccrjhp" ej" ef n prjsf " f " sjgsf " b" tvf " tqf tf " j" vpruf" di f "jo" tf hvjup" bm ejt bsn p" bwf ttf sp" b" ef gsn bstj" pe" b" qf sef sf " rbi" vpruf" spcvtf E/

Vrjn bub" rbi" bsn buwuf " f " ejrjhf ouf n f ouf " qsf qbsuf " rfi" tvqf sgdj" e(jn qptub" ef rfi" vpruf " tbsboop" dprnd" buj" jo pqf sb" j" dpo" ej" qj uf sb" pe" j" n bupoj" dpo" rfi" dpoof t t v s f " ejt qpt uf " of rbi" ejf E j p o f " q s f d j t b " e f j " t v d d f t t j w j " s b h h j " e j d v s w u w s b " e f r m q o u s b e p t t p " d v s b o e p " e j " g s " q s p d f e f s " r b i " d p t u s v j p o f " h s b e b u b n f o u f " f " e j " d p o t f s w b " t v j " e v f " g b o d i j / E p w s b o o p " j o p r u s f " f t t f s f " t p w s b d d b s j d b u f " r f i " d f o u j o f " b m b i " d i j b w f " q f s " j n q f e j s o f " r p " t g b o d b n f o u p " j n q j f h b o e p " b u b r i " t d p q p " r p " t u f t t p " n b u f s j b r i " e f t j o b u p " b m b i " d p t u s v j p o f " e f r b i " v p r u f /

Ko" r vboup" bmqousbepttp" dpoof t t v s f " tbsboop" n bouf ovuj" j" rjn juj" ej" rashi f E" b" gttbu" of hijl bsdj dprj" qsf df ef ouj" tf dpoep rfi" ejv" stf " dbuf hpsj" ej" n vsbwuf /

Qf s" rfi" vpruf "jo" qj uf sbn f "tj" jn qj hi f sboop" qj uf "ej" gsn b" qf s" r vboup" qpttjcrjfi" sf hprtsj" bwf ouj" j" rfu" ej qpt b" p" obuw s b m f o u f " q j b o j " p " s f t j " h s p t t p r b o b n f o u f " u b r j " d p o " r b i " n b e e b " p " d p r i n b s u f r p /

Of rfi" vpruf "dpo" n bupoj" ej" gsn b" psejobsj" rfi" dpoof t t v s f " o p o " e p w s b o o p " n b j " f d d f e f s f " r b i " r a s h i f E " b " e j " 6 " n n b m q o u s b e p t t p " f " e j " 2 1 " b m q i t u s b e p t t p " B " u b r i v p q p " r b q q b r u b u p s f " q f s " r f i " v p r u f " e j " q j d d p r p " s b h h j p " a " p c c r j h b u p " t f o e b e j s j u p " b e " b r a v o " d p n q f o t p " t q f d j b r i " b " u b h j b s f " e j r j h f o u f n f o u f " j " n b u p o j " q f s " s f o e f s r j l d v o f j g s n j " p w w f s p " b q s p w w f e f s f " q v s f " t f o e b " t q f d j b r i " d p n q f o t p " n b u p o j " t q f d j b r i " r a v p s b u j " b " s b h h j p /

Tj" bvsU" rbi" n bhjpsf " dvsb" uboup" of rbi" tdf rbi" ef j" n buf sjbrj" r vboup" of rhrpsp" dprndbn f oup" jo" pqf sb" f of rvojsf "dpo" n bmb" hijl vrjn j" g r b s j " b m b i " d i j b w f " t j " v t f s b o o p " j " n j h r j p s j " n f u e j " t v h h f s j u j " e b m q o u s f " - p o e f " b c c j b " b s j t v r b s f " v o " r b w p s p " j o " p h o j " q b s u f " q f s g u p / " M " j n q p t u f " e f h i j l b s d j j " q j b u w c b o e f " f " v p r u f " - e p w s b o o p " f t t f s f f t f h v j u f " d p o u f n q p s b o f b n f o u f " b j " n v s j f " e p w s b o o p " s j v t d j s f " c f o f " d p r i n h b u f " b e " f t t j / " M b " r a s h i f E " b " e f r f i " j n q p t u f t u f t t f " o p o " e p w s U " j o " o f t t v o " d b t p " f t t f s f " j o g s j p s f " b " 3 1 " d n / " P d d p s s f o e p " j n q p t u b s f " v p r u f " p e " b s d i j " t v " q j f e s j u j f t j t u f o u j " t j " e p w s b o o p " q s f q b s b s f " q s f w f o u j w b n f o u f " j " q j b o j " e j " j n q p t u b " n f e j b o u f " j " r a v p s j " d i f " t b s b o o p " o f d f t t b s j - f " d i f " t p o p " d p n q s f t j " g s b " h i j l p o f s j " b " d b s j d p " e f r m q q b r u b u p s f / " Q f s " r f i " v p r u f " p c r j n v f " - j " n b u p o j " e f c c p o p " f t t f s f u b h r j b u j " t v r f i " u f t u f " f " e j t q p t u j " t f h v f o e p " r b i " j o f b " q s f t d s j u b /

Of rfi" n vsbwuf " ej" n bupoj" qj oj" n f ttj" jo" ghrjhp" p" ej" dptub" n vsbu" dpo" df n f oup" b" qspoub" qsf tb" qf s gsn bEjpopf " ej" vpruf " b" cpuf " - b" dspdjf sb " - b" qbejhjhp of " - b" w r b i " - f d d / - f " q f s " v p r u f " e j " t d b r i " b m b i " s p n b o b " t b s b o o p f t f h v j u f " u w u f " r f i " o p s n f " f " d b v u f r f i " d i f " r b s u f " t q f d j b r i " e e b " q s f t d s j w f " - j o " n p e p " e b " p u f o f s f " v o b " q f s g u b " s j v t d j u b e f j " r a v p s j /

Tv rfi" vpruf "tbsboop" gsn buj" j" sf hprtsj" sjogbodi j" gop" b r i j w f r p " e f r f i t u s b e p t t p " j o " d i j b w f " - d p o " c v p o b " n v s b w s b j o " n b r b " j o " d p s s j t q p o e f o e b " e f r f i " q b s f u j " t v q f s j p s j f " d p o " d b r i f t u s v e e p " q f s " j r t s f t u p /

M "tpqsbjoejdbuf "vpruf" jo" ghrjhp" epwsboop" f t t f s f " sjogpsEub " - p w " p d d p s s b - e b " h i j f s f " p " d t d f " e f r b i " h s p t t f E b e j " v o b " u f t b " e j " n b u p o j " d p r i n h b u f " b m b i " v p r u f " e v s b o u f " r b i " d p t u s v j p o f /

Qf s" rfi" vpruf " f " hijl bsdj j" ej" r vbrtjbtj" obuwuf " rmqousbepttp" " o p o " q s p d f e f s U " b r t e j t b s n p " t f o e b " j r h q s f w f o u j v p b t t f o t p " e f r b i " E j s f E j p o f " e f j " M b w p s j / " M " d f o u j o b u w s f " t b s b o o p " b c c b t t b u f " r f i o u b n f o u f " f e " v o j g s n f n f o u f " q f s " u w u b r b i " r a s h i f E " b " - f v j u b o e p " t p q s b u w u p " d i f " q f s " v o b " q b s u f " j r h v p r o p " s j n b o h b " q s j w p " e j " b a q p h h j p " - n f o u s f " r b i " a " t p t u f o v u b " e b m q o u s b u w s b /

**Art. 8.9**  
**MURATURE E RIEMPIMENTI IN PIETRAMA A SECCO - VESPAI**

**8.9.1) Vespai e Intercapedini**

Of j" rpbrijl" jo" hf of sf "j" dvj" qbvjn f ouj" w sf ccf sp" b" uspbstj" jo" dpoubup" dpo" jrhu" ssf op" obuw s b r f i " q p u s b o o p f t t f s f " p s e j o b u j " w t a q j " j o " q j f u s b n f " p " j o u f s d b q f e j o j " j o " r a u f s j e j p / " K o " p h o j " d b t p " j r h u s s f o p " e j " t p t u f h o p " e j " u b r j l p q f s f e p w s U " f t t f s f " e f c j u b n f o u f " t a j b o b u p " - c b h o b u p " f " c f o " c b u w u p " q f s f w j u b s f " r v b r t j b t j " d f e j n f o u p /

Qf s" j" w t a q j " e j " q j f u s b n f " t j " e p w s U " g s n b s f " b o e j u w u p " j o " d j b t d v o " b n c j f o u f " v o b " s f u f " e j " d v o j d p r j l e j " w f o u j r b e j p o f - d p t u j w j u b " e b " d b o b r f u j " q b s b m r i j l b w f o u j " j o u f s b t t f " n b t t j n p " e j " 2 - 6 1 " n < f t t j " e p w s b o o p " d p s s f s f " b o d i f " m o h p " u w u f r f i " q b s f u j " e f t t f s f " d p n v o j d b o u j " u s " r p s p / " E f u j " d b o b r j l e p w s b o o p " b w s f " t f e j p o f " o p o " n j o p s f " e j " 2 6 " d n " y " 3 1 " d n " e j

brf eeb" f e"vo"tv gijf ouf "t c p d d p" b n o q f sup-"jo"n pep"eb"bttjdvsbsf "j r t s j d b n c j p" e f n o s j b /

**Art. 8.10**  
**OPERE E STRUTTURE DI CALCESTRUZZO**

**8.10.1) Generalità**

**Impasti di Calcestruzzo**

Hij"ijn qbt u"ej" d b r d f t u s v e e p " e p w s b o o p " f t t f s f " f t f h v j u " j o " d p o g s n j u " e j " r v b o u p " q s f w j t u p " e b r t E / N / " 2 8 " h f o o b j p 3 1 2 9 " f " e b r n " s f r b u j w f " o p s n f " v j h f o u j /  
M b " e j t u s j c v e j p o f " h s b o v r p n f u s j d b " e f h r j t j o f s j - " j r t j q p " e j " d f n f o u p " f " r a " d p o t j t u f o e b " e f n o j n q b t u p - " e f v p o p " f t t f s f b e f h v b u j " b n o " q b s j d p r b s f " e f t j o b e j p o f " e f r t h f u p " f e " b r t q s p d f e j n f o u p " e j " q p t b " j o " p q f s b " e f r t d p o h r p n f s b u p /  
K t h r v b o u j u b u j w p " e ( b d r v b " e f w f " f t t f s f " j r t n j o j n p " o f d f t t b s j p " b " d p o t f o u j s f " v o b " c v p o b " r t a w p s b c j r j u " e f m d p o h r p n f s b u p " u f o f o e p " d p o u p " b o d i f " e f n o b d r v b " d p o u f o v u b " o f h j t j o f s j /  
Q b s u f o e p " e b h j i f r i n f o u j " h j u " g t t b u j " j r t s b q q s u p " b d r v b . d f n f o u p - " f " r v j o e j " j r t e p t b h h j p " e f r t d f n f o u p - " e p w s u f f t t f s f " t d f r o j " s f r b e j p o f " b n o " s f t j t u f o e b " s j d i j f t u b " q f s j r t d p o h r p n f s b u p /  
M j n q j f h p " e f h j l b e e j u j w j " e p w s u f f t t f s f " t v c p s e j o b u p " b n o b d d f s u b n f o u p " e f n o " b t t f o e b " e j " p h o j " q f s j d p r p " e j b h h s f t t j v j u " f " e f v p o p " f t t f s f " d p o g s n j " b n o " o p s n b " f v s p q f b " b s n p o j e e b u b " V O K ' F O " : 4 5 . 3 /  
M b d r v b " e j " j n q b t u p - " j w " d p n q s f t b " r t d r v b " e j " s j d j p r - " e p w s u f f t t f s f " d p o g s n f " b n o " o p s n b " V O K ' F O " 2 1 1 9 /  
M j n q b t u p " e f w f " f t t f s f " d u p " d p o " n f e e j " j e p o f j " f e " j r t e p t b h h j p " e f j " d p n q p o f o u j " f t f h v j u p " d p o " n p e b r j u " b u f " b h s b o u j s f " r a " d p t u b o e b " e f r t a s p q s e j p o b n f o u p " q s f w j t u p " j o " t f e f " e j " q s p h f u p /  
O f j " d b r d f t u s v e e j " a " b n n f t t p " r j n q j f h p " e j " b h h j v o u f - " j o " q b s j d p r b s f " e j " d f o f s j " v p r b o u j - " r p q q f " h s b o v r b u f e ( b r o g s o p " f " g y n j " e j " t j r j d f - " q v s d i e " o p o " o f " w f o h b o p " n p e j g d b u f " o f h b y w b n f o u f " r n " d b s b u f s j t u j d i f " q s f t u b e j p o b r j /  
M " d f o f s j " v p r b o u j " e f v p o p " t p e e j t d s f " j " s f r v j t j u " e f n o " o p s n b " f v s p q f b " b s n p o j e e b u b " V O K ' F O " 5 6 1 . 2 / " Q f s r " v b o u p s j h v b s e b " r j n q j f h p " t j " q p u s u d s f " v u j r n " s j f s j n f o u p " b j " d s j u f s j t u b c j r j u j " e b r n " o p s n f " V O K ' F O " 3 1 7 " f e " V O K ' 2 2 2 1 5 /  
K " g y n j " e j " t j r j d f " e f v p o p " t p e e j t d s f " j " s f r v j t j u " e f n o " o p s n b " f v s p q f b " b s n p o j e e b u b " V O K ' F O " 2 4 3 7 4 . 2 /  
Q f s j " d b r d f t u s v e e j " q s f d p o g e j p o b u j " t j " d " s j f s j n f o u p " b n o " o p s n b " V O K ' F O " 3 1 7 /

**Controlli sul Calcestruzzo**

Q f s j " d p o u s p r i j t v r t d b r d f t u s v e e p " d j " t j " b u f s s u j " b " r v b o u p " q s f w j t u p " e b r t E / N / " 2 8 " h f o o b j p " 3 1 2 9 /  
K t h d b r d f t u s v e e p " v j f o f " j o e j w e v b u p " u s b n j u f " r a " s f t j t u f o e b " d b s b u f s j t u j d b " b " d p n q s f t t j p o f " t f d p o e p " r v b o u p t q f d j g d b u p " o f r t t v e e f u p " E / N /  
K t h d b r d f t u s v e e p " e f w f " f t t f s f " q s p e u p " j o " s f h j n f " e j " d p o u s p r i j t v r t d b r d f t u s v e e p " e j " r v b r j u " d p o " r p " t d p q p " e j " h s b o u j s f " d i f " s j t q f u j r n " q s f t d s j e j p o j " e f g o j u f " j o " t f e f " e j " q s p h f u p /  
K t h d p o u s p r i j t v r t d b r d f t u s v e e p " e j " r v b r j u " e f r t d b r d f t u s v e e p " t j " b s j d p r b " o f r n i " t f h v f o u j " d t j ;  
. " W b r u b e j p o f " q s f r j n j o b s f " e f n o " s f t j t u f o e b <  
. " D p o u s p r i j t v r t d b r d f t u s v e e p " e j " q s p e v e j p o f  
. " D p o u s p r i j t v r t d b r d f t u s v e e p " e j " b d d f u b e j p o f  
. " Q s p w f " d p n q r f n f o u b s j  
M " q s p w f " e j " b d d f u b e j p o f " f " r n " f w f o u w b r j l q s p w f " d p n q r f n f o u b s j - " d p n q s f t j " j " d b s p u b h h j - " t p o p " f t f h v j u f " f d f s j g d b u f " e b j " t a c p s b u p s j " e j " d v j " b n o " s u " 6 : " e f r t e / Q / S / " o / " 4 9 1 0 3 1 1 2 /  
K t h d p t u s v u p s f " s f t u b " d p n v o r v f " s f t q p o t b c j r f n " e f n o " r v b r j u " e f r t d b r d f t u s v e e p " q p t u p " j o " p q f s b - " d i f " t b s u d p o u s p r i j t v r t d b r d f t u s v e e p " e f j " M o w p s j - " t f d p o e p " r n " q s p d f e v s f " e j " d v j " b r t q v o u p " 2 2 / 3 / 6 " e f r t E / N / " 2 8 " h f o o b j p " 3 1 2 9 /

**Resistenza al Fuoco**

M " w f s j d i f " e j " s f t j t u f o e b " b r t g y p d p " q p u s b o o p " f t f h v j s t j " d p o " s j f s j n f o u p " b " V O K ' F O " 2 : : 3 . 2 . 3 /

**8.10.2) Norme per il cemento armato normale**

O f n o " f t f d v e j p o f " e f n o " p q f s f " e j " d f n f o u p " b s n b u p " o p s n b r n " r b q q b r d b u p s f " e p w s u f " b u f o f s t j " b " r v b o u p " d p o u f o v u p o f r t e / Q / S / " 4 9 1 0 3 1 1 2 " f " t / n / j / - " o f n o " o p s n f " u f d o j d i f " e f r t E / N / " 2 8 " h f o o b j p " 3 1 2 9 " f " o f n o " s f r b u j w b " o p s n b u j w b v j h f o u f /

**Armatura delle travi**

O f h j l b q q p h h j " e j " f t u s n j u " b n o j o u s b e p t t p " e f w f " f t t f s f " e j t q p t u b " v o ( b s n b u w s b " f g j d b d f n f o u f " b o d p s b u b d b r d p r a u b " d p f s o u f n f o u f " d p o " j r t n p e f m p " b " u s b r j d j p " b e p u b u p " q f s " j r t u b h r j p " f " r v j o e j " b q q r j a l b o e p " r a " s f h p r a " e f n o u s b t r a e j p o f " e f n o " s j t v r b o u f " e f n o " u s b e j p o j " e p w w f " b r t n p n f o u p " g r n u f o u f - " j o " g y o e j p o f " e f n o " h o h p r p " e j " j o d j o b e j p o f

bttvoup"qf s'rfn"cjf rfn"dpn qsf ttf "ej"dbndf tusv€€p/

M "usbw"ef wpop"qsf wf ef sf "bsn buwbs"usbtwf stbrfn"dpt yw jub"eb"tubgg "dpo"tf €jpop "dpn qrfnttjwb"opo"jof sjpsf be"BtU">"2-6"cn n 3On "fttf oep"cn"rn"tqf ttpsf "n jojn p"ef rnb"ojn b"jo"n jrnjn f usj"dpov"vo"n jojn p"ej"usf "tubgg "bm n f usp" f "dpn vor vf "qbttp"opo"tvqf sjpsf "b"1-9"vprf "rnb" €€b"vujrf"ef rnb"tf €jpop /  
Ko"phoj"dbtp"bm f op"jrn1& "ef rnb"bsn buwbs"of df ttbsjb"qf s"jrn"bhjrp"ef wf "fttf sf "dpt yw jub"eb"tubgg /

**Armatura dei pilastri**

Of rhdtp"ej" f rfn f ouj" t pupqpt y" b" qsf wbrfnouf " t gpe€p" opsn brfn" rfn" cbssf " qbsbnrnrn" bnd"ttf " ef wpop" bwf sf ejbn f usp"n bhjpsf "pe"vhvbrfn"b"23"n n "f "opo"qpusboop"bwf sf "jof sbttj"n bhjpsj"ej"411"n n /  
M "bsn buwbs" usbtwf stbrj"ef wpop"fttf sf "qpt uf "be"jof sbttf "opo"n bhjpsf "ej"23"vprf "jrn"ejbn f usp"n jojn p ef rfn"cbssf "jn qjf hbu" qf s"rnb"bsn buwbs"rphjwejobrfn"dpov"vo"n bttjn p"ej"361"n n /"Krn"ejbn f usp"ef rfn"tubgg "opo ef wf "fttf sf "n jopsf "ej"7"n n "f "ej" "ef rjn"ejbn f usp"n bttjn p"ef rfn"cbssf "rphjwejobrj/

**Copriferro e interferro**

Mbsn buwbs"sf tjtuf ouf "ef wf "fttf sf "qspuf ub"eb"vo"bef hvbup"sjdpqsjn f oup"ej"dbndf tusv€€p/  
Bth"jof " ef rnb" qspuf €jpop " ef rfn" bsn buwbs" ebnd" dpsstjpopf "-" rpn" tusbup" ej" sjdpqsjn f oup" ej" dbndf tusv€€p )dpqsjg ssp\*" ef wf "fttf sf "ejn f otjpopub" jo" gpe€jpopf "ef rnb"phsf ttjwju" ef rnb"on cjf ouf "f "ef rnb"tf otjczjju" ef rfn bsn buwbs" bnd" dpsstjpopf -"uf of oep"bodi f "dpoup"ef rfn"uprn"so€f "ej"qptb"ef rfn"bsn buwbs" /  
Qf s" dpotf ouj" f "vo" pn phf of p" hf up" ef rhdndf tusv€€p-"jrn"dpqsjg ssp" f " rjof sf ssp" ef rfn" bsn buwbs" ef wpop f ttf sf "sbqqpsbu" bnd"ejn f otjpopf "n bttjn b"ef rjn"jof s"jn qjf hbu/  
Krn"dpqsjg ssp" f " rjof sf ssp" ef rfn" bsn buwbs" ef wpop"fttf sf "ejn f otjpopub"bodi f "dpo"sjg sjn f oup"brf of df ttbsjp tvjrn"qap"ef rfn"uf otjpoj"ej"bef sf o€b"dpov"jrn"dbndf tusv€€p/

**Ancoraggio delle barre e loro giunzioni**

M " bsn buwbs" rphjwejobrj" ef wpop" f ttf sf " jof sspuf " pwwf sp" t pwsbqqptuf " qsf g sjcjm f ouf " of rfn" €pof dpn qsf ttf "p"ej"n jopsf "tprn"ndjub€jpop /  
Mb"dpoujovju"gsb"rfn"cbssf "qvi" f gfwbstj"n f ejbouf ;  
." t pwsbqqptj€jpop "-" dbnd"rnb" jo" n pep" eb" bttjdvbsf " rnb"odpsbhjrp" ej" djbt dvob" cbssb/" Ko" phoj" dbtp" rnb mohi f €€b"ej"t pwsbqqptj€jpop of rnb"usbu"sf ujrjof p"ef wf "fttf sf "opo"n jopsf "ej"31"vprf "jrn"ejbn f usp"ef rnb cbssb/"Mb"ejt ubo€b"n vub")jof sf ssp\*"of rnb"t pwsbqqptj€jpop "opo"ef wf "tvqf sbf "5"vprf "jrn"ejbn f usp<  
." t brebwbs "-" f tf hvju" jo" dpogpsn ju" bnd" opsn f "jo" wjhsf "tvrn"t brebwbs" /" Ef wpop" f ttf sf " bddf subf " rnb t brecjju"ef rjn"b ddbj"di f "wf ohpop"jn qjf hbu-"opodi è"rnb"dpn qbucjju"gsb"n f ubrn" f "n f ubrn"ej"bqqpsup of rfn"qptj€jpoj"p"dpoej€jpoj"pqf sbujw"qsf wjt uf "of rnb"qshf up"fttf dvujvp<  
." hvo€jpoj"n f ddbojdi f "qf s"cbssf "ej"bsn buwbs/"Ubrj"rhjvo€jpoj"t pop"r vbrjgdbuf "tf dpoe"r vboup"joejdbup"bm qvoup"22/4/3/: "ef rnb" /N/"28"hf oobjp"3129/  
Qf s" cbssf " ej" ejbn f usp" ÉA43" n n " pddpsf sù" bepubsf " qbsjcdprbsj" dbvuf rfn" of rjn" bodpsbhj" f " of rfn t pwsbqqptj€jpoj/  
Of rnb"ttf n rnb"bhjrp" p" vojpopf " ej" evf " cbssf " p" f rfn f ouj" ej" bsn buwbs" ej" bddbjp" qf s" dbndf tusv€€p" bsn bup qpttpop"fttf sf "vtb" hvo€jpoj"n f ddbojdi f "n f ejbouf "n bojdpw"di f "hbsb"out dbop"rnb"dpoujovju"/"M " hvo€jpoj n f ddbojdi f "qpttpop"fttf sf "qshf ubuf "dpo"sjg sjn f oup"b"opsn bujw"p"epdvn f ouj"ej"dpn qspwub"vbrjju/

Uvuj" j" qshf uj" ef wpop" dpouf of sf " rnb" ef tdsj€jpopf " ef rfn" tqf djgdi f " ej" f tf dv€jpopf " jo" gpe€jpopf " ef rnb qbsjcdprbsju"ef rnb"qf sb"ef rnb"rn b"ef rnb"uf doprphj"b"dpt usvujwb/  
Ko" qbsjcdprbsf " jrn"epdvn f oup" qshf ubvbrfn" ef wf " dpouf of sf " rnb" ef tdsj€jpopf " ef ubhrijub" ef rfn" dbvuf rfn" eb bepubsf "qf s"rjn"qbt y-"qf s"rnb"n buwbs€jpopf "ef j"hf uj-"qf s"jrn"ejt bsn p" f "qf s"rnb"n f ttb"jo"pqf sb"ef rjn"rfn f ouj tusvuwbrj/"Bobrph"buf o€jpopf "epwsù"fttf sf "qptub"of rnb"qshf ub€jpopf "ef rfn"bsn buwbs"qf s"rnb"vboup"sjhvseb;"rnb ef gpe€jpopf "ef rfn"qptj€jpoj-"rnb"uprn"so€f "ej"fttf dv€jpopf "f "rnb"n pebrju"ej"qjf hbuwbs/"Tj"qpusù"b"ubrtjof "gdf "vujrn sjg sjn f oup"bnd"opsn b"VOK'FO"24781"of dv€jpopf "ej"tusvuwbs"ef "ej"dbndf tusv€€p%

**8.10.3) Responsabilità per le opere in calcestruzzo armato e calcestruzzo armato precompresso**

Of rnb"tf dv€jpopf " ef rfn" pqf sf " jo" df n f oup" bsn bup" opsn brfn" f " qsf dpn qsf ttp" rnb"qqbrnb"upsf " epwsù" buf of stj tusf ubn f ouf "b"uwuf "rnb"ejtqptj€jpoj"dpouf ovuf "of rnb"/Q/S/"49103112" f "t/n /j/-" f "of rnb" opsn f "uf dojdi f "wjhf ouj )VOK'FO'2: : 2.2.7\*/  
Of rnb"€pof "tjn jdi f "wbrn"pop"rnb"opsn f "uf dojdi f "f n bobuf "jo"gs€b"ef rnb"/Q/S/"49103112" f "t/n /j/-" f "ef rnb" /N/ 28"hf oobjp"3129/  
Uvuj"j" rnb"wsj"ej"df n f oup" bsn bup" gdf ouj" qbsf "ef rnb"qf sb"bqqbrnb"ub-"tbsboop" f tf hvju"jo"cbtf "bj"dbnd"rjn"ej tbcjju" bddpn qbhouj"eb"ejtf hoj"fttf dvujw" f "eb"vob"sf rnb"€jpopf "-"di f "epwsboop"fttf sf "sf ebuw" f "gsn buj"eb"vo uf dojdp"bcjju"ub"jt dsjup"bnd"brap-"f "di f "rnb"qqbrnb"upsf "epwsù"qsf tf ousf "bnd" Ejsf €jpopf "ef j"b"wsj" f oup"jrn" sn jof

di f "hijwv ssj" qsf t dsjup-"buf of oepjt" bhrjt di f n j" f "ejt f hoj" ddf ouj" qbsf "ef rtsphf up" f e "brnhby" brrdpousbu" p  
brn" opsn f "di f "hijwv ssboop" jn qbsuf -"b" t v b" sdi jf t ub-"brn" up" ef rta" d pot f hob" ef j" rtwpsj/  
Mf tbn f "f" w" s jgd b" eb" qbsf "ef rta" Ejsf E j pof "ef j" Mwpsj" ef j" qsphf u j" ef rta" vbsj "t usv u w s f" "jo" d f n f oup" bsn bu p  
opo" f t pof sb" jo" brn" o" n pep" rta" Bqqbrubpsf "f" jrt qsphf ujt ub" ef rta" t usv u w s f " ebrn" s f t qpot bcjru" rpsp" ef sjw bou" qf s  
rnhhf "f" qf s" rta" qsf d j t f " q b u w j E j p o j" e f r t d p o u s b u p /

Uvuj" j" qspepuj" f Op" n buf s j b r j t e j" d v j" b r t q s f t f o u f " b s j d p r p -" r v b r p s b" q p t t b o p" f t t f s f " e p u b y" e j" n b s c d w s b" D F  
t f d p o e p" r t a" o p s n b u j w b" u f d o j d b" v j h f o u f -" e p w s b o o p" f t t f s f " n v o j u" e j" u b r n" n b s d i j p /

#### 8.10.4) Calcestruzzo di aggregati leggeri

Of rta" f t f d v E j p o f " e f r t a" p q f s f " j o" d v j" t p o p" v u j n E e u j" d b r d f t u s v E e j" b h h s f h b u j" r n h h f s j" n j o f s b r j a" b s j g d j b r j t p  
o b u w s b r j a" d p o" f t d m t j p o f " e f j" d b r d f t u s v E e j" b f s b u j" r t a" B q q b r u b p s f " e p w s u" b u f o f s t j" b" r v b o u p" d p o u f o v u p" o f r t e / Q / S /  
49103112" f " t / n / j / -" o f r t a" o p s n f " u f d o j d i f " e f r t E / N / " 28" h f o o b j p " 3129" f " o f r t a" s f r t u j w b" o p s n b u j w b" v j h f o u f /  
Q f s" r t a" d b t t j" e j" e f o t j u" f " e j" s f t j t u f o e b" o p s n b r j e e u f " q v i " d o s t j" v u j r n" s j g s j n f o u p" b" r v b o u p" s j q p s u b u p" o f r t a  
o p s n b " V O K F O " 317 /  
V b r n p o p" r t a" t q d j g d i f " q s f t d s j E j p o j" t v r t d p o u s p r p" e f r t a" r v b r j u" e b u f " o f j" q v o u j" 5 / 2 " f " 22 / 2 " e f r t E / N / " 28" h f o o b j p  
3129 /

### Art. 8.11 STRUTTURE IN ACCIAIO

#### 8.11.1) Generalità

M "t usv u w s f" e j" b d d j b j p" e p w s b o o p" f t t f s f " q s p h f u b u f " f " d p t u s v j u f " u f o f o e p" d p o u p" e j" r v b o u p" e j t q p t u p" e b r t e / Q / S /  
49103112" f " t / n / j / -" e b r t E / N / " 28" h f o o b j p " 3129 -" e b r n" d j s d p r b s j" f " s f r t u j w f" o p s n f " v j h f o u j /  
K" n b u f s j b r j t f " j" q s p e p u j" e f w p o p" s j t q p o e f s f " b j" s f r v j t j u" j o e j d b u j" o f r t q v o u p" 22 / 4 " e f r t E / N / " 28" h f o o b j p " 3129 /  
M B q q b r u b p s f " t b s u" u f o v u p" b" q s f t f o u s f " j o" u f n q p" v u j r n" q s j n b" e f r t a" q a s p w j h j p o b n f o u p" e f j" n b u f s j b r j a  
b r n" t b n f " f e " b r n" q a s p w b E j p o f " e f r t a" E j s f E j p o f " e f j" M w p s j ;  
b\* h r j t f r t c p s b u j" q s p h f u w b r j t f t f d v u j w" e j" d b o u j f s f -" d p n q s f o t j w j" e f j" e j t f h o j" f t f d v u j w" e j" p g j d j o b -" t v j" r v b r j a  
e p w s b o o p" f t t f s f " s j q p s u b u f " b o d i f " r t a" e j t u o u f " e b" d v j" s j t v r j o p ; " o v n f s p -" r v b r j u" e j n f o t j p o j -" h s b e p" e j  
g o j u w s b" f " q f t p" u f p s j d j" e j" d j b t d v o" f r t a" f o u p" d p t u j w f o u f " r t a" t u s v u w s b -" o p o d i e" r t a" r v b r j u" e f h r j t b d d j b j" e b  
j n q j f h b s f <  
c\* u w f " r t a" j o e j d b E j p o j" o f d f t t b s j f " b r n" d p s s f u b" j n q p t u b E j p o f " e f r t a" t u s v u w s f " n f u b r j a d i f " t v r n" p q f s f " e j  
g p o e b E j p o f /  
K" t v e e f u j" f r t c p s b u j" e p w s b o o p" f t t f s f " s f e b u j" b" d v s b" f " t q f t f " e f r t a" B q q b r u b p s f /

#### Requisiti per la Progettazione e l'Esecuzione

##### Spessori limite

E" w j f u b u p" r t p" e j" q s p g i r u j" d p o" t q f t t p s f " u = " 5" n n /  
V o b" e f s p h b" b" u b r n" o p s n b -" g o p" b e" v o p" t q f t t p s f " u > " 4 n n -" a" d p o t f o u j u b" q f s" p q f s f " t j d v s b n f o u f " q s p u f u f  
d p o u s p" r t a" d p s s p t j p o f -" r v b r j t q f s" f t f n q j p" u w c j" d i j v t j" b r n" f t u s f n j u" f " q s p g j j E j o d b u j -" p e" p q f s f " o p o" f t q p t u f " b h r j a  
b h f o u j" b u n p t g s j d j /  
M " r j m j u b E j p o j" e j" d v j" t p q s b" o p o" s j h v b s e b o p" f r t a" f o u j" f " q s p g j j t b h p n b u j" b" g f e e p /

##### Acciaio incrudito

E f w f " f t t f s f " h j v t u j g d b u p" n f e j b o u f " t q f d j g d b" w b m u b E j p o f " r j n q j f h p" e j" b d d j b j p" j o d s v e j u p" j o" p h o j" d b t p" j o" d v j" t j  
q s f w f e b" r t a" q r t u j d b E j p o f " e f r t a" b u f s j b r n" ) b o b r j t j" q r t u j d b -" b E j p o j" t j t n j d i f " p" f d d f E j p o b r j a" f d d / \* " p" q s f v b r n b o p" j  
g f o p n f o j" e j" d u j d b /

##### Giunti di tipo misto

K o" v o p" t u f t t p" h j v o u p" a" w j f u b u p" r j n q j f h p" e j" e j g f s f o u j" n f u p e j" e j" d p r n h b n f o u p" e j" g p s e b" ) b e" f t f n q j p  
t b r e b u w s b" f " c v m p o b u w s b \* -" b" n f o p" d i f " v o p" t p r p" e j" f t t j" t j b" j o" h s b e p" e j" t p q q p s b s f " r j o u f s p" t g p s e p -" p w w f s p" t j b  
e j n p t u s b u p -" q f s" v j b" t q f s j n f o u b r n" p" u f p s j d b -" d i f " r t a" e j t q p t j E j p o f " d p t u s v u j w b" a" f t f o u f " e b r t q f s j d p r p" e j" d p r n t t p  
q s f n b u w s p" b" d b u f o b /

## Problematiche specifiche

P nsf "brn"opsn f "ef rE/N/"28"hf oobjp"3129-"jo"sf rEjpop "b;  
. "Qsf qbsbEjpop "ef rIn buf sbrfn-  
. "UprnsboE "ef hrjlf rfn f ouj"t usvwsbrjEj"pccsjdbEjpop "f "ej"n poubhjhp-  
. "Kn qjf hp"ef j"gf ssj"qjbuj-  
. "WbsbEjpoj"ej"tf Ejpop -  
. "Kouf stf Ejpoj-  
. "Dprnhbn f ouj"b"ubhrj"p"o"cvmpoj"opsn brjlf "di jpej-  
. "UprnsboE "gsp""cvmpof /"kouf sbttj"ef j"cvmpoj"ef "ef j"di jpej/"Ejt uboE "ebj"n bshjoj-  
. "Dprnhbn f ouj"be"busjup"p"o"cvmpoj"be"brnb"sf tjt uf oE-  
. "Dprnhbn f ouj"t brEj-  
. "Dprnhbn f ouj"qf s"dpoubup-  
tj"qvi "gds"sgf sjn f oup"b"opsn bujv "ej"dpn qspwub"vbrjEj/

## Apparecchi di appoggio

Mb"dpodf Ejpop "t usvwsbrfn"ef wf "qsf wf ef sf "gdjru"ej"tpt ujuEjpop "ef hrjlbqqbsf ddi j"ej"bqqphjhp-"of rEbt p"jo dvj"r vf tuj"bccjpop"vjb"opn jobrfn"qj"csf wf "ej"r vf rnb"ef rnb"dpt usvEjpop "brnb"r vbrfn"t pop"dpoofttj/

## Verniciatura e zincatura

Hrjlf rfn f ouj"ef rfn"t usvwsf "jo"bddbjp-"b"n f op"di f "tjbop"ej"dpn qspwub"sf tjt uf oE"brnb"dpssjtjpop "-"ef wpop f ttf sf "bef hvbubn f ouf "qspuf ujn" f ejbouf "wf sojdjbusb"p"Ejodbusb-"uf of oep"dpoup"ef rEjqp"ej"bddbjp-"ef rnb"t vb qptjEjpop "of rnb"t usvwsb" f "ef rnb"on cjf ouf "of rnr vbrfn"à" dprncbup/" Ef wpop" f ttf sf "qbsjdpnsn f ouf "qspuf ujn"j dprnhbn f ouj"cvmpobuj")qsf dbsjdbuj" f "opo"qsf dbsjdbuj\*"jo"n pep"eb"jn qf ejsf "r vbrjbtj"jogrsbEjpop "brn"ouf sop ef rEprnhbn f oup/

Bodi f "qf s"hrjlbddbj"p"o"sf tjt uf oE"brnb"dpssjtjpop "n jhrjpsub")qf s"j"r vbrjEj" "gds"vujr"sgf sjn f oup"brnb opsn b"VOKFO"21136.6\*"ef wpop"qsf wf ef stj"pwf "of df ttbsj-"qspuf Ejpop"n f ejbouf "wf sojdjbusb/

Of rEbt p"ej"qbsuj"jobddf ttjcjr"p"qspgjr"b"tEjpop "di jvtb"opo"fn sn f ujbun f ouf "di jvtj"brn"ftuf n jU-"epwsboop qsf wf ef stj"bef hvbuj"t pvsbtqftpsj/

Hrjlf rfn f ouj"ef tujobuj"be"fttf sf "jodpsqpsuj"jo"hf ujn"ej"dbrd"t usvEjpop"opo"ef wpop"fttf sf "wf sojdjbusb;"qptt pop f ttf sf "jowf df "Ejodbusb"dbrep/

## Controlli in Corso di Lavorazione

MBqqbrubpsf "epws"j"fttf sf "jo"hsbep"ej"joejvjevbsf "f "epdvn f oubsf "jo"phoj"n pn f oup"rnb"qspwf ojf oE"ef j n buf sbrjEj"qjf hbu"of rnb"rwbpsbEjpop" f "ej"sjt brjsf "bj"dpssjtqpoef ouj"df sujgdbuj"ej"r vbrjEjEjpop "-"ef j"r vbrjEjepwsU f tjcjsf "rnb"dpqjb"b"sjdi jf t ub"ef rnb"Ejsf Ejpop "ef j"Mbwpjs/

Brnb"Ejsf Ejpop "ef j"Mbwpjs"à"sjt svub"dpn vor vf "rnb"gdpru"ej"ftf hvjsf "jo"phoj"n pn f oup"ef rnb"rwbpsbEjpop wuj"j"dpousprj"di f "sjuf ssU"pqqsuwoj"qf s"bddf subf "di f "j"n buf sbrjEj"qjf hbu"tjbop"r vf rjlf df sujgdbuj-"di f "rnb"t usvwsf "tjbop"dpogpsn j"bj"ejtf hoj"ej"qsphf up"di f "rnb"tuf ttf "tjbop"ftf hvjuf "b"qf sgf ub"sf hprb"e(bsuf /

P hoj"vprnb"di f "rnb"t usvwsf "n f ubrjdi f "rwbpsb"tj"sf oepop"qspouf "qf s"rnb"rwbpsb"MBqqbrubpsf "jogpsn f sU"rnb"Ejsf Ejpop "ef j"Mbwpjs-"rnb"r vbrfn"eb"sjt qptub" f oups"9"hjpsoj"gttboep"rnb"ebub"ef rnb"rwbpsb"jo"dpousbeejupsjppqqvsf "bvupsjEjboep"rnb"t qf EjEjpop "ef rnb"t usvwsf "tuf ttf "jo"dbouj sf /

## Identificazione e Rintracciabilità dei Prodotti Qualificati

P hoj"qspewup"ef wf "fttf sf "n bsd"jbu"p"o"jef oujgdbujv"ejw stj"eb"r vf rjlf ej"qspewuj"bwf ouj"ejgf sf ouj dbsbuf sjt udi f "-"n b"pccsjdbuj"of rnb"tuf ttp"tbcjrjn f oup" f "dpo"jef oujgdbujv"ejgf sf ouj"eb"r vf rjlf ej"qspewuj"pou vhrjEj dbsbuf sjt udi f "n b"pccsjdbuj"jo"brns"tbcjrjn f ouj"tjbop"fttj"p"n f op"ef rnb"tuf ttp"qspewupsf /" Mb n bsd"jbusb"ef wf "fttf sf "jobrnf sbcjrnf"of rnb"n qp"ftf oE"qpttjcjrj"ej"n bopn jttjpop /

Mb"n bodub"n bsd"jbusb-"rnb"opo"dpssjtqpoef oE"b"r vbou"ef qptjubup"p"rnb"t vb"jrnhhjEjru"bodi f "qbsEjbrfn-sf oepop"rnb"qspewup"opo"jn qjf hbcjrnf/

Rvbrpsb-"tjb"qsf ttp"hrjlvujEjEjpop-"tjb"qsf ttp"j"dpn n f sdjbu-"rnb"ouj"n bsd"jbusb")qf Eep"tjohprp"p"dot djp\* wf ohb"tdpsqpsub-"qf s"dvj"vob"qbsuf -"p"rnb"up-"qf seb"rnb"rnb"jbrfn"n bsd"jbusb"ef rnb"qspewup"à"sf tqpotbcjrj"tjb ef hrjlf vujEjEjpop"tjb"ef j"dpn n f sdjbu"epdvn f oubsf "rnb"qspwf ojf oE"n f ejbouf "j"epdvn f ouj"ej bddpn qbhubn f oup"ef rnb"buf sbrfn"hrjlf tuf n j"ef rnb"qptjup"ef rnb"bsd"jp"qsf ttp"rnb"rwbpsb"Uf dojdp"Df oubrfn/

Of rnb"sjn p"dbt p"j"dbn qjpoj"ef tujobuj"brnrwbpsb"jodbsjdbup"ef rnb"qspwf "ej"dbouj sf "ef wpop"fttf sf bddpn qbhubuj"eb"rnb"tpqsbjoejdbub"epdvn f ouEjpop "f "eb"vob"ejdi jbsbEjpop "ej"qspwf ojf oE"sjt djbusb"eb"rnb"Ejsf Ejpop "ef j"Mbwpjs-"rnb"vbrfn"sjt vrb"ebj"epdvn f ouj"ej"bddpn qbhubn f oup"ef rnb"buf sbrfn/

MBqqbrubpsf "epws"j"fttf sf "jo"hsbep"ej"joejvjevbsf "f "epdvn f oubsf "jo"phoj"n pn f oup"rnb"qspwf ojf oE"ef j n buf sbrjEj"qjf hbu"of rnb"rwbpsbEjpop" f "ej"sjt brjsf "bj"dpssjtqpoef ouj"df sujgdbuj"ej"r vbrjEjEjpop "-"ef j"r vbrjEjepwsU f tjcjsf "rnb"dpqjb"b"sjdi jf t ub"ef rnb"Ejsf Ejpop "ef j"Mbwpjs/

Brnb"Ejsf Ejpop "ef j"Mbwpjs"à"sjt svub"dpn vor vf "rnb"gdpru"ej"ftf hvjsf "jo"phoj"n pn f oup"ef rnb"rwbpsbEjpop

wuj"j" dpousprj" di f " sjuf ss" pqqpsuwoj" qf s" bddf subf " di f " j" n buf sbrj" jn qjf hbu" tjbop" r vf rj" df sujgdbj- " di f " rñ  
tusvuwf " tjbop" dpogpsn j" bj" ejt f hoj" ej" qsphf up" f " di f " rñ" t f t f " tjbop" f t f hvjuf " b" qf sf ub" sf hprñ" e( bsf /  
P hoj" wprñ" di f " rñ" t usvuwf " n f ubrñ" di f " rñ" wpsbf " t" j" sf oepop" qspouf " qf s" j" t pñ" vep" r" b" qqbñ" ups f " jo gpn s f s" rñ  
Ejsf Ejpof " ef j" Mbwpsj- " rñ" r vbrñ" ebs" s" jt qpt ub" f oup" 9" hpsoj" gt tboep" rñ" ebu" ef rñ" pñ" vep" jo" dpousbeejujpsj-  
pqqvsf " bvupsj" eboep" rñ" t qf e" j" pof " ef rñ" t usvuwf " t f t f " jo" dbouj f /

### Montaggio

Kñ" poubhj" jo" pqf sb" ej" wuf " rñ" t usvuwf " dpt u" wuf ou" djbt dvo" n bovdu" t bs" f g" wub" jo" dpogpsn ju" b  
r vbou- " b" brñ" sjhvbsbep- " à" qsf vjt up" of rñ" s f rñ" pof " ej" dbrñ" p/  
Evsbouf " j" rñ" dsjdp- " j" rñ" sbt qpsup- " rñ" t dsjdp- " j" rñ" ef qpt ju" p" f e" j" rñ" poubhj- " t" j" epws" qpsf " rñ" n bttjn b" dvsb" qf s  
f vjbsf " di f " rñ" t usvuwf " w ohbop" t pwsbt pñ" djubuf " p" ef gpn buf /  
M " qbsj" b" dpoubup" dpo" gvoj- " dbuf of " pe" brñ" pshboj" ej" t pñ" wbn f oup" t bsboop" pqqpsuobn f ouf " qspuf uf /  
Kñ" poubhj" t bs" f t f hvjup" jo" n pep" di f " rñ" t usvuwf " sbhjvohb" rñ" dpoghvsb" e" j" pof " hf pn f usjb" e" j" qsphf up-  
of rñ" s" qf up" ef rñ" t ubup" ej" t pñ" djub" e" j" pof " qsf vjt up" of rñ" qsphf up" n f ef t jn p/  
Ko" qbsjdp" rñ" s f " qf s" r vbou" sjhvbsb" rñ" t usvuwf " b" uswbub- " t" j" epws" dpousprñ" s f " di f " rñ" dpouspsf ddjb" f e" jm  
qpt j" epobn f oup" tvhñ" bqqs f dai j" ej" bqpphj" tjbop" dpogpsn j" brñ" joejdb" e" j" pof " ej" qsphf up- " s" t qf uboep" rñ  
uprñ" sbo" f " qsf vjt up /  
Mb" tbcjju" ef rñ" t usvuwf " epws" f t f s f " bttjdvsbub" evsbouf " wuf " rñ" g" t" j" dpt usvuwf " f " rñ" s jn p" e" j" pof " ef j  
dpñ" rñ" hbn f ou" qspwjt psj" f " ej" brñ" ejt qpt ju" vj" bvt j" b" s" j" epws" f t f s f " gub" t prñ" r vbou" f t t j" s j" v rñ" sboop  
tubjdbn f ouf " tvqf s" vj/  
M" bttf n rñ" h" j" p" f e" j" rñ" poubhj" jo" pqf sb" ef rñ" t usvuwf " epws" f t f s f " f g" wub" t f o" b" di f " w ohb  
jouf sspup" j" rñ" sb" g" dp" ej" dbouj f " tv" rñ" f w ou" brñ" t pu" pt ubouf " t f ef " t usbebrñ" t brñ" c" s f vj" jouf ssv" e" j" pof " evsbouf " rñ  
pqf sb" e" j" pof " ej" t pñ" wbn f oup- " eb" dpodpsebsf " dpo" rñ" Ejsf Ejpof " ef j" Mbwpsj/  
Of rñ" qsphf ub" e" j" pof " f " of rñ" qj f hp" ef rñ" busf e" b" wsf " ej" n poubhj- " rñ" b" qqbñ" ups f " à" u" ovup" b" s" jt qf ubf " rñ  
opsn f - " rñ" qsf t ds" e" j" pof " f e" j" vjodp" rñ" di f " f w ou" brñ f ouf " w" o" j" t f sp" jn qpt u" eb" Fouj- " V" g" dj" f " qf st pof " s" t qpot bcjrn  
sjhvbsbep" brñ" e" j" pof " jouf s f t t b" b- " f e" j" o" qbsjdp" rñ" s f ;  
• qf s" rñ" o" hpn csp" ef rñ" j" l" w" f" j" ef j" dpst" j" e" ( bdr vb<  
• qf s" rñ" t bhpn f " eb" rñ" t djbsf " rñ" c" f s f " of j" t pwsbqqbttj" p" t pupqbttj" ej" t usbef - " bvupt usbef - " g" sspwjf - " usbowj f -  
f dd/<  
• qf s" rñ" jouf s f s f o" e" f " dpo" t f sw" e" j" t pqsbt vprñ" f " ej" t pu" pt vprñ/

### Prove di Carico e Collaudo Statico

Qs jn b" ej" t pupqpsf " rñ" t usvuwf " ej" bddjbj" brñ" qspw" f " ej" dsjdp- " epqp" rñ" rñ" sp" v rñ" b" e" j" pof " jo" pqf sb" f " ej  
sf hprñ" qsjn b" di f " tjbop" bqqrñ" ubuf " rñ" v rñ" f " n boj" ej" w" sojdf - " r vbou" qsf vjt ub- " w" ss" f t f hvjub" eb" qbsf " ef rñ  
Ejsf Ejpof " ef j" Mbwpsj" vob" bddvsbub" vjtjub" qsf rñ" jobsf " ej" wuf " rñ" n f n csbwsf " qf s" dpot ubbsf " di f " rñ" t usvuwf  
tjbop" t ubuf " f t f hvjuf " jo" dpogpsn ju" bj" s f rñ" vj" ejt f hoj" ej" qsphf up- " brñ" cvpof " sf hprñ" e( bsf " f e" b" wuf " rñ  
qsf t ds" e" j" pof " ej" dpousbu /  
P w" ov" rñ" p" t u" t" j" qspdf ef s" u" r vjoej" brñ" qspw" f " ej" dsjdp" f e" brñ" pñ" vep" t ubjdp" ef rñ" t usvuwf < pqf sb" e" j" pof " di f  
w" ssboop" dpoepuf - " b" dvsb" f " t qf t f " ef rñ" b" qqbñ" ups f - " t f dpoep" rñ" qsf t ds" e" j" pof " dpouf ovuf " of j" ef dsf u" n jojt u" s jbrñ  
vjhf ouj" f " of rñ" / QS / 49103112" f " t / n / j /

### 8.11.2 Acciaio per calcestruzzo armato

#### Caratteristiche dimensionali e di impiego

M" bddjbj" qf s" df n f oup" bsn bu" p" à" f t dmt jvbn f ouf " qspewup" jo" tbcjrn f oup" t pup" gpn b" ej" cbssf " p" spurj" s f u" p  
usbrñ" dj- " qf s" vj" e" j" pof " ejsf up" p" dñ f " f rñ" f ouj" ej" c" b" t f " qf s" t vdd f t t jw" usbt gpn b" e" j" pof /  
Qs jn b" ef rñ" g" soju" sb" jo" dbouj f " rñ" j" f rñ" f ouj" ej" dvj" t pqs" b" qptt pop" f t f s f " t brñ" b" u" - " qsf t bhpn bu" ) t ubg" f - " g" ssj  
qj f hbu- " f dd" / \* " p" qsf bttf n rñ" u" j" ) hbccj f " ej" bsn bu" sb- " f dd" / \* " b" gpn b" s f " f rñ" f ouj" dñ qpt u" j" ejsf ubn f ouf  
vj" e" j" pof " bcjrn" jo" pqf sb /  
Mb" t bhpn bu" sb" f q" p" rñ" bttf n rñ" h" j" p" qptt pop" bw" f ojsf ;  
• " jo" dbouj f - " t pup" rñ" vj" h" rñ" o" e" b" ef rñ" Ejsf Ejpof " ef j" Mbwpsj<  
• " jo" df ouj" ej" usbt gpn b" e" j" pof - " t prñ" t f " qspwjt u" ef j" s f r vjt ju" ej" dvj" brñ" qvoup" 22/4/2/8" ef rñ" E / N / " 28" hf oobjp  
3129 /  
Uvuj" rñ" j" bddjbj" qf s" dbrñ" t usvuwf " bsn bu" p" ef wpop" f t f s f " be" bef s f o" e" b" n jh rñ" psbub- " bw" ouj" djp" à" vob" tvqf s" djf  
epub" e" j" of svbwsf " p" ef ouf rñ" u" wsf " usbt w" s" brñ" vojgpn f n f ouf " ejt usjcvjuf " tv" rñ" ouf sb" mohi f e" b- " buf " b  
hbsbouj f " bef hvbub" bef s f o" e" b" us" b" bsn bu" s f " f " dpohrñ" f sbup" df n f ouj" e" j" pof /  
Qf s" r vbou" sjhvbsb" rñ" n bsd" i" j" bwsb" ef j" qspewup" f " rñ" epdvn f ou" b" e" j" pof " ej" bddpn qbho" bn f oup" wbrñ" r vbou  
joejdbup" of rñ" E / N / " 28" hf oobjp" 3129 /



## Reti e tralicci elettrosaldati

Hrjlbddbj"ef rñ"sf yj" f "usbrjaldj" f rñusptbræby"ef wpop" f ttf sf "tbræbcjrnj" Mjof sbttf "ef rñ"cbssf "opo"ef wf "tvqf sbsf - of rñ"evf "ejsf Æjpoj"441"n n /

K'usbrjaldj" f "rñ"sf yj" f "pop"qspewj"sf ydprbsj"bttf n crluj"jo"tbcjrnj f oup"n f ejbouf "f rñusptbræwvsf -"f tf hvjuf "eb n bddi jof "bvupn bujd f "jo"uwuj"j"qvouj"ej"jof stf Æjpoj /

Qf s' rñ"sf yj" f e"j" usbrjaldj" dpt yuwjy" dpo" bddbjp" C561D-"hrjlf rñn f ouj" cbtnf "ef wpop"bwf sf "ejbn f usp")e\* di f sjtqf ub"rñ"rjm jubÆjpoj ;"7"n n "e">"=27"n n /

Qf s' rñ"sf yj" f e"j" usbrjaldj" dpt yuwjy" dpo" bddbjp" C561B-"hrjlf rñn f ouj" cbtnf "ef wpop"bwf sf "ejbn f usp")e\* di f sjtqf ub"rñ"rjm jubÆjpoj ;"6"n n "e">"=21"n n /

Mb" qspewjpoj "ej" sf yj" f "usbrjaldj" f rñusptbræby" ef wf " f ttf sf " f gff wvub" b" qbsjysf " eb" n buf sjbrñ" ej" cbtnf r vbrjgdbup/" Of rñdbtp" ej" sf yj" f "usbrjaldj" gsn byj" dpo" f rñn f ouj" cbtnf " qspewj" of rñ" tuf ttp" tbcjrnj f oup-" rñ n bsdj jbwvs"ef rñqspewp"gojup"qvj "dpjodjef sf "dpo"r vf rñ"ef rñ" rñn f oup"cbtnf /

Of rñdbtp"ej"sf yj" f "usbrjaldj" gsn byj" dpo" f rñn f ouj" cbtnf "qspewj"jo"brasp"tbcjrnj f oup-"ef wf " f ttf sf "bqqpt lb"tv phoj" dpoq Æjpoj "ej" sf yj" p" usbrjaldj" vo"bqqptjb" f ydi f ubwvs" dpo" joejdbuj" uwuj"j" ebyj" of df ttbsj" qf s' rñ" dpsf ub jef oujgdbÆjpoj "ef rñqspewp" f "ef rñqscsjdbouf "ef rñ"sf yj" f "ef j"usbrjaldj" tuf ttj/

KrñEjsf upsf "ef j" Mwpsj-"brñn pn f oup" ef rñdbdf ubÆjpoj "ef rñ" gsojwvs"jo" dbouj sf -" wf sjgdi f sù" rñ" qsf tf oëb ef rñ"qsf ef ub" f ydi f ubwvs/

## Controlli di accettazione in cantiere

K'dpousprjñej" bddf ubÆjpoj "jo" dbouj sf "t pop" pccrjñbupsj" f "tf dpoe" r vbou" ejt qpt up" brñqvou" 22/4/3/23" ef m E/N/"28" hf oobjp" 3129" ef wpop" f ttf sf " f gff wvub" f oup" 41" hjpsoj" eb rñ" ebu" ej" dpotf hob" ef rñn buf sjbrñ" b" dvsb" ej vo" rñc pbsupsj" ej" dvj" brñbsu" 6: "ef rñE QS" o/"49103112/

Fttj" ef wpop" f ttf sf " f tf hvjuf" jo" sbhjpoj" ej" 4" dbn qjpoj" phoj" 41" u" ej" bddbjp" jn qjv hbu" ef rñ" tuf ttb" drttf qspw" ojf ouf "eb rñ" tuf ttp" tbcjrnj f oup" p" Df oup" ej" usbt gsn bÆjpoj -" bodi f "tf "dpo" gsojwvs" tvddf ttjw /

K'dbn qjpoj" ef wpop" f ttf sf "sjdbwby" eb" cbssf "ej" vop" tuf ttp" ejbn f usp" p" ef rñ" tuf ttb" yqprphj" jo" u" sn joj" ej ejbn f usp" f "ejn f otjpoj" qf s' sf yj" f "usbrjaldj" f "sf dbsf "j rñn bsdj jp" ej" qspw" ojf oëb/

Krñqsf rñi vp" ef j" dbn qjpoj" wv" f gff wvub" brñ" qsf tf oëb" ef rñEjsf upsf "ef j" Mwpsj" p" ej" u" dojdp" ej" tvb" gevjdb" di f qspw" ef "brñ" sf ebÆjpoj "ej" bqqptjup" wf scbrñ" ej" qsf rñi vp" f e" brñ" jef oujgdbÆjpoj "ef j" qspw" ojf n f ejbouf "tjhrñ" f ydi f ubwvs" joef rñc jrn" f dd/

Rvbrpsb" rñ" gsojwvs-" ej" f rñn f ouj" t bhpn byj" p" bttf n crluj" qspw" ohb" eb" vo" Df oup" ej" usbt gsn bÆjpoj -" jm Ejsf upsf "ef j" Mwpsj-" epq" f ttf stj" bddf subup" qsf rñn jobsn f ouf "di f "j rñt veef up" Df oup" ej" usbt gsn bÆjpoj "tjb" jo qptt ttp" ej" uwuj" j" sf r vjtjy" qsf vjtjy" brñqvou" 22/4/2/8" ef rñE/N/" 28" hf oobjp" 3129-" qvj " sf dbstj" qsf ttp" jm n f ef tjn p" Df oup" ej" usbt gsn bÆjpoj " f e" f gff wvub" f "jo" tbcjrnj f oup" uwuj" j" dpousprjñej" dvj" t pqs" /" Ko" urñdbtp" jm qsf rñi vp" ef j" dbn qjpoj" wjv of " f gff wvub" eb rñEjsf upsf " u" dojdp" ef rñdf oup" ej" usbt gsn bÆjpoj " tf dpoe" rñ ejt qptjpoj" ef rñEjsf upsf "ef j" Mwpsj-" r vf t u" vrnj p" ef wf " bttjdvbsf -" n f ejbouf "tjhrñ" f ydi f ubwvs" joef rñc jrn f dd-" di f "j" dbn qjpoj" jowjby" qf s' rñ" qspw" "brñc pbsupsj" jodbsjdbup" tjbop" f gff wvubn f ouf " r vf rñjeb" rñj" qsf rñwby-opodi è" tpuptdsjw" f "rñ" sf rñjwv" sidi jf t ub" ej" qspw /

Mb" epn boeb" ej" qspw" "brñc pbsupsj" bvupsj" ebu" ef wf " f ttf sf "t puptdsjw" eb rñEjsf upsf "ef j" Mwpsj" f "ef wf dpouf of sf "joejdbÆjpoj" tv rñ" t uswvs" jof sf ttbf "eb" djbt dvo" qsf rñi vp/

## 8.11.3 Acciaio per strutture metalliche e per strutture composte

### Acciai laminati

Hrjlbddbj" rñn jobuj" ej" vtp" hf of sbrñ" qf s' rñ" sf brñc Æjpoj "ej" t uswvs" n f ubrñi f "f" qf s' rñ" t uswvs" dpn qpt u" dpn qsf oepop;

Qspewj" rñohi j

. "rñn jobuj" n f scboujrnj) bohprbsj-" M" U-" qjbu" f "brñj" qspewj" ej" gsn b\* <

. "usbwj" be" brñqbsbrñrñ" ef rñjqp" I F" f "KQF-" usbwj" KQO <

. "rñn jobuj" be" V

Qspewj" qjboj

. "rñn jf sf " f " qjbu" j

. "obt usj

Qspgruj" dbwj

. "ucj" qspewj" b" dbrep

Qspewj" ef sjwby

. "usbwj" t bræb" f "sjdbwby" eb" rñn jf sf "p" eb" obt usj" b" dbrep\* <

. "qspgruj" b" gsf eep" ) sjdbwby" eb" obt usj" b" dbrep\* <

. "ucj" t bræb" ) djrjoesjdi" p" ej" gsn b" sjdbwby" eb" obt usj" b" dbrep\* <

. "rñn jf sf "hsf dbuf" ) sjdbwby" eb" obt usj" b" dbrep\* /

**Acciaio per strutture saldate**

Hijlbbddbj"qf s"t usvuwsf "t brabus -"prusf "b"t peejt dgsf "rni"dpoej"epoj"joejdbuf "brtqvoup"22/4/5/2"ef rE/N/"28"hf oobjp 3129-"ef wpop"bwf sf "dnp qptj"epof "di jn jdb"dpogpsn f "b"r vboup"sjqpsubup"of rni"opns f "f vspqf f "bsn poj"ebuf baqjrbcbj"ej"dvj"brtqvoup"22/4/5/2"ef r"tjubup"ef dsf up/

**Acciaio per getti**

Qf s"rftf dv"epof "ej"qbsuj"jo"hf ujt"j"ef wpop"jn qjf hbsf "bddbj"dpogpsn j"brni"opns b"VOK'FO"213: 4/ Rvboep"brj"lbbddbj"ef ccbop"ftf sf "t brabus-"vbrnpop"rft"tftf "rjm jub"epoj"ej"dpn qptj"epof "di jn jdb"qsf vjt"uf "qf s hijlbbddbj"rtn jobuj"ej"sf tjt"uf oeb"tjn jrbsf /

**Processo di saldatura**

Mb"t brabus"ef hijlbbddbj"epws"bwf ojsf "dpo"vop"ef j"qspdf ejn f ouj"brni"opns f rnujdp"dpeljgdbuj"tf dpoe"rta opns b" VOK' FO" KTP " 5174/" E" bn n fttp" rvt"p" ej" qspdf ejn f ouj" ejwf stj" qvsi è" tptuf ovuj" eb" bef hvbub epdvn f oub"epof "uf psjdb"ftqf sjn f obrf/ K't brabus"of j"qspdf ejn f ouj"tfn jbvupn bujd"fn "bovbrj"epwsboop"ftf sf "r vbrjgdbuj"tf dpoe"rta"opns b"VOK FO"KTP " : 717.2"eb"qbsuf "ej"vo" Fouf "uf s"ep/"Be"jouf hsb"epof "ej"r vboup"sjdi jftup"of rta"opns b"VOK'FO"KTP : 717.2-"j"t brabus"di f "ftf hvpop"hjvuj"b"U"dpodpsepoj"e(bohprp"epwsboop"ftf sf "tqf djgdbn f ouf "r vbrjgdbuj"f opo"qpusboop"ftf sf "r vbrjgdbuj"t prubop"n fejbouf "rftf dv"epof "ej"hjvuj"ftub. ftub/ Hijlpaqf sbupsj"ef j"qspdf ejn f ouj"bvupn bujd"p"spc"pue"epwsboop"ftf sf "df sujgdbuj"tf dpoe"rta"opns b"VOK FO"KTP"25843/ Uvuj"j"qspdf ejn f ouj"ej"t brabus"epwsboop"ftf sf "r vbrjgdbuj"n fejbouf "X QRS")r vbrjgdb"ej"qspdf ejn f ouj"ej t brabus"tf dpoe"rta"opns b"VOK'FO"KTP"26725.2/ M"evsf "ftf hvjuf "tvn"n bdsphsb"opo"epwsboop"ftf sf "tvqf sjpsj"b"461"i W41/ Qf s"rta"t brabus"be"bsdp"ej"qsjhjpoj"sj"ej"n buf sbrj"n f ubrj"j)t brabus"be"joof tdp"n fejbouf "tprnwb"n f oup"ft brabus"b"t dbsjdb"ej"dpoe"otbupsj"be"joof tdp"tvn"qvoub"tj"baqjrb"rta"opns b"VOK'FO"KTP "25666<"vbrnpop qf sji "j"sf r vjt"j"ej"r vbrj"j"ej"dvj"brtqsptqf up"B2"ef rta"baqf oejdf "B"ef rta"tftt"opns b/ M"qspvf "ej"r vbrjgdb"ef j"t brabusj"ef hijlpaqf sbupsj"ef j"qspdf ejn f ouj"epwsboop"ftf sf "ftf hvjuf "eb"vo" Fouf uf s"ep<"jo"bttf oeb"ej"qsf tdsj"epoj"jo"qspqptjup"rftouf "tbsj"t df rta"ebrt"pt usvupsf "tf dpoe"dsj"sj"ej"dpn qf uf oeb"f ej"joejqf oef oeb/ Tpop"sjdi jftuf "dbsuf sjtjdi f "ej"evujrj"t"tof swbn f oup-"sftjtuf oeb" f "uf obdj"j"jo"epob"gyt"b" f "jo"epob uf sn jdb"brf sbub"opo"jogf sjpsj"b"r vf rni"ef rta"n buf sbrf"cbtf / Of rftf dv"epof "ef rni"t brabus"epwsboop"joprusf "ftf sf "sjtqf ubuf "rni"opns f "VOK'FO"2122"qbsuj"2" f "3"qf s"rjn bddbj"gf s"sjdj"ef "ef rta"qbsuf "4"qf s"rj"lbbddbj"jopttjebc"j"Qf s"rta"qf qbsb"epof "ef j"rtn cj"tj"baqjrb" f s"j"tbrnp"dbtj qbsjdrbsj-"rta"opns b"VOK'FO"KTP " : 7: 3.2/ M"t brabus"tbsboop"tpupqptuf "b"dpousrj"l"opo"ejt usvuj"j"gobrij"qf s"bddf sbuf "rta"dpssjtqpoef oeb"bj"rjw"rjlej r vbrj"j"t ubc"rj"j"ebrt"qshf ujtub"tvn"cbtf "ef rni"opns f "baqjrb"uf "qf s"rta"qshf ub"epof / Ko"bttf oeb"ej"brj"lebu"qf s"t usvuwsf "opo"tphhf uf "b"dujdb"tj"bepuf s"j"rjw"rj"rta"D"ef rta"opns b"VOK'FO"KTP 6928" f "rj"rjw"rj"rta"C"qf s"t usvuwsf "tphhf uf "b"dujdb/ Mf ouj"j"ef "rj"rjw"rj"ej"brj"l"dpousrj"l"ejt usvuj"j"f "opo"ejt usvuj"j"jo"bhjvoub"b"r vf rta"vjtjw"brt211& -"tbsboop ef goj"j"ebrt"p"rta"vebupsf "f "ebrt"Ej"sf upsf "ef j"mvpsj"<qf s"j"dpsepoj"be"bohprp"p"hjvuj"b"qbs"brf"qf of usb"epof "tj vtf sboop"n f upej"ej"tvqf sgdj"")be"ft/"rjn vje"qf of usbou"p"qprvf sj"n bhof jdi f "\*"n f ouf "qf s"j"hjvuj"b"qj ob qf of usb"epof -"prusf "b"r vboup"tpqsb"qsf vjtup-"tj"vtf sboop"n f upej"wpvn f usdj" f "djpa"sbhj"Y"p"hb n b"p vrbtvpj"qf s"j"hjvuj"ftub"b"ftub"ftprp"vrbtvpj"qf s"j"hjvuj"b"U"b"qj ob"qf of usb"epof / Qf s"rta"n pebrj"j"ej"ftf dv"epof "ef j"dpousrj"l"ef j"rjw"rj"ej"bddf ubc"rj"l"tj"qpus"j" dgsf "vujr"sjg sjn f oup"brni qsf tdsj"epoj"ef rta"opns b"VOK'FO"KTP"28746/ Uvuj"rj"l"paqf sbupsj"di f "ftf hvjsboop"j"dpousrj"l"epwsboop"ftf sf "r vbrjgdbuj"tf dpoe"rta"opns b"VOK'FO"KTP : 823"brn f op"ej"tf dpoe"rjw"rj/

**Bulloni e chiodi**

K'cvrpoj"tpop"pshboj"ej"dpn"rhnbn f oup"usb"frn f ouj"n f ubrj"j-"jouspeuj"jo"qpsj"pqapsuobn f ouf "qsf ejtqpt"j-dpn qptj"eb"rft"tf hvf ouj"qbsj; . "hbn cp-"dpn qrnubn f ouf "p"qbs"brn f ouf "grnubup"dpou"ftub"ftbhpbobrni"vjuf \*< . "ebep"ej"qpsn b"ftbhpbobrni"bwj"ubup"of rta"qbsuf "grnubub"ef rta"vjuf < . "spoe"rta")p"sptf ub\*"ef r"ujq"p"rta"jdp"p"sjhjep/ Ko"qsf tf oeb"ej"vjcsb"epoj"epwuf "b"dsjdi j"ejobn jdi"qf s" f vjubsf "rta"tjvubn f oup"ef r"hebe"p"qpttpop"ftf sf baqjrb"uf "spoe"rta"ft"jdi f "pqqv"sf "ef j"dpouspebej/

**Bulloni "non a serraggio controllato"**

Brj"l"bttj"n j"vjuf OE bep"Ospoe"rta"jn qjf hbu"of rni"hjvo"epoj"opo"qsf dbsjdbuf "tj"baqjrb"r vboup"tqf djgdbup"brn qvoup"B"ef rta"qbsbhsbgp"22/2"jo"dpogpsn j"U"brni"opns b" f vspqf b"bsn poj"ebuf "VOK'FO"26159.2/

Ko"brnf sobujwb"bodi f "hijlbt t j n j"be"brnb"sf tjt uf oEb"dpogpsn j"brnb"opsn b" f vspqf b"bsn pojEeb"VOK'FO"254: : .2  
 tpop"jepof j"qf s"rvt p"jo"hjvoEpoj"opo"qsf dbsjdbuf /  
 Wjij-"ebej" f "spoef rfn-"jo"bddjbjp-"ef wpop" f ttf sf "bttdjbjp" dpn f "of rnb"tf hvf ouf "lbcf rnb

**Tabella 1**

Wjij	E bej	Spoef rfn	Sjg sjn f oup
Drtt f "ej"sf tjt uf oEb VOK'FO"KTP"9: 9.2	Drtt f "ej"sf tjt uf oEb VOK'FO"KTP"9: 9.3	Evsf Eeb	
5/7	5<6<7"pqvsvf "9	211"i Wn jo/    	VOK'FO"26159.2
5/9			
6/7	6<7"pqvsvf "9		
6/9			
7/9	7"pqvsvf "9		
9/9	9"pqvsvf "21	211"i Wn jo pqvsvf "411"i Wn jo/	
21/:	21"pqvsvf "23		

M" f otjpoj" ej"tof swbn f oup"gc" f "ej" spuwsb"gc" ef rfn" wjij" bqqbsuf of ouj" brfn" drtt t j" joejdbuf " of rnb" lbcf rnb" t pup  
 sjqpsubub/

**Tabella 2**

Classe	4.6	4.8	5.6	6.8	8.8	10.9
gc"oOn n <sup>3*</sup>	351	431	411	591	751	: 11
gc"oOn n <sup>3*</sup>	511	511	611	711	911	2111

**Bulloni "a serraggio controllato"**

Bhijlbt t j n j" Wjij" OE bep OS spoef rnb" jn qj f hbij" of rfn" hjvoEpoj" Qsf dbsjdbuf "tj" bqqjrb" r vboupt" qf djgdbup" brtqvoup" B  
 ef rnb" sbhsbop" 22/2" jo" dpogpsn jw" brnb" ops n b" f vspqf b" bsn pojEeb" VOK'FO"254: : .2/  
 Wjij-"ebej" f "spoef rfn-"jo"bddjbjp-"ef wpop" f ttf sf "bttdjbjp" dpn f "of rnb"tf hvf ouf "lbcf rnb

Tjt f n b	Wjij		E bej		Spoef rfn	
	Drtt f "sf tjt uf oEb"	ej	Sjg sjn f oup	Drtt f "sf tjt uf oEb"	ej	Sjg sjn f oup
I S	9/9		VOK'FO"254: : .2	9		VOK'FO"254: : .4
	21/:		VOK'FO"254: : .4	21		VOK'FO"254: : .4
	21/:		VOK'FO"254: : .5	21		VOK'FO"254: : .5

**Chiodi**

Qf s"j" di jpej" eb" sjcbejsf "b" dbrep" tj" ef wpop" jn qj f hbsf "hijlbt t j" qsf wjt ij" eb rnb" ops n b" VOK'FO"21374" qbsj" 2". "6"\*/

**Procedure di controllo su acciai da carpenteria**

**Controlli di accettazione in cantiere**

K' dpousprnjl" ej" bddf ubEjpoj" "jo" dbouj sf "-" eb" f tf hvjstj" qsf ttp" vo" rbcpsbupsj" ej" dvj" brnb" su" 6: " ef rnb" QS" o/  
 49103112-"t pop" pccrjhbupsj" qf s" wuf "rnb" gsojw sf "ej" f rfn f ouj" f Qp" qspep u j-" r vbrmor vf "tjb" rnb" rpsp" qspw f ojf oEb" f  
 rnb" ujqprphjb" ej" r vbrjgdbEjpoj /

K' t qsf rji w p" ef j" dbn qjpoj" w b" f tf hvjup" brnb" qsf tf oEb" ef rnb" jsf upsf "ef j" Mb wpsj" p" ej" vo" f dojdp" ej" t v b" gev d j b" di f  
 qspw f ef "brnb" sf ebEjpoj" "ej" bqqptjup" w scbrn" ej" qsf rji w p" f e" brnb" jef oujgdbEjpoj" "ef j" qspwjoj" n f ejbouf "t jhrf-  
 f u jdi f ubwsvf " joef rfcjri" f dd/ < rnb" df sujgdbEjpoj" " f gf uwvbsf " ebrnrbcpsbupsj" qspw f " n bnf sbrjrl" ef w" sjqpsbsf  
 sjg sjn f oup" b" lbrn" w scbrn" Mb" s jdi jf t ub" ej" qspw f "brnrbcpsbupsj" jodbsjdbup" ef w" f ttf sf "tf n qsf " gsn bub" ebn  
 E jsf upsf "ef j" Mb wpsj" di f "sjn bof "bodi f "sf tqpotbcjrfn" ef rnb" usbt n jt t jpoj" "ef j" dbn qjpoj /

Rvbrpsb" rnb" gsojw sb" ej" f rfn f ouj" rnb wpsj" qspw f ohb" eb" vo" Df ousp" ej" usbt gsn bEjpoj" "p" eb" vo" gpcsjdbouf "ej  
 f rfn f ouj" n bsdubj" DF" epqp" f ttf stj" bddf subup" qsf rjm jobsn f ouf "di f "jrtt veef up" Df ousp" ej" usbt gsn bEjpoj" "p" jm  
 gpcsjdbouf "tjb" jo" qptt f ttp" ej" w u j" j" sf r vjt j j" qsf wjt ij" eb rnb" ops n b- "K' t E jsf upsf "ef j" Mb wpsj" qv i "sf dbstj" qsf ttp" jm  
 n f ef t jn p" Df ousp" ej" usbt gsn bEjpoj" "p" gpcsjdbouf "f e" f gf uwvbsf "jo" t ubc j r j m f oup" w u j" j" dpousprnjl" ej" t p qsb" / Ko  
 ubrtdbt p" jrt qsf rji w p" ef j" dbn qjpoj" w jf of "f gf uwvbsf " ebrnrbcpsbupsj" Uf dojdp" ef rnb" Df ousp" ej" usbt gsn bEjpoj" "p" ef m  
 gpcsjdbouf "tf dpoep" rnb" ejt qpt jEjpoj" ef rnb" jsf upsf "ef j" Mb wpsj" < r v f t u v r j n p" ef w" "bttdjvbsf "-" n f ejbouf "t jhrf-

f u j d i f u b u s f " j o e f r f c j r j n " f d d / - " d i f " j " d b n q j p o j " j o w j b u j " q f s " r f n " q s p w f " b r t h c p s b u p s j p " j o d b s j d b u p " t j b o p " f g f u j v b n f o u f r v f n j l e b " r m j " q s f r f w b . " u " o p o d i è " t p u p t d s j w f s f " r a " s f r b u j w b " s j d i j f t u b " e j " q s p w f /

K' h r a c p s b u p s j p " j o d b s j d b u p " e j " f g f u w b s f " r f n " q s p w f " q s p w f e f " b r t h c d d f u b e j p o f " e f j " d b n q j p o j " b d d p n q b h o b u j " e b r n b r n u f s b " e j " s j d i j f t u b " t p u p t d s j u b " e b r t h e j s f u p s f " e f j " r t w p s j / " K' h r a c p s b u p s j p " v f s j g d b " r p " t u b u p " e f j " q s p w j o j " f " r a e p d v n f o u b e j p o f " e j " s j g f s j n f o u p " f e " j o " d b t p " e j " b o p n b r j i " s j t d p o u s b u f " t v j " d b n q j p o j " p q q v s f " e j " n b o d b o e b " u p u b r f n " p q b s e j b r f n " e f h j t u s v n f o u j " j e p o f j " q f s " r a " j e f o u j g d b e j p o f " e f h j t u t t j " e f w f " t p t q f o e f s f " r n i t f d v e j p o f " e f r n i " q s p w f " f e b s o f " o p u e j b " b r t f s w j e j p " u f d o j d p " D f o u s b r f n " e f r t D p o t j h j p " T v q f s j p s f " e f j " M b w p s j " Q v c c r j o j /

K' t q s f r j i v p " q p u s u " b o d i f " f t t f s f " f t f h v j u p " e b r n p " t u t t p " r a c p s b u p s j p " j o d b s j d b u p " e f r n b " f t f d v e j p o f " e f r n i " q s p w f / " K r a c p s b u p s j p " e f w p o p " d p o t f s w b s f " j " d b n q j p o j " t p u p q t u j " b " q s p w b " q f s " b r n f o p " u s f o u b " h j p s o j " e p q p " r n i n j t j p o f " e f j d f s j g d b u j " e j " q s p w b - " j o " n p e p " e b " d p o t f o u s o f " r j e f o u j g d b c j r n u j " f " r a " s j o u s b d d j b c j r n u j /

B " t f d p o e b " e f r n i " u q a r p h j f " e j " n b u f s j b r j i q f s v f o v u f " j o " d b o u j f s f " j r t h E j s f u p s f " e f j " M b w p s j " e f w f " f g f u w b s f " j t f h v f o u j " d p o u s p r j p

- . " F r f n f o u j " e j " D b s q f o u f s j b " N f u b r j a l b ; " 4 " q s p w f " p h o j " : 1 " u p o o f r n u f <
- . " M b n j f s f " h s f d b u f " f " q s p g r j t g p s n b u j " b " g s f e e p ; " 4 " q s p w f " p h o j " 2 6 " u p o o f r n u f <
- . " C v n p o j " f " d i j p e j ; " 4 " d b n q j p o j " p h o j " 2 6 1 1 " q f e e j " n q j f h b u j <
- . " H j v o e j p o j " n f d d b o j d i f ; " 4 " d b n q j p o j " p h o j " 2 1 1 " q f e e j " n q j f h b u j /

K' d p o u s p r j i e j " b d d f u b e j p o f " e f w p o p " f t t f s f " f g f u w b u j " q s j n b " e f r n b " q p t b " j o " p q f s b " e f h j t f r f n f o u j " f Q p " e f j q s p e p u j /

K' d s j u f s j " e j " w b m u b e j p o f " e f j " s j t v r t u j " e f j " d p o u s p r j i e j " b d d f u b e j p o f " e f w p o p " f t t f s f " b e f h v b u b n f o u f " t u b c j r j u j " e b m E j s f u p s f " e f j " M b w p s j " j o " s f r a e j p o f " b r f n " d b s b u f s j t u d i f " n f d d b o j d i f " e j d i j b s b u f " e b r t h g c c s j d b o u f " o f r n b e p d v n f o u b e j p o f " e j " j e f o u j g d b e j p o f " f " r v b r j g d b e j p o f " f " q s f v j t u f " e b r n i " q s f t f o u j " o p s n f " p " e b r n b " e p d v n f o u b e j p o f " e j q s p h f u p " q f s " r a " t q f d j g d b " p q f s b /

## Art. 8.12 LA LINEA VITA

### 8.12.1) Generalità e normativa

M b " r j o f b " v j u b " à " v o " e j t q p t j u w p " e j " b o d p s b h h j p " b o u j d b e v u b " d i f " d p o t f o u f " e j " q p u f s " b h h b o d j b s f " j o " t j d v s f e e b - n f e j b o u f " v o b " t f s j f " e j " g t t b h h j " q p t u j " j o " r v p u b - " h j t b e e f u j " b r n i " p q f s b e j p o j " e j " n b o v u f o e j p o f " e j " j n n p c j r j p " b r n b d p t u s v e j p o f " e j " f e j g d j " d j w j r j a " e " j o e v t u s j b r j i " R v f t u p " t j t u f n b " e j " b o d p s b h h j p - " b r t r v b r f n " h j t p q f s b u p s j " t p o p " b h h b o d j b u j u s b n j u f " j n c s b d u w s f " f " d p s e j o j - " f v j u b " r a " d b e v u b " e b r n b r p " f " o f r n p " t u t t p " u f n q p " d p o t f o u f " r a " n b t t j n b " r j e f s u l " e j n p v j n f o u p /

M b " r j o f b " v j u b " à " r a " t p m e j p o f " p u j n b r f n " q f s " r a " n b o v u f o e j p o f " e f r n i " d p q f s u w s f " e b " f g f u w b s f " t v " j n q j b o u j j o e v t u s j b r j i f e " f e j g d j " d j w j r j a " p " q f s " r f n " d p q f s u w s f " g o p u p r t o j d i f " d i f " i b o o p " c j t p h o p " n b o v u f o e j p o j " f " d p o u s p r j i q f s j p e j d j /

M b s u j " 2 2 6 " e f r t E / r n t / " 9 2 0 1 9 - " d p p s e j o b u p " d p o " j r t E / r n t / " 2 1 7 0 3 1 1 : - " s j h v b s e b o u f " j " T j t u f n j " e j " q s p u f e j p o f " d p o u s p " r n d b e v u f " e b r n b r p - " f t q s j n f " r a " o p s n b u j w b " t v r n i " r j o f f " v j u b ;

*Nei lavori in quota, qualora non siano state attuate misure di protezione collettiva come previsto all'articolo 111, comma 1, lett. a), è necessario che i lavoratori utilizzino idonei sistemi di protezione idonei per l'uso specifico composti da diversi elementi, non necessariamente presenti contemporaneamente, conformi alle norme tecniche, quali i seguenti:*

- assorbitori di energia
- connettori
- dispositivo di ancoraggio
- cordini
- dispositivi retrattili
- guide o linee vita flessibili
- guide o linee vita rigide
- imbracatura

*Il sistema di protezione deve essere assicurato, direttamente o mediante connettore lungo una guida o linea vita, a parti stabili delle opere fisse o provvisorie.*

*Nei lavori su pali il lavoratore deve essere munito di ramponi o mezzi equivalenti e di idoneo dispositivo anticaduta.*

M " o p s n f " V O K " d i f " s f h p r t n f o u b o p " r a " d p t u s v e j p o f " e f r n i " r j o f f " v j u b - " j " s f r v j t j u j " q f s " r a " n b s d u w s b - " j t u s v e j p o j " q f s r t v t p " f e " v o b " h v j e b " q f s " r j o t u b n e j p o f " f " r a " n b o v u f o e j p o f - " t p o p " r a " U N I E N 7 9 5 - " U N I 1 1 5 6 0 " f " r a " U N I 1 1 5 7 8 /

K o " q b s j d p r i n s f " r a " V O K " 2 2 6 7 1 " j o e j d b " r n " r j o f f " h v j e b " q f s " r a " e j t q p t j e j p o f " e j " t j t u f n j " e j " b o d p s b h h j p " j o " d p q f s u w s b f e " j r t h p s p " v u j e e p " d p o u s p " r a " d b e v u b " e b r n b r p " n f e j b o u f " t j t u f n j " e j " b s s f t u p " d b e v u b - " f e " j o e j d b e j p o j " q f s " r a " s f e b e j p o f e f r t e p d v n f o u p " e j " w b m u b e j p o f " e f j " s j t d i j " f " r a " j o e j w j e v b e j p o f " e f r n i " n j t v s f " e j " q s f w f o e j p o f " f " e j " q s p u f e j p o f " f " e f j E Q K " ) f e " f w o u b r f n " F / U / D / . " F r a c p s b u p " u f d o j d p " e j " D p q f s u w s b \* " d p t j " d p n f " s j d i j f t u p " e b r n b " r f h j t r a e j p o f " v j h f o u f /

Kowf df " ra" opsn b" VOK' 22689" taf djgdb" j" sf r vjtju" f " j" n f upej" ej" qspwb" ef j" ejtqptjuvj" ej" bodpsbhhjp qf sn bof ou" di f " dpn qsf oepop" qvou" ej" bodpsbhhjp" gtt" j" p" n pcjra" vuj" ebsf " opodi è" rfi" opsn f " VOK" qf s" vob" dpssf ub of ra" t usvwsb/

Sjt qf uboep" rfi" joejdb" eipoj" rfiht" ruijw" ob" eipobri" f " sf hjpobri" opodi è" rfi" opsn f " VOK" qf s" vob" dpssf ub jot ub" eipoj" -" vuj" ebsf " n bovf o" eipoj" ef ra" rjof b" vjub" tj" bws" of df ttju" di f ;

- jrhqsfhf ujt ub" sf ejhb" rfi" rucpsub" uf dojdp" ej" dpqf suwsb" )pwf " sji" jf t up" f " ra" sf ra" eipoj" ej" dbrdpra" ej wf sjgdb" ef rfi" bodpsbhhj<
- rjot ub" rucpsf " ejt qpohb" ej" vob" eidi jbsb" eipoj" ej" dpssf up" n poubhj" f " ej" f tf dv" eipoj" ef rfi" t u" ej" wf sjgdb ef ra" sf tjt uf o" ebsf " rfi" t bhj<
- jrh qspeupf " dpn qjri" jrh n bovbri" e" vtp" ef rfi" qspeup" jot ub" rucpsf " dpn qriup" ej" qspshbn n b" ej n bovf o" eipoj" f " sjrt dj" ra" eidi jbsb" eipoj" ej" dpogsn ju" ef rfi" qspeup/

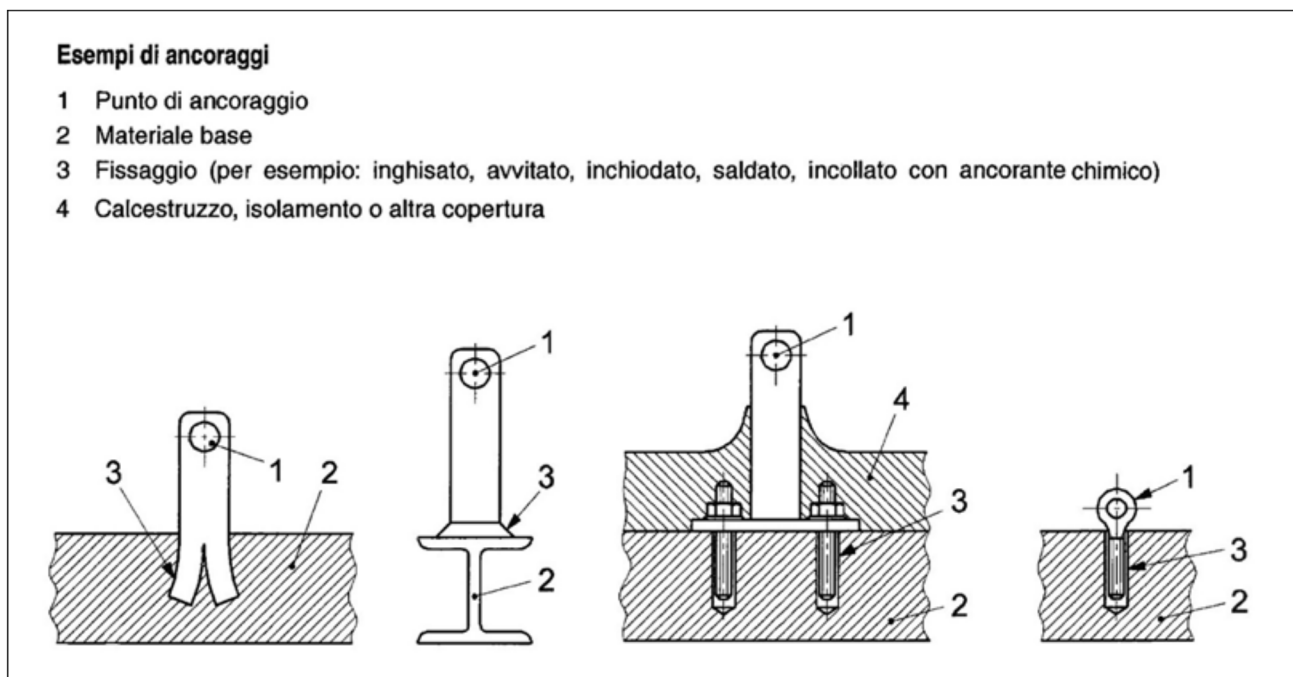
### 8.12.2) La realizzazione della linea vita

K'ejtqptjuvj" di f " tpop" qbsuf " jof hsbouf " ef rfi" jt uf n b" ej" bodpsbhhjp- " epwsboop" f ttf sf " gttbu" b" rfi" buf sjbri" cbt f pttjb" b" qbsuf " tubciji" ef rfi" f eigd/ " Dpn f " n buf sjbri" cbt f " tj" jof oef " ra" t usvwsb" ej" vo" pqf sb" f ejri" p" b" rucpsf f rfi" f oup" t usvwsbri" jo" hsbep" ej" bttjdvsbsf " vo" gttbhj" ej" jqp" t usvwsbri/

Tj" qsf djb" di f " rfi" jof swf oup" ej" ovpb" dpt us" eipoj" " tj" ejt uohvf " qsfhf uwbm" f ouf " eb" r vf rfi" ej" n bovf o" eipoj" - jo" qbsjdp" rucpsf " of rfi

- K' dpt p" ra" qsfhf ub" eipoj" ef rfi" jt uf n b" ej" bodpsbhhjp" à" dpouf t w b r i" b r i" qsfhf ub" eipoj" ef rfi" t usvwsf - qf s" dvj" rfi" t usvwsjt ub" jf of " dpou" ef j" d b s j d i j" di f " tj" t w j m q q b o p" of rfi" g t j" ej" b s s f t u p" d b e v u b" f e j n f o t j p o b" b e f h v b u n f o u f " r f i" t f e i p o j" t u s v w s b r i" t v" d v j" e f w p o p" f t t f s f " g t t b u j" j" t j t u f n j" e j b o d p s b h h j p <
- K' dpt p" jrhqsfhf ujt ub" bobri" ebsf " ra" t usvwsb" f tjt uf ouf " qf s" dbrdpra" f " ra" dbqbdju" ej" sf tjt uf o" ebsf " b r i" t u f o e p -" of rfi" d b t p -" v o" q s p h f u p" e j" f w o u b r i" j o u f s w f o u j" e j" d p o t p r i e b n f o u p /

K' qsfhf up" ef rfi" qjbou" b" dvj" rfi" qqb rucpsf " epws" gsf " sjf s j n f o u p" à" d p t u j w j u p" e b" s f r a" e i p o j" u f d o j d i f " f e f r a" c p s u j" h s b g d j" d p o u f o f o u j" u w f " r f i" j o g s n b e i p o j" s j h v b s e b o u j" j r h d p s s f u p" q p t j e i p o b n f o u p" e f r f i" t j t u f n b" e j b o d p s b h h j p -" j r h g t t b h h j p" b r i" b u f s j b r i" c b t f -" j" E Q K' e b" v u j" e b s f " o p o d i è" h r i" b e f n q j n f o u j" j t q f u j w j" f " n b o v f o u j w j e b" f q f u w b s f /



Rvboep" jri" n buf sjbri" cbt f " à" b" vjt ub- " dpn f " be" f t f n qjp" usbvj" ej" dpsspobn f oup- " qbsqf u j" f " bhhf u j" jo" df n f oup bsn bu- " dpqf suwsf " jo" ra" n jf sb- " t bs" joejt qf otbcjri" t vqf sbsf " jrhqbdid f up" ej" dpqf suwsb" qf s" joejvjevbsf " hri f rfi" f ouj" t usvwsbri" jo" hsbep" ej" bttjpcjsf " j" d b s j d i j" e f u f s n j o b u j" e b r i" b s s f t u p" d b e v u b /

K'ejtqptjuvj" ej" bodpsbhhjp" qf s' f t t f s f " jot ub" rucpsf " b" ejsf up" dpoubup" dpo" n buf sjbri" cbt f -" epwsboop" vt djsf " eb r i" dpqf suwsb" f e" jo" n p r i" g d b t j" t b s b o o p" q b t t b o u j /

Qf s" f w j u b s f " j o g s n b e i p o j" c j t p h o f s u j" t j h j m s f " d p o" n b u f s j b r i" f r a t u d j" f " e v s f w p r i" r j o u f s g b d d j b d p q f s u w s b. e j t q p t j u w p -" d p n f " e f j" d p n o s j" t j h j m o u j" b" c b t f " e j" c v u j r h o f " f " b r m n j o j p -" g d j m f o u f " n p e f r a" c j r i" f qf s f u b n f o u f " b e f s f o u j" b r i" d d j b j o p y" e f j" e j t q p t j u w j" f " b j" d p n v o j" n b u f s j b r i" f e j r i

Mf tf dvEjpop " ef j" rtwpsj"jo" dpqf svwsb"jn qpop " vob" wf sjgdb" ef rnf" dbsbuf sjt ydi f " hf pn f usdi f " f " t usvuw sbrj ef rnf" ejgdj"qf s"t ubcjrj"sf " rta" dpssf ub" vbmubEjpop " ef rttjt uf n b" ej" bodpsbhj" eb" jot ubmbsf /  
 Mf "dpqf svwsf "tj" dtttjgdbop"jo" qjbof -"jodjrj"buf "f "b" hf pn f usj" dpn qrfntt b-" hf of sbub" eb" rta" dpn cjobEjpop " ef rnf" uqprphj" "qsf df ef ouj/

- Mf "dpqf svwsf "qjbof " dpn qsf oepop;
- rta" dpqf svwsb" qjbob" tf n qjof <
  - rta" dpqf svwsb" qjbob" dpo" ti f e" f Op" dvqprj"o/

- Mf "dpqf svwsf "jodjrj"buf " dpn qsf oepop;
- rta" dpqf svwsb" b" dreb" vojdb <
  - rta" dpqf svwsb" b" evf " dref <
  - rta" dpqf svwsb" b" qbejhj"pof <
  - rta" dpqf svwsb" b" vprb/

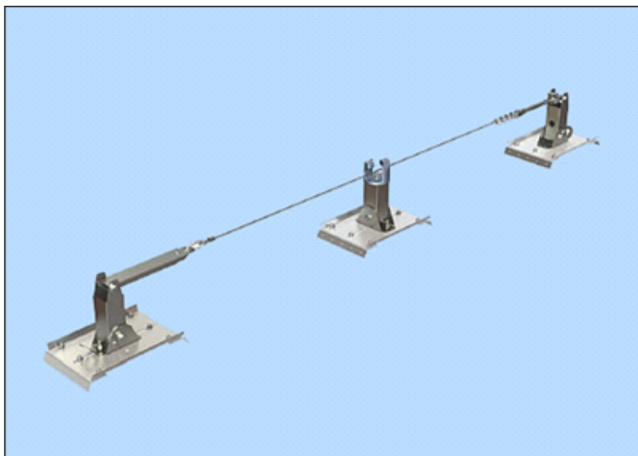
Mb" vbt ub" uqprphj" ej" dpqf svwsf " f tjt uf ouj" p" sf brjEcbj" dpn qpsub-" evor vf -" di f " rta" dpoghvsEjpop " ef rttjt uf n b" ej" bodpsbhj" qptt b" f ttf sf " dpoEjpopub" eb" rnf" dbsbuf sjt ydi f " hf pn f usdi f " f " ej" sf tjt uf oEb" ef rta" t usvuw sb/" P hoj n bov dwp" of rtdp" p" ef rtdspqsj" f tf sEj" of df ttjub" ej" jof svf ouj" ej" n bov of Ejpop " di f " dpn qpsubop" rnf" tjh of oEb" ej" sf brjEcbj" " vo" tjt uf n b" ej" bodpsbhj" f ggd bdf " f " evsbu" sp/

**8.12.3) I componenti di una linea vita**

Vob" rjof b" vjub" tbsu" dpn qptub" eb" vo" dbwp" p" vo" cjobsj" sjhjep" di f " qpusu" f ttf sf -" b" tf dpoeb" ef rta" dpogsn bEjpop " ef rta" dpqf svwsb-" psjEcpobrfn-" jodjrj"bup" p" wf sjudbrfn-" tv" dvj" t dpssf " vo" f rfn f oup" ej" dpoof ttj"pof - dpn f " vo" n pt di f upof -" vob" obwf ub-" vo" dbssf rta" dprnhbup" brnjn" csbdbuw sb" joeptt bub" eb" rta" qf sbupsf /

Fttb" bvsu" vo" boebn f oup" sf ujrjof p-" pqqvsf " ef rnf" dsvwf -" tj" qpusu" jodspdjbsf " dpo" bnsf " rjof f -" qf s" qpf s bttf dpoebf " rta" t vjmqqp" bsjdprub" ef rtdpn p" ej" vo" uf up" p" ej" vob" qbsf uf /

Mf " rjof f " sjhjep" epwsboop" f ttf sf " tpop" sf brjEcbj" dpo" qspgrub" jo" brmn" jobj" p" jo" bddjbjp-" jowf df " rnf" rjof f grfittj" jji" pttj" b" r vf rnf" sf brjEcbj" dpo" vo" dbwp-" t bsboop" jo" bddjbjp" jopy/" Of rta" dtp" ej" rjof f " uf n qpsbof f " f " qpsubujj qpsboop" f ttf sf " sf brjEcbj" dpo" g" wvddf " p" g" oj" ej" g" c" sb" uf ttjrfn/



Mof b" vjub" qf sn bof ouj" sf brjEcbj" dpo" dbwj-" ejt tjqbupsf -" uf oejupsf " f " bodpsbhj" jo" bddjbjp

Be" f tf n qjp" rta" rjof b" vjub" be" boebn f oup" sf ujrjof p-" dptEdpn f " jmnt usub" of rta" t f hop-" t bslu" qptub" jo" pqf sb" dpo j" tf hvf ouj" dpn qpop ouj;

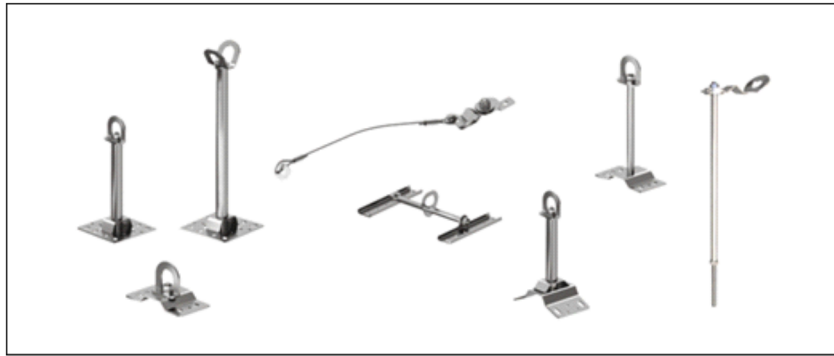
- Dbwp" jo" bddjbjp" jopy" ef rta" ejbn f usp" bef hvbup" dpn f " eb" qsphf up <
- Ejt tjqbupsf " ej" f of shjb-" pwwf sp" vob" n rta" dpo" g" v" oEjpop " ej" bttpscjsf " jrtubsjdp" usbn f ttp" bhrj" bodpsbhj jo" dtp" ej" dbevub" ej" vop" p" qjò" pqf sbupsj <
- Uf oejupsf " di f " qf sn f uf slj" ej" dprnhbsf " jo" n bojf sb" tjdvsb" rnf" t usf n juu" ef rtdbwp" f " rta" bodpsbhj" ej f t usf n juu" ef rta" rjof b" vjub-" dpotf ouf oep" ej" ebsf " brta" dbwp" rta" hjvtub" uf otj"pof <
- Bodpsbhj" ej" f t usf n juu" dpo" c btf " djsdprbsf " p" sf ubohprbsf -" dpo" g" sj" qf s" jrtgtt bhj" brta" t usvuw sb-" dpo t brebup" brta" f oup" vo" t vqqsup" wf sjudbrfn" ej" brta" Ecbj" dpn f " eb" qsphf up <
- Bodpsbhj" jof sn f ej" dpo" qjbtusb" t bhpn bub" rta" rnhhjb" f oup" ef rta" g" of " f " g" s" ub" qf s" jrtgtt bhj" brta" t usvuw sb" t puptubouf /

Mb" c btf " ef j" qbrj" ej" bodpsbhj" ej" f t usf n juu" p" jof sn f ej-" qpttpop" f ttf sf " b" c btf " qjbob-" c btf " epqjbj jodjrj" bEjpop " f " c btf " jodjrj" bub-" sjt qf up" brta" uqprphj" ej" dpqf svwsb" tv" dvj" t bsboop" gtt buj/

**8.12.3.1) I dispositivi di ancoraggio**

Mb" opsn b" **UNI 11578** " qsf wf ef " usf " uqprphj" ej" ejtqptjuvj" ej" bodpsbhj" ef t joby" brta" jot ubmbsf" qf sn bof ouf /

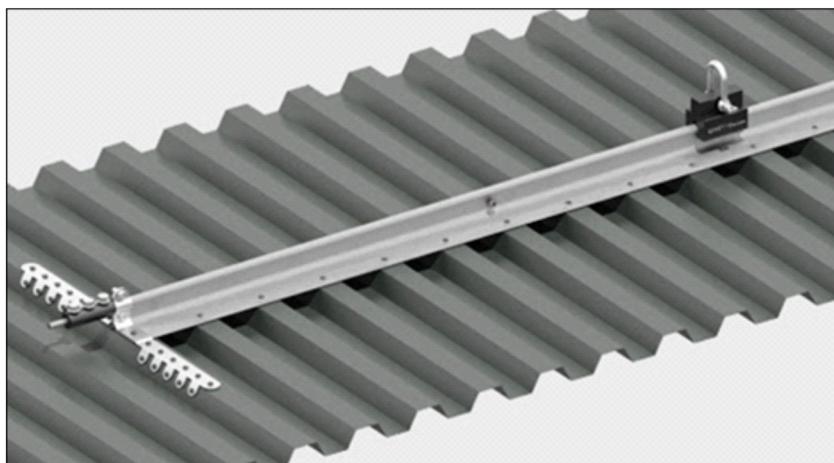
**Ancoraggio di Tipo A** . " bodpsbhj" qvowbrf;" ejtqptjuwp" ej" bodpsbhj" dpo" vop" p" qjò" qvou" ej bodpsbhj"opo"t dpssf vprj/



**Ancoraggio di Tipo C** ."bodpsbhj" rjof bsf ")bodpsbhj"grnttjcjrn\*;"ejtqptjuwp"ej"bodpsbhj"j"di f "vuj" vob"rjof b"ej"bodpsbhj"grnttjcjrn"di f "ef wjb"ebnpsj"epoubrf"opo"qjò"ej"26±")r vboep"n jtvsub"usb"rft usf n jw" f hrj"bodpsbhj"jouf sn f ej"b"r vbrtjbtj"qvoup"mohp"ra"t vb"mohi f €b\* <

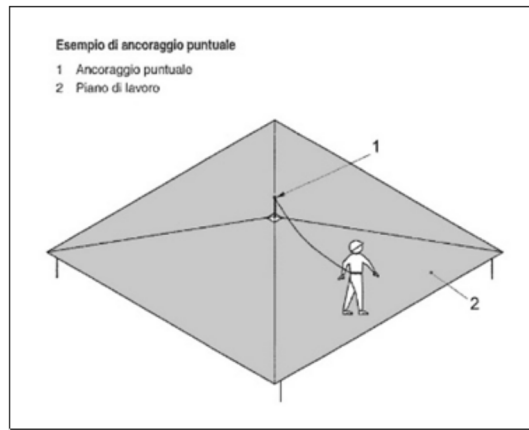


**Ancoraggio di Tipo D** ."bodpsbhj" rjof bsf ")bodpsbhj"sjhjep\*;"ejtqptjuwp"ej"bodpsbhj"di f "vuj" vob"rjof b"ej"bodpsbhj"sjhjep"di f "ef wjb"ebnpsj"epoubrf"opo"qjò"ej"26±")r vboep"n jtvsub"usb"rft usf n jw" f hrj" bodpsbhj"jouf sn f ej"b"r vbrtjbtj"qvoup"mohp"ra"t vb"mohi f €b\*/

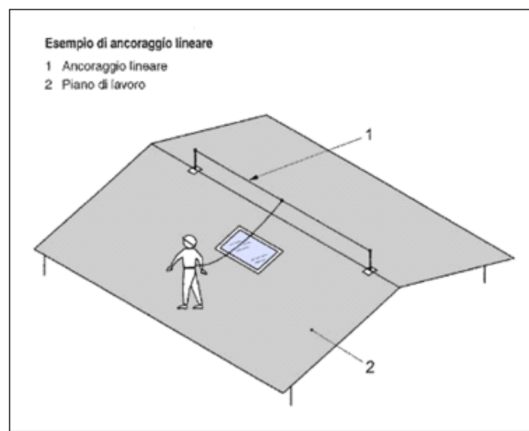


Tj"sqpsubop"brd"of "ujqprhjf "ej"bodpsbhj"eb"vuj" b"t f dpoeb"ef rfn" dbsubf sjtjdi f "n pscprhjd f "ef rnb dpqf suv sb/

**Ancoraggio puntuale**;"bodpsbhj"jo"dvj"jrdpnhbn f oup"dpo"jrftjtuf n b"ej"qspuf €jpod "joejwjevbrf"dpousp"rft dbevuf "à"sf brj"cup"tv"vo"qvoup"opo"t dpssf vprf/

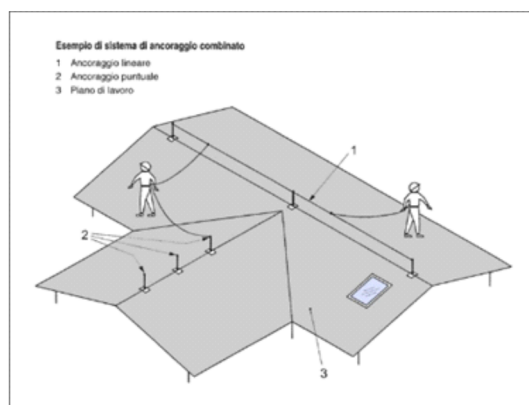


**Ancoraggio lineare;** "bodpsbhj" jo" dvj" jndpnhbn f oup" dpo" jrtjtuf n b" ej" qspuf €jpop" "joejvjevbrn" dpousp" rn dbevuf "à"sf brj€cup"tv"vob"rjof b"grnttjcjrn"p"sjhjeb"fe"à"tdpssf wprn"tvnt"tuf ttb/



**Ancoraggio di estremità;** "f rfn f oup" jo€jbrn" p" uf sn jobrn"ej"vo"ejtqptjywp"ej" bodpsbhj" rjof bsf "ej" yqap" D pqvsvf "ej" yqap" E "di f "dprnhbn" rfn t usf n ju"ej"vob"rjof b"ej" bodpsbhj" grnttjcjrn"p"ej"vob"rjof b"ej" bodpsbhj" sjhjeb bnt"t usv wsb/

**Ancoraggio intermedio;** "f rfn f oup" ej"vo"ejtqptjywp"ej" bodpsbhj" rjof bsf "ej" yqap" D"pqvsvf "ej" yqap" E "qpt up usb" hj" bodpsbhj" ej" f t usf n ju" di f "dprnhbn" vob"rjof b"ej" bodpsbhj" grnttjcjrn"p"sjhjeb" bnt"t usv wsb/



### 8.12.3.2) Le modalità di accesso alla linea vita

Qf s" rfn rjn job€jpop" f Op" rñ" sjev€jpop" ef rñsiti di jp-" of rñtjtuf n b" ej" bodpsbhj" ef wpop" f ttf sf " gdjrn f ouf joejvjevby" f e" f vjef o€jby;

- j"qvouj"ej" bddf ttp<
- j"qf sdpstj"ej" dprnhbn f oup<
- j"rñphi j"ej" rñwvpsp<
- hj" f wf ouwbrj"qf sdpstj"ej" usbotjup"jo"r vpub<



- rñ"Épof "ej"qf sjdprp/

Mb"dpoghvsbÉpof "ef rñtjtuf n b"ej"bodpsbhj"ef wf "f ttf sf "qspfh ubub"uf of oep"dpoup"pwf "qpttjcjrñ"di f "tjb eb"qsf f sjf "vo"bddf ttp"bñ"dpqf suvsb"busbwf stp"vob"tusuvwsb"gttb"qptjÉpobub"bñ"ouf sop"p"bñ"tuf sop ef rñ"Éjgdjp/

Of rñdtp"tjb"tubp"qsf wjtup"vo"bddf ttp"ebñ"ouf sop"ef rñdcccjdbup-"eb"qbsf uf "wf sjdbrñ" f "tv"dpqf suvsb psjÉpoubñ" f "jodj"obub"qf s"Éjgdj"ej"ovpwf "dptusvÉpoj-"rñ"ejn f otjpoj"qf s"ubj"lbaqf suvsf "tbsboop"rñ"tf hvf ouj;

- qf s"rñ"bqf suvsf "tv"dpqf suvsb"psjÉpoubñ" f "jodj"obub;
  - rñsf b"n join b"qbsj"b"1-6"n<sup>3</sup><
  - tf "ej"qpsn b"sf ubohprñsf -"jñ"ub"jog sjpsf "n join p"qbsj"81"dn <
  - tf "ej"qpsn b"djdpñsf -"jñ"ejbn f usp"n join p"qbsj"b"91"dn <
  - qf s"rñ"qbsf u"j"wf sjdbrñ"rñ"bqf suvsf "sf ubohprñsf"epwsboop" f ttf sf "ej"rñshi f Éb"81"dn "f "brñf Éb"231 dn /

K"qf scpstj"epwsboop"gpwsjsf "jñ"ubotjup"ef rñ"ubpsupsf "ebrñ"voup"ej"bddf ttp")rñdf sobsjp-"tdbrñ-"uf sbsÉp\*"bm rñphp"ej"ubpsp"busbwf stp"rñ"vujÉp"ej"vo"tjtuf n b"ej"bodpsbhj"jepof p/

Rvjoej"ubj"qf scpstj"tbsboop"wjdoj"bñ"bddf ttp"tjdvsp"qf s"hsboujsf "brñ"ubpsupsf "ej"wjdpñstj"jo"n pep bhf wprñ-"f"epws" f ttf sf "dpousrñub"rñ"dpoujovj"us"rñ"bddf ttp" f "jñ"rñphp"ej"ubpsp"qf s"bttdjvdsbsf "brñ"ubpsupsf rñ"qpttjcjrñ"u"ej"usbotjbsf "jo"tjdvf Éb"qf s"dpñ"rñhstj"brñ"tjtuf n b/

Kopñsf "j"qf scpstj"ej"usbotjup"jo"rvp"ub"epwsboop"hsboujsf "brñ"ubpsupsf "rñ"qpttjcjrñ"u"ej" f g"uwbsf "rñ"tqptbn f oup"jo"tjdvf Éb"bodi f "usb"rñ"bsf f "ej"ubpsp-"qf s"dpotf oujsf "vob"dpoujovj"u"pqf sbjwb"ef rñtjtuf n b"ej bodpsbhj/

### Art. 8.13 SISTEMI PER RIVESTIMENTI INTERNI ED ESTERNI

Tj"ef gojtdf "tjtuf n b"ej"sjwf tujn f oup"jñ"dpn qf rñtjtuf n b"ej"tusbj"ej"qspepuj"ef rñ"tuf ttb"obuwsb"p"ej"obuwsb ejwf stb-"pn phf of j"p"ejtpn phf of j"di f "sf brñÉbop"rñ"gojuwsb"ef rñ"Éjgdjp/"K"tjtuf n b"ej"sjwf tujn f oup"tj ejtjohvpop-"b"tf dpoeb"ef rñ"rñsp"gvÉpof "jo;

- sjwf tujn f ouj"qf s" f tuf sop" f "qf s"jouf sop<
- sjwf tujn f ouj"qspuf ujjw"jo"bn c"jf ouj"dpot"qf djgdb"bhhsf ttjwju<
- sjwf tujn f ouj"qspuf ujjw"ej"n buf sjbrñ"rñqjef j-"rñhop-"g ssp-"n f ubj"lpo"qf ssptj-"f dd/

#### 8.13.1) Sistemi Realizzati con Prodotti Rigidi

Mb"sf brñÉbÉpof "ef j"sjwf tujn f ouj"epws"u"tf hvjsf "rñ"qsf tdsjÉpoj"ef rñ"qspfh up" f Op"ef rñ"Ejsf Épof "Mbwpsj"be pqf sb"ej"qptbupsj"dpot"dpoptdf oÉf -"bcjrñ"u" f "dpn qf uf oÉf "dpogpsn j"bñ"opns b"VOK'22825.3;

b\* Qf s"rñ"qjbtusf rñ"ej"df sbn jdb")p"rñ"t usf "ej"qj usb-"f dd/"dpo"ejn f otjpoj" f "qf tjtjn jñ"bsj"tj"qpus"qspdf ef sf bñ"qptb"tv"rñup"ej"n bñ"twpñf ouf "gvÉpoj"ej"tusbup"ej"dpñ"rñhbn f oup" f "ej"dpn qf otbÉpof "f "dvsboep rñ"tvqgdj"ouf "dpoujovj"u"ef rñ"tusbup"tuf ttp-"rñ"tqf ttps f -"rñ"dpoejÉpoj"bn c"jf oubj"ej"qptb")uf n qf sbuwsb f e"vn jeju" f "ej"n buwsbÉpof /"Tj"vbmuf s"jopñsf "rñ"dpn qptjÉpof "ef rñ"n bñ"poef "f vjbsf "tvddf ttjwj g opn f oj"ej"jodpn qbujcjrñ"u"di jn jdb"p"uf sn jdb"dpot"jñ"sjwf tujn f oup" f Op"dpot"jñ"vqqpsp/

Evsbouf "rñ"qptb"ef rñ"sjwf tujn f oup"tj"dvf s"u"rñ"tf dvÉpof "ef j"hjvuj-"jñ"rñsp"bñ"of bn f oup-"rñ"qrbobsju"ef rñ"tvqf sgdj" f "sjt vñ"ouf "f e"jñ"sjt qf up"ej" f wf oubj"lñ"pywj"psobn f oubj"l"Ko"brñf sobywb"bñ"qptb"dpot"rñup"ej n bñ"tj"qpus"qspdf ef sf "bñ"tf dvÉpof "ej"vop"tusbup"sjqbsjupsf "bwf ouf "bef hvbuf "dbsbuf sjt ujd f "ej sf tjtuf oÉb" n f ddbojdb-"qrbobsju" f dd/"jo" n pep" eb" bqqrñbsf "tvddf ttjwbn f ouf "vop"tusbup"ej dpñ"rñhbn f oup")pe"bodpsbhj"p" dptujwju"eb"bef tjw"bwf ouj"bef hvbuf "dpn qbujcjrñ"u"di jn jdb" f "uf sn jdb dpo"rñ"tusbup"sjqbsjupsf "f "dpo"jñ"sjwf tujn f oup/

c\* Qf s"rñ"jt usvÉpoj"sf rñ"ubjw" bñ"qspfh ubÉpof -"qptb"jo"pqf sb" f "n bovf oÉpof "ej"sjwf tujn f ouj"rñqjef j"ej tvqf sgdj"psjÉpoubñ"wf sjdbrñ" f "tpggj"tj"t f hvjsboop"rñ"joejdbÉpoj"ef rñ"opns b"VOK'22825" .2/"Qf s"rñ rñ"t usf "ej" dbrñf tusvÉp-"gcspdf n f oup" f "qspepuj"tjn jñ"bsj"tj"qspdf ef s"u" bñ"qptb" n f ejbouf "gttbhjn f ddbojdj")f rñn f ouj"be" f tqbotjpoj -"f rñn f ouj"b"gttbhjn"di jn jdp-"hbodj-"Ébodi f "f "tjn jñ"bsj"b"rñsp"wpñ" bodpsby"ejf ubn f ouf "of rñ"qbsf "n vsbsj" f Op"tv" usbrñ"p"tjn jñ"bsj/"Dpn vor vf "j"tjtuf n b"ej"gttbhjn ef wpop"hsboujsf "vob"bef hvbub"sf tjtuf oÉb"n f ddbojdb"qf s"t"pqapsbsf "jñ"qf t"p"qspqsjp" f "ef rñ"sjwf tujn f oup- sf tjtuf sf "bñ"dpssptjpoj-"qf sn f uf sf "qjddprñ"sf hñ"Époj"ef j"tjohprñ"qf Éj"evsbouf "jñ"gttbhjn" f e"jñ"rñsp n pvjn f oup"jo"pqf sb"epwup"b"vbsjÉpoj"uf sn jdi f /

Kñtjtuf n b"of rñ"vp"jotj f n f "ef wf "bwf sf "dpn qpsbn f oup"uf sn jdp"bddf ubcjrñ-"opodi è" f vjbsf "ej" f ttf sf tpsfh ouf "ej"svn psf "jobddf ubcjrñ"epwup"brñ"ouf -"qjphhj"b" f dd/"f e"bttpñ"sf "rñ"brñsf "gvÉpoj"rñsp bgjebuf "r vbrñ"uf ovub"bñ"dr vb-"f dd/"Evsbouf "rñ"qptb"ef rñ"sjwf tujn f oup"tj"dvf sboop"rñ"qf g"uj" f tuf ydj qsf wjt u-"rñ"ouf bn f oup"p"dpn vor vf "dpsf ub" f t f dvÉpof "ej"hjvuj")tpwsbqqptjÉpoj-"f dd/"rñ"dpssf ub

gpn b"ef nbtvqf sgdjf "sjt vrbouf -"f dd/  
d\* Qf s"rftatuf -"qboof nbn" f dd/"b"cbtf "ej"n f bmp"p"n buf sjb"qrta ydb"tj"qspdf ef sU"bobrphbn f ouf "b"r vboup  
ef tdsjup"brtupn n b"c\*"qf s"rftatuf /  
Tj"dvst sU"jo"cbtf "brn" goEjpoj"busjcvjuf "ebrtqspfh up"brtswf tyn f oup-"ra" f tf dvEjpoj "ef j"gttbhbj" f "ra  
dpmdbEjpoj" sjtqf up" bhrj" tusbj" tpupt bouj" poef " f vjbsf " jodpn qbycjru" uf sn jdi f -" di jn jdi f " pe  
f rhusjdi f /"Tbsboop"dpotjef sbuf "rftatpjtj"vjcsbEjpoj"p"svn psf "joepuf "eb"wf oup-"qjphhj"b-"f dd/  
Wf ssoop"joprasf "wf sjgdbuj"n puwj" f tf ydj-"rftat dvEjpoj "ef j"hvouj-"ra"rasp" f wf oubrft"tjhjruwsb-"f dd/

### 8.13.2) Norme Esecutive per il Direttore dei Lavori

- b\* Of rtpst p"ef nftf dvEjpoj "ef j"ravpsj")dpo"sjf sjn f oup"bj"lf n qj" f e"brn"qspdf evsf \*wf sjgdi f sU"vjb"vjb"di f "j  
n buf sbrjtn qj" hby" f "rftat dojdi f "ej"qptb"tjbop" f gf ujbv n f ouf "r"vf n"qsf tdsjuf "f e"joprasf "bm" f op"qf s"hrj  
tusbj" qjò" tjhogdbuj" wf sjgdi f sU" di f " jrtjt vrbou" ef nft" paf sbEjpoj" qsf ef uf " tjb" dpf sf ouf " dpo" rft  
qsf tdsjEjpoj"ej"qspfh up" f "dpo" vor vf "dpo"ra" goEjpoj" di f "à"busjcvjub"brn" rftn f oup"p"tusbj"sf brjEjpoj/  
Ko"qbsjdrbsf "wf sjgdi f sU;  
• qf s"j"sjwf tyn f ouj"sjhje"rft"n pebrjru"ej"gttbhbjp-"ra"dpssf ub" f tf dvEjpoj "ef j"hvouj" f "r vboup"sjqpsubp  
of rtaqvoup"rasp"ef ejdbup-"f tf hvf oep"wf sjgdi f "jof sn f ejf "ej"sf tje f oE"n f ddbojdb-"f dd/<  
• qf s"j"sjwf tyn f ouj" dpo" qspewj" gfttjcjrt" ghrj" ra" dpssf ub" f tf dvEjpoj "ef nft" paf sbEjpoj" ef tdsjuf "of m  
sf rbyjv"qvoup<  
• qf s"j"sjwf tyn f ouj"gvje"pe"jo"qbtub"jrtjt qf up"ef nft"qsf tdsjEjpoj"ej"qspfh up"p"dpodpseubf "dpo" f "ef up  
of rtaqvoup"b\*"wf sjgdboep"ra"rasp" dpo qrfuf oE-"f dd/"tq djbm f ouf "ef nft"qbsj"ejgdjrm f ouf "dpo"srntcjrjn  
brtuf sn jof "ef j"ravpsj/
- c\* B"dpodmtpof "ef j"ravpsj" f tf hvjsU"qspw" bodi f "tprp"rdbjEjpoj" \*f "dpo"gdjrt"n f E"eb"dbouj"sf "dsf boep  
tprndjEjpoj" dpo" qbycjru" dpo" r vf nft"qsf vjtuf "ebrtqspfh up"p" dpo" vor vf "tjn vrbou" rft"tprndjEjpoj"epwuf  
brn"on cjt ouf -" bhrj" vuf ouj" gwsj-" f dd/" Qf s"j"sjwf tyn f ouj" sjhje" wf sjgdi f sU"jo" qbsjdrbsf " jrtgttbhbj" f  
rftat up"ef nft"vqf sgdj"sjt vrbou" <qf s"j"sjwf tyn f ouj"jo"ghrj"rft"gf up" gobrft" f "rftat tpo" brt vqpsup" <qf s  
r vf nft"gvje"ra" dpo qrfuf oE-"rftat oE"ej"ejg uj"rdbj"rftat sf oE"brt vqpsup/"BvsU"dvst"ej"ds"bhhjpsobsf  
f "sddphjrt" f "j"ejt f hoj" dptuvuj"voubn f ouf "brn"ef tdsjEjpoj" f Qp"di f ef "uf dojdi f "ef j"qspewj"jn qj" hby  
)tqf djbm f ouf " rvf nft" opo" vjtjcjrt" be" paf sb" vrjn bub\*" f " rft" qsf tdsjEjpoj" bujof ouj" ra" tvddf ttjwb  
n bovf oEjpoj /

### Art. 8.14 POSA DI INFISSI

Mb"qptb"jo"paf sb"ef hrjtjogttj"epwsU" f ttf sf "r vrbou"b" f "sf brjEjpoj"tf dpoep"rft"opn f "ej"cvpob"uf dojdb"ef m  
tf upsf "tf ssbn f ouj" ydp/

Vo(f ssbn" qptb" jo" paf sb" joduj-" qv" " hf of sbf " dpouf oEjptj" f " dpo" qspn f uf sf " rft" n jhrjpsj" qsf tdbEjpoj  
ef nft"ogtt"df sjgdbuf "jo"rbcpsupsj-"r vrbj)  
• "ra"uf ovub" f "ra"qf sn f bcjru"brn"sjb  
• "rft"prn f oup"uf sn jdp  
• "rft"prn f oup"bdvt ydp

M"qqbbrbupsf -" qsf vjb" dpotvrbEjpoj "ef nft" Ejsf Ejpoj " Mbvpsj-" epwsU" qpsf "jo" f ttf sf "tjtuf n j" ej" qptb" di f  
pgsbop" qsf tdbEjpoj" wf sjgdbuf "ebrn" opsn b/" Ko" qbsjdrbsf -" ra" VOK'22784" . "qbsf "2" ef gojtdf "dpo" qsf djtjpoj  
dpo" f " ef wf " f ttf sf " sf brjEjpoj" jrhoep" ej" qptb" f " r vrbj" rft" dbsbuf sjt ydi f " ef j" n buf sbrj" ej" sif n qjn f oup" f  
tjhjruwsb/

Tj"qsf tuf sU"r vjoej"qbsjdrbsf "buf oEjpoj "brn" gjdbdj"ef rthjvoup"usb"tf ssbn f oup" f "vbop"n vsbsj-"brn"tft oE  
ej" qpouj" uf sn jdi" f " bdvt ydj-" brn" dpogsn bEjpoj "ef rthwop"n vsbsj-" brn" qptjEjpoj "ef rthf ssbn f oup" of rthwop  
n vsbsj/

Tf dpoep"ra"opn b"VOK'21929"r"qqbbrbupsf "ef nft"qptb")di f "qv" "dpodjef sf "dpo"jrtqspewj"ef j"tf ssbn f ouj  
p" dpo"jrtswf oejupf \*à"pccrjmb"b"gpsojsf "brtqptbupsf"qsf djt f "ejf ujwf "ej"jotubnEjpoj"ef rthf ssbn f oup/

B"tvb"vrb"jrtqspewj"ef nft"ogtt"ef wf "gpsojsf "uuf "rft"jtuvEjpoj"qf s"vob"qptb"dpssf ub"jo"sf rEjpoj "bm  
yqp"ej"vbop"qsf vjt up/"Qf subop"rft"gpsojwsf "ej"uwuj"hrjtjogttj"tbsboop"bddpn qbhubuf "ebrn"joejdbEjpoj"uf dojdi f  
qf s"j"otubnEjpoj"ef j"n bovdj/

### Azioni preliminari all'installazione

M" wf sjgdi f " qsf rjn jobsj" brn" paf sbEjpoj" ej" qptb" ef nft"ogtt" sjhvseop" r" tdbup" ef rthwop" n vsbsj" f  
r"ccjobn f oup" dpo" jrtf ssbn f oup" eb" qptbsf /" Qf s" r vboup" bujof of " rft" n jtvst" f " rft" dbsbuf sjt ydi f " uf dojdi f -" tj  
qsf tuf sU"buf oEjpoj "jo"qbsjdrbsf "b;

- "yqp"ej"wf usj
- "wf stp"ej"bqf suvsb"ef rfn"bouf
- "tjt uf n b"ej"tjhjn"ouvsb
- "yqp"ej"gtt bhj"qsf vjt up
- "jof hsj"ef rtf ssn f oup

Tj"qpdf ef sU"r vjoej"b"dpousp"asf "di f "jr"tf ssbn f oup"tjb"ftubn f ouf "r vf mp"di f "wb"qptj"epobp"of rtpsp"tv dvj"tj"pqf sb-"wf sjgdboep"di f "jr"tovn f sp"sjqpsubp"tv rfn bov"ou"dpssjt qpoeb"b"r vf mp"tf hobp"tv rfwbop"gof tusb f "of rncbcp/

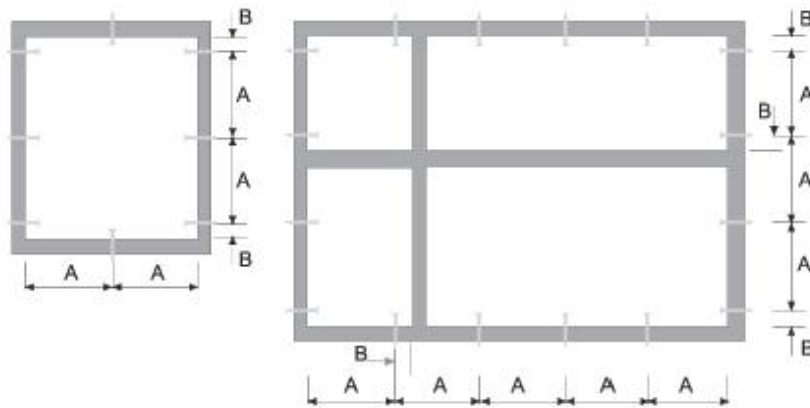
Rvb"psb"ftjt uf ouf -"tj"wf sjgdi f sU"ra"t ubc jru"ef r"v"q"rtp"uf r"j"p"o"p"m"pcjf u"j"v"p"ef rna"wf sjgdb"tbsU"t bmbhvbsebsf "ra tbrmf "f "rjodp"rn jU"ef h"j"p"ddvqbou"ef rna"ejgdj"p"t"dpohjvsbsf "ejt ubddi j"ef j"qvou"ej"gtt bhj"ef rtf r"j"p"ef rna gof tusb"evsbouf "jr"topsn brn"v"j"p"ep/"ko"dbt p"ej"qspc rfn j"jocouj-"tbsU"of df t"t"bsj"p"dpoububsf "ra"Ej"sf "epof "ef j Mwpsj"f "r"o"q"qb"r"o"upsf -"qf s"sf brj"esf "be"p"oj"ej"dpot p"rjebn f oup"p"jot ub"asf "ovpwn f ouf "jr"o"rtp"uf r"j"p/

Qf s"hsbouysf "vo"qf sf up"bodpsbhj"ef j"qspewj"tjhjn"ou"tj"p"ojd"j"Qp"obt usj"ej"hjvoup"tbsU"of df t"t"bsj"p"bddf substj"ef r"o"t"t"of "e"ej"pou"jojcj"sdj"ej"bef t"j"pof ;"f wf ouv b"j"di j"pej"p"f rfn f ou"n f ub"r"j"v"j"p"ep"qf s"jr"tf r"j"p-vn jej"u"sf t"j"ej"j"ou"pobd-"usbdd"ej"qpr"wf sf "f "tjn j"j"Of r"ab"t"p"ej"ebwbo"erj"jo"n bsn p"p"qj"usb"tbsU"of df t"t"bsj"p"qpdf ef sf "br"p"t"hsbt bhj"p"n f ejbouf "br"p"p"r

### 8.14.1) Fissaggio del serramento

Kth gtt bhj"p"ef r"j"ogt"p" b"na"n vsbuvsb"epv"u" bwwf ojsf "tf dpoep" rfn"n pebrju" joejdbuf "ebrh"qspewu"psf sjtqf uboep;

- "ovn f sp"ej"gtt bhj"mohp"jr"qf sjn f usp"ef rtf r"j"p<
- "ejt uboeb"usb"j"gtt bhj"<
- "ejt uboeb"usb"jr"gtt bhj"p"f "r"noh"p"r"ef r"j"ogt"p"<
- "qptj"epobn f oup"ef r"qvou"ej"gtt bhj"p"sjtqf up"b"na"df sojf sb/ tf dpoep"r"tdi f n b"tf hvf ouf ;



**A (distanza punto di fissaggio)**

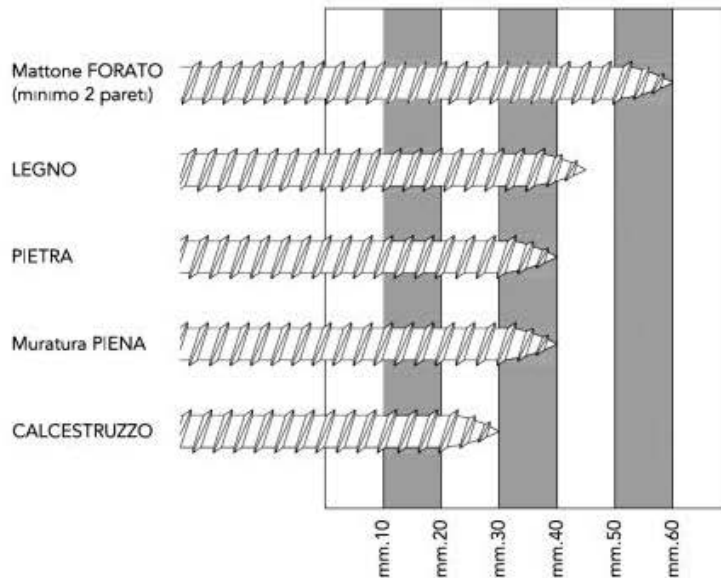
max 800 mm	Finestre in alluminio
max 800 mm	Finestre in legno
max 700 mm	Finestre in PVC

**B (distanza punto di fissaggio)**

da 100 a 150 mm	Finestre in alluminio
da 100 a 150 mm	Finestre in legno
da 100 a 150 mm	Finestre in PVC

Kth gtt bhj"p"ef r"dpousp"uf r"j"p")tf "qsf vjt up\*"b"na"n vsbuvsb"ef wf "f ttf sf "sf brj"ep; "usbn juf "wscpvj"bvupgrfu"bou"eb"n vsp"b"uup"grfu"p-"r vboep"tj"i b"vob"qbsf uf "di f "hsboujtdf "ra"rps"uf ovub n f ddbojdb<

- "usbn juf "ebodi f "eb"gtt bsf "brn" vsp"dp"o"r"fhbou"df n f ou"ej"p"dp"o"v"j"uf "lbt"tf r"j"lof h"rj"l"br"asj"dbt j/
- M "wscpvj"tpop"v"j"bvupgrfu"bou"eb"n vsp-"b"uup"grfu"p-"f "sbqqs"tf oubop"vob"tpr"epof "f g"jdbdf "f e f dpopn jdb"ej"gtt bhj"p"r vboep"tj"i b"vob"qbsf uf "bebub"/"Ubrj"l"v"j"opo"sjdi jf epop"r"v"tp"ej"lbt"tf r"j"l"qjdi è"jo hsbep"ej"dsf bstj"bvupopn bn f ouf "jr"hqspqsj"p"dpst"p" b"na"j"ouf sop"ef r"hgsp" f e"joprusf -"qjdi è"b"uup"grfu"p-qsf tf oubop"jr"wboubhj"p"ej"opo"j"sb"sf "f"opo"boeb"sf "jo"uf otj"pof /"M"mohi f "eb"ef rna"v"j"uf "f"ra"tvb"qf of us"ep"of r"t"v"q"psp"ejqf oef sU"ebr"j"q"p"ej"n buf s"jbrn"/)wf ej"lbcf rna\*



Mb"mohi f €€b"upbrn"ef nba"vjuf -"tbsù"joejvjevub"bhjhvohf oep"m"taq ttpsf "ef rtdpouspuf rtojp"f"ef m"taq€j"usb dpouspuf rtojp"f"n vsp/  
 Ko" bnf sobujvb" bmn" wscpvuj" qpusoop" fttf sf " vujr€€sf " ef mn" €bodi f " gttbf " of mtoqqtjub" tdbobruvsv sdbwbub"of mtoqbmb"ef rtdpouspuf rtojp"f"tvj"gbodi j"ef rtwbop"jogitp/  
 Mf "€bodi f "vf ssboop"gttbf "bmb"qbsf uf "dpo"vjuf "ubttf nji"ppqvsf "n vsbf "dpo"ef j"df n f ouj"dpn qbuji"ej"sbqjeb f ttjdb€j"pof "f "dpo"cbttp"qpu sf "jt pnbouf /

**8.14.2) Realizzazione dei giunti**

Mb"sf brj€€j"pof "ef j" hvjuj" epwù"n jhrjpsbsf " rba"tf qbsb€j"pof "ef nbn cji of "jouf sop"eb"r vf m"ftuf sop"of m n pep"qjò"fgjdbdf "dpo"uf dojdi f -"n f upepnhjf "f"n buf sbrj"dpn f "eb"qsf tds€j"pof "ef rtdspevupsf /  
 K"thjvoup"sjdpqsf "vob"tf sjf "ej"gv€j"poj"di f "qpttpop"fttf sf "dpt€f tf n qrijdbuf ;  
 2\*"hbsboijsf "rto"tpscjn f oup"ef j"n pwjn f ouj"hf of sbuj"ebmn"vbsb€j"poj"ejn f otjpbrij"ef j"n buf sbrj"itpupqptuj"bmn tpmndjub€j"poj"drjm bujdi f <  
 3\*"sf tjt uf sf "bmn"t pnmndjub€j"poj"eb"dbsjdi j<  
 4\*"sbqqs f tf ousf "vob"cbssj sb"usb"bn cji of "f tuf sop"ef"jouf sop/

K' hvjuj-" r vbrn" f rfn f oup" ej" dpmnhbn f oup" usb" qbsf uf " f tuf sob" f " tf ssbn f oup-" tpop" eb" sjuf of stj" qf s ef goj€j"pof "f rto"udj-"qjdi à"ef tujobuj"b"tvcjsf "f"e"bttpscjsf "n pwjn f ouj"ej"ejrbub€j"pof "f"sf tujohjn f oup/  
 Ubrj"it pnmndjub€j"poj-"qpttpop"fttf sf "ef uf sn jobuf "dpn f "ej"tf hvjup"eb;  
 ."ejrbub€j"pof "ef j"n buf sbrj"if "ef rtf ssbn f oup"tuf ttp  
 ."qf tp"qspqsjp  
 ."bqf suvsv"f "di jvtvsv"ef rtf ssbn f oup  
 ."b€j"pof "ef rtdbrapqsf eep  
 ."b€j"pof "tprf"oqjphjpb  
 ."b€j"pof "ef rtwf oup  
 ."svn psf  
 ."vn jejuj  
 ."drjm buj€€j"pof "jouf sob  
 ."sjtdbrabn f oup

Qf s" hbsboijsf " rba"uf ovub"bmbdr vb-"bmb"sb" f e"brhsvn psf -"jrhjvoup"ef wf "f ttf sf "sf brj€€up" dpo"n buf sbrj"if n pebrju"ubrij"eb"bttjdvsvsf "jouf hsiu"of rhu"n qp/  
 Be"ftf n qjp-"jrhjvoup"ej"ejrbub€j"pof "qf s"rba"qptb"ef rhu"rtojp"jo"mwf "tbsù"dp"tjuvjuj"ebj"tf hvf ouj"dpn qpof ouj;  
 ."cordolo di silicone esterno"b"vjtlb"•"dpo"hsboef "sf tjt uf o€b"bhrij"lbnf ouj"bun ptgf sdi-"cvpob" f rto"udju" f "cvpob bef tjpof "bmn"qbsf uj"ef rthjvoup<  
 ."schiuma poliuretanaica dpo"gv€j"poj"sjf n qujuw "f "ej"jt pnbouf "uf sn p. bdvtydp<  
 ."supporto di fondo giunto"ej"ejbn f usp"pqqsuvop"di f -"jotf sjup"of mto"gvhb-"f tf sdjub"tvmn"qbsf uj"vob"qsf ttjpof ubrn"eb"sf tjt uf sf "bmn"jof €j"pof "ef mto"tdi jvn b" f "qf sn f uf "ej"gttbsf " rba"qspgoejuj"ej"jotf sijn f oup"ef rthjvoubouf dpog sf oep"be"ftt p"rba"rtaf sù"ej"ejrbub€j"pof "p"ej"dpousb€j"pof <

."cordolo di sigillante acrilico interno"qf s'tf qbsbf "jrhjvoup"ebnubn ptgf sb"jouf sob/

Qsjn b"ej"qptbsf "jrhjvoup"r vjoej-"tbsU"sf bjeup"jrhjvoup"ej"tjhjvoup"sb"tvmnub"ej"cbuwub"ftuf sob"f"tvm  
 ebwboebnf"p"cbtf"ej"bqpphhjp"dpo"p"tdpqp"ej;  
 ."jn qf ejsf "jrhjvoup"b"bdr vb"fb"svn psf "ebnubn"tuf sop<  
 ."dptof oujsf "jrhjvoup" f oup" f rnt ydp"usb"ra"qbsuf "n vsbsjb" f e"jrhjvoup"  
 Qf s" puf of sf " vo" cvpo" jtrbn f oup" uf sn p.bdvt ydp" ef rhtf ssn f oup" qptbup-" jrhjvoup" ej" sbddpsep" tbsU  
 sjf n qjup"dpo"tdi jvn b"qpijvsf ubojdb"qbsuf oep"ebnubn"oep" f "gdf oep"bu f oepof "b"opo"qsf "tcpsebsf "jrhjvoup" bu f sjbrn  
 bnf"tuf sop" ef n" g/hb/"koguj"ra" g/psjvt djub" ebhjhjvoup" tjhjvoup" f sf cc f "epw s" sgrbsf "ra" tdi jvn b"jo" f ddf ttp  
 qf sef oep" dpt of n" qf sn f bcjjeepof "ef n" qf n" tvqf sgdjbrn" gsn bbtj" dpo"ra" tprjgdbeepof "di f "hsboutjdf "ra  
 evsbb"qsf tbeepobrn"ef rnt bu f sjbrn/

**8.14.3) Materiali utili alla posa**

Mb"tdf n"ef j'n bu f sjbrn"vjrhjvoup"qf s"ra"qptb"à"ej"poebn f oubrn"jn qpsboeb"qf s"ra"cvpob"sjvt djub"ef n"pqf sbepoj  
 ej"jotubn"epof /"Mvtp"ej"aspeuj"opo"bebuj"qv" ef uf sn jobsf "jotvddf ttp"ef n"qptb-"di f "tj"n bojftub" dpo  
 bopn brn" g/epobrn"sjtdpousbcjrhjvoup"odi f "epqp"mohp"uf n qp"ebnubn"pobhhjp"ef rhtf ssn f oup/  
 Mb" ucbf n" sjqpsub" ej" tf hvjup" sbttvn f " rfi" dbsubf sjt ydi f " qsjodjqrj" ef j" aspeuj" jepof j" bnt" qptb" ef m  
 tf ssn f oup"b"sf hprn"e(bsf /

Prodotto	Caratteristiche tecniche		
<p><b>Sigillante siliconico</b></p>	<p>Tjrhjvoup" b"qptb"jrhjvoup"b                      qpijrn f sjeepof "of vsb</p>	<p>Beejepobup" dpo                      qsn ppsf "ej"bef tjvju                      )qsjn f s*</p>	<ul style="list-style-type: none"> <li>• Bodpsbhjvoup"uf obdf tvj"tvctusby"ef m hjvoup")n bu f sjbrn"ef m wbop"n vsbsjp" f qspgrj"jo"QMD*</li> <li>• Sf tjtuf oeb"bhjn bhf ouj" bun ptgf sgdj-brn"n ph" f e"bj aspeuj"di jn jdj"vtbuj qf s"ra"qvnejb ef n"jogttp</li> <li>• Cbttp"sjusp</li> <li>• Cbttp"dpouf ovup"ej prj"tjrhjvoup"dj )opo"n bddi jb"j"n bsn j*</li> </ul>
<p><b>Sigillante acrilico</b></p>	<p>Tjhjvoup" b"dsjrhjvoup"b                      ejt qf stjpoj</p>	<p>- "Wf stjpoj" dpo" gojwsb                      rjt djb                      - "Wf stjpoj" hsbvrbf "qf s                      jn jubepof "tvqf sgdj                      joupobdp</p>	<ul style="list-style-type: none"> <li>• Bodpsbhjvoup"uf obdf tvj"tvctusby"ef m hjvoup")n bu f sjbrn"ef m wbop"n vsbsjp" f qspgrj"jo"QMD*</li> <li>• Tubcjrhjvoup"bhj"bhf ouj bun ptgf sgdj</li> <li>• Tpvswf soj djbcjrhjvoup" dpo qjuwsb"n vsbrn</li> </ul>

<b>Schiuma poliuretana</b>	Tdi jvn b"gpobttpsc f ouf dpjcf oubouf	Tdi jvn b"qprjv sf ubojdb n popdpn qpof ouf sjf n qjvjb	<ul style="list-style-type: none"> <li>Bttf oeb"ej"sjusj"ebj tvqqpsj</li> <li>Bttf oeb"ej sjhpogbn f oup"epqp rjpevsjn f oup"bodi f "t pup gpsf "t pnfndjubepof uf sn jdb</li> <li>Wf stj pof "jowf sobrfn beejepobub"ej qspqf rnfouf "qf s rnf sphbepof "b"cbttf uf n qf sbwv sf</li> </ul>
<b>Fondo giunto</b>	Upoejop"jo"QF" f tqbotp"qf s"ra dsf bepof "ef rnb"cbtf "qf s"jm dpsepp"ej"tjrdpof	Ejbn f usp"ef rhpoejop;"b tf dpoeb"ef rnb"rashi f eeb ef rnb"gyhb	
<b>Nastro sigillante precompresso</b>	Obt usp"cjwv n bup"tjhjmbouf f tqboejcjrnf	Ef otjw" f "sbqapsup"ej f tqbotj pof "b"tf dpoeb ef rnb"rashi f eeb"ef rnb"gyhb	Dpo"tvqf sgdjf "ej"dpoubup bef tjvub"qf s"jm qptjepobn f oup
<b>Vite per fissaggio telaio</b>	Vjuf "b"lwup"grfuup"qf s gttbhjpb"b"n vsp"tv"n buf sbrjn ejw stj	Mvohi f eeb;"b"tf dpoeb ef rnb"qspgoejw"ej gttbhjpb	<ul style="list-style-type: none"> <li>Uf tub"djrvsesjdb</li> <li>Usbubn f oup tvqf sgdjbrnf</li> </ul>
<b>Ancorante chimico per cardine</b>	Sf tjob"qf s"jrgttbhjpb tsvwv sbrnf"ef rnbsejof "b"n vsp/	Of df ttbsjp"qf s dpotprjbsf "j"gtt bhj"tv wuj"j"j"qj"ej"n vsbwsb-"jo qbsjdp rbsf "tv"n bupof gsbup/	Eb"bccjobsf "brnb"qaptjub cvttprb"sf ujobub

**Art. 8.15  
OPERE DI VETRAZIONE**

Tj"jowf oepop"qf s"pqf sf "ej"wf usbepof "r vf rnf"di f "dvn qpsbop"ra" dprndubepof "jo"pqf sb"ej"rat usf "ej"wf usp")p qspewj"tjn rbsj"tf n qsf "dvn vor vf"jo" goepof "ej"tdi f sn p\*"tjb"jo" mdj"gttf "tjb"jo" bouf "gttf "p"n pcjrtj"ej gof tuf "-"qpsbgof tuf "p"qpsf /

Tj"jowf oepop"qf s"pqf sf "ej"tf ssnb f oujtjdb"r vf rnf"sf rhuw"brnb" dprndubepof "ej"tf ssnb f ouj")jogttj\*"of j"woj bqf sj"ef rnf"qbsj"n vsbsj"ef tjobuf "b"sjdf wf srtj

Mb"sf brneepof "ef rnf"pqf sf "ej"wf usbepof "ef wf "bwf ojsf "dpo"j"n buf sbrjlf "rnf"n pebrjw"qsf vjtuj"ebrtasphf up e"pwf "r vf t up"opo"tjb"tv gdjf ouf n f ouf "ef ubhrijub"vbrnpop"rnf"qsf tdsjepoj"tf hvf ouj/

b\* M"rat usf "ej"wf usp-"jo"sf rbeepof "brhrasp" dvn qpsubn f oup"n f ddbojdp-"ef wpop" f ttf sf "tdf rnf"uf of oep"dpoup ef rnf"rpsp"ejn f otjpoj-"ef rnf"tprndjubepoj"qsf vjtuf "epwuf "b" dbsjdp"ej"wf oup" f "of wf "-"brnf"tprndjubepoj epwuf "be"wf ouvbrjltcbujn f ouj" f e"brnf"ef gsn bepof"qsf wf ejcjrjlef rtf ssnb f oup/

Ef wpop"joprusf "f ttf sf "dpo"jef sbuf "qf s"ra" rpsp"tdf rnb"rnf" f tjhf oef "ej"jt prbn f oup"uf sn jdp-"bdvtjdp-"ej usbn jtj pof "mn joptb-"ej" usbtqbsf oeb"p" usbtmdjejw-"ej"tjvsvf eeb"tjb"bj" goj" boujogpsuovjtj"di f "ej sf tjtuf oeb"brnf" f gsbepoj-"bu"j"vboebrj"j" f dd/

Qf s"ra"vbrmubepof "ef rnf"ef hvbvf eeb"ef rnf"rat usf "brnf"qsf tdsjepoj"qsf ef wf "-"jo"n bodboeb"ej"qsf tdsjepoj of rhasphf up"tj"jowf oepop" bepurbj"j" dsjv sj" tubcjrj" of rnf"opsn f "VOK" qf s" rjt prbn f oup"uf sn jdp" f e bdvtjdp-"ra"tjvsvf eeb-"f dd/)"VOK'FO'23869" f "87: 8\*/

Hrjt n vtj"bj"cpsej" f "of hrjtbohprjlef wpop"qsf wf ojsf "qpttjcjrjlt dbhrjwv sf /

c\* K'n buf sbrjle"j"uf ovub-"tf "opo"qsf djt buj"of rhasphf up-"tj"jowf oepop"tdf rnf"jo"sf rbeepof "brnb"dpogsn bepof "f ejn f otjpoj"ef rnf"tdobrbwv sf ")p"cbuf ouf "bqf sup" dpo" g sn b"wf usp\*"qf s"r vboup"sjhvseb" rnf"tqf ttpsf "f ejn f otjpoj"jo"hf of sf "-"dbqbdjw"ej"bebubstj"brnf"ef gsn bepof" f rat udi f "ef"j"uf rbj"gttj" f e"bouf "bqsjcjrj"sf tjtuf oeb"brnf"tprndjubepoj"epwuf "bj"djdrj"uf sn pjhsn f usdj"uf ovup"dpoup"ef rnf"dpoejepoj"n jdspradbrij di f "tj"dsf bop"brnf"tuf sop"sjt qf up"brnf"ouf sop-"f dd/"f "uf ovup"dpoup"ef rnovn f sp-"qptjepof "f "dbsbuf sjt udi f ef"j"bttf rjle"j"bqqphjpb-"qf sjf sjdj" f "tqbepjbsj"/"Of rtdbtp"ej"rat usf "qptbu" f "of oeb"tf ssnb f oup"hrjlf rnf f ouj

ej" gttbhj" )trvbesf uf-" ujsbou-" f dd/\* ef wpop" bwf sf" bef hvbub" sf tjtuf eeb" n f ddbojdb-" f ttf sf  
 qsf f sjcjm f ouf " ej" n f ubmp" opo" f ssp" p" dnp vor vf" qspuf up" ebna" dpssptjpf /" Usb" hrf f rfn f ou" ej  
 gttbhj" f " r" r" t" usb" ef wf " f ttf sf " jof sqpt up" n buf sjbrf r" r" t" u" d" p" f " evsbcjrf bmf b" e" j" p" o" j" d" r" m" bydi f /  
 d\* Mb" qptb" jo" pqf sb" ef wf " bwf ojsf " qsf wjb" f rjm jobe" j" p" o" j" f " n buf sjbrf ebooptj" bmf r" t" usf -  
 tf ssbn f ouf " f dd/ " f " d" p" m" d" b" e" p" j" " b" t" t" f " r" t" e" j" b" q" p" h" j" p" " j" o" n pep" eb" d" s" u" sb" t" n f u" f " s" f " d" p" s" s" f " u" b" n f ouf " j" t" q" f " t" p  
 ef r" t" u" s" b" b" h" t" f " s" s" b" n f ouf " j" b" t" t" f " r" t" e" j" g" t" t" b" h" j" p" " t" f " s" w" p" o" p" " b" n bouf of sf " r" t" u" s" b" of r" t" u" s" b" q" p" t" j" e" j" p" o" f  
 qsf gttbub/ " M" r" t" u" s" b" di f " q" p" t" t" p" o" p" f ttf sf " v" s" u" b" u" f " ef w" p" o" p" f ttf sf " s" f " t" f " w" j" t" c" j" r" t" d" p" o" p" q" a" q" p" s" u" o" j" t" f " h" o" b" r" j"  
 ) n p" y" w" j" p" s" o" b" n f o" u" b" r" j" n b" o" j" h" r" t" i" -" f " d" d" /" \* " M" b" t" j" h" j" m" u" s" b" ef j" h" j" v" o" u" j" u" s" b" r" t" u" s" b" f " t" f " s" s" b" n f ouf " ef wf " f ttf sf  
 d" p" o" u" j" o" v" b" j" o" n pep" eb" f r" m" j" o" b" s" f " q" p" o" u" j" f " s" n j" d" j" f " e" " b" d" v" t" u" d" j" / " Q" f " s" j" t" j" h" j" m" o" u" j" f " h" r" t" b" e" f " t" j" w" j" t" j" e" f " w" p" o" p" s" j" t" q" f " u" b" s" f  
 r" n" q" s" f " t" d" s" j" e" j" p" o" j" q" s" f " w" j" t" u" f " e" b" r" h" d" c" c" s" j" d" b" o" u" f " q" f " s" r" t" a" q" s" f " q" b" s" b" e" j" p" o" f " r" n" d" p" o" e" j" e" j" p" o" j" b" n c" j" f " o" u" b" r" j" e" j" q" p" t" b" f " f " e" j  
 n b" o" v" u" f " o" e" j" p" o" f / " D" p" n" v" o" r" v" f " r" t" a" t" j" h" j" m" u" s" b" ef wf " f ttf sf " d" p" o" g" s" n" f " b" r" v" f " r" t" a" s" j" d" i" j" f " t" u" b" e" b" r" h" a" s" p" h" f " u" p" p" e  
 f g" f " u" w" b" u" b" t" v" j" q" s" p" e" u" j" v" j" n" e" b" o" u" j" q" f " s" r" v" b" r" j" o" b" s" f " j" t" t" f " s" s" b" n f ouf " o" f " r" t" v" p" j" o" t" j" f " n f / " M" f" t" f" d" v" e" j" p" o" f " f" g" f" u" w" b" u" b  
 t" f" d" p" o" e" p" r" t" a" o" p" s" n" b" VOK' FO" 23599" q" p" u" s" f" f" t" t" f" s" f" " d" p" o" t" j" e" f" s" b" u" b" d" p" o" g" s" n" f " b" r" n" s" j" d" i" j" f " t" u" b" e" f " r" h" a" s" f" t" f" o" u" f  
 D" b" a" j" u" p" r" a" u" p" o" f " j" r" m" j" u" e" j" v" b" r" j" e" j" u" e" f " r" t" a" o" p" s" n" b" t" u" f" t" t" b" /

Mb" Ejsf Ejpof "ef j" Mbvpsj" qf s" r" s" f b" r" e" e" j" p" o" f " p" q" f " s" f " s" u" j" d" p" n" f " t" f " h" v" f /  
 b\* Of r" t" a" p" s" t" p" e" f " r" n" t" f" d" v" e" j" p" o" f " e" f " j" r" t" a" v" p" s" j" ) d" p" o" s" j" g" s" j" n" f" o" u" p" b" j" u" f" n" q" j" f" e" " b" r" n" i" q" s" p" d" f" e" v" s" f " \* " v" f" s" j" g" d" i" f" s" u" j" v" j" b" v" j" b" d" i" f " j"  
 n" b" u" f" s" j" b" r" j" n" q" j" f" h" b" u" j" f " r" i" u" f" d" o" j" d" i" f " e" j" q" p" t" b" t" j" b" o" p" f " g" f" u" j" v" b" n" f" o" u" f" r" v" f " r" i" n" q" s" f" t" d" s" j" u" f /  
 K" o" q" b" s" u" j" d" p" r" a" s" f " v" f" s" j" g" d" i" f" s" u" j" r" a" s" f" b" r" e" e" j" p" o" f " e" f " r" i" n" t" j" h" j" m" u" s" f " u" s" b" r" t" u" s" b" e" j" w" u" s" p" f " u" f" r" o" j" f " u" s" b" j" u" f" r" o" j" g" t" t" j" f" e" j"  
 d" p" o" u" s" u" f" r" o" j" < r" t" a" t" f" d" v" e" j" p" o" f " e" f " j" g" t" t" b" h" j" q" f " s" r" i" n" r" t" u" s" b" o" p" o" j" o" u" f" r" o" j" b" u" f " < j" r" h" s" i" t" q" u" p" e" f " r" i" n" q" s" f" t" d" s" j" e" j" p" o" j" e" j"  
 q" s" p" h" f" u" p" e" f " r" t" a" b" a" j" u" p" r" a" u" p" f " e" f " r" t" a" s" p" e" v" u" p" s" f " q" f" s" j" t" f" s" s" b" n" f" o" u" j" d" p" o" b" r" a" s" f " q" s" f" t" u" b" e" j" p" o" j /  
 c\* B" d" p" o" d" r" m" t" j" p" o" f " e" f " j" r" t" a" v" p" s" j" t" t" f" h" v" j" s" u" w" s" j" g" d" i" f " w" j" t" j" v" f " e" f " r" t" a" d" p" s" s" f" u" b" n" f" t" t" b" j" o" p" q" f" s" b" f " e" f " r" t" a" d" p" n" q" r" i" u" f " e" b" e" f" j"  
 h" j" v" o" u" j" t" j" h" j" m" u" s" f " -" f" d" d" / " F" t" f" h" v" j" s" u" d" p" o" u" s" p" r" i" t" p" s" j" f" o" u" b" u" j" v" j" d" s" c" b" r" a" g" s" e" b" e" j" b" a" q" f" s" u" s" b" f " d" i" j" v" t" v" s" b" e" f" j" t" f" s" s" b" n" f" o" u" j"  
 ) t" u" j" n" b" o" e" p" r" i" n" d" p" o" r" t" a" g" s" e" b" d" p" s" q" p" s" f" b" o" f" d" f" t" t" b" s" j" b" \* " r" t" o" t" t" f" o" e" b" e" j" q" v" o" u" j" e" j" b" u" s" j" u" p" o" p" o" q" s" f" w" j" t" u" j" -" f " f " q" s" p" w" f  
 p" s" j" f" o" u" b" u" j" v" f " e" j" u" f" o" v" u" b" b" r" i" n" d" r" v" b" -" d" p" o" t" q" s" v" e" e" b" u" s" j" b" a" q" j" p" h" h" j" b" -" f" e" " b" r" i" n" o" s" j" b" -" d" p" o" r" v" t" p" e" j" g" y" n" p" h" f" o" j" -" f" d" d /  
 O" f " r" i" n" h" s" b" o" e" j" p" q" f" s" f " j" d" p" o" u" s" p" r" i" t" q" s" f" e" f" u" j" q" p" u" s" b" o" o" p" b" w" f" s" f " d" b" s" b" u" f" s" f " d" b" t" v" b" r" i" n" f " t" u" b" j" t" u" d" j" p /  
 B" v" s" u" j" d" v" s" b" e" j" d" o" s" b" h" h" j" p" s" o" b" s" f " f " s" b" d" d" p" h" r" i" f" s" f " j" e" j" t" f" h" o" j" d" p" t" u" s" u" j" v" j" q" j" o" t" j" h" o" j" g" d" b" u" j" v" j" v" o" j" u" b" n" f" o" u" f " b" r" n" i  
 e" f" t" d" s" j" e" j" p" o" f " f" o" p" t" d" i" f" e" f " u" f" d" o" j" d" i" f " e" f" j" q" s" p" e" u" j" j" n" q" j" f" h" b" u" j" ) t" a" q" d" j" b" r" n" f" o" u" f " r" v" f " r" i" t" o" p" o" w" j" t" c" j" r" t" i" b" e" p" q" f" s" b  
 v" r" j" n" b" u" b" \* " f " r" i" n" q" s" f" t" d" s" j" e" j" p" o" j" b" u" j" o" f" o" u" j" r" t" a" t" v" d" d" f" t" t" j" w" b" n" b" o" v" u" f" o" e" j" p" o" f /

Uvuj" j" aspepuj" f Op" n buf sjbrf e" j" dvj" brtqsf tf ouf " bsjdprp" r vbrpsb" qpttbop" f ttf sf " epubj" ej" n bsdubw" DF  
 tf dpoep" r" t" a" o" p" s" n" b" u" j" v" b" u" f" d" o" j" d" b" v" j" h" f" o" u" f " e" p" w" s" b" o" o" p" f" t" t" f" s" f" n" v" o" j" u" j" e" j" u" b" r" i" n" n" b" s" d" i" j" p /

8.15.1) Strutture in vetro

Of r" t" a" b" t" p" e" j" v" j" n" e" e" p" t" u" s" v" u" s" b" r" i" n" e" f" r" t" w" u" s" p" t" j" d" o" s" j" s" j" g" s" j" n" f" o" u" p" b" r" n" i" M" o" f" f " H" v" j" e" b" " D" O" S" " E" U" " 321 " % " t" u" s" v" e" j" p" o" j" q" f" s" r" t" a  
 Q" s" p" h" f" u" b" e" j" p" o" f " -" r" i" n" t" f" d" v" e" j" p" o" f " f" e" " j" r" i" n" d" p" o" u" s" p" r" i" t" e" j" d" p" t" u" s" v" e" j" p" o" j" d" p" o" f" r" i" n" f" o" u" j" T" u" s" v" u" s" b" r" i" t" e" j" W" u" s" p" % " f" e" " b" r" n" i" o" p" s" n" b" VOK  
 FO" 24133.3" j" o" n" f" s" j" u" p" b" r" n" i" q" p" t" b" f " t" j" h" j" m" u" s" b" e" f" h" r" t" i" f" r" i" n" f" o" u" j" -" o" f " r" t" u" j" d" b" e" j" v" o" b" q" a" q" s" p" d" d" i" p" % " d" j" r" i" t" b" g" f" %  
 e" f " r" t" a" q" r" j" o" b" e" j" p" o" f " ) j" o" d" b" t" p" e" j" d" s" i" t" e" j" v" o" p" p" q" j" o" d" p" n" q" p" o" f" o" u" j" o" p" o" t" j" e" f" w" f " d" p" n" q" s" p" n" f" u" f" s" f " r" t" a" t" j" d" v" s" f " e" b" e" f" r" i" n" j" o" u" f" s" b  
 t" u" s" v" u" s" b" p" b" s" s" f" d" b" s" f " e" b" o" o" j" b" q" f" s" t" p" o" f " p" b" e" " b" r" a" s" j" t" j" t" u" f" n" j" j" o" u" f" s" d" p" o" o" f" t" t" j" p" e" p" q" f" s" b" o" u" j" j" o" q" s" p" t" t" j" n" j" u" j" /  
 M" b" t" d" f " r" t" a" e" f" r" t" u" j" q" p" e" j" w" u" s" p" e" b" v" u" j" n" e" e" b" s" f " e" j" a" q" o" e" f" s" u" j" e" b" v" b" s" j" c" h" u" p" s" j" ) q" s" p" h" f" u" w" b" r" i" z" r" v" b" r" j" o" u" j" v" j" -" t" u" s" v" u" s" b" r" i" n" f" d" d" /  
 U" s" b" r" v" f" t" u" j" -" j" r" t" a" d" n" q" p" s" u" b" n" f" o" u" p" q" p" t" u" s" p" u" w" s" b" e" f" r" i" n" f" r" i" n" f" o" u" p" e" p" w" s" u" j" f" t" t" f" s" f " v" b" r" i" n" u" b" u" p" q" s" j" o" d" j" q" b" m" f" o" u" f" j" o" c" b" t" f " b" r" t" u" j" q" p  
 e" j" w" u" s" p" v" u" j" n" e" e" b" u" p" ) g" r" a" b" u" j" o" e" v" s" j" u" p" -" u" f" n" q" f" s" b" u" p" p" d" p" n" c" j" o" b" e" j" p" o" f " e" j" r" v" f" t" u" j" \* " e" b" r" n" i" t" d" i" f" n" b" e" j" v" j" o" d" p" r" a" f " e" b" r" n" i  
 f" w" o" u" b" r" i" n" b" t" t" p" d" j" b" e" j" p" o" f " d" p" o" b" r" a" s" j" n" b" u" f" s" j" b" r" i" j" ) j" o" u" f" s" d" b" r" a" s" j" q" f" s" t" u" s" u" j" g" d" b" -" s" j" o" g" p" s" e" j" -" u" j" s" b" o" u" j" \* " T" j" s" j" q" p" s" u" b" e" j" t" f" h" v" j" u" p  
 v" o" j" o" e" j" d" b" e" j" p" o" f " r" v" b" r" j" o" u" j" v" b" e" f" r" t" a" d" b" q" b" d" j" u" j" q" p" t" u" s" p" u" w" s" b" e" j" q" p" s" u" b" s" f " j" j" d" b" s" j" d" i" j" e" j" v" o" w" u" s" p" t" u" s" u" j" g" d" b" u" p" j" o" g" o" e" j" p" o" f  
 e" f " r" t" a" u" j" q" p" r" h" j" b" e" f" j" w" u" s" j" ) U" b" c" f " r" t" a" 2 \* /

. "Tabella 1". "Koejdb" e" j" p" o" j" r" v" b" r" j" o" u" j" v" j" t" v" r" n" i" d" b" q" b" d" j" u" j" q" p" s" b" o" u" f " q" p" t" u" s" p" u" w" s" b" e" j" v" o" w" u" s" p" t" u" s" u" j" g" d" b" u" p" j" o" g" o" e" j" p" o" f " e" f" r" t" u" j" q" p" e" j" w" u" s" p /

Tipo di vetro stratificato	
Sjdpup", "Sjdpup	Ko"hf of sbrfn" cvpob" qsf t ubejpof -" qsjodjqbm f ouf "hsb" e" j" f " b" r" n" i" n" s" b" o" e" j" e" j" n" f" o" t" j" p" o" j" e" f" j" g" s" b" n" f" o" u" j" -" d" i" f " n" b" o" u" f" o" h" p" o" p" v" o" b" c" v" p" o" b" b" e" f" t" j" p" o" f" -" b" o" d" i" f " t" f " w" b" d" p" o" t" j" e" f" s" b" u" p" d" i" f " j" c" p" s" e" j" u" b" h" r" i" j" o" u" j" e" f" r" i" n" g" s" b" u" w" s" f " q" p" t" t" p" o" p" u" b" r" o" p" r" t" a" e" b" o" o" f" h" h" j" b" s" f " r" i" j" o" u" f" s" d" b" r" a" s" f /
Koevsjup, "Koevsjup	Qsf t ubejpof "qbsbhpobcjrnf" b" r" i" n" S" j" d" p" u" p" , " S" j" d" p" u" p" •
Uf n qf sbup", "Uf n qf sbup")uf sn jdp*	Tdbsb" qsf t ubejpof "dpo" jof sdbrasj" e" f" g" s" n" b" c" j" r" t" i" f" t" / " Q" V" C" * " M" b" q" s" f" t" u" b" e" j" p" o" f " n" h" j" r" i" p" s" b" b" r" i" n" o" v" n" f" o" u" s" f" e" f" r" t" a" s" j" h" e" f" e" b" e" f" r" i" j" o" u" f" s" d" b" r" a" s" f " ) f" t" / " Q" r" i" n" f" s" j" j" o" p" a" r" t" a" t" u" d" j" * " K" g" s" b" n" f" o" u" j" -" a" j" d" d" p" r" i" j" f " o" p" o" u" b" h" r" i" j" o" u" j" -" o" p" o" e" b" o" o" f" h" h" j" b" o" p" r" i" j" o" u" f" s" d" b" r" a" s" f " n" b" t" p" o" p" n" b" h" h" j" p" s" n" f" o" u" f " t" p" h" h" f" u" j" b" e" j" t" u" b" d" d" i" j /
Uf n qf sbup", "Koevsjup	Qsf t ubejpof "jof sn f e" j" b" / " K" o" h" f" o" f" s" b" r" i" n" v" o" c" v" p" o" b" d" p" n" q" s" p" n" f" t" t" p" g" s" b" d" b" q" b" d" j" u" j" q" p" s" b" o" u" f " q" p" t" u" s" p" u" w" s" b" f " s" j" d" i" j" j" o" e" p" u" j" e" b" r" n" i" g" s" b" n" f" o" u" b" e" j" p" o" f /

Uf n qf sbup", "Koevsjup"di jn jdbn f ouf	Cvpob"qsf tubejpof "jo"r vboup"gn n f ouj"ej"hsboej"ejn f otjpoj/"Eb"dpot.j.ef sbstj"dpn vor vf "dpo hsboef "dbvuf rta"jo"r vboup"ra"spuwsb"à" f tuf n bn f o.uf "gshjrf" "rjn qspwjt"p"sjtat djp"ej" f of shj b qv1 "qspwpdbsf "jrtupnatt p/
---	---

Of rta" Ubcf rta" 3" tj" sqpsbop" joejdbepoj" r vrbjrbujvf " tvrta" dbqbdjw" qpsbouf " qptu spuw sb" ej" vo" wf usp tusujgdbup"jo"gyoepof "ef rhuqep"ej"vjodprp/

. "Tabella 2". "Koejdbepoj"r vrbjrbujvf "tvrta"dbqbdjw"qpsbouf "qptu spuw sb"ej"vo"wf usp"tusujgdbup"jo"gyoepof "ef rhuqep"ej"vjodprp/

Tipo di vincolo	
Bqqphhj"dpoujovp"tvrtqf sijn f usp	Qsf tubejpof "jo"hf of sbrfn"cvpob-"di f "n jhrjpsb"brntv n f oubsf "ef rta"qspgoejw"ej"bqqphhj/
Vf usbejpoj"dpocpsej"jodprtauj"brntf rtauj	Qsf tubejpof " jo" hf of sbrfn" cvpob-" jo" r vboup" rjodprtauj" ef rh cpsep" ef rta" wf usbejpoj-" tf dpssf ubn f ouf "ejn f otjpopub-"hsboejt df "jrtm bouf ojn f oup"ef rta"dpoejepoj"ej"vjodprp"ef rta"rta usb jo"dbtp"ej"spuw sb/
Bqqphhj"tv"evf "rtuj	Eb" dpotjef sbsf " dpo" dbvuf rta/" Ef wf " f ttf sf " ejn f otjpopub" bddvsubn f ouf " rta" qspgoejw" ej bqqphhj"qf s"jrtat di jp"ej"dbewb-"of rtdbt p"ej"gsuj"jogfrit jpoj"dpn f "r vf rta"di f "tj"n bojftubop of rta"qptu spuw sb"ef j"wf usj/
Bqqphhj"qvovbrfn"dpoejt qptjvjv qbtbtbouj"cpsdi jf "f "gsj"djraesjcdj	Cvpob" qsf tubejpof -" jo" r vboup" rta" cpsdi jb" jn qf ejt df " rta" tgrta n f oup" ef rh wf usp" spup/" Mb qsf tubejpof "n jhrjpsb"brntv n f oubsf "ef rta"sf tjt uf oeb"ef rta"ouf sbrtasf /
Bqqphhj"qvovbrfn"dpoejt qptjvjv qbtbtbouj" f "gsj"t vbt buj	Eb" dpotjef sbsf " dpo" dbvuf rta-"jo"r vboup"jo"dbtp"ej"spuw sb"rta"brntv n f oubsf "ef rta"qspgoejw"ej" bqqphhj"jn qf t bhhhj"opo"ptubdrta"rta"tgrta n f oup/"Tf "of "t dpotjhrta"rta"qspgoejpof "of rtdbt p"ej"rta usf "baqf tf )bhhbodjp"brntv usbeptt p"ef rta"rta usb*/
Bqqphhj"qvovbrfn"dpoejt qptjvjv qbtbtbouj" n pst f up•	Eb" dpotjef sbsf " dpo" dbvuf rta/" Eb" vbrntv n f oubsf " dpo" buf oepof " rta" n pst bn f oup-" qf s" dpouf of sf " j sjt di j"ej"ejt uddp"of rtdbt p"ej"gsuj"jogfrit jpoj/
Bqqphhj"qvovbrfn"dpoejt qptjvjv qbtbtbouf tprp"vop"tusub	Eb" dpotjef sbsf " dpo" dbvuf rta"qf s"jrtat sjdprp"ej"tgrta n f oup"of rtdbt p"ej"spuw sb"rta"brntv n f oubsf "ef rta"qspgoejw"ej" bqqphhj"jn qf t bhhhj"opo"ptubdrta"rta"tgrta n f oup/"Tf "of "t dpotjhrta"rta"qspgoejpof "of rtdbt p"ej"rta usf "baqf tf )bhhbodjp"brntv usbeptt p"ef rta"rta usb*/

K'wf usj"t usuw sbrj"qpusboop"qsf wf ef sf "ejwf stf "ujqprphj"ej"bhhbodjp;

K'wf usj"di f "vujreep"rotules con foratura passante"qpttpop"fttf sf "tjohprj"tusujgdbuj" f "wf uspdn f sb/ Dj"ef wf "f ttf sf "tn qsf "bm f op"vo"wf usp"uf n qf sbup"dpoejt qptjvjv"usubn f oup" I TU")I f bu"Tpbl f e"Ui f sn brntv upvhi f of e"tbf u"hrta"\*/"Koduj"fttf oep"gsuj"j"wf usj"ef wop"sf tjt uf sf "brntv" f rta"vuf "dpodf ousbejpoj"ej"uf otjpoj di f "tj"gsn bop"jo"qspttjn jw"ef j"gsj"epwf "brntv"bop"rta"spuwrft")Wf ej"rta"Ubcf rta"4\*/

. "Tabella 3". "Ujqp"ej"wf usp"qf s" f rta" f ouj"t usuw sbrj"wf usuj"tpt uf ovj"qf s"qvouj"dpoejt qptjvjv"qbtbtbouf /

Vetri con foratura passante			
Tipo di vetro	Natura dei componenti	Parete verticale	Parete orizzontale <sup>2</sup>
Monolitico	Uf n qf sbup	TK <sup>3</sup>	OP
	Koevsjup	TK <sup>3</sup>	OP
	Sjdpup	OP	OP
Stratificato	Sjdpup0Sjdpup Sjdpup0Koevsjup Sjdpup0Uf n qf sbup	OP	OP
	Koevsjup0Koevsjup	TK <sup>4</sup>	TK
	Koevsjup0Uf n qf sbup	TK <sup>4</sup>	TK
	Uf n qf sbup0Uf n qf sbup	TK <sup>4</sup>	TK <sup>4</sup>
Vetrocamera	elemento A	elemento B	



	Koefvsjup	Koefvsjup	TK	TK
	Koefvsjup	Uf n qf sbup	TK	TK
	Uf n qf sbup	Uf n qf sbup	TK	TK

)2\*\*Qbsf u'jodriobuf "ej"pruf "26±sjt qf up"bntv'wf sjdbrn'di f "tj"bgpddjop'tv'vob'epob'pddvqub/  
)3\*\*Be" f ddf E'pof "ef j"qbsqf u'j"qf sdi è"ra"opsn b"VOK'87: 8"qf s"ra"tjdvf eeb'ef nri'wf usbejpoj"jn q'pof "e"vujjebsf "vo"wf .usp"t usbjgdbup"ej  
drtt f "ej"sf tjt uf oeb"bntv'sup"df sujgdbub'2)C\*2"tf dpoep"VOK'FO"23711/  
)4\*\*Q' s"ra"qspuf E'pof "dpousp"rri'dbevuf "ra"wf usbejpoj"ef wf "f ttf sf "ej"drtt f "ej"sf tjt uf oeb"bntv'sup"df sujgdbub'2)C\*2"tf dpoep"VOK'FO"23711  
d'pn f "sdi jf t up"eb"VOK'87: 8/  
)5\*\*M'p"t usbjgdbup"uf n qf sbupUf n qf sbup"à"qjò"bebup"bntv' qbsf u'j"wf sjdbrn'qf s"rri"dpqf svsf "à"dpot jhriob'jri"bepubsf "ra"dpn qpt j'epof  
uf n qf sbupQoefvsjup

K' wf usj" qf s" **rotules con foratura non passante** " qpttpop" f ttf sf " t'johprj" t usbjgdbu" f " wf uspbn f sb/  
Djbt dvob" ef nri" qsf df ef ouj" d'pn qpt j'epoj" qvì " f ttf sf " sf b'ieeb" dpo" wf usj" di f " bccjop" tv'c'jup" j" tf hvf ouj  
usbubn f ouj"uf sn j'j"K'hwf usp"t'johprj")n popri'jdp\*"ef wf "f ttf sf "uf n qf sbup" f "dpo"usbubn f oup" I TU-"n b"opo"qvì  
f ttf sf "vtbup"qf s"j"qbsqf u'j")pwwf sp"r vboep"dj"t'pop"sjt di j"ej"dbevub"of r'hw'pup\*-<à"eb" f vj'ubsf "r'vujjebsf"ej"wf usp  
sjdpup"n popri'jdp/"K'hwf usp"t usbjgdbup" dpo"vo"jodriob'epof "sjt qf up"bntv'wf sjdbrn'dpn qsf tb"usb"1±"f "6±"ef wf  
b'wf sf "vob"qpsubsb"di f "j'ouf sf tjt" bodi f "j'hwf usp" f tuf sop;"ra"ra"usb" f tuf sob"t'bsU"uf n qf sbub"qf s"n jhriob'sbf "ra  
sf tjt uf oeb" bntv'uf otjpoj" r'pdrjz' ra"ra"usb" j'ouf sob"opo" ef wf "f ttf sf "uf n qf sbub"qf s" puf of sf "vob"n pebrjw"ej  
gsbn n f oubej'pof "di f "dpot f oub"vob"sf tjev'b"dpf t'j'pof "qpt u' spuwsb/"K'hwf uspbn f sb" ef wf "b'wf sf "r'jodp'ri'hhj'p  
t usv'wsbrn'ef j"cpsej/"K'ujqj"ej"wf usp"dpot jhriob'j'pop"joejdbu"of nri"Ubcf nri"5/

. "Tabella 4". "Ujap"ej"wf usp"qf s"rri'n f ouj"t usv'wsbrn'wf usbj"t'pt uf ovuj"qf s"qvouj" dpo"qpsubsb"opo"qbt t'bof /

Vetri con foratura non passante				
Tipo di vetro	Natura dei componenti		Parete verticale	Parete orizzontale <sup>2</sup>
<b>Monolitico</b>	Uf n qf sbup		TK <sup>3</sup>	OP
	Koefvsjup		TK <sup>3</sup>	OP
	Sjdpup		OP	OP
<b>Stratificato</b>	Sjdpup0Sjdpup Sjdpup0Koefvsjup Sjdpup0Uf n qf sbup		OP	OP
	Koefvsjup0Koefvsjup		TK <sup>4</sup>	TK
	Koefvsjup0Uf n qf sbup		TK <sup>1</sup> -dpo"qpsubsb"bntv' f op'ef nri"t usbjgdbup"joevsjup <sup>5</sup>	
	Uf n qf sbup0Uf n qf sbup		OP	OP
<b>Vetrocamera</b>	<b>elemento A</b>	<b>elemento B</b>		
	Koefvsjup	Koefvsjup	TK	TK
	Koefvsjup	Uf n qf sbup	TK	TK
	Uf n qf sbup	Uf n qf sbup	TK	TK

)2\*\*Qbsf u'jodriobuf "ej"pruf "26±sjt qf up"bntv'wf sjdbrn'di f "tj"bgpddjop'tv'vob'epob'pddvqub/  
)3\*\*Be" f ddf E'pof "ef j"qbsqf u'j"qf sdi è"ra"opsn b"VOK'87: 8"qf s"ra"tjdvf eeb'ef nri'wf usbejpoj"jn q'pof "e"vujjebsf "vo"wf .usp"t usbjgdbup"ej  
drtt f "ej"sf tjt uf oeb"bntv'sup"df sujgdbub'2)C\*2"tf dpoep"VOK'FO"23711/  
)4\*\*Q' s"ra"qspuf E'pof "dpousp"rri'dbevuf "ra"wf usbejpoj"ef wf "f ttf sf "ej"drtt f "ej"sf tjt uf oeb"bntv'sup"df sujgdbub'2)C\*2"tf dpoep"VOK'FO"23711  
jVOK'87: 8\_  
)5\*\*Tj"sjdi jf ef "ra"qpsubsb"bntv' f op'ef nri"t usbjgdbup"joevsjup"jo"r vboep"j'hwf usp"uf n qf sbup"à"t'p'phf up"be"vob"n pebrjw"ej"gsbn n f oubej'pof "jo  
qjddp'j'qf eeb"bntv'eb"opo"hsboe'j"di f "ra"spu'ri"qpt t'b'sjn bof sf "bub'ddbub"bntv' usp"jo"dbt p'ej"spuwsb"ef r'it'boof nri"b'p' spuwsb"ef r'hwf usp  
joevsjup"jo"r rri'n f ouj"qjò"hsboe'j"qf sn f uf sf ccf" d'pn vor vf "bntv' usp"t usbjgdbup"ej"sjn b. of sf "dpf t'p" f "bodpsb"dpnri'bhup"br'it' t'bhj'p  
)6\*\*K'hwf usp"bn f sb"ef wf "b'wf sf "r'jodp'ri'hhj'p"t usv'wsbrn'mohp"j"cpsej/

K' wf usj" qf s" **rotules senza foratura** " Ubcf nri" 6\*\* qpttpop" f ttf sf " t'johprj" t usbjgdbu" f " wf uspbn f sb/  
Djbt dvob" ef nri" qsf df ef ouj" d'pn qpt j'epoj" qvì " f ttf sf " sf b'ieeb" dpo" wf usj" di f " bccjop" tv'c'jup" j" usubn f ouj  
uf sn j'j"ej"joevsjn f oup"p"uf n qf sb'f "dpot f hvf ouf "usbubn f oup" I TU/

. "Tabella 5". "Ujqp"ej"wf usp"qf s'f rfn f ouj"t usvwsbjldpo"bhhbodjp"tf oeb"gsbwsb"ef rfw usp/

Vetri non forati				
Tipo di vetro	Natura dei componenti		Parete verticale	Parete orizzontale <sup>2</sup>
Monolitico	Uf n qf sbup		TK <sup>3</sup>	OP
	Koevsjup		TK <sup>3</sup>	OP
	Sjdpup		OP	OP
Stratificato	Sjdpup0Koevsjup Sjdpup0Uf n qf sbup Koevsjup0Koevsjup Koevsjup0Uf n qf sbup		TK <sup>4</sup>	TK
	Sjdpup0Sjdpup <sup>5</sup>		TK <sup>4</sup>	
	Uf n qf sbup0Uf n qf sbup		OP	OP
Vetrocamera	elemento A	elemento B		
	Koevsjup	Koevsjup	TK	TK
	Koevsjup	Uf n qf sbup	TK	TK
	Uf n qf sbup	Uf n qf sbup	TK	TK

)2\*Qbsf u"jodrbobuf "ej"pruf "26#sjt qf up"brn"vf sjdbrn"di f "tj"bgddjibop"tv"vob"Epob"pddvqbub/  
 )3\*Be"fd ddf Ejpof "ef j"qbsbqf uj"qf sdi è"rn"opsn b"VOK'87: 8"qf s"rn"tjdvf eeb"ef rfn"wf usbEjpoj"jn qpof "e"vujjeb"vo"wf .usp"t usbjgdbup"ej  
 drttf "ej"sf tjtuf oeb"brn"sup"df sjgdbub"2)C\*2"tf dpoep"VOK'FO"23711/  
 )4\*Qf s"rn"qspuf Ejpof "dpous"rn"dbevuf "rn"wf usbEjpoj"ef wf "f ttf sf "ej"drttf "ej"sf tjtuf oeb"brn"sup"df sjgdbub"2)C\*2"tf dpoep"VOK'FO"23711  
 ]VOK'87: 8\_  
 )5\*Mb"drttf "ef rfw usp"2)C\*2"ejgjdjm f ouf "qvi" f ttf sf "puf ovub"dpn"rn"dpn qptjEjpoj" Sjdpup.Sjdpup/

Qf s" r vf hrjl f rfn f ouj" t phhf uj" bodi f " b" qbsbjdrbsj" bEjpoj" bouspqjdi f -" r vbrjl qbsbqf uj" f " cbssj sf -" pddpsf sjdpsebsf "di f "joejdbEjpoj"sjhvbspep"brn"tjdvf eeb"jo"vtp"t pop"sjqpsubuf "bodi f "jo"t qf djgdi f "opsn f "ej"qspewp-  
 gb"rn"r vbrjl"rn"VOK'FO"23711-"VOK'21917-"VOK'2191: -"VOK'FO"2512: -"VOK'FO"23261/

Vo(joejdbEjpoj" tvrhjqp" ej" wf usp" eb" vujjeb"stj" bj" goj" ef rhdpn qpsubn f oup" qpt uspuwsb" à" sjqpsubub" of rn  
 Ubcf rn"7/"M "drttj"ej" qsf t ubEjpoj"brn"jn qbup"vujjeb"bcj"qf s"rn"vbsj" bqqrjdbEjpoj" f ejjEj"ej" wf usp" qjbop"t pop  
 qsf vjtuf "of rn"VOK'FO"23711/

. "Tabella 6". "Ujqp"rhjb"ej"wf usp"ej"wf usp"qf s'qbsbqf uj" f "cbssj sf /

Tipo di vetro	Natura dei componenti	Elemento verticale	Classe prestazionale minima di resistenza all'impatto di cui alla UNI EN 12660 secondo la UNI 7697
N poprjgdp	Uf n qf sbup	TK)tf"rn" spwsb" ef rhdpn qpof ouf " opo dpn qpsb"dbevuf "of rfw pup*	
T usbjgdbup	Uf n qf sbup0Uf n qf sbup	TK Qf s"qbsbqf uj"b"gtt bhj"qvowbrn"ef rfn wf usbEjpoj"wf ef sf "Ubcf rn"4/6.4/7.4/8"jo goEjpoj" ef rhjqp" ej" gsb.wsb" qsf vjt ub ebrjtt bhj"vujjeb	Kò" goEjpoj" ef rn"qqrjdbEjpoj"-tf dpoep r vbop"qsf vjt up"eb"rn"opsn b"VOK'87: 8/ )Ftfn ajp;" drttf " 2)C*2" jo" dbtp" ej sjt di jp"ej"dbevub"of rfw pup*
	Uf n qf sbup0Koevsjup Uf n qf sbup0Sjdpup		
	Koevsjup0Koevsjup Koevsjup0Sjdpup Sjdpup0Sjdpup		

Opb;"Mb"VOK'87: 8"joejdb"ej"jn qj f hbsf "wf usp"t usbjgdbup"of rhdtp"jo"dvj"tj"qptt b"wf sjgdb"dbevub"of rfw pup/

**Art. 8.16**  
**OPERE DA CARPENTIERE**

M "pqf sf "eb" dbsqf ouf sf "sjhvbsbop" hf of sbm f ouf "ra" sf brjebjpoj "ej" dbttf gsn f -"pttjb" vo" jotjf n f "ej f rfn f ouj" qjboj "dvsj" f "ej" ejt qptjvj "qf s" rntttf n crbhj "f" ra" n pwjn f ouejoj "di f "ef wpop" t wprhf sf "ra" gvojoj "ej" dpouf ojn f oup" ef rnsn buwsb" n f brjebjpoj "f" ef rthf up" ej" dpohrn f sbup" df n f ouejoj "evsbouf" jrhqf sjep" ef rnt qsf tb/"Ko" qbsjdprtsf -"tj" ef gojtdf "dbttf sbuwsb" p" qjò" tf n qjòf n f ouf "dbttf sj" rjotjf n f "ef hjf rfn f ouj" qf spqjò jo" rfnhop" di f "dpouf ohpop" jrhf up" ej" dpohrn f sbup" df n f ouejoj "di f "sjqspevdpop" g ef m f ouf "ra" gsn b" ef rnt tusvwsb" eb" sf brjebjpoj "n f ouf "tj" ef gojtdf "cbodi jobhhj" rntttf n crbhj "ej" wuj" hjf rfn f ouj" ej" tptuf hop/

Mb" dbttbgsn b" à" r vjoej- " vo" tjtuf n b" buup" b" sf brjebjpoj " vo" n bovduup" jo" dbrdf tusvvoj " dpo" ef uf sn jobuf dbsuf sjtjdi f "ej" gsn b" f "r vbrjw/" Mb" r vbrjw" ef rfn bovduup" ejqf oef "bodi f "ebrfn" ef gsn bejoj "f" ebnt" gojwsb tvqf sgdjbrn/" Wf ej" rntbqjup "Rvbrjw" ef j" n buf sbrj "ef j" dpn qvof ouj\*

- Brjgof "ej" dpotf hvjsf "rnt" dbsuf sjtjdi f "sdi jf tuf -" rnt" qsf tbejoj "ef rnt" dbttf gsn f "tpop" jogmf oebuf "eb;
- . "rnt" qf djdi f "ej" qshf up" ef rnt bovduup <
- . "rnt" n pebrjw" ej" dpt usvvoj "ef rnt bovduup <
- . "rnt" qspqsj w" ef rnt dbrdf tusvvoj <
- . "rnt" n pebrjw" ej" tf dvej "ef rnt up/

Mb" opsn b "VOK'22874.2" gsojtdf "j" sf r vjtj "hf of sbrj" qf s" ra" qshf ubjoj "ra" dpt usvvoj "f" rnt vj "ef rnt dbttf gsn f " w" sgdjbrn dpn qvof rj "f" opo- " ef tjobuf " bnt" sf brjebjpoj " ej" busf ebwsf " qspwjtpobj " busf " b dpouf of sf " jrh dbrdf tusvvoj " evsbouf " jrh hf up" f " ra" n buwsbjoj " dpsf ebuf " eb" tjtuf n j" f Op" tusvwsf " ej tbcjebjoj " f Op" ej" qvof rnt f oup" ej" dpouf up/

K' dbttf sj" qpusboop" f ttf sf "jo" rfnhop" hsf "p" rntwpsbup- " n b" bodi f "jo" n buf sbrn" qrttj " QMD\* " jo" n f brjebjpoj " jo FQT- " f dd/

Mbeef up" bnt" qspg ttjpoj "ej" dbsqf ouf sf -"tf dpoep" j" sf r vjtj -" rnt" dpotf oef "f" rnt bcjw" ef ubuf "ebnt" opsn b VOK'22853- " epws" qsf tbsf "qbsjdprtsf" busf ojoj "brnt" lbwprn" jo" rfnhop" hsf "ep" bgjodi "à" tjbop" jepof f "f" cbhobuf qsjn b" ef rthf up" qf s" f vjbsf " di f " bttpscobp" bdr vb" ebnt" qbtup" df n f ouejoj "f" -"tf" bvupsjebup- " usubuf " dpo ejtbsn bouf " qf s" jn qf ejsf " rnt" ef sf oeb" bnt dbrdf tusvvoj / " Ko" qspqptjup" tbsboop" qspqf ef vjdi f "rnt" joejdbjoj "ef rnt Ejsf "ep" " rntwpsj/

Ko" hf of sbrn- " jrh poubhj " ej" dbttf gsn f "jo" rfnhop" f e" jrhf rntwpsbup" n poubhj " bwf ss" tf dpoep" rnt" tf hvf ouj n pebrjw;

- . "bqqspwjhpobn f oup" f "n pwjn f ouejoj "ef rnt" dbttf sbwsf "f" e" bsn buwsf "ej" tptuf hop
- . "brnt" jn f oup" ef rntsf b" of dttbsj "qf s" ra" rntwpsbjoj "ef j" dbttf sj
- . "sf brjebjpoj "ef rnt" lbwprn" jo" rfnhop" n f ejsouf "lbhj" dpo" tf hb" djsdprtsf
- . "qptjebpobn f oup" ef j" dbttf sj" ef rnt" bsn buwsf "ej" tptuf hop" p" cbodi jobhhj- "tf dpoep" rnt" n pebrjw" ej" qshf up
- . "ejtbsn p" ef rnt" dbttf sbwsf
- . "bdbubt ubn f oup" f "qvjeb" ef rnt" dbttf sbwsf

Of rnt" tf dvej "ef rnt" pqf sb" qpus" f ttf sf "sdi jf tuf" rnt" vj "ej" n bdi jof -" busf ebwsf -" tptuboef " di jn jdi f " ) prj ejtbsn bouf -" f dd/ " e" pqf sf "qspwjtpobj" qf s" rnt" r vbrjw" dbsqf ouf sf "epws" bepqf sbstj "qf s" n f uf sf "jo" buup" wuf rnt" qspdf evsf " ej" tbrnt hvbsjeb" f " tjdvsf "eb" of dttbsj " bepuboep" EQK' bef hvbuj- " dpogsn f n f ouf " brnt/ rnt/ 9203119" f "t/n /j/

Tf "ra" dbttbgsn b" opo" tbs" sjn pttb" epq" jrhf up- " sjn bof oep" tprjebn" dpo" jrh n buf sbrn- " tj" qbsrnt" ej %dbttbgsn b" b" qf sef sf %

Mb" dbttbgsn b" b" qf sef sf "qpus" f ttf sf "vjrjeb" qf s" ra" sf brjebjpoj "ej" w" tqbj- "jouf sdbqf ejoj" f "qbwn f ouj bf sbuj- " opodi è" t pup" gsn b" ej" qboof rntsf brjebjpoj " dpo" n buf sbrj "uf sn pjtprnt" f t/ "qprnt usprn- " f dd/ " qf s" dpog sjsf bnt" tusvwsb" vo" jepof b" jof sejb" uf sn jdb/ " Ko" brjebjpoj " dbttf sj" bwsboop" vo" qsf "ep" ejtjoup" eb" r vj rntsf vjebj "bcjw/

Mb" gvojoj "ef rnt" dbttf sp" tbs" tjb" hf pn f usjb- " jo" n pep" ubrn" di f "jrh dbrdf tusvvoj" hf ubup" qpttb" bttvn f sf "ra" gsn b" sdi jf tuf "ebrnt" qshf up- " di f "n f ddbojdb- " djpa" f ttf sf "jo" hsbep" ej" tqspqsbwsf "ra" qsf ttjpoj "ef rnt" up" tv rnt tvf "qbsf u" f " rnt" "ep" "ef rnt" vjcsbjoj "ej" dptj qbn f oup/ " Mb" dbttbgsn b" epws" joprusf " hsboujsf " ra" uf ovub" t ubhob ef rthf up- " qpjdi è" ra" n bodboeb" ej" uf ovub" qpusf ccf " ef uf sn jobsf " ra" gypsjt djub" ef rnt" gbejoj " qjò" gof ef rnt" qbtup" dpo" rnt" dpotf hvf ouf " gsn bejoj " ej" vob" tusvwsb" tqvhoptb" f " dpo" ojej" ej" hi jbjb/

Of rnt" dbtp" ej" sf brjebjpoj " ej" qbsf u" jo" dbrdf tusvvoj -" tbsboop" vjrjebj " jepof j" qvof rnt" ej" tptuf hop" of rnt r vbojw" f " ejn f otjpoj " tv ggdj " ouf " b" dpouf of sf "ra" qsf ttjpoj " f tf sgdjw" ebnt dbrdf tusvvoj " gsf tdp" tv rnt qbsn f oup ef j" dbttf sj/ " Mb" sjn pejoj " ef j" dbttf sj" p" ejtbsn p" tbs" j" r vjoej " g" wvub" qsf vjw" bddf subn f oup" di f "ra" sf tjtuf oeb ef rnt dbrdf tusvvoj " hf ubup" jo" pqf sb" bccjb" sbhhjvoup" ra" sf tjtuf oeb" n jojn b" ej" qshf up/

Uvuj" j" qspewj " f Op" n buf sbrj " ej" dvj" brntsf tf ouf " bsjdprn- " r vbrjw" qpttbop" f ttf sf " epubj" ej" n bsdubwsb" DF tf dpoep" ra" opsn bujw" uf dojdb" vjhf ouf -" epwsboop" f ttf sf " n vojw" ej" ubrn" n bsdj jp/

**Art. 8.17**  
**OPERE DI TINTEGGIATURA, VERNICIATURA E COLORITURA**

**Preparazione delle superfici e applicazione delle pitture**

M " p q f s b e j p o j " e j " u o u f h h j b u w s b - " d p r p s j u w s b " p " w f s o j d j b u w s b " e p w s b o o p " f t t f s f " q s f d f e v u f " e b " v o ( b d d v s b u b q s f q b s b e j p o f " e f r n " t v q f s g d j " j o u f s f t t b u f " ) s b t d i j b u w s b - " t d s p t u b w s b - " t u w d d b u w s b - " r f w j h b u w s b " f " q v r j e b \* " d p o n p e b r j u l " f " t j t u f n j " j e p o f j " b e " b t t j d v s b s f " r a " q f s g u b " s j v t d j u b " e f r h w p s p /

K o " q b s j d p r b s f " e p w s u " d v s b s t j " d i " f " r n " t v q f s g d j " t j " q s f t f o u j o p " q f s g u b n f o u f " q v r j o f " f " q f s u b o u p " f t f o u j " e b n b d d i j f " e j " t p t u b o e f " h s b t t f " p e " v o u w p t f - " e b " p t t j e b e j p o j - " s v h h j o f - " t d p s j f /

O f r h d p s t p " e f r h d p q r j a l e j p o f " e f r n " q j u w s f " e p w s u " f t t f s f " q p t u b " q b s j d p r b s f " d v s b " b h r j l t q j h p r j l f " b r n " e p o f e j g g d j m f o u f " b d d f t t j c j r j /

M b q q r j a l e j p o f " e p w s u " f t t f s f " f g f u w b u b " f t d m t j w b n f o u f " d p o " q s p e p u j " q s p o u j " b n v t p " f " q s f q b s b u j " o f j " n p e j t u b c j r j u j " e b r n " d b t f " q s p e v u s j d j - " o p o " t b s u - " r v j o e j - " d p o t f o u j p " q s p d f e f s f - " t b r m p " b r u s f " q s f t d s j e j p o j - " b e " v n f s j p s j n j t d f r h e j p o j " d p o " t p r v f o u j " p " t j n j j l d i f " o p o " t j b o p " t u b u f " t q f d j g d b u b n f o u f " q s f t d s j u f /

U v u j " j " q s p e p u j " e p w s b o o p " u s p w b s t j " o f j " s f d j a j f o u j " p s j h o b r j a " t j h j n t u j - " d p o " r n " j o e j d b e j p o j " e f r h q s p e v u p s f - " r n j o g p s n b e j p o j " t v r h d p o u f o v u p - " r n " n p e b r j u l " e j " d p o t f s w b e j p o f " f e " v t p " f " r v b o u p " b r u s p " s j d i j f t u p " q f s r " r j n q j f h p " e f j n b u f s j b r j l /

M b " u f n q f s b u w s b " b n c j f o u f " o p o " e p w s u " j o " p h o j " d b t p " t v q f s b s f " j " 5 1 ± D " n f o u s f " r a " u f n q f s b u w s b " e f r n " t v q f s g d j e p w s u " f t t f s f " d p n q s f t b " g s b " j " 6 ± D " f " 6 1 ± D " d p o " v o " n b t t j n p " e j " 9 1 & " e j " v n j e j u l " s f r b u j w b /

M b q q r j a l e j p o f " e f j " q s p e p u j " w f s o j d j b o u j " o p o " e p w s u " w f o j s f " f g f u w b u b " t v " t v q f s g d j " v n j e f - " j o " f t u f s o p " q f s u b o u p - t b r m p " r h e e j e j p o f " e j " q b s j d p r b s j " q s p e p u j - " r n " t u f t t f " p q f s b e j p o j " t b s b o o p " t p t q f t f " d p o " u f n q p " q j p w p t p - " o f c c j p t p " p e j o " q s f t f o e b " e j " w f o u p /

K o " p h o j " d b t p - " r n " p q f s f " f t f h v j u f " e p w s b o o p " f t t f s f " q s p u f u f " g o p " b " d p n q r f u p " f t t j d d b n f o u p " j o " q s p g o e j u l - e b r n " d p s s f o u j " e ( s j b - " e b r n " q p r v f s f - " e b r n " d r v b - " e b r n " p r i f " e b " p h o j " d b v t b " d i f " q p t t b " d p t u j w j s f " p s j h j o f " e j " e b o o p " f e j " e f h f o f s b e j p o f " j o " h f o f s f /

M B q q r b r u p s f " e p w s u " b e p u b s f " j o p r u s f " p h o j " q s f d b v e j p o f " f " n f e e p " b u j " b e " f v j u b s f " t q s v e e j - " t c b w b u w s f " f n b d d i j f " e j " q j u w s f - " w f s o j d j - " t n b r j " t v r n " p q f s f " h j u l " f t f h v j u f " ) q b w j n f o u j - " s j w f t u j n f o u j - " e p d d p r b u w s b - " j o u p o b d j - j o g t t j - " b q b s f d d i j " t b o j u b s j - " s v c j o f u f s j f " f d d / \* " s f t u b o e p " b " d b s j d p " e f m p " t u f t t p " p h o j " r h w p s p " p " q s p w f e j n f o u p o f d f t t b s j " q f s " r n j m j o b e j p o f " e f h j r j n c s b u b n f o u j - " e f j " e f h s b e j " o p o d i è " e f h j r j f w f o u b r j l e b o o j " b q q p s u b u j /

M b " E j s f e j p o f " e f j " M w p s j " b w s u " r a " g d p r u l " e j " p s e j o b s f - " b " d v s b " f " t q f t f " e f r h B q q r b r u p s f - " j r h s j d j n f o u p " e f r n r h w p s b e j p o j " s j t v r b o u j " e b " f t f d v e j p o f " o p o " t p e e j t g d f o u f " f " r v f t u p " t j b " q f s " e j f u p " e f j " n b u f s j b r j l j n q j f h b j - " t j b " q f s o p o " j e p o f b " q s f q b s b e j p o f " e f r n " t v q f s g d j - " q f s " o p o " d p s s f u b " b q q r j a l e j p o f " e f h j r j t u f t t j " q f s " n b o d b o e b " e j " d b v u f r n " p q s p u f e j p o j " p " q f s " r v b m o r v f " b r u s b " d b v t b " b t d s j v j c j r n " b r n B q q r b r u p s f /

M B q q r b r u p s f " e p w s u " q s p d f e f s f " d p o " j n n f e j b u f e e b " b " b r j l s j d j n f o u j - " f r j m j o b o e p " o f r h g s u f n q p " f w f o u b r j n e b o o j " d p o t f h v f o u j " e j " r v b r j l s j n b o f - " j o " p h o j " d b t p " f e " b " u w u j " h j r j f g f u j - " v o j d p " s f t q p o t b c j r f n /

K o " p h o j " d b t p " r n " p q f s f " f t f h v j u f " e p w s b o o p " f t t f s f " q s p u f u f - " g o p " b r h d p n q r f u p " f t t j d d b n f o u p - " e b r n " q p r v f s f - e b r n " d r v b " f " e b " p h o j " b r u s b " g o u f " e j " e f h s b e b e j p o f /

U v u j " j " d p n q p o f o u j " c b t f - " j " t p r v f o u j - " j " e j r v f o u j " f " h j r j l b r u s j " q s p e p u j " v t b u j " e b r n " d b t f " q s p e v u s j d j " q f s " r a q s f q b s b e j p o f " e f r n " g p o j w s f - " e b r n " n b o p " e ( p q f s b " q f s " r h d q q r j a l e j p o f " f " h j r j f w f o u b r j l n f u p e j " e j " q s p w b - " e p w s b o o p f t t f s f " d p o g p s n j " b r n " o p s n b u j w b " w j h f o u f " f e " b w f s f " d b s b u f s j t u d i f " r v b r j u b u j w " d p t u b o u j " d p o g s n b u f " e b j " n b s d i j " e j r v b r j u l /

Q s j n b " e f r h d q q r j a l e j p o f " e j " p h o j " t v d d f t t j w b " n b o p " e j " q j u w s b " r a " n b o p " q s f d f e f o u f " e p w s u " f t t f s f d p n q r f u b n f o u f " f t t j d d b u b " p " j o e v s j u b " f - " j o p r u s f - " e p w s u " f t t f s f " s j q b s b u p " p h o j " f w f o u b r n " e b o o f h h j b n f o u p " e f r n n b o j " h j u " b q q r j a l e j p o f - " v u j e e b o e p " r a " t u f t t p " u j q p " e j " q j u w s b " v t b u p " j o " q s f d f e f o e b /

M b " t d f r a " e f j " d p r p s j " a " e p w u b " b r h d s j f s j " j o t j o e b d b c j r f n " e f r n " E j s f e j p o f " e f j " M w p s j " f " o p o " t b s u " b n n f t t b " b r u v o b e j t u o e j p o f " u s b " d p r p s j " p s e j o b s j " f " d p r p s j " g o j - " e p w f o e p t j " j o " p h o j " d b t p " g p o j s f " j " n b u f s j b r j l q j o " g o j " f " e f r n " n j h r j p s j r v b r j u l /

K r h d p r s f " e j " p h o j " n b o p " e j " q j u w s b " e p w s u " f t t f s f " e j w f s t p " e b " r v f m p " e f r n " n b o p " q s f d f e f o u f " q f s " f v j u b s f " e j r a t d j b s f " e p o f " o p o " q j u w s b u f " f " q f s " d p o u s p r i n s f " j r h o v n f s p " e f r n " q b t t b u f " d i f " t p o p " t u b u f " b q q r j a l e j p o f /

K o " d b t p " e j " d p o u f t u b e j p o f - " r v b r p s b " r h B q q r b r u p s f " o p o " t j b " j o " h s b e p " e j " e b s f " r a " e j n p t u s b e j p o f " e f r h o v n f s p " e j q b t t b u f " f g f u w b u f - " r a " e f d j t j p o f " t b s u " b " t g w p s f " e f r h B q q r b r u p s f " t u f t t p / " D p n v o r v f " f h j r j l b " r h p c c r j m p - " e p q p r h d q q r j a l e j p o f " e j " p h o j " q b t t b u b " f " q s j n b " e j " q s p d f e f s f " b r n " t f d v e j p o f " e j " r v f r a " t v d d f t t j w b - " e j " g b s t j " s j r a t d j b s f " e b m q f s t p o b r n " e f r n " E j s f e j p o f " e f j " M w p s j " v o b " e j d i j b s b e j p o f " t d s j u b /

Q s j n b " e ( j o j e b s f " r n " p q f s f " e b " q j u p s f - " r h B q q r b r u p s f " i b " j o p r u s f " r h p c c r j m p " e j " f t f h v j s f " o f j " m p h i j " f " d p o " r n n p e b r j u l " d i f " h j r j l b s b o o p " q s f t d s j u j - " j " d b n q j p o j " e f j " v b s j " r h w p s j " e j " s j o j u w s b - " t j b " q f s " r a " t d f r a " e f r n " u o u f " d i f " q f s " j m h f o f s f " e j " f t f d v e j p o f - " f " e j " s j q f u f s j l f w f o u b r m f o u f " d p o " r n " v b s j b o u j " s j d i j f t u f - " t j o p " b e " p u f o f s f " r h d q q s p w b e j p o f e f r n " E j s f e j p o f " e f j " M w p s j " F h r j l e p w s u " j o g o f " b e p u b s f " p h o j " q s f d b v e j p o f " f " n f e e p " b u j " b e " f v j u b s f " t q s v e e j " p n b d d i j f " e j " u o u f " p " w f s o j d j " t v r n " p q f s f " g o j u f " ) q b w j n f o u j - " s j w f t u j n f o u j - " j o g t t j - " f d d / \* " s f t u b o e p " b " t v p " d b s j d p " p h o j r h w p s p " o f d f t t b s j p " b " s j q b s b s f " j " e b o o j " f w f o u b r m f o u f " b s s f d b u j /

**Le opere di verniciatura su manufatti metallici** "tbsboop" qsf df evuf "eb" bddvsbuf "pqf sb€jpoj" ej" qv r€jb )of r€tbt p" ej" f rfn f ouj" f tjt uf ouj" \*f "sjn p€jpoj" ef rfn" qbsj" ptt jebuf <wf ssboop" r vjoej" bqqrjdbuf "brn f op" vob" n bop ej" wf sojdf "qspuf ujb" f e" vo" ovn f sp" opo" jog sjsf "b" evf "n boj" ej" wf sojdf "ef r€jqp" f "dprsf" qsf vjt u" gop" bm sbhjvohjn f oup" ef r€t" dpn qrnub" vojpsn jU" ef r€t" vqf sgdjf /

**Malta cementizia anticorrosiva bicomponente per la protezione dei ferri d'armatura**

Mbqqqrjdb€jpoj "ef r€qspepup" bwf ssU" dpo" qf oof rnp" jo" brn f op" evf "n boj" gop" b" dpqsjf "dnp qrnubn f ouf "jrt€f ssp dpo" vop" tqf tpsf "ej" djsb" 3" n n /

K'g ssj" ej" bsn bwf sb" epvsboop" f ttf sf "rjof sj" eb" dbrdf t uvs€€p" ef uf sjsboop- "eb" tpt ubo€€ "hsbttf -" eb r€t" svhhjof / "B ubrfr" tdpqp" tbsU" tf "of df tbsjp" f tf hvjub" vob" t bccjbwfb" brhgof "ej" qpsbsf "rfr" bsn bwf "brnp" t ubup" ej" n f ubrnp cjbodp/ "Tf" dji "opo" gottf "qpttjcjrfr- "tj" qspdf ef sU" r vboup" n f op" be" bddvsbub" tqb€€prubwfb" dpo" n f €€j" n f ddbojdj" p n bovrjrl

Tbsboop" dnp vor vf " buwbf " qvowbrn f ouf " eb r€t" bqqrjdbwfb " uuf " rfr" qsf tds€jpoj" tqf djgdi f " ef r€qspepup gpsojuf " eb r€t" €j oeb" qspevusjdf " ef r€t" n brnb" jn qjf hbu- " opodi à " rfr" jt uvs€jpoj" pqf sbujw" jn qbsjuf " eb r€t" Ejsf €jpoj f Mbwpsj/

**Verniciature su legno.** Qf s" rfr" pqf sf " jo" rfrhop- " r€t" tuwddubwfb" f e" jn qsjn juwb" epvsU" f ttf sf " gub" dpo n bt ujdj" bebuj- f " r€t" rfrwjbwfb" f " sbt bwfb" ef rfr" t vqf sgdj" epvsU" f ttf sf " qf sf ub/

**Nelle opere di verniciatura eseguite su intonaco-** prsf "brfr" wf sjgdi f "ef r€t" dpotjt uf o€€" ef r€t vqpsup f e" brfr" tvddf ttjwf " d€tj" ej" qsf qbs€jpoj "tj" epvsU" buf oef sf "vo" bef hvbup" qf sjep- "gtt bup" eb r€t" Ejsf €jpoj "ef j Mbwpsj- "ej" t ubhjpbwfb" ef hjtjoupbdj < sbt dpst p" r vf t up" qf sjep" tj" qspdf ef sU" brnb" bqqrjdb€jpoj "ej" vob" n bop" ej jn qsjn juwb" jf tf hvjub" dpo" qspepuf "tqf djbrj" p" vob" n bop" ej" goep" qjò" ejrjwb" brnb" r vbrfr" tf hvjsboop" brsf " evf n boj" ej" wf sojdf "ef r€t" dprsf " f " dbsbuf sjt jdi f "gtt bup /

Mb" jof hvjbwfb" qpusU" f ttf sf " f tf hvjub- " t brnp" brsf " qsf tds€jpoj- " b" qf oof rnp- " b" svrnp- " b" tqsv€€p- f dd/ " jo dpogpsn jU" dpo" j" h pej" gtt bup" qf s" djbt dvo" ujqp" ej" r€t" bwpsb€jpoj /

**KESPTBCCBUWSB**

Kesptbccjbwfb" b" qsf ttjpoj "sf brnb" n f ejbouf " r€t" p" ej" jespqvrjwsjdf "dpo" qsf ttjpoj "vbsjbcjrfr" dpo" t bccjb" ej r vbs€p" ej" pqqsuob" hsbv rpn f usjb/

**UFNQFSB**

Ujof hvjbwfb" b" uf n qf sb" ej" qbsf u" f " tpgjuj" dpo" gojuwb" ej" ujqp" rjt djp" p" b" cvddjb" e( bsbodjp" b" dpqsjf jof sbn f ouf " rfr" tvqf sgdj" usubuf -" eub" b" qf oof rnp" p" b" svrnp" qsf vjb" sbt bwfb" f " tuwddubwfb" f e" f wf owbrfr jn qsjn juwb" b" evf "p" qjò" n boj/

**UKOUFHFKBUWSB"MBWCKVF**

. "Ujof hvjbwfb" r€t" vbcjrfr" ef r€jqp;

b\* "b" c btf "ej" sf t jof "vjojrnbdsjrjdi f <

c\* "b" c btf "ej" sf t jof "bdsjrjdi f <

qf s" qbsf u" f " tpgjuj" dpo" gojuwb" ej" ujqp" rjt djp" b" dpqsjf "jof sbn f ouf " rfr" tvqf sgdj" usubuf -" eub" b" qf oof rnp" p" b svrnp" qsf vjb" sbt bwfb" f " tuwddubwfb" f e" f wf owbrfr" jn qsjn juwb" b" evf "p" qjò" n boj<

. "Ujof hvjbwfb" r€t" vbcjrfr" b" c btf "ej" tn brg" n vsbrjlpqbdj j" sf tjop. tjof ujdj" ef r€jqp;

b\* "qjuwfb" prfpt b" pqbdb <

c\* "qjuwfb" prfnpbrdi jejdb" p" brdi jejdb" mdjeb" p" t bujobub" p" bdsjrvjojrnp rfnobjdb <

d\* "qjuwfb" vsf ubojdi f <

qf s" qbsf u" f " tpgjuj" dpo" gojuwb" ej" ujqp" rjt djp" b" dpqsjf "jof sbn f ouf " rfr" tvqf sgdj" usubuf -" eub" b" qf oof rnp" p" b svrnp" qsf vjb" sbt bwfb" f " tuwddubwfb" f e" f wf owbrfr" jn qsjn juwb" b" evf "p" qjò" n boj/

**SFTKOF"TKOUFUKDI F**

Epvsboop" f ttf sf "dnp qpt uf "ebrt61& "db/" ej" qjhn f oup" f "ebrt61& "db/" ej" wf jdrp") rfrhbof ", tprwf ouf \*- f ttf sf jopepsj- " bwf sf " vo" uf n qp" ej" f ttjddb€jpoj " ej" 9" psf " db/" f ttf sf " qf sf ubn f ouf " r€t" vbcjrfr" tf o€€" qsf tf ousf n bojg tub€jpoj" ej" brfr sb€jpoj /

Of r€tbt p" ej" jespqjuwfb " qf s" f tuf sop" r€t" dnp qptj€jpoj "tbsU" ef r€t51& "db/" ej" qjhn f oup" f "ef r€t71& "db/" ej" wf jdrp dpo" sf tjt uf o€€ "qbsjdrpsj" bhrjrlbh f ouj" bun ptg sjdj" f e" bhrjrlbuwddi j" brdrjoej/

Mb" jof hvjbwfb" p" sjwf tujn f oup" qrtubjdp" n vsbrfr" svtubjdp" epvsU" f ttf sf " b" c btf " ej" sf t jof " tjof ujdj f " jo f n vrtjpoj " dpo" qjhn f ouj" f " r vbs€j" p" hsbv r€t" ub" eb" bqqrjdbwfb " b" tvqf sgdj" bef hvbubn f ouf " qsf qbsubuf " f " dpo" vob n bop" ej" goep- " eub" bodi f " jo" qjò" n boj" qf s" vob" r vboujU" n jojn b" ej" l h/2-30n 3/" qptub" jo" pqf sb" tf dpoep" j

n pejt'f hvf ouj;

b\*qf oof rmb"p"svrmb"hsbovrmb"qf s'f t'f soj<

c\*hsbggbub"dpot'vqf sgdfj "gof -"n bttjn b"hsbovrmb f usjb"2-3"n n /"qf s'f t'f soj/

GP OEK'N KOFSBMK

Ujof hhjbuwsb"ej"goeje"n jof sbrjltbt pscf ouj"tv"joupobjd"ovpwj"p"wf ddi j"f t'f soj"of j"df ouj"t upsjdj-"usbubj"dpou  
dprpsj" n jof sbrjlt'f oeb"beejuvj" pshbojdj" pwwf sp" rjef sbj" dpo" vo" pqqpsuwop" twf sojdbupsf "eb" qjuwv f " gsn bouj  
qf rmbprb-"dpo" dprpsf "b" evf " dprpsf ouj" dpo" rnhbouf "ej"tjrbub" ej" qpubttjp" qvsp" )rj vjep" f e" jodprpsf \*f e" jm  
dprpsf "jo" qprwv sf " qvsbn f ouf "n jof sbrj" dpo" qjhn f ouj" jopshbojdj" )qf s' hsqvqj" ej" dprpsj" dpouf of ouj" vob" n f ejb  
qf sdf ouwbrj" qjò" p" n f op" f rfwub" ej" ptttjej" qsf hjby\* "qf s' dpotf ouj" f vo" qspdf tt p" ej" hsbvbrj" dsjt ubrj" b" e" jopof " f e  
bhhsbqqbhj" b" h goep" t'f oeb" gsn bsf " qf rmbprb" jespsf qf rnfouf " f e" brdn f ouf " usbtqjsbouf " dpo" f g up  
tvqf sgdjbrj" tjn jrn" b" r v f mp" puf ojcjrj" dpo" jof hhj" b" dbrd" -"sf tjt'f ouf " b" rdbprpsf -"bj" sbhhj" vnsbvjprfu" f e" bj" g n j  
joevt usjbrj" dpqsf ouf -" rwbcbjrn" sf tjt'f ouf " b" t p wv ouf -" jopepsf " f " opo" jor vjobouf -" gsu f n f ouf " brdbjop- " eb  
bqqrjbsf "dpo" qf oof mp" jo" usf "n boj" qsf vjb" qsf qbsb" e" jopof "ef rtt pupgoep/

WFSOKDKBUVSB"DMT

Vf sojdbuwv" qspuf ujb" ej" p qf sf "jo" dbrd' t usv" e" bsn bu" p" f "opo-" qpt'f " b" rnf' t'f sop" p" b" rnf' ouf sop" rjef sbuf -" dpo  
pqqpsuwop" twf sojdbupsf "eb" f w ouwbrj" qjuwv f " gsn bouj" qf rmbprb" n f ejbouf " dprpsf " b" c btf " ej" t jrbub" ej" qpubttjp  
n pejgdbj" )qf s' hsqvqj" ej" dprpsj" dpouf of ouj" vob" n f ejb" qf sdf ouwbrj" qjò" p" n f op" f rfwub" ej" ptttjej" qsf hjby\* f  
dbsjdi j" n jof sbrjlt'ub" eb" dpotf ouj" f " r" s' f b" e" jopof " di jn jdb" dpo" jrtt pupgoep" dpotrj" boeprp" f " qspuf hhf oeprp" eb rnb  
of vsbrj" b" e" jopof " ) dsc pobub" e" jopof " f " t p rdb" e" jopof \* " jespsf qf rnfouf " f " usbtqjsbouf -" sf tjt'f ouf " b" rdbprpsf -" bj" sbhhj  
vnsbvjprfu" f e" bj" g n j" joevt usjbrj" rwbcbjrn" sf tjt'f ouf " b" t p wv ouf -" jopepsf " f " opo" jor vjobouf -" gsu f n f ouf  
brdbjop- " p qbdp" dprpsf " n jof sbrjrn" eb" bqqrjbsf " b" qf oof mp" p" b" svmp" jo" b m f op" usf " n boj" qsf vjb" qsf qbsb" e" jopof  
ef rtt pupgoep/

QSKNFS"BMTKMDF OF

Bqqrjbsf " ej" vob" n bop" ej" goep" ej" jespsf qf rnfouf -" b" c btf " ej" t jrbub" p" t jrbub" -" of df ttbsj" qf s' jm  
usbubn f oup" qsf rjm jobsf " ej" t vqpsj" t phhf u" be" vn jejw" eb" qpsf " jo" p qf sb" b" qf oof mp" p" b" svmp" qsf vjb" qv rjeb  
tvqf sgdjbrj" ef rnf' qbsj" eb" usbubsf /

DPOWFSUKUP SF"E K'SVHHKOF

Bqqrjbsf " ej" dpowf sjpsf " ej" svhhjof " tv" t usv" uvsf " f e" jogtt' j" ej" n f ubmp" n f ejbouf " r" qpt b" jo" p qf sb" ej" evf  
n boj" b" qf oof mp" p" b" t qsv" e" jopof " ej" vob" sf tjob" dpqrjm f sjdb" vjojn bdsjrb" jo" t p wv e" jopof " bdr vptb" r ujhjopt b-  
jojogbn n bcjrn" b" c bttb" upttjdjw" sjt qpoef ouf " joprusf " b r h f t u' t qzb" t brjop" ej" 611" psf " dpo" bef tjopof " b r h 6& " t f  
t p u p q p t u p " b " h s b g g b u w s b " b " d s p d f /

WFSOKDF"BOUKSVHHKOF

Vf sojdbuwv" boujvhhjof " ej" p qf sf "jo" g ssp" f t'f sof "hjU" pqqpsuwobn f ouf "usbubf -" dpo" goe" jopof " tjb" ej" t usub" b  
gojsf " ej" vbsj" dprpsf " tjb" ej" t usub" ej" goep" qf s' t v d d f t t j w " d j d j " e j " v f s o j d b u w s b - n f e j b o u f " r b q q r j b s f " e j " v o b  
sf tjob" dprpsf " eb" vo" dpqrjm f sp" vjojn bdsjrb" dpo" d b s u f s j t u d i f " e j " e v s f " e b - " g r i t t j c j r j u " f " s f t j t ' f o e b " b h j t v s j -  
qf s n f b c j r j u " b r h w b q p s f " e ( b d r v b " f e " b r o t t j h f o p " e j " 26.36 " h s / 0 n 3 / 0 n n / 0 h j p s o p - " d p o " v o " d p o u f o v u p " e j " p t t t j e p " e j  
g s s p " j o g f s j p s f " b r h 4 & - " o p o " j o r v j o b o u f - b q q r j b c j r j n " b " s v m p - " q f o o f m p " f e " b " t q s v " e " p " t v " n f u b r j i g s s p t j " f " o p o - " j o  
b m f o p " e v f " n b o j < " w f s o j d b u w s b " b o u j v h h j o f " e j " p q f s f " j o " g s s p " d p t u j w j b " e b " v o b " n b o p " e j " n j o j p " e j " q j p n c p  
n f t d p r u p " d p o " q j d d p r i n " r v b o j u w " e j " p i j p " e j " r o p " d p u p " p " s f b r j e e b " d p o " q s p e p u p " p r i n p t j o u f u d p " f r v j w b r n o u f " q s f v j b  
q s f q b s b " e " j o p o f " e f r t t p u p g o e p " d p o " d b s u f h h j b u w s b - t b c c j b u w s b " p " q v r j e b " d p n q r n u b " e f r h n f u b r n " t u f t t p /

QKUVSF"NVSBM'KDP O'SFTKOF"QMBTUKDI F

M "qjuwv f "n vsbrj"ej" r v f t u" uq p" bwsboop" dprpsf " rnhbouf" ef rnf' sf tjob" t'jof udi f " ) qprjm f sj" dprpsf " vjojrj" -" f dd" /" f  
t p wv ouj" pshbojdj" -" bwsboop" sf tjt'f oeb" bhjlt'bhf ouj" bun pt'g sgdj" f e" brt'ef qf s'jn f oup" jo" hf of sbrjrn" bwsboop" bef hvb'uf  
qspqsf w'ej" bf sf b" e" jopof " f " t b s b o o p " e j " g d j r n " b q q r j b c j r j u /

SFTKOF"FP TTKE KDI F

Vf sojdbuwv" ej" p qf sf "jo" g ssp" dpo" sf tjob" f qptt'jeidi f " cjdpn qpoef ouj" ) h0n 3/1-71\* " eb" bqqrjbsf " tv" tvqf sgdj  
hjU" qsf ejt'qpt'f " jo" b m f op" evf " n boj/

TNBMUP"PMFPTKOUFUKDP

Bwsboop" dprpsf " dprpsf qpoef ouj" rnf' sf tjob" t'jof udi f " p" obwsbrj" qjhn f ouj" bhjvouvj" -" vbsj" beejuvj" f " t b s b o o p  
g p s o j y " j o " d p o g f e j p o f " t j h j m b " d p o " w u f " r n " j o e j d b e j p o j " t v r n " d p n q p t j e j p o f " f " t v r n " n p e b r j u " e ( v t p / " M  
d b s u f s j t u d i f " e p w s b o o p " f t t f s f " r v f r n " q s f w j t u f " e b r n " o p s n f " h j U " d j u b u f " f " e p w s b o o p - " j o p r u s f - " h s b o u j s f " r a  
e v s b c j r j u - " r a " t u b c j r j u " e f j " d p r p s j - " r a " s f t j t ' f o e b " b h j t ' b h f o u j " b u n p t ' g s j d j - " f d d / " V f s o j d b u w s b " d p o " t n b r n " p r n p

tjouf ujd- "sf bnf" dpo "dpo qpo of ouj") rj" "sf tjo f "tjouf ujd f "dpo" qf sdf ow brj bnf hvbf "ef j" vbsj" f rfn f ouj\* b  
cbttp" dpo of ovup" ej" upttjdjw- "eb" vj" "sf" "tv" pqf sf "jo" g ssp" n f ejbof "bqqj" bnf "b" qf oof "mp" jo" bnf f op" evf  
n boj" tv" tvqf sgj" qsf df ef ouf n f ouf "usbubf" bodi f "dpo" w sojdf "bojvshjof /" K" u f n qj" ej" f ttjdb" bnf "tbsboop  
jousop" bnf "7" psf /

**KNQSFHOBOUT"QFS"MFHOP**

Wf sojdbw sb" qf s" pqf sf "jo" rfn hop" dpo" jn qsf hobouf "b" ejwf stb" upobru" p" usbt qbsf ouf "eb" bqqj" bnf "tv" tvqf sgj  
qsf df ef ouf n f ouf "qsf qbsubf" jo" vob" qsn b" n bop" n bhjpsn f ouf "ejvjb" dpo" jepof p" t p" ouf "f e" vob" tf dpoeb  
n bop" dpo" n jops" r vbojw" ej" t p" ouf "f e" vo" jouf swb" ej" u f n qp" n jojn p" usb" rfn" evf "n boj" ej" bnf f op" 9.21" psf /

**Barriera protettiva antigraffiti per superfici esterne**

M" bqqj" bnf "ef r" qspepup" à" qpttjcjfn" dpo" r" wpsb" bnf "b" qf oof "mp" "b" sv" mp" p" w" sp" dpo" qjt uprb" b" t" qsv" p  
dpo" b" s" f" t" /

K" t" v" qpsup" tv" dvj" bqqj" bnf "rb" cbssj" sb" epws" f" t" f" sf "qv" r" -" qsv" ej" q" p" sf -" t" qps" bnf "hsbt" j" -" p" j" f e  
f" g" s" f" t" d" f" o" f" /" T" f" of df ttbsj" t" j" epws" oop" vj" "sf" "n f" upej" ej" s" jn p" bnf "dpo" t" bcc" jw sb- "jespt" bcc" jw sb" p  
bdr vb" jo" qsf ttj" pof -" b" tf dpoeb" ef r" tvqf sgj" f" eb" usbubf /

M" cbssj" sb" bqqj" bnf "t" j" epws" usbt" gsn bnf "r" vjoej" jo" vob" qf r" d" di f "opo" ef w" n pejg" bnf "jo" n pep  
qf sdf ujcj" rfn" tvqf sgj" f" -" n b" qf sn f u f sf "ej" jouf sw" ojs" qf s" s" jn v" p" sf "j" hsb" g" j" f w ow bnf f ouf "f" tf hvj" -" dpo  
jesp" qv" r" jsdf "be" bdr vb" dbreb /

Uvuj" j" qspepup" f" Op" n bnf s" b" r" j" ej" dvj" b" r" qsf tf ouf "bsj" d" p" -" r" v" b" p" s" bnf "qptt" bop" f" t" f" sf "epubj" ej" n bsdw sb" DF  
tf dpoep" r" opsn bujw" u f dojdb" vjhf ouf -" epws" oop" f" t" f" sf "n" voj" ej" u" b" rfn" n bsdj" jp /

**Art. 8.18  
OPERE DA STUCCATORE**

M" pqf sf "eb" twdd" bnf "w" ohpop" hf of sbm" f ouf "f" tf hvj" u f "jo" bn cij ouf "jouf soj" -" p" q" v" s" f" qptt" pop" f" t" f" sf  
f" tf hvj" u f "jo" bn cij ouf" f" t" u f soj" ej" qbsj" d" p" r" bnf "u" q" p" s" j" d" bnf "q" b" t" b" bhj" f" e" boes" p" j" /

K" t" v" qpsup" tv" dvj" w" ohpop" bqqj" bnf "r" rfn" twdd" bnf "ef" v" p" op" f" t" f" sf "cf" o" t" u" bej" bnf "u" s" bnf "b" qj" bop" dpo" g" s" bnf "p" -  
bt" dj" v" u" -" f" t" f" ouj" eb" qbsj" ejt" bhhsf" hbf -" qv" r" v" r" f" ouf "f" e" vou" p" t" f" f" "tv" g" j" ouf n f ouf "t" u" bhj" p" o" bnf "t" f" "usbubt" j" ej  
joupobd" ov" p" vj" /" M" t" u f t" f" dpo" ej" p" o" j" w" b" r" n" p" o" bodi f "of" r" t" b" t" p" ej" qbsf u" j" tv" d" b" r" f" t" u" s" p" f" n" qj" d" f" "pe" bsn bup /

M" tvqf sgj" ej" dvj" t" p" qsb- "di f" s" j" t" v" r" j" op" f" t" f" sf "h" j" u" t" u" bnf "usbubf" dpo" r" v" b" r" j" b" t" j" u" q" p" ej" goj" u" sb- "ef" v" p" op" f" t" f" sf  
qsf qbsubf "dpo" u f dojdi f "jepof f" b" hsb" o" u" s" f" r" b" evs" f" e" bnf "ef" mp" t" u" d" d" p /

Of rfn" pqf sf "ej" t" u" d" bnf "sb- "ej" opsn b" ef w" f" t" f" sf "jn" qj" f" h" bnf "j" r" h" f" t" t" p" w" o" j" r" bnf "jo" q" p" r" v" f" sf -" b" q" q" s" p" q" s" j" bnf n f ouf  
dpo" g" ej" p" o" bnf "jo" d" b" c" c" s" j" bnf -" j" r" h" v" b" rfn" w" s" s" u" qsf ejt" qpt" u" jo" bdr vb" f" s" jn f" t" d" p" r" bnf "t" j" op" be" puf of sf "vob" qbt" u" b  
pn phf of b- "p" q" q" v" s" f" w" s" s" oop" bhj" v" o" u" j" b" n" s" j" q" s" p" e" u" j" r" v" b" r" j" d" b" r" f" t" v" q" f" s" w" o" j" r" bnf -" q" p" r" v" f" sf "ej" n bsn p- "bh" h" r" p" n f s" bnf  
jof s" j" -" d" p" j" c" f" o" u" j" rfn" h" f" s" j" p" d" p" r" bnf "ouf" d" f" m" r" p" t" j" d" p /

Ft d" r" t" j" j" r" w" p" s" j" qbsj" d" p" r" bnf "r" jn" qbt" u" qf s" rfn" r" j" t" d" jw sb" ef w" puf of st" j" n f" t" d" p" r" bnf "o" p" j" r" h" f" t" t" p" dpo" j" r" 86& "ej  
bdr vb" g" f" eeb /

Qf s" rfn" r" j" t" d" jw sb" ej" tvqf sgj" qsf df ef ouf n f ouf "dpo" joupobd" ej" n b" r" bnf "c" b" t" u" b" s" e" bnf -" r" jn" qbt" u" ef w" f" t" f" sf  
dpo" n" qpt" u" eb" vob" qbsf "ej" d" b" r" f" b" e" f" t" jw b- "qsf df ef ouf n f ouf "t" qf ou" b" jo" bdr vb" f" eb" evf" qbsj" ej" hf t" t" p" w" o" j" r" bnf  
jo" q" p" r" v" f" sf "t" f" n" qsf "dpo" r" b" h" h" v" o" b" ej" bdr vb /

Ko" r" v" b" r" j" b" t" j" p" qf sb" ej" t" u" d" bnf "sb- "r" b" q" q" b" r" bnf "p" s" f" à" s" j" f" o" v" p" v" o" j" d" p" s" f" t" q" p" o" t" b" c" j" rfn" ef r" bnf "d" p" s" s" u" bnf "t" f" d" v" ej" p" o" f" ef r" bnf  
t" u" f" t" t" bnf -" s" jn" boh" p" o" qf s" o" u" p" b" t" v" p" d" p" n" q" r" f" u" p" f" u" p" b" rfn" d" b" s" j" d" p" h" j" l" p" o" f" s" j" ej" f" w" o" u" b" r" j" s" b" q" f" e" j" f" "s" j" d" jn" f" o" u" -" qf s  
r" w" p" s" j" jo" dvj" s" j" t" v" r" b" t" t" f" s" p" ej" f" u" j" ej" f" t" f" d" v" ej" p" o" f /

Uvuj" j" qspepup" f" Op" n bnf s" b" r" j" ej" dvj" b" r" qsf tf ouf "bsj" d" p" -" r" v" b" p" s" bnf "qptt" bop" f" t" f" sf "epubj" ej" n bsdw sb" DF  
tf dpoep" r" opsn bujw" u f dojdb" vjhf ouf -" epws" oop" f" t" f" sf "n" voj" ej" u" b" rfn" n bsdj" jp /

**Art. 8.19  
ESECUZIONE DELLE PARETI ESTERNE E PARTIZIONI INTERNE**

- 2) Tj" jouf oef "qf s" qbsf u f "f" t" u f sob" j" r" t" j" t" u f n b" f" ej" r" e" p" bnf ouf "r" b" g" v" o" ej" p" o" f" ej" t" f" qbsbsf "f" d" p" o" g" s" n" bnf "h" r" j" t" q" b" e" j  
jouf soj" b" r" t" j" t" u f n b" s" j" t" q" f" u" p" b" n" f" i" t" u" f" s" o" p /  
Tj" jouf oef "qf s" qbsj" e" j" p" o" f" jouf sob" v" o" t" j" t" u f n b" f" ej" r" e" p" bnf ouf "g" v" o" ej" p" o" f" ej" ejw" j" e" f" s" f" d" p" o" g" s" n" bnf "h" r" j" t" q" b" e" j  
jouf soj" ef r" t" j" t" u f n b" f" ej" r" e" p /  
Of r" bnf "t" f" d" v" ej" p" o" f" ef r" bnf "q" b" s" f" u" j" f" t" u" f" s" o" f" "t" j" u" f" s" s" u" j" d" p" o" u" p" ef r" bnf "r" p" s" p" u" j" q" p" r" h" j" b") usbt" qbsf ouf -" q" p" s" b" o" u" f" -" q" p" s" b" u" b" -  
n" p" o" p" r" j" u" d" bnf -" b" e" jouf s" d" b" q" f" e" j" o" f" -" u" f" s" n" p" j" t" p" r" i" a" bnf -" w" o" u" j" r" bnf \*f" ef r" bnf "r" p" s" p" d" p" r" b" e" j" p" o" f") b" d" p" s" j" o" bnf -" b" t" f" n" j" d" p" s" j" o" b

pe"jotf sjub\*/

Of rnb" f tf dvEjpop "ef rnf" qbsuEjpoj" jout sof "tj" uf ssU" dpoup" ef rnb" rpsp" dnt t jgdbEjpop "jo" qbsuEjpop "tf n qrdaf )tprjbn f ouf "sf brjEub" dpo" qjddprj f rfn f ouj" f "rnhbouj" vn jej" p" qbsuEjpop "qsf gccsdbub") tprjbn f ouf sf brjEub" dpo" n poubhjpp" jo" tjup" ej" f rfn f ouj" qsf ejt qpt u" qf s' f ttf sf "bttn n crbu" b' tf dd\*/

3 Rvboep" opo" à" ejwf stbn f ouf "ef tdsjup" of hrijl brusj" epdvn f ouj" qsphf uwbrj) p" r vboep" r vf tu" opo" tpop tvgdj f ouf n f ouf "ef ubhrijbuj" \*tj" jout oef "di f "djbt dvob" ef rnf" dbuf hpsj" ej" qbsf uf "tpqsbdjub" à" dpn qpt ub eb" qjò" tusbu" gvoEjpopbrj) dpt usvujvbn f ouf "vop" tusbu" qv" "bttn p" sf "b" qjò" gvoEjpop" \*di f "ef wpop" f ttf sf sf brjEub" dpn f "tf hvf /

b\* M" qbsf u" b" dpsjob" )gdjbu f " dpoujovf \*tbsboop" sf brjEub" vujEboep" j" n buf sjbrj f " qspepuj sjt qpoef ouj" brhqs f tf ouf "dbqjuprbu" )wf usp" jt prbu" -" tjhjnou" qboof rjn" gof tuf -" f rfn f ouj" qpsbouj- f dd\*/

M" qbsu" n f ubrjdi f " tj" jout oepop" rlvpsbu f " jo" n pep" eb" opo" tvcjsf " n jdspg ttvsf " p" dpn vor vf eboof hhjbn f ouj" f e-" b" tf dpoeb" ef rfn f ubrjdi "pqapsuobn f ouf "qspuf uf "ebnrb" dpsstjpop /

Evsouf "jrn poubhjpp" tj" dvsf sU" rnb" dpssf ub" f tf dvEjpop "ef rnf" rfn f oup" ej" tvqqpsu" f e" jrn" vp" bodpsbhjpp bnb" t usvwsb" ef rnf" ejgdj" f tf hvf oep" )qf s' qbsu" \*wf sjgd f "ef rnb" dpssf ub" f tf dvEjpop "ef rnf" hvjoEjpoj )cvmpobusf -" tbrbwsf -" f dd/\* f " ef rñ sjt qf up" ef rnf" uprnsoe f " ej" n poubhjpp" f " ef j" hjpdi j" Tj f gf uwv sboop" qspwf "ej" dbsdj" )bodi f "qf s' qbsu" \*qsjn b" ej" qspdf ef sf "brtt vddf ttjvp" n poubhjpp" ef hjn brusj" f rfn f ouj/

Mb" qpt b" ef j" qboof rjlej" ubn qpobn f oup- "ef j" uf rj- "ef j" tf ssbn f ouj- "f dd/-" tbsU" f gf uwvub" sjt qf uboep" rñ uprnsoe f "ej" qpt jEjpop -" vujEboep" j" jt uf n "ej" gttbhjpp" qsf vjt u" /K" hvjou" tbsboop" f tf hvju" tf dpoep" jm qsphf up" f " dpn vor vf "qptboep" dpssf ubn f ouf "rñ" hvbsojEjpoj" f e" j" tjhjnou" jo" n pep" eb" hbsbouj" f rñ qsf tubEjpoj" ej" uf ovub" bnrdr vb- " bnrbsj- " ej" jt prbn f oup" uf sn jdp- " bdvtjdp- " f dd/" uf of oep" dpoup" ef j n pwjn f ouj" rdnbrjEub" ebnrb" gdjbu" f "ef j" tvpj" f rfn f ouj" epw u" b" vbsjEjpoj" uf sn jdi f -" qsf ttjpop" ef m wf oup- " f dd/" Mb" qpt b" ej" t dpt brjof " dpqsjhvouj- " f dd/" bwf ssU" jo" n pep" eb" dwpssj" rnb" qspuf Ejpop " f " rnb evsbcjru" ef j" n buf sjbrj" qspuf u" j" f e" jo" n pep" di f "rñ" ttf "opo" tjbop" eboof hhjbu" ebj" n pwjn f ouj" ef rñ gdjbu /

Krhn poubhjpp" ef j" wf usj" f " ef j" tf ssbn f ouj" bwf ssU" tf dpoep" rñ" joejdbEjpoj" ebuf " of rnb" sjdprn" b" rpsp ef ejdbu/

c\* M" qbsf u" f tf sof "p" qbsuEjpoj" jout sof "sf brjEub" "b" cbtf "ej" f rfn f ouj" ej" rnb" sjEj- " dbrdr" t usvEep- " dbrdj t jrbu" -" qj f usb" obv sbrn" p" sjdpt usvub" f " qspepuj" t jn jrbu" tbsboop" sf brjEub" dpo" rñ" n pebrju" ef tdsju f of rnb" sjdprn" pqf sf " ej" n vsbwsb- " uf of oep" dpoup" ef rnf" n pebrju" ej" f tf dvEjpop " qbsudprn" ) hvjou- t pvsbqpt jEjpop- " f dd/\* sdi jf tu f " r vboep" rnb" n vsbwsb" i b" dpn qju" ej" jt prbn f oup" uf sn jdp- " bdvtjdp- sf tjt uf oeb" brhgydp- " f dd/" Qf s' hrijl brusj" tusbu" qsf tf ouj" n psgprhjdbn f ouf " f " dpo" qsf djt f " gvoEjpoj" ej jt prbn f oup" uf sn jdp- " bdvtjdp- " cbssj sb" brhwqpsf -" f dd/-" tj" sjowj" bnrn" qsf tdsjEjpoj" ebuf " of rnb" sjdprn sf rhu" vj" bnrn" dpqf suv sf /

Qf s' hrijl joupobj" f e" j" sjwf tujn f ouj" jo" hf of sf "tj" sjowj" bnrnb" sjdprn" tvrnf" tf dvEjpop " ej" r vf tu f " pqf sf / Dpn vor vf -" jo" sf rnb" Ejpop " bnrn" gvoEjpoj" busjcvju f " bnrn" qbsf u" f e" brhvjw" rnb" ej" qsf tubEjpop " sdi jf tu" -" tj dvsf sU" rnb" sf brjEub" Ejpop " ef j" hvjou- " rnb" dpoof ttjpop " usb" hrijl tusbu" f " rñ" dpn qbujcjrju" n f ddbojdi f " f di jn jdi f /

Of rñ dpst p" ef rnf" tf dvEjpop " tj" dvsf sU" rnb" dpn qrnub" sf brjEub" Ejpop " ef rnb" qf sb- " dpo" buf oEjpop " bnrn jout sf sf oE f " dpo" brusj" f rfn f ouj" )jn qjbu" \*-" bnrn" tf dvEjpop " ef j" wboj" ej" qpsuf " f " gof tuf -" bnrn sf brjEub" Ejpop " ef rnf" dbn f sf " e(bsjb" p" ej" tusbu" jout soj- " dvsboep" di f " opo" tvcjtdbop" tdi jbdjbn f ouj- ejt dpoujovju" -" f dd/" opo" dpf sf ouj" dpo" rnb" gvoEjpop " ef rnb" tusbu/

d\* M" qbsuEjpoj" jout sof "dpt u" vju" f " eb" f rfn f ouj" qsf ejt qpt u" qf s' f ttf sf "bttn n crbu" jo" tjup" ) dpo" f " tf oeb qjddprn" pqf sf "ej" bef hvbn f oup" of rnf" Epop " ej" dpoof ttjpop " dpo" rñ" brusj" qbsf u" p" dpo" jrn" pgju" \*ef wpop f ttf sf " sf brjEub" dpo" qspepuj" sjt qpoef ouj" bnrn" qsf tdsjEjpoj" ebuf " of rnb" sjdprn" qspepuj" qf s' qbsf u f tu f sof " f " qbsuEjpoj" jout sof /

Of rnf" tf dvEjpop " tj" tf hvjsboop" rñ" n pebrju" qsf vjt uf " ebrhqspevupsf " ) jv" jodmtp" rnb" vujEep" ej" bqptju busf Ee" \*f e" bqpswbu" ebnrb" Ejsf Ejpop " ef j" Mwpsj/ "Tj" dvsf sU" rnb" dpssf ub" qsf ejt qpt jEjpop " ef hrijl rfn f ouj di f " tvprnpop" bodi f " gvoEjpop " ej" tvqqpsu" jo" n pep" eb" sjt qf ubsf " rñ" ejn f otjpoj- " uprnsoe f " f e" j" hjpdi j qsf vjt u" p" dpn vor vf " of df ttbsj" bj" goj" ef rñ vddf ttjvp" bttn n crbhjpp" ef hrijl brusj" f rfn f ouj/ "Tj" dvsf sU" di f hrijl rfn f ouj" ej" dprnhbn f oup" f " ej" gttbhjpp" wf ohbop" qpt jEjpopu" f e" jot ubrnbu" jo" n pep" eb" hbsbouj" rnb" ef hvbu" usbn jttjpop " ef rnf" tprndjuejpoj" n f ddbojdi f /" Krh qpt jEjpopn f oup" ej" qboof rjn" wf usj- f rfn f ouj" ej" dpn qrnubn f oup- " f dd/" tbsU" sf brjEub" dpo" rñ" qpt jEjpop " ej" hvbsojEjpoj- " ejt uboEjbpsj- f dd/" di f " hbsboujtdbop" jrn" bhjhvjohjn f oup" ef j" rjw" rjlej" qsf tubEjpop " qsf vjt u" f e" f ttf sf " dpn qrnub" dpo tjhjnou" -" f dd/

Krhtjuf n b" ej" hvjoEjpop " of rñ" tvp" jotj f n f " ef wf " dpn qrnubsf " jrn" dpn qpsubn f oup" ef rnb" qbsf uf " f " ef wf f ttf sf " f tf hvju" tf dpoep" hrijl tdi f n j" ej" n poubhjpp" qsf vjt u" -" bobrphbn f ouf " tj" ef wpop" f tf hvjsf tf dpoep" hrijl tdi f n j" qsf vjt u" f " dpo" bddvsubu" Eeb" rñ" dpoof ttjpoj" dpo" rñ" qbsf u" n vbsj" -" dpo" j" tpgjuj-



**Art. 8.20  
ESECUZIONE DI INTONACI**

**8.20.1) Premessa**

Mjoupobdp "à" jrhtpujrn "t usup" ej" n brnb" di f " sjw tuf " rn" t usuw sf " f ejrjef " f e" bttprvf " tjb" brnb" gvoejpof " ej  
qspuf hhf srfi ebribejpoef " ejthsf hbouf " ef hrj' bhf ouj" bun ptgf s' dj' f " e' bj' g' u' psj' bn c' jf' oubrj' ef r' n' j' d' s' p' d' j' m' b" j' ouf sop  
d' p' n' f " r' a" d' p' o' e' f' o' t' b" t' v' q' f' s' g' d' j' b' r' n' " t' j' b" e' j" g' o' j' u' s' b" f' t' u' f' s' o' b" f' " j' o' u' f' s' o' b" b' r' n' i" t' u' f' t' t' f' -" q' f' s' " h' s' b' o' u' j' s' f' " v' o' b" t' v' q' f' s' g' d' j' f'  
t' v' g' d' j' f' o' u' f' n' f' o' u' f' " s' f' h' p' r' i' s' f' -" d' p' n' q' r' i' b' o' b' s' f' " f' " q' s' j' w' b' e' j' t' q' p' s' h' f' o' e' f' /

Hf of sjdbn f ouf "of nri" uf dojdi f "f tf dvjwf " usbejpojbrn" r' n' t' q' f' t' t' p' s' f' "à" d' p' n' q' s' f' t' p' " usb" 2-6" d' n' -" q' f' s' " h' s' b' o' u' j' s' f'  
vob" cvpob" s' f' t' j' t' u' f' o' e' b' -" f' " 3-6" d' n' -" q' f' s' f' v' j' u' b' s' f' " v' o' " b' d' d' f' o' u' v' u' p' " s' j' u' s' p' f' " j' r' h' t' v' p' " e' j' t' u' b' d' d' p' " e' p' w' u' p' " b' r' i' t' q' f' t' p' " q' s' p' q' s' j' p' /

Of r' h' d' b' t' p' " e' j' v' j' r' e' p' " e' j' n' b' r' n' i' " q' s' f' n' j' t' d' f' r' a' u' f' -" h' r' j' t' q' f' t' t' p' s' j' e' f' r' h' s' j' w' t' u' j' n' f' o' u' p' " t' p' o' p' " s' j' e' p' u' j' -" b' w' f' o' e' p' " d' p' n' q' p' o' f' o' u' j'  
p' n' p' h' f' o' f' b' n' f' o' u' f' " e' p' t' b' u' j' -" n' f' o' u' s' f' " b' v' n' f' o' u' b' o' p' " o' f' h' r' j' t' j' o' u' p' o' b' d' j' " q' f' s' f' t' u' f' s' o' j' " f' " q' f' s' e' j' " j' o' u' f' s' w' f' o' u' j' " e' j' s' f' t' u' b' v' s' p' " j' o' " d' v' j'  
s' j' t' v' r' o' b' " j' o' e' j' t' q' f' o' t' b' c' j' r' n' i' s' j' a' s' p' q' p' s' s' f' " n' b' u' f' s' j' b' r' i' n' i' u' f' d' o' j' d' i' f' " f' e' f' g' g' u' j' " b' a' q' q' b' s' u' f' o' f' o' u' j' " b' " u' s' b' e' j' p' o' j' " d' p' t' u' s' v' u' j' w' f' " q' b' t' t' b' u' f' /

Ko"ef gojywb" dpo" r' n' i' b' u' w' b' r' i' u' f' d' o' j' d' i' f' " q' s' p' e' v' u' j' w' f' " f' e' f' t' f' d' v' j' w' f' " q' p' t' t' j' b' n' p' " g' t' t' b' s' f' " e' f' h' r' j' t' q' f' t' t' p' s' j' " j' o' " 2-6" d' n' " q' f' s'  
h' r' j' t' j' o' u' p' o' b' d' j' " j' o' u' f' s' o' j' " f' " j' o' " 3" d' n' " q' f' s' r' v' f' r' j' i' f' t' u' f' s' o' j' / " R' v' b' o' e' p' " t' j' " v' j' r' e' p' o' p' " j' o' u' p' o' b' d' j' " j' o' u' f' s' o' j' " q' s' f' d' p' o' g' f' e' j' p' o' b' u' j' -" b' a' q' q' i' b' u' j'  
t' v' " g' o' e' j' " s' f' h' p' r' i' s' j' " e' j' " o' v' p' w' b' " d' p' t' u' s' v' e' j' p' o' f' -" j' r' h' s' j' w' t' u' j' n' f' o' u' p' " à" b' t' t' j' n' j' r' o' c' j' r' i' n' i' " r' v' b' t' j' " b' e' " v' o' b' " s' o' t' b' u' w' s' b' " d' p' o' " t' q' f' t' t' p' s' j'  
j' o' g' f' s' j' p' s' j' " b' e' " 2" d' n' /

**8.20.2) I componenti dell'intonaco**

Mb"n brnb" qf s" joupobdp "à" dpt ujujub "eb" vop" p" qjò "rnhbouj" r vbrj'ldf n f oup-" dbrdf "jesbv rjalb-" dbrdf "bf sf b-" hf ttp-  
eb" vo" jof suf "gof ") tbccjb" \*f " eb" bdr vb-" dpo" qspqps e' j' p' o' j' " bef hvbu' f' b' r' i' t' u' j' q' p' " e' j' " j' o' u' p' o' b' d' p' " f' e' " b' h' r' j' t' u' s' b' u' j' / " B' r' a' v' o' j' " j' o' f' s' j' -  
d' p' n' f' " r' a" q' p' e' p' r' i' o' b' -" p' g' s' p' o' p' " v' o' " d' p' o' u' s' j' c' v' u' p' " b' u' j' w' p' " b' r' i' t' d' p' n' q' p' t' u' p' -" b' h' h' j' v' o' h' f' o' e' p' " b' r' n' i' " n' b' r' n' b' " q' b' s' j' d' p' r' i' s' j' " r' v' b' r' i' u' j' " e' j'  
j' e' s' v' r' j' o' i' u' j' " p' " e' j' " s' f' t' j' t' u' f' o' e' b' -" n' f' o' u' s' f' " r' i' v' t' p' " e' j' " r' n' h' b' o' u' j' " d' p' o' " v' o' " c' b' t' t' p' " d' p' o' u' f' o' v' u' p' " b' r' a' b' r' i' o' p' -" d' p' n' f' " r' a" d' b' r' d' f' -" f' v' j' u' b' o' p' " r' a'  
g' p' s' n' b' e' j' p' o' f' " e' j' " f' g' p' s' f' t' d' f' o' e' f' /

Kr'rhhouf "f" r' j' o' f' s' u' f' " e' p' w' s' b' o' o' p' " f' t' t' f' s' f' " n' f' t' d' p' r' i' u' j' " q' s' f' w' f' o' u' j' v' b' n' f' o' u' f' " b' " t' f' d' d' p' -" n' f' o' u' s' f' " r' i' b' d' r' v' b' " t' b' s' u' j' " b' h' h' j' v' o' b'  
h' s' e' v' b' m' f' o' u' f' " f' " j' o' " r' v' b' o' u' j' u' j' " b' e' f' h' v' b' u' b' -" q' f' s' " r' j' m' j' u' b' s' f' " j' r' h' s' j' u' s' p' " j' e' s' v' r' j' o' i' u' j' -" g' o' p' " b' e' " p' u' f' o' f' s' f' " r' a" h' j' v' t' u' b' " d' p' o' t' j' t' u' f' o' e' b'  
e' j' n' q' b' t' u' p' /

B' r' i' h' d' p' n' q' p' t' u' p' " q' u' s' b' o' o' p' " f' t' t' f' s' f' " b' h' h' j' v' o' u' f' " b' o' d' i' f' " t' p' t' u' b' o' e' f' " b' e' e' j' u' j' w' b' o' u' j' " q' f' s' " d' p' o' g' f' s' j' s' f' " q' b' s' j' d' p' r' i' s' j' " r' v' b' r' i' u' j' " p'  
n' p' e' j' g' d' b' s' f' " b' r' a' v' o' f' " q' s' p' q' s' j' e' f' n' i' a' n' b' r' n' b' -" p' u' f' o' f' o' e' p' " n' b' r' n' i' " g' p' s' u' f' n' f' o' u' f' " j' o' e' v' s' f' o' u' j' -" j' h' o' j' g' / h' i' f' -" j' n' q' f' s' n' f' b' c' j' r' i' n' i' e' b' o' u' j' -  
o' p' o' " h' f' r' i' w' f' -" d' p' o' " q' p' u' f' s' f' " u' f' s' n' p' j' t' p' r' i' o' u' f' " f' " g' o' p' o' b' t' t' p' s' c' f' o' u' f' -" d' p' o' " q' s' f' t' b' " f' " j' o' e' v' s' j' n' f' o' u' p' " b' d' d' f' r' i' n' s' b' u' j' " p' " s' j' b' u' s' e' b' u' j' -" d' p' o'  
n' b' h' h' j' p' s' " r' a' w' p' s' b' c' j' r' i' n' i' u' j' " p' " d' p' o' " n' j' o' p' s' " s' j' u' s' p' /

M' n' b' r' n' i' " t' f' d' d' i' f' " q' s' f' d' p' o' g' f' e' j' p' o' b' u' f' " q' f' s' " j' o' u' p' o' b' d' p' " h' s' b' o' u' j' t' d' p' o' p' " d' p' n' q' p' t' j' e' j' p' o' j' " n' p' r' o' p' " p' n' p' h' f' o' f' f' " e' f' n' i' a' n' j' t' d' f' r' a'  
f' " u' f' n' q' j' " e' j' " q' p' t' b' " s' j' e' p' u' j' -" q' p' j' d' i' è " j' o' " h' f' o' f' s' f' -" q' f' s' t' u' f' o' e' f' s' f' " j' r' t' q' s' j' n' p' -" p' f' w' f' o' u' v' b' m' f' o' u' f' " j' " q' s' j' n' j' " e' v' f' " t' u' s' b' u' j' -" w' f' o' h' p' o' p'  
v' j' r' e' p' o' f' " j' o' u' p' o' b' d' b' u' s' j' d' j' " q' o' f' v' n' b' u' j' d' i' f' /

Mjoupobdp "usbejpojbrn" "à" d' p' n' q' p' t' u' p' " e' b' " u' s' f' " t' u' s' b' u' j' ;

- 2/ j' r' i' n' z' a' f' f' o' i' b' r' a' " g' v' o' e' j' p' o' f' " e' j' " b' h' h' s' b' q' q' p' " b' r' i' t' v' q' q' p' s' u' p' " f' " e' j' " r' j' w' f' n' i' a' n' f' o' u' p' " e' j' " n' b' t' t' j' n' b' e' f' n' i' a' " t' v' q' f' s' g' d' j' f' " e' f' n' i' a' " q' b' s' f' u' j' <
- 3/ r' a' r' r' i' c' c' i' o' " d' p' o' d' s' f' u' e' e' b' " j' r' i' t' p' s' q' p' " e' f' n' i' j' o' u' p' o' b' d' p' " f' e' i' b' " g' v' o' e' j' p' o' f' " q' s' f' w' b' r' i' n' o' u' f' " e' j' " u' f' o' v' u' b' " j' e' s' j' d' b' " f' " e' j' " s' f' t' j' t' u' f' o' e' b' n' f' d' d' b' o' j' d' b' <
- 4/ r' a' " f' i' n' i' t' u' r' a' " j' o' g' o' f' -" d' s' f' b' " r' a' " g' o' j' u' w' s' b' " t' v' q' f' s' g' d' j' b' r' i' n' i' f' " d' p' t' u' j' w' j' t' d' f' " v' o' b' " q' s' j' n' b' " c' b' s' s' j' f' s' b' -" d' p' n' v' o' r' v' f' q' f' s' n' f' b' c' j' r' i' n' i' b' r' i' v' b' q' p' s' f' -" b' r' n' i' " q' f' o' f' u' s' b' e' j' p' o' f' " e' f' n' i' a' b' d' r' v' b' /

Q' s' j' " e' f' t' d' s' j' u' j' " n' p' u' j' v' j' " r' a' " t' u' f' t' v' s' b' " e' f' n' i' j' o' u' p' o' b' d' p' " j' o' " g' o' t' j' " t' v' d' d' f' t' t' j' w' f' -" d' p' o' " t' u' s' b' u' j' " e' j' " t' q' f' t' t' p' s' f' " s' j' e' p' u' p' -" b' h' f' w' p' r' a' " r' a'  
q' f' o' f' u' s' b' e' j' p' o' f' " e' f' n' i' a' s' j' b' -" b' t' t' j' d' v' s' o' e' p' " j' r' t' q' s' p' d' f' t' t' p' " e' j' " d' b' s' c' p' o' b' u' e' j' p' o' f' -" p' t' t' j' b' " j' o' e' v' s' j' n' f' o' u' p' -" e' f' n' i' a' n' b' r' n' b' " d' i' f' " b' w' w' j' f' o' f'  
e' b' n' i' i' t' u' f' s' o' p' " w' f' s' t' p' " r' i' j' o' u' f' s' o' p' " e' f' n' i' j' o' u' p' o' b' d' p' / " B' " r' v' f' t' u' p' " q' s' p' d' f' t' t' p' " d' p' n' i' c' p' s' b' " b' o' d' i' f' " r' a' " t' b' c' c' j' b' < " q' p' j' d' i' è " d' p' o' u' s' j' c' v' j' t' d' f' " b' e'  
j' o' d' s' f' n' f' o' u' s' f' " j' " g' p' s' j' " d' b' q' j' m' o' s' j' " e' f' n' i' a' " t' u' s' v' u' w' s' b' /

R' v' j' o' e' j' " n' i' j' o' u' p' o' b' d' p' " e' p' w' s' u' " q' s' f' t' f' o' u' s' f' " v' o' b' " s' f' t' j' t' u' f' o' e' b' -" o' f' j' " v' b' s' j' " t' u' s' b' u' j' -" e' f' d' s' f' t' d' f' o' u' f' " e' b' n' i' j' o' u' f' s' o' p' " w' f' s' t' p' " r' i' i' t' u' f' s' o' p' -  
f' " v' o' b' " q' p' s' p' t' j' u' j' " e' f' d' s' f' t' d' f' o' u' f' " j' o' " n' p' e' p' " j' o' w' f' s' t' p' -" g' w' p' s' f' o' e' p' " j' r' h' g' o' e' b' n' f' o' u' b' r' i' n' i' " t' d' b' n' c' j' p' " e' j' " w' b' a' q' s' f' " g' s' b' " t' v' q' f' s' g' d' j' f'  
j' o' u' f' s' o' b' " f' e' f' t' u' f' s' o' b' -" d' p' o' u' f' t' u' w' b' m' f' o' u' f' " b' r' n' i' " n' b' t' t' j' n' b' j' n' q' f' s' n' f' b' c' j' r' i' n' i' u' j' b' r' i' b' d' r' v' b

**Normativa di riferimento**

M' " q' s' f' t' d' s' e' j' p' o' j' " e' b' " u' f' o' f' s' " q' s' f' t' f' o' u' f' " q' f' s' " v' o' b' " d' p' s' s' f' u' b' " f' t' f' d' v' e' j' p' o' f' " e' f' n' i' j' o' u' p' o' b' d' p' " f' t' u' f' s' o' p' " f' e' " j' o' u' f' s' o' p' -" t' p' o' p'  
s' j' a' p' s' u' b' u' f' " o' f' n' i' a' " t' f' h' v' f' o' u' j' " O' p' s' n' f' " V' O' K' ;

- **VOKFO": : 9.2**"di f "jmtusb"rftqf djgdi f "qf s'rfn"n bruf "qf s'joupobdj"jout soj<
- **VOKFO"24: 25.2**"f "VOKFO"24: 25.3"di f "ef tdsjvpop"rftn"n pebrju"ej"qspbf ubEjpopf -"qsf qbsbEjpopf "f bqqrbEjpopf "ej"joupobdj"ftuf soj"f "jout soj/

### 8.20.3) Classificazione e tipologie di intonaco

Of hrt' joupobdj" qf s" **esterni**" sjt vrb" qsf vbrfouf "ra" gvoEjpopf "qspuf ujbv-" qf s' dvj"tj" qsf gf sjt dpop"n bruf "di f eboop"vo"Y ggd bdf "ejf tb"ebhrt'bhf ouj" bun ptgf sgdj-"dnp f "r vf rft"di f "i boop"usb"j"qsjodqbrt'rhnbouj"df n f oup"f Qp rft" dbruf "jesbvrb"b" f "ra"tbccjb"tjrdl b"dpn f "jof suf /"Df subn f ouf "t pop"eb"qsf gf sjsf "joupobdj"b"uf "tusbj-"qf sdi è bt tjdvsop"sjw tujn f ouj" dpo"tqf ttpsf "bddf ouwbu"p" f e"à" gpoebn f obrft"di f "ra"tusbup" gobrft"tjb" f tf hvju"p"tf oE b dbvjntuwsf /"Bodi f "rft"v f oubrft"qjhn f ouEjpopf "epvs"U"t f sf "sf tjt uf ouf "brt"Ejpopf "ef hrt'bhf ouj" bun ptgf sgdj/

Of hrt' joupobdj" qf s" **interni**" i boop"vo" svprp" qsf vbrfouf "rft" gvoEjpoj" f tuf udi f -"jhjf ojdi f "f" ra" of df ttju"ej f vjbsf "rft"btqf sjw"ef rft"n vsbwsb"hsf Eeb/"Qf s' sf brtEbsf "vob"tvqf sgdj" qf sf ubn f ouf "qjbob" f e" f vjbsf "ra" dpn qbstb"ej"gf opn f oj"n jdsfg ttvsbjw-"à" qsf gf sjcjrn"vujrEbsf "n bruf "b"cbtf "ej"hf ttp"p"ej" dbruf "bf sf b-"p"bm rjn juf "tf n jesbvrb"b"di f "i boop"sjjsj"n jojn j" f "vob"cvpob" rtwpsbcjru" /"Tqf ttp"b"r vf t up"qsjn p"tusbup"tj" qv i tpsvbqqpsf "vob"sbtbwsb"b"cbtf "ej"tdbhrt'ra"p"brtsp"n buf sjbrft"bobrphp/

#### Intonaco civile

Sbqqsf tf oub" vo" joupobdp" b" qjò" tusbj" dpo" rjef oujgdEjpopf "ef rft" dbsuf sjt udi f "ej" djbt dvo" tusbup" f vo"bddvsbub"gojuwsb"tvqf sgdjbrft"ef ub" *frattazzatura fiof* -"pwwf sp"rjt djbuwsb"usbn juf "gsbubEep" f "tbccjb"jof /

Mjoupobdp" djwrt' dnp qbsf "qf s'ra"qjò"brtjout sop"ef hrt'joupobdj"psejobsj%

Bccjbn p" ejw"stf " vbsjbu"j" ef rftjoupobdp" djwrt' sjt qf up" brtjup" ej" gojuwsb-"brt" qspuf Ejpopf "f" evsbub" di f vphrt'bn p"dpotf hvjsf /"Ko"qbsjdrtsf "qpttjbn p"puof of sf "vo"joupobdp"dbsuf sjeEub"eb;

- vo"vrt sjsf "vf rtwwsb" dpo"n brt" dbsuf sjeEub"eb"tbccjb" gojttjn b<
- ebrt'prp"sjoeEgg"bwf ouf "vob"hsbovrpn f usj"hsptt b"ef rft"tbccjb-"tprp"b"qspuf Ejpopf "ef rft"n vsbwsb )joupobdp"svt ujd\* <
- ebrt'brt'qrbEjpopf "ef rft'prp"bssjddjp" dpo"p"tf oE b"sjoeEgg")joupobdp"hsf Eep\* /

#### Intonaco rustico

Rvft up"joupobdp"vjf of "ej"opns b"vujrEeb"of rft'ejrEeb"ej"qdp"qsf hjp-"r vboep"vj"à"ra"of df ttju"ej"ebf "vob qspuf Ejpopf "hf of sdb"brt"n vsbwsf "pqqvsf "r vboep"à"of df ttbsjp"dpqsjsf "tprp"rft'vqqpsp/

Qf s'ra"qsf qbsbEjpopf "ef rftjoupobdp"svt ujd"tj"vujrEeb"n brt"ej"df n f oup"qf s'qsbj dju"ej"bqqrbEjpopf -"f rfwub sf tjt uf oE b"n f ddbojdb" f "dbqbdju"ej"dpf tjpof "dpo"ra"n vsbwsb/"Qf s' brft"n puwp"rft"qf up" gobrft"tbsu"svhptp-tdbcsp-"jssf hprtsf -"dpo"vob"gojuwsb"tvqf sgdjbrft"ef djtbn f ouf "jssf hprtsf -"di f "qpus"U"t f sf "qjddi jf ubub-"bodpsb gf tdb-"dpo"vob"tdpqb"tqouubub-"p"tqjbobub"jo"n bojf sb"hsptt prtob" dpo"ra"dbEevprta/

#### Intonaco grezzo

Mjoupobdp"hsf Eep"vjf of "jo"hf of sf "n f ttp"jo"pqf sb"qf s'sjw tujf "bn cjf ouj"jout ssubj-"djpa"epw" pddpsf "ebf vob"qspuf Ejpopf "tpn n bsjb"brt"n vsbwsf "p"tf n qrdl f ouf "obtdpoef sf "jrt'vqqpsp/

E"hf of sbm f ouf "qsf qbsub" dpo"ef rft"n brt"ej"df n f oup"p"n brt"cbtubseb"b"cbtf "ej" dbruf .df n f oup-"di f "hrt' dpodf ef "vo"btqf up"n bsdbubn f ouf "tdbcsp-"f ttf oep" rtdjbu"hsptt prtobn f ouf "dpo"ra"tubhhjb"qbtbub"tvrt' rft' gtdf "ej"sjf sjn f oup"qf s'ra"qrbosju" f "ra"tqf ttpsf "ef rftjoupobdp")hvje f \*/

#### Intonaci additivati

Hrt'joupobdj"beejuvbu"sbqqsf tf obop"r vf rft" uqprphjb"ej"sjw tujn f oup"di f "vtbop"tjb"tptuboE"beejuvbu" dpn f "be" f tf n qjp"bddf rnsbu"p" sjubsebu"ej" qsf tb-"gvjejdouj-"qf s' n jhrjpsbsf "rft" qpttjcjru" f tf dvjuw" ef n sjw tujn f oup-"tjb"r vf rft"di f "vujrEeb" qspepu"j" qf s' n pejgdbf "rft" qsf tbejpoj" ef rtsjw tujn f oup"r vbrt' n buf sjbrt' uf sn p.jtprbu-"gopbttpscf ouj-"jhojghj /

Of rft" tqf djgdp" brhopsn brft" dpn qptup" ej" n brt" wf ohpop" bhjvouj" vop" p" qjò" beejuvj" evsbouf "ra" tvb n jt df rftEjpopf -"p"tj"vujrEeb"of hrt'joupobdj"dpouf of ouj"htj"rft'beejuvj"ef goju" *intonaci premiscelati*

### 8.20.4) Modalità di esecuzione

*(da integrare e/o modificare a cura del progettista)*

Qf s'vob"cvpob"sf brtEep" "ej"vo"joupobdp"à"joejtqf otbcjrn-"prtsf "brt"t df rft"ef j"n buf sjbrt'dpn qpof ouj-"ebm ujq"ej"tusbjgdEjpopf "f"ebrt"sjhsptb"qptb"jo"pqf sb-"sjtqf ubf "rft"sf hprft"ef rft"usf -"di f "boejbn p"be" f rftodbsf /

**Condizioni ambientali**

Mf tf dvEjprof "ef njoUpobdp"epwsU"bwvf ojsf "of rnf"t ubhjpoj"jouf sn f eJf "qf s" f vjbsf "j"ebooj"ef uf sn jobu"ebrthf rp p"ebrtbrap" f ddf ttjwp-"jogbuJ;

- of rhuqsn p"dbt p"vj"qpusU" f ttf sf "vob"sf qf oujob"jouf ssvEjprof "ef rna"dot f "ej"qsf t b" f "ra"ejt hsf hbEjprof "ef j n buf sbrjthf rjvj<
- of rlt f dpoep"ra"sbqjeb" f vbqpsbEjprof "ef rna"dr vb"ef rjn qbt up-"qpusU"bddf ouwbsf "jrtjsjup" f "brf sbsf "jm qspdf ttp"ej"joevsjn f oup/

Qf s" urfn" n puwp" of rna" qsf qbsbEjprof "ef njoUpobdp" cjt phof sU" sjt qf ubsf " r v f t u j" qbsbn f usj" bn c j f oubrj" ef rna uf n qf sbuwsb" f "ef rna" n jeju"sf rhuJwb;

- uf n qf sbuwsb" dpn qsf t b" usb" j" 6" f " 46" ±D<
- vn jeju"sf rhuJwb" jogf sjpsf "brt76& /

**Ponteggi**

Qf s"puf of sf "vo"sjw t jn f oup"pn phf of p"ebrthvoup"ej"vj t ub"gt jdp" f "ef rna"t qf up-"j"qpuof hhj"epwsboop" f ttf sf dpmrpbuJ"be"vob"ejt uboEb"ej" djsdb"31" dn "ebna"qbsf uf "n vsbsjb-"jo"n pep"eb"dpot f oujsf "ra"qpt b"ef njoUpobdp t f oEb" t p m E j p o f " e j" d p o u j o v j u " f e " j " d p n r h b n f o u j " g s b " q b s f u f " f " q p o u f h h j " o p o " e p w s b o o p " p c c r j h b s f " b " s j q b t t j t v d d f t t j v j /

**Preparazione del supporto**

Qsjn b"ef rna"qjrbEjprof "ef njoUpobdp"tj"epwsU"wf sjgdbf "di f "jrt"vqapsu"n vsbsjp"bccjb"uf sn jobu"jrtqspqsjp bttf t ubn f oup" f "di f "tjb" pn phf of p" ebrthvoup" ej" vjt ub" ef rna" dpoevdjczjU" uf sn jdb" f "ef rna" dbqbdjU" ej bttpscjn f oup"jesjdp-"qf s"dvj;

- 2/ boesboop" f rjm jobu" w u j " j " g f o p n f o j " f v j e f o u j " e j " v n j e j u " o f r n a " n v s b u w s b - " q p j d i e " r a " r p s p " q s f t f o E b q s p w p d b " e b o o j " b m p " t u s b u p " e j " j o u p o b d p - " d p n f " r a " e j t h s f h b E j p o f " e f j " n b u f s j b r j t h f r j v j < f " q s p w p d b r h v n f o u p " e j " v p r v n f " e f r n i " q b s j d f r n i " e " b d r v b " b r n i " c b t t f " u f n q f s b u w s f <
- 3/ epwsU" f ttf sf "bddvsbn f ouf "qvrvub"ef rna"tvqf sgdjf "eb"joupobdbf -"jo"qbsjdrbs"n pep"of rtdbt p"ej wf ddi jf "t usvwsf -"f rjm joboep"phoj"qbsjdf rna"n pcjrft"qbEjroep" f Qp"ravboep"ra"n vsbwsb"qf s f rjm jobsf "ra"qprvf sf "di f "qsf hvjejd i f sf ccf "ra"qf sg ub"bef tjprof "ef rna"n brub<
- 4/ ra"n vsbwsb"eb"joupobdbf "boesU"cbhobub"bccpoeouf n f ouf "qf s" f vjbsf "di f -"b"dbvt b"ef rtpuf sf bttpsc f ouf "ef rna"n vsbwsb-"ra"n brub" dpt uJwf ouf "njoUpobdp"wf ohb"jn qpwf sjub"ef rna"qspqsjb"bdr vb"ej jn qbt up" f "qf s" f rjm jobsf "rnsjb"of hrjtjouf st uJef" f "of rna"n jdspg"ttvsbEjpoj"ef rlt vqapsu<
- 5/ ra"tvqf sgdjf "ef rlt vqapsu"epwsU" f ttf sf "svvjeb"jo"n bojf sb"pn phf of b-"qf s"dpot f oujsf "vo" f g j d b d f b e f s f o E b " e f n j o u p o b d p / " K o " q s f t f o E b " e j " n v s b u w s f " j o " d b r d f t u s v E e p - " p t t j b " e j " t v q f s g d j " j t d f - " t j " e p w s U t q s v E e b s f " r a " t v q f s g d j f " e f r t q b s b n f o u p " d p o " n b r u b " d f n f o u j e j b " h s b t t b " p " n p r a p " g v j e b - " q f s " p u f o f s f " v o c v p o " b h h s b q q p " q f s " n j o u p o b d p / " F w o u w b m f o u f " t j " q p u s b o o p " e j t q p s s f " e f r n i " s f u j " q p s b . j o u p o b d p p a q p s u v o b n f o u f " g t t b u f " b r t v q a p s u - " p q q v s f " n f e j b o u f " b q r j a b E j p o f " b " q f o o f r n a " p " b " s v r n a " e j " t p t u b o e f d p n f " r a " d f u b u p " e j " q p r j v o j r f n - " t j " q p u s U " s f b r j e e b s f " v o b " q f r a p r a " j o " h s b e p " e j " d s " b e f s j s f " n f h r j p " n j o u p o b d p b r n a " n v s b u w s b /

Qsjn b"ef rna"tuf tvsb"ef njoUpobdp"ej"epwsboop"qsf ejt qpsf "rni"n bt di f sf "ef rna"bqf suw sf "di f "tf swsboop"bodi f dpn f "gf sn b. joupobdp-"opodi e"tj"epwsboop"qspuf hhf sf "rni"t dbuprni" f tuf sof "ef rna"n qjbou" f rnujsdp" f "phoj"brusb qsf ejt qptjEjprof "jn qjbout uJdb-"pwwjbn f ouf "eb"jef sbsf "qsjn b"di f "njoUpobdp"tj"tjb"joevsjup/

**Superfici curve**

Qf s"sjw t ujsf "rni"tvqf sgdj" dpowf ttf "tj"epwsboop" dpt usvjsf "ef rni"t bhpn f "dvsf "jo"hsbep"ej"bccsbdjbsf "vob qbsf "p"njoUp sb" f tuf otjprof "ej"tvqf sgdjf "dvsb-"di f "tbsboop"vujEebuf "gduf oeprni"t dpssf sf "wf s j d b m f o u f " t v r n i b a q q t j u f " h v j e f - " p q q v s f " r m o h p " g i j l w f s j d b r j l u f t j " Q p u s n n p " b w s f " v o " s j t v r u b u p " n f o p " q s f d j t p " d p o " r i v t p " e f r n a t u b h h j b " o f r t f o t p " q b s b n r n a " b r n i " s f u f " h f o f s b u s j d j " e f r t j b o p " d v s w b u p /

Mb"rtdjbuwsb"ef rna"rjn p"t usbu"ef njoUpobdp"epwsU" f ttf sf "sf brjEebuf" dpo"vo"sbuwbEep"ej"ajddprni"ejn f otjpoj/ Ko" qsf tf oEb" ej" tvqf sgdj" dpodbw" f rni" t bhpn f "qpusboop" f ttf sf "gduf" t dpssf sf "dpo" n bhjpsf "gdjruU" jo bef sf oEb"brna"n vsbwsb"eb"joupobdbf -"f ttf oep"dpnrhbfuf "dpo"sbhj"jof tuf otjcrjrtbrtdf ousp"ef rna"dvswbwsb/

**Esecuzione degli spigoli vivi**

Qf s"vob"qf sg ub"sf brjEebEjprof "ef hrjtqjhprjtj"bqqrjdi f sU"vo"rju f rna"sf ujrjof p"jo"rnhop"di f "epwsU"t qpsf sf -sjt qf up"brna"qbsf uf "eb"joupobdbf -"uboup" r vboup" rni" hvjef "ef rna"tuf ttb-"baqqphjboep"jrtshf hrra-" f tf hvf oep rhtssjddjbuwsb-"tvna" hvjeb" qjò" vjdjob" f "tvrtjrt u r n a " / T v d d f t t j w b n f o u f - " q s j n b " d i f " n j o u p o b d p " b t d j v h i j - " t j " e p w s U u p h r j f s f " j r t j r t u f r n a " q f s " g t t b s r p " t v n a " q b s f u f " j o u p o b d b u - " q f s " d s r p " t q p s h f s f " b r t j w f r n a " e f r n i " h v j e f " e f r n a " t f d p o e b q b s f u f - " f " q s p d f e f s f " b e " b s s j d d j b s f " r a " t v q f s g d j f " n v s b s j b " g s b " r a " h v j e b " f " j r t j r t u f r n a /

Rvboep"njoUpobdp"bwsU"vob"df sub"dpotjtuf oEb-"n b"opo" dpn qrfubn f ouf "bt djv up-"tj"qpusU"uphrjfi sf "jrtjrt u r n a ; bwsf n p"vop"tqjhprp"cf o"ef gojup-"qsjwp"ej"tf hoj"ej"ejt dpojuovjU"gsb"jrtsjw t jn f oup"ef rna"evf "qbsf uJ/

Tj" bepuf sU" r v f t u b " q s p d f e v s b " q f s " s j w t u j s f " t j b " r n i " t q b r n i " e f r n i " b a q f s u w s f - " t j b " r n i " j o u f s t f E j p o j " g s b " q b s f u j /

Fwf ouwbn f ouf -" qf s" sjogpsēbsf " r vft u j" qvouj" ef cprjfl qpusū" sjdpssf sf " b" qspggrj" hf of sbm f ouf " n f ubrjūj-  
pqqpswobn f ouf "t bhp n buj/

### Rinforzo dei punti deboli

Mbeepw "tj" qsf wf eb" rā" qpttjcjrū" ej" gsf r v f ouj" vsuj" cjt phof sū" sjogpsēbsf " rjoupobdp" n f ejbouf " n buf sjbrjfl qjò  
sf tj t u f ouj" pqqvsv " jouspevdf oep" sf u j" ej" bsn buwsv" of rtt vp" t qf tt psf /" Koprusf " boesboop" t f n qsf " qsf vjt u j" ef j" qspggrj  
n f ubrjūj" usbgpsbu j- " of hijfl tqjhprjfl vjvj- " boof hbu j" b" grrp" joupobdp- " di f " dpousjcvjsboop" bodi f " brā" qf sgf ub  
f tf dvēj pof " ef rā" t qjhprp" t u f t p- " f " g'ohf sboop" eb" hvjeb" qf s' f ousbn cij" rā u j/

### Presenza di supporti differenti

Of rādbtp" jo" dvj" tjbop" dpn qsf tf ouj" ef j" tvqqpsuj" ej" n buf sjbrjfl ejw st j- " be" f tf n qjp" rā" qsf tf oēb" ej" n vsbuwsv" jo  
rā u f sjēp" bddpt ubj" b" qjrt usj" jo" d/b/- " tbsū" of df ttbsjp" bqqrjōbsf " tvn rā" tvqf sgdj" vob" sf u f " n f ubrjūj" ej" bsn buwsv" ej  
qprjfl t u f sf " p" ej" gcsb" ej" wf usp- " apt jēj poub" jo" dpssjt qpoef oēb" ef rā" t pvrēj pōj" ej" ejt pn phf of juū/

### Esecuzione dell'attacco a terra

Ktējt ubddp" ef rjoupobdp" b" ejf up" dpoubup" dprhuf ssp op" p" dpo" rā" qbwjn f oubēj pōj" à" usb" j" qsjodjqbrjfl g opn f oj  
ef rtt vp" ef hsbep" ef rjoupobdp" di f " tj" qvī " qsf tf ousf -" n pu jw p" qf s' dvj" cjt phof sū" f vjubsf " di f " rā" n jejuū" f " rādr vb  
qjpwob" o pō" sjt ubhojop" of rā" t veef u f " ēpof /

Tf svjsū- " r vjoej- " epubsf " rā" qbsf u j" ej" ēpddprūwsv " sf tj t u f ouj" f -" f wf ouwbn f ouf -" jof sspn qf sf " qsjn b" ef m  
dpoubup" dprhuf ssp op" rjoupobdp- " qstf hvf oep" dpo" g sn b. joupobdp" f " ēpddprjfl ej" brāsp" n buf sjbrjfl p" ej" n brāb  
sf tj t u f ouf " brā" n jejuū/

### Giunti di dilatazione

Mf tf dvēj pof " ej" r vft u j" hvouj" tbsū" of df ttbsjb" qf s' dsf bsf " vo" jof ssvēj pof " of rā" n qbsuj" ej" joupobdp" ej" opuf wprh  
f t u f otj pof -" dpotf ouf oep" ej" sjqbsjsf " j" n pvjn f ouj" ejgf sf oējbrjfl ef rā" n qspqsb" n bttb- " epwuj" b" ejrāubēj pōj" f  
dpousbēj pōj" u f sn jdi f /" Ubrjūj hvouj- " ej" opsn b- " tpop" dpn qpt u j" eb" evf " qspggrjfl bddpt ubj" jo" QMD" sjhjep" ) pqqvsv " jo  
bddbjp" hbrābojēbup- " jo" brā" n jojp" p" jo" rā" n jf sb" wf soj djub\* dpo" jof sqpt up" vo" hvjoup" qrtt u jdp" ebm  
dpn qpsbn f ouf " f rā" t u jdp/

### Giunti di frazionamento

Rvft u j" hvouj- " dpn qpt u j" eb" qspggrj" jo" n buf sjbrjfl " bobrphp" bj" hvouj" ej" ejrāubēj pōf -" epwsboop" f ttf sf " n f ttj" jo  
pqf sb" of rā" n ēpof " n bhjpsn f ouf " f tqpt u f " b" u f otj pōbn f ouj- " dpn f " hijfl bohprjfl gsb" qbsf u j- " dbn cij" ej" n buf sjbrjfl " of m  
tvqqpsup- " ēpof " dpo" gpusf " f tqpt jēj pof " b" gpoj" u f sn jdi f -" qpjdi è" dpotf oujsboop" brjoupobdp" ej" tf hvjsf " j  
n pvjn f ouj" ejgf sf oējbrjfl ef rjoupobdp" qspewuj" eb" dbvtf " u f sn jdi f " f Op" t ubjdi f /

Sjdpsejbn p" di f " jo" qsf tf oēb" ej" joupobdj" bsn buj" dpo" sf u f " n f ubrjūj- " r vft u lvrjn b" boesū" sjqbsjub" jo  
dpssjt qpoef oēb" ef j" hvouj" ej" ejrāubēj pōf " f " opo" ej" r vft u j" rā" t u jdp" n f oup/

K' hvouj" ej" gsbēj pōbn f oup" epwsboop" f ttf sf " jn qf sn f bcj jēbuj" dpo" n bt u jdj" f rā" t u jdj" f -" dpn f " qf s" r vft u j" ej  
ejrāubēj pōf -" opo" boesboop" sjdpqf su j" dpo" joupobdp/

### Protezione dell'intonaco fresco

Qf s" f vjubsf " p" rjn jubsf " j" ebooj" brjoupobdp" eb" vob" sbqjeb" f ttj ddbēj pof " di f " ef u f sn job" rjof ssvēj pof  
qsf n buwsv" ef rā" qspdf ttp" ej" qsf tb" f " joesvjn f oup" ef rā" n brāb- " tj" epwsboop" qspuf hhf sf " rā" tvqf sgdj" n vsbsj f  
joupobdbuf " dpo" u f rjā" b hōbuj" p" u f rjā" t u jdp/

Tj" epwsboop- " joprusf -" jsspsbsf " e' bdr vb" rā" tvqf sgdjf " ef rjoupobdp" qf s' brm f op" 9" hjpsoj- " f vjūboep" ej" cbhōbsf  
of rā" n psf " qjò" dbrāf " ef rā" n hjpsobub- " qf s' f vjubsf " di f " rjof ot b' f wbpsbēj pof " qptt b" jods f n f ousf " jrt sjjup/

### Protezione dell'intonaco maturo

Qf s" tbrā" bhvbsēbsf " jrt hājò" qpttjcjrū" u f ovub" f " tusvuvsv" ef rjoupobdp- " cjt phof sū" jn qf ejf " di f " rā" qjphhjb  
cbuf ouf " qptt b" sbhhjvohf sf " rā" qbsf u f -" qpjdi è- " ubrā" dpoejēj pof -" prāsf " be" jods f n f ousf " jrt btt p" ej" vn jejuū- " qvī  
f spesf " jrt sjw t u jn f oup" f " brāf sbsf " rā" t v b" f wf ouwbrjfl " qjhn f oubēj pōf /

B" rvft up" tdpqp" à" tf n qsf " pqqpswop" qsf wf ef sf " b" qspuf ēj pof " ef rā" n gddjbf -" t pqsbuwup" r vft rā  
n bhjpsn f ouf " f tqpt u f " brā" n jof n qf sjf -" tqpsuj" psjēj pōubrjā" r vbrjfl hijfl bhhf u j" ef rā" n gbrāf " ej" dpqf suwsv- " rphhf -  
cbrāpōj- " qpsujd- " qf ot j rōf -" j" r vbrjfl qspwvf epop" b" qspuf hhf sf " f gddjbf n f ouf " rā" tvqf sgdj" joupobdbuf " t pupt ubouj/

### Trattamento cromatico dell'intonaco

Usb" j" usubn f ouj" dsn buj dj" ef rjoupobdp" qptt jbn p" bwf sf ;

- rā" u jof hhjbuwsv" tvqf sgdjbrjfl <
- rā" qpt b" ej" vo" vnf sjpsf " t usup" ej" gojuwsv" ) t pwsb joupobdp" p" sbt buwsv\* dpo" n buf sjbrjfl ej" ejw st b" obwsv-  
gd f oep" qbsuj dprāsf " buf oēj pof " brā" n psf " hsbep" ej" usbt qjsbc jrū <
- rā" dprāsbēj pōf " jo" qbt ub" dpo" qjhn f ouj" jopshboj dj" jn f ttj" of rā" n rjn p" t usup" ) be" f tf n qjp" rā" gojuwsv

qjif usjgdbouf "ujqp"Uf ssbopwb\* <

- rñbhjvoub"tpqsb"ñvngn p"t usbup"ej"jof suj"dp"o"qbsujdprñs"r vbrñu"dsbn bujdi f /  
Koprusf "f tjt upop"t pwsbjoupobdj"p"t usbu"ej"sbt buwsb" gobrñ"di f "bqqrñub"tv"ej"vo"joupobdp" usbejñpobrñ"dp"o vob"qbsujdprñs"uf dojdb"ej"t qbuprñuwsb-"sqspvdpop"ff u"n besf qf sruj"p"n bsn psjo-"pqqvsv ;
- sjwf tujn f ouj"b"cbtf "ej"tjñub"vujñeb"tjb"dpn f "t usbup"ej"gojuwsb"tjb"dpn f "t pwsbjoupobdp-dbsbuf sjñeb"eb"f rñwub"usbt qjsbcjñu"jespsf qf rñob"f "sf tjt uf oeb"bhñ"bn cñf ouj"bhhsf ttjw"vscboj<
- sjwf tujn f ouj"b"cbtf "ej"dbñf "bf sf b"beejuwb"qf s"rñ"tjn vrbñepof "ej"joupobdj"b"tuwddp-"p"r vf rñb"cbtf r vbsñptb"p"bdsjñub/

Ko"phoj"n pep"tbsu"joejt qf otbcjñf"dpotf hvjsf "vob"dpn qbujcñu"gsb"rñ"t usbup"ej"gojuwsb-"p"jñt pwsbjoupobdp-f "hñt usbu"t pupt bouj/"kogub"rñ"cbtf "ej"joupobdp"epwsu"ff ttf sf "qjò"p"n f op"rñdjñub"b"tf dpoeb"ef rñ"ujqprñhjb"ej qspewp"eb"t pwsbqpsf "f-"jo"brñvoj"dbtj-"tbsu"of df ttbsjb-"qsf wf oujbn f ouf-"rñ"t uf tvsb"ej"vo"qsn f s/

Ko"hf of sf "r vf tuj" qspewj" tbsboop" ðojm f ouf "bqqrñubcñj"dp"o"j"n f uej" usbejñpobrñ" djpà" vujñeb"oep" rñ dbñvprñ"hsboef "r vbesb"p"jñgsbu"eb"pqqvsv "dp"o"tjt uf n j"ejwf stj"dpn f "jñsvrñ-"rñ"t qbuprñ-"rñ"t qsvñeb"uwsb-"bm gof "ej"puf of sf "ejwf stj"ff u/

**Accessori per la corretta posa in opera**

Frñf f ouj" r vbrñ hvjef-" bohprñs,qbsbtqjhprñ-" dpqsgjñp-" cboef " e"bssftup-" hvjou" ej" ejrñubñepof " f " ej gsbñepobn f oup"ef vpop"ff ttf sf "vujñeb"sjt qf ujbn f ouf "qf s;

- ðojñubsf "rñ"aqptb"dpn qrbosf "f"of rñjvtup"t qf tt psf "ef rñjoupobdp<
- sjogpsñsf "p"qspuf hñf sf "j"qvou"dsujd"ef rñsjwf tujn f oup"dpn f "hñt qjhprñ<
- uf sn jobsf "jñsjwf tujn f oup"b"joupobdp"jo"vo"r vbrñtjt"qvou"ef rñ"qbsf uf-"bodi f "jo"tjuvñepof bohprñsf-"dpn f "be"ff tñ n qjp"of j"vboj"gof tusb-"pwf "pddpsb"qbt tbsf "eb"vo"joupobdp"ff tuf sop"b"vop jof sop<
- dsf bsf "vob"tprñepof "ej"dpoujovju"of rñsjwf tujn f oup/

Ubrñf rñn f ouj"tpop"jo"qspgñub"gsbu"p"jo"rñn jf sb"t ujsbu-"r vboep"wf ohpop"johrñcñu"ff gñdbdf n f ouf "of rñn n brñ-"brñjñ f ouj"tf "vujñeb"tpqsb"ñjoupobdp-"tpop"qsjw"ej"gsbuwsf /"ko"hf of sf "tpop"sf brñeb"jo"QMD-"rñn jf sb ðjodub-"bddjñp"hbñvbojñeb"-"bddjñp"jopy-"brñn jojp"obuwsrñ-"brñn jojp"qsf wf sojdjñp"p"gf ssp"cbuwp/

K'qspgñj"jo"rñn jf sb"ðjodub"tpop"bebu"jo"qsf tf oeb"ej"n brñ "b"cbtf "ej"dbñf-"dbñf .df n f oup-"df n f oup-hf ttp-"qf s"rñ"n brñ "b"cbtf "ej"hf ttp"tpop"qjò"joejdbu"r vf rñj"jo"brñn jojp-"n f ouf "rñddjñp"jopy"à"jñm buf sjbrñ qjò"vbrñep"qf s"rñ"bn cñf ouj"ff tuf soj"ff "jo"qsf tf oeb"ej"tptboef "bhhsf ttjw/

**Applicazione meccanica dell'intonaco**

Dpo"rñvtp"tf n qsf "qjò"ej"vtp"ej"joupobdj"qsf n jt df rñu"dpn qsf otjw"ej"rñhboj-"jof suj"ff e"beejuw"jepof j"bj ejwf stj"vujñeb"tj"sjevdpop"j"sjt di j"ej"ff ssp"of rñ"n jt df rñepof "ef rñ"r vboju"ef j"dpn qpof ouj"ff "tj"tof rñjdpop"rñ qspdf evsf "ej"bqqrñubñepof /

Kogub"jo"qsf tf oeb"ej"n buf sjbrñ qsf n jt df rñu"dpog ðjopub"jo"t bddi j-"qf s"qsf qbsbsf "f "bqqrñubsf "rñ"n brñ sbqjebn f ouf-"bccjbn p"rñ"aqttjcñu"ej"vujñeb"sf "twsjbu"n bddi jobsj-"dpn f "be"ff tñ n qjp;

- rñn qbtubusjdf "n f ddbojdb"frñusjdb"jo"cbuf sjb"dp"vo"joupobdbusjdf "n f ddbojdb-"qf s"rñn qbt ub bvup bujdp"ef rñ"n jt df rñ<
- rñjoupobdbusjdf "n f ddbojdb"frñusjdb-"bwf ouf "vo"tjt uf n b"qof vn bujdp"qf s"jñtusbtg"sjn f oup"ef rñn buf sjbrñ tvrñmhp"ej"bqqrñubñepof "f"qf s"t qsvñeb"sp"tv rñ"qbsf uf /

M"joupobdbusjdf"tj"ejg sf oeb"op"b"tf dpoeb"di f "qsf tñ oujop;

- jñtusbtg"sjn f oup"ef rñ"n brñ"hjU"dpog ðjopub<
- jñtusbtg"sjn f oup"qf s"dbobrñt f qbsbu"ef rñdr vb"ff "ef rñ"n jt df rñ"t f ddb"dp"n jt df rñepof "gobrñ"jo vt djub;"rñsb"dpn qsf ttb"rñ"n jt df rñ"ej"t bccjbf "rñhbof "jo"vo"uwp-"brñ"dvj"ff tuf n ju"tj"uspwb"vob rñodj"dp"vñf rñjdi f "t qsvñeb"op"bdr vb"of rñ"r vboju"of df ttbsjb"brñ"hjvt ub"rñvpsbcñju"jo"r vf t up dbtp"rñ"n bddi job"g/ohf "bodi f "eb"jn qbtubusjdf \*/

**8.20.5) Controllo del risultato finale**

Boñuwp-"tj"qspdf ef "brñdpouspñ"vjtjvp"ef rñ"t vqf sgdj"joupobdbuf "t pup"rñepof "ef rñ"rñdf "sbef ouf-"qpjdi è- of j"rñ ju"ef rñ"uprñsboef "dpotf ouj"-"rñ"t vqf sgdjf "gobrñ"ef rñjoupobdp"epwsu"sjt vrbñsf ;

- qjbob"ff "qsjvb"ej"jssf hprñsju"ff wjef ouj<
- qsjvb"ej"ff t vsbñepoj"b"vjt ub-"ej"t dsf qprñwsf "p"t cprñuwsf "t vqf sgdjbrñ<
- tñ oeb"gf opn f oj"ej"ff gñpsf tdf oeb<
- dp"o"qf sgf ub"bef t j pof "brñt vqpsup"t pupt bouf "f "opo"epwsboop-"joprusf-"qsf tñ oubsf "brñf sbñepoj f wjef ouj"of rñ"ff wf ouvbrñju"of "t pwsbqqt uf /

Eppq"bwf s"wf sjgdbup"rñ"wf sjdbñju"ff "rñ"qrbosju"ef rñjoupobdp-"tj"qpsf ccf "ff uwsf "jñdpouspñ"ef rñn ff ujb"sf hprñsju"ff pn f usjdb"ef rñsjwf tujn f oup-"bwf oep"dpn f "sjg"sjn f oup"tj"ff hvf ouj"qbsbn f usj;

- wf sjgdb"ef nla"wf sjdbrj"≤"6"n n "n f ejbouf "gpn"b"qjpn cp<
- wf sjgdb"ef nla"qrboobsj"rpdbrn")tdsup"sjt qf up"brtqjbop"uf psjdp\*"≤"5"n n "n f ejbouf "rvt"p"ef rtsf hprp"ej vo"n f usp"bqqrjrbup"jo"uwuj"j"tf otj"tvnla"qbsf uf <
- wf sjgdb"ef nla"sf wjrb"j"ef hrt"qjhprj"ef"j"hjvuj")tdsup"sjt qf up"brnla"rjof b"n f ejb-"qf s"qjbop"p"qf s bruf"eb"ej"wbop\*"≤"6"n n /

**Art. 8.21  
ESECUZIONE DELLE PAVIMENTAZIONI**

Tj"jouf oef "qf s"qbwjn f oub"ejpof "vo"tjtuf n b"f ejp"bwf ouf "r vbrn"tdpqp"r vf mp"ej"dpotf oujsf "p"n jhrjpsbsf "jm usbotjup"f "ra"sf tjtuf oeb"brn"tprndjub"ejpoj"jo"ef uf sn jobuf "dpo"ejpoj"ej"vtp/  
Fttf "tj"jouf oepop"dpow"o"ejpobm f ouf "tveejwjt"of rni"tf hvf ouj"dbuf hpsjf ;  
. qbwjn f oub"ejpoj"tv"tusbup"qpsubouf <  
. qbwjn f oub"ejpoj"tv"uf ssf op" )djpa"epwf "ra" go"ejpof "ej"tusbup"qpsubouf "ef rttjtuf n b"ej" qbwjn f oub"ejpof "à tvprn"ebrtf ssf op\*/

Uf of oep"dpow"ef j"rjm j"tubcjnj"ebrte/Q/S/"49103112"t/n /j/-"r vboep"opo"à"ejwf stbn f ouf "ef tdsjup"of hjn brsj"epdvn f ouj"qspfhf wbrj")p"r vboep"r vf tuj"opo"tpop"tv"gdj"ouf n f ouf "ef ubhrij"tj"jouf oef "di f "djbt dvob ef rni"dbuf hpsjf "tpqsbj"ubuf "tbsj"dpn qptub"ebj"tf hvf ouj"tusbuj" go"ejpobri")Dpt usvujwb"n f ouf "vop"tusbup"qvj bttprn"sf "vob"p"qjò" go"ejpoj\*/

- b\* Mb"qbwjn f oub"ejpof "tv"tusbup"qpsubouf "bwsj"r vbrj"rfn f ouj"p"tusbuj"goebn f oub"rj
- 2\* r"tusbup"qpsubouf "-"dpo"ra" go"ejpof "ej"sf tjtuf oeb"brn"tprndjub"ejpoj" n f ddbojdi f "epwuf "bj" dbsdj j qf sn bof ouj"p"ej"tf sf sj"p<
- 3\* r"tusbup" ej" tdpssjn f oup-"dpo"ra" go"ejpof "ej" dpn qf otbsf "f" sf oef sf "dpn qbu"cj"rj" hrt f wf oubrj tdpssjn f ouj"ej"sf o"ejbrj"usb"tusbuj"dpouj"vj<
- 4\* r"tusbup"sjqbsujpsf "-"dpo" go"ejpof "ej" usbt n uf sf "brn"tusbup"qpsubouf "rni"tprndjub"ejpoj" n f ddbojdi f jn qsf ttf "ebj"dsjdi j"tf sf soj"r vbrn"sb"hrjt"usbuj"dpouj"ouj"ra"qbwjn f oub"ejpof "bccj"bop"dpn qpsubn f ouj n f ddbojdj"tf otj"jrn f ouf "ej"sf o"ej"bj<
- 5\* r"tusbup" ej" dprn"hb n f oup-"dpo" go"ejpof "ej" bodpsbsf "j"rshw"tjn f oup" brn"tusbup" sjqbsujpsf " )p qpsubouf \*<
- 6\* r"tusbup"ej"sjw"tjn f oup"dpn qj"uf tuf ujdj"ef "ej"sf tjtuf oeb"brn"tprndjub"ejpoj" n f ddbojdi f "-"di jn jdi f -f dd/  
B"tf dpob"ef rni"dpoe"ejpoj"ej"vuj"ep"ef rni"tprndjub"ejpoj"qsf wjtuf "j"tf hvf ouj"tusbuj"qpttpop"ejwf oubsf goebn f oub"rj<
- 7\* tusbup" ej" jn qf sn f bcj"r"ebouf "dpo" go"ejpof "ej" ebsf "brn" qbwjn f oub"ejpof "vob" qsf gttbub jn qf sn f bcj"r"v"ej"ebj"wbqpsj<
- 8\* tusbup"ej"jt prn f oup"uf sn jdp"dpn go"ejpof "ej"qpsbsf "ra"qbwjn f oub"ejpof "be"vo"qsf gttbup"jt prn f oup uf sn jdp<
- 9\* tusbup" ej" jt prn f oup" bdtv"jdp" dpo"ra" go"ejpof "ej" qpsbsf "ra" qbwjn f oub"ejpof "be"vo"qsf gttbup jt prn f oup"bdtv"jdp<
- : \* tusbup"ej"dpn qf otb"ejpof "dpo" go"ejpof "ej"dpn qf otbsf "r vpu"-"rni"qf oef oef "-"hrjt"sspsj"ej"qrboobsj"uf e f wf oubrn f ouf "jodpsqpsbsf "jn qjbouj")r vf tup"tusbup"gr"vf ouf n f ouf "i b"bodi f "go"ejpof "ej"tusbup"ej dprn"hb n f oup\*/

- c\* Mb"qbwjn f oub"ejpof "tv"uf ssf op"bwsj"r vbrj"rfn f ouj"p"tusbuj" go"ejpobri)
- 2\* j"r"uf ssf op" )tvprn" dpo" go"ejpof "ej" sf tjtuf sf "brn"tprndjub"ejpoj" n f ddbojdi f "usbt n fttf" ebrnla qbwjn f oub"ejpof <
- 3\* tusbup"jn qf sn f bcj"r"ebouf "p"esf obouf \*<
- 4\* j"r"sjqbsujpsf <
- 5\* tusbup"ej"dpn qf otb"ejpof "f Q"qf oef oeb<
- 6\* j"r"shw"tjn f oup/  
B"tf dpob"ef rni"dpoe"ejpoj"ej"vuj"ep"ef rni"tprndjub"ejpoj"qsf wjtuf "-"brsj"tusbuj"dpn qrn f oubsj"qpttpop fttf sf "qsf wjt uj/

Qf s"ra"qbwjn f oub"ejpof "tv"tusbup"qpsubouf "tbsj"uf gf wub"ra"sf brj"ebouf "ef hrjt"usbuj"vuj"ep"boep"j"n buf sjbrj joejdbuj"of r"qspfhf up"p"opo"tjb"tqf djgdbup"jo"ef ubhrij"of r"qspfhf up"pe"b"tv"p"dpn qrn f oup"tj"sjt qf uf sboop rni"qsf tdsj"ejpoj"tf hvf ouj/

- 2\* Qf s"ra"tusbup"qpsubouf "b"tf dpob"ef rni"tprn"ejpof "dpt usvujwb"bepubub"tj"gsj"sgf sjn f oup"brn"qsf tdsj"ejpoj hjj"ebuf "of r"qsf t f ouf "dbajup"r"ub"tv"rni"tusbuv"sf "ej" dbr"t usvuj"ep-"tusbuv"sf "n f ubrj"di f "-"tv"rni"tusbuv"sf

- n jt uf "bddbjp" f "dbrf tusv" ep- "tvn" t usv uvsf "ej" rnhop- f dd/
- 3\* Qf s' r" t usbu" ej" t d pssj n f oup- "b" tf dpoeb" ef r" t p r v e j p o f " d p t u s v u j w b " b e p u b u b - " t j " d s u " s j g s j n f o u p " b r n " q s f t d s j e p o j " h j u " e b u f " q f s " j " q s p e u j " r v b j r l " r b " t b c c j b - " n f n c s b o f " b " c b t f " t j o u f u j d b " p " c j w n j o p t b - " g h r j l e j d b s u b " p " d b s u p o f - " h f p u f t t j r l p " q b o o f r j l e j " g c s f - " e j " v f u s p " p s p d d j b /  
Evsbouf " r " s f b r j e e j p o f " t j " d v s f s u " r " d p o u j o v j u " e f r " t u s b u - " r " d p s s f u b " t p w s b q q p t j e j p o f " p " s f b r j e e j p o f e f j " h j v o u j " f " r " t f d v e j p o f " e f j " c p s e j - " s j t v p r j - " f d d /
- 4\* Qf s' r" t usbu" s j q b s u j p s f - " b " t f d p o e b " e f r " t p r v e j p o f " d p t u s v u j w b " b e p u b u b - " t j " d s u " s j g s j n f o u p " b r n " q s f t d s j e p o j " h j u " e b u f " q f s " j " q s p e u j " r v b j r l d b r f t u s v e j " b s n b u j " p " o p o - " n b r f " d f n f o u j e j f - " r t u s f q s f d c c s j d b u f " e j " d b r f t u s v e j " b s n b u p " p " o p o - " r t u s f " p " q b o o f r j l b " c b t f " e j " r n h o p /  
Evsbouf " r " s f b r j e e j p o f " t j " d v s f s u " p r u s f " b r n " d p s s f u b " f t f d v e j p o f " e f r " t u s b u " j o " r v b o u p " b " d p o u j o v j u " f t q f t t p s f - " r " s f b r j e e j p o f " e j " h j v o u j " f " c p s e j " f " e f j " q v o u j " e j " j o u f s f o e b " d p o " f r n n f o u j " v f s j d b r j l p " d p o q b t t b h h j " e j " f r n n f o u j " j n q j b o u t u j d j " j o " n p e p " e b " f w j u s f " b e j p o j " n f d d b o j d i f " r d b r j e b u f " p e " j o d p n q b u j c j r u l d i j n j d p " g t j d i f /  
Tbsu j o g o f " d v s b u " d i f " r " t v q f s g d j f " g o b r n " b c c j b " d b s u f s j t u d i f " e j " q r b o b s j u " s v h p t j u " f d d / " b e f h v b u f " q f s r " t u s b u " t v d d f t t j v p /
- 5\* Qf s' r" t usbu" ej" d p r n h b n f o u p - " b " t f d p o e b " e f r " t p r v e j p o f " d p t u s v u j w b " b e p u b u b - " t j " d s u " s j g s j n f o u p " b r n " q s f t d s j e p o j " h j u " e b u f " q f s " j " q s p e u j " r v b j r l n b r f - " b e f t j w j " p s h b o j d j " f o p " d p o " c b t f " d f n f o u j e j b " f - " o f j " d b t j q b s j d p r j s j - " b r n " q s f t d s j e p o j " e f r " t a s p e v u p s f " q f s f r n n f o u j " e j " g t t b h h j p - " n f d d b o j d j " p e " b r u s p " u j a p /  
Evsbouf " r " s f b r j e e j p o f " t j " d v s f s u " r " v o j g o s n f " f " d p s s f u b " e j t u s j c v e j p o f " e f r " t a s p e p u p " d p o " s j g s j n f o u p " b h r j n t q f t t p s j " f o p " r v b o u j u " d p o t j h r j o u f " e b r " t a s p e v u p s f " j o " n p e p " e b " f w j u s f " f d d f t t p " e b " s j g v u p " p e " j o t v g g d j f o e b d i f " q v i " q s p w p d b s f " t d b s t " s f t j t u f o e b " p e " b e f t j p o f " / " t j " w s j g d i f s u " j o p r u s f " d i f " r " q p t b " b w f o h b " d p o " h r j n t u s v n f o u j " f " o f r n " d p o e j e p o j " b n c j f o u b r j l " u f n q f s b u s b - " v n j e j u " \* f " q s f q b s b e j p o f " e f j " t v q p s u j " t v h h f s j u " e b m q s p e v u p s f " ) o p s n b " V O K ' 2 1 4 3 : \* /
- 6\* M b " s f b r j e e j p o f " e f j " s j w t u j n f o u j " e p w s u " t f h v j s f " r n " q s f t d s j e p o j " e f r " t a s p h f u p " f o p " e f r " E j s f e j p o f " M w p s j " b e p q f s b " e j " q p t b u p s j " d p o " d p o p t d f o e f - " b c j r u l " f " d p n q f u f o e f " d p o g o s n j " b r n " o p s n b " V O K ' 2 2 8 2 5 . 3 < " b " t f d p o e b e f r " t p r v e j p o f " d p t u s v u j w b " b e p u b u b " t j " d s u " s j g s j n f o u p " b r n " q s f t d s j e p o j " h j u " e b u f " o f r " o s j d p r " t v j " q s p e u j q f s " q b w j n f o u b e j p o j /  
Evsbouf " r " d t f " e j " q p t b " t j " d v s f s u " r " d p s s f u b " f t f d v e j p o f " e f h j l f w f o u b r j l n p u j v j " p s o b n f o u b r j n " r " q p t b e f h j l f r n n f o u j " e j " d p n q r n u b n f o u p " f o p " b d d f t t p s j - " r " d p s s f u b " f t f d v e j p o f " e f j " h j v o u j - " e f r n " e p o f " e j j o u f s f o e b " ) c p s e j - " f r n n f o u j " v f s j d b r j l " f d d / " o p o d i e " r n " d b s u f s j t u d i f " e j " q r b o b s j u " p " d p n v o r v f " e f r n d p o g o s n b e j p o j " t v q f s g d j b r j l s j t q f u p " b r n " q s f t d s j e p o j " e j " q s p h f u p - " o p o d i e " r n " d p o e j e p o j " b n c j f o u b r j l e j " q p t b f e " j " u f n q j " e j " n b u s b e j p o f /
- 7\* Qf s' r" t usbu" ej" j n q f s n f b c j r j e e j p o f - " b " t f d p o e b " d i f " b c c j b " g o e j p o f " e j " u f o v l b " b r n d r v b - " c b s s j f s b " p t d i f s n " b r h v b q p s f - " w b r n p o p " r n " j o e j d b e j p o j " g o s j u f " q f s " r v f t u j " t u s b u j " b r n o s j d p r " % E s e c u z i o n e d i C o p e r t u r e C o n t i n u e ( P i a n e ) %
- 8\* Qf s' r" t usbu" ej" j t p r n f o u p " u f s n j d p " w b r n p o p " r n " j o e j d b e j p o j " g o s j u f " q f s " r v f t u p " t u s b u " b r n o s j d p r " % E s e c u z i o n e d i C o p e r t u r e C o n t i n u e ( P i a n e ) %
- 9\* Qf s' r" t usbu" ej" j t p r n f o u p " b d v t u d p - " b " t f d p o e b " e f r " t p r v e j p o f " d p t u s v u j w b " b e p u b u b - " t j " d s u " s j g s j n f o u p q f s " j " q s p e u j " b r n " q s f t d s j e p o j " h j u " e b u f " o f r " o q q p t j u p " b s j d p r /  
Evsbouf " r " d t f " e j " q p t b " j o " p q f s b " t j " d v s f s u " j r h s j t q f u p " e f r n " j o e j d b e j p o j " q s p h f u w b r j l f " d p n v o r v f " r " d p o u j o v j u " e f r " t u s b u " d p o " r " d p s s f u b " s f b r j e e j p o f " e f j " h j v o u j " t p w s b q q p t j e j p o j - " r " s f b r j e e j p o f " b d d v s b u b e f j " s j t v p r j " b j " c p s e j " f " o f j " q v o u j " e j " j o u f s f o e b " d p o " f r n n f o u j " w f s j d b r j l " o f r " d b t p " e j " q b w j n f o u p " d p t j e e f u p h b r n h h j b o u f " j " s j t v p r j " e p w s b o o p " d p o u f o f s " u u j " h j l t u s b u j " t p w s b t u b o u j \* / " T b s u j " w f s j g d b u p - " o f j " d b t j e f r " v j r e e j " e j " t v q p s u j " e j " h p n n b - " t v h i f s p - " f d d / - " j r h d p s s f u p " q p t j e j p o b n f o u p " e j " r v f t u j " f r n n f o u j " f e " j q s p c r n j " e j " d p n q b u j c j r u l " h f d d b o j d b - " d i j n j d b - " f d d / - " d p o " r " t u s b u " t p u p t u b o u f " f " t p w s b t u b o u f /
- : \* Qf s' r" t usbu" ej" d p n q f o t b e j p o f " e f r n " r v p u f " w b r n p o p " r n " q s f t d s j e p o j " e b u f " q f s " r " t u s b u " e j " d p r n h b n f o u p ) q f s " h j l t u s b u j " t p u j j " f o p " q f s " r " t u s b u " s j q b s u j p s f " ) q f s " h j l t q f t t p s j " n b h h j p s j " e j " 3 1 " n n \* /

Qf s' r" q b w j n f o u b e j p o j " t v " u f s s f o p - " r " s f b r j e e j p o f " e f h j l t u s b u j " t b s u j " f g f u w b u b " v j r e e j o e p " j " n b u f s j b r j l j o e j d b u j o f r " t a s p h f u p - " p w " o p o " t j b " t q f d j g d b u p " j o " e f u b h r j p " o f r " t a s p h f u p " p e " b " t v p " d p n q r n n f o u p " t j " s j t q f u f s b o o p " r n q s f t d s j e p o j " t f h v f o u j /

2\* Qf s' r" t usbu" d p t u j u j u p " e b r h u f s s f o p " t j " q s p w f e f s u " b r n " p q f s b e j p o j " e j " b t q p s b e j p o f " e f j " w f h f u b r j l f " e f r " t u s b u " d p o u f o f o u f " r n " r p s p " s b e j d j " p " d p n v o r v f " s j d d p " e j " t p t u b o e f " p s h b o j d i f / " T v r n " c b t f " e f r n " t v f d b s u f s j t u d i f " e j " q p s b o e b - " r j m j u f " r j n v j e p - " q r l t u d j u - " n b t t b " v p r n j d b - " f d d / " t j " q s p d f e f s u " b r n " p q f s b e j p o j e j " d p t u j q b n f o u p " d p o " p q q p s u o j " n f e e j " n f d d b o j d j - " b r n " g o s n b e j p o f " e j " f w f o u b r n " d p s s f e j p o f " f o p t p t u j e j p o f " ) u s b u b n f o u p \* e f r " t u s b u " t v q f s j p s f " q f s " d p o g f s j h r j l b e f h v b u f " d b s u f s j t u d i f " n f d d b o j d i f - " e j d p n q p s b n f o u p " b r n d r v b - " f d d / " K o " d b t p " e j " e v c c j p " p " d p o u f t u b e j p o f " t j " d s u " s j g s j n f o u p " b r n " o p s n f " D O S t v r n " d p t u s v e j p o j " t u s b e b r j l

3\* Qf s' r" t usbu" j n q f s n f b c j r j e e b o u f " p " e s f o b o u f " ) r v f t u p " t u s b u " b t t p r v " r v b t j " t f n q s f " b o d i f " g o e j p o f " e j t u s b u " e j " t f q b s b e j p o f " f o p " t d p s s j n f o u p " \* t j " d s u " s j g s j n f o u p " b r n " q s f t d s j e p o j " h j u " g o s j u f " q f s " j " n b u f s j b r j n

- r vbrjltbccjb-"hi jbb-"qjf usjtdp-"f dd/"brn"opns f "DOS"tvnfn"dptusvEjpoj"tusbebrjlf e"brn"opns f "VOK" f Qp DOS"qf s"j"uf ttvj"opouf ttvj")hf puf ttjrt/"Qf s"rnf tf dvEjpoj"ef rnt"usbu"tj"bepuf sboop"pqapsuwoj"eptbhj hsbvorn f usdj"ej"tbccjb-"hi jbb" f "qjf usjtdp"jo"n pep"eb" dpoqf sjsf "brn"t usbu"sf tjtuf oEb"n f ddbojdb-sf tjtuf oEb" brhf rnt" rjn ju" ej" qrtutjdl" bef hvbu/" Qf s" rnt"t usbu"sf brnEbu" dpo" hf puf ttjrt"tj" dvsf sU" rnt dpojovjdl"ef rnt"t usbu-"rnt"tvb"dpotjtf oEb" f "rnt"dpssf ub" f tf dvEjpoj"ef j"cpsej" f "ef j"qvouj"ej"jodpousp" dpo pqf sf "ej"sbddpnb"ef rnt"bdr vf -"t usvuvsf "vf sjdbrn" f dd/
- Ko"dbtp"ej"evccjp"p"dpouf t ubEjpoj"tj" dpsU"sjf sjn f oup"brn"opns f "DOS"tvnfn"dptusvEjpoj"tusbebrj/
- 4\* Qf s"rnt"t usbu"sjqbsjupsf "ef j" dbsjdi j"tj" dpsU"sjf sjn f oup"brn"qsf tdsjEjpoj"dpouf ovuf "tjb"qf s"j"n buf sbrjltjb qf s" rnt" rnsf"sf brnEjpoj" dpo"n jtj"df n f oubj-"tprnuf"ej" dbrdf t usvEep-"dpohrn f sbj" cjuv joptj-"brn opns f "DOS"tvnfn"dptusvEjpoj"tusbebrj"Ko"hf of sbrn"tj" dvsf sU" rnt"dpssf ub" f tf dvEjpoj"ef rnt"qf tt psj-"rnt dpojovjdl"ef rnt"t usbu-"rnt"sf brnEjpoj"ef j"qvouj"ef j"cpsej" f "ef j"qvouj"qbsjdprnsj/
- 5\* Qf s"rnt"t usbu"ej" dpo qf otbEjpoj" f Qp"qf oef oEb"vbrnpop"rnt"joejdbEjpoj"gpsojuf "qf s"rnt"t usbu"sjqbsjupsf <à bn n fttp" di f " f ttp"tjb" f tf hvju"bodi f "tvddf ttjvbn f ouf "brn"t usbu"sjqbsjupsf "qvdsi è"tjb"vujEbu n buf sbrn"jef oujdp"p" dpo vor vf "dpo qbjcjrnt" f "tjbop" f vjbu" g opn f oj"ej"jodpn qbjcjrnt"gtjdb"p"di jn jdb"p dpo vor vf "t dbst" bef sf oEb"epwub"bj"uf n qj"ej"qsf tb"n buwsbEjpoj" f Qp"brn"dpoejEjpoj"drjn bujdi f "bn n pn f oup"ef rnt"tf dvEjpoj /
- 6\* Qf s"rnt"t usbu"ej"sjv f tjn f oup"vbrnpop"rnt"joejdbEjpoj"gpsojuf "of rnt"sjdprnt"tvj"qspewj"qf s"qbvn f oubEjpoj )dpohrn f sbj" cjuv joptj-" n bttf uj" dbrdf t usvEep-" qj f uf -" f dd/\*/" Evsbouf " rnt"tf dvEjpoj" tj" dvsf sU" b tf dpoeb"ef rnt"tprnEjpoj" dpt usvujwb"qsf tdsjub"ebrtqshf up-"rnt"joejdbEjpoj"gpsojuf "ebrtqshf up"tuf ttp" f dpo vor vf "tj" dvsf sU"jo"qbsjdprnsf -"rnt" dpojovjdl" f "sf hrnsjdl"ef rnt"t usbu")qrbobsjdl"ef gsn bEjpoj"rntbrn qf oef oef -" f dd/\*-" rnt"tf dvEjpoj"ef j"cpsej" f "ef j"qvouj"qbsjdprnsj/"Tj" dvsf sU"jopnsf " rnt" qj f hp"ej" dsjuf sj" f n bddi jof "tf dpoep"rnt"jt usvEjpoj"ef rnt"spewupsf "ef rnt" buf sbrn" f e"jrtjt qf up"ef rnt"dpoejEjpoj"drjn bujdi f "f ej"tj dvsf Eeb" f "ef j"uf n qj"ej"qsf tb" f "n buwsbEjpoj /

Uvuj"j"qspewj" f Qp"n buf sbrjltj" dvj"brtqsf tf of "bsjdprnt"r vbrnsb"qpttbop" f ttf sf "epubj"ej"n bsdwub"DF tf dpoep"rnt"opns bujwb"uf dojdb"vjhf ouf -"epwsboop" f ttf sf "n vojv"ej"ubrn"n bsdj /p/

**Art. 8.22  
DEMOLIZIONI E RIMOZIONI**

M "ef n prjEjpoj"ej"n vsbuvsf -" dbrdf t usvEep-" f dd/"tjb"qbsEjbrj"di f " dpo qrtuf -" ef wpop" f ttf sf " f tf hvju" dpo psejof " f " dpo" rnt"of df ttbsj" qsf dbvEjpoj-"jo"n pep"eb"opo"eboof hhjbsf " rnt"sf tjev" n vsbuvsf -"eb"qsf wf ojsf r vbrjltj"jogpsuwoj"bhjbeef uj"brntvpsf" f "eb" f vjbsf "jodpn pej-"ebooj"dpntuf sbrjlt"ejt uscp/

Sjn bof "qf subou"wjf ubu"ej"hf ubsf "ebntvps"j"n buf sbrjltjo"hf of sf -"di f "jow"df "ef wpop" f ttf sf "usbtqpsubj"p hvjebu"jo"cbttf-"f "ej"tprn"vbsf "qprvf sf -"qf s"dvj"ubou"rnt"n vsbuvsf "r vboup"j"n buf sbrjltj"sjt vrb"epwsboop" f ttf sf pqapsuobn f ouf "cbhobj/

Of rnt"ef n prjEjpoj" f "sin pEjpoj"rnt"qqbntupsf "ef wf "jopnsf "qspwef ef sf "brn" f wf oubjlt"of df ttbsj"qvouf rnt"vsvf qf s"tptuf of sf "rnt"qbsj"di f "ef wpop"sf tbsf "f "ejtqpsf "jo"n pep"eb"opo"ef uf sjpsbsf "j"n buf sbrjltj"vrbouj-"j"r vbrn ef wpop"bodpsb"qpu stj"jn qj f hbsf "of j" rjn ju"dpodpsbu" dpo" rnt"Ejsf Ejpoj"ef j"mvpsj-"t pup"qf ob"ej"sjvbrtb"ej ebooj"b" dwpvf "ef rnt"tubEjpoj" Bqqbrntouf /

M "ef n prjEjpoj"epwsboop"rjn jubstj"brn"qbsj" f e"brn"ejn f otjpoj"qsf tdsjuf /"Rvboep-"bodi f "qf s"n bodboEb"ej qvouf rnt" f ouj"p"ej"brn"qsf dbvEjpoj-"wf ojt tf sp"ef n prj"brn"qbsj"pe"prnsf qbtbtj"j"rjn ju"gttbtj-"tbsboop"qvsv b" dvsb" f " tqf tf" ef rnt"qqbntupsf -" tf oEb" brntvo" dpo qf otp-" sjdpt usvuj" f " sin f ttf " jo" sjqstjup" rnt" qbsj joef cjuv f ouf "ef n prj /

Uvuj" j" n buf sbrjltj"sjvujEbcjrn" b" hvjeEj" jotjoebdbcjrn" ef rnt" Ejsf Ejpoj" ef j" mvpsj-" ef wpop" f ttf sf pqapsuobn f ouf "qvruj-"dvtupej-"usbtqpsubj" f e"psejbu"of j" mphi j"ej"ef qptjup"di f "vf ssboop"joejdbj"ebrnt ejsf Ejpoj" tuf ttb-"vtboep" dbvuf rnt" qf s"opo"eboof hhjbsj"tjb"of rnt"qvrujEbcjrn"tjb"of rnt"usbtqpsu-"tjb"of j" rnsf bttf tbn f ouj" f "qf s" f vjbsf "rnt"ejt qf stjpoj /

Ef uj"n buf sbrjltj"tubop"uvuj"ej"qspqsjf dl"ef rnt"tubEjpoj" Bqqbrntouf -"rnt"r vbrn"qpusj"psejbsf "brnt"qqbntupsf ej"jn qj f hbsj"jo"uvup"pe"jo"qbsf "of j"rnt"vpsj"bqqbrntouf/

K"n buf sbrjltj"ej"tbsu" qspwef oj f ouj"ebrn"ef n prjEjpoj" f "sin pEjpoj"ef wpop"tf n qsf "ebrnt"qqbntupsf " f ttf sf usbtqpsubj" g/psj"ef rnt"ubouj"sf "of j"qvouj"joejdbj"pe"brn"qvccrjdi f "ejt dbsjdi f /



---

# INDICE

## LAVORI EDILI

---

<b>1) Oggetto, ammontare e forma dell'appalto - Descrizione, forma, dimensioni e variazioni delle opere</b> .....	<b>2</b>
.....P hhf up"ef n"bqqbrp.....	<u>3</u>
.....Gpsn b"ef n"bqqbrp.....	<u>3</u>
.....Bn n poubsf "ef n"bqqbrp.....	<u>4</u>
.....Bggjebn f oup"f "dpousbup.....	<u>5</u>
.....Gpsn b"f "qsjodjqbrj"ejn f otjpoj"ef n"n"pqf sf.....	<u>5</u>
.....N pejgdi f "f "vbsjboj"jo"dpstp"ej"tf dv"ejpof.....	<u>6</u>
<b>2) Disposizioni particolari riguardanti l'appalto</b> .....	<b>7</b>
.....P ttf swbo"ef n"bqqbrp"tqf djbrn"e(bqqbrp"ef "ej"qbsjdp"rbsj"ejt qpt j"ejpoj.....	<u>8</u>
.....E pdvn f ouj"di f "gboop"qbsf "ef n"dpousbup"ef "ejt dpsebo"ef.....	<u>8</u>
.....R vbrjgdb"ejpof "f "sf r vjt juj"qf s"hrj"tf dv"upsj"ej"r"bwpj.....	<u>21</u>
.....Bwbrj"m f oup.....	<u>23</u>
.....Bujwj"u"ef n"r"ej"sf upsf "ef j"r"bwpj.....	<u>24</u>
.....Vggjdp"ej"ej"sf "ejpof "r"bwpj.....	<u>25</u>
.....Bddf ub"ejpof "ef j"n buf sjbrj.....	<u>26</u>
.....E pdvn f ouj"dpoubcjrn.....	<u>27</u>
.....Qspshbn n b"ej"tf dv"ejpof "ef j"r"bwpj". "Dspopqspshbn n b". "Qjbop"ej"r vbrju.....	<u>28</u>
.....Dpotf hob"ef j"r"bwpj.....	<u>28</u>
.....Tptqf otjpoj"ef "u sn jof "ej"vrjn b"ejpof "r"bwpj.....	<u>2:</u>
.....Ftf dv"ejpof "ef j"r"bwpj"of n"b"p"ej"qspdf evsf "ej"jot pmw"oeb.....	<u>31</u>
.....Sjt pmw"ejpof "ef n"dpousbup.....	<u>31</u>
.....Hsbo"ejb"qspwjt psjb.....	<u>32</u>
.....Hsbo"ejb"ef gojujwb.....	<u>33</u>
.....Dpqf suw"sf "bt tjdvsbujw.....	<u>34</u>
.....Ejt djqrj"ob"ef n"tvc bqqbrp.....	<u>35</u>
.....Qf obrj"tf "qsf n j"ej"bddf rfsb"ejpof.....	<u>37</u>
.....Tjdv"sf "eb"ef j"r"bwpj.....	<u>37</u>
.....P cc rjhi j"ef n"bqqbrp"bupsf "sf r"bujw"brn"usbdjbcjrn"u"ef j"gnv"tj"gobo"ejbsj.....	<u>39</u>
.....Bouj"jqb"ejpof ". "N pebrj"u"ef "u sn jof"ej"qbhbn f oup"ef n"dpssjt qf ujwp.....	<u>39</u>
.....Dpou"p"gobrn". "Bwjt p"bj"dsf ejupsj.....	<u>41</u>
.....Vrnj b"ejpof "r"bwpj". "dprn"v"ep"uf dojdp.bn n jojt usbujwp.....	<u>41</u>
.....Df sujgdbup"ej"dpn"v"ep.....	<u>43</u>
.....Df sujgdbup"ej"sf hprn"sf "f tf dv"ejpof.....	<u>45</u>
.....P of sj"ef "pcc rjhi j"ejw"stj"b"db"sjdp"ef n"bqqbrp"bupsf ". "Sf tqpot bcjrn"u"ef n"bqqbrp"bupsf.....	<u>45</u>
.....Dbsf n"r"b"n"t"uf sop"ef n"dbouj"sf.....	<u>47</u>
.....Qspqsjf u"ef j"n buf sjbrj"ej"tf dbw"b"ejpof "f "ej"ef n prj"ejpof.....	<u>47</u>
.....Sjowf ojn f ouj.....	<u>47</u>
.....Csf wf uj"ej"jowf o"ejpof.....	<u>48</u>
.....Hf tujpof "ef n"n"dpouf t"ub"ejpoj"ef "sjt"sf w.....	<u>48</u>
.....Ejt qpt j"ejpoj"hf of sbrj"sf r"bujw" "bj"qsf "ej.....	<u>51</u>
.....D"r"v"t"prn"ej"sf wjt jpof "ef j"qsf "ej.....	<u>52</u>
.....P ttf swbo"eb"sf hprn f oup"VF"n buf sjbrj.....	<u>53</u>

<b>3) Norme per la misurazione e valutazione dei lavori</b>	<b>43</b>
....."Opsn f "hf of sbrjn	<u>54</u>
....."Tdbwj"jo"hf of sf	<u>54</u>
....."Sjrfwbuj" f "sjouf ssj	<u>55</u>
....."Sjn pējpoj-"ef n pējpoj	<u>55</u>
....."Sjf n qjn f ouj" dpo"n jt up"hsbovrbsf	<u>55</u>
....."Nvsbwsf "jo"hf of sf	<u>55</u>
....."Dbrdf t usvĕĕj	<u>56</u>
....."Dpohrpn f sbup"df n f oujēj"bsn bup	<u>56</u>
....."Tprbj	<u>56</u>
....."Vprdf	<u>57</u>
....."Dpouspt pgguj	<u>57</u>
....."Wf tqbj	<u>57</u>
....."Nbt tf uj	<u>57</u>
....."Qbwjn f ouj	<u>57</u>
....."Qpouf hhj	<u>57</u>
....."P qf sf "eb"qjupsf	<u>57</u>
....."Sjwf t ujn f ouj"ej"qbsf uj	<u>58</u>
....."Gpsojwsb"jo"pqf sb"ef j"n bsn j-"qjf usf "obwsbrj"pe"bsjgdjbrjn	<u>58</u>
....."Koupobdj	<u>58</u>
....."Ujouf hhjbwsf -"dprpsjwsf "f "wf soj djbwsf	<u>59</u>
....."Kogt tj	<u>59</u>
....."Mwpsj"ej"n f lbnp	<u>59</u>
....."Kn qjbouj"uf sn jdp-"jesjdp.tbojbsjp-"bojodf oejp-"hbt-"joobggjbn f oup	<u>59</u>
....."Kn qjbouj" f rhujsdp" f "uf rfgpojdp	<u>61</u>
....."P qf sf "ej"bt tj tuf oēb"bhrj"jn qjbouj	<u>62</u>
....."N bopepqf sb	<u>62</u>
....."Oprfhhj	<u>63</u>
....."Usbt qpsj	<u>63</u>
....."N buf sbrj"lb"qjà"e(pqf sb	<u>63</u>
<b>4) Qualità dei materiali e dei componenti</b>	<b>53</b>
....."Opsn f "Hf of sbrj". "Rvbrij"l. "Kn qjf hp" f "Bddf ubējppof "ef j" N buf sbrjn	<u>64</u>
....."Bdr vb-"Dbrdj-"Df n f ouj" f e" Bhhrpn f sbuj"df n f oujēj	<u>64</u>
....."N buf sbrj"tjof suj"qf s" Dpohrpn f sbuj"df n f oujēj" f "qf s" N brdf	<u>65</u>
....."Frñn f ouj"ej" Mbu f sjēj" f "Dbrdf t usvĕĕp	<u>66</u>
....."Vbrmbējppof "qsf rjm jobsf "dbrdf t usvĕĕp	<u>66</u>
....."N buf sbrj" f "Qspepuj"qf s" Vt p" Tusvuw sbrñ	<u>66</u>
....."Vbrmbējppof "qsf rjm jobsf "dbrdf t usvĕĕp	<u>67</u>
....."Dbrdf t usvĕĕp"qf s"vtj"t usvuw sbrj"bsn bup" f "opo-"opsn brñ" f "qsf dpn qsf ttp	<u>67</u>
....."Bddjbjp	<u>68</u>
....."Bddjbjp"qf s"vtj"t usvuw sbrj	<u>71</u>
....."Qspepuj"ej" Qjf usf "Obwsbrj"p" Sjdpt usvjuf	<u>72</u>
....."Qspepuj"qf s" Qbwjn f oubējppof	<u>74</u>
....."Qspepuj"ej" Wf usp") Mbt usf -"Qspgirbu"be" V" f "Wf usj" Qsf tt buj	<u>78</u>
....."Qspepuj" E jwf stj") Tjhjmbouj-"Bef tjwj-"Hf puf tt jrt	<u>7:</u>
....."Kogt tj	<u>81</u>
....."Qpsf "tdpsf vprjn	<u>83</u>
....."Kogt tj" f tuf soj" f e"jouf soj"qf s" j"ejtbcjrn	<u>84</u>
....."Qspepuj"qf s" Sjwf t ujn f ouj" kouf soj" f e" Ftuf soj	<u>85</u>
....."Qspepuj"qf s" kt prbn f oup" Uf sn jdp	<u>87</u>

....."N buf sbrjtj pnbouj"obw sbrjn .....	<a href="#">8:</a>
....."Bshjnb" f t qbot b .....	<a href="#">8:</a>
....."Dboob"qbmt usf .....	<a href="#">8:</a>
....."Gjcsb"ej"dbobqb .....	<a href="#">8:</a>
....."Gjcsb"ej"df mmpat b .....	<a href="#">91</a>
....."Gjcsb"ej"dpddp .....	<a href="#">91</a>
....."Gjcsb"ej"rnhop .....	<a href="#">91</a>
....."Gjcsb"ej"rnhop"n jof sbrjtj .....	<a href="#">92</a>
....."Gjcsb"ej"rjop .....	<a href="#">92</a>
....."Mbob"ej"qf dpsb .....	<a href="#">93</a>
....."Mbob"ej"spddjb .....	<a href="#">93</a>
....."Qf sbrjtj" f t qbot b .....	<a href="#">93</a>
....."Qpn jdf .....	<a href="#">94</a>
....."Tvhi f sp .....	<a href="#">94</a>
....."Wf sn jdvrtj" f t qbot b .....	<a href="#">95</a>
....."Wf usp"df mrrbsf .....	<a href="#">95</a>
....."Dbspohf ttp .....	<a href="#">95</a>
....."Qspepuj"qf s"Qbsf uj"ft uf sof "f "Qbsu"ejpoj"kouf sof .....	<a href="#">96</a>
....."P qf sf "jo"dbspohf ttp .....	<a href="#">97</a>
....."Qspepuj"qf s"qspuf "ejpof -"jn qf sn f bcjn"ejpof "f "dpot prjebn f oup .....	<a href="#">99</a>
....."Qspepuj"qf s"kt prbn f oup"bdrv tujdp .....	<a href="#">: 6</a>
<b>5) Impiantistica .....</b>	<b><a href="#">96</a></b>
....."Kn qjbouj". "Hf of sbrjtb( .....	<a href="#">: 7</a>
....."Dpn qpof ouj"ef mkn qjbouj"ej"Beev"ejpof "ef mkn bdr vb .....	<a href="#">: 7</a>
....."Bqqbsf ddi j"tbojbsj .....	<a href="#">: 7</a>
....."Svcjof uj"tbojbsj .....	<a href="#">: 8</a>
....."Tdsjdi j"ej"bqqbsf ddi j"tbojbsj" f "tjgpoj")n bovbri"bvupn bujdj* .....	<a href="#">: 9</a>
....."Uvcj"ej"Sbddpsep"Sjhjej" f "Gfntjcjji)qf s"jndp rnhbn f oup"usb"j"lwcj"ej"beev"ejpof "f "rb .....	<a href="#">: 9</a>
svcjof uf sjb"tbojbsj* .....	<a href="#">: 9</a>
....."Svcjof uj"b"Qbt t p"sbqjep" f "Gmt t pn f usj")qf s"psjobupj-"wbtj" f "wpubupj* .....	<a href="#">: 9</a>
....."Dbt t f uf "qf s"mkn bdr vb")qf s"wbtj-"psjobupj" f "wpubupj* .....	<a href="#">: :</a>
....."Uvc"ejpoj" f "Sbddpsej .....	<a href="#">: :</a>
....."Wb mprbn f -"Wb mprfn"ej"opo"Sjupsop-"Qpn qf .....	<a href="#">: :</a>
....."Bqqbsf ddi j"qf s"qspev"ejpof "ej"bdr vb"dbreb .....	<a href="#">: :</a>
....."Bddvn vrjef mkn bdr vb" f "tjt uf n j"ej" f rnhw"ejpof "ef mkn"qsf ttjpoj" e(bdr vb .....	<a href="#">211</a>
....."Ft f dv"ejpof "ef mkn qjbouj"ej"Beev"ejpof "ef mkn bdr vb .....	<a href="#">211</a>
....."Kn qjbouj"ej"tbsjdp"Bdr vf "Vt buf .....	<a href="#">213</a>
....."Tf swj"ej"jhj f ojdj"qf s"j"ejt bcjrn .....	<a href="#">216</a>
....."Hf of sbrjtb" f "opsn bujwb .....	<a href="#">217</a>
....."Bn cijf ouf "cbhop .....	<a href="#">218</a>
....."Mwbcp .....	<a href="#">219</a>
....."Wbt p" f "cjef u .....	<a href="#">21:</a>
....."E pdjdb .....	<a href="#">221</a>
....."Wbt db"eb"cbhop .....	<a href="#">222</a>
....."Svcjof uf sjb .....	<a href="#">223</a>
....."Kn qjbouj"ej"tbsjdp"Bdr vf "N f uf psjdi f .....	<a href="#">223</a>
....."Kn qjbouj" f rnu s jdp .....	<a href="#">225</a>
....."Dbsbuf sjt ydi f "f "r vbrjw"ef j"n buf sbrjn .....	<a href="#">226</a>
....."Koejdb"ejpoj"hf of sbrjn .....	<a href="#">226</a>
....."Dbsbuf sjt ydi f "uf dojdi f "ej"jn qjbouj" f "dpn qpof ouj .....	<a href="#">226</a>
....."Bddf ub"ejpof "ef j"n buf sbrjn .....	<a href="#">227</a>

....."Dbwj .....	227
....."Dpn boej" f "qsf tf "b"tqjob.....	231
....."Rvbesj"Frhusjdj.....	232
....."Kouf ssvupsj"n bhof upf sn jdj" f "ejgg sf oEjbrj.....	233
....."Qspw" ef j"Nbuf sbrj.....	233
....."Ftf dvEjprof" ef j"rbwpsj.....	235
....."Sf r vjtju"ej"sjt qpoef oE"b"opns f -"rnhhj" f "sf hprbn f ouj.....	235
....."Qsf t dsEjpoj"sjhvbsebouj"j"dsdvju" f rhusjdj.....	235
....."Ejsf Ejprof" ef j"rbwpsj.....	236
....."Qot b"jo"pqf sb"ef n"dbobriEjpoj.....	236
....."Qot b"jo"pqf sb"ef j"dbwj" f rhusjdj.....	238
....."Qsf t dsEjpoj"qbsjdprbsj"qf s"ndbrj"eb"cbhop.....	23:
....."Tjt uf n j"ej"qspuf Ejprof" ef n"n qjbou" f rhusjdp.....	241
....."Qspuf Ejprof" eb"n"t dbsjdi f "bun ptgf sji f.....	243
....."Qspuf Ejprof" dpousp"j" sbejpejt wscj.....	243
....."Tubc jreEjprof" ef n"Uf otjprof.....	244
....."N bhjhpsEjpoj" Ejn f otjprobri"sjt qf up"bj"wbpsj"n jopsj"dpotf ouju" eb"n"Opsn f "DFK" f "ej M hhf .....	244
....."Dppsejobn f oup" dpo"rfr"pqf sf "ej"t qf djbrEjprof" f ejrn.....	244
....."Nbuf sbrj"ej"sjt qf up.....	244
....."Wf sjgdi f "f" Qspwf" jo" D/P/" ef hrijkn qjbouj.....	245
....."Kogbt usv wwsEjprof" "ejhjubrfr" ef hrijf ejgdj.....	245
....."Sf r vjtju.....	245
....."Dpn qprof ouj.....	246
....."DTP F.....	246
....."RET B.....	247
....."TUP B.....	247
....."Dbcrbhhjp"pujdp.....	247
....."Kn qjbou"ej"Drjm bujEjprof.....	248
....."Hf of sbrjnb(.....	248
....."Tjt uf n j"ej"Drjm bujEjprof.....	248
....."Dpn qprof ouj" ef hrijkn qjbou"ej"Drjm bujEjprof.....	249
....."Nbddi jof "gshpsjg sf "f" qpn qf "ej"dbpsf.....	249
....."Qsf n fttb.....	249
....."Qsf t ubEjprof" f of shf ydb.....	24:
....."Qsjodjajp"ej"yoEjprobn f oup" f "dbsbuf sjt ydi f "ef n"n bddi jof "gshpsjg sf Qapn qf "ej"dbpsf b"dpn qsf ttjprof" ej"wbqpsf.....	24:
....."Nbddi job" gshpsjg sbQapn qb"ej"dbpsf "bsjb. bsjb.....	252
....."Hsvqaj" gshpsjg sj"b"sf dvqf sp") qbsEjbrfr"p"uplbrfr*.....	253
....."Tjt uf n j"qprjwbrfouj.....	254
....."Dpogpoup"usb"n bddi jof "gshpsjg sf Qapn qf "ej"dbpsf" f rhusjdi f "f" b" hbt.....	255
....."Qsjodjajp"ej"yoEjprobn f oup" f "dbsbuf sjt ydi f "ef n"n bddi jof "gshpsjg sf Qapn qf "ej"dbpsf be"bt tpscjn f oup.....	255
....."Ujqprphjf" ej"n jtdf ra.....	256
....."DjsdprEjprof" ef j"Grnjej.....	257
....."Ejt usjcvEjprof" ef j"Grnjej"Uf sn pwf upsj.....	257
....."Bqqbsf ddi j"qf s"ra"Drjm bujEjprof.....	258
....."Ft qbotjprof" ef n"edr vb"of n"kn qjbou.....	259
....."Sf hprEjpoj" Bvupn bujdi f.....	259
....."Brjm f ouEjprof" f "Tdbsjdp" ef n"kn qjbou.....	259
....."Mb" Ejsf Ejprof" ef j"Mbwpjsj.....	25:
....."Kn qjbou" Boujodf oejp". "P qf sf "qf s"ra" Qsf wf oEjprof" Kodf oejj.....	25:

.....Hf of sbrjnb(	<a href="#">25:</a>
.....Qpsf "Ubhrjbgypdp	<a href="#">25:</a>
.....Tjtuf n j"Sjwf rbejpopf "Kodf oej	<a href="#">263</a>
.....Tf hobrbupsj"ej"Bmnsn f	<a href="#">264</a>
.....Nf eej"Bojodf oej	<a href="#">264</a>
.....Wf oujrbepof "f "Dpoepuj"ej"Ft usbejpopf	<a href="#">265</a>
.....Dbsuf mpojt ydb"ej"Tjdvf eeb"Busf eebw/sf "Bojodf oejp	<a href="#">266</a>
.....Kn qjboup"ej"Wf oujrbepof "Nf ddbojdb"Dpouspmb	<a href="#">267</a>
.....Qsf n fttb	<a href="#">267</a>
.....Opsn bujvb	<a href="#">267</a>
.....Qsjodqjpej"gvoejpopbn f oup". "Kotubmbejpopf ". "Ujqprphj	<a href="#">268</a>

**6) Criteri Ambientali Minimi (CAM) D.M. 23 giugno 2022 - Criteri ambientali minimi per l'affidamento del servizio di progettazione ed esecuzione di interventi edilizi** [159](#)

.....Qsf n fttb	<a href="#">271</a>
.....Dsjf sj"qf s"rbogjebn f oup"ef j"rbwpsj"qf s"jouf swf ouj"fejre	<a href="#">272</a>
.....4/2"Drvt prf"dpousbwbrj"qf s"rf"hsf "ej"rbwpsj"qf s"jouf swf ouj"fejre	<a href="#">272</a>

**7) Materiali contenenti amianto** [163](#)

.....Hf of sbrju	<a href="#">274</a>
.....M "bujvjw"FTFEK	<a href="#">274</a>
.....Qsf tdsjejpoj"pqf sbujw "qf s"rb"tjdvf eeb	<a href="#">275</a>
.....Qspdf ttp"ej"hf tujpopf "f "cpojgdb	<a href="#">277</a>
.....Koejwjevbejpopf "ef hijf rfn f ouj"qpufoejbm f ouf "dpouf of ouj"bn jboup	<a href="#">277</a>
.....Qsphsn n b"ej"jtqf eejpopf -"n baqbwsb"fb"dbn qjpopbn f oup"ef j"n buf sbrj"dpouf of ouj"bn jboup	<a href="#">278</a>
.....Dbn qjpopbn f oup	<a href="#">278</a>
.....Dbn qjpopbn f oup"bn cij oubrf	<a href="#">279</a>
.....Wmbejpopf "ef rtsjtdi jp	<a href="#">27:</a>
.....Sf tlvsp"ef j"n buf sbrjn	<a href="#">281</a>
.....Uf dojdi f "ej"cpojgdb	<a href="#">281</a>
.....Sjn pejpopf	<a href="#">281</a>
.....2*"Hrpwf "cbh	<a href="#">283</a>
.....Kodbqtvrn f oup	<a href="#">284</a>
.....2*"Sjwf tujn f ouj"jodbqtvrboj	<a href="#">285</a>
.....Dpogobn f oup	<a href="#">286</a>
.....Tn brjn f oup"ef j"sjgvj	<a href="#">286</a>

**8) Modo di esecuzione di ogni categoria di lavoro** [179](#)

.....P ddvqbepof -"baq swsb"ft"gvubn f oup"ef rfn"dbwf	<a href="#">28:</a>
.....Tdbvj"jo"Hf of sf	<a href="#">28:</a>
.....Hf tujpopf "ef j"dbouf sj"ej"ajddprf"ejn f otjpoj	<a href="#">291</a>
.....Tdbvj"ej"Tcbodbn f oup	<a href="#">291</a>
.....Sjrfwbj"fb"Sjouf ssj	<a href="#">292</a>
.....Ef n prjejpoj"fejrf "Sjn pejpoj	<a href="#">292</a>
.....Qsf n fttb"qspfh wvbrf	<a href="#">293</a>
.....Ef n prjejpopf "n bovbrf"fb"n f ddbojdb	<a href="#">293</a>
.....Ef n prjejpopf "tf rfuujvb	<a href="#">294</a>
.....Sjn pejpopf "ej"frfn f ouj	<a href="#">295</a>
.....Qsf tdsjejpoj"qbsjdbpsj"qf s"rb"ef n prjejpopf	<a href="#">295</a>
.....P qf sf "fb"Tuwvwsf "ej"Nvsbwsb	<a href="#">296</a>
.....Hf of sbrjnb(	<a href="#">296</a>
.....Nbrf "qf s"Nvsbwsf	<a href="#">296</a>

....."N vsbuw sf "jo"Hf of sf ;"Dsjuf sj"Hf of sbrj'qf s'rf"ftf dvEjpoj	297
....."N vsbuw sb"Qpsubouf ;"Ujqprphj f "Dbsbuf sjt ydi f "Uf dojdi f	299
....."N vsbuw sb"Qpsubouf ;"Frin f ouj"Sf tjt uf ouj"jo"N vsbuw sb	29:
....."N vsbuw sf "Qpsubouj;"P shbojEjpojof "Tusuw sbrn	2: 2
....."Qpsbn f ouj"qf s'rf"N vsbuw sf "jo"Qjf usbn f	2: 2
....."Dpt usEjpoj"ej"Brasj"N buf sbrjn	2: 3
....."Dpt usEjpojof "ef rnf"Vprnf	2: 4
....."N vsbuw sf "f "Sjf n qjn f ouj"jo"Qjf usbn f "b" Tf ddp". "Wf tqbj	2: 4
....."Wf tqbj" f "Kouf sdbqf ejoj	2: 4
....."P qf sf "f "Tusuw sf "ej"Dbndf tusEjpoj	2: 5
....."Hf of sbrjnb(	2: 5
....."Opsn f "qf s'jrnf n f oup"bsn bup"opsn brn	2: 5
....."Sf tqpotbcjru'qf s'rf"pqf sf "jo"dbndf tusEjpoj"bsn bup" f "dbndf tusEjpoj"bsn bup"qsf dpn qsf ttp	2: 6
....."Dbndf tusEjpoj"ej"bhhsf hbyj'rfhhf sj	2: 7
....."Tusuw sf "jo"Bddbjjp	2: 7
....."Hf of sbrjnb(	2: 7
....."Bddbjjp"qf s"Dbndf tusEjpoj"Bsn bup	2: 9
....."Bddbjjp"qf s" Tusuw sf "N f brndf f "f "qf s" Tusuw sf "Dpn qpt uf	2: :
....."Mof b'vjub	313
....."Hf of sbrjnb" f "opsn bujvb	313
....."M"sf brjEjpojof "ef rnf"rjof b'vjub	314
....."K'dpn qpot ouj"ej"vob"rjof b'vjub	315
....."Ejt qptjuvj"ej"bodpsbhhjp	315
....."N pebrjnb"ej"bdcf ttp"brndf"rjof b'vjub	317
....."Tjt uf n j"ej"Sjwf tujn f ouj"Kouf soj" f e" Ft uf soj	318
....."Tjt uf n j" Sf brjEjpoj" dpo"Qspeuw" Sjhjej	318
....."Opsn f "Ftf dvujw" qf s'jrnfEjjsf upsf "ef j" Mbvpsj	319
....."Qotb"ej"jogitj	319
....."Gjttbhj"ef rnf ssn f oup	31:
....."Sf brjEjpojof "ef j" hvouj	321
....."N buf sbrjnb" rjof b'vjub" qptb	322
....."P qf sf "ej" Wf usEjpojof	323
....."Tusuw sf "jo" Wf usp	324
....."P qf sf "eb" Dbsqf ouj sf	328
....."P qf sf "ej" Ujof hhjw sb- "Wf sojdjw sb" f "Dprpsjw sb	329
....."P qf sf "eb" Twddbupsf	332
....."Ftf dvEjpojof "ef rnf" Qbsf uj" Ft uf sof "f " QbsjEjpoj" Kouf sof	332
....."Ftf dvEjpojof "ej" joupobdj	334
....."Qsf n f ttb	334
....."K'dpn qpot ouj" ef rnf" oupobdp	334
....."Dndf t jgdEjpojof "f " Ujqprphj f "ej" joupobdp	335
....."N pebrjnb" ej" f tf dvEjpojof	335
....."Dpouspmp" ef rnf" sjt vrbup" gobrn	338
....."Ftf dvEjpojof" ef rnf" Qbwjn f ouEjpoj	339
....."Ef n prjEjpoj" f "Sjn pEjpoj	341